



**865200 (HSSRC11M)**

Mobile conveyor, short rollers, 1145 mm

**863052 (HSSRC12M)**

Mobile conveyor, short rollers, 1245 mm

**863053 (HSSRC13M)**

Mobile conveyor, short rollers, 1345 mm

**863054 (HSSRC14M)**

Mobile conveyor, short rollers, 1445 mm

**863055 (HSSRC15M)**

Mobile conveyor, short rollers, 1545 mm

**865201 (HSSRC16M)**

Mobile conveyor, short rollers, 1645 mm

**863056 (HSSRC17M)**

Mobile conveyor, short rollers, 1745 mm

**863057 (HSSRC18M)**

Mobile conveyor, short rollers, 1845 mm

**863058 (HSSRC19M)**

Mobile conveyor, short rollers, 1945 mm

**863059 (HSSRC20M)**

Mobile conveyor, short rollers, 2045 mm

**865202 (HSSRC21M)**

Mobile conveyor, short rollers, 2145 mm

**863060 (HSSRC22M)**

Mobile conveyor, short rollers, 2245 mm

**863061 (HSSRC23M)**

Mobile conveyor, short rollers, 2345 mm

**863062 (HSSRC24M)**



Mobile conveyor, short rollers, 2445 mm

**863063 (HSSRC25M)**

Mobile conveyor, short rollers, 2545 mm

**863064 (HSSRC26M)**

Mobile conveyor, short rollers, 2645 mm

## Description

---

Constructed in 304 AISI stainless steel. Basin with sloping bottom.

Short plastic rollers. Square 40x40mm square legs.

N. 4 swiveling casters, 2 with brakes, 125mm in diameter.

Designed for 500x500mm dishwashing baskets.

Knock-down delivery.

Integrated end plate and end limit switch.

## Main Features

---

- Designed to transport 500x500 mm dishwashing baskets.
- Supplied knocked-down and easy to assemble.
- Manual rack movement with short rollers.
- Connection of mobile conveyors after a 180° dishwasher driven curve.
- End limit switch and end plate included.
- "Click-in" connection to the dishwasher curve.
- Connection of end-limit switch to the dishwasher.
- Four legs included with swivel type casters plus "click-in" connection to the dishwasher curve easily removable for quick access. Two casters equipped with brakes to stabilize the position of the conveyor during normal operation.
- The table can be used in unloading side.

## Construction

---

- All surfaces smooth with polished finish.
- AISI 304 1,2mm stainless steel basin.
- 40x40mm stainless steel tubular and square legs.
- Conveyors optionally equipped with guides for racks and plain shelves.
- Swivel type 125 mm castors, of which 2 with brakes.
- Sloping drain below the conveyor leads to the central draining point with a connected dishwasher curve.

## Sustainability

---

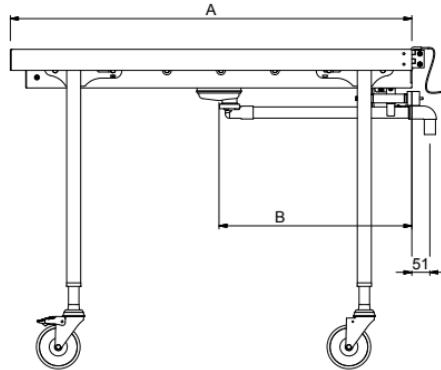
- The mobile roller conveyor available from 1145mm (for 2 racks) up to 2645mm (for 5 racks) with 100mm-step length.



# Technical specifications

8652 8630 8630 8630  
00 52 53 54

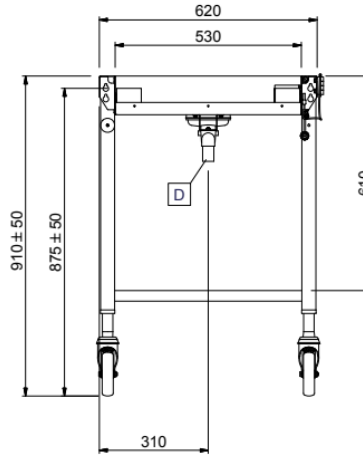
Front



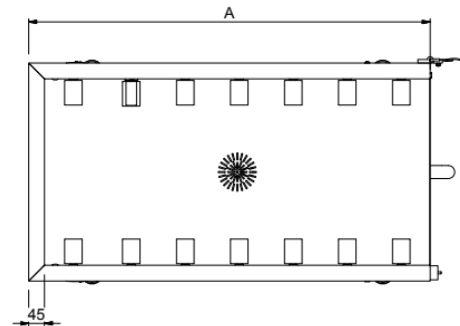
**Key Information:**

External dimensions, Width:	1145 mm	1200 mm	1300 mm	1400 mm
External dimensions, Depth:	620 mm	620 mm	620 mm	620 mm
External dimensions, Height:	910 mm	910 mm	910 mm	910 mm
Net weight:	21 kg	22 kg	22.71 kg	24 kg
Height adjustment:	50/50 mm	50/50 mm	50/50 mm	50/50 mm

Side



Top



DO = Overflow drain pipe



Find out more:  
ISO Certificates  
[Electrolux Professional Recognitions](#)

The company reserves the right to make modifications to the products without prior notice. All information correct at time of printing.

2026/06/10

3/5

# Technical specifications

## Optional Accessories

PNC Code	Description
<b>Handling system</b>	
863090	Plain undershelf for mobile roller conveyor, 1245 mm (only for 863053, 863054, 863056, 863057, 863058, 863059, 863060, 863062, 863063, 863064, 863061, 863055, 863052, 865202, 865201)
863091	Plain undershelf for mobile roller conveyor, 1345 mm (only for 865201, 865202, 863055, 863061, 863064, 863063, 863062, 863060, 863059, 863058, 863057, 863056, 863054, 863053)
863092	Plain undershelf for mobile roller conveyor, 1445 mm (only for 863054, 863056, 863057, 863058, 863059, 863060, 863062, 863063, 863064, 863061, 863055, 865202, 865201)
863093	Plain undershelf for mobile roller conveyor, 1545 mm (only for 865201, 865202, 863055, 863061, 863064, 863063, 863062, 863060, 863059, 863058, 863057, 863056)
863094	Plain undershelf for mobile roller conveyor, 1745 mm (only for 863056, 863057, 863058, 863059, 863060, 863062, 863063, 863064, 863061, 865202)
863095	Plain undershelf for mobile roller conveyor, 1845 mm (only for 865202, 863061, 863064, 863063, 863062, 863060, 863059, 863058, 863057)
863096	Plain undershelf for mobile roller conveyor, 1945 mm (only for 863058, 863059, 863060, 863062, 863063, 863064, 863061, 865202)
863097	Plain undershelf for mobile roller conveyor, 2045 mm (only for 865202, 863061, 863064, 863063, 863062, 863060, 863059)
863098	Plain undershelf for mobile roller conveyor, 2245 mm (only for 863060, 863062, 863063, 863064, 863061)
863099	Plain undershelf for mobile roller conveyor, 2345 mm (only for 863061, 863064, 863063, 863062)
863100	Plain undershelf for mobile roller conveyor, 2445 mm (only for 863062, 863063, 863064)
863101	Plain undershelf for mobile roller conveyor, 2545 mm (only for 863064, 863063)
863102	Plain undershelf for mobile roller conveyor, 2645 mm (only for 863064)
863116	Grid undershelf for mobile roller conveyor, 1245 mm (only for 863064, 863063, 863061, 863055, 863052, 865202, 865201, 863062, 863060, 863059, 863058, 863057, 863056, 863054, 863053)
863117	Grid undershelf for mobile roller conveyor, 1345 mm (only for 863053, 863054, 863056, 863057, 863058, 863059, 863060, 863062, 865201, 865202, 863055, 863061, 863063, 863064)
863118	Grid undershelf for mobile roller conveyor, 1445 mm (only for 863064, 863063, 863061, 863055, 865202, 865201, 863062, 863060, 863059, 863058, 863057, 863056, 863054)
863119	Grid undershelf for mobile roller conveyor, 1545 mm (only for 863056, 863057, 863058, 863059, 863060, 863062, 865201, 865202, 863055, 863061, 863063, 863064)
863120	Grid undershelf for mobile roller conveyor, 1745 mm (only for 863064, 863063, 863061, 865202, 863062, 863060, 863059, 863058, 863057, 863056)
863121	Grid undershelf for mobile roller conveyor, 1845 mm (only for 863057, 863058, 863059, 863060, 863062, 865202, 863061, 863063, 863064)
863122	Grid undershelf for mobile roller conveyor, 1945 mm (only for 863064, 863063, 863061, 865202, 863062, 863060, 863059, 863058)
863123	Grid undershelf for mobile roller conveyor, 2045 mm (only for 863059, 863060, 863062, 865202, 863061, 863063, 863064)
863124	Grid undershelf for mobile roller conveyor, 2245 mm (only for 863064, 863063, 863061, 863062, 863060)
863125	Grid undershelf for mobile roller conveyor, 2345 mm (only for 863062, 863061, 863063, 863064)
863126	Grid undershelf for mobile roller conveyor, 2445 mm (only for 863064, 863063, 863062)
863127	Grid undershelf for mobile roller conveyor, 2545 mm (only for 863063, 863064)



Find out more:  
ISO Certificates  
[Electrolux Professional Recognitions](#)

The company reserves the right to make modifications to the products without prior notice. All information correct at time of printing.

2026/06/10

4/5

# Technical specifications

PNC Code	Description
<b>Handling system</b>	
863128	Grid undershelf for mobile roller conveyor, 2645 mm (only for 863064)
865223	Guide rack for 4 dishwasher baskets, 1100 mm - 1500 mm
865224	Guide rack for 8 dishwasher baskets, 1600 mm - 2000 mm (only for 863056, 863057, 863058, 863059, 863060, 863062, 865201, 865202, 863061, 863063, 863064)
865225	Guide rack for 12 dishwasher baskets, 2100 mm - 2500 mm (only for 863064, 863063, 863061, 865202, 863062, 863060)
865226	Guide rack for 16 dishwasher baskets, 2600 mm (only for 863064)
865227	Plain undershelf for mobile roller conveyor, 1145 mm
865228	Plain undershelf for mobile roller conveyor, 1645 mm (only for 863056, 863057, 863058, 863062, 863059, 863060, 863061, 865201, 865202, 863063, 863064)
865229	Plain undershelf for mobile roller conveyor, 2145 mm (only for 863064, 863063, 865202, 863061, 863060, 863062)
865235	Connection bracket for plain undershelf and grid undershelf (to be used if roller conveyor is connected directly to Rack Type Dishwasher with splash hood) (only for 863062, 863060, 863059, 863058, 863057, 863056, 863054, 863053, 863061, 863055, 863052, 865200, 865202, 863063, 863064)
865240	Grid undershelf for mobile roller conveyor, 1145 mm
865241	Grid undershelf for mobile roller conveyor, 1645 mm (only for 863062, 863060, 863059, 863058, 863057, 863056, 863061, 865201, 865202, 863063, 863064)
865242	Grid undershelf for mobile roller conveyor, 2145 mm (only for 863064, 863063, 865202, 863061, 863060, 863062)

## Recommended Detergents

PNC Code	Description
0S2092	C11 Detergent for dishwashers; one pack of 2 cans of 5lt.
0S2093	C13 ECO Detergent for dishwashers; one pack of 2cans of 5lt.
0S2094	C12 Rinse aid for dishwashers; one pack of 2 cans of 5lt.
0S2281	C11 Detergent for dishwashers; 1 can of 20lt.
0S2362	C30 Multipurpose descaler; one pack of 2 cans of 5lt.
0S2904	C15 ECO Rinse aid for dishwashers; one pack of 2 cans of 5lt.



Find out more:  
[ISO Certificates](#)  
[Electrolux Professional Recognitions](#)

The company reserves the right to make modifications to the products without prior notice. All information correct at time of printing.

2026/06/10

5/5