

863065 (HSSRDB9)

Short roller conveyor with deep basin, 900 mm

863066 (HSSRDB10)

Short roller conveyor with deep basin, 1000 mm

863067 (HSSRDB12)

Short roller conveyor with deep basin, 1200 mm

863068 (HSSRDB13)

Short roller conveyor with deep basin, 1300 mm

863069 (HSSRDB14)

Short roller conveyor with deep basin, 1400 mm

863070 (HSSRDB15)

Short roller conveyor with deep basin, 1500 mm

865210 (HSSRDB8)

Short roller conveyor with deep basin, 800 mm

865211 (HSSRDB11)

Short roller conveyor with deep basin, 1100 mm

865212 (HSSRDB16)

Short roller conveyor with deep basin, 1600 mm

Description

Constructed in 304 AISI stainless steel. Basin with sloping bottom, drain, waste strainer and bucket

Short rollers in plastic on the top of the basin. Square 40x40mm square legs with height-adjustable feet. Designed for 500x500mm dishwashing baskets. Knock-down delivery.



Main Features

- Designed to transport 500x500 mm dishwashing baskets.
- Conveyors supplied as knockdown and easy to assemble.
- Another rack conveyor or a dishwasher can be connected on the left or the right
- "Key holes" and "snap on" system reduces the number of screws needed for fast and easy installation.
- "Snap on" system reduces the number of screws needed.
- Smooth manual rack movement on short rollers.
- Suitable to install either a single unit with dishwasher or combined with other tables.
- The table is suitable for both rack type and hood type dishwasher. Rack type dishwasher can be connected directly to the table, while there are optional accessories to adapt the table with hood type dishwasher.

Construction

- All surfaces smooth with polished finish.
- Thick welded flanges for sturdy connection between the units.
- Two legs included.
- AISI 304 1,2mm stainless steel basin.
- Self-bearing undershelf eliminates the need for additional frames.
- Sloping bottom of the table grants a smooth and rapid drainage.
- 40x40mm stainless steel tubular and square legs.
- Stainless steel strainer to collect the food waste, then easy to remove for clean.
- Stainless steel waste bucket included.
- Stainless steel feet 50 mm adjustable in height to align the operation height between the dishwasher and table.

Sustainability

- The table can be used in loading side.
- The short roller conveyor with deep basin is available from 800mm up to 1100mm with 100mm-step length

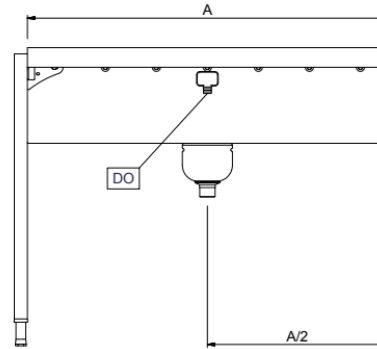


Technical specifications

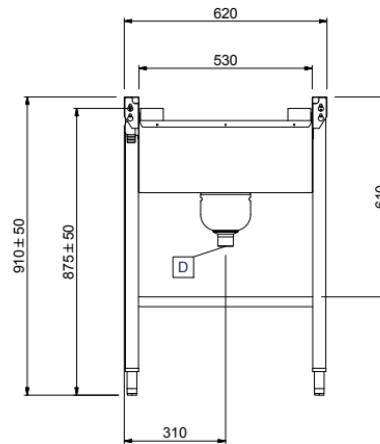
8630 8630 8630 8630 Front
65 66 67 68

Key Information:

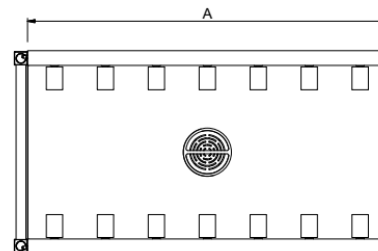
External dimensions, Width:	900 mm	1000 mm	1200 mm	1300 mm
External dimensions, Depth:	620 mm	620 mm	620 mm	620 mm
External dimensions, Height:	910 mm	910 mm	910 mm	910 mm
Net weight:	19 kg	21 kg	23 kg	25 kg
Height adjustment:	50/50 mm	50/50 mm	50/50 mm	50/50 mm



Side



Top



D = Drain

DO = Overflow drain pipe



Find out more:
ISO Certificates
[Electrolux Professional Recognitions](#)

The company reserves the right to make modifications to the products without prior notice. All information correct at time of printing.

2026/06/10

3/5

Technical specifications

Optional Accessories

PNC Code	Description
Handling system	
863077	Plain undershelf for roller conveyor, 1200 mm (only for 863067, 863068, 863069, 863070, 865212)
863078	Plain undershelf for roller conveyor, 1300 mm (only for 865212, 863070, 863069, 863068)
863079	Plain undershelf for roller conveyor, 1400 mm (only for 863069, 863070, 865212)
863080	Plain undershelf for roller conveyor, 1500 mm (only for 865212, 863070)
863103	Grid undershelf, 1200 mm (only for 863070, 865212, 863069, 863068, 863067)
863104	Grid undershelf, 1300 mm (only for 863068, 863069, 865212, 863070)
863105	Grid undershelf, 1400 mm (only for 863070, 865212, 863069)
863106	Grid undershelf, 1500 mm (only for 865212, 863070)
865162	Emergency stop kit for Rack Type Dishwasher (not for Basic handling system)
865163	Connection plate (short) for left side to connect handling system to hood type
865164	Connection plate (long) for front and right side to connect handling system to hood type
865217	End plate for conveyor table
865219	Plain undershelf for roller conveyor, 600 mm
865220	Plain undershelf for roller conveyor, 1100 mm (only for 863067, 863068, 863069, 865212, 865211, 863070)
865221	Plain undershelf for roller conveyor, 1600 mm (only for 865212)
865230	Shut-off valve (suitable for the basin conveyor to close drain)
865234	Connection bracket for plain undershelf and grid undershelf (to be used if roller conveyor is connected directly to Rack Type Dishwasher)
865235	Connection bracket for plain undershelf and grid undershelf (to be used if roller conveyor is connected directly to Rack Type Dishwasher with splash hood)
865236	Grid undershelf, 600 mm
865237	Grid undershelf, 1100 mm (only for 865212, 863070, 865211, 863069, 863068, 863067)
865238	Grid undershelf, 1600 mm (only for 865212)
865452	Plain undershelf for roller conveyor, 800 mm
865453	Grid undershelf, 800 mm
Other accessories	
865253	Inclined extension table for roller conveyor



Technical specifications

Recommended Detergents

PNC Code	Description
0S2092	C11 Detergent for dishwashers; one pack of 2 cans of 5lt.
0S2093	C13 ECO Detergent for dishwashers; one pack of 2cans of 5lt.
0S2094	C12 Rinse aid for dishwashers; one pack of 2 cans of 5lt.
0S2281	C11 Detergent for dishwashers; 1 can of 20lt.
0S2362	C30 Multipurpose descaler; one pack of 2 cans of 5lt.
0S2904	C15 ECO Rinse aid for dishwashers; one pack of 2 cans of 5lt.



Find out more:
[ISO Certificates](#)
[Electrolux Professional Recognitions](#)

The company reserves the right to make modifications to the products without prior notice. All information correct at time of printing.

2026/06/10

5/5