



863143 (HSBCC5)

Cord conveyor for baskets, 500 mm

863144 (HSBCC6)

Cord conveyor for baskets, 600 mm

863145 (HSBCC7)

Cord conveyor for baskets, 700 mm

863146 (HSBCC8)

Cord conveyor for baskets, 800 mm

863147 (HSBCC9)

Cord conveyor for baskets, 900 mm

863148 (HSBCC10)

Cord conveyor for baskets, 1000 mm

863149 (HSBCC11)

Cord conveyor for baskets, 1100 mm

863150 (HSBCC12)

Cord conveyor for baskets, 1200 mm

863151 (HSBCC13)

Cord conveyor for baskets, 1300 mm

863152 (HSBCC14)

Cord conveyor for baskets, 1400 mm

863153 (HSBCC15)

Cord conveyor for baskets, 1500 mm

863154 (HSBCC16)



Cord conveyor for baskets, 1600 mm

863155 (HSBCC17)

Cord conveyor for baskets, 1700 mm

863156 (HSBCC18)

Cord conveyor for baskets, 1800 mm

863157 (HSBCC19)

Cord conveyor for baskets, 1900 mm

863158 (HSBCC20)

Cord conveyor for baskets, 2000 mm

863159 (HSBCC21)

Cord conveyor for baskets, 2100 mm

863160 (HSBCC22)

Cord conveyor for baskets, 2200 mm

863161 (HSBCC23)

Cord conveyor for baskets, 2300 mm

863162 (HSBCC24)

Cord conveyor for baskets, 2400 mm

863163 (HSBCC25)

Cord conveyor for baskets, 2500 mm

Description

Constructed in 304 AISI stainless steel. Square 40x40mm tubular legs on height-adjustable feet. Designed to be connected with rack type dishwasher using 500x500mm baskets.

Main Features

- Cord system generates smooth basket movement and improves hygiene.
- Range built in modules to allow a large number of conveyor combinations.
- Available as optional accessory a remote easy-to reach emergency-stop buttons fitted where required.
- Drive Unit can sustain up to 10 m; for longer distances Central Units are needed.
- Conveyor speed is controlled by the dishwasher and the system automatically follows the machine speed.
- Designed to be connected with rack type dishwasher.
- The unit is part of the complete motorized handling system which can be installed either on loading and/ or unloading sides providing automatic loading and unloading the baskets for better ergonomic operation.
- The straight cord conveyor for basket is available from 500mm up to 2500mm with 100mm-step length.
- Remote easy-to-reach emergency stop buttons fitted where required.



Construction

- 304 AISI stainless steel construction throughout.
- All surfaces smooth with polished finish.
- Thick welded flanges for sturdy connection between the units.
- 40x40mm stainless steel tubular and square legs.
- S/S plain conveyor base for easy cleaning.
- 15 mm polyurethane cord, for easy cleaning.
- Constructed in AISI 304 1,5mm stainless steel.
- 15mm reinforced polyurethane cord, for smooth and easy running.
- System equipped with accessories: end-limit switch, double strainer boxes and basin wash.
- Designed for 500x500mm baskets.
- Included strainer basket to collect The food waste for easy to clean.

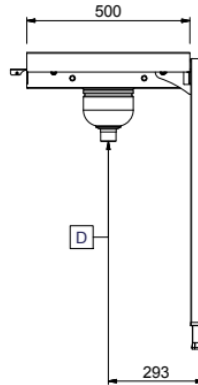


Technical specifications

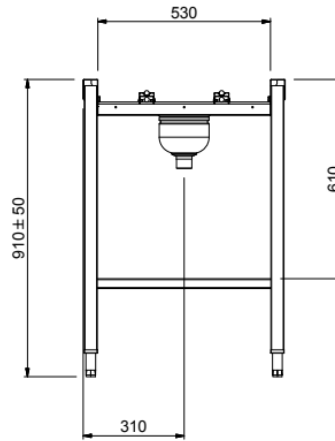
8631 8631 8631 8631 Front
43 44 45 46

Key Information:

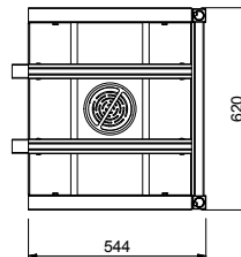
External dimensions, Width:	500 mm	600 mm	700 mm	800 mm
External dimensions, Depth:	620 mm	620 mm	620 mm	620 mm
External dimensions, Height:	910 mm	910 mm	910 mm	910 mm
Net weight:	11 kg	12 kg	13 kg	14 kg
Height adjustment:	50/50 mm	50/50 mm	50/50 mm	50/50 mm
Basin material:				
Type of rollers:				



Side



Top



D = Drain

DO = Overflow drain pipe

CE



Find out more:
ISO Certificates
[Electrolux Professional Recognitions](#)

The company reserves the right to make modifications to the products without prior notice. All information correct at time of printing.

2026/06/01

4/6

Technical specifications

Optional Accessories

PNC Code	Description
Handling system	
863077	Plain undershelf for roller conveyor, 1200 mm (only for 863151, 863152, 863153, 863154, 863155, 863156, 863157, 863159, 863160, 863161, 863162, 863163, 863158, 863150)
863078	Plain undershelf for roller conveyor, 1300 mm (only for 863158, 863163, 863162, 863161, 863160, 863159, 863157, 863156, 863155, 863154, 863153, 863152, 863151)
863079	Plain undershelf for roller conveyor, 1400 mm (only for 863152, 863153, 863154, 863155, 863156, 863157, 863159, 863160, 863161, 863162, 863163, 863158)
863080	Plain undershelf for roller conveyor, 1500 mm (only for 863158, 863163, 863162, 863161, 863160, 863159, 863157, 863156, 863155, 863154, 863153)
863081	Plain undershelf for roller conveyor, 1700 mm (only for 863155, 863156, 863157, 863159, 863160, 863161, 863162, 863163, 863158)
863082	Plain undershelf for roller conveyor, 1800 mm (only for 863158, 863163, 863162, 863161, 863160, 863159, 863157, 863156)
863083	Plain undershelf for roller conveyor, 1900 mm (only for 863157, 863159, 863160, 863161, 863162, 863163, 863158)
863084	Plain undershelf for roller conveyor, 2000 mm (only for 863158, 863163, 863162, 863161, 863160, 863159)
863085	Plain undershelf for roller conveyor, 2200 mm (only for 863160, 863161, 863162, 863163)
863086	Plain undershelf for roller conveyor, 2300 mm (only for 863163, 863162, 863161)
863087	Plain undershelf for roller conveyor, 2400 mm (only for 863162, 863163)
863088	Plain undershelf for roller conveyor, 2500 mm (only for 863163)
863103	Grid undershelf, 1200 mm (only for 863163, 863162, 863158, 863150, 863161, 863160, 863159, 863157, 863156, 863155, 863154, 863153, 863152, 863151)
863104	Grid undershelf, 1300 mm (only for 863151, 863152, 863153, 863154, 863155, 863156, 863157, 863159, 863160, 863161, 863158, 863162, 863163)
863105	Grid undershelf, 1400 mm (only for 863163, 863162, 863158, 863161, 863160, 863159, 863157, 863156, 863155, 863154, 863153, 863152)
863106	Grid undershelf, 1500 mm (only for 863153, 863154, 863155, 863156, 863157, 863159, 863160, 863161, 863158, 863162, 863163)
863107	Grid undershelf, 1700 mm (only for 863163, 863162, 863158, 863161, 863160, 863159, 863157, 863156, 863155)
863108	Grid undershelf, 1800 mm (only for 863156, 863157, 863159, 863160, 863161, 863158, 863162, 863163)
863109	Grid undershelf, 1900 mm (only for 863163, 863162, 863158, 863161, 863160, 863159, 863157)
863110	Grid undershelf, 2000 mm (only for 863159, 863160, 863161, 863158, 863162, 863163)
863111	Grid undershelf, 2200 mm (only for 863163, 863162, 863161, 863160)
863112	Grid undershelf, 2300 mm (only for 863161, 863162, 863163)
863113	Grid undershelf, 2400 mm (only for 863163, 863162)
863114	Grid undershelf, 2500 mm (only for 863163)
863170	10 m cord for cord conveyor (mandatory - to be ordered according to the length of the complete layout)
863171	30 m cord for cord conveyor (mandatory - to be ordered according to the length of the complete layout)
863172	50 m cord for cord conveyor (mandatory - to be ordered according to the length of the complete layout)



Find out more:
ISO Certificates
[Electrolux Professional Recognitions](#)

The company reserves the right to make modifications to the products without prior notice. All information correct at time of printing.

2026/06/01

5/6

Technical specifications

PNC Code	Description
Handling system	
865143	Kit for cord welding
865162	Emergency stop kit for Rack Type Dishwasher (not for Basic handling system)
865219	Plain undershelf for roller conveyor, 600 mm (only for 863147, 863146, 863145, 863144, 863149, 863148, 863151, 863152, 863153, 863154, 863155, 863156, 863157, 863159, 863160, 863161, 863150, 863158, 863162, 863163)
865220	Plain undershelf for roller conveyor, 1100 mm (only for 863163, 863162, 863158, 863150, 863161, 863160, 863159, 863157, 863156, 863155, 863154, 863153, 863152, 863151, 863149)
865221	Plain undershelf for roller conveyor, 1600 mm (only for 863154, 863155, 863156, 863157, 863159, 863160, 863161, 863158, 863162, 863163)
865222	Plain undershelf for roller conveyor, 2100 mm (only for 863163, 863162, 863161, 863160, 863159)
865235	Connection bracket for plain undershelf and grid undershelf (to be used if roller conveyor is connected directly to Rack Type Dishwasher with splash hood) (only for 863159, 863157, 863156, 863160, 863161, 863155, 863154, 863152, 863153, 863149, 863148, 863151, 863145, 863146, 863147, 863162, 863163, 863158, 863150)
865236	Grid undershelf, 600 mm (only for 863150, 863158, 863163, 863147, 863146, 863145, 863144, 863151, 863148, 863149, 863153, 863152, 863154, 863155, 863161, 863160, 863156, 863157, 863159)
865237	Grid undershelf, 1100 mm (only for 863159, 863157, 863156, 863160, 863161, 863155, 863154, 863152, 863153, 863149, 863151, 863163, 863162, 863158, 863150)
865238	Grid undershelf, 1600 mm (only for 863158, 863162, 863163, 863154, 863155, 863161, 863160, 863156, 863157, 863159)
865239	Grid undershelf, 2100 mm (only for 863159, 863160, 863161, 863163, 863162)
865452	Plain undershelf for roller conveyor, 800 mm (only for 863162, 863163, 863158, 863150, 863161, 863160, 863159, 863157, 863156, 863155, 863154, 863153, 863152, 863151, 863149, 863148, 863146, 863147)
865453	Grid undershelf, 800 mm (only for 863147, 863146, 863148, 863149, 863151, 863152, 863153, 863154, 863155, 863156, 863157, 863159, 863160, 863161, 863150, 863158, 863163, 863162)

Recommended Detergents

PNC Code	Description
OS2092	C11 Detergent for dishwashers; one pack of 2 cans of 5lt.
OS2093	C13 ECO Detergent for dishwashers; one pack of 2cans of 5lt.
OS2094	C12 Rinse aid for dishwashers; one pack of 2 cans of 5lt.
OS2281	C11 Detergent for dishwashers; 1 can of 20lt.
OS2362	C30 Multipurpose descaler; one pack of 2 cans of 5lt.
OS2904	C15 ECO Rinse aid for dishwashers; one pack of 2 cans of 5lt.



Find out more:
[ISO Certificates](#)
[Electrolux Professional Recognitions](#)

The company reserves the right to make modifications to the products without prior notice. All information correct at time of printing.

2026/06/01

6/6