

**865185 (HSSRC6)**

Conveyor, short rollers, 600 mm

**865186 (HSSRC11)**

Conveyor, short rollers, 1100 mm

**863000 (HSSRC12)**

Conveyor, short rollers, 1200 mm

**863001 (HSSRC13)**

Conveyor, short rollers, 1300 mm

**863002 (HSSRC14)**

Conveyor, short rollers, 1400 mm

**863003 (HSSRC15)**

Conveyor, short rollers, 1500 mm

**865187 (HSSRC16)**

Conveyor, short rollers, 1600 mm

**863004 (HSSRC17)**

Conveyor, short rollers, 1700 mm

**863005 (HSSRC18)**

Conveyor, short rollers, 1800 mm

**863006 (HSSRC19)**

Conveyor, short rollers, 1900 mm

**863007 (HSSRC20)**

Conveyor, short rollers, 2000 mm

**865188 (HSSRC21)**

Conveyor, short rollers, 2100 mm



**863008 (HSSRC22)**

Conveyor, short rollers, 2200 mm

**863009 (HSSRC23)**

Conveyor, short rollers, 2300 mm

**863010 (HSSRC24)**

Conveyor, short rollers, 2400 mm

**863011 (HSSRC25)**

Conveyor, short rollers, 2500 mm

**863012 (HSSRC26)**

Conveyor, short rollers, 2600 mm

## Description

Constructed in 304 AISI stainless steel. Basin with sloping bottom and drain. Short plastic rollers. Square 40x40mm square legs with height-adjustable feet. Designed for 500x500mm dishwashing baskets. Knock-down delivery.

## Main Features

- Designed to transport 500x500 mm dishwashing baskets.
- Conveyors supplied as knockdown and easy to assemble.
- "Key holes" and "snap on" system reduces the number of screws needed for fast and easy installation.
- Improved end limit switch for easier cleaning and higher reliability.
- Manual rack movement with short rollers.
- Drain can be turned 360°.
- The table can be used in loading and/or unloading sides.
- Suitable to install either a single unit with dishwasher or combined with other tables.
- The table is suitable for both rack type and hood type dishwasher. Rack type dishwasher can be connected directly to the table, while there are optional accessories to adapt the table with hood type dishwasher.

## Construction

- All surfaces smooth with polished finish.
- 40x40 mm square tubular legs in AISI 304 stainless steel.
- Thick welded flanges for sturdy connection between the units.
- Two legs included.
- AISI 304 1,2mm stainless steel basin.
- Self-bearing undershelf eliminates the need for additional frames.
- Conveyors optionally equipped with end-limit switch, end plate, guides for racks, and undershelves.
- Sloping bottom of the table grants a smooth and rapid drainage.
- Stainless steel feet 50 mm adjustable in height to align the operation height between the dishwasher and table.

## Sustainability

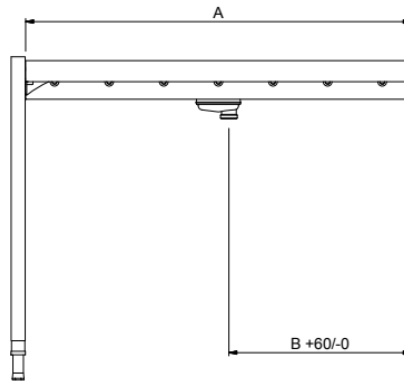
- The short roller conveyor is available in 600mm length and from 1100mm up to 2600mm with 100mm-step length.



# Technical specifications

8651 8651 8630 8630  
85 86 00 01

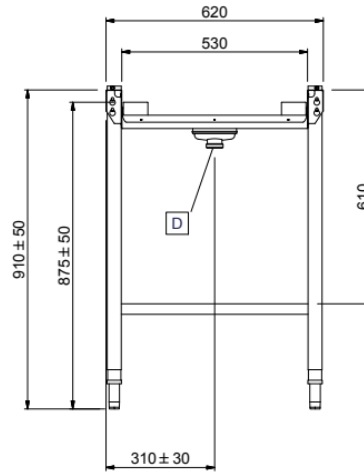
Front



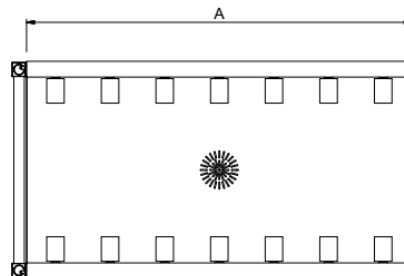
## Key Information:

External dimensions, Width:	600 mm	1100 mm	1200 mm	1300 mm
External dimensions, Depth:	620 mm	620 mm	620 mm	620 mm
External dimensions, Height:	910 mm	910 mm	910 mm	910 mm
Net weight:	10 kg	15 kg	16 kg	17 kg
Height adjustment:	50/50 mm	50/50 mm	50/50 mm	50/50 mm

Side



Top



D = Drain

DO = Overflow drain pipe



Find out more:  
ISO Certificates  
[Electrolux Professional Recognitions](#)

The company reserves the right to make modifications to the products without prior notice. All information correct at time of printing.

2026/06/10

3/6

# Technical specifications

## Optional Accessories

PNC Code	Description
<b>Handling system</b>	
863077	Plain undershelf for roller conveyor, 1200 mm (only for 863000, 863001, 863002, 863003, 863004, 863005, 863006, 863007, 863008, 863009, 863010, 863011, 863012, 865187, 865188)
863078	Plain undershelf for roller conveyor, 1300 mm (only for 865188, 865187, 863012, 863011, 863010, 863009, 863008, 863007, 863006, 863005, 863004, 863003, 863002, 863001)
863079	Plain undershelf for roller conveyor, 1400 mm (only for 863002, 863003, 863004, 863005, 863006, 863007, 863008, 863009, 863010, 863011, 863012, 865187, 865188)
863080	Plain undershelf for roller conveyor, 1500 mm (only for 865188, 865187, 863012, 863011, 863010, 863009, 863008, 863007, 863006, 863005, 863004, 863003)
863081	Plain undershelf for roller conveyor, 1700 mm (only for 863004, 863005, 863006, 863007, 863008, 863009, 863010, 863011, 863012, 865188)
863082	Plain undershelf for roller conveyor, 1800 mm (only for 865188, 863012, 863011, 863010, 863009, 863008, 863007, 863006, 863005)
863083	Plain undershelf for roller conveyor, 1900 mm (only for 863006, 863007, 863008, 863009, 863010, 863011, 863012, 865188)
863084	Plain undershelf for roller conveyor, 2000 mm (only for 865188, 863012, 863011, 863010, 863009, 863008, 863007)
863085	Plain undershelf for roller conveyor, 2200 mm (only for 863008, 863009, 863010, 863011, 863012)
863086	Plain undershelf for roller conveyor, 2300 mm (only for 863012, 863011, 863010, 863009)
863087	Plain undershelf for roller conveyor, 2400 mm (only for 863010, 863011, 863012)
863088	Plain undershelf for roller conveyor, 2500 mm (only for 863012, 863011)
863089	Plain undershelf for roller conveyor, 2600 mm (only for 863012)
863103	Grid undershelf, 1200 mm (only for 863012, 863011, 865188, 865187, 863010, 863009, 863008, 863007, 863006, 863005, 863004, 863003, 863002, 863001, 863000)
863104	Grid undershelf, 1300 mm (only for 863001, 863002, 863003, 863004, 863005, 863006, 863007, 863008, 863009, 863010, 865187, 865188, 863011, 863012)
863105	Grid undershelf, 1400 mm (only for 863012, 863011, 865188, 865187, 863010, 863009, 863008, 863007, 863006, 863005, 863004, 863003, 863002)
863106	Grid undershelf, 1500 mm (only for 863003, 863004, 863005, 863006, 863007, 863008, 863009, 863010, 865187, 865188, 863011, 863012)
863107	Grid undershelf, 1700 mm (only for 863012, 863011, 865188, 863010, 863009, 863008, 863007, 863006, 863005, 863004)
863108	Grid undershelf, 1800 mm (only for 863005, 863006, 863007, 863008, 863009, 863010, 865188, 863011, 863012)
863109	Grid undershelf, 1900 mm (only for 863012, 863011, 865188, 863010, 863009, 863008, 863007, 863006)
863110	Grid undershelf, 2000 mm (only for 863007, 863008, 863009, 863010, 865188, 863011, 863012)
863111	Grid undershelf, 2200 mm (only for 863012, 863011, 863010, 863009, 863008)
863112	Grid undershelf, 2300 mm (only for 863009, 863010, 863011, 863012)
863113	Grid undershelf, 2400 mm (only for 863012, 863011, 863010)
863114	Grid undershelf, 2500 mm (only for 863011, 863012)
863115	Grid undershelf, 2600 mm (only for 863012)
865162	Emergency stop kit for Rack Type Dishwasher (not for Basic handling system)



Find out more:  
[ISO Certificates](#)  
[Electrolux Professional Recognitions](#)

The company reserves the right to make modifications to the products without prior notice. All information correct at time of printing.

2026/06/10

4/6

# Technical specifications

PNC Code	Description
<b>Handling system</b>	
865163	Connection plate (short) for left side to connect handling system to hood type
865164	Connection plate (long) for front and right side to connect handling system to hood type
865217	End plate for conveyor table
865218	End limit switch for short roller conveyor
865219	Plain undershelf for roller conveyor, 600 mm
865220	Plain undershelf for roller conveyor, 1100 mm (only for 863012, 863011, 865188, 865187, 865186, 863010, 863009, 863008, 863007, 863006, 863005, 863004, 863003, 863002, 863001, 863000)
865221	Plain undershelf for roller conveyor, 1600 mm (only for 863004, 863005, 863006, 863007, 863008, 863009, 863010, 865187, 865188, 863011, 863012)
865222	Plain undershelf for roller conveyor, 2100 mm (only for 863012, 863011, 865188, 863010, 863009, 863008)
865223	Guide rack for 4 dishwasher baskets, 1100 mm - 1500 mm (only for 863008, 863007, 863009, 863010, 863006, 863005, 863004, 863000, 863001, 863002, 863003, 865188, 865187, 865186, 863011, 863012)
865224	Guide rack for 8 dishwasher baskets, 1600 mm - 2000 mm (only for 863012, 863011, 865187, 865188, 863004, 863005, 863006, 863010, 863009, 863007, 863008)
865225	Guide rack for 12 dishwasher baskets, 2100 mm - 2500 mm (only for 863008, 863009, 863010, 865188, 863011, 863012)
865226	Guide rack for 16 dishwasher baskets, 2600 mm (only for 863012)
865234	Connection bracket for plain undershelf and grid undershelf (to be used if roller conveyor is connected directly to Rack Type Dishwasher)
865235	Connection bracket for plain undershelf and grid undershelf (to be used if roller conveyor is connected directly to Rack Type Dishwasher with splash hood)
865236	Grid undershelf, 600 mm
865237	Grid undershelf, 1100 mm (only for 863000, 863001, 863002, 863003, 863004, 863005, 863006, 863007, 863008, 863009, 863010, 865186, 865187, 865188, 863011, 863012)
865238	Grid undershelf, 1600 mm (only for 863012, 863011, 865188, 865187, 863010, 863009, 863008, 863007, 863006, 863005, 863004)
865239	Grid undershelf, 2100 mm (only for 863008, 863009, 863010, 865188, 863011, 863012)
865452	Plain undershelf for roller conveyor, 800 mm (only for 863000, 863001, 863002, 863003, 863006, 863005, 863004, 863007, 863008, 863009, 863010, 865186, 865187, 865188, 863011, 863012)
865453	Grid undershelf, 800 mm (only for 863012, 863011, 865188, 865187, 865186, 863010, 863009, 863008, 863007, 863004, 863005, 863006, 863003, 863002, 863001, 863000)
<b>Other accessories</b>	
865253	Inclined extension table for roller conveyor



Find out more:  
ISO Certificates  
[Electrolux Professional Recognitions](#)

The company reserves the right to make modifications to the products without prior notice. All information correct at time of printing.

2026/06/10

5/6

# Technical specifications

---

## Recommended Detergents

PNC Code	Description
0S2092	C11 Detergent for dishwashers; one pack of 2 cans of 5lt.
0S2093	C13 ECO Detergent for dishwashers; one pack of 2cans of 5lt.
0S2094	C12 Rinse aid for dishwashers; one pack of 2 cans of 5lt.
0S2281	C11 Detergent for dishwashers; 1 can of 20lt.
0S2362	C30 Multipurpose descaler; one pack of 2 cans of 5lt.
0S2904	C15 ECO Rinse aid for dishwashers; one pack of 2 cans of 5lt.



Find out more:  
[ISO Certificates](#)  
[Electrolux Professional Recognitions](#)

The company reserves the right to make modifications to the products without prior notice. All information correct at time of printing.

2026/06/10

6/6