

865196 (HSLRCEP11)

Conveyor, long rollers with end plate, 1145mm

863039 (HSLRCEP12)

Conveyor, long rollers with end plate, 1245mm

863040 (HSLRCEP13)

Conveyor, long rollers with end plate, 1345mm

863041 (HSLRCEP14)

Conveyor, long rollers with end plate, 1445mm

863042 (HSLRCEP15)

Conveyor, long rollers with end plate, 1545mm

865197 (HSLRCEP16)

Conveyor, long rollers with end plate, 1645mm

863043 (HSLRCEP17)

Conveyor, long rollers with end plate, 1745mm

863044 (HSLRCEP18)

Conveyor, long rollers with end plate, 1845mm

863045 (HSLRCEP19)

Conveyor, long rollers with end plate, 1945mm

863046 (HSLRCEP20)

Conveyor, long rollers with end plate, 2045mm

865198 (HSLRCEP21)

Conveyor, long rollers with end plate, 2145mm

863047 (HSLRCEP22)

Conveyor, long rollers with end plate, 2245mm

863048 (HSLRCEP23)

Conveyor, long rollers with end plate, 2345mm

863049 (HSLRCEP24)



Conveyor, long rollers with end plate, 2445mm

863050 (HSLRCEP25)

Conveyor, long rollers with end plate, 2545mm

863051 (HSLRCEP26)

Conveyor, long rollers with end plate, 2645mm

Description

Constructed in 304 AISI stainless steel. Basin with sloping bottom and drain.
Long plastic rollers. Square 40x40mm square legs with height-adjustable feet.
Designed for 500x500mm dishwashing baskets.
Knock-down delivery.
Integrated end plate.

Main Features

- Designed to transport 500x500 mm dishwashing baskets.
- Conveyors supplied as knockdown and easy to assemble.
- "Key holes" and "snap on" system reduces the number of screws needed for fast and easy installation.
- Improved end limit switch for easier cleaning and higher reliability.
- Drain can be turned 360°.
- Suitable to install either a single unit with dishwasher or combined with other tables.
- The table can be used on loading and/or unloading sides as the first or the last table in the working flow.
- Manual rack movement with long rollers.
- The table is suitable for both rack type and hood type dishwasher. Rack type dishwasher can be connected directly to the table, while there are optional accessories to adapt the table with hood type dishwasher.
- Long roller conveyor is available from 1100 up to 2600mm with 100mm-step length.

Construction

- All surfaces smooth with polished finish.
- Thick welded flanges for sturdy connection between the units.
- AISI 304 1,2mm stainless steel basin.
- Self-bearing undershelf eliminates the need for additional frames.
- Sloping bottom of the table grants a smooth and rapid drainage.
- 40x40mm stainless steel tubular and square legs.
- Plastic rollers easy to remove for cleaning.
- Stainless steel feet 50 mm adjustable in height to align the operation height between the dishwasher and table.
- Conveyors optionally equipped with end-limit switch, guides for racks, and undershelves.

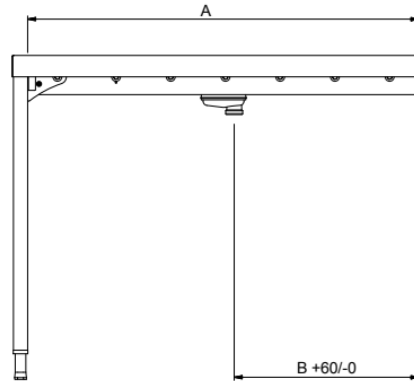


Technical specifications

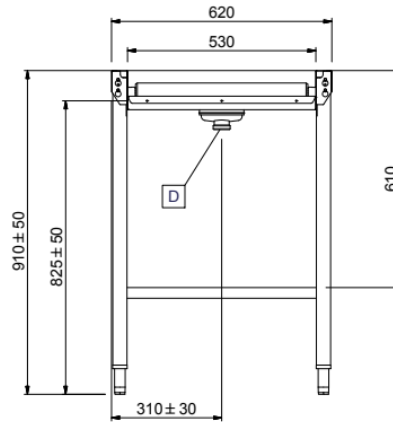
8651 8630 8630 8630 Front
96 39 40 41

Key Information:

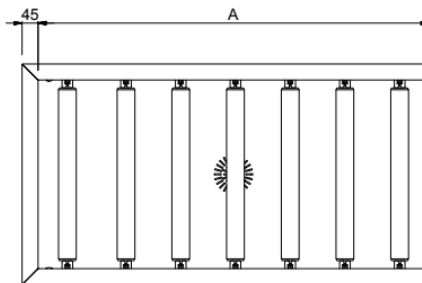
External dimensions, Width:	1145 mm	1245 mm	1345 mm	1445 mm
External dimensions, Depth:	620 mm	620 mm	620 mm	620 mm
External dimensions, Height:	910 mm	910 mm	910 mm	910 mm
Net weight:	18 kg	18.95 kg	19.9 kg	21.18 kg
Height adjustment:	50/50 mm	50/50 mm	50/50 mm	50/50 mm



Side



Top



D = Drain

DO = Overflow drain pipe



Find out more:
ISO Certificates
[Electrolux Professional Recognitions](#)

The company reserves the right to make modifications to the products without prior notice. All information correct at time of printing.

2026/06/10

3/5

Technical specifications

Optional Accessories

PNC Code	Description
Handling system	
863077	Plain undershelf for roller conveyor, 1200 mm (only for 863039, 863040, 863041, 863042, 863043, 863044, 863046, 863047, 863048, 863049, 863050, 863051, 863045, 865197, 865198)
863078	Plain undershelf for roller conveyor, 1300 mm (only for 865198, 865197, 863045, 863051, 863050, 863049, 863048, 863047, 863046, 863044, 863043, 863042, 863041, 863040)
863079	Plain undershelf for roller conveyor, 1400 mm (only for 863041, 863042, 863043, 863044, 863046, 863047, 863048, 863049, 863050, 863051, 863045, 865197, 865198)
863080	Plain undershelf for roller conveyor, 1500 mm (only for 865198, 865197, 863045, 863051, 863050, 863049, 863048, 863047, 863046, 863044, 863043, 863042)
863081	Plain undershelf for roller conveyor, 1700 mm (only for 863043, 863044, 863046, 863047, 863048, 863049, 863050, 863051, 863045, 865198)
863082	Plain undershelf for roller conveyor, 1800 mm (only for 865198, 863045, 863051, 863050, 863049, 863048, 863047, 863046, 863044)
863083	Plain undershelf for roller conveyor, 1900 mm (only for 863046, 863047, 863048, 863049, 863050, 863051, 863045, 865198)
863084	Plain undershelf for roller conveyor, 2000 mm (only for 865198, 863051, 863050, 863049, 863048, 863047, 863046)
863085	Plain undershelf for roller conveyor, 2200 mm (only for 863047, 863048, 863049, 863050, 863051)
863086	Plain undershelf for roller conveyor, 2300 mm (only for 863051, 863050, 863049, 863048)
863087	Plain undershelf for roller conveyor, 2400 mm (only for 863049, 863050, 863051)
863088	Plain undershelf for roller conveyor, 2500 mm (only for 863051, 863050)
863089	Plain undershelf for roller conveyor, 2600 mm (only for 863051)
863103	Grid undershelf, 1200 mm (only for 863051, 863045, 865197, 865198, 863050, 863049, 863048, 863047, 863046, 863044, 863043, 863042, 863041, 863040, 863039)
863104	Grid undershelf, 1300 mm (only for 863040, 863041, 863042, 863043, 863044, 863046, 863047, 863048, 863049, 863050, 865198, 865197, 863045, 863051)
863105	Grid undershelf, 1400 mm (only for 863051, 863045, 865197, 865198, 863050, 863049, 863048, 863047, 863046, 863044, 863043, 863042, 863041)
863106	Grid undershelf, 1500 mm (only for 863042, 863043, 863044, 863046, 863047, 863048, 863049, 863050, 865198, 865197, 863045, 863051)
863107	Grid undershelf, 1700 mm (only for 863051, 863045, 865198, 863050, 863049, 863048, 863047, 863046, 863044, 863043)
863108	Grid undershelf, 1800 mm (only for 863044, 863046, 863047, 863048, 863049, 863050, 865198, 863045, 863051)
863109	Grid undershelf, 1900 mm (only for 863051, 863045, 865198, 863050, 863049, 863048, 863047, 863046)
863110	Grid undershelf, 2000 mm (only for 863046, 863047, 863048, 863049, 863050, 865198, 863051)
863111	Grid undershelf, 2200 mm (only for 863051, 863050, 863049, 863048, 863047)
863112	Grid undershelf, 2300 mm (only for 863048, 863049, 863050, 863051)
863113	Grid undershelf, 2400 mm (only for 863051, 863050, 863049)
863114	Grid undershelf, 2500 mm (only for 863050, 863051)
863115	Grid undershelf, 2600 mm (only for 863051)
865162	Emergency stop kit for Rack Type Dishwasher (not for Basic handling system)



Find out more:
ISO Certificates
[Electrolux Professional Recognitions](#)

The company reserves the right to make modifications to the products without prior notice. All information correct at time of printing.

2026/06/10

4/5

Technical specifications

PNC Code	Description
Handling system	
865163	Connection plate (short) for left side to connect handling system to hood type
865164	Connection plate (long) for front and right side to connect handling system to hood type
865219	Plain undershelf for roller conveyor, 600 mm
865220	Plain undershelf for roller conveyor, 1100 mm
865221	Plain undershelf for roller conveyor, 1600 mm (only for 863043, 863044, 863046, 863047, 863048, 863049, 863050, 865198, 865197, 863045, 863051)
865222	Plain undershelf for roller conveyor, 2100 mm (only for 863051, 865198, 863050, 863049, 863048, 863047)
865223	Guide rack for 4 dishwasher baskets, 1100 mm - 1500 mm
865224	Guide rack for 8 dishwasher baskets, 1600 mm - 2000 mm (only for 865197, 863045, 863051, 865198, 863043, 863044, 863046, 863050, 863049, 863048, 863047)
865225	Guide rack for 12 dishwasher baskets, 2100 mm - 2500 mm (only for 863047, 863048, 863049, 863050, 865198, 863051)
865226	Guide rack for 16 dishwasher baskets, 2600 mm (only for 863051)
865234	Connection bracket for plain undershelf and grid undershelf (to be used if roller conveyor is connected directly to Rack Type Dishwasher)
865235	Connection bracket for plain undershelf and grid undershelf (to be used if roller conveyor is connected directly to Rack Type Dishwasher with splash hood)
865236	Grid undershelf, 600 mm
865237	Grid undershelf, 1100 mm
865238	Grid undershelf, 1600 mm (only for 863051, 863045, 865197, 865198, 863050, 863049, 863048, 863047, 863046, 863044, 863043)
865239	Grid undershelf, 2100 mm (only for 863047, 863048, 863049, 863050, 865198, 863051)
865256	End limit switch for long roller conveyor (kit with two short rollers and end switch)
865452	Plain undershelf for roller conveyor, 800 mm
865453	Grid undershelf, 800 mm
Other accessories	
865253	Inclined extension table for roller conveyor

Recommended Detergents

PNC Code	Description
0S2092	C11 Detergent for dishwashers; one pack of 2 cans of 5lt.
0S2093	C13 ECO Detergent for dishwashers; one pack of 2cans of 5lt.
0S2094	C12 Rinse aid for dishwashers; one pack of 2 cans of 5lt.
0S2281	C11 Detergent for dishwashers; 1 can of 20lt.
0S2362	C30 Multipurpose descaler; one pack of 2 cans of 5lt.
0S2904	C15 ECO Rinse aid for dishwashers; one pack of 2 cans of 5lt.



Find out more:
ISO Certificates
[Electrolux Professional Recognitions](#)

The company reserves the right to make modifications to the products without prior notice. All information correct at time of printing.

2026/06/10

5/5