

**865400 (BHRLU11)**

Dishwasher table, loading/unloading, 1100 mm

Description

For rack type dishwashers. Constructed in 304 AISI stainless steel. N.2 square 40x40mm square legs on height-adjustable feet. Basket direction: from right to left and from left to right.

Main Features

- Designed to transport 500x500 mm dishwashing baskets.
- Supplied knocked-down and easy to assemble.
- The table intended to connect directly with the rack type dishwasher on loading and/or unloading side.
- Suitable to be installed alone with the rack type dishwasher to save space.

Construction

- 304 AISI stainless steel construction throughout.
- Stainless steel feet 50 mm adjustable in height to ensure that tables drain back into the dishwasher.
- Deep anti-drip profiles completely folded with lower edge for safe and easy cleaning.
- All surfaces smooth with polished finish.
- 40x40 mm square tubular legs in AISI 304 stainless steel.
- Optionally equipped with plain undershelves and end limit switch.
- To be secured to the dishwasher and fitted with one pair of legs at the other end.
- Optional splash back available to align the table with the rack type dishwasher and to prevent water spatter.

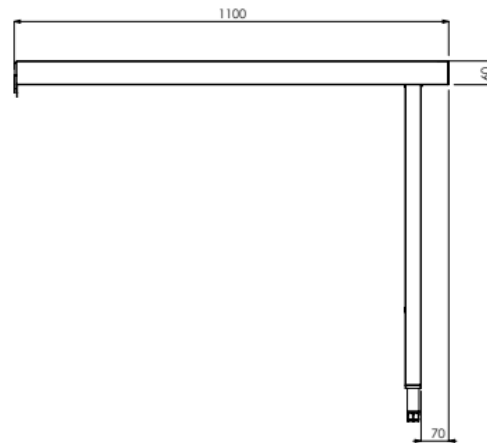


Technical specifications

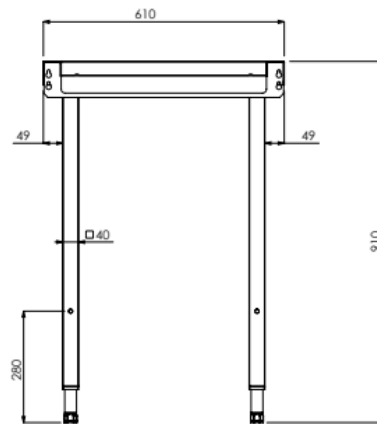
Key Information:

External dimensions, Width:	1100 mm
External dimensions, Depth:	610 mm
External dimensions, Height:	910 mm
Net weight:	13 kg

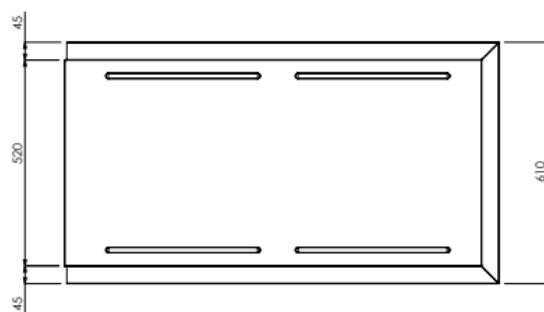
Front



Side



Top



DO = Overflow drain pipe



Find out more:
ISO Certificates
[Electrolux Professional Recognitions](#)

The company reserves the right to make modifications to the products without prior notice. All information correct at time of printing.

2026/06/10

2/3

Technical specifications

Optional Accessories

PNC Code	Description
Handling system	
855296	2 legs for floor mounted storing shelf
865385	End limit switch for basic unloading tables
865420	Wall/floor mounted storing shelf, 1100 mm
865423	Small splashback (to be aligned with the back of the Rack Type Dishwasher), 1100 mm
865480	Undershelf for dishwasher table, 1100 mm
Installation solutions	
865386	Floor fastening kit for 2 square legs
Other accessories	
865418	Removable bridge table, 800 mm
865419	Removable bridge table with hole, 800 mm

Recommended Detergents

PNC Code	Description
0S2092	C11 Detergent for dishwashers; one pack of 2 cans of 5lt.
0S2093	C13 ECO Detergent for dishwashers; one pack of 2cans of 5lt.
0S2094	C12 Rinse aid for dishwashers; one pack of 2 cans of 5lt.
0S2281	C11 Detergent for dishwashers; 1 can of 20lt.
0S2362	C30 Multipurpose descaler; one pack of 2 cans of 5lt.
0S2904	C15 ECO Rinse aid for dishwashers; one pack of 2 cans of 5lt.



Find out more:
[ISO Certificates](#)
[Electrolux Professional Recognitions](#)

The company reserves the right to make modifications to the products without prior notice. All information correct at time of printing.

2026/06/10

3/3