

**865402 (BHRPTB09R)**

Prewash table with bowl for Rack Type Dishwasher, Right>Left, 900 mm

## Description

Designed for rack type dishwashers. Constructed in 304 AISI stainless steel. Integrated splashback.

N. 2 square 40x40mm tubular legs with height-adjustable feet.

Bowl size 500x400x300mm with overflow pipe and drain hole. Basket direction: from right to left.

## Main Features

- Supplied knocked-down and easy to assemble.
- Designed for 500x500 mm dishwashing racks.
- The table is intended to be directly connected with the rack type in the loading side from right to left direction.
- Suitable to be installed alone with the rack type dishwasher to save space.

## Construction

- 304 AISI stainless steel construction throughout.
- Included splashback to prevent water spatter.
- Deep anti-drip profiles completely folded with lower edge for safe and easy cleaning.
- All surfaces smooth with polished finish.
- 40x40 mm square tubular legs in AISI 304 stainless steel.
- To be secured to the dishwasher and fitted with one pair of legs at the other end.
- Optionally equipped with undershelf, pre-rinse unit, strainer basket and scrap plate.

## Sustainability

- Stainless steel feet 50 mm adjustable in height to align the operation height between the dishwasher and table as well as to ensure that tables drain back into the dishwasher.

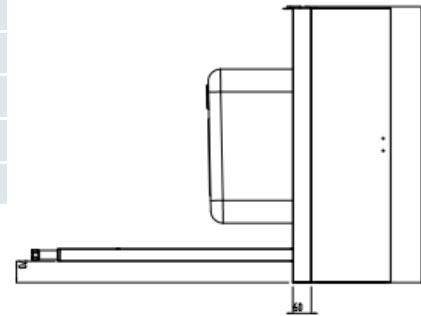


# Technical specifications

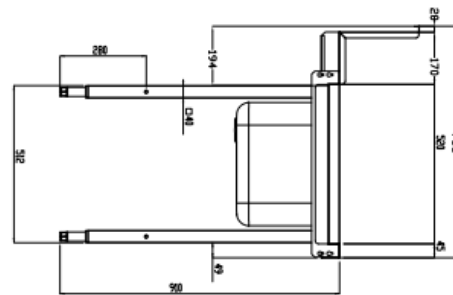
## Key Information:

External dimensions, Width:	900 mm
External dimensions, Depth:	755 mm
External dimensions, Height:	1170 mm
Net weight:	19 kg
Splashback Dimensions, Height:	260 mm
Basin dimensions:	

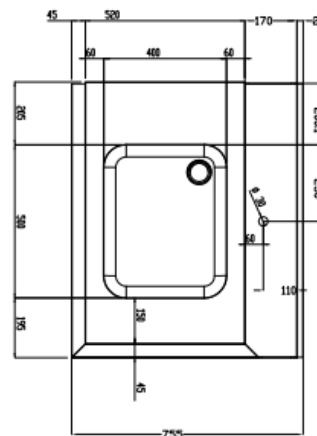
Front



Side



Top



D = Drain

DO = Overflow drain pipe



Find out more:  
[ISO Certificates](#)  
[Electrolux Professional Recognitions](#)

The company reserves the right to make modifications to the products without prior notice. All information correct at time of printing.

2026/06/10

2/3

# Technical specifications

## Optional Accessories

PNC Code	Description
<b>Handling system</b>	
855297	Dish scraper
865479	Undershelf for dishwasher table, 900 mm
<b>Installation solutions</b>	
865386	Floor fastening kit for 2 square legs
<b>Sink units and mixing taps</b>	
855379	Double hole deck mounted elbow operated mixing temperature faucet with pre-rinse unit
855380	Deck mounted mixing temperature pre-rinse unit
855381	Wall mounted mixing temperature pre-rinse unit
855385	Single hole deck mounted mixing temperature pre-rinse unit
855386	Single hole deck mounted elbow operated mixing temperature faucet with pre-rinse unit
855389	Single hole deck mounted riser add-on mixing temperature faucet with pre-rinse unit
895313	Single plastic drain syphon 2" for Sinks
<b>Other accessories</b>	
865418	Removable bridge table, 800 mm
865419	Removable bridge table with hole, 800 mm

## Recommended Detergents

PNC Code	Description
OS2092	C11 Detergent for dishwashers; one pack of 2 cans of 5lt.
OS2093	C13 ECO Detergent for dishwashers; one pack of 2cans of 5lt.
OS2094	C12 Rinse aid for dishwashers; one pack of 2 cans of 5lt.
OS2281	C11 Detergent for dishwashers; 1 can of 20lt.
OS2362	C30 Multipurpose descaler; one pack of 2 cans of 5lt.
OS2904	C15 ECO Rinse aid for dishwashers; one pack of 2 cans of 5lt.



Find out more:  
ISO Certificates  
[Electrolux Professional Recognitions](#)

The company reserves the right to make modifications to the products without prior notice. All information correct at time of printing.

2026/06/10

3/3