

**865466 (HSDDS4RL)**

Automatic sorting table, Dishwasher driven, 4 baskets, Right>Left, 2430 mm

Description

Constructed in 304 AISI stainless steel. Basin with sloping bottom, drain with double strainer baskets. Rack-guides inclined towards the sorting side. Dishwasher driven rack movement. Feeding bars and carriers. Square 40x40mm square legs with height-adjustable feet. Designed for 500x500mm dishwashing baskets. Attachment to the dishwasher on the left side. Basket feed direction: from right to left.

Main Features

- Designed to transport 500x500 mm dishwashing baskets.
- "Key holes" and "snap on" system reduces the number of screws needed for fast and easy installation.
- Stacking tables for 7 and 8 baskets on request.
- Optional extras: basin wash nozzles for cleaning the basin.
- Driven by the dishwasher.

Construction

- All surfaces smooth with polished finish.
- Thick welded flanges for sturdy connection between the units.
- Sloping bottom of the table grants a smooth and rapid drainage.
- Stainless steel strainer baskets easy to remove.
- Rack-guides inclined towards the basin.
- Double filter strainer installed on both sides allow the access from both directions.
- Constructed in AISI 304 stainless steel with square 40x40mm tubular construction feet and legs.
- Double stainless steel strainer basket for easy operation.

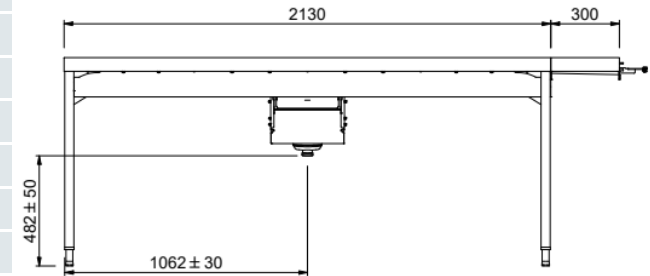


Technical specifications

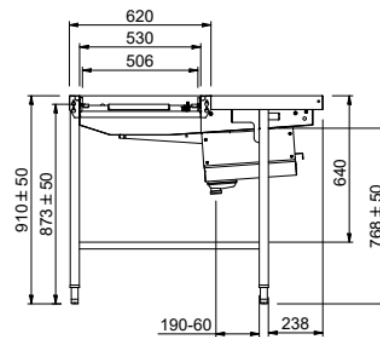
Key Information:

External dimensions, Width:	2430 mm
External dimensions, Depth:	1110 mm
External dimensions, Height:	910 mm
Net weight:	52 kg
Height adjustment:	50/50 mm
Basket movement:	
Position to dishwasher:	
Basin material:	

Front

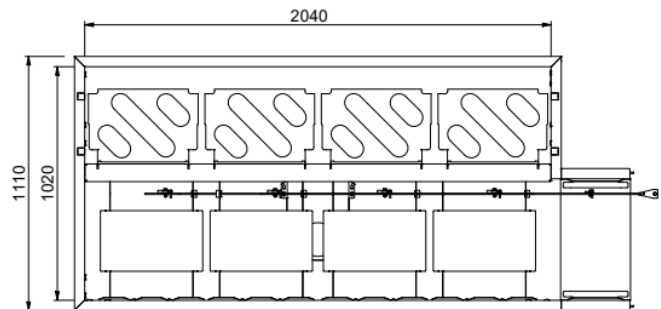


Side



Factory mounted waste rack

Top



D = Drain

DO = Overflow drain pipe



Find out more:
[ISO Certificates](#)
[Electrolux Professional Recognitions](#)

The company reserves the right to make modifications to the products without prior notice. All information correct at time of printing.

2026/06/10

2/3

Technical specifications

Optional Accessories

PNC Code	Description
Handling system	
863136	Pre-rinse unit (thermostatic mixer and shower) to be mounted on overshef
863173	Additional waste rack for dishwasher driven and automatic sorting table
865162	Emergency stop kit for Rack Type Dishwasher (not for Basic handling system)
865208	Basket support for vertical stacking of baskets (to be used with overshef)
865209	Pre-rinse unit (mixer and shower)
865299	Double overshef for 4-basket sorting table, 2120 mm
865430	Overshef for 4-basket sorting table, 2120 mm
865434	Tray slide for 4-basket sorting table, 2130 mm
865437	Tray slide fixing brackets (3pcs)
865439	Grid undershef for 4-basket sorting table
865443	Pre-wash spray unit, 1500 mm
865444	Tray slide for sorting table, 500 mm
865445	Tray slide with waste hole and rubber ring, 500 mm
865447	Dish scraper
865449	Water heating kit for wash basin
865455	Foldable tray slide for 4-basket sorting table, 2130 mm
865460	Retractable pre-rinse unit with fixed thermostatic water mixer, hose length, 14mm
865478	Brackets to support baskets under the sorting table
Other accessories	
863230	Soaking basin for cutlery rack including lifting device for dishwasher driven sorting table
863260	Automatic basin wash with timer for 4-basket sorting table

Recommended Detergents

PNC Code	Description
OS2092	C11 Detergent for dishwashers; one pack of 2 cans of 5lt.
OS2093	C13 ECO Detergent for dishwashers; one pack of 2cans of 5lt.
OS2094	C12 Rinse aid for dishwashers; one pack of 2 cans of 5lt.
OS2281	C11 Detergent for dishwashers; 1 can of 20lt.
OS2362	C30 Multipurpose descaler; one pack of 2 cans of 5lt.
OS2904	C15 ECO Rinse aid for dishwashers; one pack of 2 cans of 5lt.



Find out more:
ISO Certificates
[Electrolux Professional Recognitions](#)

The company reserves the right to make modifications to the products without prior notice. All information correct at time of printing.

2026/06/10

3/3