



Shipping height (Package 1):	530 mm
Shipping width (Package 1):	380 kg
Shipping depth (Package 1):	480 kg
Shipping weight (Package 2):	6 kg
Shipping width (Package 2):	300 kg
Shipping height (Package 2):	440 kg
Shipping depth (Package 2):	480 kg

CCCRKT (ECS2E22)

Chilled Beverage Dispenser with 2x9 liter bowls with agitator and locking lid, R290

PNC Code	Model	Description	Quantity
606464	CS2E1D22FCELX	Base for chilled beverage dispenser, capacity 18 liters, R290	1
606625	CS29ABPAFEWLK EX	2x9 liter bowls for chilled beverage dispenser with agitator and locking lid	1

Main Features

- Agitation function for fresh juices, coffees, or teas with minimal foaming system.
- Easy-off bowl release system for faster and easier assembly and disassembly.
- Dispense 2 flavors in 9 L easy-clean bowls with 23 cm cup clearance.
- User friendly design enables machine to dispense product till the very last drop.

Construction

- Refrigerant type: R290.
- Pre-mix dispenser with stainless steel base and clear plastic bowls.
- Compact size of 27 cm wide saves valuable counter space.
- Fewer removable parts to simplify cleaning and reduce maintenance.
- Temperature range from 1.7 - 5° C.
- The air intakes from the bottom and exhaust to back.
- Locking lid for added safety against tampering.



Technical specifications

Electric

Supply voltage:	220-240 V /1N ph/50/60 Hz
Electrical power max.:	0.4 kW

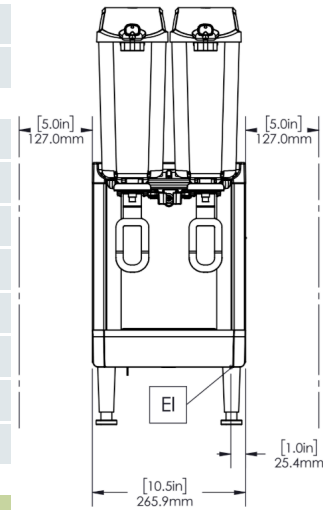
Key Information:

Net weight:	20 kg
Shipping weight (Package 1):	380 kg
Shipping height (Package 1):	530 mm
Shipping depth (Package 1):	480 kg
Shipping weight (Package 2):	6 kg
Shipping width (Package 2):	300 kg
Shipping height (Package 2):	440 kg
Shipping depth (Package 2):	480 kg

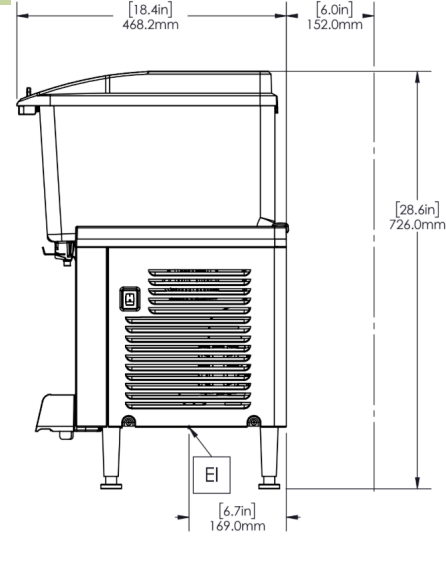
Sustainability

Refrigerant type:	R290
Refrigerant weight:	50 g

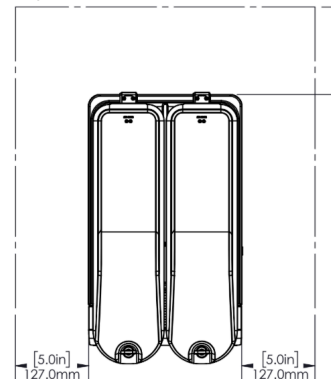
Front



Side



Top



Find out more:
 ISO Certificates
 Electrolux Professional Recognitions

The company reserves the right to make modifications to the products without prior notice. All information correct at time of printing.

2026/05/19