

**133217 (TG800N)**
Work table 800 mm

Main Features

- Ideal for central positioning in the kitchen, either as island installation or back to back.

Construction

- 50 mm worktop in 304 AISI stainless steel, 10/10 in thickness with upturned edges and reinforced waterproof underpanel, incorporates a layer of sound deadening materials.
- 400 or 600 mm wide single drawer, chest of 4 drawers, lower shelf, three-sided underframe and set of castors as alternative to the feet, can be fitted as optional on all work tables.
- 40 mm-thick lower shelf (available as optional accessory on some models) slots easily into place at a height of 200 mm from the floor. Lower shelf is compulsory to install the chest of drawers.
- Square section legs and 40 mm height-adjustable feet in 304 AISI stainless steel.
- Table top slots into legs without using screws to facilitate installation.

Optional Accessories

PNC Code	Description
Doors and drawers	
855280	Single drawer GN 1/1, 400mm
855281	Single drawer, 600mm
855295	Additional drawer, 600mm (to set up a chest of 2, 3, 4 drawers)
855298	Additional drawer GN 1/1, 400mm (to set up a chest of 2, 3, 4 drawers)
Feet, wheels and ramps	
855150	Set of 4 wheels (2 with brake) d. 100mm for tables and sinks (total height on wheels= 993 mm)
Installation solutions	
865386	Floor fastening kit for 2 square legs

PNC Code	Description
Shelves	
855363	Lower shelf for 800 mm tables and sinks

Recommended Detergents

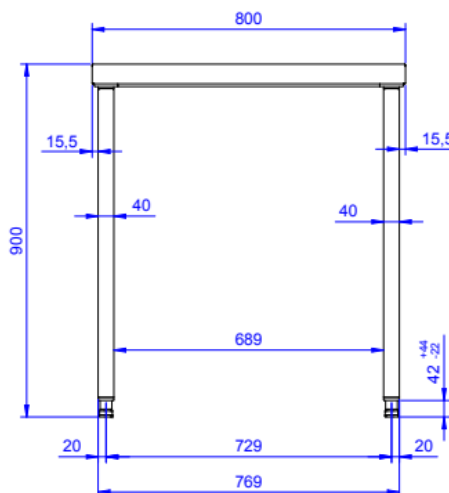
PNC Code	Description
0S2881	S01 STAINLESS STEEL SURFACE POLISHER; 6 BOTTLES X 750ML C/T
0S2883	S03 ALCOHOL BASE DETERGENT; 6 BOTTLES X 750ML; ADR&IMDG&IATA Limited Quantity
0S2884	S04 GLASSES & HARD SURFACES CLEANERS; 6 BOTTLES X 750ML
0S3257	S05 - MULTIPURPOSE DEGREASER; 6PCS X 750ML; ADR&IMDG Limited Quantity

Technical specifications

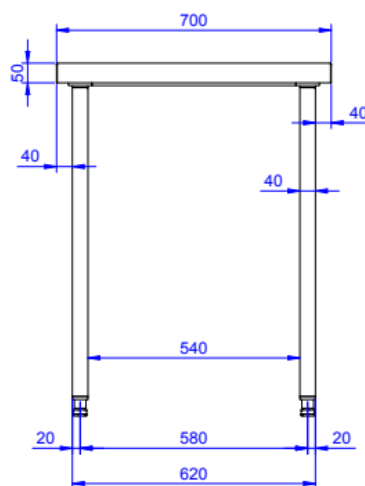
Key Information:

External dimensions, Width:	800 mm
External dimensions, Depth:	700 mm
External dimensions, Height:	900 mm
Worktop thickness:	50 mm
Net weight:	28 kg

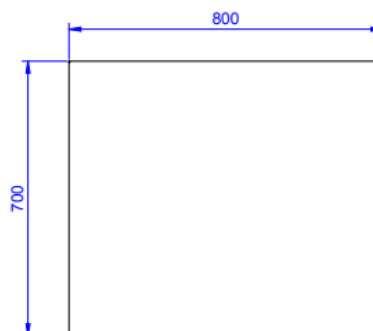
Front



Side



Top



DO = Overflow drain pipe