

**642000 (MP712BT)**

430 s/s wall hood with filters

Main Features

- Low noise level.
- External panels with upturned edges to avoid injuries.
- Prearranged for installation of lighting.

Construction

- Entirely constructed in 304 AISI stainless steel.
- Eyebolts and screw anchors for ceiling installation.
- 430 AISI stainless steel labyrinth filters easily removable for cleaning.
- Back drain pipe with drain hole to transfer grease into a 304 AISI container.
- 304 AISI stainless steel condensation collection tray.
- Labyrinth filters guarantee constant filtration to avoid clogging and to protect against fire.
- 304 AISI stainless steel blind panels for a correct exhaustion.
- Outlet holes are sized in order to minimize drops in pressure.

Optional Accessories

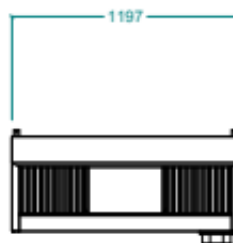
| PNC Code | Description |
|-------------------------------|---|
| Installation solutions | |
| 640409 | Drain for hoods diam.1/2" (m) with plug |
| Other accessories | |
| 640076 | 1-phase controller for exhausters up to 1,17 kw |
| 644800 | LED strip for hoods 650 mm |

Technical specifications

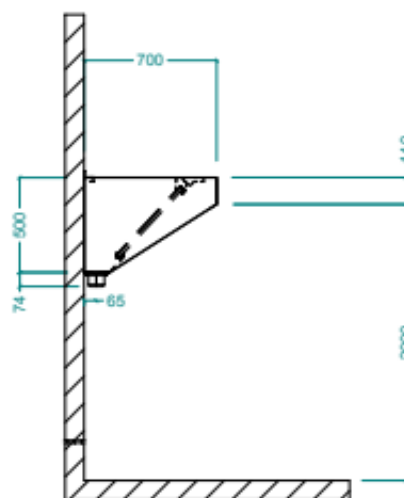
Key Information:

| | |
|------------------------------|-----------|
| External dimensions, Width: | 1200 mm |
| External dimensions, Depth: | 700 mm |
| External dimensions, Height: | 500 mm |
| Net weight: | 20 kg |
| Air Emission: | |
| Air capacity: | 1000 mc/h |

Front



Side



Top

