



Range Overview

700XP & 900XP Accessories

Contents

Accessories for specific functions

Accessories for gas ranges	4
Accessories for gas boiling top HP	5
Accessories for electric ranges	5
Accessories for induction ranges	6
Accessories for oven ranges	7
Accessories for fry tops	8
Accessories for grills	10
Accessories for multifunctional cookers	13
Accessories for fryers	14
Accessories for pasta cookers	18
Accessories for bain maries	23
Accessories for braising and boiling pans	23
Accessories for boiling pans	24
Accessories for cupboards and open bases	26
Accessories for refrigerated bases	28

Accessories for installation

Covering panels	29
Handrails	30
Chimney upstands	31
Junction sealing kit	32
Stands / supports	32
Salamander support	32
Pot rack	33
Stainless steel plinths	34
Cover panels for service duct	35
Installation on 100 mm concrete plinth	36
Support for bridge installation	37
Cantilever support	38
Cantilever support bars and cover panels	39
Wheels and flanged feet	40
Water columns	41

Accessories for gas ranges

206264



206170



Burner radiant plates

Range	700XP	900XP
PNC	206264	206170
Plate		only for 6kW burners
Material	cast iron	

- ▶ Solid top mode for gas burners and simple service

206363

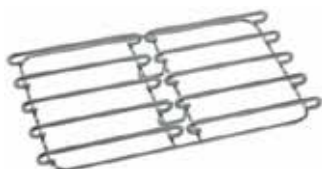


Wok support

Range	700XP and 900XP
PNC	206363
Material	stainless steel

- ▶ Wok pan support for open burners
- ▶ Except for 3-burner top 391024

206297
206298



Burner radiant plates

Range	700XP	900XP
PNC	206297	206298
Material	stainless steel	

- ▶ Pans support for gas burners

Accessories for gas boiling top HP

206283



Ground support for 3-burner gas boiling top (391024)

Range	900XP	
PNC	206283	
Material	stainless steel	

- ▶ Lets the 3-burner top 391024 be used like a stockpot

Accessories for electric ranges

206168
206056



Cast iron bars

Range	700XP	900XP
PNC	206168	206056
Material	cast iron	

- ▶ 2 cast iron bars to obtain 2 wider flat cooking zones
- ▶ 700XP for hot square plates only

Accessories for induction ranges



Induction pans

Range	700XP and 900XP		
PNC	653596	653597	653598
Material	stainless steel	aluminum	aluminum
Handle	stainless steel	stainless steel	stainless steel
Diameter	200 mm	240 mm	280 mm



Induction wok pans

Range	700XP and 900XP		
PNC	910613	911587	911588
Material	steel	stainless steel	stainless steel
Handle	wood	stainless steel	-
Diameter	360 mm	360 mm	360 mm
Height	105 mm	105 mm	-



Induction wok pans - design in line with wok cuvette

Range	700XP and 900XP	
PNC	911000	911003
Material	stainless steel	non-stick
Handle	stainless steel	stainless steel
Diameter	360 mm	360 mm
Height	100 mm	100 mm

Accessories for oven ranges



Chrome grid

Range	700XP and 900XP
PNC	164250
Oven	for static oven
Size	2/1 GN
Material	chrome

► 1 piece is included in standard delivery

206204



Chrome grid

Range	900XP
PNC	206204
Oven	for large oven
Size	972x687 mm
Material	chrome

► For codes 391015 and 391016; 1 piece is included in standard delivery

Accessories for fry tops

164255



206420

Scrapers

Range	700XP and 900XP	
PNC	164255	206420
Use on	smooth plate	ribbed plate

- ▶ 1 or 2 pieces, according to the surface type, is included in the standard delivery for the 700XP and 900XP chrome plated models

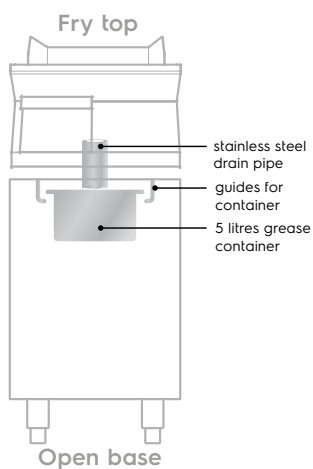
206346



Grease container

Range	700XP and 900XP	
PNC	206346	
Use on	smooth plate	

- ▶ Includes containers, guides, stainless steel drain pipe to convey the grease/oil from the fry top cooking surface to the container and front closing panel
- ▶ To be used with top, cupboard and open base



Accessories for fry tops

206296



Stopper

Range	700XP	900XP
PNC	206453	206296
Material	stainless steel	

- ▶ Stopper for fry top with horizontal plate - used to keep the grease released by the food on the frying plate
- ▶ Except for HP version

206153



Water drains

Range	900XP		
PNC	206153	216153	206345
Appliance width	400 mm	800 mm	1200 mm

216153



206345



206455

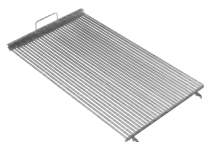


Cloche

Range	700XP and 900XP
PNC	206455
Material	stainless steel

Accessories for grills

206408



Grids for freestanding gas grills

Range	700XP		900XP	
PNC	206414	206410	206408	206404
Appliance width	400 mm	800 mm	400 mm	800 mm
Material	stainless steel			

- ▶ Grills are equipped with cast-iron grids with drainage channels as standard

206415



Grids with drain channels for freestanding grills

Range	700XP		900XP	
PNC	206415	206411	206409	206405
Appliance width	400 mm	800 mm	400 mm	800 mm
Material	stainless steel			

- ▶ Grills are equipped with cast-iron grids with drainage channels as standard

206415



206418



Grids with drain channels for top grills

Range	700XP		
PNC	206415	206416	206418*
Appliance width	400 mm	800 mm	400 mm
Material	stainless steel		
Note	grid	grid	support

- ▶ Grills are equipped with cast-iron grids with drainage channels as standard
- ▶ *Applied to the splashguard as a support to adjust the inclination of the grid. Order 2 pieces for 800 mm unit
- ▶ Except for electric Powergrill^{HP}

Accessories for grills

206422

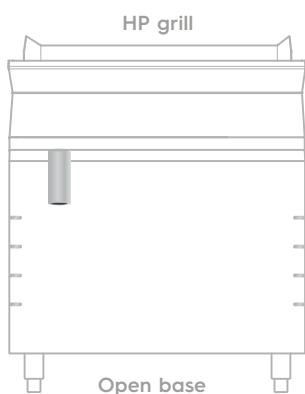


Scrapers for standard and HP grills

Range	700XP and 900XP			
PNC	206421	206422	206347	206436
Grid type	stainless steel with drain channels*	cast iron	cast iron	steel
Appliance type	standard	standard	HP gas	HP electric
Included		•		•
Note	scraper	scraper	scraper with hook	scraper

*Note: this accessory refers to stainless steel grids (available as an optional accessory for standard grills)

206437



Drain extension for HP electric grills

Range	700XP and 900XP
PNC	206437
Material	stainless steel
Note	to be used with 206257 (700XP) or 206145 (900XP)
Use on	smooth plate

- ▶ To be used as an alternative to standard drain together with a GN container to be ordered separately
- ▶ Water container capacity should be:
 - 4,5 l for 1/2 module 700XP
 - 8,8 l for 1 module 700XP
 - 12,7 l for 1+1/2 module 700XP
 - 6,7 l for 1/2 module 900XP
 - 13 l for 1 module 900XP
 - 20 l for 1/2 module 900XP

Accessories for grills

206280



Water filling taps

Range	700XP and 900XP	
PNC	206280	206281
Appliance width	400 mm	800 mm

► For gas and electric freestanding grills

206434



Heat deflectors

Range	700XP	900XP
PNC	206434	206435
Appliance typology	Electric HP grill	Electric HP grill

► Delivered as standard with Electric HP grills

921024



Cooking grids

Range	700XP	900XP
PNC	921024	921025
Appliance typology	Electric HP grill	Electric HP grill

► Delivered as standard with Electric HP grills

Accessories for multifunctional cookers

921689



921690



Lids

Range	700XP and 900XP	
PNC	921689	921690
Appliance width	400 mm	800 mm

► For gas and electric multifunctional cookers

164255



921694



Scrapers

Range	700XP and 900XP	
PNC	164255	921694
Note	scraper	blades with rounded corners

► Included in standard delivery

Accessories for fryers

960638



921608



Baskets for gas and electric fryers

Range	700XP	
PNC	960638	921608
Quantity	2	1
Size	half	full
Appliance typology	2x5 and 7 l	7 l

► 960638 is included in standard delivery

921629



921691



921692



Baskets for gas and electric fryers

Range	700XP		
PNC	921629	921691	921692
Quantity	1	1	2
Size	full	full	half
Appliance typology	12 l	14 and 15 l	14 and 15 l

► 921629 is included in standard delivery

921691



921692



206196



Baskets for gas and electric fryers

Range	700XP and 900XP	700XP	
PNC	921691	921692	206196
Quantity	1	2	1
Size	full	half	full
Included	1	1 for programmable	-
Appliance typology	14 and 15 l standard	14 and 15 l standard & programmable	15 l programmable

Accessories for fryers



Baskets for gas and electric fryers

Range	900XP			
PNC	927223	927226	927200	927201
Quantity	2	1	2	1
Size	half	full	half	full
Appliance typology	18 and 23 l	18 and 23 l	18 l	18 l
	standard		with a front hook*	

- ▶ 927223 is included in standard delivery
- ▶ * Can be used to block baskets on the top for oil dripping



Sediment trays

Range	700XP and 900XP	900XP
PNC	206235	921023
Appliance typology	15 l	23 l

- ▶ For freestanding V-shape fryers



Unclogging rods

Range	700XP and 900XP	900XP
PNC	921695	927227
Appliance typology	15 l	23 l

- ▶ For drain pipe of freestanding V-shape fryers

Accessories for fryers

921693



206359



200086



Oil filter for freestanding fryers

Range	700XP and 900XP	900XP	
PNC	921693	206359	200086
Appliance typology	7, 2x7, 14, 2x14, 15 and 2x15 l	18, 23* l	23 l**
Material	stainless steel		

- ▶ * Only for Gas Tube model PNC 391084
- ▶ **All 23 l fryers except the Gas Tube model

200086



200084
200085

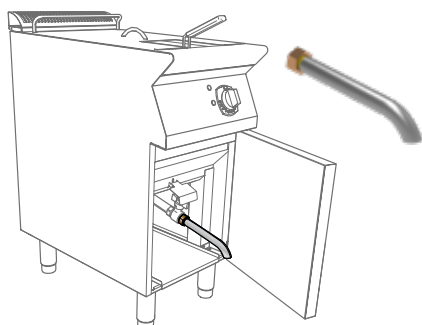


Advanced filtration system

Range	900XP		
PNC	200086	200084*	200085
Appliance typology	23 l with oil recirculation pump		
Material	stainless steel	stainless steel	paper
Included for 23 l	•	-	-

- ▶ *Kit for paper filter: mandatory for using paper filter

206209
206301



Extension for oil drainage

Range	700XP and 900XP	900XP
PNC	206301	206209
Appliance typology	15 l	23 l

- ▶ Compulsory when the fryer is installed on plinth

Accessories for fryers

200087



Extension with pump for oil drainage

Range	900XP
PNC	200087
Material	Highly resistant elastomer with stainless steel extremities
Appliance typology	23 l with oil recirculation pump

921696



960645



Deflectors

Range	700XP and 900XP	900XP
PNC	921696	960645
Appliance typology	15 l	23 l

- ▶ For floured products for freestanding V-shape fryers
- ▶ The deflector is lying on the inclined part of the well, in order to avoid the bread or flour released by the products to lie there and get burned.

206201



Hygienic lid for fryers

Range	900XP
PNC	206201
Appliance typology	23 l

- ▶ Standard lid delivered as standard for the 23 litres fryer model.

200171



Lid for oil container

Range	900XP
PNC	200171
Appliance typology	23 l

- ▶ Standard lid delivered as standard for the 23 litres fryer model.

Accessories for pasta cookers

921611



921610



Baskets

Range	700XP	
PNC	921611	921610
Quantity	1	2
Size	350x220 mm	170x220 mm
Appliance typology	24.5 and 24.5+24.5 l	24.5 and 24.5+24.5 l

- ▶ Baskets are not included as standard; only exception is programmable pasta cooker with automatic lifting (code 371100)

921619



Baskets

Range	700XP	
PNC	921619	
Quantity	2	
Size	105x350 mm	
Appliance typology	24.5 and 24.5+24.5 l	

- ▶ Baskets are not included as standard; only exception is programmable pasta cooker with automatic lifting (code 371100)

206381



Basket support for pasta cooker

Range	700XP	
PNC	206381	
Quantity	1	
Size	290 x 85 mm	
Appliance typology	24.5 and 24.5+24.5 l	

- ▶ To be used with 921619

Accessories for pasta cookers



Baskets and support for baskets

Range	700XP		
PNC	921020	921021	921022
Quantity	2	2	1
Max nr. of baskets per well	4	6	-
Size	105x160 mm	105x105 mm	230x350 mm
Appliance typology	24.5 and 24.5+24.5 l	24.5 and 24.5+24.5 l	24.5 and 24.5+24.5 l
Note	baskets	baskets	support h 60 mm

- ▶ Baskets are not included as standard; only exception is programmable pasta cooker with automatic lifting (code 371100)
- ▶ Support is mandatory

Accessories for automatic pasta cookers



Baskets and support for baskets

Range	700XP		
PNC	206312	206314	206362
Quantity	2	2	1
Size	115x163 mm	105x350 mm	350x230 mm
Appliance typology	automatic pasta cooker		
Note	baskets	baskets	support h 147 mm

- ▶ Support is recommended

Accessories for pasta cookers

206433



206237



Baskets

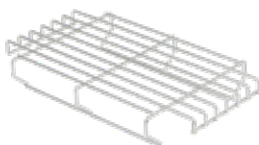
Range	900XP	
PNC	206433	206237
Quantity	2	1
Max nr. of baskets per well	6	2
Size	130x130 mm 6 fit in a 40 l well	135x310 mm 2 fit in a 40 l well
Appliance typology	40 and 40+40 l	40 and 40+40 l

► Code 206238 compulsory for: 206433 and 206237

206233



206238



Baskets and support for baskets

Range	900XP	
PNC	206233	206238
Quantity	1+2	1
Size	1x 1/3 GN + 2x135x310 mm	295x505 mm
Appliance typology	40 and 40+40 l	40 and 40+40 l
Note	baskets	support

► Code 206238 compulsory for: 206233

927216



927211



927210



Baskets

Range	900XP		
PNC	927216	927211	927210
Quantity	1	2	3
Size	1/1 GN	1/2 GN	1/3 GN
Appliance typology	40 and 40+40 l	40 and 40+40 l	40 and 40+40 l

Accessories for pasta cookers



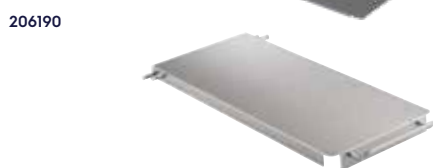
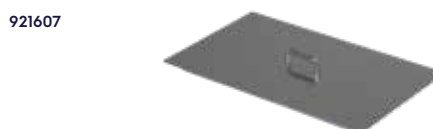
Round baskets

Range	900XP	
PNC	927212	927213
Quantity	3	6
Size	Ø 181 mm	Ø 145 mm
Appliance typology	40 and 40+40 l	40 and 40+40 l



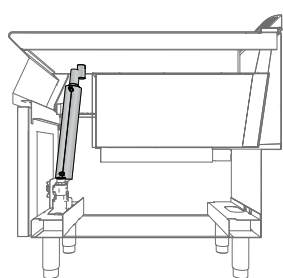
Supports for 40 l pasta cookers

Range	900XP	
PNC	927219	960644
Size	290x500x115 mm	330x535x10 mm
Note	grid support for round baskets (compulsory for 927212 and 927213)	support frame to hold 6 round baskets (alternative to 927219)



Lids and lid holder

Range	700XP	900XP
PNC	921607	206190
Size	24.5 l and 24,5 + 24,5 l	40 l and 40+40 l
Appliance typology	lid	lid and lid holder



Energy Saving Device

Range	700XP and 900XP	
PNC	206344	
Note	1 per well needed	

- Used to preheat fresh water to refill the well, thus saving energy

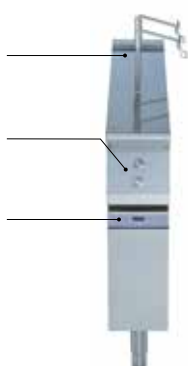
Accessories for pasta cookers

206352

2 Lifting arms

Push-buttons for manual use or cooking cycle start




User interface (9 programs storable)



Programmable basket lifting unit

Range	700XP
PNC	206352
Dimension	200 mm wide

Available baskets

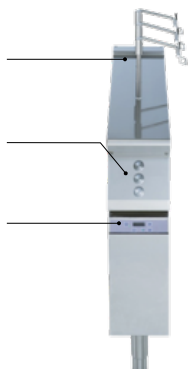
	921610	2 baskets 170x220 mm see page 20
	921020	2 baskets 156x172 mm see page 21
	206396	frame/support for 2 single portion baskets for 921020

206353

3 Lifting arms

Push-buttons for manual use or cooking cycle start




User interface (9 programs storable)



Programmable basket lifting unit

Range	900XP
PNC	206353
Dimension	200 mm wide

Available baskets

	927210	3 X 1/3GN baskets see page 22
	206433	2 basket 130x130 mm see page 22
	206395	frame/support for 2 single portion baskets for 206433

Accessories for bain maries

921622



Drilled false bottoms

Range	700XP and 900XP	
PNC	921622	921623
Appliance width	400 mm	800 mm

921627



Water filling tap

Range	700XP and 900XP	
PNC	921627	
Material	stainless steel	

- ▶ Flush installation of GN container in proximity of the tap in the bain-marie is not possible. To maintain full GN compatibility with a water filling tap, it is suggested to install a work top with water column next to the bain-marie.

Accessories for braising and boiling pans

922403



Trolleys with lifting and removable tank

Range	700XP and 900XP	
PNC	922403	
Material	stainless steel	

Accessories for boiling pans

921626



Basket

Range	700XP and 900XP
PNC	921626
Appliance typology	60 l
Note	1-section basket

► To make your boiling pan work as a pasta cooker!

925018



Basket

Range	900XP
PNC	925018
Appliance typology	100 l
Note	2-section universal basket

► To make your boiling pan work as a pasta cooker!

925019



Basket

Range	900XP
PNC	925019
Appliance typology	150 l
Note	2-section universal basket

► To make your boiling pan work as a pasta cooker!

Accessories for boiling pans

206279



Automatic depressurization kit

Range	900XP		
PNC	206279		
Appliance typology	100 and 150 l		

- ▶ For indirect heating boiling pans (double jacketed)
- ▶ If not installed: depressurization of the double-jacket must be done manually

927222



Water additive against corrosion

Range	700XP and 900XP		
PNC	927222		
Appliance typology	100 and 150 l indirect heating		

- ▶ For indirect heating boiling pans
- ▶ 1 container of water additive against corrosion is already included in the standard appliances delivery

927001



Measuring rods

Range	900XP		
PNC	927000	927001	927002
Appliance typology	60 l	100 l	150 l

Accessories for cupboards and open bases

206350



Door for open base

Range	700XP and 900XP
PNC	206350

- ▶ Same for left and right-side door

206259



Electric heating kit for cupboard

Range	700XP and 900XP
PNC	206259
Size	360x510x60 mm
Electric conn.	230V 1ph 50/60 Hz
Power	0.65 kW

- ▶ To be fixed on the bottom of the base
- ▶ The base has to be with doors and can not be used as holding cabinet for food
- ▶ Only in combination with gas cookers and ambient worktops

206245



Central support

Range	700XP and 900XP
PNC	206245
Note	central support for installation of drawers and grids (on 800/1200 mm bases) and of doors (on 1200 mm bases)

- ▶ Needed for installation of drawers and grid runners (1 piece for 800 mm)
- ▶ Needed for installation of drawers and grid runners (2 pieces for 1200 mm) or only doors (1 piece for 1200 mm)

Accessories for cupboards and open bases

206244



Supports with side runners

Range	700XP		900XP
PNC	206257	206244	206145
Note	2 supports with side runners for 4 GN 1/1 containers for open base 371112, 371113, 371114, 371263, 371264 and 371265	2 supports with side runners for 4 GN 1/1 containers for cupboards	2 supports with side runners for 4 GN 1/1 containers for open base or cupboards

206318



Drawers

Range	700XP	900XP
PNC	206318	206334
Quantity	2	2
Height	100 mm	100 mm

Accessories for refrigerated bases

206351



Drawers

Range	700XP
PNC	206351
Quantity	2

Note: only for versions with drawers. Guides are included.

Installation accessories

Covering panels

216000
216134



Aesthetical side covering panels

Range	700XP	900XP
PNC	216000*	216134*
Appliance typology	freestanding 700 mm high	freestanding 700 mm high

- ▶ The code includes 2 side covering panels
- ▶ * Should be ordered as a special in case of installation on ref-freezer base (code 727982)

216277
216278



Aesthetical side covering panels

Range	700XP	900XP
PNC	216277	216278
Appliance typology	top 250 mm high	top 250 mm high

- ▶ The code includes 2 side covering panels

206373



Rear covering panels

Range	700XP and 900XP			
PNC	206373	206374	206375	206376
Size	600 mm	800 mm	1000 mm	1200 mm

- ▶ For island installation to cover the back of the appliances

Installation accessories

Handrails

216047



Front handrails 50 mm depth

Range	700XP and 900XP			
PNC	216046	216047	216049	216050
Size	400 mm	800 mm	1200 mm	1600 mm

206308



Back handrails 50mm depth

Range	700XP and 900XP	
PNC	206308	206309
Size	800 mm	1200 mm

► To be used for island installation

206307



Side handrails 50 mm depth

Range	700XP	900XP
PNC	206307	216044
Note	2 pieces: right and left side	2 pieces: right and left side

216185



Portioning shelves 140 mm depth

Range	700XP and 900XP	
PNC	216185	216186
Size	400 mm	800 mm

Note: none can be mounted to 700XP induction and infrared units.

Installation accessories

Chimney upstands

206304



Chimney upstands

Range	700XP and 900XP				
PNC	206302	206303	206304	206305	206306
Width	200 mm	400 mm	800 mm	1000 mm	1200 mm

206400



Chimney grid nets

Range	700XP and 900XP			
PNC	206399	206400	206402	206403
Width	200 mm	400 mm	500 mm	590 mm

- ▶ Chimney grid nets can be used on standard chimneys or on chimney upstands.
- ▶ Number of chimney grid nets depends on XP units chimney dimension.
- ▶ In some case more than 1 grid net is needed to cover the chimney.

Installation accessories

Junction sealing kit

206086



Junction sealing kit

Range	700XP and 900XP
PNC	206086
Note	junction sealing kit to fill any possible gap between side-by-side appliances and prevent from any dirt infiltration

Installation accessories

Stands / supports

206183



Stand / supports (shelves)

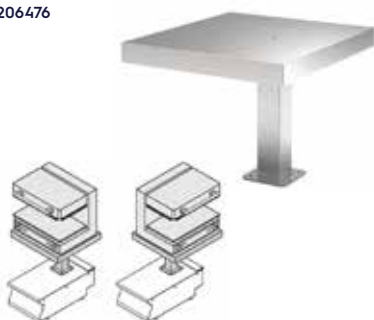
Range	900XP	
PNC	206183	206184
Width	400 mm	800 mm
Note	to be installed on the neutral work tops	

► Can not be used with Salamanders

Installation accessories

Salamander support

206476



Salamander support

Range	700XP and 900XP
PNC	206476
Width	610 mm
Note	to be installed on 400 mm neutral work tops without drawers

► Can be rotated according to your layout

Installation accessories

Pot rack - 5 PNC's - multiple configurations



206473

206471

206474

Supporting columns on neutral elements

Range	700XP and 900XP		
PNC	206473	206471	206474
Width	200 mm (side)	400 mm (side)	400 mm (central)

- ▶ Can not be used with Salamanders
- ▶ Neutral elements can be with or without drawers

Extension element

206472



Range	700XP and 900XP	
PNC	206472	
Width	400 mm	
Note	to be installed between supporting columns	

- ▶ Create the length desired using the number of extension elements desired. If installing more than 4 extension elements (206472), the central support column (206474) is required
- ▶ Can not be used with Salamanders

Side wall mounting bracket

206475



Range	700XP and 900XP	
PNC	206475	
Width	300 mm	
Note	used to mount pot rack to side wall	

- ▶ Can not be used with Salamanders



Note: Pot rack cannot be installed on gas units with chimney or units with lid that can interfere. Use the NEW configurator for more details. Image shows an example of a pot rack configuration and the salamander support (cod. 206476).

Installation accessories

Stainless steel plinths



Frontal kicking strips

Range	700XP and 900XP					
PNC	206174	206175	206176	206177	206178	206179
Width	200 mm	400 mm	800 mm	1000 mm	1200 mm	1600 mm
Appliance typology	all*	all*	all*	all*	all*	all*

▶ * Except 23 l fryer and ref-freezer base

Frontal kicking strips

Range	900XP	
PNC	206203	880336
Appliance typology	23 l fryers	ref-freezer base

Side kicking strips

Range	700XP	900XP	900XP
PNC	206249	206180	880221
Width	700 mm	900 mm	900 mm
Appliance typology	all*	all*	ref-freezer base

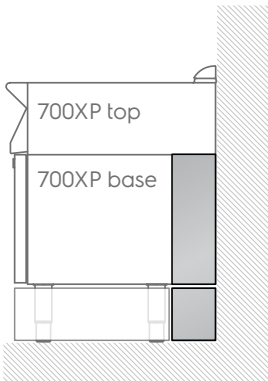
▶ * Except ref-freezer base

Kicking strips final effect



- ▶ Front and side kicking strips are aesthetic and hygienic elements, but they do not support the appliance's weight (that is the feet's task)
- ▶ Front kicking strips can be mounted on the back side if needed

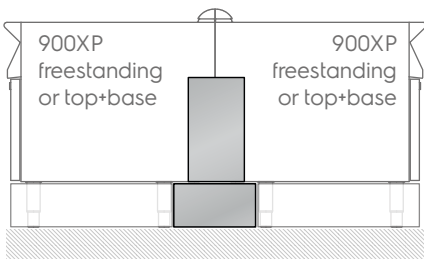
Cover panels for service duct



Kit of panels for service duct

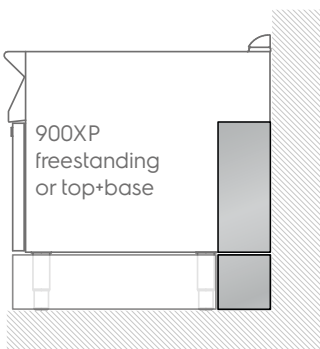
Range	700XP
PNC	206248
Note	kit of panels for service duct for installation top on base
Size	300x40x160 mm

- ▶ Freestanding versions of 700XP are without service duct
- ▶ Service duct cover panels are not needed in case aesthetical cover panels (code 216000) are ordered



Kit of panels for service duct

Range	900XP
PNC	206202
Note	kit of panels for service duct for back to back installation
Size	900x20x150 mm

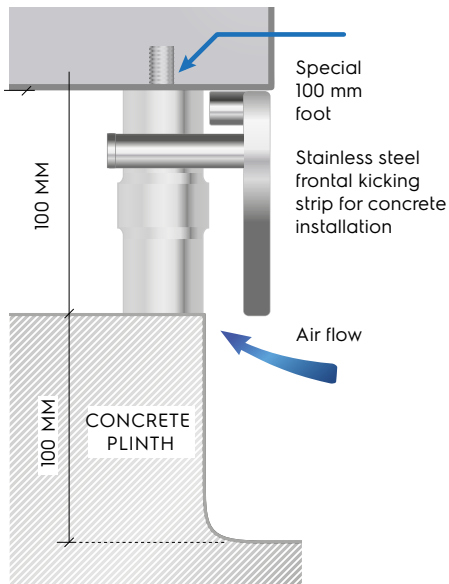


Kit of panels for service duct

Range	900XP
PNC	206181
Note	kit of panels for service duct for installation top on base or for freestanding units
Size	300x40x160 mm

- ▶ Service duct cover panels are not needed in case aesthetical cover panels (code 216134) are ordered

Installation on 100 mm concrete plinth



Special feet for concrete installation

Range	700XP and 900XP
PNC	206210
Note	Except for: 900XP programmable fryers

- ▶ 1 kit per appliance
- ▶ The concrete plinth must be 100 mm high in order to have the worktop at 900 mm height: special feet for concrete installation are adjustable in height from 85 mm to 135 mm
- ▶ Concrete installation is not possible for re-freezer base

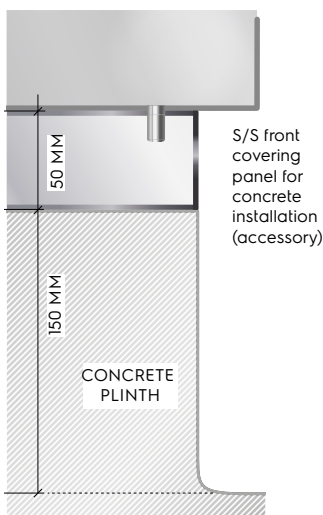
Frontal kicking strips

Range	700XP and 900XP					
PNC	206146	206147	206148	206150	206151	206152
Width	200 mm	400 mm	800 mm	1000 mm	1200 mm	1600 mm

Side kicking strips

Range	700XP	900XP
PNC	206265	206157

Installation on 150 mm concrete plinth Special execution



Special execution for installation on concrete plinth h=150mm available on request

Range	700XP and 900XP
-------	-----------------

- ▶ To be requested as special execution
- ▶ Special frame for installation
- ▶ Available for all appliances except for ref-freezer base (code 729631) and some limitations for freestanding fryers due to the oil collection basin which cannot be installed

Support for bridge installation

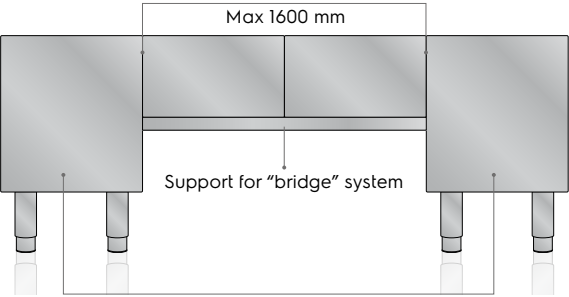
206137



Supports for bridge installation

Range	700XP and 900XP					
PNC	206154	206137	206138	206139	206140	206141
Width	400 mm	800 mm	1000 mm	1200 mm	1400 mm	1600 mm

► Only for top appliances

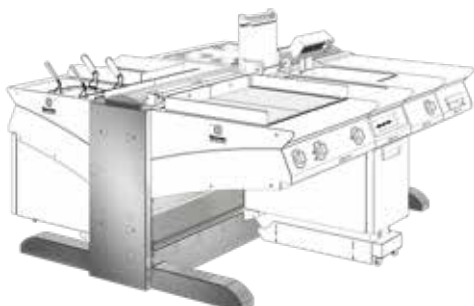


400/800 mm freestanding or "top on base" appliances (it is recommended to use flanged feet for 400 mm appliances)

Note: Bridge configuration is now available in NEW XP configurator. Bridge installation is not possible onto a braising pan

Installation accessories

Cantilever supports and panels



Central supports with service duct

Range	700XP and 900XP				
PNC	206477	206478	206479	206480	206481
Size	2000 mm	2400 mm	2800 mm	3200 mm	3600 mm

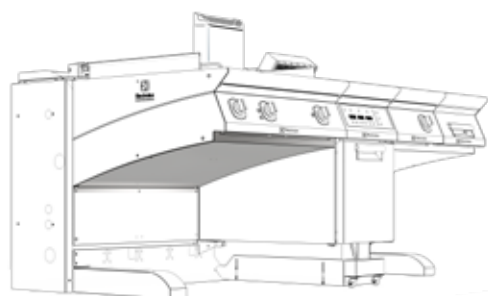
- Includes support frame, cover panels of central column, lower frontal cover panels of the support frame, top cover panel and feet



Wall type supports with service duct

Range	700XP and 900XP				
PNC	206482	206483	206484	206485	206486
Size	2000 mm	2400 mm	2800 mm	3200 mm	3600 mm

- Special frame for wall installation
- Includes support frame, cover panels of central column, lower frontal cover panels of the support frame, top cover panel and feet



Undercover panels

Range	700XP			
PNC	206487	206488	206489	206490
Size	200 mm	400 mm	800 mm	1200 mm

Undercover panels

Range	900XP			
PNC	206491	206492	206493	206494
Size	200 mm	400 mm	800 mm	1200 mm

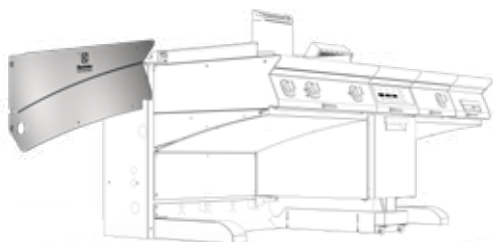
Undercover panels for induction units

Range	900XP	
PNC	206503	206504
Size	400 mm	800 mm

Note: Ask your local Electrolux Professional Sales representative for the NEW XP Cantilever Configurator. Cantilever installation is possible with all XP top and monoblock units excluding refrigerated bases

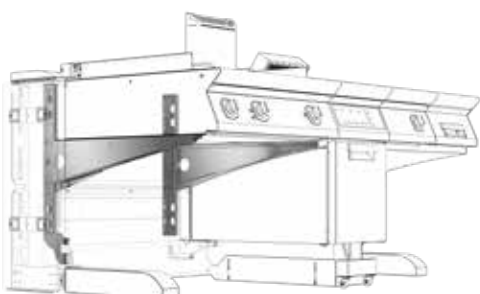
Installation accessories

Cantilever cover panels and support bars



2 aesthetic side cover panels

Range	700XP	900XP
PNC	206497	206500



2 support bars for top units

Range	700XP	900XP
PNC	206495	206496



Kit to install freestanding units on cantilever

Range	700XP and 900XP
PNC	206506

Kit to install open bases 200mm, NitroChrome3 fry top 1200mm and braising pans on cantilever

Range	700XP and 900XP
PNC	206507

Kit to connect additional cantilever structures

Range	700XP and 900XP
PNC	206508

Note: Ask your local Electrolux Professional Sales representative for the NEW XP Cantilever Configurator

Installation accessories

Wheels and flanged feet

206135



Wheels

Range	700XP and 900XP		
PNC	206135	206432	880234*
Appliance	4 wheels (2 with brakes)	6 wheels (3 with brakes)	4 wheels for ref-freezer base

▶ *No support bar needed

Supports for hygienic installation on feet or wheels - crosswise



Range	700XP and 900XP					
PNC	206366	206431	206367	206368	206369	206370
Appliance typology	all*	all*	all*	all*	all*	all*
Width	400 mm	600 mm	800 mm	1200 mm	1600 mm	2000 mm

▶ *Except 700XP 6 burner range with large oven, 900XP 23 l fryers and pasta cookers and refrigerated bases (see length-wise supports below)
▶ Not for top appliances

Supports for hygienic installation on feet or wheels - lengthwise

Range	700XP		900XP	
PNC	206371	206444	206430	206372
Quantity	2	3	3	2
Appliance	6 burner range with large oven	ref. bases	ref. bases	23 l fryers and pasta cookers

206136



Flanged feet

Range	700XP and 900XP	
PNC	206136	
Quantity	2	

Note: braising pans can not be installed on wheels

Installation accessories

Water columns

206377



Flow meter

Range	700XP	900XP
PNC	206377	206378

- ▶ Top equipped with water column and liter counter

206289



Water column with swivel arm

Range	700XP and 900XP
PNC	206289

- ▶ Cannot be installed on: Fryers, Chip scuttles, Induction, Bases (neutral, freezer, refrigerated), 700 infrared and induction tops

206291

206290



Water column extension

Range	700XP	900XP
PNC	206291	206290

- ▶ Not needed when the water column inlet can be reached directly with the flexible water hose from the water net
- ▶ Both codes contain two extensions of different length
- ▶ Mandatory for 900XP installations

206231



External support for water column

Range	700XP and 900XP
PNC	206231

- ▶ To install the water column on the side or rear of the appliance

Request an offer to personalize your cooking area

Name.....
.....
Company.....
.....
Address.....
.....

E-mail.....
Telephone.....
Fax.....

Item name	PNC	Quantity

Look for the Electrolux Professional partner nearest to you in our website: electroluxprofessional.com



Dealer stamp

Electrolux
PROFESSIONAL
AUTHORIZED PARTNER



Excellence is central to everything we do.
By anticipating our customers' needs, we strive for
Excellence with our people, innovations, solutions and services.
To be the OnE making our customers' work-life easier,
more profitable – and truly sustainable every day.

Follow us on



www.electroluxprofessional.com

Excellence with the environment in mind

- ▶ All our factories are ISO 14001-certified
- ▶ All our solutions are designed for low consumption of water, energy, detergents and harmful emissions
- ▶ In recent years over 70% of our product features have been updated with the environmental needs of our customers in mind
- ▶ Our technology is RoHS and REACH compliant and over 95% recyclable
- ▶ Our products are 100% quality tested by experts

