



Range Overview

ProThermetic Accessories

Contents

Strainers for dumplings	4
Drain strainers	7
Base plates	8
Baskets	9
Suspension frames and GN containers	10
False bottoms	11
Shovels & Scrapers	12
Water mixing taps	13
Water mixing taps & Food taps	15
Automatic water fillings & Spray guns	16
Drain stand pipes	17
Stirrers	18
Measuring rods	21
Food tap strainers	23
Additional factory fitted accessories	24
Rear closing kits	27
Lower back panels	30
C-Boards (Backsplash)	31
Stainless steel plinths	32
Bottom plates with feet	37
Sets of feet	38
Installation accessories	39
End rails & Side panels	40
Connection kits	46



Factory fitted accessories
to be requested together with
the machine as can not be
installed in field



Accessories to be
used with machines of
indicated depth

Note for US market: check availability of accessories for US with your local representative or with the factory

Strainers for dumplings



Strainers for dumplings

Range	Stationary Round Boiling Pans		
Appliance typology	60 L	100 L	150 L
Size WxDxH	484x220x60 mm	610x220x60 mm	750x220x60 mm
Hole diameter	10 mm		
PNC	910051	910053	910055
Material	Stainless Steel AISI 304 - DIN 1.4301		



Strainer for dumplings

Range	Stationary Rectangular Boiling Pans			
Appliance typology	80 L	200 L	300 L	400 L
Size WxDxH	610x220x60 mm			
Hole diameter	10 mm			
PNC	910053			
Material	Stainless Steel AISI 304 - DIN 1.4301			



Strainer for dumplings

Range	Stationary Braising and Pressure Braising Pans
Appliance typology	All models
Size WxDxH	610x220x60 mm
Hole diameter	10 mm
PNC	910053
Material	Stainless Steel AISI 304 - DIN 1.4301

Strainers for dumplings



Strainers for dumplings

Range	Tilting Boiling Pans		
Appliance typology	60 L	100 L	150 L
Size WxDxH	545x220x60 mm	675x220x60 mm	750x220x60 mm
Hole diameter	10 mm		
PNC	910052	910054	910055
Material	Stainless Steel AISI 304 - DIN 1.4301		



Strainers for dumplings

Range	Tilting Boiling Pans			
Appliance typology	200 L	300 L	400 L	500 L
Size WxDxH	844x220x60 mm	932x220x60 mm		
Hole diameter	7 mm	10 mm		
PNC	910056	910057		
Material	Stainless Steel AISI 304 - DIN 1.4301			

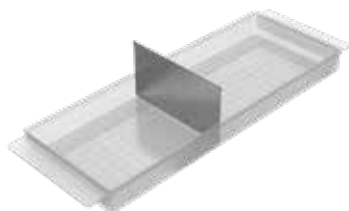


Strainer for dumplings

Range	Tilting Braising and Pressure Braising Pans
Appliance typology	All models*
Size WxDxH	610x220x60 mm
Hole diameter	10 mm
PNC	910053
Material	Stainless Steel AISI 304 - DIN 1.4301

► *Note: excluding 80 liters tilting braising pans

Strainers for dumplings



Scraper for dumplings strainer

Range	All ProThermetic
Appliance typology	For all Strainers
Size WxDxH	214x120x1.5 mm
PNC	910058
Material	Stainless Steel AISI 304 - DIN 1.4301

Drain strainers



Drain strainers

Range	Tilting Boiling Pans		
Appliance typology	60 L	100 L	150 L
Size WxDxH	580x325x45 mm	700x405x45 mm	760x435x45 mm
Hole diameter	4.5 mm		
PNC	910001	910003	910004
Material	Stainless Steel AISI 304 - DIN 1.4301		



Drain strainers

Range	Tilting Boiling Pans	
Appliance typology	200 L	300/400/500 L
Size WxDxH	830x460x45 mm	940x505x45 mm
Hole diameter	4.5 mm	
PNC	910005	910006
Material	Stainless Steel AISI 304 - DIN 1.4301	



Drain strainers

Range	Tilting Pressure Braising Pans	
Appliance typology	90 L	170 L
Size WxD	700x270 mm	1070x270 mm
Hole diameter	5.5 mm	
PNC	913575	913574
Material	Stainless Steel AISI 304 - DIN 1.4301	

Base plates



Base plates for boiling pans

Range	Stationary Boiling Pans		
Appliance typology	60 L	100 L	150 L
Size WxDxH	453x453x25 mm	567x567x25 mm	698x698x25 mm
PNC	910030	910032	910034
Material	Stainless Steel AISI 304 - DIN 1.4301		



Base plates for boiling pans

Range	Tilting Boiling Pans		
Appliance typology	60 L	100 L	150 L
Size WxDxH	507x507x25 mm	628x628x25 mm	698x698x25 mm
PNC	910031	910033	910034
Material	Stainless Steel AISI 304 - DIN 1.4301		



Base plates for boiling pans

Range	Tilting Boiling Pans	
Appliance typology	200 L	300/400/500 L
Size WxDxH	788x788x25 mm	888x888x25 mm
PNC	910035	910036
Material	Stainless Steel AISI 304 - DIN 1.4301	

Baskets



Baskets for boiling pans

Range	Stationary Boiling Pans		
Appliance typology	60 L	100 L	150 L
Size WxDxH	453x453x124 mm	567x567x124 mm	698x698x124 mm
Hole diameter	8 mm		
PNC	910020	910022	910024
Material	Stainless Steel AISI 304 - DIN 1.4301		

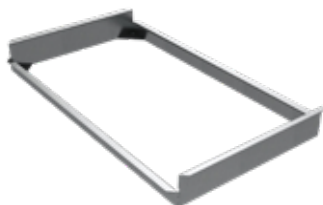


Baskets for boiling pans

Range	Tilting Boiling Pans			
Appliance typology	60 L	100 L	150 L	200 L
Size WxDxH	507x507x124 mm	628x628x124 mm	698x698x124 mm	788x788x124 mm
Hole diameter	8 mm			
PNC	910021	910023	910024	910025
Material	Stainless Steel AISI 304 - DIN 1.4301			

- Baskets for 300 liters and 400 liters boiling pans are available on request with S-code

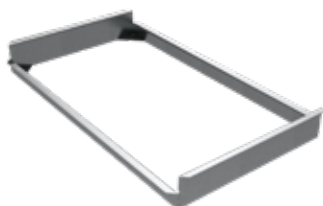
Suspension frames and GN containers



Suspension frames GN 1/1

Range	Tilting Pressure Braising Pans	Tilting Braising Pans
Appliance typology	60/90 L - 2 pcs 100/170 L - 3 pcs	60/90 L - 2 pcs 100/170 L - 3 pcs
PNC	910191	912709
Material	Stainless Steel AISI 304 - DIN 1.4301	

- ▶ Needed in order to accommodate GN 1/1 containers inside the cooking vessel.
- ▶ According to the capacity of the cooking vessel, the optimal number of pieces is showed.



Suspension frame GN 1/1

Range	Stationary Braising and Pressure Braising Pans	Stationary Pressure Boiling Pans	Stationary Rectangular Boiling Pans
Appliance typology	80/110 L - 2 pcs 120/170 L - 3 pcs	200 L - 2 pcs 300 L - 3 pcs	80 L - 1 pcs 200 L - 2 pcs 300 L - 3 pcs 400 L - 4 pcs
PNC	910191		
Material	Stainless Steel AISI 304 - DIN 1.4301		

- ▶ Needed in order to accommodate GN 1/1 containers inside the cooking vessel.
- ▶ According to the capacity of the cooking vessel, the optimal number of pieces is showed.



Perforated GN 1/1 containers with handles

Range	Braising and Pressure Braising Pans		
Height	100 mm	150 mm	200 mm
PNC	910211	910212	911673
Material	Stainless Steel AISI 304 - DIN 1.4301		

False bottoms



False bottom GN 1/1

Range	Tilting Braising and Pressure Braising Pans	Stationary Braising and Pressure Braising Pans
Appliance typology	60/80/90 L - 2 pcs 100/170 L - 3 pcs	80/110 L - 2 pcs 125/170 L - 3 pcs
Size WxDxH	535x335x30 mm	
PNC	910201	
Material	Stainless Steel AISI 304 - DIN 1.4301	

- ▶ According to the capacity of the cooking vessel, the optimal number of pieces is showed.

False bottoms for rectangular boiling pans



Range	Stationary Rectangular Boiling Pans and Pressure Braising Pans			
Appliance typology	80 L	200 L	300 L	400 L
Size WxDxH	550x350x70 mm	550x680x70 mm	550x1040x70 mm	550x1380x70 mm
PNC	910181	910182	910183	910184
Material	Stainless Steel AISI 304 - DIN 1.4301			

Shovels & Scrapers

911577



911578



Shovels

Range	Braising and Pressure Braising Pans	
Type	Perforated	Not Perforated
Size WxDxH	150x331x168 mm	
PNC	911577	911578
Material	Stainless Steel AISI 304 - DIN 1.4301	

911579



913431



913432



Scrapers

Range	Braising and Pressure Braising Pans		
Type	With horizontal handle	Without handle	With vertical handle
Size WxDxH	200x135x125 mm	545x4x150 mm	545x4x600 mm
PNC	911579	913431	913432
Material	Stainless Steel AISI 304 - DIN 1.4301		

Water mixing taps



Manual water mixing taps KWC



Range	All Tilting, factory fitted	
Type	with knobs	with lever
Height	525 mm	575 mm
Swivelling depth	600 mm	450 mm
PNC	913567	913568

- ▶ Installed on the left side on tilting.
- ▶ Installed on the right side on stationary.
- ▶ Versions, with swivelling arms of depth 600 mm, can serve two appliances
- ▶ Drip-stop not included on mixing tap with lever



Drip stop for KWC mixing taps with lever

Range	All ProThermetic
PNC	911933

- ▶ Prevents any drip of the residual water from the spout.
- ▶ Mixing tap with knobs have the drip stop as standard.



Manual water mixing taps Klarco



Range	Tilting Braising Pans and Boiling Pans, factory fitted			
Type	with knobs			
Height	815 mm		685 mm	
Swivelling depth	600 mm	450 mm	600 mm	450 mm
PNC	913554	913555	913556	913557

- ▶ Installed on the left side.
- ▶ Versions, with swivelling arms of depth 600 mm, can serve two appliances
- ▶ Drip-stop included.

Water mixing taps



Manual water mixing taps Klarco



Range	Tilting Pressure Braising Pans, factory fitted	
Type	with knobs	with lever
Height	685 mm	
Swivelling depth	600 mm	
PNC	913565	913566

- ▶ Installed on the left side on tilting units
- ▶ These versions, with swivelling arms of depth 600 mm, can serve two appliances
- ▶ Drip-stop included.

Water mixing taps & Food taps



Cover plates with water mixing tap for U.S.A.



Range	All Tilting, factory fitted	
Type	lever handles	
Appliance depth	900 mm	1000 mm
Height	267 mm (10 ½")	
Swivelling depth	460 mm (8 ⅞")	
PNC	911819	911821
Material	Stainless Steel AISI 304 - DIN 1.4301	

- ▶ Installed on the left side.
- ▶ One mixing tap can serve two appliances.



Food taps 2"



Range	Tilting Braising and Pressure Braising Pans, factory fitted	Tilting Boiling Pans, factory fitted
PNC	912780	912779



2" tangent draw-off valve for U.S.A.

Range	Tilting Boiling Pans
PNC	913571

- ▶ Standard on U.S. versions of boiling pan

Automatic water fillings & Spray guns



Automatic water fillings



Range	All Tilting, factory fitted
Type	cold and hot water
PNC	912735

- ▶ Tilting appliances require a mixing tap to be ordered separately.
- ▶ Operated with the touch control. Quantity with 1 liter step.



Automatic water fillings



Range	All Stationary, factory fitted	Stationary Pressure Pans, factory fitted
Type	cold and hot water	cold and hot water
PNC	912736	912797

- ▶ Operated with the touch control. Quantity with 1 liter step.



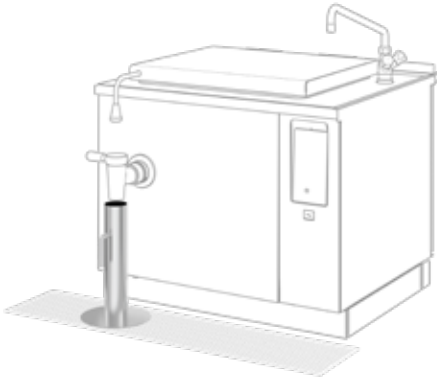
Spray guns



Range	All Tilting, factory fitted		
Height	400 mm	700 mm	800 mm
PNC	912775	912776	912777

- ▶ Installed on the left side.
- ▶ One spray gun can serve more appliances.
- ▶ Comes without mixing tap.

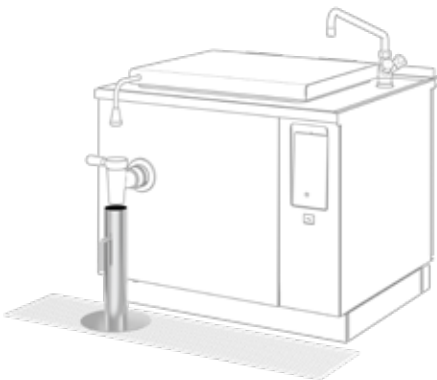
Drain stand pipes



Drain stand pipes

Range	Stationary Round Boiling Pans	
Appliance typology	60 L	100/150 L
PNC	913426	913427
Material	Stainless Steel AISI 304 - DIN 1.4301	

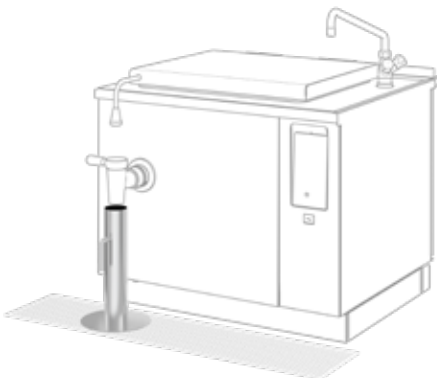
- ▶ Placed under the food tap avoids water splashes on the floor.



Drain stand pipes

Range	Stationary Rectangular Boiling Pans	
Appliance typology	80 L	200/300/400 L
PNC	913428	913429
Material	Stainless Steel AISI 304 - DIN 1.4301	

- ▶ Placed under the food tap avoids water splashes on the floor.

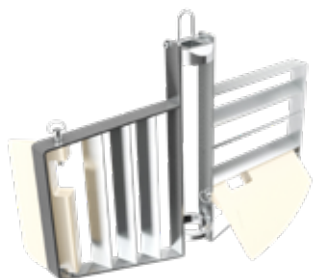


Drain stand pipes

Range	Stationary Braising Pans	
Appliance typology	80/125 L	110/170 L
PNC	913430	912478
Material	Stainless Steel AISI 304 - DIN 1.4301	

- ▶ Placed under the food tap avoids water splashes on the floor.

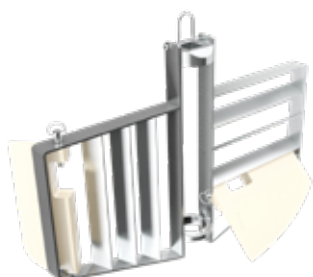
Stirrers



Stirrers with scrapers

Range	Tilting, Electric and Steam Powered Round Boiling Pans		
Appliance typology	60 L	100 L	150 L
PNC	910091	910093	910094
Material	Stainless Steel AISI 304 - DIN 1.4301		

- ▶ Not included with the boiling pan, must be ordered separately
- ▶ To be ordered for boiling pans predisposed for stirrer only.



Stirrers with scrapers

Range	Tilting, Electric and Steam Powered Round Boiling Pans			
Appliance typology	200 L	300 L	400 L	500 L
PNC	910095	910096	910097	913570
Material	Stainless Steel AISI 304 - DIN 1.4301			

- ▶ Not included with the boiling pan, must be ordered separately
- ▶ To be ordered for boiling pans predisposed for stirrer only.



Stirrers without scrapers

Range	Tilting, Electric and Steam Powered Round Boiling Pans		
Appliance typology	60 L	100 L	150 L
PNC	910061	910063	910064
Material	Stainless Steel AISI 304 - Din 1.4301		

- ▶ Not included with the boiling pan, must be ordered separately
- ▶ To be ordered for boiling pans predisposed for stirrer only.

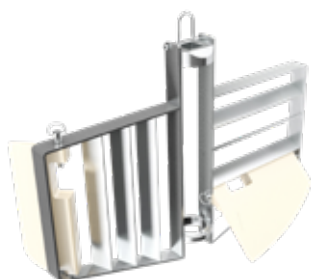
Stirrers



Stirrers without scrapers

Range	Tilting, Electric and Steam Powered Round Boiling Pans			
Appliance typology	200 L	300 L	400 L	500 L
PNC	910065	910066	910067	913569
Material	Stainless Steel AISI 304 - Din 1.4301			

- ▶ Not included with the boiling pan, must be ordered separately
- ▶ To be ordered for boiling pans predisposed for stirrer only.



Stirrers with scrapers

Range	All Stationary Round Boiling Pans		
Appliance typology	60 L	100 L	150 L
PNC	912729	912730	910094
Material	Stainless Steel AISI 304 - Din 1.4301		

- ▶ Not included with the boiling pan, must be ordered separately
- ▶ To be ordered for boiling pans predisposed for stirrer only.



Stirrers without scrapers

Range	All Stationary Round Boiling Pans		
Appliance typology	60 L	100 L	150 L
PNC	912726	912727	910064
Material	Stainless Steel AISI 304 - Din 1.4301		

- ▶ Not included with the boiling pan, must be ordered separately
- ▶ To be ordered for boiling pans predisposed for stirrer only.

Stirrers



Mashing stirrers

Range	Tilting, Electric and Steam Powered Round Boiling Pans		
Appliance typology	150 L	200 L	300 L
PNC	913543	913544	913545
Material	Stainless Steel AISI 304 - DIN 1.4301		

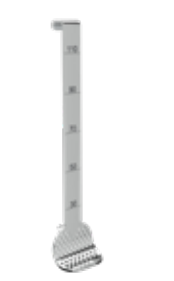
- ▶ Included in dedicated models with variable speed motor.
- ▶ Recommended for mashing cooked vegetables, preparing puree, or mixing dense products.

Measuring rods



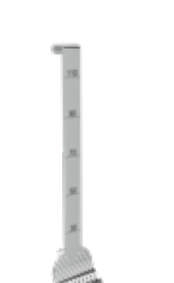
Measuring rods

Range	All Stationary		
Appliance typology	60 L	100 L	150 L
PNC	912723	912724	912725
Material	Stainless Steel AISI 304 - DIN 1.4301		



Measuring rods with strainer

Range	Stationary Rectangular Boiling Pans and Pressure Boiling Pans			
Appliance typology	80 L	200 L	300 L	400 L
PNC	912480	912481	912482	912483
Material	Stainless Steel AISI 304 - Din 1.4301			



Measuring rods with strainer

Range	Stationary Braising and Pressure Braising Pans			
Appliance typology	80 L	110 L	125 L	170 L
PNC	913192	912484	913193	912485
Material	Stainless Steel AISI 304 - Din 1.4301			

Measuring rods



Measuring rods

Range	Tilting Boiling Pans		
Appliance typology	60 L	100 L	150 L
PNC	910042	910044	910045
Material	Stainless Steel AISI 304 - DIN 1.4301		



Measuring rods

Range	Tilting Boiling Pans			
Appliance typology	200 L	300 L	400 L	500 L
PNC	910046	910047	910048	913573
Material	Stainless Steel AISI 304 - Din 1.4301			



Measuring rods for U.S.A.

Range	Tilting Boiling Pans		
Appliance typology	26 gal 100 L	40 gal 150 L	79 gal 300 L
PNC	913503	913504	913505
Material	Stainless Steel AISI 304 - DIN 1.4301		

Food tap strainers



Food tap strainers

Range	Stationary Round Boiling Pans	Tilting Boiling Pans
PNC	910161	911966
Material	Stainless Steel AISI 304 - Din 1.4301	

► Not compatible with stirrers with scraper.



Food tap strainer rod

Range	Stationary Round Boiling Pans	Tilting Boiling Pans
PNC	910162	
Material	Stainless Steel AISI 304 - Din 1.4301	

► Not compatible with stirrers with scraper.

Additional factory fitted accessories

Kit energy optimizer / Potential free contact



Range	All ProThermetic, factory fitted		
PNC	912737		

- ▶ The kit is used to prearrange ProThermetic electric appliances of standard voltage 400V 3N for energy optimization or external surveillance systems

Connectivity kit







Range	All ProThermetic, factory fitted		
PNC	913577	913578*	

- ▶ Kit to connect the units to the network via cable
 - ▶ Suitable for HACCP data collection (replacing the previous 912781)
 - ▶ These kits are not required to download HACCP log to a USB drive
- * Specific version for boiling pans with **variable speed stirrer**

Power sockets built in



Range	All ProThermetic, factory fitted			
Type	CEE		Schuko	
Voltage	400		230	
Ampere	16	32	16	
IP Rate	IP67		IP68	
Picture				
PNC	912468	912469	912474	912470

Additional factory fitted accessories



Main switches



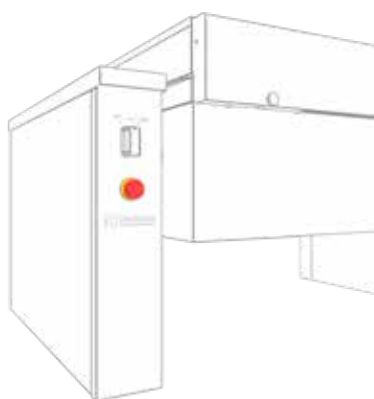
Range	All ProThermic, factory fitted		
Ampere	25		
Section	2.5 mm ²		4 mm ²
Type	All Gas	All Steam	Electric PBOT06 PBON06 PFEN08/11 PUEN08/11 PFET06/09 PUET06/09
PNC	912702	912739	912773



Main switches



Range	All ProThermic, factory fitted		
Ampere	60		80
Section	6mm ²	10 mm ²	16 mm ²
Type	Electric PBOT10 PBOT15 PBON10 PBON15 PBEN08 PFEN12/17 PUEN12/17 PFET08 PFET10/17 PUET10/17	Electric PBOT20 PBOT30 PPEN20 PPEN30 PBEN20 PBEN30	Electric PBOT40 PBOT50 PBEN40
PNC	912740	912774	912741



Emergency stop



Range	All ProThermic, factory fitted	
PNC	912784	

- ▶ Already included in units with stirrer device.
- ▶ Installed on the left side in tilting units and on the right side in stationary units.

Additional factory fitted accessories



Core temperature sensor



Range	All Tilting	Stationary	Stationary Pressure Boiling Pan, factory fitted
PNC	Included*	Included*	912716

- ▶ 6 points of measurement
- ▶ *Note: included in selected models only



External touch control devices



Range	All Tilting, factory fitted	All Stationary, factory fitted
PNC	912782	912783

- ▶ Installed on the right side.



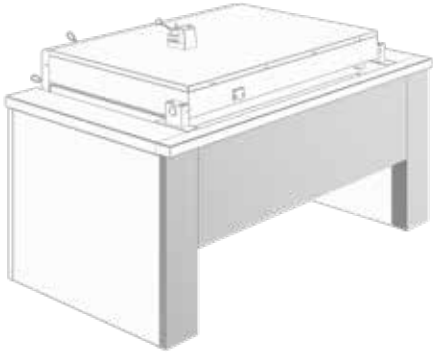
Manometers



Range	Tilting Boiling Pans, factory fitted	Stationary Braising Pan, factory fitted	Stationary Round Boiling Pans, factory fitted	Rectangular Boiling Pans, factory fitted	Stationary Pressure Boiling Pans and Pressure Braising Pans
Appliance typology	all	60 l	100/150 l	all	all
PNC	912490	912119	912120	912120	912492

- ▶ Mainly for Hong Kong

Rear closing kits

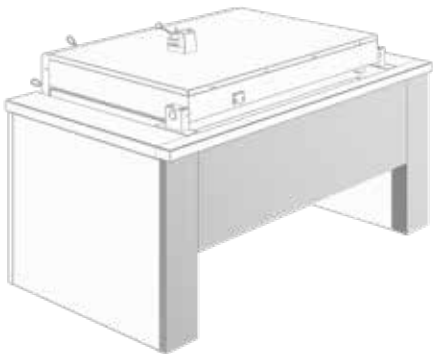


Rear closing kits - Tilting appliances without backsplash - Freestanding with recess 20 mm, Height 700 mm



Range	All Tilting, factory fitted		
Size DxH	30x700 mm		
Width / PNC	1100 mm	1200 mm	1300 mm
	912743	912744	912745
Width / PNC	1400 mm	1500 mm	1600 mm
	912746	912747	912748
Material	Stainless Steel AISI 304 - DIN 1.4301		

- ▶ Tilting appliances supplied without rear closing kit The back side is open.
- ▶ Mandatory for island installation.



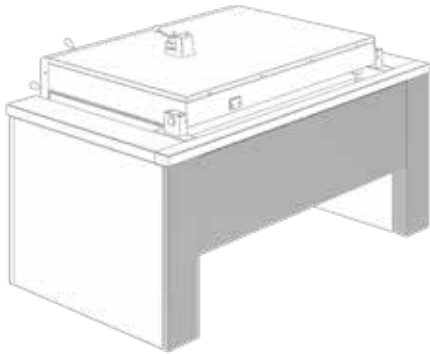
Rear closing kits - Tilting appliances without backsplash - Freestanding with recess 20 mm, Height 800 mm



Range	All Tilting, factory fitted		
Size DxH	30x800 mm		
Width / PNC	1100 mm	1200 mm	1300 mm
	912755	912756	912757
Width / PNC	1400 mm	1500 mm	1600 mm
	912758	912759	912760
Material	Stainless Steel AISI 304 - DIN 1.4301		

- ▶ Tilting appliances supplied without rear closing kit The back side is open.
- ▶ Mandatory for island installation.

Rear closing kits

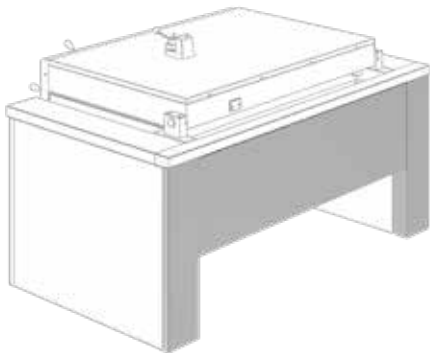


Rear closing kits - Tilting appliances with or without backsplash - Against the wall, Height 700 mm



Range	All Tilting, factory fitted		
Size DxH	50x700 mm		
Width / PNC	1100 mm	1200 mm	1300 mm
	912703	912704	912705
Width / PNC	1400 mm	1500 mm	1600 mm
	912706	912707	912708
Material	Stainless Steel AISI 304 - DIN 1.4301		

- ▶ Tilting appliances supplied without rear closing kit The back side is open.
- ▶ Mandatory for island installation.
- ▶ Recommended for against the wall installation (water proof).



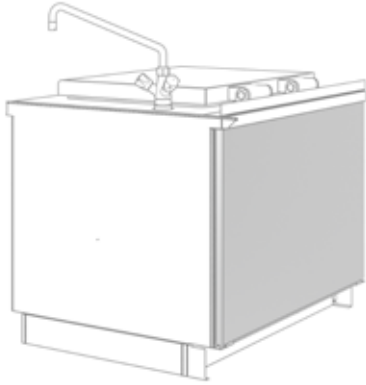
Rear closing kits - Tilting appliances with or without backsplash - Against the wall, Height 800 mm



Range	All Tilting, factory fitted		
Size DxH	50x800 mm		
Width / PNC	1100 mm	1200 mm	1300 mm
	912749	912750	912751
Width / PNC	1400 mm	1500 mm	1600 mm
	912752	912753	912754
Material	Stainless Steel AISI 304 - DIN 1.4301		

- ▶ Tilting appliances supplied without rear closing kit The back side is open.
- ▶ Mandatory for island installation.
- ▶ Recommended for against the wall installation (water proof).

Rear closing kits

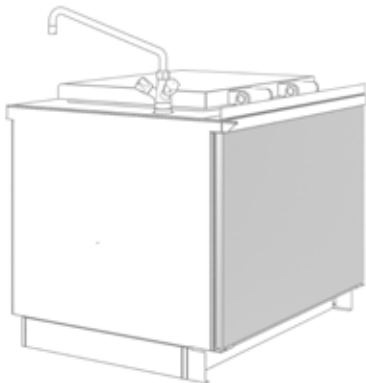


Rear closing kits - Stationary appliances with backsplash, Height 700 mm



Range	All Stationary, factory fitted		
Size DxH	60x700 mm		
Width / PNC	700 mm	800 mm	900 mm
	912799	912989	912990
Width / PNC	1000 mm	1400 mm	1700 mm
	912991	912992	912993
Material	Stainless Steel AISI 304 - DIN 1.4301		

- ▶ Stationary appliances with backsplash are supplied without rear closing kit. The backside is open.
- ▶ Recommended for water proof.
- ▶ Stationary appliances without backsplash (freestanding unit) have the rear closing kit as standard.



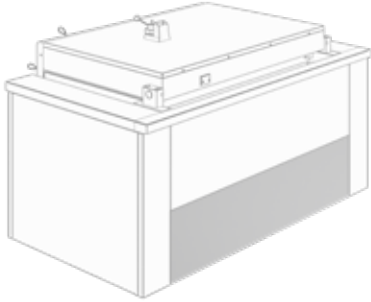
Rear closing kits - Stationary appliances with backsplash, Height 800 mm



Range	All Stationary, factory fitted		
Size DxH	60x800 mm		
Width / PNC	700 mm	800 mm	900 mm
	912994	912995	912996
Width / PNC	1000 mm	1400 mm	1700 mm
	912997	912998	912999
Material	Stainless Steel AISI 304 - DIN 1.4301		

- ▶ Stationary appliances with backsplash are supplied without rear closing kit. The backside is open.
- ▶ Recommended for water proof.
- ▶ Stationary appliances without backsplash (freestanding unit) have the rear closing kit as standard.

Lower back panels



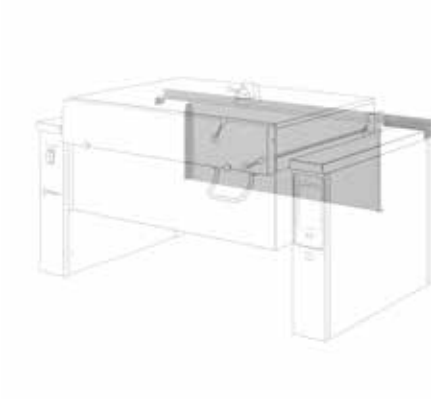
Lower Back Panels - Tilting appliances of Height 700 or Height 800



Range	All Tilting, factory fitted		
Size DxH	80x300 mm		
Width / PNC	1100 mm	1200 mm	1300 mm
	912767	912768	912769
Width / PNC	1400 mm	1500 mm	1600 mm
	912770	912771	912772
Material	Stainless Steel AISI 304 - DIN 1.4301		

- ▶ Suitable for 700 mm units
- ▶ S-code must be ordered for 800 mm units

C-Boards (Backsplash)



C-Boards



Range	All Tilting, factory fitted		
Size DxH	1,5x40 mm		
Width / PNC	1100 mm	1200 mm	1300 mm
	912183	912184	912185
Width / PNC	1400 mm	1500 mm	1600 mm
	912186	912187	912188
Material	Stainless Steel AISI 304 - DIN 1.4301		

- ▶ Bended in one piece with crossbeam, 40 mm high.

Stainless steel plinths



Plinths - Against the wall installation



Range	All Tilting, factory fitted	
Depth	800 mm	
Height	100 mm	200 mm
PNC	911432	911439
Material	Stainless Steel AISI 304 - DIN 1.4301	

- ▶ Tilting range is supplied without feet or plinths.
- ▶ Without feet or plinths can only be installed on concrete.
- ▶ Each appliance requires two plinths (quantity 2).



Plinths - Island installation



Range	All Tilting, factory fitted	
Depth	800 mm	
Height	100 mm	200 mm
PNC	911462	911469
Material	Stainless Steel AISI 304 - DIN 1.4301	

- ▶ Tilting range is supplied without feet or plinths.
- ▶ Without feet or plinths can only be installed on concrete.
- ▶ Each appliance requires two plinths (quantity 2).



Plinth - Against the wall installation



Range	All Tilting, factory fitted	
Depth	850 mm	
Height	200 mm	
PNC	912494	
Material	Stainless Steel AISI 304 - DIN 1.4301	

- ▶ Tilting range is supplied without feet or plinths.
- ▶ Without feet or plinths can only be installed on concrete.
- ▶ Each appliance requires two plinths (quantity 2).

Stainless steel plinths



Plinth - Island installation

Range	All Tilting, factory fitted	
Depth	850 mm	
Height	200 mm	
PNC	912496	
Material	Stainless Steel AISI 304 - DIN 1.4301	

- ▶ Tilting range is supplied without feet or plinths.
- ▶ Without feet or plinths can only be installed on concrete.
- ▶ Each appliance requires two plinths (quantity 2).



Plinths - Against the wall installation

Range	All Tilting, factory fitted	
Depth	900 mm	
Height	100 mm	200 mm
PNC	911417	911425
Material	Stainless Steel AISI 304 - DIN 1.4301	

- ▶ Tilting range is supplied without feet or plinths.
- ▶ Without feet or plinths can only be installed on concrete.
- ▶ Each appliance requires two plinths (quantity 2).



Plinths - Island installation

Range	All Tilting, factory fitted	
Depth	900 mm	
Height	100 mm	200 mm
PNC	911447	911455
Material	Stainless Steel AISI 304 - DIN 1.4301	

- ▶ Tilting range is supplied without feet or plinths.
- ▶ Without feet or plinths can only be installed on concrete.
- ▶ Each appliance requires two plinths (quantity 2).

Stainless steel plinths



 **Factory fitted**

Plinths - Against the wall installation

 **1000mm depth**

Range	All Tilting, factory fitted	
Depth	1000 mm	
Height	100 mm	200 mm
PNC	911623	911812
Material	Stainless Steel AISI 304 - DIN 1.4301	

- ▶ Tilting range is supplied without feet or plinths.
- ▶ Without feet or plinths can only be installed on concrete.
- ▶ Each appliance requires two plinths (quantity 2).



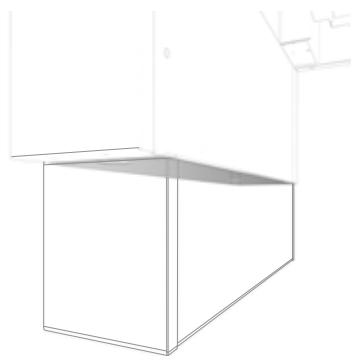
 **Factory fitted**

Plinths - Island installation

 **1000mm depth**

Range	All Tilting, factory fitted	
Depth	1000 mm	
Height	100 mm	200 mm
PNC	911624	911813
Material	Stainless Steel AISI 304 - DIN 1.4301	

- ▶ Tilting range is supplied without feet or plinths.
- ▶ Without feet or plinths can only be installed on concrete.
- ▶ Each appliance requires two plinths (quantity 2).



 **Factory fitted**

Panelings

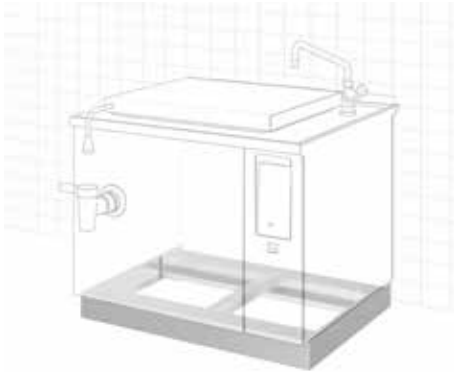
Range	All Tilting, factory fitted	
Application	for recessed plinth from 70 to 270 mm	for concrete plinth 120 mm wide instead of standard one of 160 mm wide
PNC	912479	912486

- ▶ Mainly used in DACH countries

Stainless steel plinths



Plinths - Against the wall installation



Range	All Stationary, factory fitted					
Depth	800 mm					
Width	700 mm	800 mm	900 mm	1000 mm	1400 mm	1700 mm
Height / PNC	100 mm	100 mm	100 mm	100 mm	100 mm	100 mm
	913336	913337	913338	913339	913340	913341
Height / PNC	200 mm	200 mm	200 mm	200 mm	200 mm	200 mm
	913342	913343	913344	913345	913346	913347
Material	Stainless Steel AISI 304 - DIN 1.4301					

- ▶ Stationary is supplied without feet or plinths.
- ▶ Without feet or plinths, appliances can only be installed on concrete.



Plinths - Freestanding installation

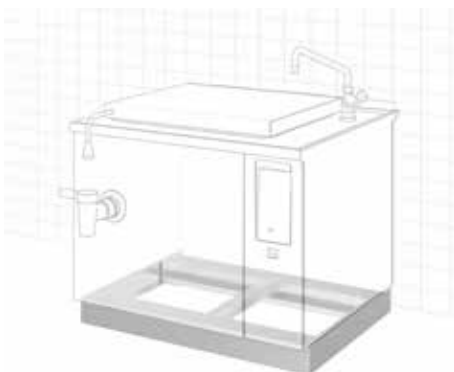


Range	All Stationary, factory fitted					
Depth	800 mm					
Width	700 mm	800 mm	900 mm	1000 mm	1400 mm	1700 mm
Height / PNC	100 mm	100 mm	100 mm	100 mm	100 mm	100 mm
	913348	913349	913350	913351	913352	913353
Height / PNC	200 mm	200 mm	200 mm	200 mm	200 mm	200 mm
	913354	913355	913356	913357	913358	913359
Material	Stainless Steel AISI 304 - DIN 1.4301					

- ▶ Stationary is supplied without feet or plinths.
- ▶ Without feet or plinths, appliances can only be installed on concrete.



Plinths - Against the wall installation



Range	All Stationary, factory fitted					
Depth	850 mm					
Width	700 mm	800 mm	900 mm	1000 mm	1400 mm	1700 mm
Height / PNC	200 mm	200 mm	200 mm	200 mm	200 mm	200 mm
	913318	913319	913320	913321	913322	913323
Material	Stainless Steel AISI 304 - DIN 1.4301					

- ▶ Stationary is supplied without feet or plinths.
- ▶ Without feet or plinths, appliances can only be installed on concrete.

Stainless steel plinths



Plinths - Freestanding installation

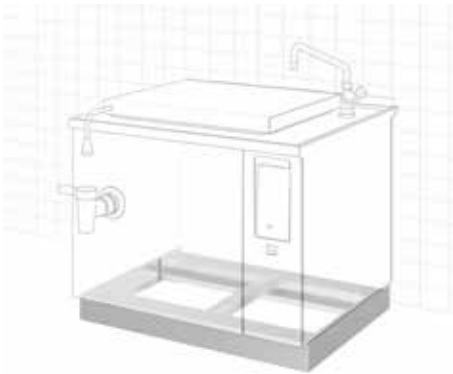


Range	All Stationary, factory fitted					
Depth	850 mm					
Width	700 mm	800 mm	900 mm	1000 mm	1400 mm	1700 mm
Height / PNC	200 mm	200 mm	200 mm	200 mm	200 mm	200 mm
	913330	913331	913332	913333	913334	913335
Material	Stainless Steel AISI 304 - DIN 1.4301					

- ▶ Stationary is supplied without feet or plinths.
- ▶ Without feet or plinths, appliances can only be installed on concrete.



Plinths - Against the wall installation



Range	All Stationary, factory fitted					
Depth	900 mm					
Width	700 mm	800 mm	900 mm	1000 mm	1400 mm	1700 mm
Height / PNC	100 mm	100 mm	100 mm	100 mm	100 mm	100 mm
	913300	913301	913302	913303	913304	913305
Height / PNC	200 mm	200 mm	200 mm	200 mm	200 mm	200 mm
	913306	913307	913308	913309	913310	913311
Material	Stainless Steel AISI 304 - DIN 1.4301					

- ▶ Stationary is supplied without feet or plinths.
- ▶ Without feet or plinths, appliances can only be installed on concrete.



Plinths - Freestanding installation



Range	All Stationary, factory fitted					
Depth	900 mm					
Width	700 mm	800 mm	900 mm	1000 mm	1400 mm	1700 mm
Height / PNC	100 mm	100 mm	100 mm	100 mm	100 mm	100 mm
	912710	912711	912712	912713	912714	912715
Height / PNC	200 mm	200 mm	200 mm	200 mm	200 mm	200 mm
	912717	912718	912719	912720	912721	912722
Material	Stainless Steel AISI 304 - DIN 1.4301					

- ▶ Stationary is supplied without feet or plinths.
- ▶ Without feet or plinths, appliances can only be installed on concrete.

Bottom plates with feet



 **Factory fitted**

Bottom plates with 2 feet for tilting units

 **800mm depth**

Range	All Tilting, factory fitted	
Depth	800 mm	
Height	100 mm	200 mm
PNC	911479	911476
Material	Stainless Steel AISI 304 - DIN 1.4301	

► Each appliance requires two bottom plates (quantity 2).



 **Factory fitted**

Bottom plate with 2 feet for tilting units

 **850mm depth**

Range	All Tilting, factory fitted	
Depth	850 mm	
Height	200 mm	
PNC	912488	
Material	Stainless Steel AISI 304 - DIN 1.4301	

► Each appliance requires two bottom plates (quantity 2).



 **Factory fitted**

Bottom plates with 2 feet for tilting units

 **900mm depth**


Range	All Tilting, factory fitted	
Depth	900 mm	
Height	100 mm	200 mm
PNC	911929	911930
Material	Stainless Steel AISI 304 - DIN 1.4301	

► Each appliance requires two bottom plates (quantity 2).



 **Factory fitted**

Bottom plates with 2 feet for tilting units

 **1000mm depth**

Range	All Tilting, factory fitted	
Depth	1000 mm	
Height	100 mm	200 mm
PNC	911478	911475
Material	Stainless Steel AISI 304 - DIN 1.4301	

► Each appliance requires two bottom plates (quantity 2).

Sets of feet



Sets of 4 feet for stationary units



Range	All Stationary, factory fitted	
Height	100 mm	200 mm
PNC	912701	912732
Material	Stainless Steel AISI 304 - DIN 1.4301	

- ▶ Each appliance requires one kit of feet (quantity 1).



Set of 4 flanged feet



Range	All Tilting, factory fitted	
Height	200 mm	
PNC	913438	
Material	Stainless Steel AISI 304 - DIN 1.4301	

- ▶ Each appliance requires one kit of feet (quantity 1).
- ▶ Mandatory to order with corresponding bottom plates with feet (except U.S. market)
- ▶ For U.S. market, set of 4 flanged feet can be installed without bottom plates accessory as it is delivered with unit

Installation accessories



Wall mounting kits for stationary units

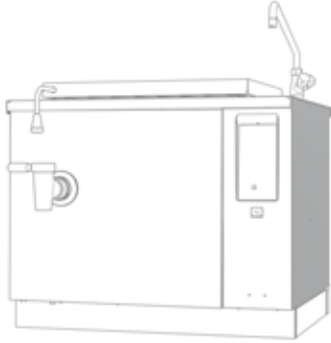
Range	All Stationary		
Width	700 mm	800 mm	900 mm
PNC	912742	912785	912786
Material	Stainless Steel AISI 304 - DIN 1.4301		



Wall mounting kits for stationary units

Range	All Stationary		
Width	1000 mm	1400 mm	1700 mm
PNC	912787	912788	912789
Material	Stainless Steel AISI 304 - DIN 1.4301		

End rails & Side panels

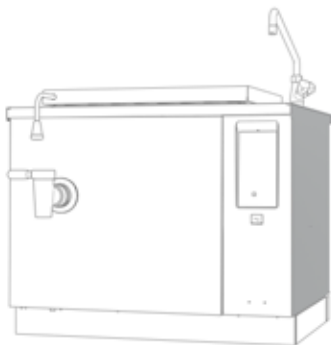


End rails + side panels flush - Stationary appliances without backslash

800mm depth

Range	All Stationary			
Side	Left		Right	
Depth	800 mm			
Height	700 mm	800 mm	700 mm	800 mm
PNC	913390	913396	913391	913397
Material	Stainless Steel AISI 304 - DIN 1.4301			

- ▶ Kit contains: one adapter rail, one end rail, one side panel, screws
- ▶ Flush side panels are used only if wall or another appliance is installed next to the unit (not for freestanding installation).

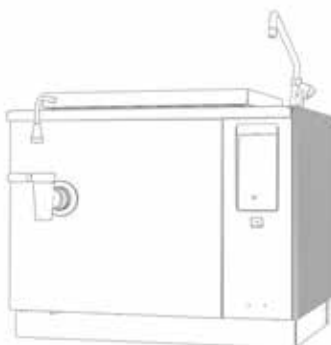


End rails + side panels flush - Stationary appliances with backslash

800mm depth

Range	All Stationary			
Side	Left		Right	
Depth	800 mm			
Height	700 mm	800 mm	700 mm	800 mm
PNC	913378	913384	913379	913385
Material	Stainless Steel AISI 304 - DIN 1.4301			

- ▶ Kit contains: one adapter rail, one end rail, one side panel, screws
- ▶ Flush side panels are used only if wall or another appliance is installed next to the unit (not for freestanding installation).



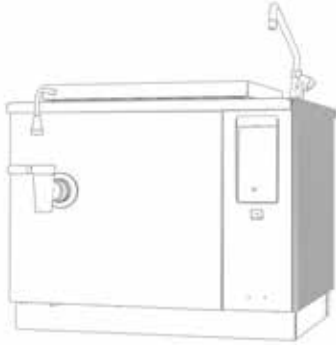
End rails + side panels 12.5 mm - Stationary appliances without backslash

800mm depth

Range	All Stationary			
Side	Left		Right	
Depth	800 mm			
Height	700 mm	800 mm	700 mm	800 mm
PNC	913414	913420	913415	913421
Material	Stainless Steel AISI 304 - DIN 1.4301			

- ▶ Kit contains: one adapter rail, one end rail, one side panel, screws.

End rails & Side panels

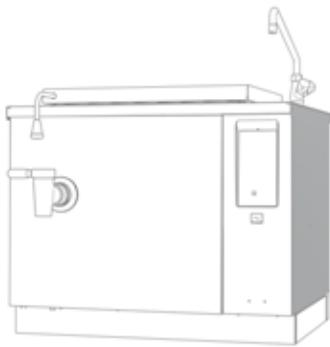


End rails + side panels 12.5 mm - Stationary appliances with backsplash

800mm depth

Range	All Stationary			
Side	Left		Right	
Depth	800 mm			
Height	700 mm	800 mm	700 mm	800 mm
PNC	913402	913408	913403	913409
Material	Stainless Steel AISI 304 - DIN 1.4301			

► Kit contains: one adapter rail, one end rail, one side panel, screws.

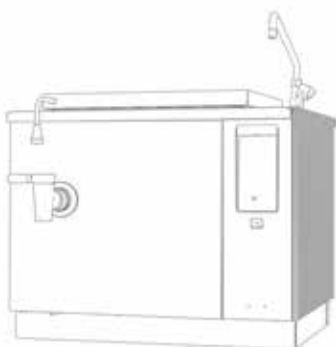


End rails + side panels flush - Stationary appliances back to back installation without backsplash (with back to back rail)

800mm depth

Range	All Stationary			
Side	Left		Right	
Line Depth	800 mm			
Panel Depth	805 mm			
Panel Height	700 mm	800 mm	700 mm	800 mm
PNC	913479	913485	913480	913486
Material	Stainless Steel AISI 304 - DIN 1.4301			

- Kit contains: one adapter rail, one end rail, one side panel, screws
- To be used with T-rail, ordered as special, T-rail depth is 10 mm
- Flush side panels are used only if wall or another appliance is installed next to the unit (not for freestanding installation).



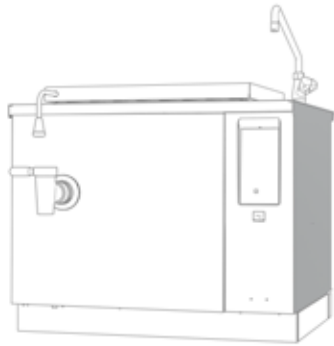
End rails + side panels 12.5 mm - Stationary appliances back to back installation without backsplash (with back to back rail)

800mm depth

Range	All Stationary			
Side	Left		Right	
Line Depth	800 mm			
Panel Depth	805 mm			
Panel Height	700 mm	800 mm	700 mm	800 mm
PNC	913491	913497	913492	913498
Material	Stainless Steel AISI 304 - DIN 1.4301			

- Kit contains: one adapter rail, one end rail, one side panel, screws.
- To be used with T-rail, ordered as special, T-rail depth is 10 mm

End rails & Side panels

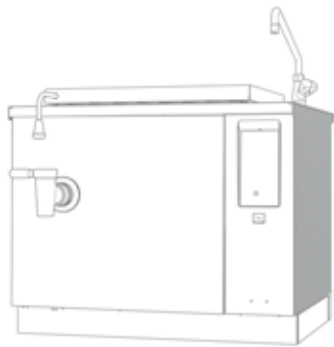


End rails + side panels flush Stationary appliances without backslash

↗ 850mm
depth ↘

Range	All Stationary	
Side	Left	Right
Depth	850 mm	
Height	700 mm	
PNC	913392	913393
Material	Stainless Steel AISI 304 - DIN 1.4301	

- ▶ Kit contains: one adapter rail, one end rail, one side panel, screws
- ▶ Flush side panels are used only if wall or another appliance is installed next to the unit (not for freestanding installation).

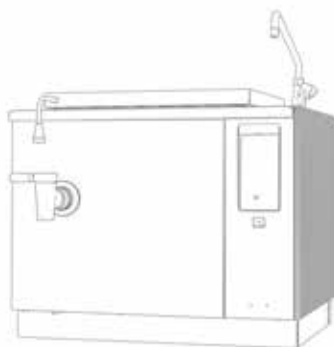


End rails + side panels flush Stationary appliances with backslash

↗ 850mm
depth ↘

Range	All Stationary	
Side	Left	Right
Depth	850 mm	
Height	700 mm	
PNC	913380	913381
Material	Stainless Steel AISI 304 - DIN 1.4301	

- ▶ Kit contains: one adapter rail, one end rail, one side panel, screws.
- ▶ Flush side panels are used only if wall or another appliance is installed next to the unit (not for freestanding installation).



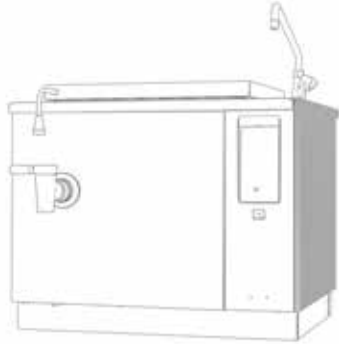
End rails + side panels 12.5 mm Stationary appliances without backslash

↗ 850mm
depth ↘

Range	All Stationary	
Side	Left	Right
Depth	850 mm	
Height	700 mm	
PNC	913416	913417
Material	Stainless Steel AISI 304 - DIN 1.4301	

- ▶ Kit contains: one adapter rail, one end rail, one side panel, screws.

End rails & Side panels

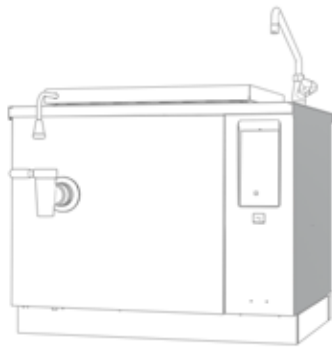


End rails + side panels 12.5 mm Stationary appliances with backsplash

850mm
depth

Range	All Stationary	
Side	Left	Right
Depth	850 mm	
Height	700 mm	
PNC	913404	913405
Material	Stainless Steel AISI 304 - DIN 1.4301	

- ▶ Kit contains: one adapter rail, one end rail, one side panel, screws.

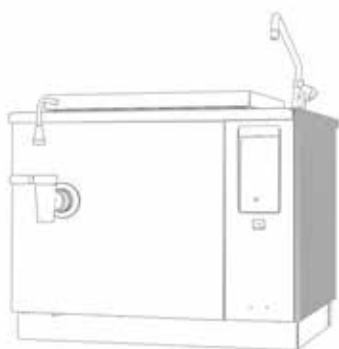


End rails + side panels flush - Stationary appliances back to back installation without backsplash (with back to back rail)

850mm
depth

Range	All Stationary	
Side	Left	Right
Line Depth	850 mm	
Panel Depth	855 mm	
Panel Height	700 mm	
PNC	913481	913482
Material	Stainless Steel AISI 304 - DIN 1.4301	

- ▶ Kit contains: one adapter rail, one end rail, one side panel, screws
- ▶ To be used with T-rail, ordered as special, T-rail depth is 10 mm
- ▶ Flush side panels are used only if wall or another appliance is installed next to the unit (not for freestanding installation).



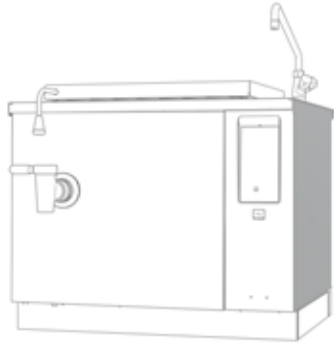
End rails + side panels 12.5 mm - Stationary appliances back to back installation without backsplash (with back to back rail)

850mm
depth

Range	All Stationary	
Side	Left	Right
Line Depth	850 mm	
Panel Depth	855 mm	
Panel Height	700 mm	
PNC	913493	913494
Material	Stainless Steel AISI 304 - DIN 1.4301	

- ▶ Kit contains: one adapter rail, one end rail, one side panel, screws.
- ▶ To be used with T-rail, ordered as special, T-rail depth is 10 mm

End rails & Side panels

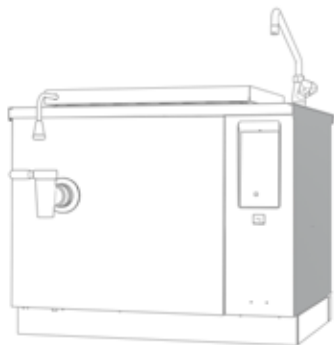


End rails + side panels flush - Stationary appliances without backslash

↗ 900mm depth

Range	All Stationary			
Side	Left		Right	
Depth	900 mm			
Height	700 mm	800 mm	700 mm	800 mm
PNC	913394	913400	913395	913401
Material	Stainless Steel AISI 304 - DIN 1.4301			

- ▶ Kit contains: one adapter rail, one end rail, one side panel, screws
- ▶ Flush side panels are used only if wall or another appliance is installed next to the unit (not for freestanding installation).

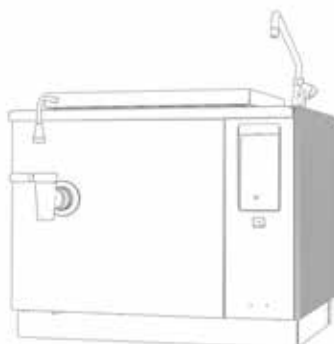


End rails + side panels flush - Stationary appliances with backslash

↗ 900mm depth

Range	All Stationary			
Side	Left		Right	
Depth	900 mm			
Height	700 mm	800 mm	700 mm	800 mm
PNC	913382	913388	913383	913389
Material	Stainless Steel AISI 304 - DIN 1.4301			

- ▶ Kit contains: one adapter rail, one end rail, one side panel, screws
- ▶ Flush side panels are used only if wall or another appliance is installed next to the unit (not for freestanding installation).



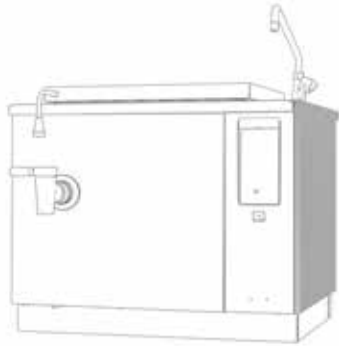
End rails + side panels 12.5 mm - Stationary appliances without backslash

↗ 900mm depth

Range	All Stationary			
Side	Left		Right	
Depth	900 mm			
Height	700 mm	800 mm	700 mm	800 mm
PNC	913418	913424	913419	913425
Material	Stainless Steel AISI 304 - DIN 1.4301			

- ▶ Kit contains: one adapter rail, one end rail, one side panel, screws.

End rails & Side panels

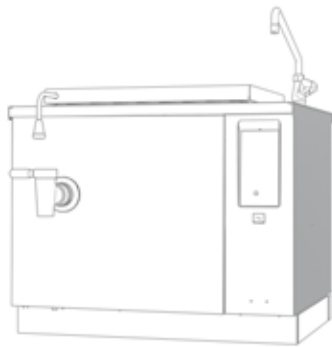


End rails + side panels 12.5 mm - Stationary appliances with backsplash

900mm depth

Range	All Stationary			
Side	Left		Right	
Depth	900 mm			
Height	700 mm	800 mm	700 mm	800 mm
PNC	913406	913412	913407	913413
Material	Stainless Steel AISI 304 - DIN 1.4301			

► Kit contains: one adapter rail, one end rail, one side panel, screws.

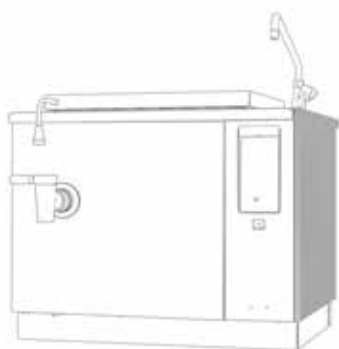


End rails + side panels flush - Stationary appliances back to back installation without backsplash (with back to back rail)

900mm depth

Range	All Stationary			
Side	Left		Right	
Line Depth	900 mm			
Panel Depth	905 mm			
Panel Height	700 mm	800 mm	700 mm	800 mm
PNC	913483	913489	913484	913490
Material	Stainless Steel AISI 304 - DIN 1.4301			

- Kit contains: one adapter rail, one end rail, one side panel, screws
- To be used with T-rail, ordered as special, T-rail depth is 10 mm
- Flush side panels are used only if wall or another appliance is installed next to the unit (not for freestanding installation).



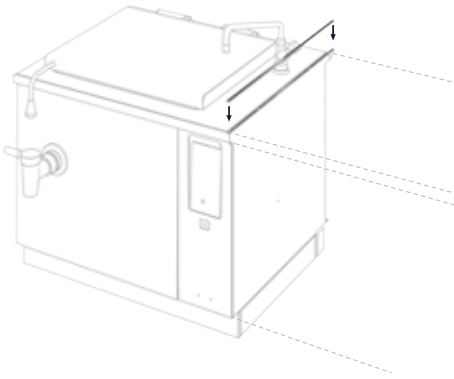
End rails + side panels 12.5 mm - Stationary appliances back to back installation without backsplash (with back to back rail)

900mm depth

Range	All Stationary			
Side	Left		Right	
Line Depth	900 mm			
Panel Depth	905 mm			
Panel Height	700 mm	800 mm	700 mm	800 mm
PNC	913495	913501	913496	913502
Material	Stainless Steel AISI 304 - DIN 1.4301			

- Kit contains: one adapter rail, one end rail, one side panel, screws.
- To be used with T-rail, ordered as special, T-rail depth is 10 mm

Connection kits

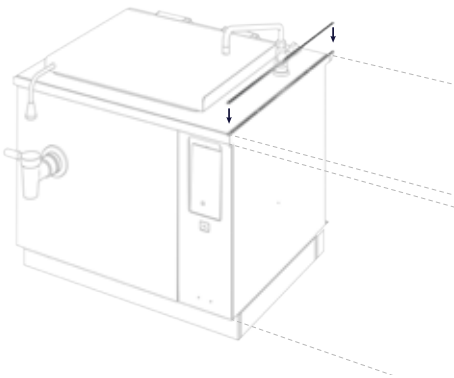


Connection kits - thermaline Modular and ProThermetic*

800mm depth

Range	ProThermetic* and Modular		
Depth	800 mm		
Width	25 mm		
Backsplash	No	Yes	
PNC	912500	912497	
Material	Stainless Steel AISI 304 - DIN 1.4301		

- ▶ Kit contains: one adapter rail, one connecting rail, screws.
- ▶ *All ProThermetic stationary units and tilting units produced after April 2015

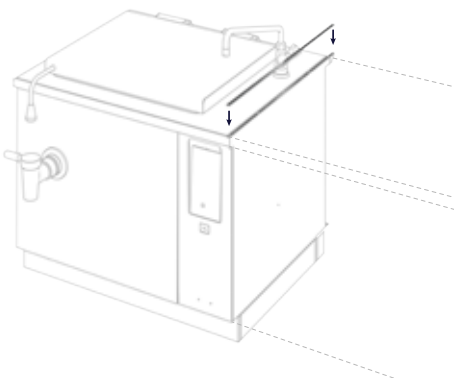


Connection kits - thermaline Modular / ProThermetic and Old thermaline (C80)

800mm depth

Range	ProThermetic and Modular			
Depth	800 mm			
Width	42.5 mm			
Backsplash	Yes		No	
Side	C80 on the right	C80 on the left	C80 on the right	C80 on the left
PNC	912977	912978	912971	912972
Compatible with	- thermaline Modular with Thermetic/ProThermetic tilting* - ProThermetic stationary with Thermetic/ProThermetic tilting*			
Material	Stainless Steel AISI 304 - DIN 1.4301			

- ▶ Kit contains: one adapter rail, one connecting rail, screws.
- ▶ * Produced before April 2015



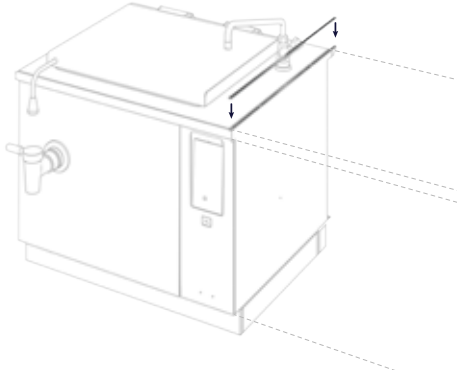
Connection kits - thermaline Modular and ProThermetic*

850mm depth

Range	ProThermetic* and Modular		
Depth	850 mm		
Width	25 mm		
Backsplash	Yes		
PNC	912498		
Material	Stainless Steel AISI 304 - DIN 1.4301		

- ▶ Kit contains: one adapter rail, one connecting rail, screws.
- ▶ *All ProThermetic stationary units and tilting units produced after April 2015

Connection kits

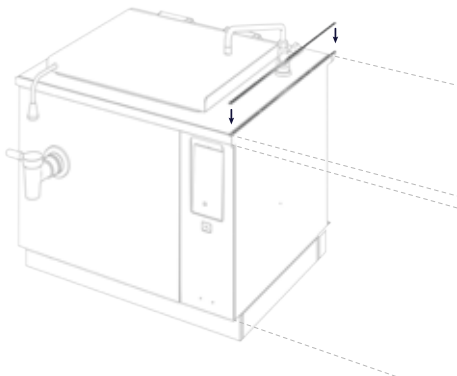


Connection kits - thermaline Modular and ProThermetic*

900mm depth

Range	ProThermetic* and Modular		
Depth	900 mm		
Width	25 mm		
Backsplash	Yes		
PNC	912502	912499	
Material	Stainless Steel AISI 304 - DIN 1.4301		

- ▶ Kit contains: one adapter rail, one connecting rail, screws.
- ▶ *All ProThermetic stationary units and tilting units produced after April 2015



Connection kits - thermaline Modular / ProThermetic and Old thermaline (C90)

900mm depth

Range	ProThermetic and Modular			
Depth	900 mm			
Width	42.5 mm			
Backsplash	Yes		No	
Side	C90 on the right	C90 on the left	C90 on the right	C90 on the left
Compatible with	- thermaline Modular with Thermetic/ProThermetic tilting* - ProThermetic stationary with Thermetic/ProThermetic tilting*			
PNC	912981	912982	912975	912976
Material	Stainless Steel AISI 304 - DIN 1.4301			

- ▶ Kit contains: one adapter rail, one connecting rail, screws.
- ▶ * Produced before April 2015



Excellence is central to everything we do.
By anticipating our customers' needs, we strive for
Excellence with our people, innovations, solutions and services.
To be the OnE making our customers' work-life easier,
more profitable – and truly sustainable every day.

Follow us on



www.electroluxprofessional.com

Excellence with the environment in mind

- ▶ All our factories are ISO 14001-certified
- ▶ All our solutions are designed for low consumption of water, energy, detergents and harmful emissions
- ▶ In recent years over 70% of our product features have been updated with the environmental needs of our customers in mind
- ▶ Our technology is RoHS and REACH compliant and over 95% recyclable
- ▶ Our products are 100% quality tested by experts

