

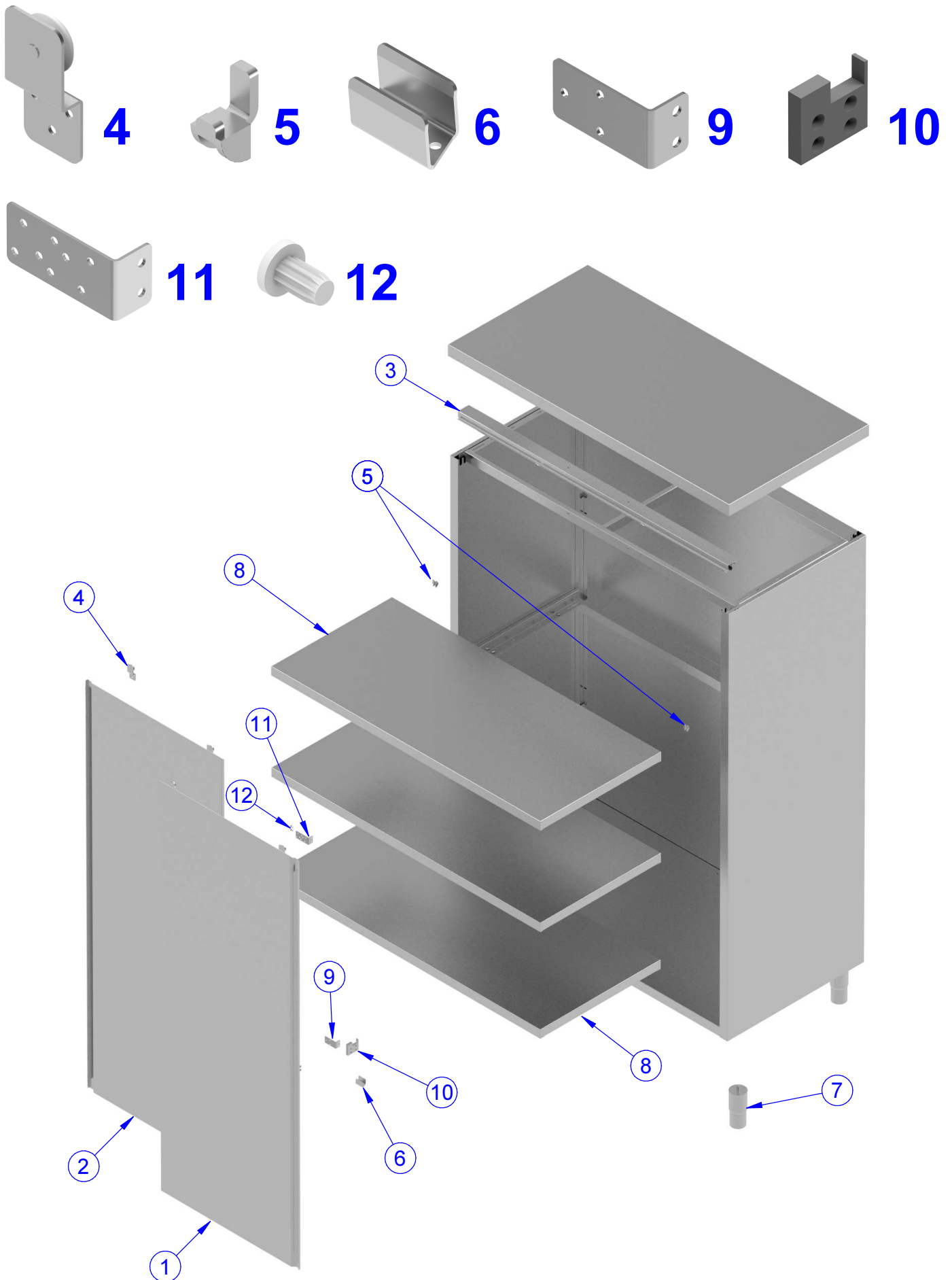
**ARMADIO STOVIGLIE
STORAGE CABINET**

PNC	MODEL	L = mm	H = mm	REF	PNC	MODEL	L = mm	H = mm	REF
132801	MAS1400SPN	1400	2000	a	132886	SAS12N	1200	1600	c
132802	MAS2000SPN	2000	2000	b	132887	SAS14N	1400	1600	d
					132888	SAS16N	1600	1600	e
					132889	SASH12N	1200	2000	f
					132890	SASH14N	1400	2000	g
					132891	SASH16N	1600	2000	h
					132892	SASH18N	1800	2000	i
					132893	SASH20N	2000	2000	j

Pag.	Indice	Index
2	Disegni	Drawings
3-4	Lista ricambi	Spare parts list

Brand / Marchio: STD - EB

**ARMADIO STOVIGLIE
STORAGE CABINET**



**ARMADIO STOVIGLIE
STORAGE CABINET**

POS	COD	DESCRIZIONE	DESCRIPTION	Alias code	NOTES/REF.
1	OPEB20	Porta scorrevole DX 1400 AS	Right sliding door 1400 SC	21400A106	a
1	OPEB21	Porta scorrevole DX 2000 AS	Right sliding door 2000 SC	21400A114	b
1	OPEA07	Porta scorrev. DX 1200 AS1600 EB	Right sliding door 1200 SC1600EB	21400A138	c
1	OPEA08	Porta scorrev. DX 1400 AS1600 EB	Right sliding door 1400 SC1600EB	21400A136	d
1	OPEA09	Porta scorrev. DX 1600 AS1600 EB	Right sliding door 1600 SC1600EB	21400A228	e
1	OPEA10	Porta scorrev. DX 1200 AS2000 EB	Right sliding door 1200 SC2000EB	21400A131	f
1	OPEA11	Porta scorrev. DX 1400 AS2000 EB	Right sliding door 1400 SC2000EB	21400A129	g
1	OPE993	Porta scorrev. DX 1600 AS2000 EB	Right sliding door 1600 SC2000EB	21400A134	h
1	OPEA12	Porta scorrev. DX 1800 AS2000 EB	Right sliding door 1800 SC2000EB	21400A260	i
1	OPEA13	Porta scorrev. DX 2000 AS2000 EB	Right sliding door 2000 SC2000EB	21400A160	j
2	OPEB22	Porta Scorrevole SX 1400 AS	Left sliding door 1400 SC	21400A107	a
2	OPEB23	Porta Scorrevole SX 2000 AS	Left sliding door 2000 SC	21400A115	b
2	OPEA14	Porta Scorrev. SX 1200 AS1600 EB	Left sliding door 1200 SC1600EB	21400A139	c
2	OPEA15	Porta Scorrev. SX 1400 AS1600 EB	Left sliding door 1400 SC1600EB	21400A137	d
2	OPEA16	Porta Scorrev. SX 1600 AS1600 EB	Left sliding door 1600 SC1600EB	21400A229	e
2	OPEA17	Porta Scorrev. SX 1200 AS2000 EB	Left sliding door 1200 SC2000EB	21400A132	f
2	OPEA18	Porta Scorrev. SX 1400 AS2000 EB	Left sliding door 1400 SC2000EB	21400A130	g
2	OPE994	Porta Scorrev. SX 1600 AS2000 EB	Left sliding door 1600 SC2000EB	21400A135	h
2	OPEA19	Porta Scorrev. SX 1800 AS2000 EB	Left sliding door 1800 SC2000EB	21400A261	i
2	OPEA20	Porta Scorrev. SX 2000 AS2000 EB	Left sliding door 2000 SC2000EB	21400A161	j
3	OPEA87	Guida Porte Scorrevoli 1200	Guida Porte Scorrevoli 1200	21400A047	c,f
3	OPEA88	Guida Porte Scorrevoli 1400	Guida Porte Scorrevoli 1400	21400A023	a,d,g
3	OPEA89	Guida Porte Scorrevoli 1600	Guida Porte Scorrevoli 1600	21400A005	e,h
3	OPEA90	Guida Porte Scorrevoli 1800	Guida Porte Scorrevoli 1800	21400A051	i
3	OPEA91	Guida Porte Scorrevoli 2000	Guida Porte Scorrevoli 2000	21400A055	b,j
4	OPEA43	Carrello Porta scorrevole	Carrello Porta scorrevole	21400A008	a,b,c,d,e,f,g,h,i,j
5	OPEA44	Supporto Ripiano	Supporto Ripiano	254000231	a,b,c,d,e,f,g,h,i,j
6	OPEA45	Pattino porte scorrevoli	Pattino porte scorrevoli	20400A021	a,b,c,d,e,f,g,h,i,j
7	OPEA92	Piede regolabile	Piede regolabile	254000203	a,b,c,d,e,f,g,h,i,j

**ARMADIO STOVIGLIE
STORAGE CABINET**

POS	COD	DESCRIZIONE	DESCRIPTION	Alias code	NOTES/REF.
8	OPEB42	Ripiano 1400	Shelf 1400	21400A022	a
8	OPEB43	Ripiano 2000	Shelf 2000	21400A054	b
8	OPEB35	Ripiano 1200 EB	Shelf 1200 EB	21400A082	c
8	OPEB36	Ripiano 1400 EB	Shelf 1400 EB	21400A081	d,g
8	OPEB37	Ripiano 1600 EB	Shelf 1600 EB	21400A079	e,h
8	OPEB38	Ripiano 1800 EB	Shelf 1800 EB	21400A084	f
8	OPEB39	Ripiano 2000 EB	Shelf 2000 EB	21400A085	j
9	OPEA70	Supporto guida porta	Supporto guida porta	20400A278	a,b,c,d,e,f,g,h,i,j
10	OPEA76	Guida porta scorrevole AS	Sliding doors guide SC	254000222	a,b,c,d,e,f,g,h,i,j
11	OPEA46	Freno Porta scorrevole	Freno Porta scorrevole	20400A018	a,b,c,d,e,f,g,h,i,j
12	OPEA51	Batti Porta Ø4	Batti Porta Ø4	254000208	a,b,c,d,e,f,g,h,i,j