

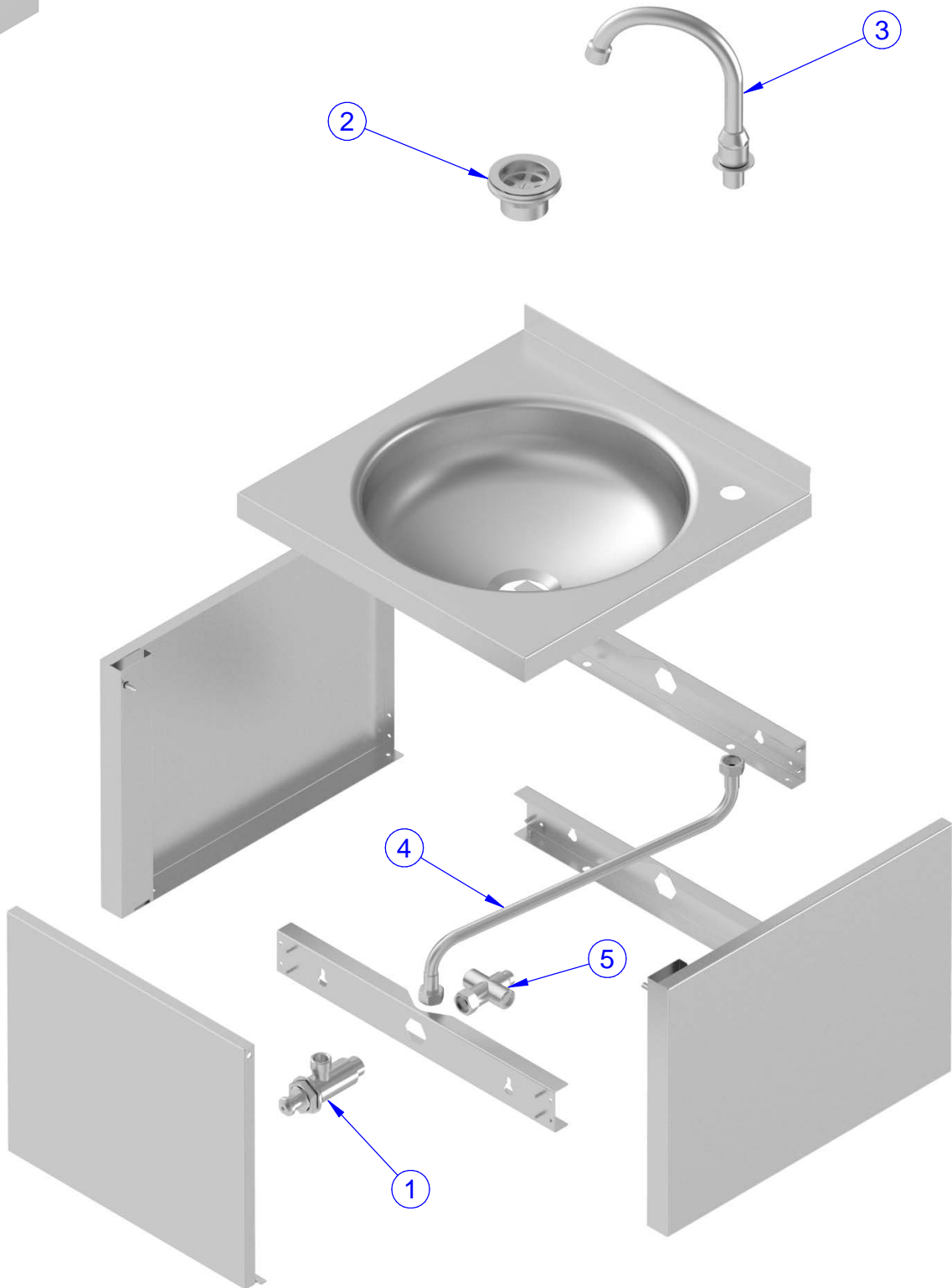
LAVAMANI A PARETE / LAVAMANI A PAVIMENTO CON TRAMOGGIA
WALL MOUNTED WASH BASIN / FOOT-OPERATED WASHBASIN+WASTE CABINET

PNC	MODEL	L = mm	H = mm	REF	PNC	MODEL	L = mm	H = mm	REF
132952		400	300	a					
132954		400	900	b					

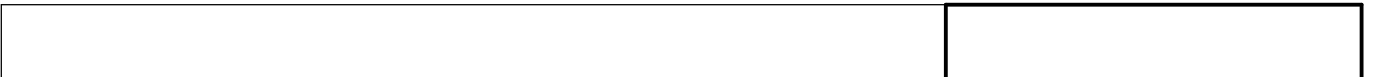
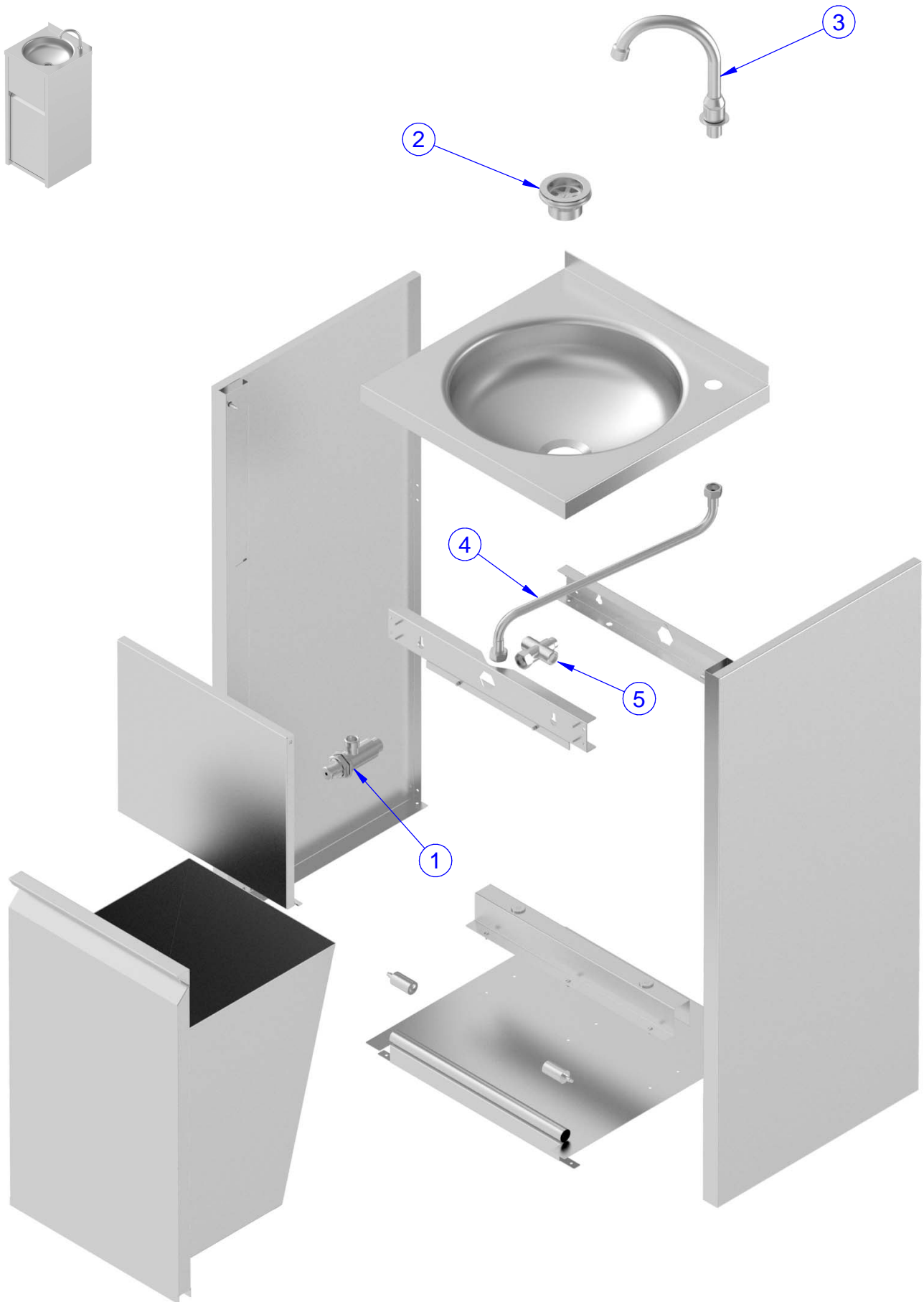
Pag.	Descrizione	Description
1	Indice	Index
2-3	Disegni	Drawings
4	Lista ricambi	Spare parts list

Brand / Marchio: STD

LAVAMANI A PARETE / LAVAMANI A PAVIMENTO CON TRAMOGGIA
WALL MOUNTED WASH BASIN / FOOT-OPERATED WASHBASIN+WASTE CABINET



LAVAMANI A PARETE / LAVAMANI A PAVIMENTO CON TRAMOGGIA
WALL MOUNTED WASH BASIN / FOOT-OPERATED WASHBASIN+WASTE CABINET



LAVAMANI A PARETE / LAVAMANI A PAVIMENTO CON TRAMOGGIA
WALL MOUNTED WASH BASIN / FOOT-OPERATED WASHASIN+WASTE CABINET

POS	TO BE USED FROM S/N TO S/N	CODE	DESCRIZIONE	DESCRIPTION	Alias code	NOTES/REF.
1	from 90210001 to	RR000PEC00	Rubinetto a pulsante temporizzato 4/6 sec. - 9004 gc eco ip		400600589RIC	a, b
2	from 90210001 to	RR000PRRM8	Piletta 1"1/2 bassa		100100030RIC	a, b
3	from 90210001 to	RR000PEC09	Bocca erogazione 150 mm orientabile		400600220RIC	a, b
4	from 90210001 to		Flex inox FF 1/2" L=500		400600933RIC	a, b
5	from 90210001 to	RR000PEC01	Premiscelatore a T		400600472RIC	a, b