

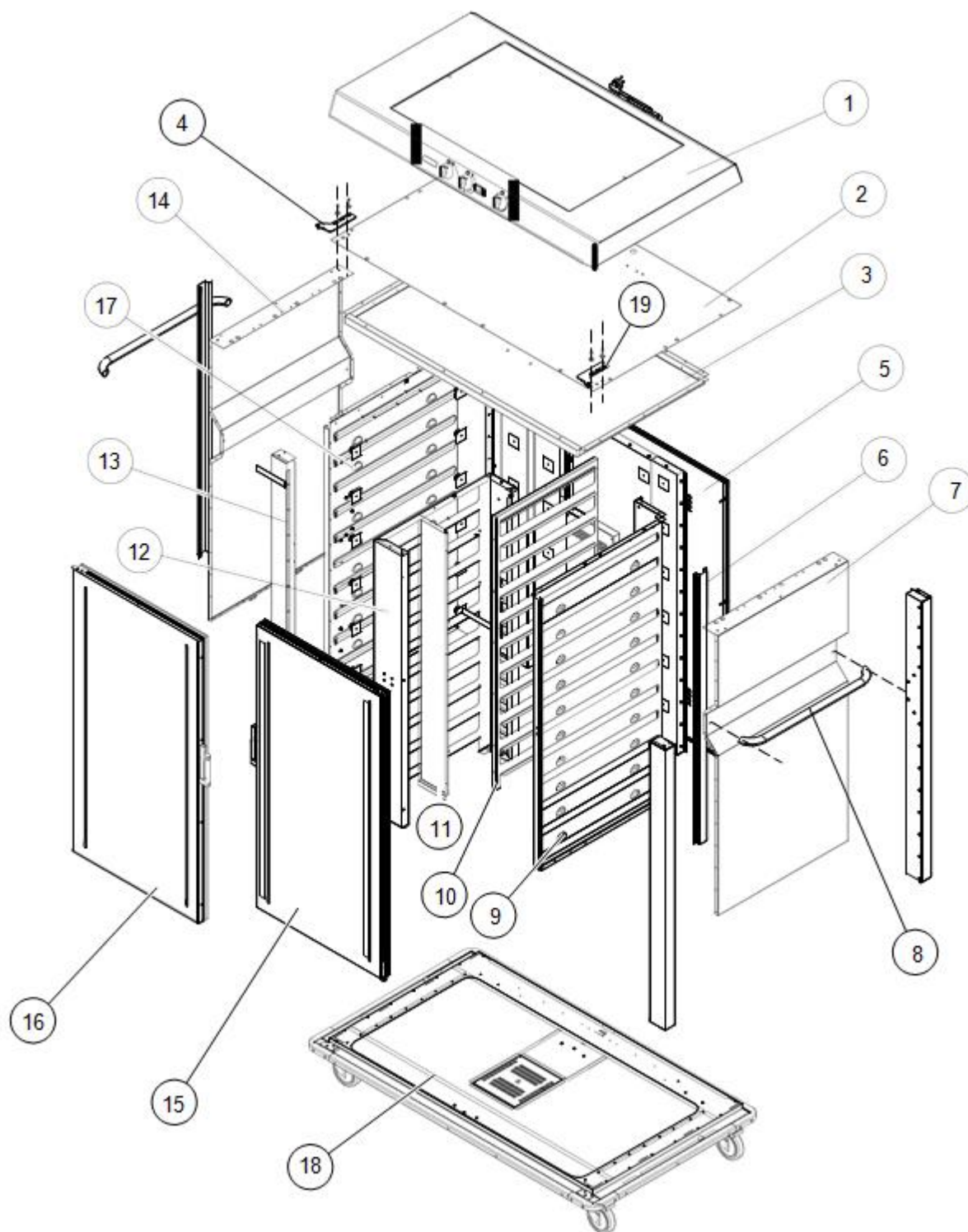
Service Trolleys

Heated Banquet Trolley - 20x2/1 GN



Rel.	Date	File	Author	Note
1	23/06/2016	SPC351157	M. Stramare	

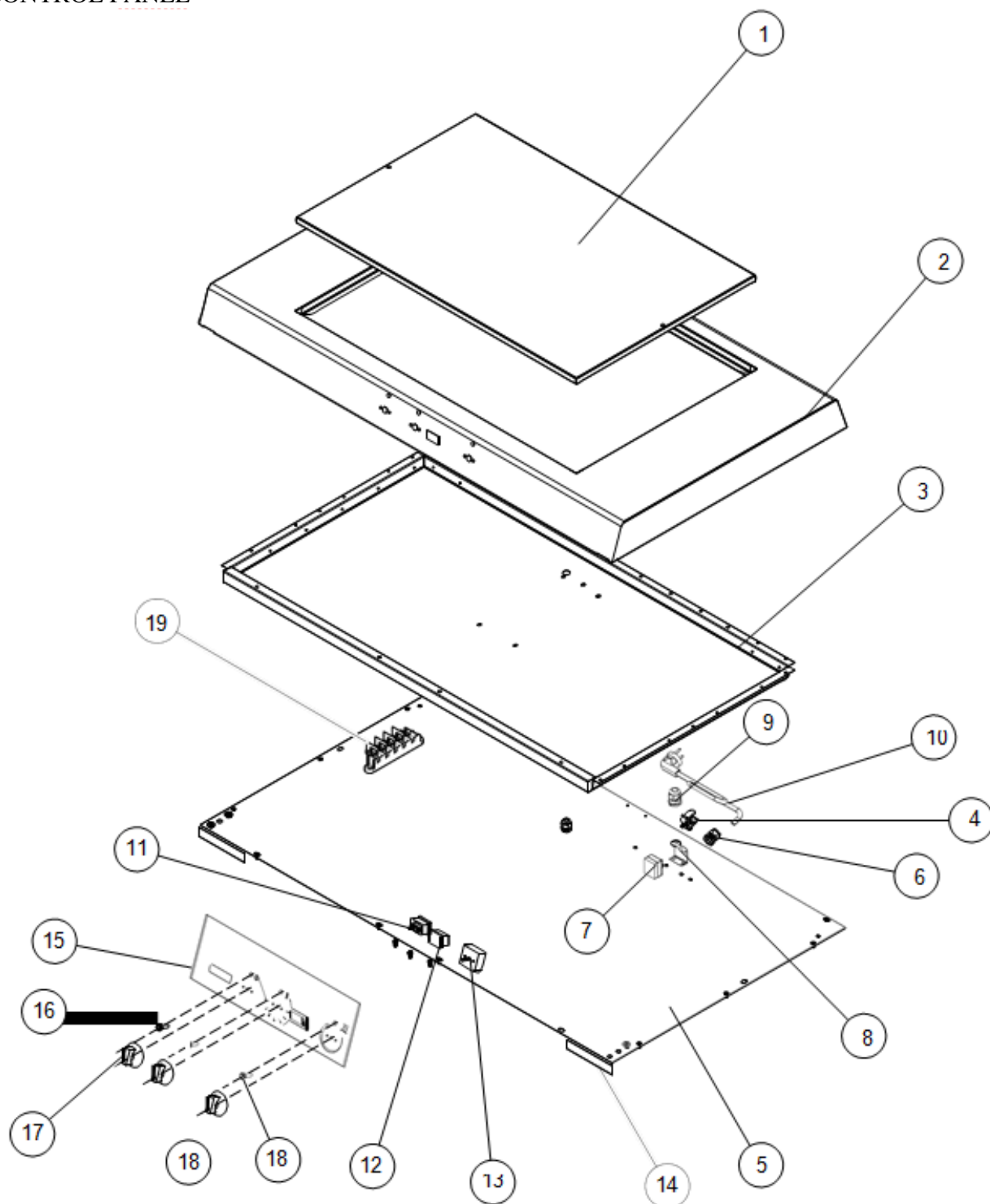
OUTER PLATES



N°	Part Number	Part name	Quantity (pcs)
1	2021 0530	CONTROL PANEL	1
2	2021 0518	PANEL LOWER PLATE	1
3	2021 0512	BODY CEILING PLATE	1
4	2021 0580	UPPER HINGE COMPLETE	1
5	2021 0520	**HINGE UPPER ASSEMBLY	1
5	2021 0517	REAR PLATE	1
6	2020 0526	BODY SUPPORT PLATE	1
7	2021 0520	SIDE PLATE RIGHT	1
8	2020 3050	REPULSION BRACE COMPLETE	1
9	2021 0304	BANQUETTE SHELF PLATE RIGHT	1
10	2021 0526	TRAY ARRANGEMENT INTERMEDIATE PLATE	1
11	2021 0527	TRAY ARRANGEMENT FRONT INTERMEDIATE PL	1
12	2021 0525	TRAY ARRANGEMENT INTERMEDIATE PLATE LEFT	1
13	2021 0538	OUTER SIDE PLATE LEFT FRONT	1
14	2021 0536	OUTER SIDE PLATE MIDDLE	1
15	2021 0541	LEFT DOOR	1
16	2021 0540	RIGHT DOOR	1
17	2021 0303	BANQUETTE SHELF PLATE LEFT	1
18	2021 0500	LOWER CARCASS	1
19	2020 0541	**UPPER HINGE COMPLETE RIGHT	1

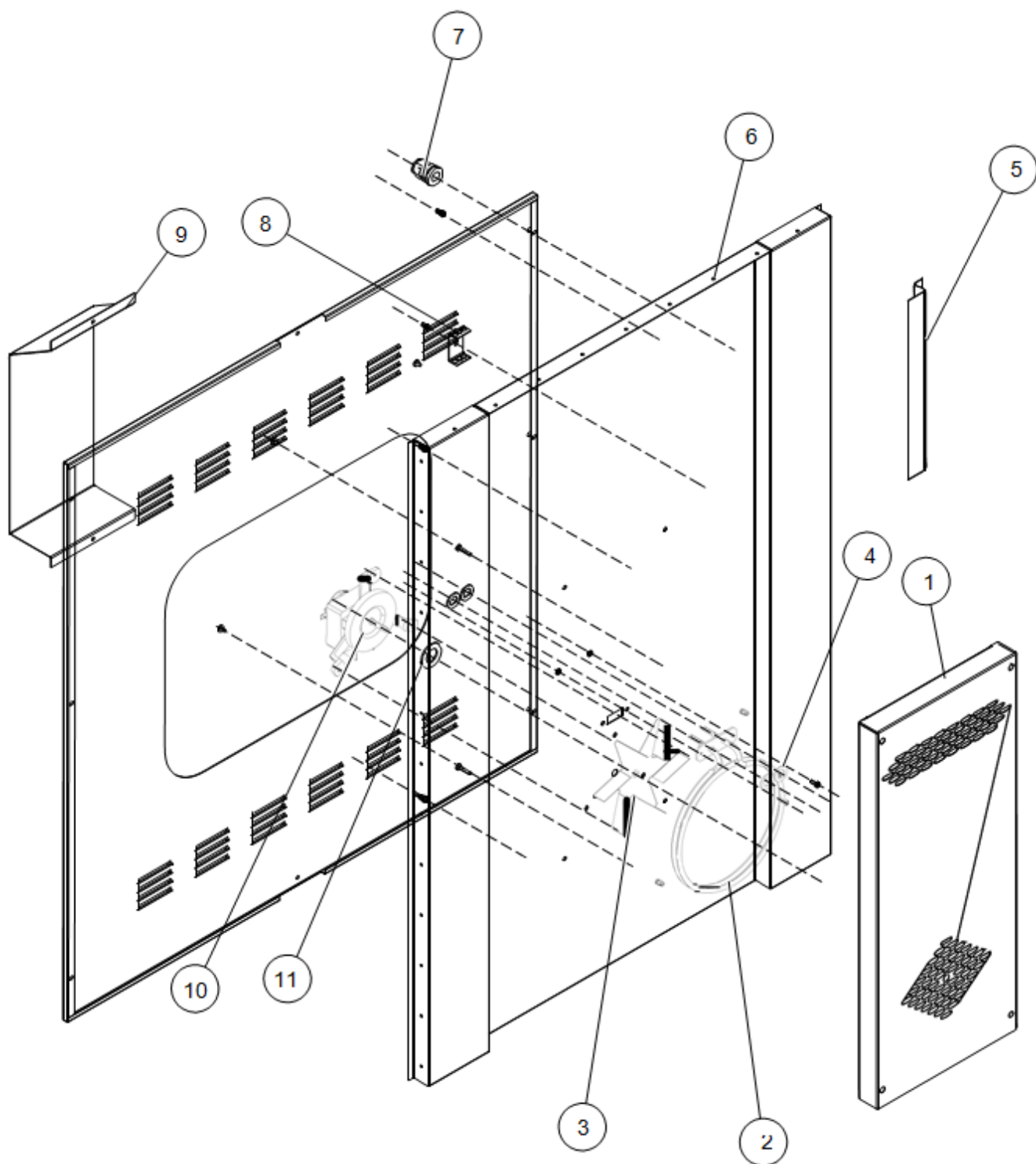
** HING ASSEMBLY: If necessary to change material wich products made before 2016, this hinge will be used

CONTROL PANEL



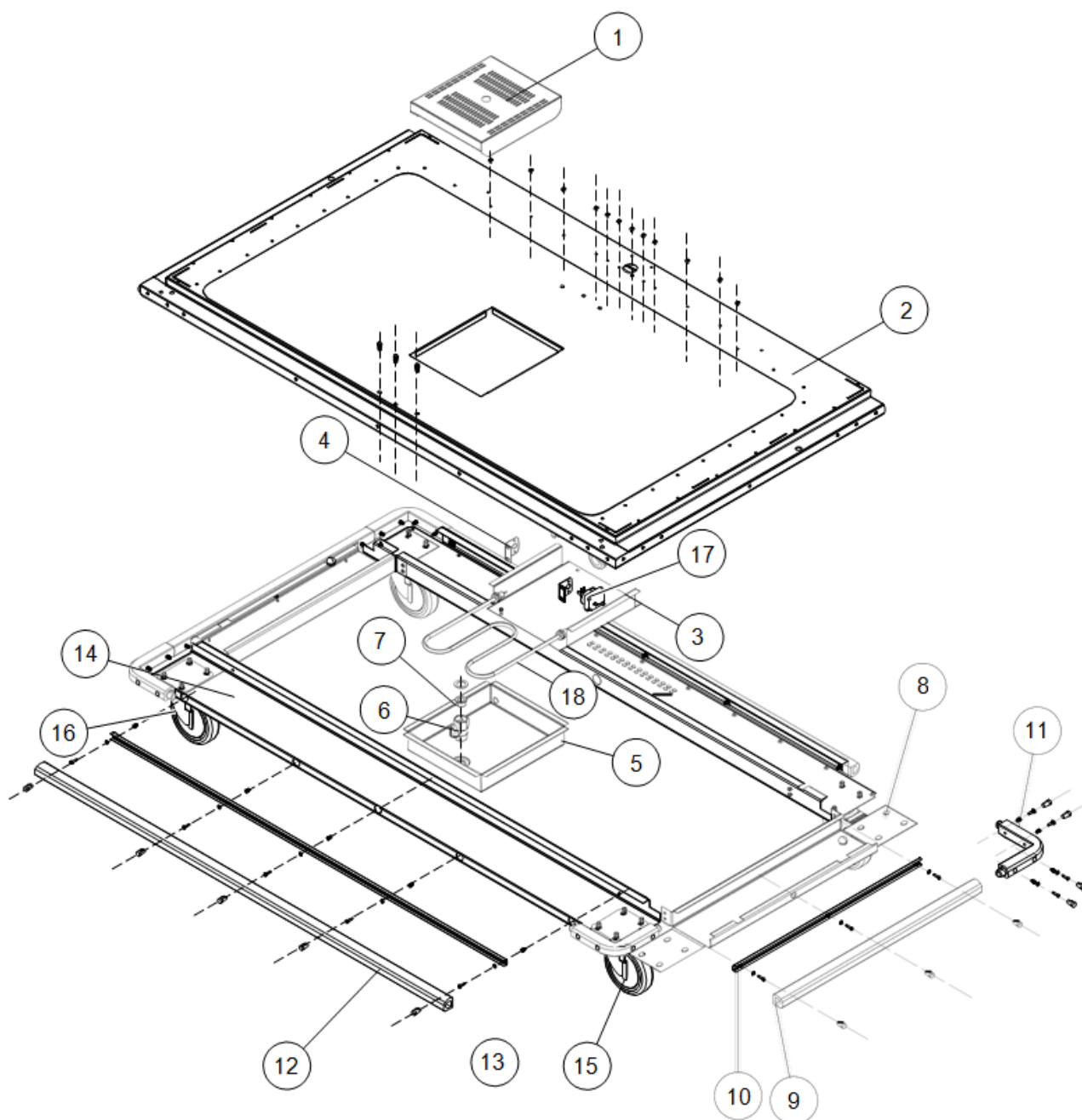
N°	Part Number	Part name	Quantity (pcs)
1	2021 0534	BODY COVER PLATE	1
2	2021 0532	PANEL BODY COMPLETE	1
3	2021 0512	BODY CEILING PLATE	1
4	1003 0700	FLUORESCENT CONNECTION CLAMP	1
5	2021 0518	PANEL LOWER PLATE	1
6	1003 1000	UNION BAKELITE	1
7	1010 0025	THERMOSTAT LIMIT 125°C	1
8	2020 0549	CONNECTION PLATE	1
9	1003 1001	UNION BAKELITE	1
10	1002 0101	TAG CABLE	1
11	1010 0003	THERMOSTAT 0-90°C	1
12	1010 0170	DIGITAL THERMOSTAT	1
13	1009 1000	ENERGY REGULATOR	1
14	2020 0555	BODY CEILING PLATE INTERMEDIATE PART	1
15	2020 9102	PANEL SCREEN PRINT	1
16	1008 0004	SIGNAL LAMP YS10TYELLOW	1
17	2020 6112	BUTTON	3
18	1008 0008	SIGNAL LAMP	2
19	1004 0027	CONNECTOR BLOCK TERMINAL WITH 3 CON.	1

MOTOR GROUP COMPLETE



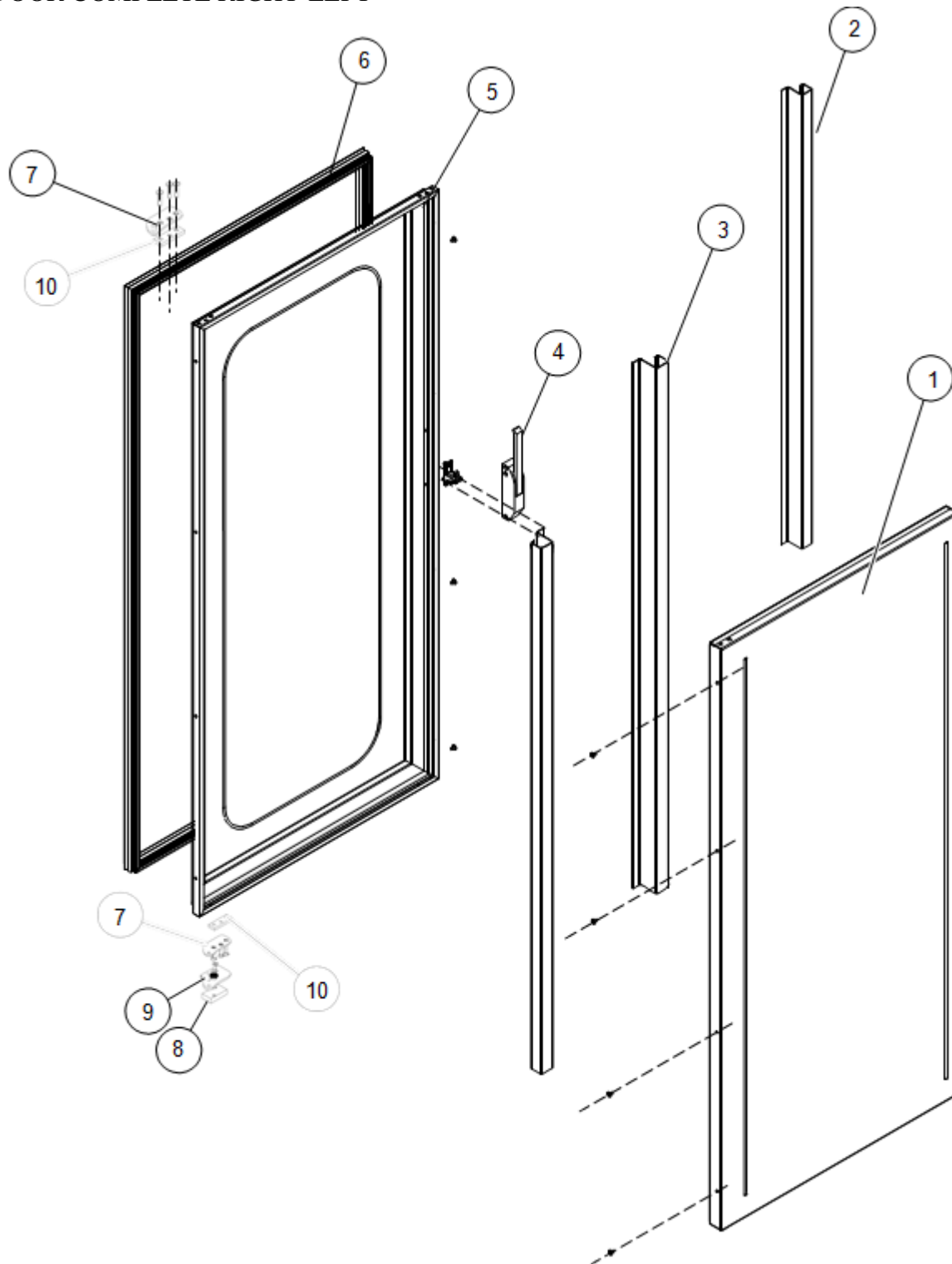
N°	Part Number	Part name	Quantity (pcs)
1	2020 0353	FAN GUARD PLATE	1
2	2021 7023	HEATER 2000W 230V	1
3	1014 0005	FAN PROPELLER	1
4	1207 0012	KLINGERITE GASKET	4
5	2020 0366	THERMOCOUPLE PLATE	1
6	2020 0513	REAR INNER PLATE 304SB	1
7	1003 1000	UNION BAKELITE PG-11 GREY	1
8	2020 0367	THERMOCOUPLE CONNECTION PLATE	1
9	2020 0517	MOTOR HOUSING PLATE	1
10	1014 0036	FAN MOTOR	1
11	1207 0013	KLINGERITE GASKET	1

CARCASS COMPLETE



N°	Part Number	Part name	Quantity (pcs)
1	2021 0548	STRAINER PLATE	1
2	2021 0502	CEILING PLATE	1
3	2021 0505	CABLE COVER PLATE	1
4	2020 0549	CONNECTION PLATE	1
5	2020 0509	POOL PLATE	1
6	1201 0003	VALVE BALL	1
7	1205 0002	EXTENSION	1
8	2021 0565	FRAME SUPPORT PLATE TYRE	2
9	2020 6106	DAMPER DIDE GREY DAMPER	2
10	2021 0544	CONNECTION PLATE TYRE	2
11	2020 6102	DAMPER COVER PLASTIC TYRE	4
12	2021 6106	DAMPER SIDE GREY DAMPER	2
13	2021 0545	CONNECTION PLATE WHEEL	2
14	2021 0503	PLATE FRONT	2
15	1407 0027	WHEEL TABLE	2
16	1407 0026	WHEEL TABLE BRAKE	2
17	1010 0020	THERMOSTAT 0-110 TECASA	1
18	2630 7022	HEATER 1000W	1

DOOR COMPLETE RIGHT-LEFT



N°	Part Number	Part name	Quantity (pcs)
1	2021 0543/0547	DOOR PLATE OUTER LEFT-RIGHT	1
2	2020 0577	DOOR INNER STIFFENING PLATE 304	4
3	2020 0578	DOOR INNER STIFFENING PLATE 304	2
4	1312 0035	DOOR LOCK	2
5	2020 0549	DOOR PLATE INNER	1
6	2020 6105	DOOR GASKET	2
7	2020 0579	DOOR HINGE	4
8	2020 0559	LOCK RATCHET CONNECTION SHHET BAR	2
9	2020 0521	LOWER HINGE PLATE RIGHT	1
9	2020 0531	LOWER HINGE PLATE LEFT	1
10	2020 0583	STEEL FLAT BAR	2