

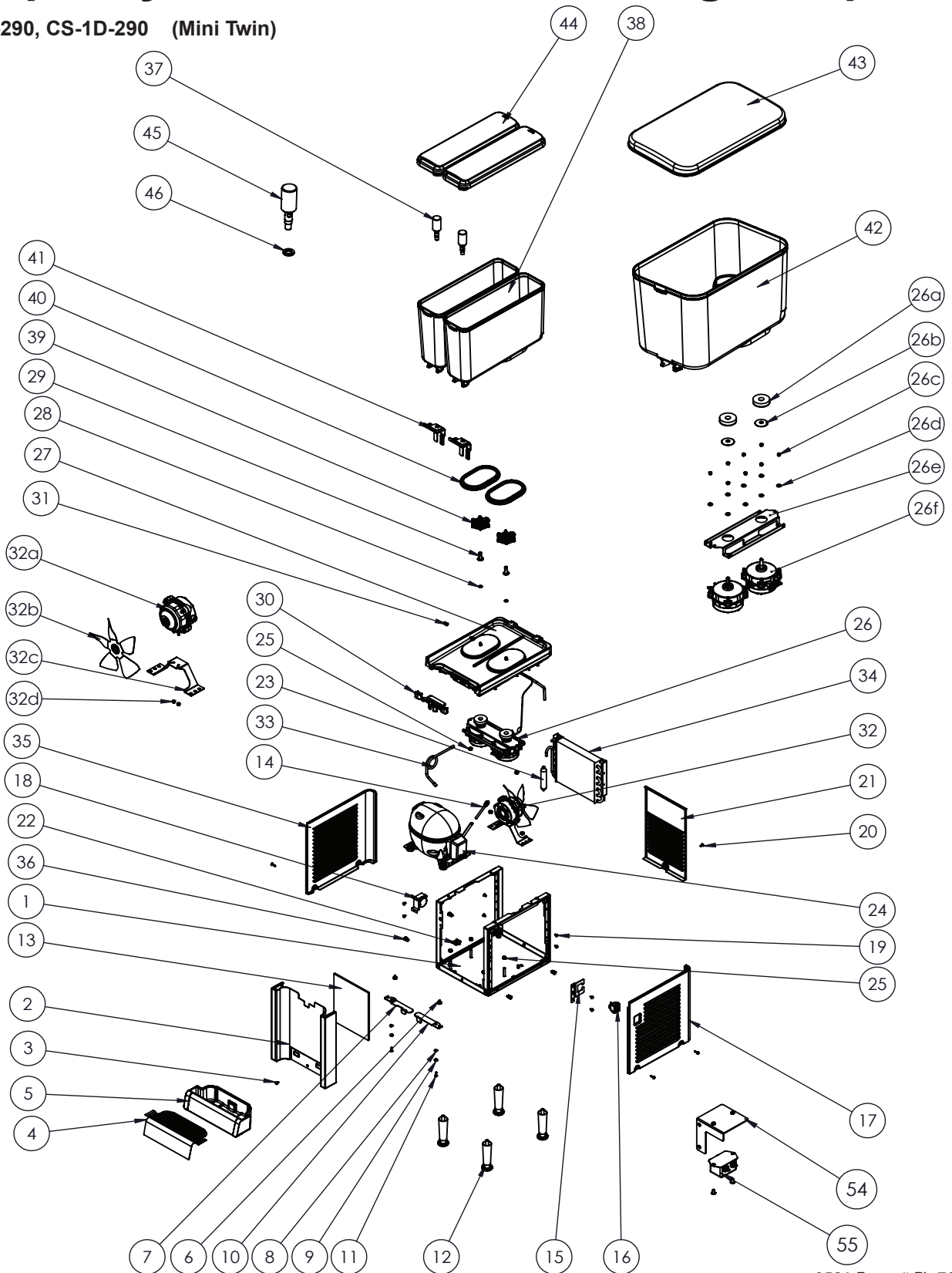


Electrolux Parts Diagram and List

PROFESSIONAL

Simplicity™ Bubbler Cold Beverage Dispensers

CS-2E-290, CS-1D-290 (Mini Twin)



Basic Machine Parts (continued)

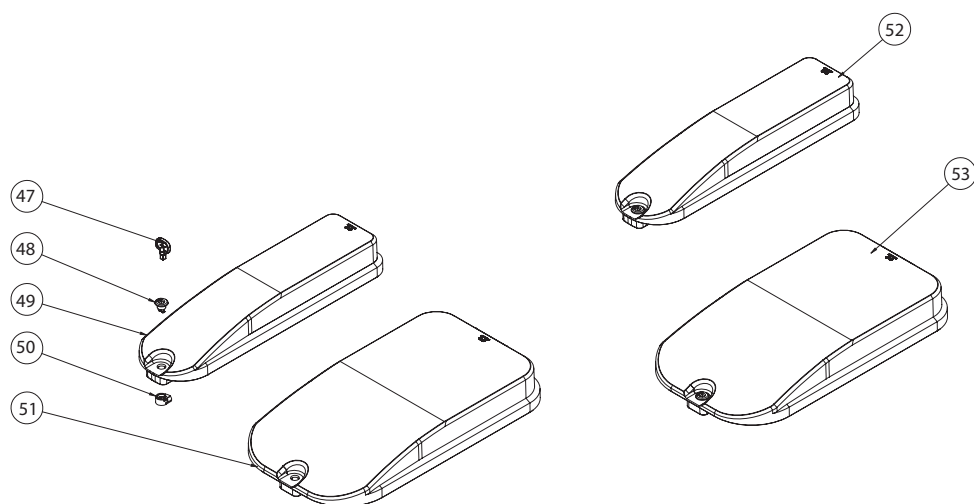
CS-2E-22-290, CS-1D-22-290 (Mini Twin)

Item	Description	CS-2E-22-290 Part No.	CS-2E-22-290 ELUX	CS-1D-22-290 Part No.	CS-1D-22-290 ELUX
BASE ASSEMBLY PARTS					
1	Base Structure, Mini Twin	200-01993		200-01993	
2	Front Panel assembly with magnet, Mini Twin	231-00006		231-00006	
3	Screw Truss Head SS. (Mat. 410)8-32 x 3/8"	350-00110		350-00110	
6	Screw, Support Drip Tray Bracket	220-00013		220-00013	
7	Bracket, Support Drip Tray Lt.	200-00053		200-00053	
8	Washer, Spring DIN 137B	99299		99299	
9	Sleeve, Bracket Support Drip Tray	210-00119		210-00119	
10	Bracket, Support Drip Tray Rt.	200-00052		200-00052	
11	Screw, TPH M4x15 Plastiite SS	99306		99306	
12	Leg, 2" Adjustable W/Rubber Pad	220-00021	0GM1HA	220-00021	0GM1HA
	Leg, 4" Adjustable W/Rubber Pad	M005SA	0GM1DJ	M005SA	0GM1DJ
12a	Leg, Rubber Pad	355-00031	0GM115	355-00031	0GM115
13	Insulation Front Panel, CS-2E	322-00041		322-00041	
14	Service Valve, 1/4"	362-00168		362-00168	
15	Bracket, Switch Rocker	200-00058		200-00058	
16	On-Off Switch Rocker, Insulation	344-00086		344-00086	
17	Right Side Panel, Simplicity	200-02056		200-02056	
18	Temperature Control, ATEX	321-00037		321-00037	
19	Screw, M4x8mm,TH,PH,Trilobe,Blk	99059		99059	
20	Screw, JT. SUS. M4x10	350-00124		350-00124	
21	Back Panel, Mini Twin, Simplicity Refresh	200-02055		200-02055	
22	Wide Wire Saddle, #WWS-A-2-01	354-00001		354-00001	
23	Dryer, R290, E27, E275/6, CS-2E	333-00004		333-00004	
24	Compressor, R290	330-00021		330-00021	
25	Nut, Hex, Lock, 1/4-20 "K" Type	0055		0055	
26	Pump Motor Assy. 300 rpm, 115-220V, 50/60Hz, R290	231-01376		231-01376	
26a	Magnet, Drive Assy	2049	0MG1DK	2049	0MG1DK
26b	Seal,Cover Motor Shaft	290-00144		290-00144	
26c	Nut, M4, Nylon, A4SS	99406		99406	
26d	Washer, Nylon Retaining	3496		3496	
26e	Bracket, Pump Motor	200-00533		200-00533	
26f	Pump Motor 300 RPM, ATEX, 115-220V, 50/60Hz	260-00063		260-00063	
27	Evaporator Assembly, CS-2E	231-00007	0GM1DD	231-00007	0GM1DD
28	Seal, Bearing Sleeve	290-00005	0GM1DT	290-00005	0GM1DT
29	Bearing Sleeve, Agitator models	220-00305	0GM1C0	220-00305	0GM1C0
30	Cam-Lock Remove Bowl Assembly	231-00204	0GM1C2	231-00204	0GM1C2
31	Drainage channel silicone, CS-2E	290-00099		290-00099	
32	Fan Motor, Brushless EC Assy, 115-220V, CS-2E/1D, R290	231-01372		231-01372	
32a	Fan Motor, Brushless EC, 115-220V, 50/60Hz	260-00062		260-00062	
32b	Fan Blade	2040		2040	
32c	Bracket, Fan Motor	3429		3429	
32d	Nut, M4, Nylon, A4SS	99406		99406	
33	Copper, Discharge, CS-2E	362-00258		362-00258	
34	Condenser, CS-2E	332-00021		332-00021	
35	Left Side Panel, simplicity	200-02057		200-02057	
36	Grommet, for Plastic Sides	2679		2679	
54	Bracket,EMI Filter,Simplicity	200-01545		200-01545	
55	EMI Filter,10A, 220V, 50/60Hz	346-00053		346-00053	
Not Show	CORD, POWER SCHUKO (F)	1783	0GM1DC		0GM1DC
	CORD, POWER UK (G)	343-00229			

Basic Machine Parts (continued)

CS-2E-22-290, CS-1D-22-290 (Mini Twin)

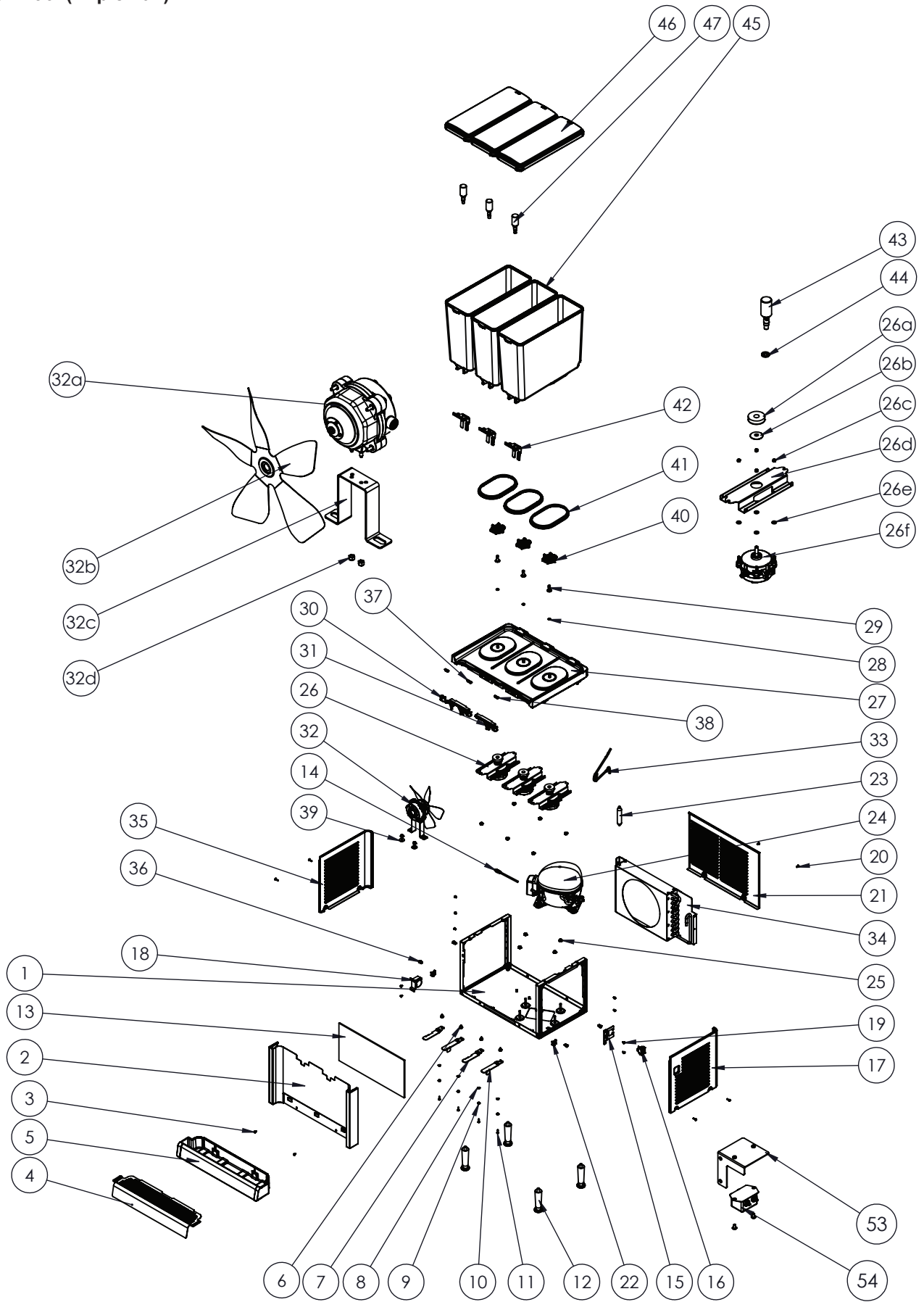
Item	Description	CS-2E-22-290	CS-2E-22-290	CS-1D-22-290	CS-1D-22-290
BOWL ASSEMBLY PARTS		Part No.	ELUX	Part No.	ELUX
4	Cover, Drip Tray Mini Twin	200-00062	0GM1BK	200-00062	0GM1BK
5	Drip Tray, Mini Twin	210-00127		210-00127	
39	Impeller, Mixing (agitator model)	210-00130	0GM1BQ	210-00130	0GM1BQ
40	Gasket, Bowl	290-00006	0GM1BO	290-00006	0GM1BO
41	Push Handle(Cup Activated)	200-01714	0GM1BT	200-01714	0GM1BT
42	Bowl 18 Liters (4.8 Gallon) (agitator model) BPA-free			231-00010T	0GM1BC
43	Bowl Cover, 18 Liters (agitator model) BPA-free			210-00126T	0GM1BG
38	Bowl 9 Liters (2.4 Gallon) (agitator model) BPA-free	231-00009T	0GM1BD		
37	Valve, Dispense with Seal	99464	0GM1K7	99464	0GM1K7
44	Bowl Cover, 9 Liters (agitator model) BPA-free	210-00125T	0GM1BI		
45	Valve, Dispense	99463		99463	
46	Seal, Valve	99380	0GM1JV	99380	0GM1JV



Item	Description	CS-2E-22-290	CS-2E-22-290	CS-1D-22-290	CS-1D-22-290
BOWL ASSEMBLY PARTS		Part No.	ELUX	Part No.	ELUX
47	Key, Locking Lid	210-00889	0GM1NY	210-00889	0GM1NY
48	Upper, Locking Lid	210-00890	0GM1NX	210-00890	0GM1NX
49	Cover, Bowl 9 liters witch Lock, BPA-free	210-00893	0GM1NU		
50	Lower, Locking Lid	210-00891	0GM1NW	210-00891	0GM1NW
51	Cover, Bowl 18 liters witch Lock, BPA-free			210-00894	0GM1NV
52	Cover, Bowl 9 liters witch Lock Assembly, BPA-free	231-01264	0GM1NZ		
53	Cover, Bowl 18 liters witch Lock Assembly, BPA-free			231-01265	0GM1O0

Basic Machine Parts (continued)

CS-3L-290 (Triple Tall)



Basic Machine Parts (continued)

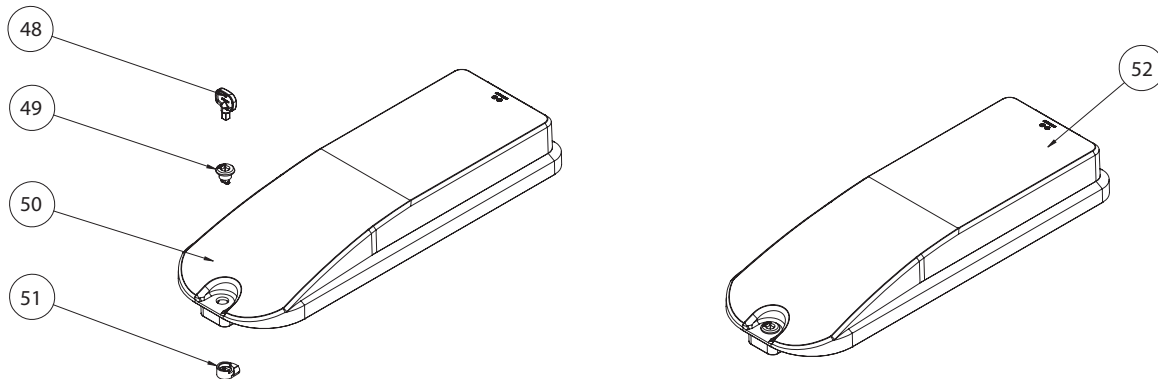
CS-3L-22-290 (Triple Tall)

Item Description		CS-3L-22-290	CS-3L-22-290
BASE ASSEMBLY PARTS		Part No.	ELUX
1	Base Structure, CS-4E, CS-3L	200-01994	
2	Front Panel assembly with magnet, Mini Twin	231-00392	
3	Screw Truss Head SS. (Mat. 410)8-32 x 3/8"	350-00110	
6	Screw, Support Drip Tray Bracket	220-00013	
7	Bracket, Support Drip Tray Lt.	200-00053	
8	Washer, Spring DIN 137B	99299	
9	Sleeve, Bracket Support Drip Tray	210-00119	
10	Bracket, Support Drip Tray Rt.	200-00052	
11	Screw, TPH M4x15 Plastite SS	99306	
12	Leg, 2" Adjustable W/Rubber Pad	220-00021	0GM1HA
	Leg, 4" Adjustable W/Rubber Pad	M005SA	0GM1DJ
12a	Leg, Rubber Pad	355-00031	0GM1I5
13	Insulation Front Panel, CS-4E, CS-3L	322-00026	
14	Service Valve, 1/4"	362-00168	
15	Bracket, Switch Rocker	200-00058	
16	On-Off Switch Rocker, Insulation	344-00086	
17	Right Side Panel, Simplicity	200-02056	
18	Temperature Control, ATEX	321-00037	
19	Screw, M4x8mm,TH,PH,Trilobe,Blk	99059	
20	Screw, JT. SUS. M4x10	350-00124	
21	Back Panel, Mini Quan, Simplicity Refresh	200-02058	
22	Wide Wire Saddle, #WWS-A-2-01	354-00001	
23	DRIER, R290, D35, CS-4E/2D/3D, CS-3L	333-00006	
24	Compressor, R290	330-00025	
25	Nut, Hex, Lock, 1/4-20 "K" Type	0055	
26	Pump Motor Assy. 300 rpm, 115-220V, 50/60Hz, R290	231-01377	
26a	Magnet, Drive Assy	2049	0MG1DK
26b	Seal,Cover Motor Shaft	290-00144	
26c	Nut, M4, Nylon, A4SS	99406	
26d	Bracket, Pump Motor	200-00648	
26e	Washer, Nylon Retaining	3496	
26f	Pump Motor 300 RPM, ATEX, 115-220V, 50/60Hz	260-00063	
27	Evaporator Assembly, CS-3L	231-00405	0GM1DF
28	Seal, Bearing Sleeve	290-00005	0GM1DT
29	Bearing Sleeve, Agitator models	220-00305	0GM1C0
30	Cam-Lock Remove Bowl Lt. Assembly (Double Cam - Lock)	231-00433	0GM1C3
31	Cam-Lock Remove Bowl Rt. Assembly (Single Cam-Lock)	231-00434	0GM1C4
37	Drainage channel silicone, CS-4E	290-00100	
38	Drainage channel silicone, CS-3L	290-00106	
32	Fan Motor, Brushless EC Assy, 115-220V, CS-4E/CS-3L, R290	231-01371	
32a	Fan Motor, Brushless EC, 115-220V, 50/60Hz	260-00062	
32b	Fan Blade	200-01949	
32c	Bracket, Fan Motor	200-01938	
32d	Nut, M4, Nylon, A4SS	99406	
33	Copper, Discharge, CS-4E, CS-3L	362-00259	
34	Condenser, CS-4E, CS-3L	332-00022	
35	Left Side Panel, simplicity	200-02057	
36	Grommet, for Plastic Sides	2679	
39	Washer, compressor mounting	352-00013	
53	EMI Filter,10A, 220V, 50/60Hz	200-01545	
54	Grommet, for Plastic Sides	346-00053	
Not Show	CORD, POWER SCHUKO (F)	1783	0GM1DC
	CORD, POWER UK (G)	343-00229	

Basic Machine Parts (continued)

CS-3L-22-290 (Triple Tall)

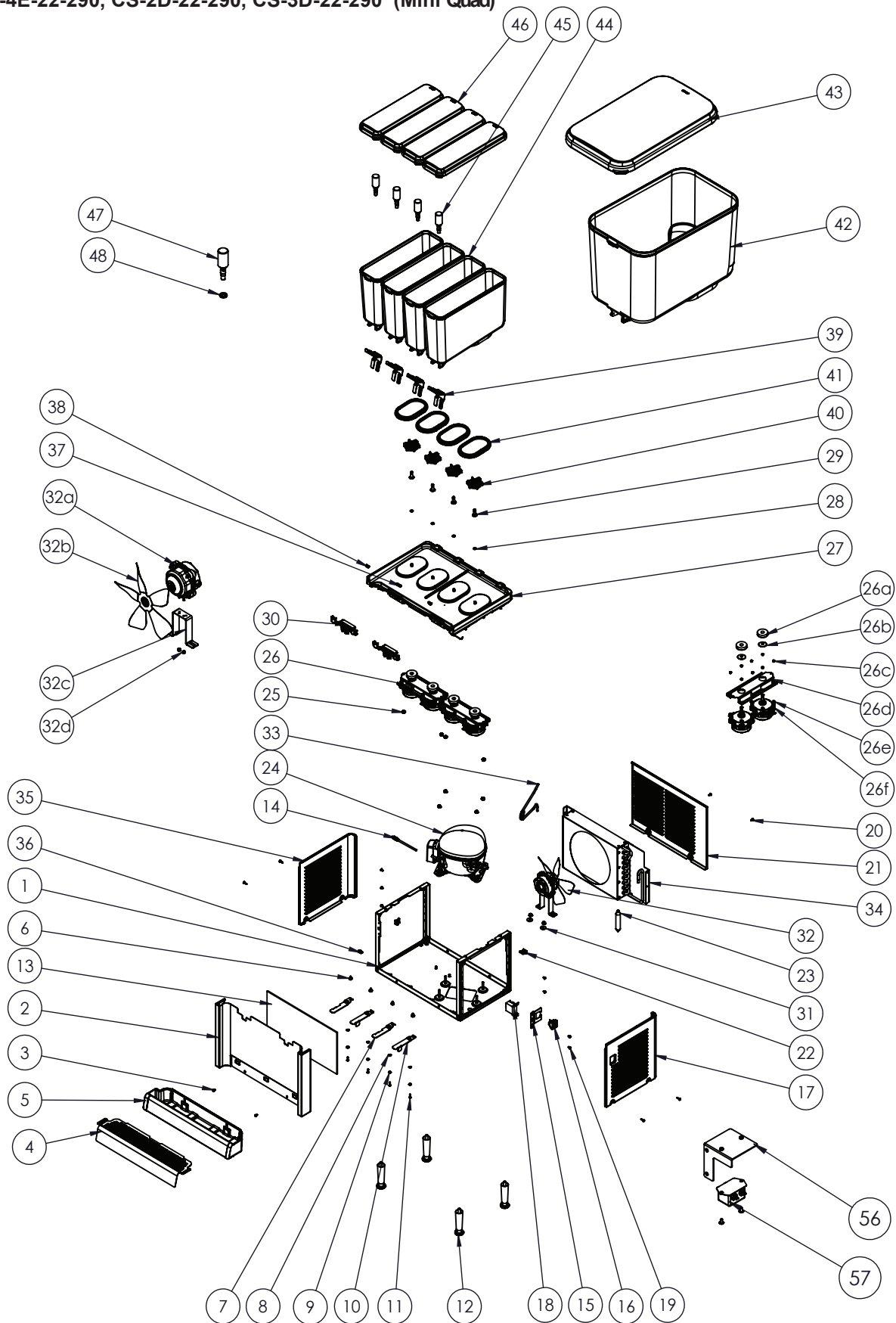
Item Description		CS-3L-22-290	CS-3L-22-290
BASE ASSEMBLY PARTS		Part No.	ELUX
4	Cover, Drip Tray Mini Twin	200-00143	0GM1BJ
5	Drip Tray, Mini Twin	210-00252	
40	Impeller, Mixing (agitator model)	210-00130	0GM1BQ
41	Gasket, Bowl 18L, Tall	290-00089	0GM1BP
42	Push Handle(Cup Activated)	200-01714	0GM1BT
45	Bowl 18 Liters, Tall (4.8 Gallon) (agitator model) BPA-free	231-00404T	0GM1BE
46	Bowl Cover, 18 Liters, Tall (agitator model) BPA-free	210-00495T	0GM1BH
47	Valve, Dispense with Seal	99464	0GM1K7
43	Valve, Dispense	99463	
44	Seal, Valve	99380	0GM1JV



Item Description		CS-3L-22-290	CS-3L-22-290
BASE ASSEMBLY PARTS		Part No.	ELUX
48	Key, Locking Lid	210-00889	0GM1NY
49	Upper, Locking Lid	210-00890	0GM1NX
50	Cover, Bowl 18 liters Tall witch Lock, BPA-free	210-00895	0GM1O1
51	Lower, Locking Lid	210-00891	0GM1NW
52	Cover, Bowl 18 liters Tall witch Lock Assembly, BPA-free	231-01266	0GM1O2

Basic Machine Parts (continued)

CS-4E-22-290, CS-2D-22-290, CS-3D-22-290 (Mini Quad)



Basic Machine Parts (continued)

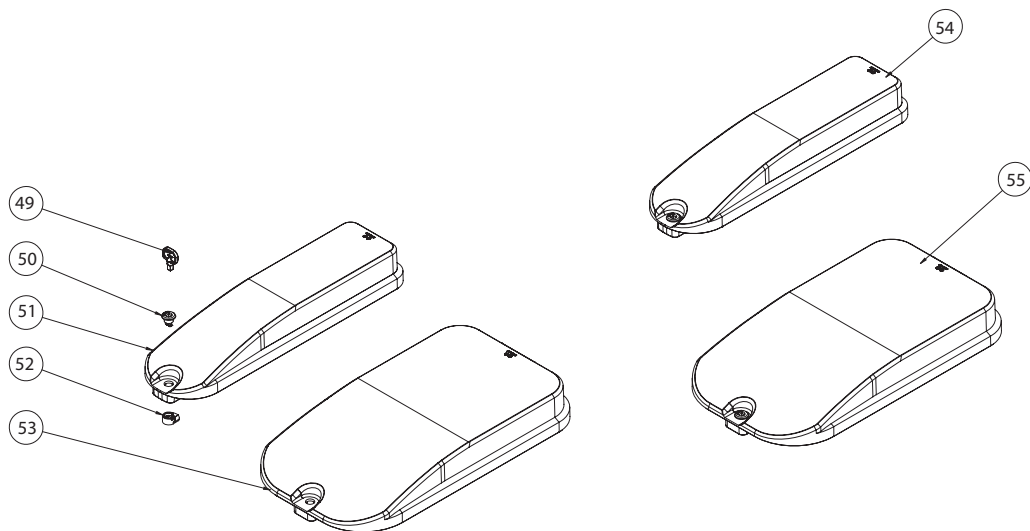
CS-4E-22-290, CS-2D-22-290, CS-3D-22-290 (Mini Quad)

Item	Description	CS-4E-22-290	CS-4E-22-290	CS-2D-22-290	CS-2D-22-290	CS-3D-22-290	CS-3D-22-290
BASE ASSEMBLY PARTS		Part No.	ELUX	Part No.	ELUX	Part No.	ELUX
1	Base Structure, Mini Quad	200-01994		200-01994		200-01994	
2	Front Panel assembly with magnet, Mini Quad	231-00287		231-00287		231-00287	
3	Screw Truss Head SS. (Mat. 410)8-32 x 3/8"	350-00110		350-00110		350-00110	
6	Screw, Support Drip Tray Bracket	220-00013		220-00013		220-00013	
7	Bracket, Support Drip Tray Lt.	200-00053		200-00053		200-00053	
8	Washer, Spring DIN 137B	99299		99299		99299	
9	Sleeve, Bracket Support Drip Tray	210-00119		210-00119		210-00119	
10	Bracket, Support Drip Tray Rt.	200-00052		200-00052		200-00052	
11	Screw, TPH M4x15 Plastife SS	99306		99306		99306	
12	Leg, 2" Adjustable W/Rubber Pad	220-00021	0GM1HA	220-00021	0GM1HA	220-00021	0GM1HA
	Leg, 4" Adjustable W/Rubber Pad	M005SA	0GM1DJ	M005SA	0GM1DJ	M005SA	0GM1DJ
12a	Leg, Rubber Pad	355-00031	0GM1I5	355-00031	0GM1I5	355-00031	0GM1I5
13	Insulation Front Panel, CS-4E, CS-3L	322-00026		322-00026		322-00026	
14	Service Valve, 1/4"	362-00168		362-00168		362-00168	
15	Bracket, Switch Rocker	200-00058		200-00058		200-00058	
16	On-Off Switch Rocker	344-00086		344-00086		344-00086	
17	Right Side Panel, Simplicity	200-02056		200-02056		200-02056	
18	Temperature Control, ATEX	321-00037		321-00037		321-00037	
19	Screw, M4x8mm,TH,PH,Trilobe,Blk	99059		99059		99059	
20	Screw, JT. SUS. M4x10	350-00124		350-00124		350-00124	
21	Back Panel, Mini Quan, Simplicity Refresh	200-02058		200-02058		200-02058	
22	Wide Wire Saddle, #WWS-A-2-01	354-00001		354-00001		354-00001	
23	DRIER, R290, D35, CS-4E/2D/3D, CS-3L	333-00006		333-00006		333-00006	
24	Compressor R290	330-00025		330-00025		330-00025	
25	Nut, Hex, Lock, 1/4-20 "K" Type	0055		0055		0055	
26	Pump Motor Assy. 300 rpm, 115-220V, 50/60Hz, R290	231-01377		231-01377		231-01377	
26a	Magnet, Drive Assy (Agitator model)	2049	0MG1DK	2049	0MG1DK	2049	0MG1DK
26b	Seal,Cover Motor Shaft	290-00144		290-00144		290-00144	
26c	Nut, M4, Nylon, A4SS	99406		99406		99406	
26d	Bracket, Pump Motor (Agitator model)	200-00533		200-00533		200-00533	
26e	Washer, Nylon Retaining	3496		3496		3496	
26f	Pump Motor 300 RPM, ATEX, 115-220V, 50/60Hz	260-00063		260-00063		260-00063	
27	Evaporator Assembly, CS-4E	231-00228		231-00228		231-00228	
28	Seal, Bearing Sleeve	290-00005	0GM1DT	290-00005	0GM1DT	290-00005	0GM1DT
29	Bearing Sleeve, Agitator models	220-00305	0GM1C0	220-00305	0GM1C0	220-00305	0GM1C0
30	Cam-Lock Remove Bowl Assembly	231-00204	0GM1C2	231-00204	0GM1C2	231-00204	0GM1C2
31	Washer, compressor mounting	352-00013		352-00013		352-00013	
32	Fan Motor, Brushless EC Assy, 115-220V, CS-4E/CS-3L, R290	231-01371		231-01371		231-01371	
32a	Fan Motor, Brushless EC, 115-220V, 50/60Hz	260-00062		260-00062		260-00062	
32b	Fan Blade	200-01949		200-01949		200-01949	
32c	Bracket, Fan Motor	200-01938		200-01938		200-01938	
32d	Nut, M4, Nylon, A4SS	99406		99406		99406	
33	Copper, Discharge, CS-4E, CS-3L	362-00259		362-00259		362-00259	
34	Condenser, CS-4E, CS-3L	332-00022		332-00022		332-00022	
35	Left Side Panel, Simplicity	200-02057		200-02057		200-02057	
36	Grommet, for Plastic Sides	2679		2679		2679	
37	Drainage channel silicone, CS-4E	290-00100		290-00100		290-00100	
38	Drainage channel silicone, CS-2E	290-00099		290-00099		290-00099	
56	Bracket,EMI Filter,Simplicity	200-01545		200-01545		200-01545	
57	EMI Filter,10A, 220V, 50/60Hz	346-00053		346-00053		346-00053	
Not Show	CORD, POWER SCHUKO (F)	1783	0GM1DC	1783	0GM1DC	1783	0GM1DC
	CORD, POWER UK (G)	343-00229		343-00229		343-00229	

Basic Machine Parts (continued)

CS-4E-22-290, CS-2D-22-290, CS-3D-22-290 (Mini Quad)

Item	Description	CS-4E-22-290	CS-4E-22-290	CS-2D-22-290	CS-2D-22-290	CS-3D-22-290	CS-3D-22-290
BASE ASSEMBLY PARTS		Part No.	ELUX	Part No.	ELUX	Part No.	ELUX
4	Cover, Drip Tray Mini Quad	200-00143	0GM1BJ	200-00143	0GM1BJ	200-00143	0GM1BJ
5	Drip Tray, Mini Quad	210-00252		210-00252		210-00252	
40	Impeller, Mixing (Agitator model)	210-00130	0GM1BQ	210-00130	0GM1BQ	210-00130	0GM1BQ
41	Gasket, Bowl	290-00006	0GM1BO	290-00006	0GM1BO	290-00006	0GM1BO
42	Bowl 18 Liters (4.8 Gallon) (agitator model) BPA-free			231-00010T	0GM1BC	231-00010T	0GM1BC
43	Bowl Cover, 18 Liters (agitator model) BPA-free			210-00126T	0GM1BG	210-00126T	0GM1BG
44	Bowl 9 Liters (2.4 Gallon) (agitator model) BPA-free	231-00009T	0GM1BD			231-00009T	0GM1BD
45	Valve, Dispense with Seal	99464	0GM1K7	99464	0GM1K7	99464	0GM1K7
46	Bowl Cover, 9 Liters (agitator model) BPA-free	210-00125T	0GM1BI			210-00125T	0GM1BI
47	Valve, Dispense	99463		99463		99463	
48	Seal, Valve	99380	0GM1JV	99380	0GM1JV	99380	0GM1JV
39	Push Handle(Cup Activated)	200-01714	0GM1BT	200-01714	0GM1BT	200-01714	0GM1BT



Item	Description	CS-4E-22-290	CS-4E-22-290	CS-2D-22-290	CS-2D-22-290	CS-3D-22-290	CS-3D-22-290
BASE ASSEMBLY PARTS		Part No.	ELUX	Part No.	ELUX	Part No.	ELUX
49	Key, Locking Lid	210-00889	0GM1NY	210-00889	0GM1NY	210-00889	0GM1NY
50	Upper, Locking Lid	210-00890	0GM1NX	210-00890	0GM1NX	210-00890	0GM1NX
51	Cover, Bowl 9 liters witch Lock, BPA-free	210-00893	0GM1NU			210-00893	0GM1NU
52	Lower, Locking Lid	210-00891	0GM1NW	210-00891	0GM1NW	210-00891	0GM1NW
53	Cover, Bowl 18 liters witch Lock, BPA-free			210-00894	0GM1NV	210-00894	0GM1NV
54	Cover, Bowl 9 liters witch Lock Assembly, BPA-free	231-01264	0GM1NZ			231-01264	0GM1NZ
55	Cover, Bowl 18 liters witch Lock Assembly, BPA-free			231-01265	0GM1O0	231-01265	0GM1O0

