

Abbattitori/congelatori
Blast chillers and freezers

BLAST CHILLER/FREEZER 10GN 2/1 CROSSWISE 56/64 Kg

| PNC | Avv | Model | Brand | Ref. | Page |
|--------|-------|--------------------------------------------------------------|-----------|------|------|
| 110034 | 04/04 | Crosswise10 GN2/1 Chiller 56 kg usa version | Zanussi | e | 2 3 |
| 110038 | 06/06 | Crosswise10 GN2/1 Chiller 56 kg (uk) 380-400\3 + n\60 hz | Zanussi | f | 2 3 |
| 110042 | 06/06 | Crosswise10 GN 2/1 Freezer 56/64 kg (uk) 380-400\3 + n\60 hz | Zanussi | g | 2 3 |
| 110247 | 00/00 | Crosswise10 GN 2/1 Chiller/Freezer 56/64 kg | Zanussi | a | 2 3 |
| 110720 | 14/14 | Crosswise10 GN2/1 Chiller 56 kg (uk) | Zanussi | b | 2 3 |
| 110724 | 34/34 | Crosswise10 GN 2/1 Freezer 56/64 kg (uk) | Zanussi | a | 2 3 |
| 110834 | 00/00 | Crosswise10 GN 2/1 Freezer 56/64 kg (uk) R452A | Zanussi | a | 2 3 |
| 726046 | 19/19 | Crosswise10 GN 2/1 Freezer 56/64 kg | Elux | l | 2 3 |
| 726884 | 08/08 | Blast Chiller/Freezer 64/56KG 10GN2/1 TK | Elux | m | 2 3 |
| 727897 | 00/00 | Crosswise10 GN 2/1 Freezer 56/64 kg R452A | Elux | l | 2 3 |
| 727898 | 00/00 | Blast Chiller/Freezer 64/56KG 10GN2/1 TK R452A | Elux | m | 2 3 |
| 728309 | 09/09 | Crosswise10 GN2/1 Chiller 56 kg (uk) | Franstal | h | 2 3 |
| 728452 | 10/10 | Crosswise10 GN 2/1 Freezer 56/64 kg (uk) | Franstal | i | 2 3 |
| 728593 | 14/14 | Crosswise10 GN2/1 Chiller 56 kg (uk) | Alpeninox | d | 2 3 |
| 728595 | 34/34 | Crosswise10 GN 2/1 Freezer 56/64 kg (uk) | Alpeninox | c | 2 3 |
| 728961 | 00/00 | Crosswise10 GN 2/1 Freezer 56/64 kg (uk) R452A | Alpeninox | c | 2 3 |

Note: per la corretta identificazione dei componenti, attenersi esclusivamente alle pagine indicate e alla lettera di riferimento.

Note: for the correct identification of the components, follow the indicated pages and the reference letter.

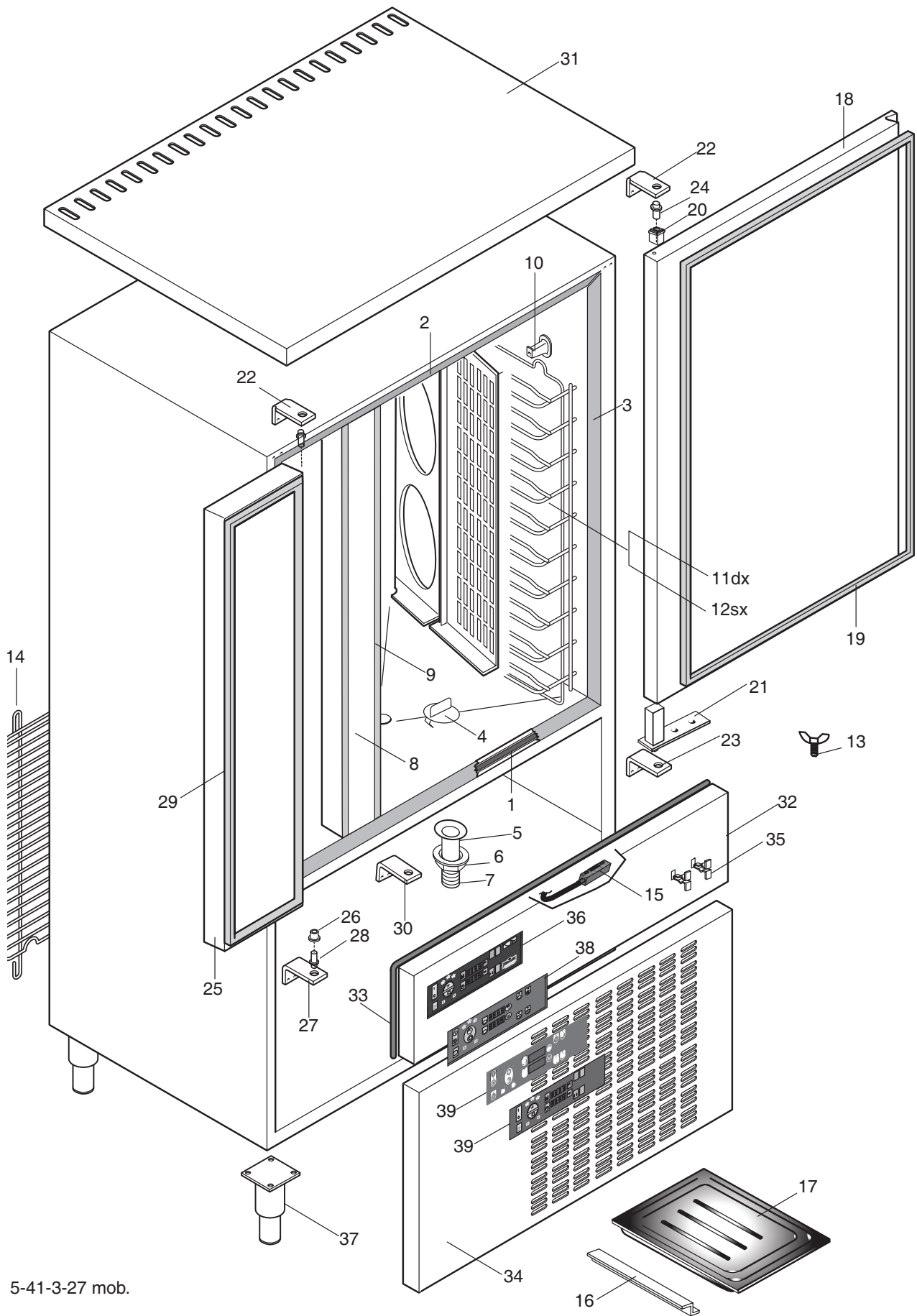
NOTE:

†The user board and food probes have been change from ser.N°01700001 due to a new connectors. Please for other information see the tec.doc n°VTX.2010-03. Compressor changed in codes 110724-728452-728595 with serial number 61600001 from spc 085235 model K 300 CS (Dorin) to spc 099916 model H 290 CS (Dorin) with pipes of low and high pressure with code 091225 and 091226.

From serial number 71600001 change electronic board, stiker control, compressor, thermostatic valve, on codes **a,b,c,d,f,g**.

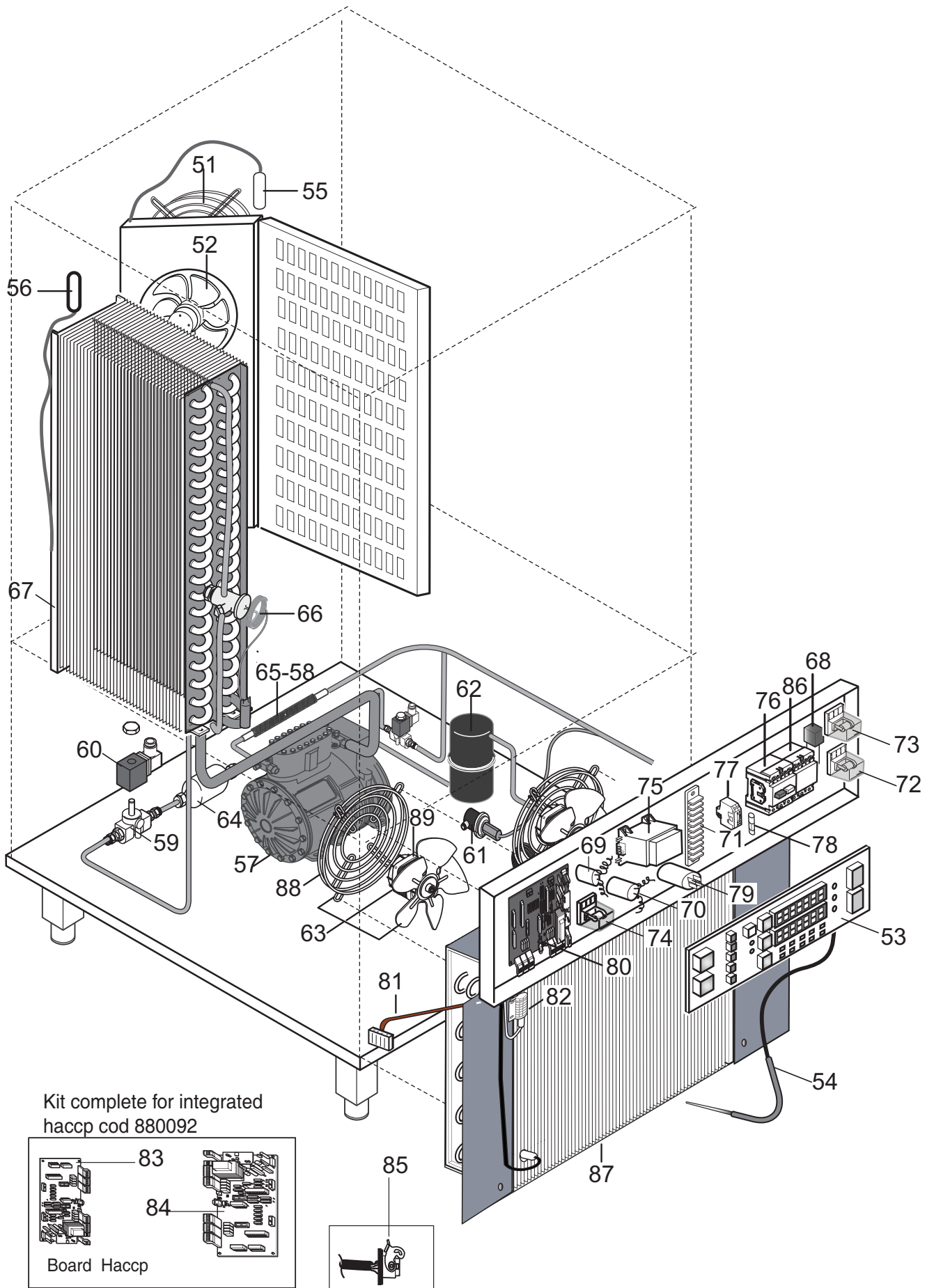
| Pag. | Index | Indice |
|---------|-----------------------|---------------------|
| 2 | Cabinet and door | Armadio e porta |
| 3 | Cooling unit assembly | Gruppo refrigerante |
| 2 | Control panel | Pannello comandi |
| 4,5,6,7 | Spare parts list | Lista ricambi |

Rev5



5-41-3-27 mob.

*T.C = turbo cooling



*T.C = turbo cooling

Da Ser. Nr. / From ser. nr.:
* component on demand

Page:3
updated 07/2020

Ed.1" 05/2010

Doc. Nr:

541327

| Pos | Spare parts code | Descrizione | Description | Ref - Note |
|-----|------------------|--------------------------------|----------------------------------|---------------------------------------|
| 1 | 090001 | Cavo riscaldante | Heating cable for gasket | a,c,g,i,l |
| 2 | 090002 | Riscontro orrizzontale | Horrrizontal frame | |
| 3 | 090003 | Riscontro verticale | Vertical frame | |
| 4 | 083886 | Tappo per piletta | Plug for drain | a,b,c,d,f,g,h,i,l up to 6030... |
| 4 | 088089 | Tappo per piletta | Plug for drain | e |
| 4 | 093934 | Tappo per piletta | Plug for drain | a,b,c,d,f,g,h,i,l from 6040... |
| 5 | 083591 | Piletta | Drain | |
| 6 | 083592 | Controdado | Nut for drain | |
| 7 | 083593 | Portagomma | Support for rubber discharge | |
| 8 | 090004 | Montante centrale | Middle support | |
| 9 | 090005 | Cornici montante | Middle support frame | |
| 10 | 083878 | Supporto struttura | Grid support hook | |
| 11 | 090006 | Telaio destro | Right grid support | a,b,c,d,f,g,h,i,l |
| 11 | 087950 | Telaio destro | Right grid support | e |
| 12 | 090007 | Telaio sinistro | Left grid support | a,b,c,d,f,g,h,i,l |
| 12 | 087951 | Telaio sinistro | Left grid support | e |
| 13 | 090008 | Vite alettata | Screw for grid support | |
| 14 | 090009 | Chiusura posteriore | Back grid | |
| 15 | 088578 | Sensore magnetico porta | Door magnetic sensor | |
| 16 | 090010 | Guida per bacinella | Guide for basin | |
| 17 | 080803 | Bacinella raccolta condensa | Basin | |
| 18 | 085764 | Porta | Door | a,b,c,d,e,f,g,h,i,l |
| 18 | 0A9620 | Porta | Door | c,d,i until .n°705000.. |
| 19 | 083397 | Guarnizione | Gasket | a,b,c,d,f,g,i,l |
| 19 | 099178 | Guarnizione | Gasket | e |
| 20 | 083875 | Boccola per porta | Door bush | |
| 21 | 083876 | Cerniera | Hinge | |
| 22 | 085754 | Staffa superiore per porta | Upper bracket for door | |
| 23 | 085755 | Staffa inferiore per porta | Lower bracket for door | |
| 24 | 0A9124 | Perno per cerniera | Pin for hinge | |
| 25 | 085777 | Pannello schiumato | Foam panel | |
| 26 | 087955 | Boccola | Bush | |
| 27 | 085778 | Cerniera inferiore | Lower hinge | |
| 28 | 082757 | Perno per cerniera | Pin for hinge | |
| 29 | 085776 | Guarnizione pannello | Panel gasket | |
| 30 | 088120 | Staffa per pannello | Bracket for panel | |
| 31 | 085779 | Sopralzo | Top | |
| 32 | 090011 | Cruscotto | Control panel | Up to 2019/48 |
| 32 | 096094 | Cruscotto | Control panel | From 2019/49 |
| 33 | 0L0113 | Guarnizione per cruscotto | Gasket for control panel | |
| 34 | 090012 | Pannello condensatore | Condenser panel | |
| 35 | 053342 | Molla arresto marchio | Brand retaining spring | Up to 2019/48 |
| 36 | 088584 | Membrana adesiva bcf senza T.C | Sticker control bcf without T.C. | a,g until to ser.N°716 |

*T.C = turbo cooling

| Pos | Spare parts code | Descrizione | Description | Ref - Note |
|-----------|------------------|-------------------------------------|--------------------------------------|----------------------------------------|
| 36 | 091296 | Membrana adesiva bcf con T.C | Sticker control bcf with T.C. | a,g from ser.N°717 up to 2014/15 |
| 36 | 094229 | Membrana adesiva bcf con T.C | Sticker control bcf with T.C. | a, g from 2014/16 Up to 2019/48 |
| 36 | 096090 | Membrana adesiva bcf con T.C | Sticker control bcf with T.C. | a, g from 2019/49 |
| 36 | 088585 | Membrana adesiva bc senza T.C | Sticker control bc without T.C. | b,f until to ser.N°716 |
| 36 | 091295 | Membrana adesiva bc con T.C | Sticker control bc with T.C. | b,f from ser.N°717 |
| 36 | 099174 | Membrana adesiva | Sticker control | e |
| 37 | 048579 | Piede | Foot | |
| 38 | 088587 | Membrana adesiva bcf senza T.C | Sticker control bcf without T.C. | c until to ser.N°716 |
| 38 | 091567 | Membrana adesiva bcf con T.C | Sticker control bcf with T.C. | c from ser.N°717 up to 2014/15 |
| 38 | 094225 | Membrana adesiva bcf con T.C | Sticker control bcf with T.C. | c from 2014/16 Up to 2019/48 |
| 38 | 096086 | Membrana adesiva bcf con T.C | Sticker control bcf with T.C. | c from 2019/49 |
| 38 | 088586 | Membrana adesiva bc senza T.C | Sticker control bc without T.C | d until to ser.N°716 |
| 38 | 091568 | Membrana adesiva bc con T.C | Sticker control bc with T.C | d from ser.N°717 |
| 39 | 099928 | Membrana adesiva Franstal | Sticker control Franstal | h |
| 39 | 099927 | Membrana adesiva Franstal | Sticker control Franstal | i |
| 40 | 091564 | Membrana adesiva Electrolux | Sticker controlElectrolux | l, m up to 2014/15 |
| 40 | 094227 | Membrana adesiva Electrolux | Sticker controlElectrolux | l, m from 2014/16 Up to 2019/48 |
| 40 | 096088 | Membrana adesiva Electrolux | Sticker controlElectrolux | l, m from 2019/49 |
| 51 | 088623 | Griglia ventilatore evaporatore | Evaporator protection grid e | |
| 52 | 090014 | Ventilatore | Motor ventilator | a,b,c,d,f ,g,h,i ,l |
| 52 | 099179 | Ventilatore | Motor ventilator | e |
| 53 | 088591 | Scheda pulsanti old co.tors | User board old co.tors | until serial n.01600... |
| 53 | 092700 | Scheda pulsanti new co.tors | User board new co.tors | from n.01700001 |
| 54 | 092704 | Spillone conico new co.tors | Food probe new co.tors | |
| 55 | 092177 | Sonda cella "blu" | Cell probe | |
| 56 | 093531 | Sonda Evapoatore grigia | Probe Evaporator grey | See TB_VTX2017_04 |
| 57 | 085235 | Compressore K 300 CS 380/420 V | Compressore K 300 CS 380/420 V | a,c,i until n.616..... |
| 57 | 090015 | Compressore H 250 CS 400 V | Compressore H 250 CS 400 V | b,d,h until n.716..... |
| 57 | 099650 | Compressore K 280 CC 220 /230V | Compressore K 280 CC 220 /230V | f,g |
| 57 | 099916 | Compressore H 290 CS 380/420 V | Compressore H 290 CS 380/420 V | a,c,i,l from n.616..... |
| 57 | 088125 | Compressore K230 cs 208 /230 V | Compressore K230 CS 208 /230 V | e |
| 57 | 091669 | Compressore THF4531Z | Compressore THF4531Z | b,d,h from n.716..... |
| 58 | 088479 | Giunto antivibrante | Vibration-damping joint | |
| 59 | 084085 | Corpo valvola solenoide | Solenoid valve | a,c,g,i,l |
| 59 | 080030 | Corpo valvola solenoide | Solenoid valve | b,d,f,h |
| 59 | 087970 | Corpo valvola solenoide | Solenoid valve | e |
| 60 | 088351 | Bobina per valvola | Coil | a,c,g,i,l |
| 60 | 085847 | Bobina per valvola | Coil | b,d,f,h |
| 60 | 099180 | Bobina per valvola | Coil | e |
| 61 | 085088 | Pressostato | Pressostat | a,c,g ,i ,l Order KIT 097774 |

*T.C = turbo cooling

| Pos | Spare parts code | Descrizione | Description | Ref - Note |
|-----|------------------|-------------|-------------|------------|
|-----|------------------|-------------|-------------|------------|

| | | | | |
|----|--------|----------------------------------|---------------------------------|----------------------------------------|
| 61 | 085060 | Pressostato | Pressostat | b,d,e,f,h |
| 62 | 083468 | Recitevitore di liquido | Tanic liquid | a,b,c,d,f,g,h ,i ,l |
| 62 | 088126 | Recitevitore di liquido | Tanic liquid | e |
| 63 | 088350 | Ventilatore condensatore | Motor ventilator for condenser | a,c,g,i,l,m up to 6401 |
| 63 | 094830 | Ventilatore condensatore | Motor ventilator for condenser | a,c,l,m from 6411 |
| 64 | 087438 | Filtro deidratore | Dehidrator filter | a,c,g,i,l |
| 64 | 088201 | Filtro deidratore | Dehidrator filter | b,d,e,f,h |
| 65 | 088480 | Giunto antivibrante | Vibration-damping joint | |
| 66 | 088347 | Valvola termostatica | Thermostatic valve | a,c,g,i,l |
| 66 | 088402 | Valvola termostatica (danfoss) | Thermostatic valve (danfoss) | b,d,e,f,h until N°716 |
| 66 | 091717 | Valvola termostatica (sporlan) | Thermostatic valve (sporlan) | b,d,e,f,h from N°716 |
| 67 | 090016 | Evaporatore | Evaporator | |
| 68 | 088628 | Filtro elettrico | Electric filter | a,b,c,d,f ,g,h,i,l |
| 68 | 099146 | Filtro elettrico | Electric filter | e |
| 69 | 083406 | Condensatore 5mf per vent.cell. | Capacitor 5 mf for cell fan | |
| 70 | 084721 | Condens. 4mf per vent.condensat. | Capacitor 4 mf for cond. fan | Up to 6401 |
| 70 | 094620 | Condens. 4mf per vent.condensat. | Capacitor 4 mf for cond. fan | From 6411 |
| 71 | 088358 | Morsettiera | Clamp | |
| 71 | 088165 | Morsettiera | Clamp | h |
| 72 | 088197 | Rele` (RA) 62.83.8.230 | Relay (RA) 62.83.8.230 | |
| 73 | 083215 | Rele` (RS) | Relay (RS) | a,c,g,l |
| 74 | 056510 | Rele` 60.63.8.024 | Relay 60.63.8.024 | |
| 75 | 087662 | Trasformatore | Voltage adaptor | a,b,c,d,f ,g,h,i,l |
| 75 | 090091 | Trasformatore | Voltage adaptor | e |
| 76 | 083508 | Interuttore salvamotore | Safety switch for compressor | a,c,f,g,i,l |
| 76 | 083472 | Interuttore salvamotore | Safety switch for compressor | b,d,h |
| 76 | 083898 | Interuttore salvamotore | Safety switch for compressor | e |
| 77 | 088478 | Porta fusibile | Fuse Support | a,b,c,d,f ,g,h,i ,l |
| 77 | 089865 | Porta fusibile | Fuse Support | e |
| 78 | 090017 | Fusibile 5x20 4A | Fuse 5x20 4A | a,b,c,d,f,g,h,i,l |
| 78 | 088227 | Fusibile | Fuse | e |
| 78 | 090094 | Fusibile | Fuse | e |
| 79 | 084987 | Filtro elettrico | Electric filter | a,b,c,d,f ,g,h,i ,l |
| 79 | 090092 | Filtro elettrico | Electric filter | e |
| 80 | 090018 | Scheda principale | Main Board without T.C | until ser.N°716*(to be set) |
| 80 | 092854 | Scheda principale rel.1.63 | Main Board V 1.63 | *(param.map on website) |
| 81 | 088345 | Sonda condensatore/ambiente | Probe condenser/room | up to 038070..(2010) |
| 81 | 092188 | Sonda condensatore/ambiente | Probe condenser/room | a,c,l,m from 039070..(2010) up to 6401 |
| 82 | 082602 | Protezione sonda | Protection probe | |
| 83 | 088570 | Scheda Haccp RS485 | Hccp board RS485 | |
| 84 | 090019 | Scheda Principale per Haccp | Main board for integrated haccp | (param.map on website) |
| 85 | 089998 | Connettore per stampante haccp | Connector for sprint haccp | |
| 86 | 088477 | Contattore | Switch for compressor | a,b,c,d,g,h,i, |

*T.C = turbo cooling

| Pos | Spare parts code | Descrizione | Description | Ref - Note |
|-----|------------------|----------------------------------|---------------------------|--------------------------------|
| 86 | 099090 | Contattore | Switch for compressor | e,f,g |
| 87 | 090020 | Condensatore | Condenser | a,c,g,i,l |
| 87 | 090021 | Condensatore | Condenser | b,d,e,f,h |
| 88 | 090022 | Griglia ventilatore | Protection grid | b,d,f,h |
| 88 | 099181 | Griglia ventilatore | Protection grid | e |
| 89 | 089991 | Ass. ventilatore | Motor ventilator with fan | b,d,f,h |
| 89 | 099166 | Ass. ventilatore | Motor ventilator with fan | e |
| 90 | 091225 | Tubo mandata alta pressione | Hight pressure pipe | a,c,i,l from serial n.616..... |
| 91 | 091226 | Tubo aspirazione bassa pressione | Lower pressure pipe | a,c,i,l from serial n.616..... |
| | | | | |
| | | | | |
| | | | | |
| | | | | |
| | | | | |
| | | | | |

*T.C = turbo cooling