



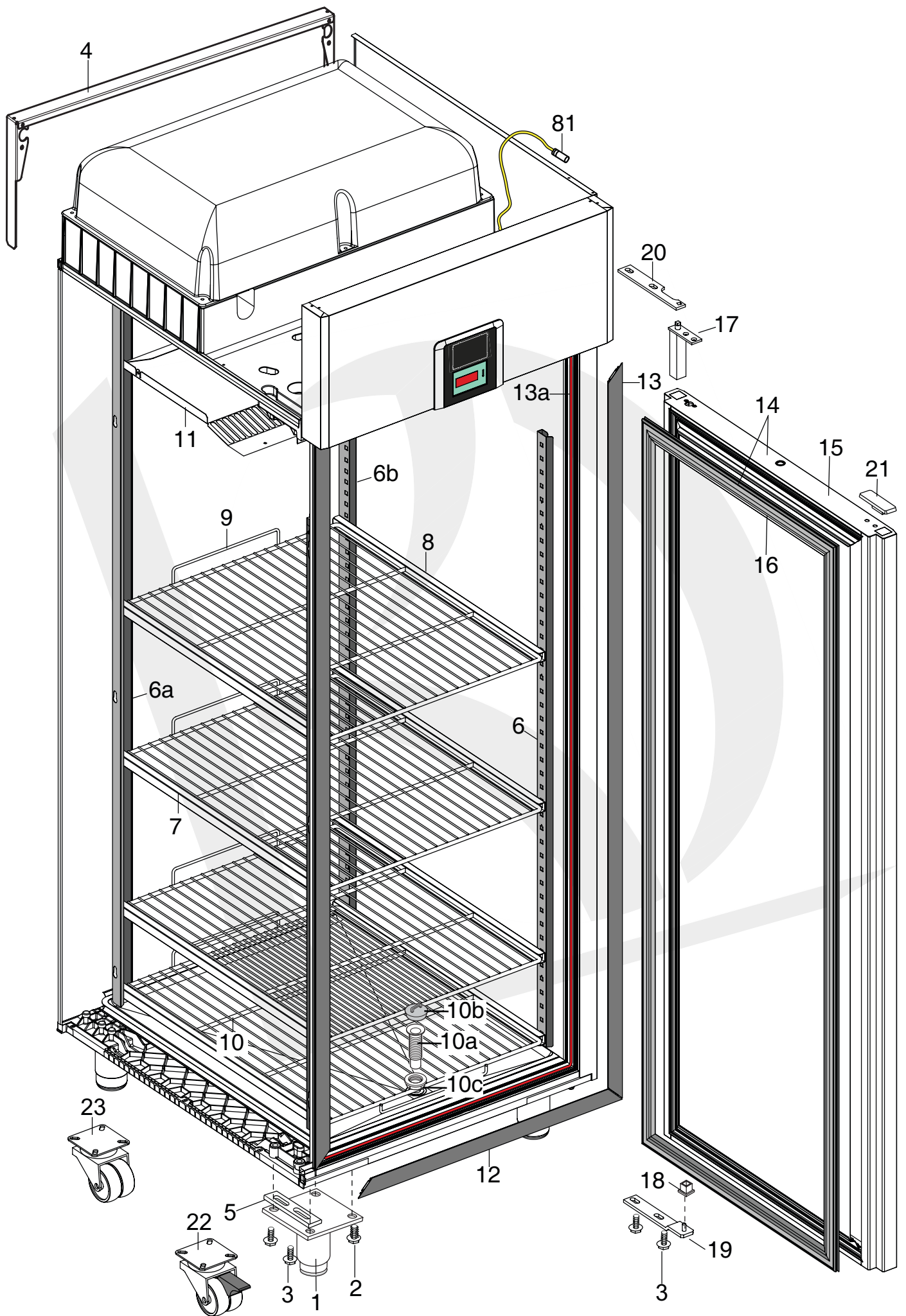
CABINETS PREMIUM R290

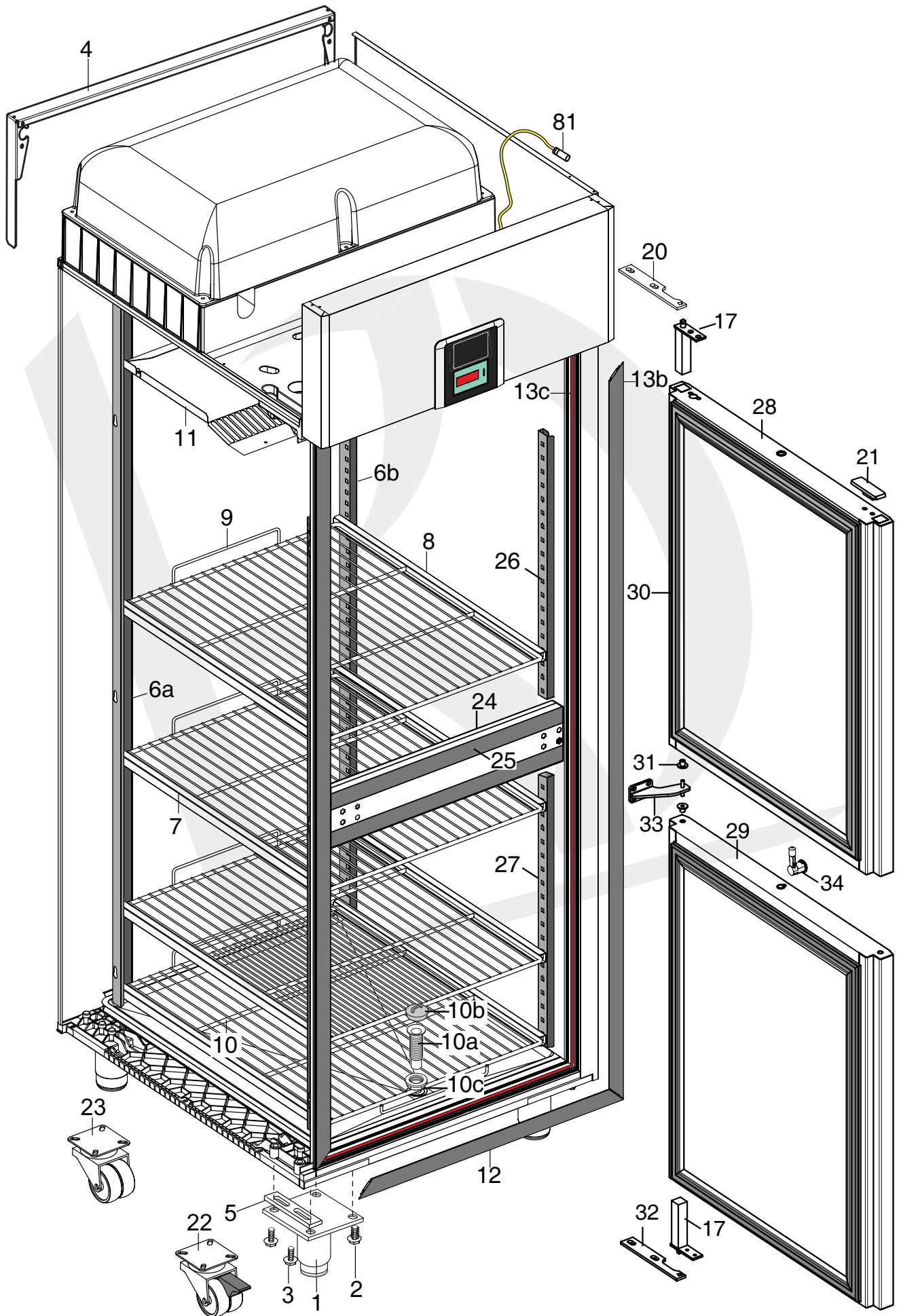
PNC	Avv. Model		Ref.	Page
727310	00/04	FV 1M PREMIUM ELUX 304/304 DIG. -2/+10 R290 RGT	a	2, 5, 6
728683	00/04	FV 1M PREMIUM ELUX 304/304 DIG. -2/+10 R290 NCAP	b	2, 5, 6
727381	00/04	FV 1M PREMIUM ELUX 304/304 DIG. -2/+10 R290 UK	c	2, 5, 6
727311	00/04	FV 1M PREMIUM ELUX 304/304 DIG. -2/+10 R290 LFT	a	2, 5, 6
727312	00/05	FV 1M PV PREMIUM R290 ELUX 304/304 DIG. +2/+10	d	4, 5, 6
728684	00/05	FV 1M PV PREMIUM R290 ELUX 304/304 DIG. +2/+10 NCAP	e	4, 5, 6
727382	00/05	FV 1M PV PREMIUM R290 ELUX 304/304 DIG. +2/+10 UK	f	4, 5, 6
727313	00/05	FV 1M 2 1/2 PORTE TN -2/+10 R290 PREMIUM ELUX	g	3, 5, 6
728685	00/05	FV 1M 2 1/2 PORTE TN -2/+10 R290 PREMIUM ALPEN NCAP	h	3, 5, 6
727383	00/05	FV 1M 2 1/2 PORTE TN -2/+10 R290 PREMIUM ELUX UK	i	3, 5, 6
727456	00/05	FV 1M PREMIUM -2/+10 R290 ELUX MC DONALDS	l	2, 5, 6
728732	00/01	FV 1M PREMIUM ALPEN 304/304 DIG. -2/+10 R290 UK	m	2, 5, 6
728733	00/01	FV 1M PV PREMIUM R290 ELUX 304/304 DIG. +2/+10 UK	n	4, 5, 6
728734	00/01	FV 1M 2 1/2 PORTE TN -2/+10 R290 PREMIUM ALPEN UK	o	3, 5, 6

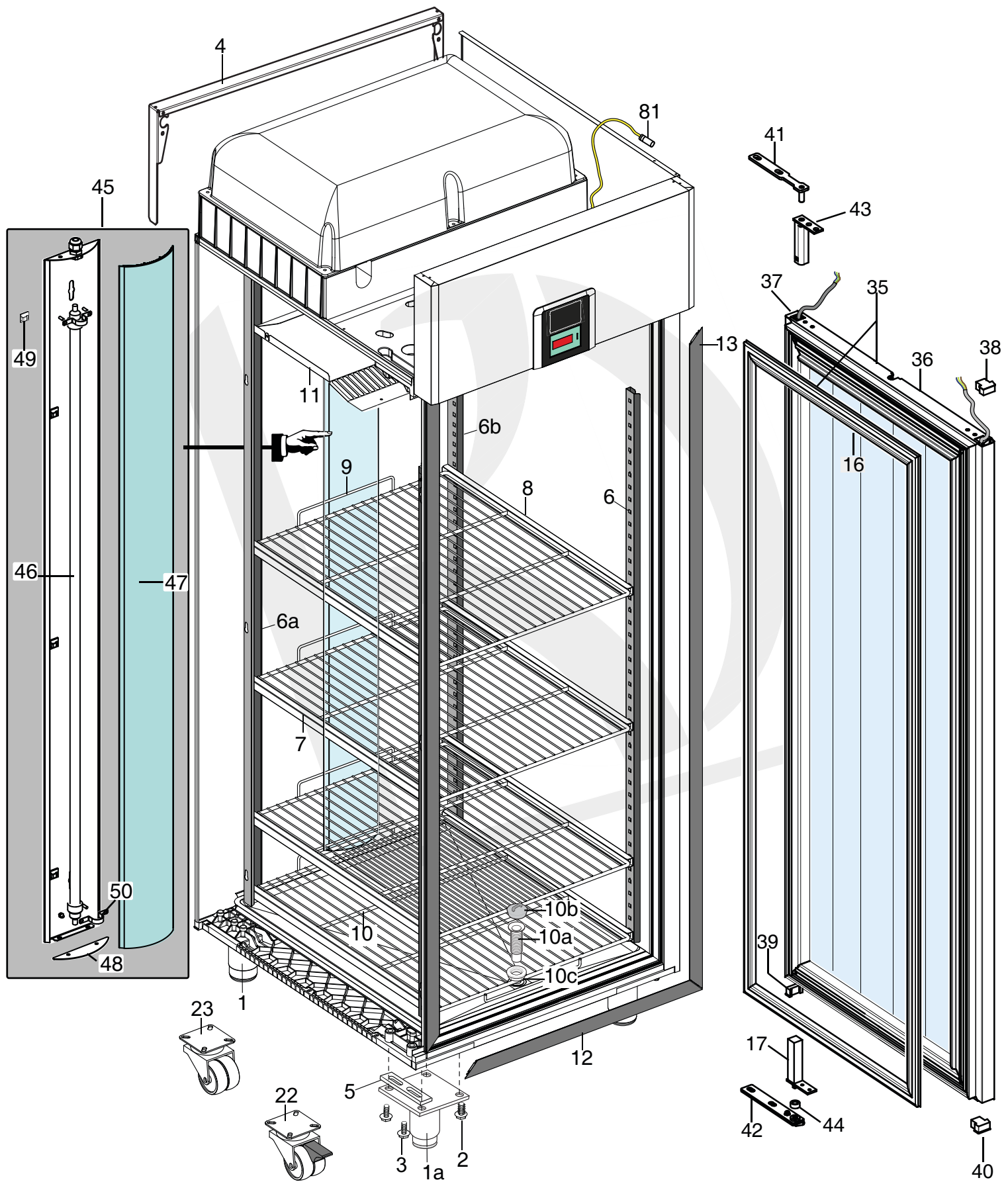
Note: per la corretta identificazione dei componenti, attenersi esclusivamente alle pagine indicate e alla lettera di riferimento.

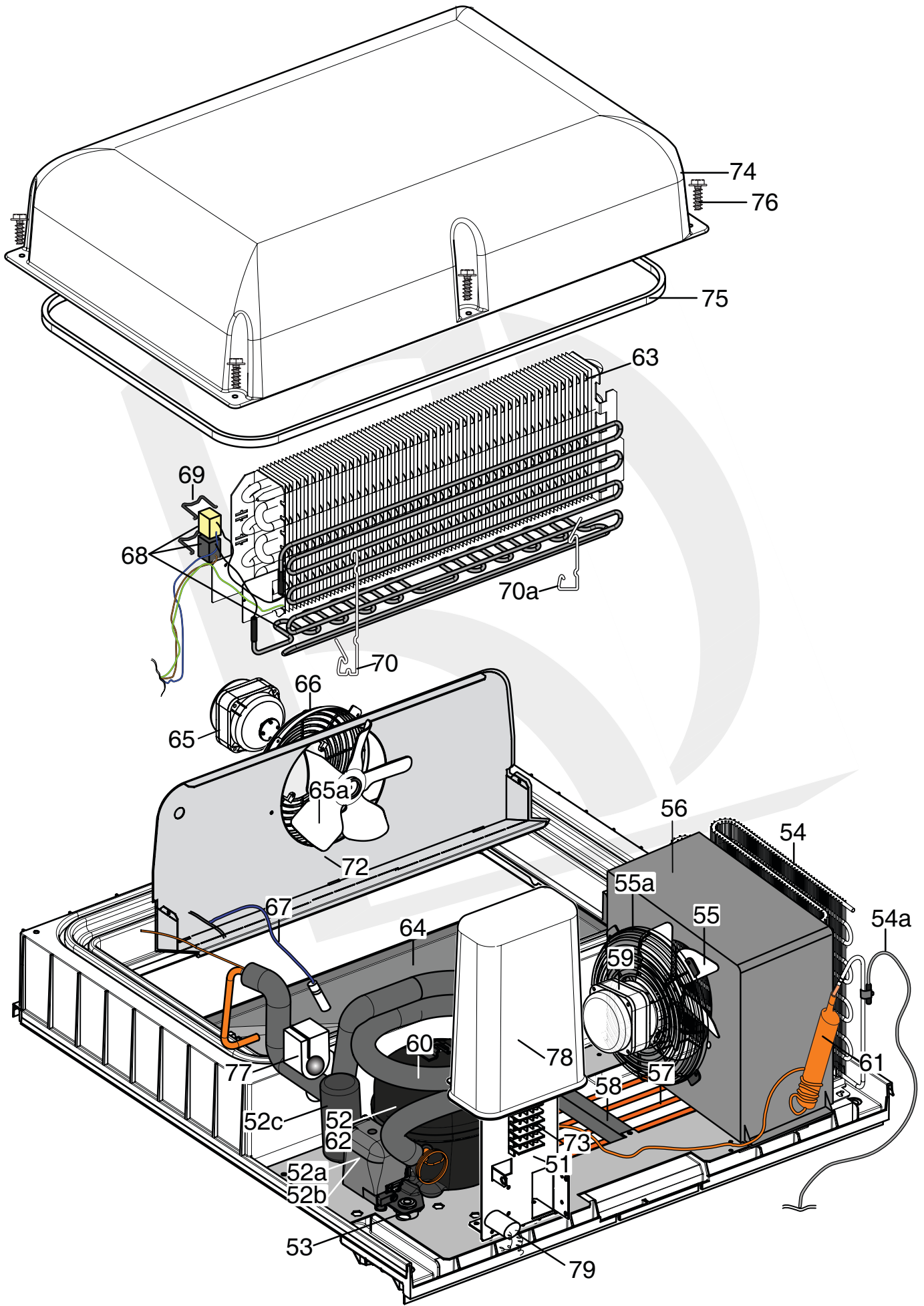
Note: for the correct identification of the components, follow the indicated pages and the reference letter

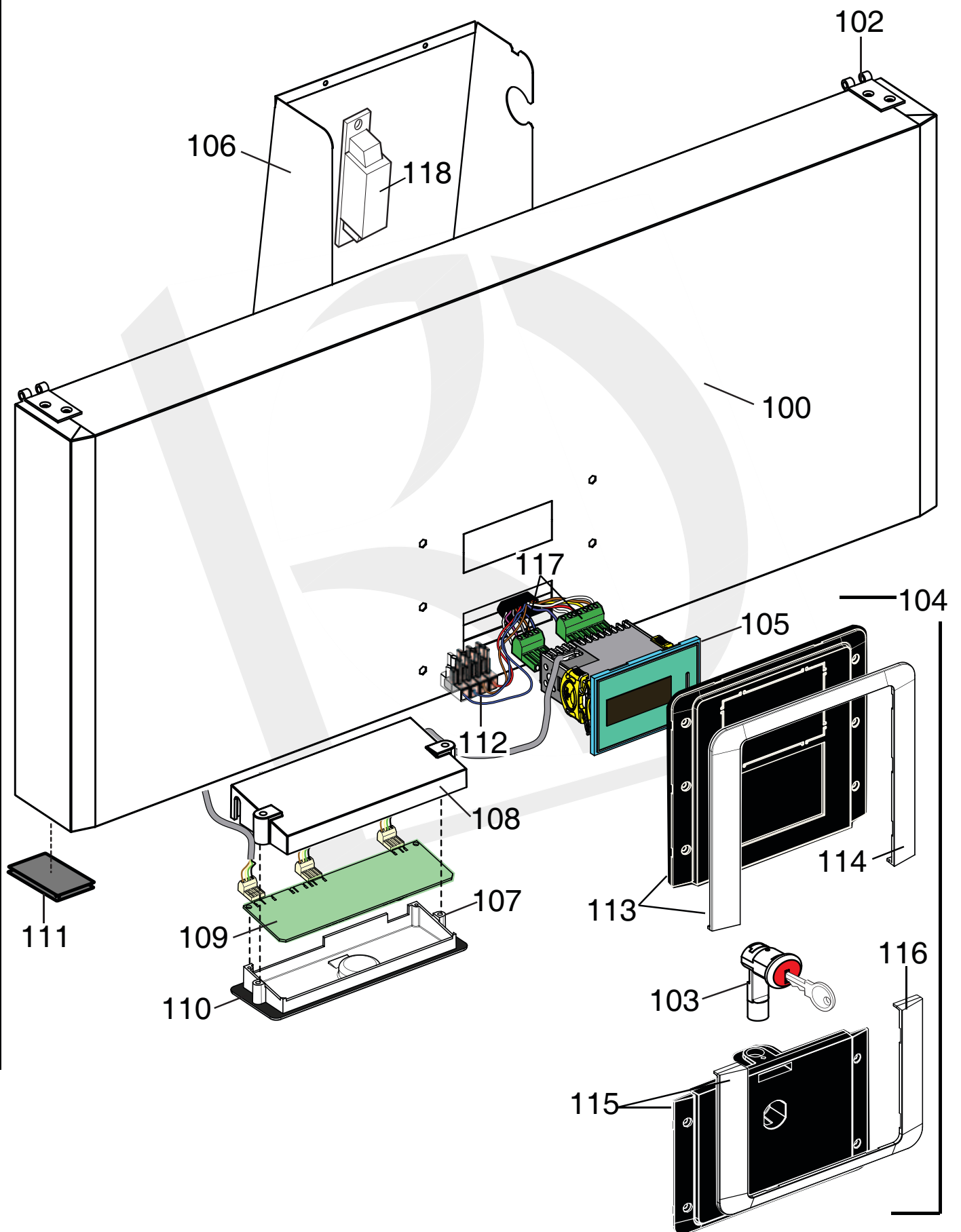
	Index	Indice
Pag. 2,3,4	Cabinet and door	Armadio e porta
5	Cooling unit assembly	Gruppo refrigerante
6	Control panel	Pannello comandi
7,8,9,10	Spare parts list	Lista ricambi











PNC	Ref.	PNC	Ref.	PNC	Ref.	PNC	Ref.	PNC	Ref.	PNC	Ref.	PNC	Ref.
727310	a	727311	a	728683	b	727381	c	727312	d	728684	e	727382	f
727313	g	728685	h	727383	i	727456	l	728732	m	728733	n	728734	o

Pos	Spare parts code	Factory code	Descrizione	Description	Ref - Note
1	93243	541R05001	Piedino	Foot	
1a	93244	518R02600	Piedino anteriore porta vetro	Back foot glass door	
2	93245	217555204	Vite per plastica per piedino	Screw (use by fix foot)z	
3	93246	518708601	Vite M8x20 per fiss. staffa sup/inf	Screw M8X20 (use by fix bracket)	
4	93247	502R17400	Staffa supporto fianchi	Side support (upper)	
5	93248	546R22800	Distanziale per piede	Foot spacer	
6	93355	501R36201	Cremagliera anteriore	Front Rack	
6a	93356	501R48300	Cremagliera posteriore dx 304	Right back rack	
6b	93357	501R36101	Cremagliera posteriore sx 304	Left back rack	
7	93358	501R48000	Guida Sx	Left support	
8	93359	501R48200	Guida Dx	Right support	
9	93252	514R10600	Griglia 2/1 rilsan	Grid 2/1rilsan	a,c,d,f,g,i,l,m,n,o
9	93360	514R10700	Griglia 2/1 aisi 304	Grid 2/1 aisi 304	b,e,h
10	93253	514R12200	Griglia di fondo rilsan	Bottom grid rilsan	a,d,f,g,i,c,l,m,n,o
10	93296	514R12100	Griglia di fondo aisi 304	Bottom grid aisi 304	b,e,h
10a	093714	546R26000	Piletta	Drain pipe	
10b	85535	545733700	Tappo	Plug	
10c	81797	544701400	Dado per piletta	Nut pipe	
11	93460	501R56000	Carter interno 304	Internal protection aisi 304	
12	93254	832R09001	Cornice orrizzontale	Orrizzontal frame	
13	93255	832R09101	Cornice verticale	Vertical frame	
13b	93256	832R09300	Cornice verticale 1/2 porte	Vertical frame 1/2 doors	
13a	93361	617R07100	Cavo riscaldante cornice 8,9 W	Heating cable frame 8,9 W	
13c	93362	617R07300	Cavo riscaldante cornice 1/2 porte	Heating cable frame half doors	
14	93478	835R27201	Porta con guarnizione aisi 304	Gasket and door	
15	93477	835R27601	Porta aisi 304	Door	a,b,c,l,m
16	93257	548R06802	Guarnizione porta pv/pc	Gasket door (gl/fl)	a,b,c,d,f,l,m
17	82219	835704001	Cerniera porta	Hinge door	
18	81654	544700601	Boccola per porta	Door bush	
19	93341	833R21600	Staffa inferiore porta	Lower stirrup door	
20	82257	505723802	Staffa superiore porta	Upper stirrup door	a,b,c,g,l,m
21	93271	541R05300	Tappo per cerniere	Hole hinge plug	
22	93575	835R24900	Ruota rotante con freno	Brake weel	f,i,c,m,n,o
23	93574	835R24800	Ruota rotante	Weel	f,i,c,m,n,o
22	87110	835739900	Ruota rotante con freno	Brake weel	l

PNC	Ref.	PNC	Ref.	PNC	Ref.	PNC	Ref.	PNC	Ref.	PNC	Ref.	PNC	Ref.
727310	a	727311	a	728683	b	727381	c	727312	d	728684	e	727382	f
727313	g	728685	h	727383	i	727456	l	728732	m	728733	n	728734	o

Pos	Spare parts code	Factory code	Descrizione	Description	Ref - Note
23	87111	835740000	Ruota rotante	Weel	l
24	93342	880R64100	Traversa per 1/2 porte a304	Support half door a304	
25	93272	832R10000	Cornice per traversa	Support half door frame	
26	93363	501R51700	Cremagliera ant. 1/2 porte sup.	Upper rack 1/2 doors a304	
27	93364	501R46100	Cremagliera ant. 1/2 porte 304 inf.	Lower rack 1/2 doors a304	
28	93546	835R26303	Ass.1/2 porta superiore a304	Upper half door a304	
29	93519	835R25502	Ass.1/2 porta inferiore a304	Lower half door a304	
30	93273	548R07101	Guarnizione magnetica 1/2 porte	Half door gasket	
31	93392	546R21100	Boccola per cerniera 1/2 porte	Half door bush	
32	93301	833R21900	Ass. staffa inf.(reversibile) pv-1\2p	Lower bracket (reversible)	
33	93344	505R12400	Cerniera centrale	Central hinge door	
34	93433	833R21100	Serratura	Serratura	
35	93522	880R57101	Ass. porta vetro con cerniere prem.	Glass door assembly complete prem.	
36	93461	879R15700	Porta vetro premium	Glass door	
37	93535	546R22400	Tappo sup. dx pv	Upper right plug door GL	
38	93536	546R22300	Tappo sup. sx pv	Upper left plug door GL	
39	93537	546R22500	Tappo inf. dx pv	Lower right plug door GL	
40	93538	546R22200	Tappo inf. sx pv	Lower left plug door GL	
41	93349	505R12700	Staffa superiore pv	Upper hinge GL	
42	93301	833R21900	Ass. staffa inf.(reversibile) pv-1\2p	Lower bracket (reversible)	
43	93320	835R28100	Ass cerniera sup pv	Upper hinge GL	
44	93517	546R23100	Boccola per cerniera PV	Hinge bush GL	
45	93303	880R60701	Ass. porta lampada completo	Light support assembly	
46	93350	661R01000	Lampada 28W	Neon 28W	
47	93258	546R22600	Frontale lampada	Protection light	
48	93351	501R49500	Tappo chiusura luce	Plug of clousure	
49	93352	546R23200	Ferma cavo	Wiring stopper	
50	93321	501R50200	Fermo lampada	Stopper light	
			mod. gruppo 1 modulo	condensing unit	
51	93332	501R41503	Supporto impianto elettrico	Electrical wiring support	
52	93425	684R05700	Compressore (EMT6144U) 220/50 hz	Compressor (EMT6144U) 220/50hz	
52a	*	*	Relè avviamento	Start relay (EMT6144U)	
52b	*	*	Protettore	Protector (EMT6144U)	
52c	*	*	Condensatore di avviamento	Start capacitor (EMT6144U)	
53	87122	518708401	Gommino per compressore	Rubber compressor	
54	93346	830R06500	Condensatore	Condenser	
54A	92360	646R09400	Sonda condensatore	Probe condenser	
55	89697	511708800	Ventola 230-31 (elco)	Ventola 230-31(elco)	
55a	89755	546709500	Protezione ventola	Fan protection	
56	93602	546R24200	Supporto motore condensatore	Fan condenser support	

PNC	Ref.	PNC	Ref.	PNC	Ref.	PNC	Ref.	PNC	Ref.	PNC	Ref.	PNC	Ref.
727310	a	727311	a	728683	b	727381	c	727312	d	728684	e	727382	f
727313	g	728685	h	727383	i	727456	l	728732	m	728733	n	728734	o

Pos	Spare parts code	Factory code	Descrizione	Description	Ref - Note
57	93259	515R12700	Serpentina evap. acqua di condensa	Evaporation water pipe	
58	93260	543R09300	Fissaggio serpentina	Stopper pipe	
59	93334	682R05300	Ventilatore condensatore (elco)	Condenser ventiator (elco)	
60	*	858R06900	Scambiatore	Heat exchanger	
61	99949	858R00100	Filtro	Dehidrator filter	
62	0A8171	A02021800	Valvola per compressore	Compressor valve (charge or disch.)	
63	93323	830R03901	Evaporatore 2R 8T	Evaporator 2R 8T	
64	93469	546R19201	Vaschetta evaporatore	Evaporator tray	
65	93367	682R05800	Ventilatore evaporatore (ebm)	Evaporator fan (ebm)	
65a	84920	511705100	Ventola 200-25	Fan 200	
66	89770	546709600	Griglia evap. P200	Fan protection	
67	92174	646R06800	Sonda cella 2000	Cell probe	a,b,d,e
67	92173	646R06700	Sonda cella 1500	Cell probe	c,f,g,h,i,l,m,n,o
68	93327	617R06101	Resistenza con termostati 2R	Heating element with thermostat	i,a,b,c,g,h,l,m,o
69	93487	514R11601	Molla per fissaggio termostati	Thermostat spring	i,a,b,c,g,h,l,m,o
70	93368	514R10801	Molla per fissaggio resistenza 2R	Heating element spring 2R	i,a,b,c,g,h,l,m,o
70a	93353	514R12000	Molla per fissaggio resistenza 83,5	Heating element spring 83,5	i,a,b,c,g,h,l,m,o
72	93370	501R43901	Convogliatore evaporatore P.200	Evaporator conveyor A304	
73	93528	639R09900	Morsettiera	Clamp	
74	93261	835R24101	Assieme Calotta	Evaporator cover	
75	93262	14701R003	Neoprene espanso 8x13,3 nero (M4)	Gasket cover (neoprene 8x13,3)	
76	93245	217555204	Vite senza punta x plastica	Cover screw	
77	93263	546R19702	Tamponcino per tubi	Pipe cover insulation	
78	93264	541R04801	Copertura impianto elettrico	Wiring cover	
79	92257	694R00501	Filtro antidisturbo	Electrical filter	
81	93371	646R10900	Sonda ambiente	Ambient probe	
99	93591	880R51905	Cruscotto senza mascherina A304	Panel without template A304	a,b,c,g,h,i,l,m,o
99	93584	880R61105	Cruscotto senza masch. aisi 304 PV	Panel without template aisi 304 GL	d,e,f,n
100	93525	509R13403	Cruscotto comandi	Panel 304 AISI	
102	093609	832R10100	Cerniera per cruscotto dx	Hinge for panel right	
102a	093610	832R10200	Cerniera per cruscotto sx	Hinge for panel left	
103	93345	833R20900	Serratura	Latch	
104	93380	855R10800	Ass.macherina porta/cruscotto elux	Complete template door and panel	a,c,g,i,l
104	93382	855R11000	Ass.macherina porta/cruscotto alp	Complete template door and panel	b,h,m,o
104	93383	855R11100	Ass.macherina porta/cruscotto pv E	Complete template door and panel	d,f
104	93385	855R11300	Ass.macherina porta/cruscotto pv A	Complete template door and panel	e,n
105	93437	646R10601	Termoregolatore ir33 premium pc	Thermoregulator premium	To be setted
106	93295	501R37401	Protezione	Protection led-lamp	
107	93386	546R19501	Supporto scheda led	Support led-lamp	
108	93387	546R19600	Protezione scheda led	Protection led-lamp	

PNC	Ref.	PNC	Ref.	PNC	Ref.	PNC	Ref.	PNC	Ref.	PNC	Ref.	PNC	Ref.
727310	a	727311	a	728683	b	727381	c	727312	d	728684	e	727382	f
727313	g	728685	h	727383	i	727456	l	728732	m	728733	n	728734	o

Pos	Spare parts code	Factory code	Descrizione	Description	Ref - Note
109	93388	648R05500	Scheda led depotenziata	Led-lamp board	
110	93390	569R05900	Guarnizione per cheda led	Ledlamp board gasket	
111	93269	541R05400	Tappo per cerniera porta	Door hinge plug	
112	93391	639R10400	Morsetto	Clamp	
113	*	855R09900	Ass. mascherina cruscotto elux	Assembled template panel elux	a,c,g,i,l
113	*	855R10100	Ass. mascherina cruscotto apx	Assembled template panel apx	b,h,m,o
113	*	855R10200	Ass. mascherina cruscotto pv e	Assembled template panel gl e	d,f
113	*	855R10400	Ass. mascherina cruscotto pv A	Assembled template panel gl A	e,n
114	*	546R20000	Cornice mascherina cruscotto	Template frame for panel	a,c,d,f,g,i,l
114	*	546R20100	Cornice mascherina cruscotto	Template frame for panel	b,h,e,m,n,o
115	*	855R10500	Ass. mascherina porta elux	Assembled template door elux	a,c,d,f,g,i,l
115	*	855R10700	Ass. mascherina porta apx	Assembled template door apx	b,e,h,m,n,o
116	*	546R20200	Cornice mascherina porta elux	Control door frame elux	a,c,d,f,g,i,l
116	*	546R20300	Cornice mascherina porta	Control door frame	b,h,e,m,n,o
*	93491	217541085	Vite per fissaggio mascherina M3x8	Screws M3X8 for control door/panel	
117	*	639R06800	Connettore dritto 3 vie	Connector 3 ways right	
117	*	639R06900	Connettore dritto 7 vie	Connector 7 ways right	
117	99740	*	Connettore 90° 7 vie	Connector 7 ways 90°	
117	99741	*	Connettore 90° 5 vie	Connector 5 ways 90°	
117	88998	*	Connettore 90° 3 vie	Connector 3 ways 90°	
117	99743	*	Connettore 90° 3 vie piccolo	Connector 3 ways 90° small	
117	99742	*	Connettore 90° 2 vie	Connector 2 ways 90°	
117	91682	*	Connettore 90° 4 vie	Connector 4 ways 90°	
117	91684	*	Connettore 90° 5 vie	Connector 5 ways 90°	
*	93180	639R09600	Convertitore spina UK	UK plug converter	c,f,i,m,n,o
118	93270	624R01400	Alimentatore	Light power	d,e,f