



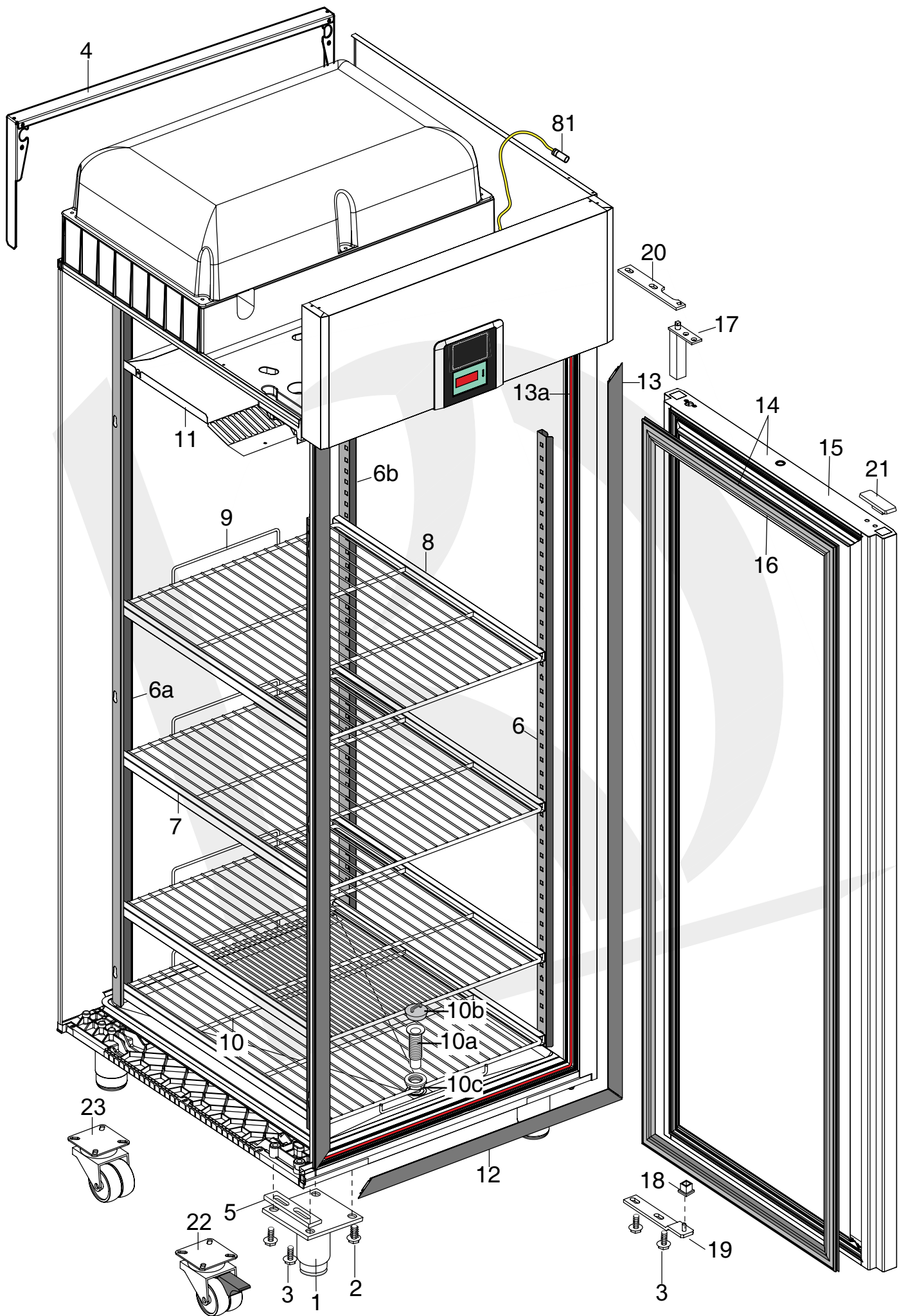
CABINETS PREMIUM R290

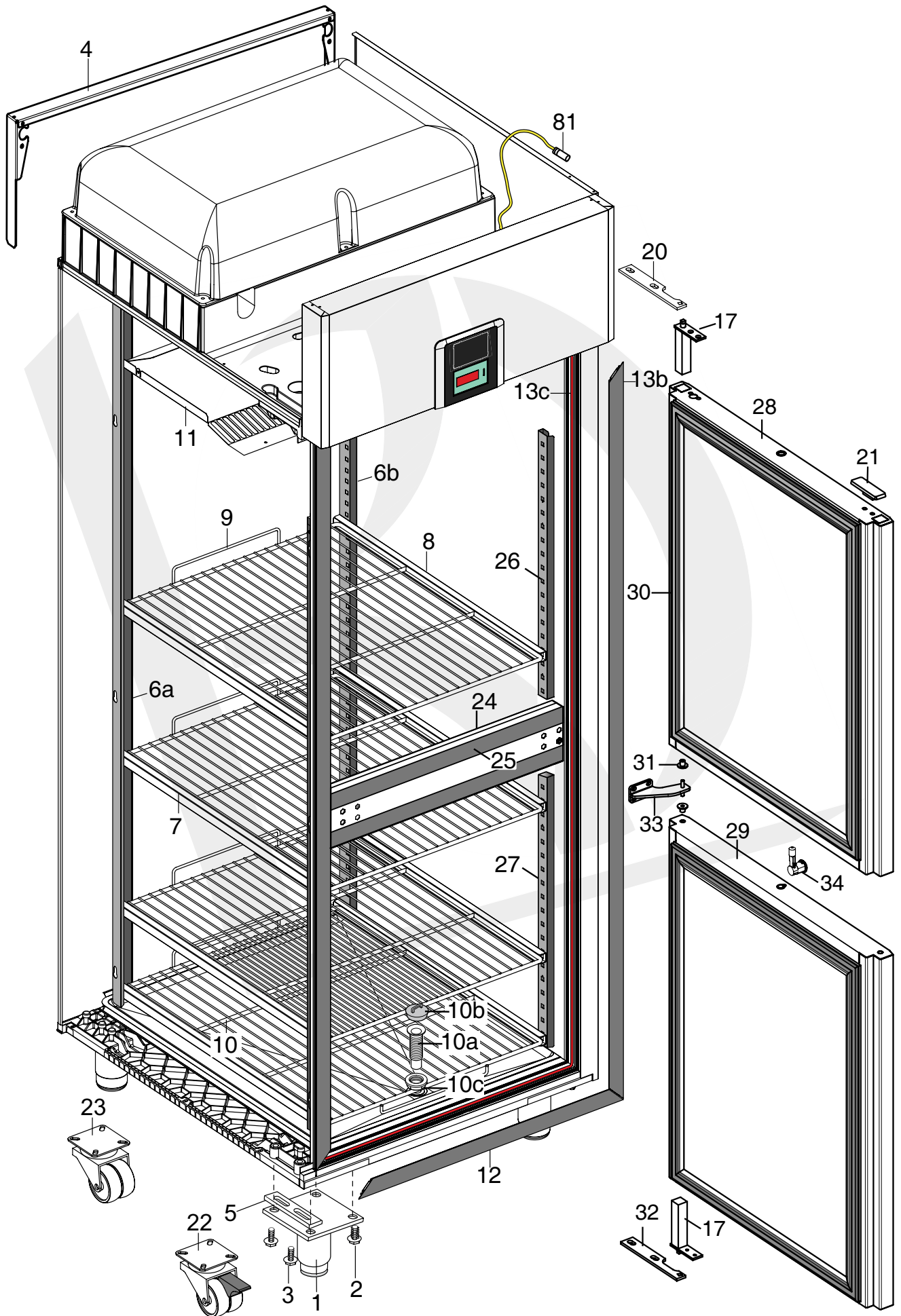
PNC	Avv. Model		Ref.	Page
727310	04/07	FV 1M PREMIUM ELUX 304/304 DIG. -2/+10 R290 RGT	a	2, 5, 6
727311	04/07	FV 1M PREMIUM ELUX 304/304 DIG. -2/+10 R290 LFT	a	2, 5, 6
727312	05/08	FV 1M PV PREMIUM R290 ELUX 304/304 DIG. +2/+10	d	4, 5, 6
727313	05/09	FV 1M 2 1/2 PORTE TN -2/+10 R290 PREMIUM ELUX	g	3, 5, 6
727381	04/07	FV 1M PREMIUM ELUX 304/304 DIG. -2/+10 R290 UK	c	2, 5, 6
727382	05/08	FV 1M PV PREMIUM R290 ELUX 304/304 DIG. +2/+10 UK	f	4, 5, 6
727383	05/09	FV 1M 2 1/2 PORTE TN -2/+10 R290 PREMIUM ELUX UK	i	3, 5, 6
727456	00/05	FV 1M PREMIUM -2/+10 R290 ELUX MC DONALDS	l	2, 5, 6
728683	04/07	FV 1M PREMIUM ELUX 304/304 DIG. -2/+10 R290 NCAP	b	2, 5, 6
728684	05/08	FV 1M PV PREMIUM R290 ELUX 304/304 DIG. +2/+10 NCAP	e	4, 5, 6
728685	05/09	FV 1M 2 1/2 PORTE TN -2/+10 R290 PREMIUM ALPEN NCAP	h	3, 5, 6
728732	01/03	FV 1M PREMIUM ALPEN 304/304 DIG. -2/+10 R290 UK	m	2, 5, 6
728733	01/03	FV 1M PV PREMIUM R290 ELUX 304/304 DIG. +2/+10 UK	n	4, 5, 6
728734	01/04	FV 1M 2 1/2 PORTE TN -2/+10 R290 PREMIUM ALPEN UK	o	3, 5, 6

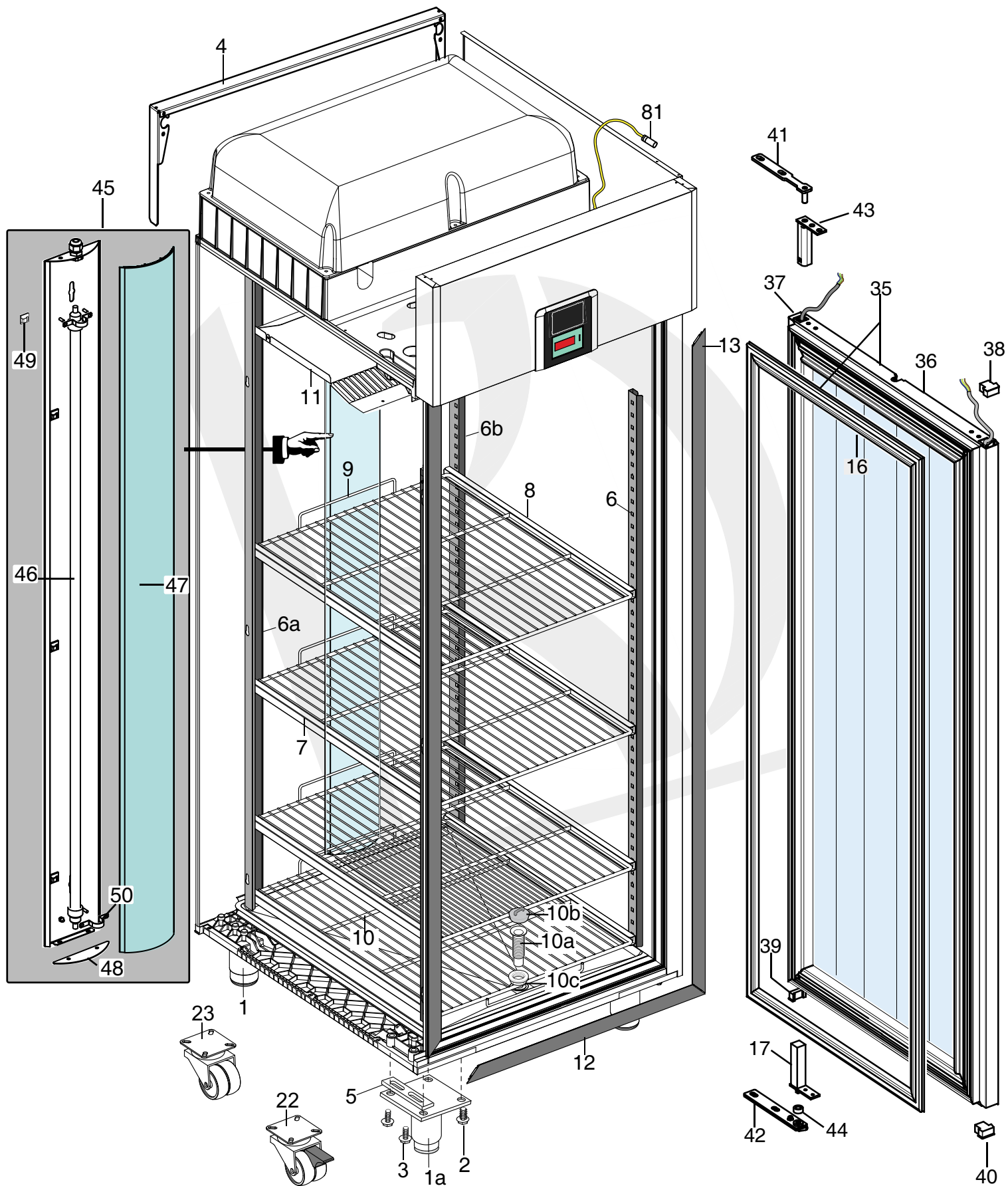
Note: per la corretta identificazione dei componenti, attenersi esclusivamente alle pagine indicate e alla lettera di riferimento.

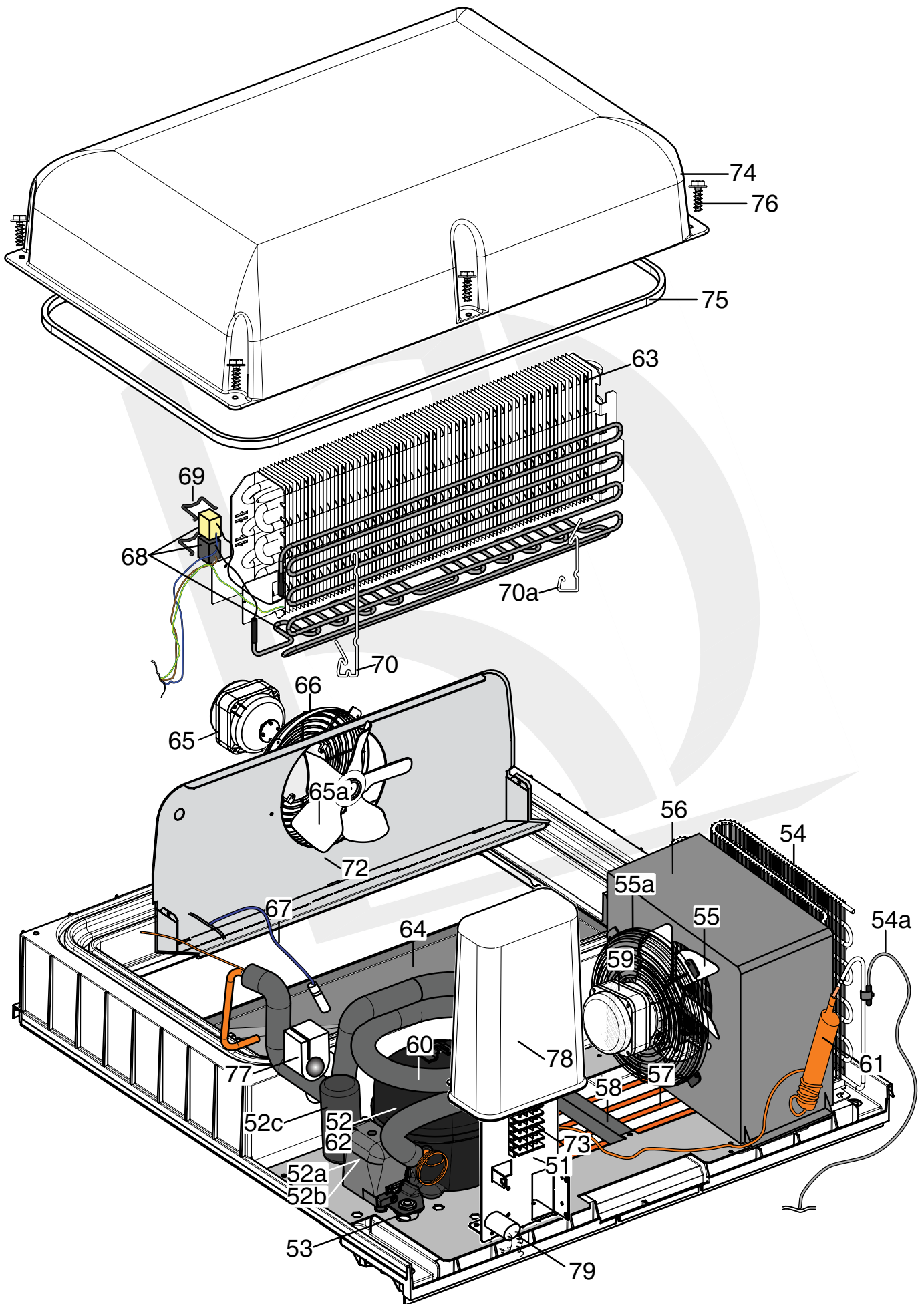
Note: for the correct identification of the components, follow the indicated pages and the reference letter

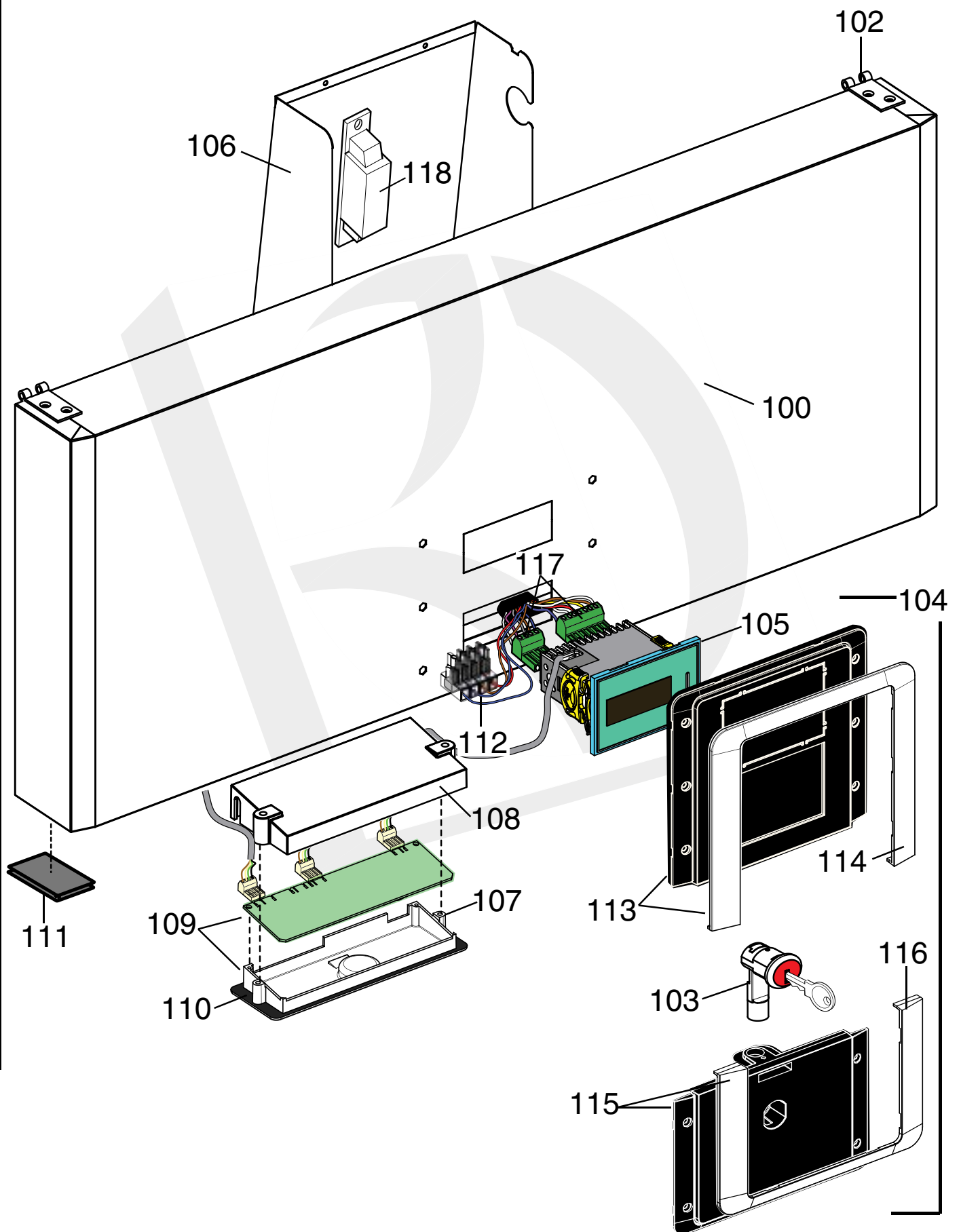
	Index	Indice
Pag. 2,3,4	Cabinet and door	Armadio e porta
5	Cooling unit assembly	Gruppo refrigerante
6	Control panel	Pannello comandi
7,8,9,10	Spare parts list	Lista ricambi











PNC	Ref.	PNC	Ref.	PNC	Ref.	PNC	Ref.	PNC	Ref.	PNC	Ref.	PNC	Ref.
727310	a	727311	a	728683	b	727381	c	727312	d	728684	e	727382	f
727313	g	728685	h	727383	i	727456	l	728732	m	728733	n	728734	o

Pos	Spare parts code	Factory code	Descrizione	Description	Ref - Note
1	093243	541R05001	Piedino	Foot	
1a	093244	518R02600	Piedino anteriore porta vetro	Back foot glass door	
2	093245	217555204	Vite per plastica per piedino	Screw (use by fix foot)z	
3	093246	518708601	Vite M8x20 per fiss. staffa sup/inf	Screw M8X20 (use by fix bracket)	
4	093247	502R17400	Staffa supporto fianchi	Side support (upper)	
5	093248	546R22800	Distanziale per piede	Foot spacer	
6	093355	501R36201	Cremagliera anteriore	Front Rack	
6a	093356	501R48300	Cremagliera posteriore dx 304	Right back rack	
6b	093357	501R36101	Cremagliera posteriore sx 304	Left back rack	
7	093358	501R48000	Guida Sx	Left support	
8	093359	501R48200	Guida Dx	Right support	
9	093252	514R10600	Griglia 2/1 rilsan	Grid 2/1 rilsan	a,c,d,f,g,i,l,m,n,o
9	093360	514R10700	Griglia 2/1 aisi 304	Grid 2/1 aisi 304	b,e,h
10	093253	514R12200	Griglia di fondo rilsan	Bottom grid rilsan	a,d,f,g,i,c,l,m,n,o
10	093296	514R12100	Griglia di fondo aisi 304	Bottom grid aisi 304	b,e,h
10a	093714	548R26000	Piletta	Drain pipe	
10b	085535	545733700	Tappo	Plug	
10c	081797	544701400	Dado per piletta	Nut pipe	
11	093460	501R56000	Carter interno 304	Internal protection aisi 304	
12	093254	832R09001	Cornice orrizzontale	Orrizzontal frame	
13	093255	832R09101	Cornice verticale	Vertical frame	
13b	093256	832R09300	Cornice verticale 1/2 porte	Vertical frame 1/2 doors	
13a	093361	617R07100	Cavo riscaldante cornice 8,9 W	Heating cable frame 8,9 W	
13c	093362	617R07300	Cavo riscaldante cornice 1/2 porte	Heating cable frame half doors	
14	093478	835R27201	Porta con guarnizione aisi 304	Gasket and door	
15	093477	835R27601	Porta aisi 304	Door	a,b,c,l,m
16	093257	548R06802	Guarnizione porta pv/pc	Gasket door (gl/fl)	a,b,c,d,f,l,m
17	082219	835704001	Cerniera porta	Hinge door	
18	081654	544700601	Boccola per porta	Door bush	
19	093341	833R21600	Staffa inferiore porta	Lower stirrup door	
20	082257	505723802	Staffa superiore porta	Upper stirrup door	a,b,c,g,l,m
21	093271	541R05300	Tappo per cerniere	Hole hinge plug	
22	093575	835R24900	Ruota rotante con freno	Brake weel	f,i,c,m,n,o
23	093574	835R24800	Ruota rotante	Weel	f,i,c,m,n,o
22	087110	835739900	Ruota rotante con freno	Brake weel	l

PNC	Ref.	PNC	Ref.	PNC	Ref.	PNC	Ref.	PNC	Ref.	PNC	Ref.	PNC	Ref.
727310	a	727311	a	728683	b	727381	c	727312	d	728684	e	727382	f
727313	g	728685	h	727383	i	727456	l	728732	m	728733	n	728734	o

Pos	Spare parts code	Factory code	Descrizione	Description	Ref - Note
23	087111	835740000	Ruota rotante	Weel	l
24	093342	880R64100	Traversa per 1/2 porte a304	Support half door a304	
25	093272	832R10000	Cornice per traversa	Support half door frame	
26	093363	501R51700	Cremagliera ant. 1/2 porte sup.	Upper rack 1/2 doors a304	
27	093364	501R46100	Cremagliera ant. 1/2 porte 304 inf.	Lower rack 1/2 doors a304	
28	093546	835R26303	Ass.1/2 porta superiore a304	Upper half door a304	
29	093519	835R25502	Ass.1/2 porta inferiore a304	Lower half door a304	
30	093273	548R07101	Guarnizione magnetica 1/2 porte	Half door gasket	
31	093392	546R21100	Boccola per cerniera 1/2 porte	Half door bush	
32	093301	833R21900	Ass. staffa inf.(reversibile) pv-1\2p	Lower bracket (reversible)	
33	093344	505R12400	Cerniera centrale	Central hinge door	
34	093433	833R21100	Serratura	Serratura	
35	093522	880R57101	Ass. porta vetro con cerniere prem.	Glass door assembly complete prem.	
36	093461	879R15700	Porta vetro premium	Glass door	
37	093535	546R22400	Tappo sup. dx pv	Upper right plug door GL	
38	093536	546R22300	Tappo sup. sx pv	Upper left plug door GL	
39	093537	546R22500	Tappo inf. dx pv	Lower right plug door GL	
40	093538	546R22200	Tappo inf. sx pv	Lower left plug door GL	
41	093349	505R12700	Staffa superiore pv	Upper hinge GL	
42	093301	833R21900	Ass. staffa inf.(reversibile) pv-1\2p	Lower bracket (reversible)	
43	093320	835R28100	Ass cerniera sup pv	Upper hinge GL	
44	093517	546R23100	Boccola per cerniera PV	Hinge bush GL	
45	093303	880R60701	Ass. porta lampada completo	Light support assembly	d, e, f, n up to 2471...
45	094484	835R26801	Ass. porta lampada completo	Light support assembly	d, e, f, n from 2481...
46	093350	661R01000	Lampada 28W	Neon 28W	
47	093258	546R22600	Frontale lampada	Protection light	
48	093351	501R49500	Tappo chiusura luce	Plug of clousure	
49	093352	546R23200	Ferma cavo	Wiring stopper	
50	093321	501R50200	Fermo lampada	Stopper light	
			mod. gruppo 1 modulo	condensing unit	
51	093332	501R41503	Supporto impianto elettrico	Electrical wiring support	
52	093425	684R05700	Compressore (EMT6144U) 220/50 hz	Compressor (EMT6144U) 220/50hz	
52a	*	*	Relè avviamento	Start relay (EMT6144U)	
52b	*	*	Protettore	Protector (EMT6144U)	
52c	*	*	Condensatore di avviamento	Start capacitor (EMT6144U)	
53	087122	518708401	Gommino per compressore	Rubber compressor	
54	093346	830R06500	Condensatore	Condenser	
54A	092360	646R09400	Sonda condensatore	Probe condenser	
55	089697	511708800	Ventola 230-31 (elco)	Ventola 230-31(elco)	

PNC	Ref.	PNC	Ref.	PNC	Ref.	PNC	Ref.	PNC	Ref.	PNC	Ref.	PNC	Ref.
727310	a	727311	a	728683	b	727381	c	727312	d	728684	e	727382	f
727313	g	728685	h	727383	i	727456	l	728732	m	728733	n	728734	o

Pos	Spare parts code	Factory code	Descrizione	Description	Ref - Note
55a	089755	546709500	Protezione ventola	Fan protection	
56	093602	546R24200	Supporto motore condensatore	Fan condenser support	
57	093259	515R12700	Serpentina evap. acqua di condensa	Evaporation water pipe	
58	093260	543R09300	Fissaggio serpentina	Stopper pipe	
59	093334	682R05300	Ventilatore condensatore (elco)	Condenser ventialtor (elco)	
60	*	858R06900	Scambiatore	Heat exchanger	
61	099949	858R00100	Filtro	Dehidrator filter	
62	0A8171	A02021800	Valvola per copressore	Compressor valve (charge or disch.)	
63	093323	830R03901	Evaporatore 2R 8T	Evaporator 2R 8T	
64	093469	546R19201	Vaschetta evaporatore	Evaporator tray	
65	093367	682R05800	Ventilatore evaporatore (ebm)	Evaporator fan (ebm)	
65a	093783	511R01200	Ventola 200-25	Fan 200	
66	089770	546709600	Griglia evap. P200	Fan protection	
67	092174	646R06800	Sonda cella 2000	Cell probe	a,b,d,e
67	092173	646R06700	Sonda cella 1500	Cell probe	c,f,g,h,i,l,m,n,o
68	093327	617R06101	Resistenza con termostati 2R	Heating element with thermostat	i,a,b,c,g,h,l,m,o
69	093487	514R11601	Molla per fissaggio termostati	Thermostat spring	i,a,b,c,g,h,l,m,o
70	093368	514R10801	Molla per fissaggio resistenza 2R	Heating element spring 2R	i,a,b,c,g,h,l,m,o
70a	093353	514R12000	Molla per fissaggio resistenza 83,5	Heating element spring 83,5	i,a,b,c,g,h,l,m,o
72	093370	501R43901	Convogliatore evaporatore P.200	Evaporator conveyor A304	
73	093528	639R09900	Morsettiera	Clamp	
74	093261	835R24101	Assieme Calotta	Evaporator cover	Up to 6181
74	*	835R47601	Assieme Calotta	Evaporator cover	From 6191
75	093262	14701R003	Neoprene espanso 8x13,3 nero (M4)	Gasket cover (neoprene 8x13,3)	
76	093245	217555204	Vite senza punta x plastica	Cover screw	
77	093263	546R19702	Tamponcino per tubi	Pipe cover insulation	
78	093264	541R04801	Copertura impianto elettrico	Wiring cover	
79	092257	694R00501	Filtro antidisturbo	Electrical filter	
81	093371	646R10900	Sonda ambiente	Ambient probe	
99	093591	880R51905	Cruscotto senza mascherina A304	Panel without template A304	a,b,c,g,h,i,l,m,o
99	093584	880R61105	Cruscotto senza masch. aisi 304 PV	Panel without template aisi 304 GL	d,e,f,n
100	093525	509R13403	Cruscotto comandi	Panel 304 AISI	
102	093609	832R10100	Cerniera per cruscotto dx	Hinge for panel right	
102a	093610	832R10200	Cerniera per cruscotto sx	Hinge for panel left	
103	093345	833R20900	Serratura	Latch	
104	093380	855R10800	Ass.macherina porta/cruscotto elux	Complete template door and panel	a,c,g,i,l
104	093382	855R11000	Ass.macherina porta/cruscotto alp	Complete template door and panel	b,h,m,o
104	093383	855R11100	Ass.macherina porta/cruscotto pv E	Complete template door and panel	d,f
104	093385	855R11300	Ass.macherina porta/cruscotto pv A	Complete template door and panel	e,n
105	093437	646R10601	Termoregolatore ir33 premium pc	Thermoregulator premium	To be setted

