



Thermoregulator
refrigerator - 1M - full door

CABINETS PREMIUM R290

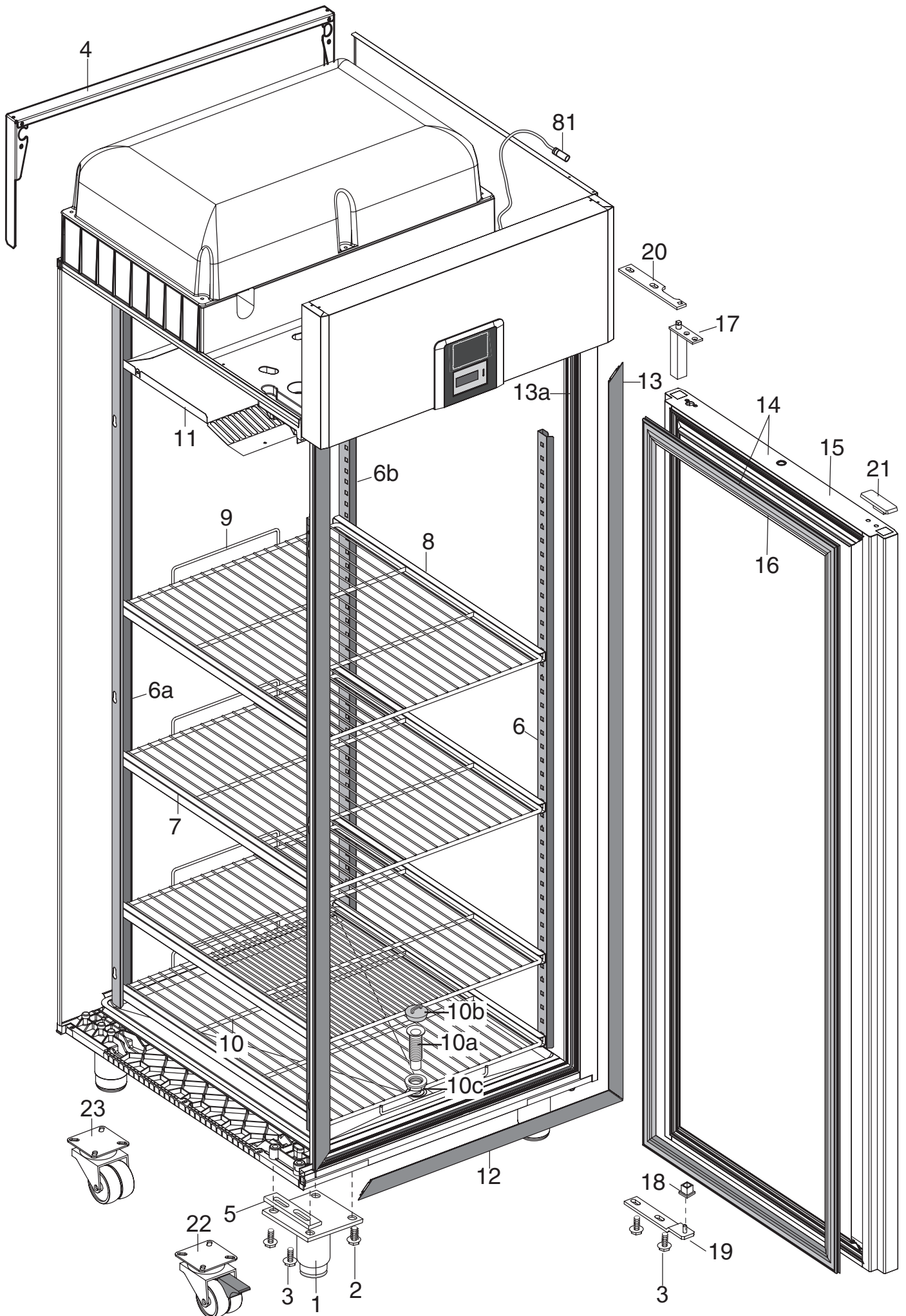
| PNC | En Ch. | Description | Brand | Ref. | Page |
|---------------|--------|--|----------------|----------|----------------|
| 727310 | 07/17 | FV 1M PREMIUM 304/304 DIG. -2/+10 R290 - RGT | ELUX | a | 2, 5, 6 |
| 727311 | 07/17 | FV 1M PREMIUM 304/304 DIG. -2/+10 R290 - LFT | ELUX | a | 2, 5, 6 |
| 727312 | 08/18 | FV 1M PV PREMIUM R290 304/304 DIG. +2/+10 | ELUX | d | 4, 5, 6 |
| 727313 | 09/19 | FV 1M 2 1/2 PORTE TN -2/+10 R290 PREMIUM | ELUX | g | 3, 5, 6 |
| 727381 | 07/18 | FV 1M PREMIUM 304/304 DIG. -2/+10 R290 UK | ELUX | c | 2, 5, 6 |
| 727382 | 08/19 | FV 1M PV PREMIUM R290 304/304 DIG. +2/+10 UK | ELUX | f | 4, 5, 6 |
| 727383 | 09/20 | FV 1M 2 1/2 PORTE TN -2/+10 R290 PREMIUM UK | ELUX | i | 3, 5, 6 |
| 727456 | 05/20 | FV 1M PREMIUM -2/+10 R290 MC DONALDS | ELUX | l | 2, 5, 6 |
| 728683 | 07/17 | FV 1M PREMIUM 304/304 DIG. -2/+10 R290 NCAP | ELUX | b | 2, 5, 6 |
| 728684 | 08/18 | FV 1M PV PREMIUM R290 304/304 DIG. +2/+10 NCAP | ELUX | e | 4, 5, 6 |
| 728685 | 09/19 | FV 1M 2 1/2 PORTE TN -2/+10 R290 PREMIUM NCAP | ALPEN | h | 3, 5, 6 |
| 728732 | 03/14 | FV 1M PREMIUM 304/304 DIG. -2/+10 R290 UK | ALPEN | m | 2, 5, 6 |
| 728733 | 03/14 | FV 1M PV PREMIUM R290 304/304 DIG. +2/+10 UK | ELUX | n | 4, 5, 6 |
| 728734 | 04/15 | FV 1M 2 1/2 PORTE TN -2/+10 R290 PREMIUM UK | ALPEN | o | 3, 5, 6 |
| 110154 | 00/01 | FV 1M PREMIUM R290 304/304 DIG. -2/+10 | ZANUSSI | p | 2, 5, 6 |

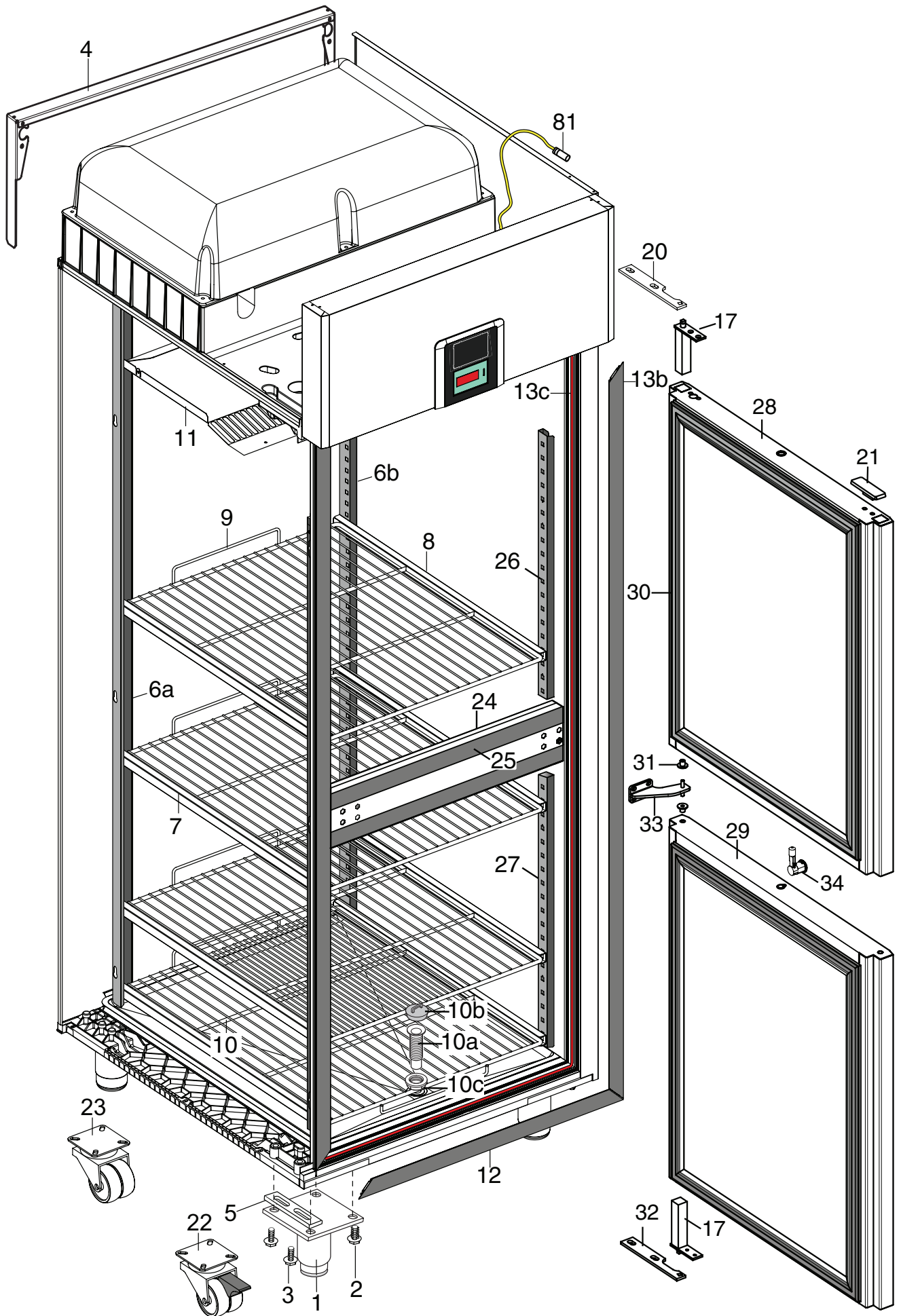
Note: per la corretta identificazione dei componenti, attenersi esclusivamente alle pagine indicate e alla lettera di riferimento.

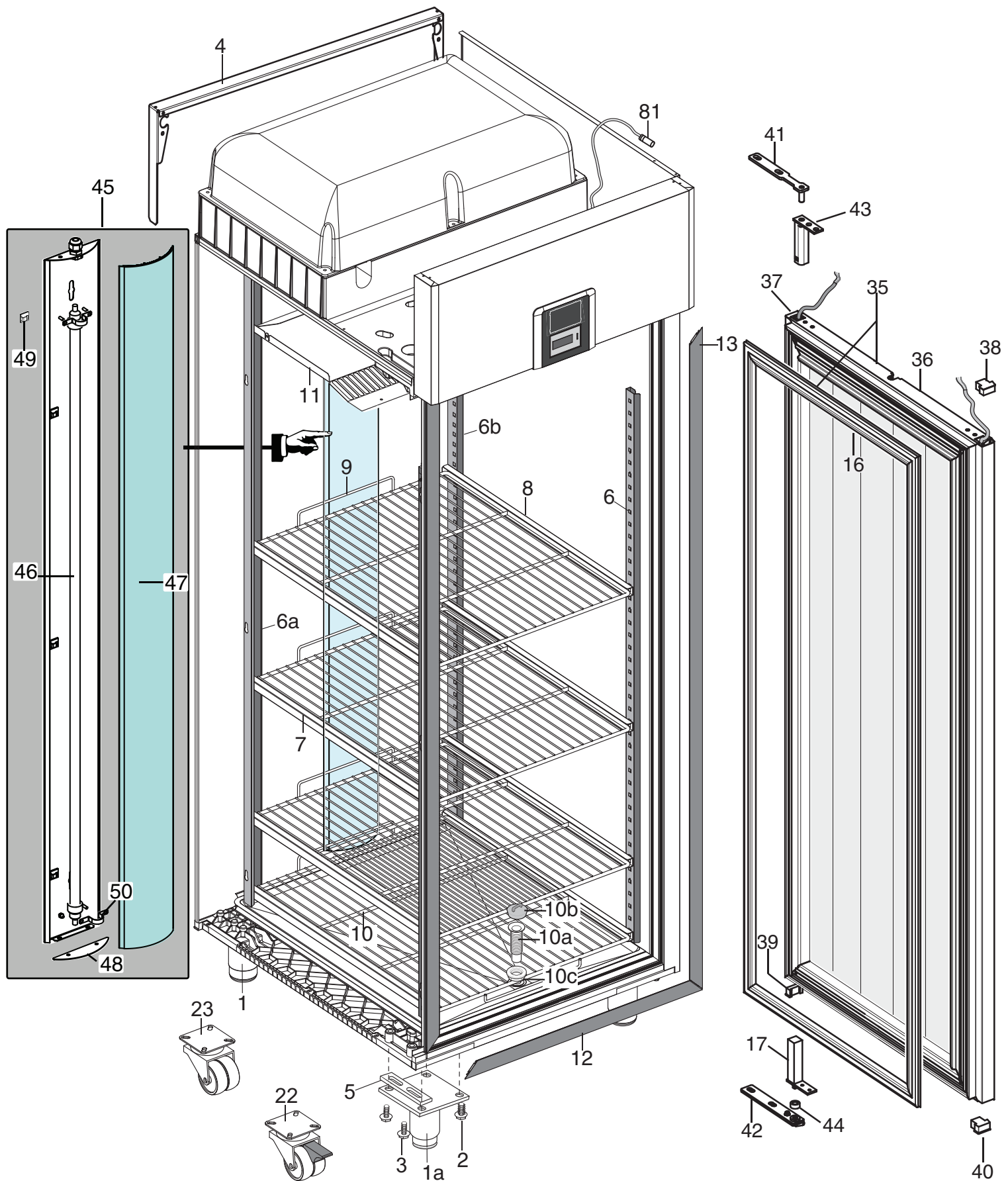
Note: for the correct identification of the components, follow the indicated pages and the reference letter.

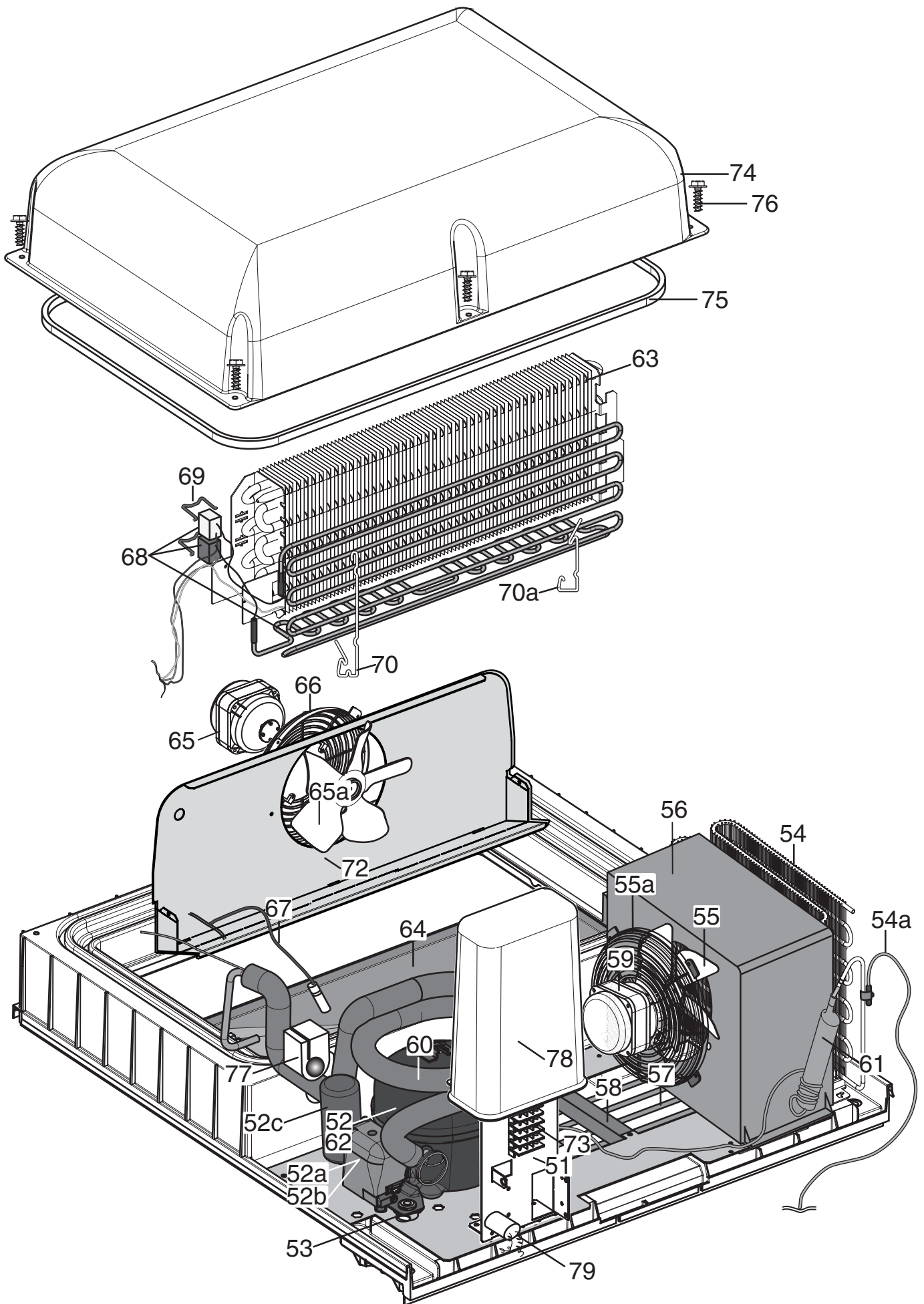
| Pag. | Index | Indice |
|----------|-----------------------|---------------------|
| 2,3,4 | Cabinet and door | Armadio e porta |
| 5 | Cooling unit assembly | Gruppo refrigerante |
| 6 | Control panel | Pannello comandi |
| 7,8,9,10 | Spare parts list | Lista ricambi |

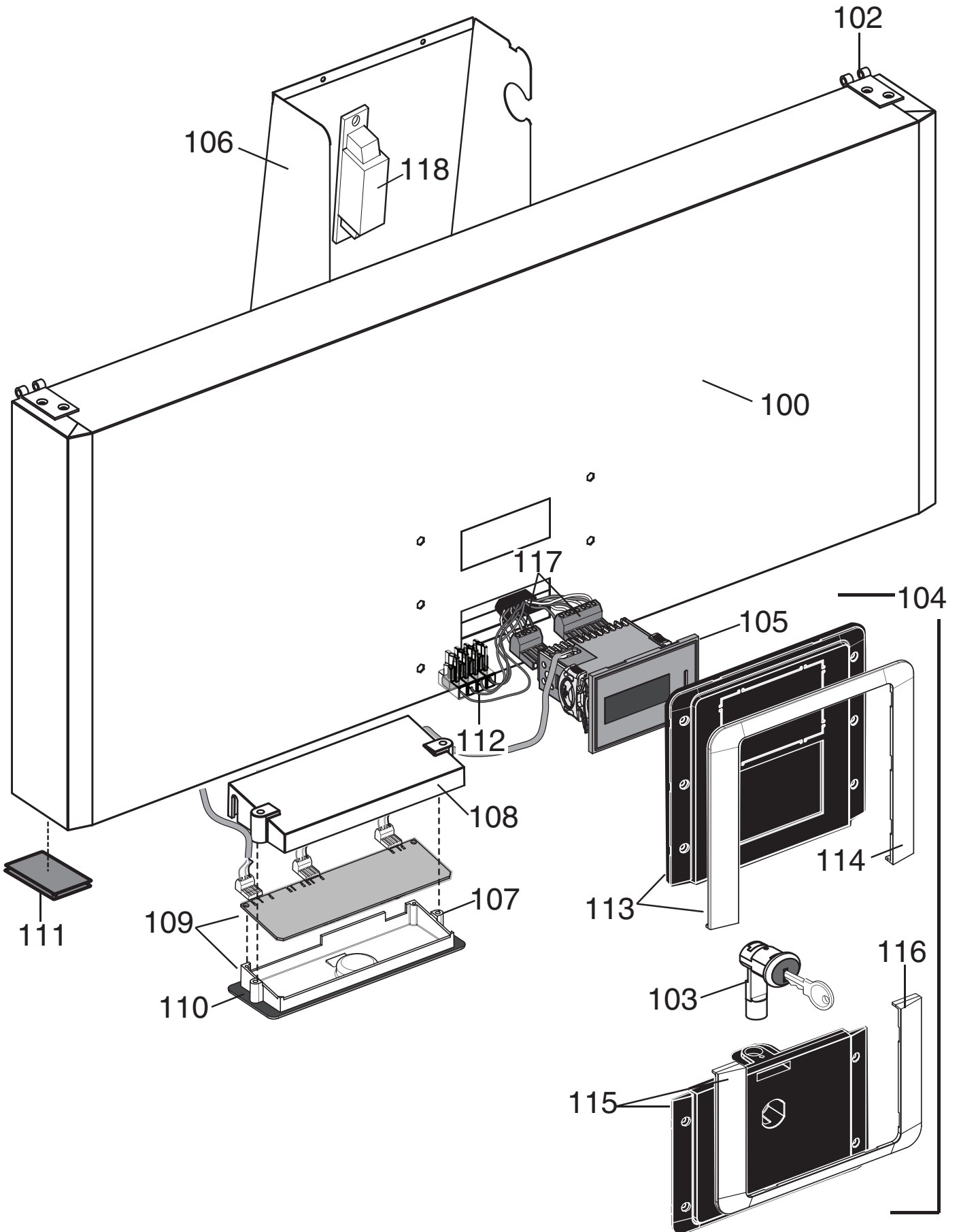
Rev: 3











| | | | | | | | | | | | | | |
|------------|-------------|------------|-------------|------------|-------------|------------|-------------|------------|-------------|------------|-------------|------------|-------------|
| PNC | Ref. | PNC | Ref. | PNC | Ref. | PNC | Ref. | PNC | Ref. | PNC | Ref. | PNC | Ref. |
| 727310 | a | 727311 | a | 728683 | b | 727381 | c | 727312 | d | 728684 | e | 727382 | f |
| 727313 | g | 728685 | h | 727383 | i | 727456 | l | 728732 | m | 728733 | n | 728734 | o |

| Pos | Spare parts code | Factory code | Descrizione | Description | Ref - Note |
|------------|-------------------------|---------------------|-------------------------------------|-----------------------------------|---------------------|
| 1 | 093243 | 541R05001 | Piedino | Foot | |
| 1a | 093244 | 518R02600 | Piedino anteriore porta vetro | Back foot glass door | |
| 2 | 093245 | 217555204 | Vite per plastica per piedino | Screw (use by fix foot)z | |
| 3 | 093246 | 518708601 | Vite M8x20 per fiss. staffa sup/inf | Screw M8X20 (use by fix bracket) | |
| 4 | 093247 | 502R17400 | Staffa supporto fianchi | Side support (upper) | |
| 5 | 093248 | 546R22800 | Distanziale per piede | Foot spacer | |
| 6 | 093355 | 501R36201 | Cremagliera anteriore | Front Rack | |
| 6a | 093356 | 501R48300 | Cremagliera posteriore dx 304 | Right back rack | |
| 6b | 093357 | 501R36101 | Cremagliera posteriore sx 304 | Left back rack | |
| 7 | 093358 | 501R48000 | Guida Sx | Left support | |
| 8 | 093359 | 501R48200 | Guida Dx | Right support | |
| 9 | 093252 | 514R10600 | Griglia 2/1 rilsan | Grid 2/1rilsan | a,c,d,f,g,i,l,m,n,o |
| 9 | 093360 | 514R10700 | Griglia 2/1 aisi 304 | Grid 2/1 aisi 304 | b,e,h |
| 10 | 093253 | 514R12200 | Griglia di fondo rilsan | Bottom grid rilsan | a,d,f,g,i,c,l,m,n,o |
| 10 | 093296 | 514R12100 | Griglia di fondo aisi 304 | Bottom grid aisi 304 | b,e,h |
| 10a | 093714 | 546R26000 | Piletta | Drain pipe | |
| 10b | 085535 | 545733700 | Tappo | Plug | |
| 10c | 081797 | 544701400 | Dado per piletta | Nut pipe | |
| 11 | 093460 | 501R56000 | Carter interno 304 | Internal protection aisi 304 | |
| 12 | 093254 | 832R09001 | Cornice orrizzontale | Orrizzontal frame | |
| 13 | 093255 | 832R09101 | Cornice verticale | Vertical frame | |
| 13b | 093256 | 832R09300 | Cornice verticale 1/2 porte | Vertical frame 1/2 doors | |
| 13a | 093361 | 617R07100 | Cavo riscaldante cornice 8,9 W | Heating cable frame 8,9 W | |
| 13c | 093362 | 617R07300 | Cavo riscaldante cornice 1/2 porte | Heating cable frame half doors | |
| 14 | 093478 | 835R27201 | Porta con guarnizione aisi 304 | Gasket and door | |
| 15 | 093477 | 835R27601 | Porta aisi 304 | Door | a,b,c,l,m |
| 16 | 093257 | 548R06802 | Guarnizione porta pv/pc | Gasket door (gl/fl) | a,b,c,d,f,l,m |
| 17 | 082219 | 835704001 | Cerniera porta | Hinge door | |
| 18 | 081654 | 544700601 | Boccola per porta | Door bush | |
| 19 | 093341 | 833R21600 | Staffa inferiore porta | Lower stirrup door | |
| 20 | 082257 | 505723802 | Staffa superiore porta | Upper stirrup door | a,b,c,g,l,m |
| 21 | 093271 | 541R05300 | Tappo per cerniere | Hole hinge plug | |
| 22 | 093575 | 835R24900 | Ruota rotante con freno | Brake weel | f,i,c,m,n,o |
| 23 | 093574 | 835R24800 | Ruota rotante | Weel | f,i,c,m,n,o |
| 22 | 087110 | 835739900 | Ruota rotante con freno | Brake weel | l |
| 23 | 087111 | 835740000 | Ruota rotante | Weel | l |
| 24 | 093342 | 880R64100 | Traversa per 1/2 porte a304 | Support half door a304 | |
| 25 | 093272 | 832R10000 | Cornice per traversa | Support half door frame | |
| 26 | 093363 | 501R51700 | Cremagliera ant. 1/2 porte sup. | Upper rack 1/2 doors a304 | |
| 27 | 093364 | 501R46100 | Cremagliera ant. 1/2 porte 304 inf. | Lower rack 1/2 doors a304 | |

| | | | | | | | | | | | | | |
|------------|-------------|------------|-------------|------------|-------------|------------|-------------|------------|-------------|------------|-------------|------------|-------------|
| PNC | Ref. | PNC | Ref. | PNC | Ref. | PNC | Ref. | PNC | Ref. | PNC | Ref. | PNC | Ref. |
| 727310 | a | 727311 | a | 728683 | b | 727381 | c | 727312 | d | 728684 | e | 727382 | f |
| 727313 | g | 728685 | h | 727383 | i | 727456 | l | 728732 | m | 728733 | n | 728734 | o |

| Pos | Spare parts code | Factory code | Descrizione | Description | Ref - Note |
|------------|-------------------------|---------------------|--|------------------------------------|-----------------------------|
| 28 | 093546 | 835R26303 | Ass.1/2 porta superiore a304 | Upper half door a304 | |
| 29 | 093519 | 835R25502 | Ass.1/2 porta inferiore a304 | Lower half door a304 | |
| 30 | 093273 | 548R07101 | Guarnizione magnetica 1/2 porte | Half door gasket | |
| 31 | 093392 | 546R21100 | Boccola per cerniera 1/2 porte | Half door bush | |
| 32 | 093301 | 833R21900 | Ass. staffa inf.(reversibile) pv-1\2p | Lower bracket (reversible) | |
| 33 | 093344 | 505R12400 | Cerniera centrale | Central hinge door | |
| 34 | 093433 | 833R21100 | Serratura | Serratura | |
| 35 | 093522 | 880R57101 | Ass. porta vetro con cerniere prem. | Glass door assembly complete prem. | |
| 36 | 093461 | 879R15700 | Porta vetro premium | Glass door | |
| 37 | 093535 | 546R22400 | Tappo sup. dx pv | Upper right plug door GL | |
| 38 | 093536 | 546R22300 | Tappo sup. sx pv | Upper left plug door GL | |
| 39 | 093537 | 546R22500 | Tappo inf. dx pv | Lower right plug door GL | |
| 40 | 093538 | 546R22200 | Tappo inf. sx pv | Lower left plug door GL | |
| 41 | 093349 | 505R12700 | Staffa superiore pv | Upper hinge GL | |
| 42 | 093301 | 833R21900 | Ass. staffa inf.(reversibile) pv-1\2p | Lower bracket (reversible) | |
| 43 | 093320 | 835R28100 | Ass cerniera sup pv | Upper hinge GL | |
| 44 | 093517 | 546R23100 | Boccola per cerniera PV | Hinge bush GL | |
| 45 | 093303 | 880R60701 | Ass. porta lampada completo | Light support assembly | d, e, f, n up to 2471... |
| 45 | 094484 | 835R26801 | Ass. porta lampada completo | Light support assembly | d, e, f, n from 2481... |
| 46 | 093350 | 661R01000 | Lampada 28W | Neon 28W | |
| 47 | 093258 | 546R22600 | Frontale lampada | Protection light | |
| 48 | 093351 | 501R49500 | Tappo chiusura luce | Plug of clousure | |
| 49 | 093352 | 546R23200 | Ferma cavo | Wiring stopper | |
| 50 | 093321 | 501R50200 | Fermo lampada | Stopper light | |
| | | | mod. gruppo 1 modulo | condensing unit | |
| 51 | 093332 | 501R41503 | Supporto impianto elettrico | Electrical wiring support | |
| 52 | 093425 | 684R05700 | Compressore (EMT6144U) 220/50 hz | Compressor (EMT6144U) 220/50hz | |
| 52a | * | * | Relè avviamento | Start relay (EMT6144U) | |
| 52b | * | * | Protettore | Protector (EMT6144U) | |
| 52c | * | * | Condensatore di avviamento | Start capacitor (EMT6144U) | |
| 53 | 087122 | 518708401 | Gommino per compressore | Rubber compressor | |
| 54 | 093346 | 830R06500 | Condensatore | Condenser | |
| 54A | 092360 | 846R09400 | Sonda condensatore | Probe condenser | |
| 55 | 089697 | 511708800 | Ventola 230-31 (elco) | Ventola 230-31(elco) | |
| 55a | 089755 | 546709500 | Protezione ventola | Fan protection | |
| 56 | 093602 | 546R24200 | Supporto motore condensatore | Fan condenser support | |
| 57 | 093259 | 515R12700 | Serpentina evap. acqua di condensa | Evaporation water pipe | |
| 58 | 093260 | 543R09300 | Fissaggio serpentina | Stopper pipe | |
| 59 | 093334 | 682R05300 | Ventilatore condensatore (elco) | Condenser ventiator (elco) | |

| | | | | | | | | | | | | | |
|---------------|-------------|---------------|-------------|---------------|-------------|---------------|-------------|---------------|-------------|---------------|-------------|---------------|-------------|
| PNC | Ref. | PNC | Ref. | PNC | Ref. | PNC | Ref. | PNC | Ref. | PNC | Ref. | PNC | Ref. |
| 727310 | a | 727311 | a | 728683 | b | 727381 | c | 727312 | d | 728684 | e | 727382 | f |
| 727313 | g | 728685 | h | 727383 | i | 727456 | l | 728732 | m | 728733 | n | 728734 | o |

| Pos | Spare parts code | Factory code | Descrizione | Description | Ref - Note |
|------------|-------------------------|---------------------|--|---|-------------------|
| 60 | * | 858R06900 | Scambiatore | Heat exchanger | |
| 61 | 099949 | 858R00100 | Filtro | Dehydrator filter | |
| 62 | 0A8171 | A02021800 | Valvola per compressore | Compressor valve (charge or disch.) | |
| 63 | 093323 | 830R03901 | Evaporatore 2R 8T | Evaporator 2R 8T | |
| 64 | 093469 | 546R19201 | Vaschetta evaporatore | Evaporator tray | |
| 65 | 093367 | 682R05800 | Ventilatore evaporatore (ebm) | Evaporator fan (ebm) | |
| 65a | 093783 | 511R01200 | Ventola 200-25 | Fan 200 | |
| 66 | 089770 | 546709600 | Griglia evap. P200 | Fan protection | |
| 67 | 092174 | 646R06800 | Sonda cella 2000 | Cell probe | a,b,d,e |
| 67 | 092173 | 646R06700 | Sonda cella 1500 | Cell probe | c,f,g,h,i,l,m,n,o |
| 68 | 093327 | 617R06101 | Resistenza con termostati 2R | Heating element with thermostat | i,a,b,c,g,h,l,m,o |
| 69 | 093487 | 514R11601 | Molla per fissaggio termostati | Thermostat spring | i,a,b,c,g,h,l,m,o |
| 70 | 093368 | 514R10801 | Molla per fissaggio resistenza 2R | Heating element spring 2R | i,a,b,c,g,h,l,m,o |
| 70a | 093353 | 514R12000 | Molla per fissaggio resistenza 83,5 | Heating element spring 83,5 | i,a,b,c,g,h,l,m,o |
| 72 | 093370 | 501R43901 | Convogliatore evaporatore P.200 | Evaporator conveyer A304 | |
| 73 | 093528 | 639R09900 | Morsettiera | Clamp | |
| 74 | 093261 | 835R24101 | Assieme Calotta | Evaporator cover | Up to 6181 |
| 74 | 095201 | 835R47601 | Assieme Calotta | Evaporator cover | From 6191 |
| * | 095200 | 0881R32401 | Modulo Calotta TN | Evaporator cover Module TN | |
| * | 095202 | 0546R34400 | Staffa per calotta schiumata | Support for foamed Evaporator | |
| 75 | 093262 | 14701R003 | Neoprene espanso 8x13,3 nero (M4) | Gasket cover (neoprene 8x13,3) | |
| 76 | 093245 | 217555204 | Vite senza punta x plastica | Cover screw | |
| 77 | 093263 | 546R19702 | Tamponcino per tubi | Pipe cover insulation | |
| 78 | 093264 | 541R04801 | Copertura impianto elettrico | Wiring cover | |
| 79 | 092257 | 694R00501 | Filtro antidisturbo | Electrical filter | |
| 81 | 093371 | 646R10900 | Sonda ambiente | Ambient probe | |
| 99 | 093591 | 880R51905 | Cruscotto senza mascherina A304 | Panel without template A304 | a,b,c,g,h,i,l,m,o |
| 99 | 093584 | 880R61105 | Cruscotto senza masch. aisi 304 PV | Panel without template aisi 304 GL | d,e,f,n |
| 100 | 093525 | 509R13403 | Cruscotto comandi | Panel 304 AISI | |
| 102 | 093609 | 832R10100 | Cerniera per cruscotto dx | Hinge for panel right | |
| 102a | 093610 | 832R10200 | Cerniera per cruscotto sx | Hinge for panel left | |
| 103 | 093345 | 833R20900 | Serratura | Latch | |
| 104 | 093380 | 855R10800 | Ass.macherina porta/cruscotto elux | Complete template door and panel | a,c,g,i,l |
| 104 | 093381 | 855R10900 | Ass.macherina porta/cruscotto ZAN | Complete template door and panel | p |
| 104 | 093382 | 855R11000 | Ass.macherina porta/cruscotto alp | Complete template door and panel | b,h,m,o |
| 104 | 093383 | 855R11100 | Ass.macherina porta/cruscotto pv E | Complete template door and panel | d,f |
| 104 | 093385 | 855R11300 | Ass.macherina porta/cruscotto pv A | Complete template door and panel | e,n |
| 105 | 093437 | 646R10601 | Termoregolatore ir33 premium pc | Thermoregulator premium | To be set |
| 106 | 093295 | 501R37401 | Protezione | Protection led-lamp | |
| 107 | 093386 | 546R19501 | Supporto scheda led | Support led-lamp | |

| PNC | Ref. | PNC | Ref. | PNC | Ref. | PNC | Ref. | PNC | Ref. | PNC | Ref. | PNC | Ref. |
|--------|------|--------|------|--------|------|--------|------|--------|------|--------|------|--------|------|
| 727310 | a | 727311 | a | 728683 | b | 727381 | c | 727312 | d | 728684 | e | 727382 | f |
| 727313 | g | 728685 | h | 727383 | i | 727456 | l | 728732 | m | 728733 | n | 728734 | o |

| Pos | Spare parts code | Factory code | Descrizione | Description | Ref - Note |
|------------|------------------|------------------|--------------------------------------|-------------------------------------|---------------|
| 108 | 093387 | 546R19600 | Protezione scheda led | Protection led-lamp | |
| 109 | 093810 | 855R12700 | Ass. scheda led+supp. plastica | Led-lamp board GL + Support | |
| 110 | 093390 | 569R05900 | Guarnizione per cheda led | Ledlamp board gasket | |
| 111 | 093269 | 541R05400 | Tappo per cerniera porta | Door hinge plug | |
| 112 | 093391 | 639R10400 | Morsetto | Clamp | |
| 113 | * | 855R09900 | Ass. mascherina cruscotto elux | Assembled template panel elux | a,c,g,i,l |
| 113 | * | 855R10100 | Ass. mascherina cruscotto apx | Assembled template panel apx | b,h,m,o |
| 113 | * | 855R10000 | Ass. mascherina cruscotto ZAN | Assembled template panel ZAN | p |
| 113 | * | 855R10200 | Ass. mascherina cruscotto pv e | Assembled template panel gl e | d,f |
| 113 | * | 855R10400 | Ass. mascherina cruscotto pv A | Assembled template panel gl A | e,n |
| 114 | * | 546R20000 | Cornice mascherina cruscotto | Template frame for panel | a,c,d,f,g,i,l |
| 114 | * | 546R20100 | Cornice mascherina cruscotto | Template frame for panel | b,h,e,m,n,o,p |
| 115 | * | 855R10500 | Ass. mascherina porta elux | Assembled template door elux | a,c,d,f,g,i,l |
| 115 | * | 855R10700 | Ass. mascherina porta apx | Assembled template door apx | b,e,h,m,n,o |
| 115 | * | 855R10600 | Ass. mascherina porta ZAN | Assembled template door ZAN | p |
| 116 | * | 546R20200 | Cornice mascherina porta elux | Control door frame elux | a,c,d,f,g,i,l |
| 116 | * | 546R20300 | Cornice mascherina porta | Control door frame | b,h,e,m,n,o |
| 116 | * | 546R20300 | Cornice mascherina porta ZAN | Control door frame ZAN | p |
| * | 093491 | 217541085 | Vite per fissaggio mascherina M3x8 | Screws M3X8 for control door/panel | |
| 117 | * | 639R06800 | Connettore dritto 3 vie | Connector 3 ways right | |
| 117 | * | 639R06900 | Connettore dritto 7 vie | Connector 7 ways right | |
| 117 | 099740 | * | Connettore 90° 7 vie | Connector 7 ways 90° | |
| 117 | 099741 | * | Connettore 90° 5 vie | Connector 5 ways 90° | |
| 117 | 088998 | * | Connettore 90° 3 vie | Connector 3 ways 90° | |
| 117 | 099743 | * | Connettore 90° 3 vie piccolo | Connector 3 ways 90° small | |
| 117 | 099742 | * | Connettore 90° 2 vie | Connector 2 ways 90° | |
| 117 | 091682 | * | Connettore 90° 4 vie | Connector 4 ways 90° | |
| 117 | 091684 | * | Connettore 90° 5 vie | Connector 5 ways 90° | |
| * | 093180 | 639R09600 | Convertitore spina UK | UK plug converter | c,f,i,m,n,o |
| 118 | 093270 | 624R01400 | Alimentatore | Light power | d,e,f |
| | | | | | |
| | | | | | |