

Thermoregulator
freezer - 1M - full door

CABINETS PREMIUM

R290

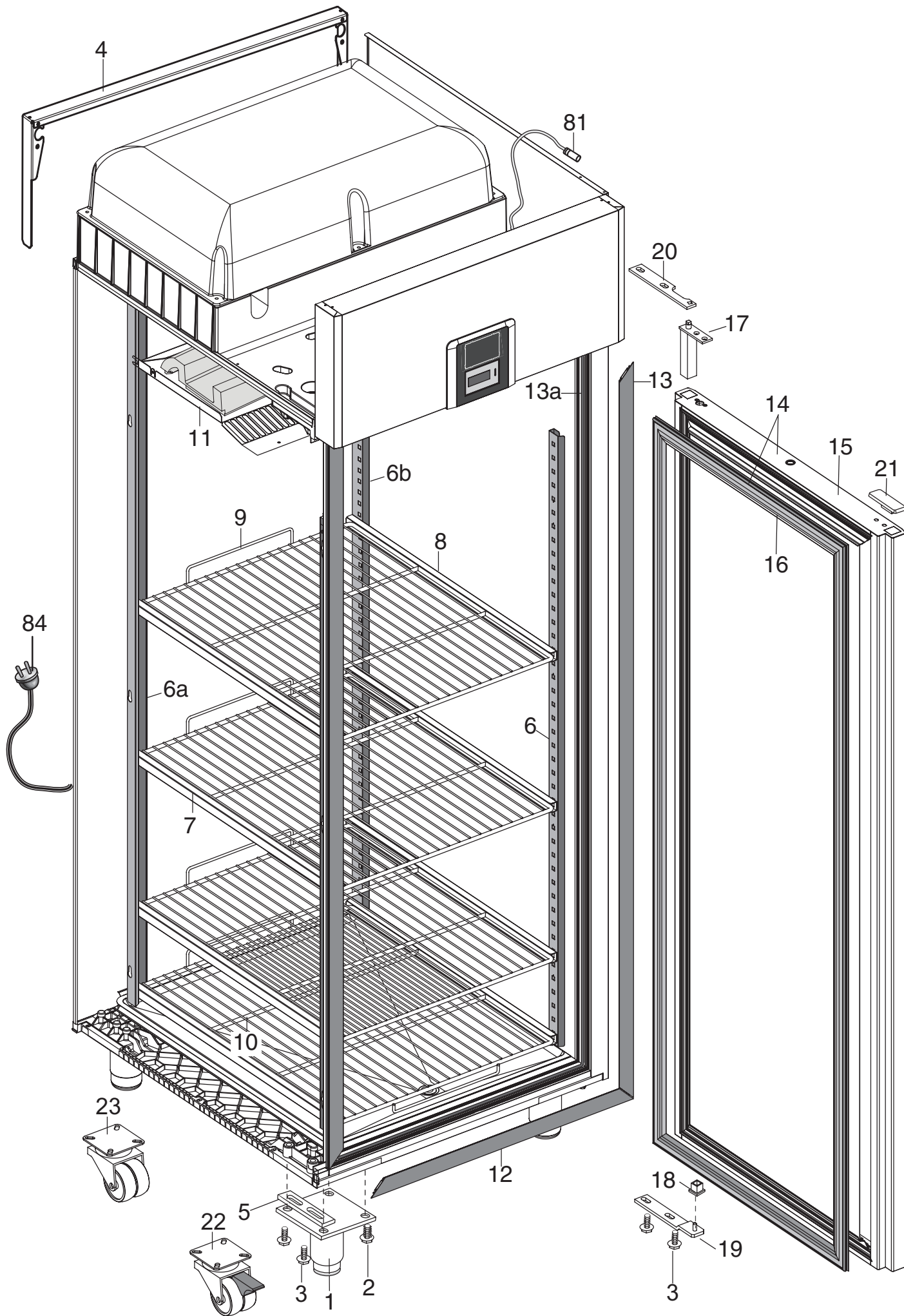
PNC	Avv.	Description	Brand	Ref.	Page
110157	00/01	FV 1M PREMIUM R290 FULL 304/304 DIG. BT	ZANUSSI	p	2,5,6,7,8
110587	00/00	1-DOOR FREEZER 670L -22°-15°C,DIGITAL,LEFT-R290	ZANUSSI	q	2,5,6,7,8
110588	00/00	1-DOOR FREEZER 670L -22°-15°C,DIGITAL-R290	ZANUSSI	r	2,5,6,7,8
110589	00/00	1-GLASS DOOR FREEZER 670L -22°-15°C,DIGITAL-R290	ZANUSSI	s	3,5,7
110590	00/00	2x½-DOOR FREEZER 670L -22°-15°C,DIGIT-R290	ZANUSSI	t	4,5,6,7,8
110849	01/01	1-GLASS DOOR FREEZER 670L -20°-15°C, DIGITAL-R290	ZANUSSI	v	3,5,7
727314	04/19	FV 1M PREMIUM R290 FULL 304/304 DIG. BT rgt hinged	Elux Prof	a	2,5,6,7,8
727315	04/19	FV 1M PREMIUM R290 FULL 304/304 DIG. BT lft hinged	Elux Prof	a	2,5,6,7,8
727316	05/20	FV 1M PV PREMIUM R290 304/304 DIG. BT	Elux Prof	d	3,5,7
727317	04/0	FV 1M 2 1/2 PORTE R290 PREMIUM 304/304 DIG. BT	Elux Prof	f	4,5,6,7,8
727384	04/20	FV 1M PREMIUM R290 FULL 304/304 DIG. BT UK	Elux Prof	c	2,5,6,7,8
727385	05/21	FV 1M 2 1/2 PORTE R290 PREMIUM 304/304 DIG. BT UK	Elux Prof	h	4,5,6,7,8
727457	05/21	FV 1M PREMIUM R290 BT MC DONALDS	Elux Prof	l	2,5,6,7,8
727458	05/22	FV 1M 2 1/2 PORTE R290 PREMIUM BT MC DONALDS	Elux Prof	i	4,5,6,7,8
727535	06/06	2½D FREE 670L -22°C,DIG(R290)+WHEELS-MCD	Elux Prof	o	4,5,6,7,8
727964	01/01	1-GLASS DOOR FREEZER 670L -20°-15°C, DIGITAL-R290	Elux Prof	w	3,5,7
728687	04/19	FV 1M PREMIUM R290 FULL 304/304 DIG. BT NCAP	ALPEN	b	2,5,6,7,8
728688	05/20	FV 1M PV PREMIUM R290 APX 304/304 DIG. BT NCAP	ALPEN	e	3,5,7
728689	05/20	FV 1M 2 1/2 PORTE R290 PREMIUM 304/304 DIG. BT NCAP	ALPEN	g	4,5,6,7,8
728735	01/16	FV 1M PREMIUM R290 FULL 304/304 DIG. BT UK	ALPEN	m	2,5,6,7,8
728736	01/16	FV 1M 2 1/2 PORTE R290 PREMIUM 304/304 DIG. BT UK	ALPEN	n	4,5,6,7,8
729511	01/01	1-GLASS DOOR FREEZER 670L -20°-15°C, DIGITAL-R290	ALPEN	x	3,5,7
729554	00/00	1-DR FREEZ.670L -22/-15,DIG,LFT-R290	ALPEN	u	2,5,6,7,8

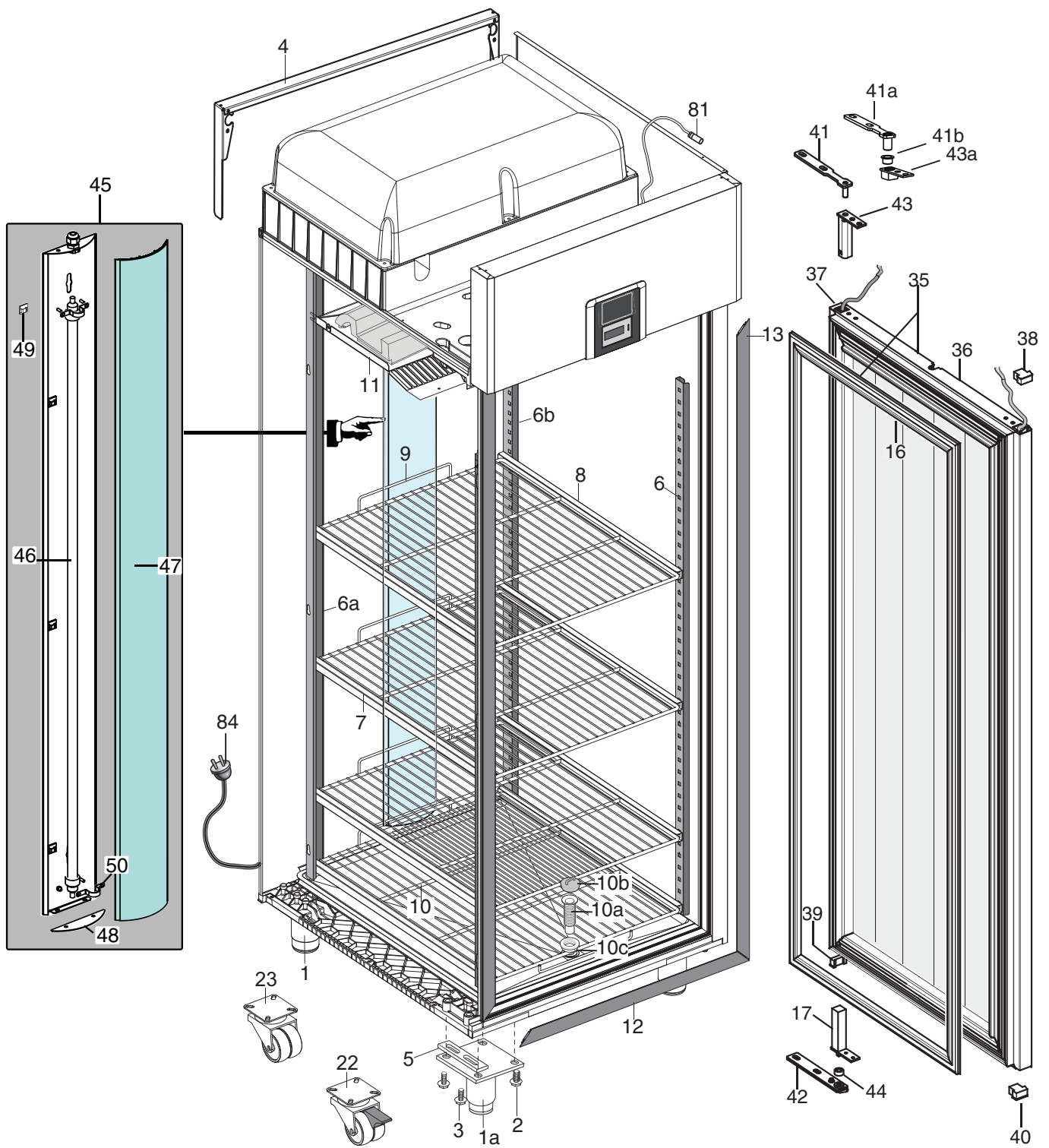
Note: per la corretta identificazione dei componenti, attenersi esclusivamente alle pagine indicate e alla lettera di riferimento.

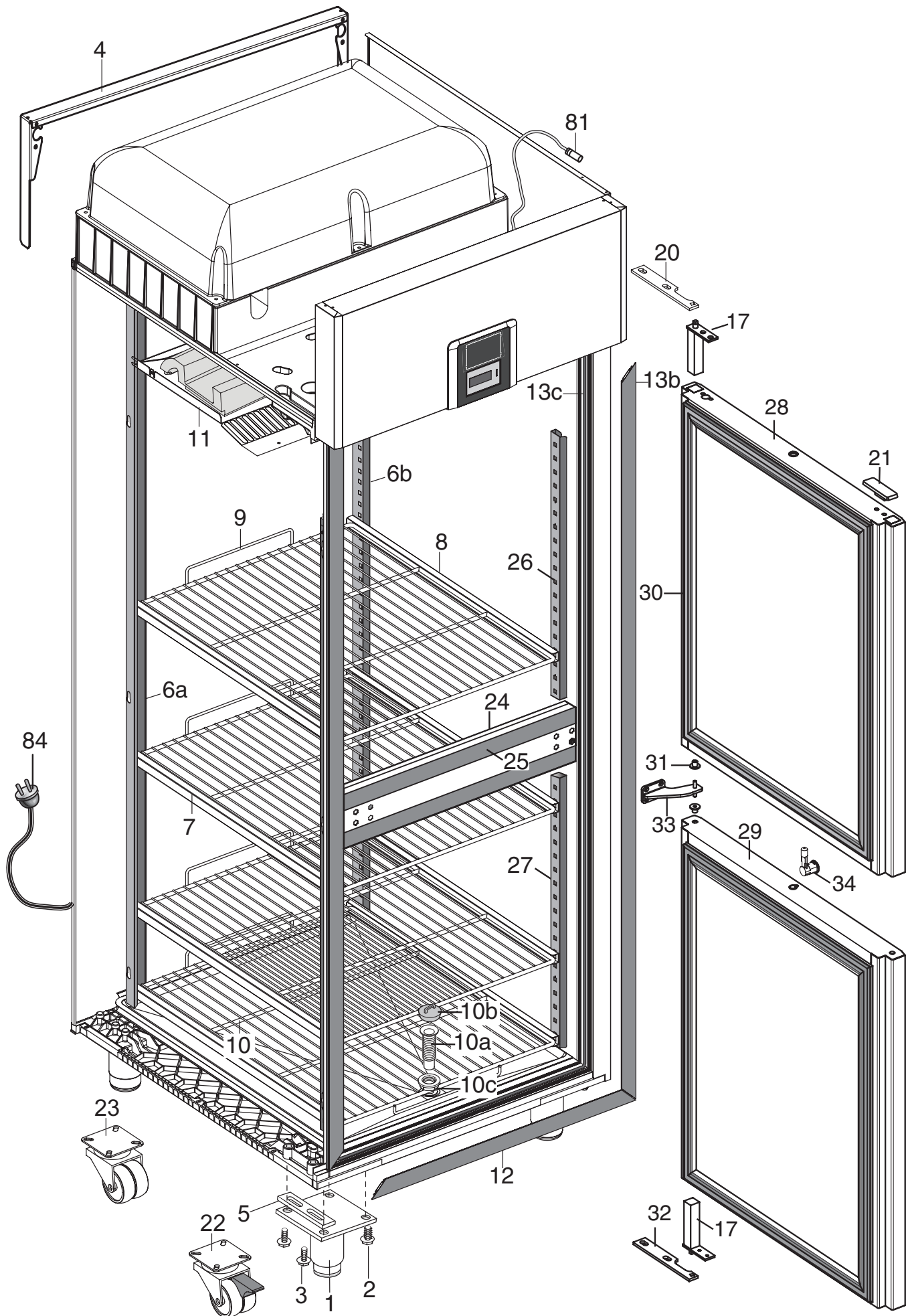
Note:for the correct identification of the components, follow the indicated pages and the reference letter.

	Index	Indice	
Pag.	2,3,4	Cabinet and door	Armadio e porta
	5,6	Cooling unit assembly	Gruppo refrigerante
	7,8	Control panel	Pannello comandi
	9-13	Spare parts list	Lista ricambi

Rev: 8

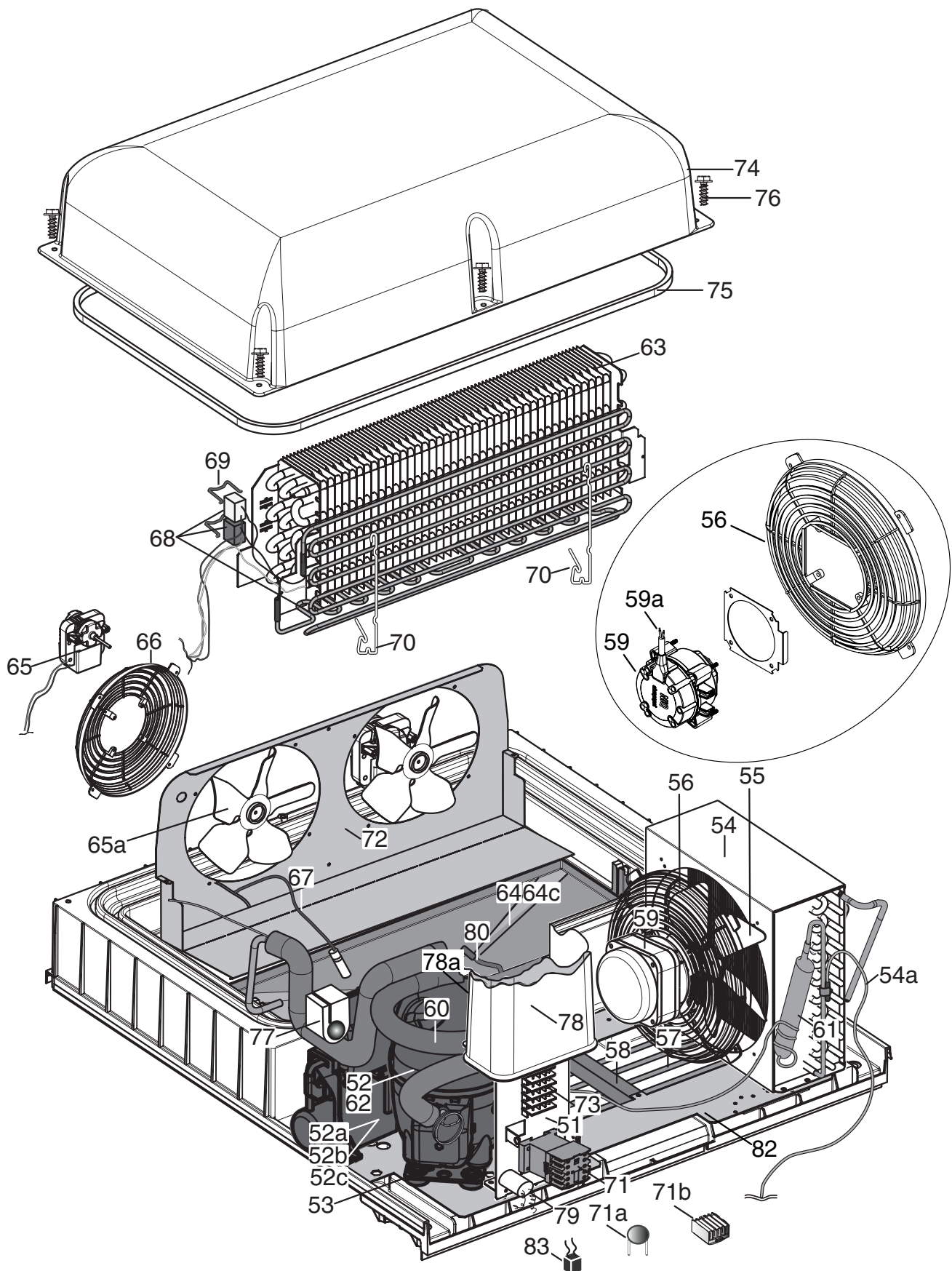






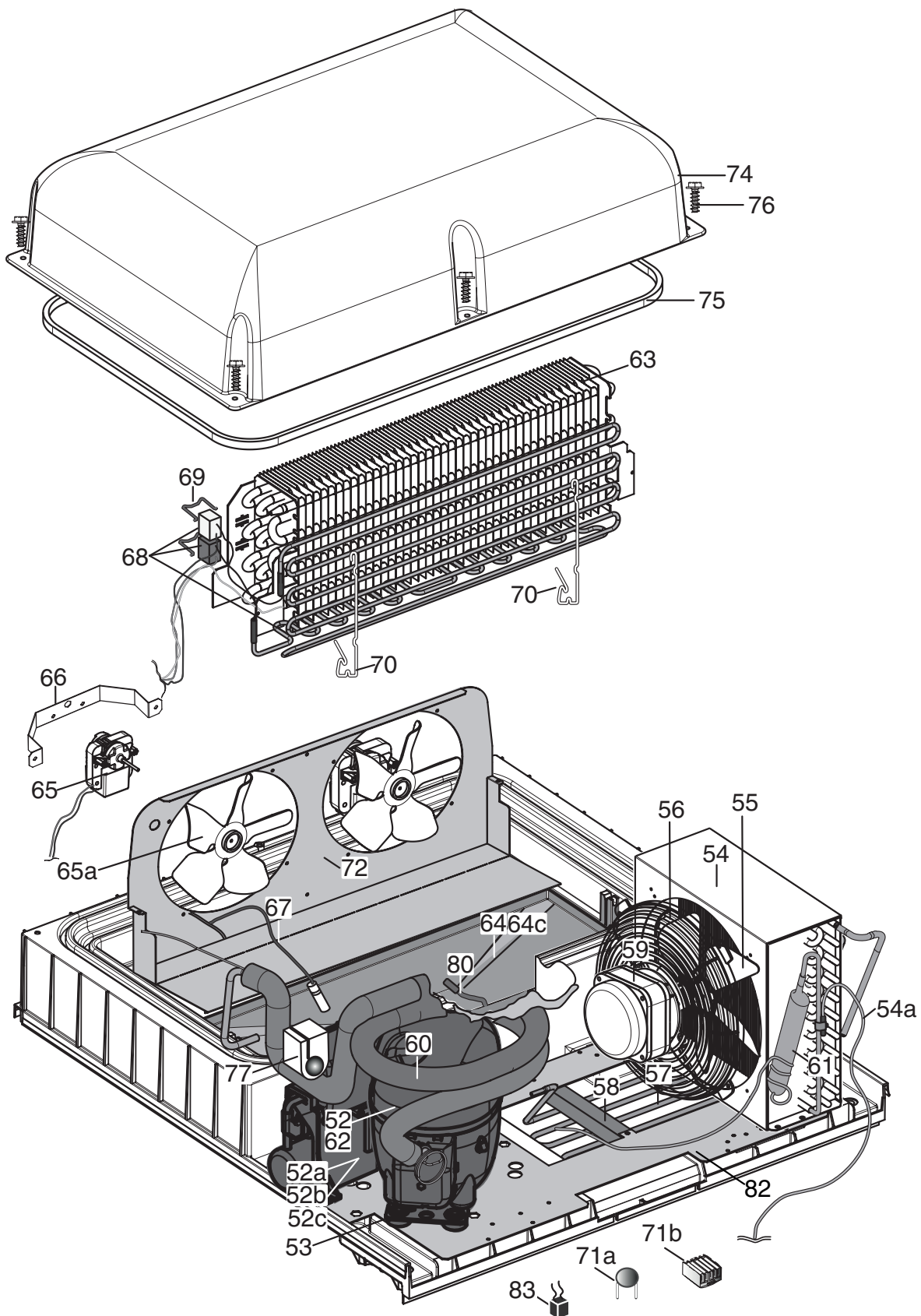
COOLING UNIT ASSEMBLY

for glass door always and full door up to 2021/37



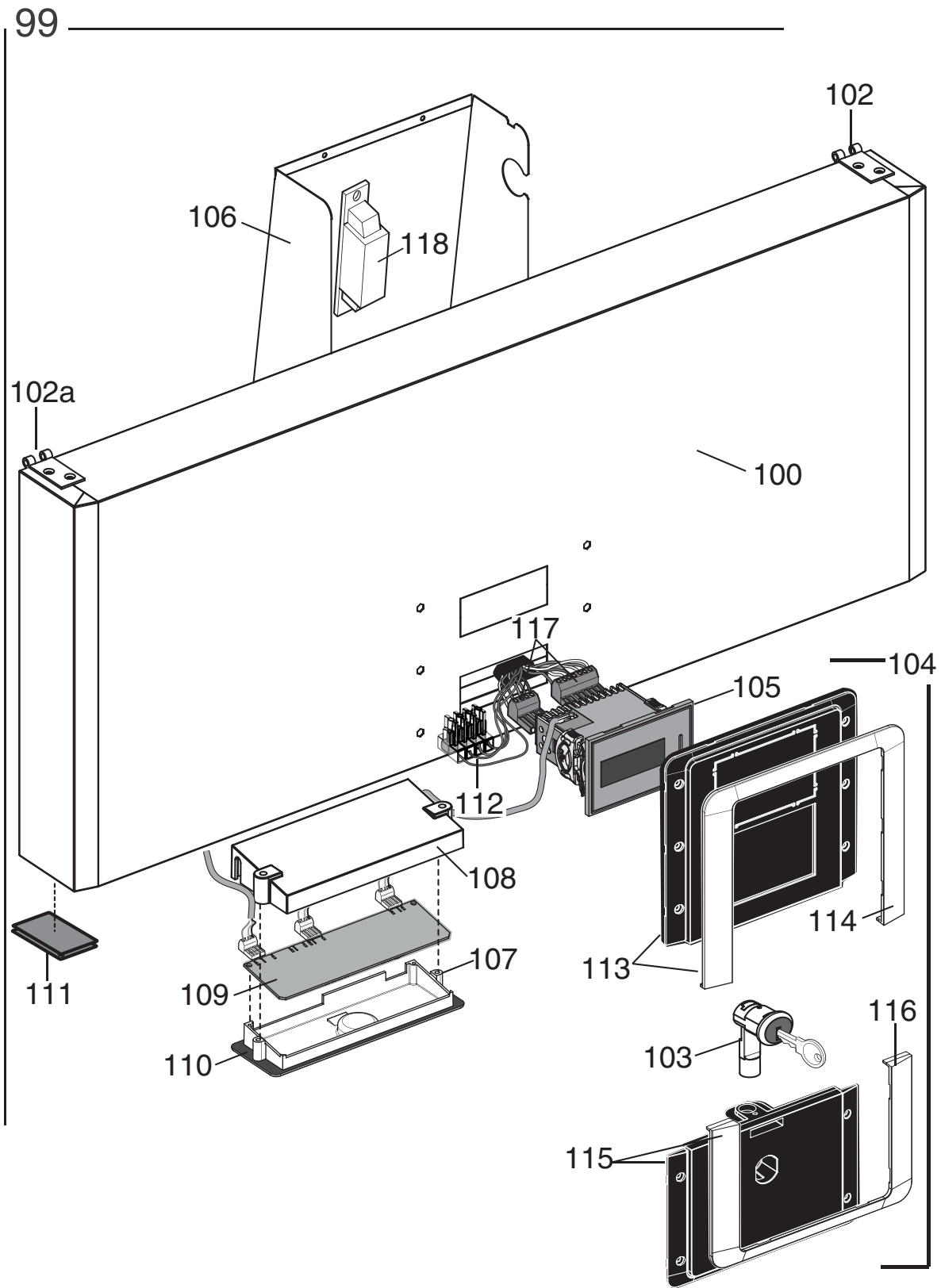
COOLING UNIT ASSEMBLY

for full door from 2021/38

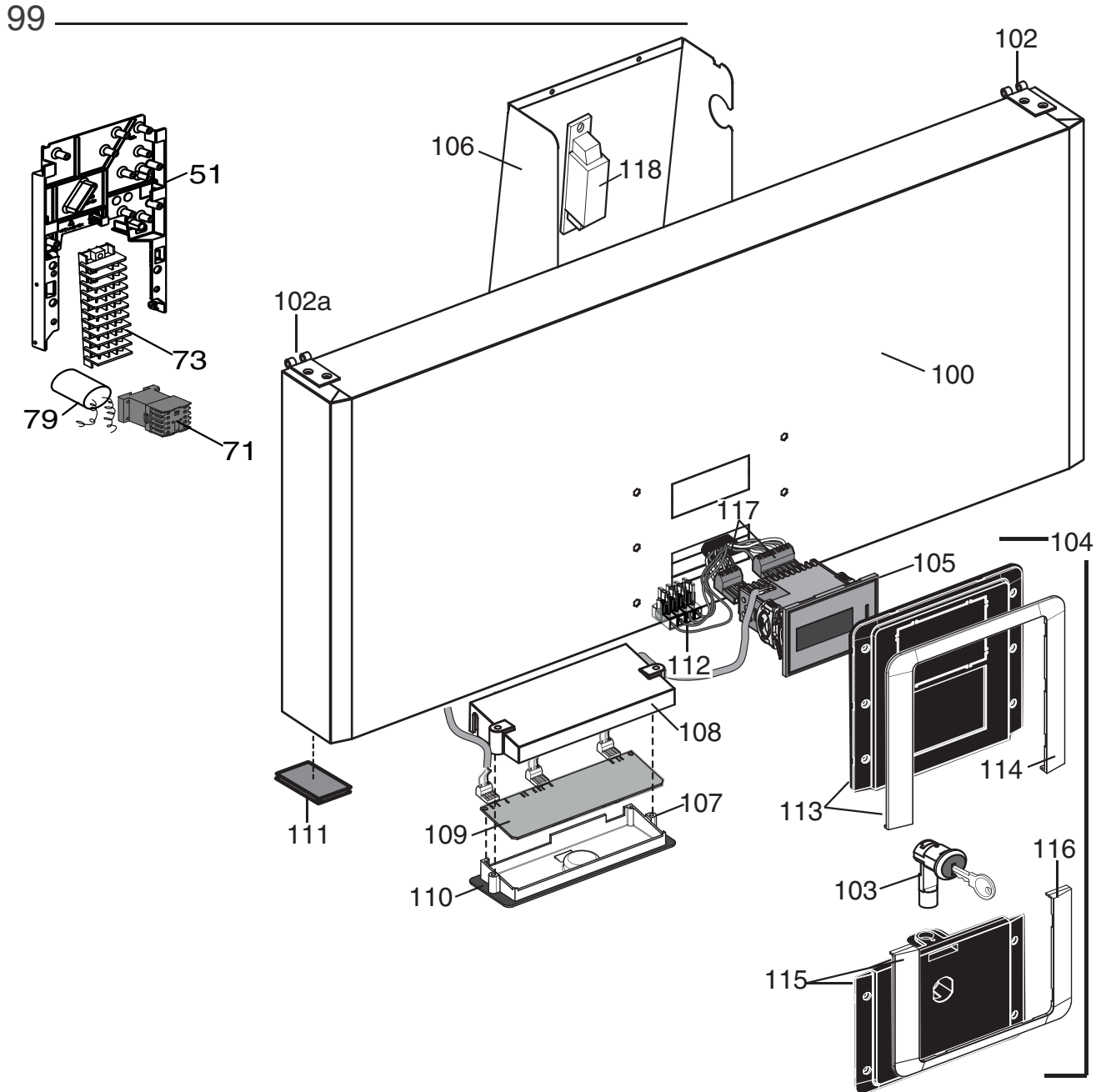


CONTROL PANEL

for glass door always and full door up to 2021/37



CONTROL PANEL for full door from 2021/38



Pos	Spare parts code	Factory code	Descrizione	Description	Ref - Note
1	093243	541R05001	Piedino	Foot	
1a	093244	518R02600	Piedino anteriore porta vetro	Back foot glass door	
2	093245	217555204	Vite per plastica per piedino	Screw (use by fix foot)	
3	093246	518708601	Vite M8x20 per fiss. staffa sup/inf	Screw M8X20 (use by fix bracket)	
4	093247	502R17400	Staffa supporto fianchi	Side support (upper)	
5	093248	546R22800	Distanziale per piede	Foot spacer	
6	093355	501R36201	Cremagliera anteriore	Front Rack	
6a	093356	501R48300	Cremagliera posteriore dx 304	Right back rack	
6b	093357	501R36101	Cremagliera posteriore sx 304	Left back rack	
7	093358	501R48000	Guida Sx	Left support	
8	093359	501R48200	Guida Dx	Right support	
9	093252	514R10600	Griglia 2/1 rilsan	Grid 2/1rilsan	a,c,d,f,h,i, l,m,n,o,q,r,s,t,u
9	093360	514R10700	Griglia 2/1 aisi 304	Grid 2/1 aisi 304	b,e,g
10	093253	514R12200	Griglia di fondo rilsan	Bottom grid rilsan	a,c,d,f,h,i, l,m,n,o,q,r,s,t,u
10	093296	514R12100	Griglia di fondo aisi 304	Bottom grid aisi 304	b,e,g
11	097108	875R37600	Ass. carter interno	Internal protection assembly	
12	093254	832R09001	Cornice orizzontale	Orizzontal frame	
13	093255	832R09101	Cornice verticale	Vertical frame	
13b	093256	832R09300	Cornice verticale 1/2 porte	Vertical frame 1/2 doors	
13a	093330	617R06701	Cavo riscaldante cornice 22,5 W	Heating cable frame 22,5 W	Up to 2021/37
13a	094841	617R13200	Cavo riscaldante cornice 22,5 W	Heating cable frame 22,5 W	From 2021/38
13c	093331	617R07502	Cavo riscaldante cornice 1/2 porte	Heating cable frame half doors 28W	
14	093523	835R25102	Porta con guarnizione e cerniere	Gasket, hinge and door	
15	093524	835R25008	Porta	Door	
16	093257	548R06802	Guarnizione porta cieca	Gasket full door	Up to 2013/47
16	094152	548R08000	Guarnizione porta cieca e porta vetro LED	Gasket full door and LED glass door	From 2013/48
16	093257	548R06802	Guarnizione porta vetro	Gasket glass door	
17	082219	835704001	Cerniera porta	Hinge door	
18	081654	544700601	Boccola per porta	Door bush	
19	093341	833R21600	Staffa inferiore porta	Lower stirrup door	
20	082257	505723802	Staffa superiore porta	Upper stirrup door	
21	093271	541R05301	Tappo per cerniere	Hole hinge plug	
22	093575	835R24900	Ruota rotante con freno	Brake weel	c,h,m,n
22	087110	835739900	Ruota rotante con freno	Brake weel	i,l,o
23	093574	835R24800	Ruota rotante	Weel	c,h,m,n
23	087111	835740000	Ruota rotante	Weel	i,l,o
24	093342	880R64100	Traversa per 1/2 porte a304	Support half door a304	
25	093272	543R09901	Cornice per traversa	Support half door frame	
26	093363	501R51700	Cremagliera ant. 1/2 porte sup.	Upper rack 1/2 doors a304	
27	093364	501R46100	Cremagliera ant. 1/2 porte 304 inf.	Lower rack 1/2 doors a304	
28	093546	835R26310	Ass.1/2 porta superiore a304	Upper half door a304	
29	093519	835R25509	Ass.1/2 porta inferiore a304	Lower half door a304	
30	094153	548R08100	Guarnizione magnetica 1/2 porte	Half door gasket	
31	093392	546R21100	Boccola per cerniera 1/2 porte	Half door bush	
32	093301	833R21900	Ass. staffa inf.(reversibile) pv/pc	Lower hinge assembly	
33	093344	505R12400	Cerniera centrale	Central hinge door	

Pos	Spare parts code	Factory code	Descrizione	Description	Ref - Note
34	093433	833R21100	Serratura	Serratura	
35	093549	880R57701	Ass. porta vetro con cerniere e guar.	Glass door ass. of hinge and gasket	
35		883R04401	Ass. porta vetro LED con cerniere e guarnizioni	LED Glass door ass. of hinge and gasket	v,w,x
36	093496	879R15900	Porta vetro bt	Glass door bt	
36	096176	879R36901	Porta vetro bt LED	LED Glass door bt	v,w,x
37	093535	546R22400	Tappo sup. dx pv	Upper right plug door GL	
38	093536	546R22300	Tappo sup. sx pv	Upper left plug door GL	
39	093537	546R22500	Tappo inf. dx pv	Lower right plug door GL	
40	093538	546R22200	Tappo inf. sx pv	Lower left plug door GL	
41	093349	505R12700	Staffa superiore pv	Upper hinge GL	
41a	096180	505R21900	Cerniera superiore pv LED	Upper hinge GL LED	v,w,x
41b	096182	546R35300	Boccola GFM-16-18-16	Bush GFM-16-18-16	v,w,x
42	093301	833R21900	Ass. staffa inf.(reversibile) pv/pc	Lower bracket (reversible)	
43	093320	835R28100	Ass cerniera sup pv	Upper hinge GL	
43a	096181	505R22000	Ass cerniera sup pv LED	Upper hinge GL LED	v,w,x
44	093517	546R23100	Boccola per cerniera PV	Hinge bush GL	
45	093303	880R60701	Ass. porta lampada completo	Light support assembly	d, e up to 2471...
45	094484	835R26801	Ass. porta lampada completo	Light support assembly	d,e,s from 2481...
46	093350	661R01000	Lampada 28W	Neon 28W	
47	093258	546R22600	Frontale lampada	Protection light	
48	093351	501R49500	Tappo chiusura luce	Plug of clousure	
49	093352	546R23200	Ferma cavo	Wiring stopper	
50	093321	501R50200	Fermo lampada	Stopper light	
51		502R24300	Supporto impianto elettrico	Electrical wiring support	Glass door always
51		502R24300	Supporto impianto elettrico	Electrical wiring support	Full door up to 2021/37
51	097284	546R43401	Supporto impianto elettrico	Electrical wiring support	Full door from 2021/38
52	093422	684R05800	Compressore (NT2170OU) 220/50 hz	Compressor (NT2170OU) 220/50hz	Up to 2021/37
52	094840	684R11900	Compressore (NEU2168U) 220/50 hz	Compressor (NEU2168U) 220/50hz	From 2021/38
52a	092587	*	Relè avviamento	Start relay	
52b	093751	*	Protettore	Protector	
52c	093752	*	Condensatore di avviamento	Start capacitor	
53	099872	541714500	Gommino per compressore	Rubber compressor	
54	093333	830R04900	Condensatore 4R 11T	Condenser 4R 11T	
54A	092360	646R09400	Sonda condensatore	Probe condenser	
55	089697	511708800	Ventola 230-31 (elco)	Ventola 230-31(elco)	
55	089697	511708800	Ventola 230-31 (elco)	Ventola 230-31(elco)	v,w,x up to 2021/37
55	093365	511R01000	Ventola 230-34 (ebm)	Ventola 230-34 (ebm)	v,w,x from 2021/38
56	089755	546709500	Protezione ventola	Fan protection	
57	096537	515R13200	Serpentina evap. acqua di condensa	Evaporation water pipe	Up to 2021/37
57	095075	515R21201	Serpentina evap. acqua di condensa	Evaporation water pipe	From 2021/38
58	093260	543R09300	Fissaggio serpentina	Stopper pipe	
59	096995	682R14200	Ventilatore condensatore (elco)	Condenser fan (elco)	

Pos	Spare parts code	Factory code	Descrizione	Description	Ref - Note
59	096482	682R12700	Ventilatore condensatore (EBM)	Condenser fan (EBM)	v,w,x
59a	097055	635R37900	Cablaggio ventilatore	Fan wiring	Glass door
59b	096660	504R15800	Lamiera protezione ventola	Fan condenser protection	Glass door
60	093462	858R06800	Scambiatore	Heat exchanger	Up to 2021/37
60	094846	858R15000	Scambiatore	Heat exchanger	From 2021/38
61	084078	805729802	Filtro	Dehydrator filter	
62	0A8171	A02021800	Valvola per compressore	Compressor valve (charge or disch.)	
63	093335	830R04001	Evaporatore 3R 8T	Evaporator 3R 8T	Up to 30/2015
63	094576	830R10600	Evaporatore 3R 8T	Evaporator 3R 8T	From 31/2015 a,b,d,e,f,g,i,l,m n,o,p,q,r,s,t,u
63	093323	830R03902	Evaporatore 2R 8T	Evaporator 2R 8T	From 31/2015 c,h
64	093278	833R21201	Vaschetta evaporatore	Evaporator tray	
64c	093409	548R07200	Isolante per vaschetta evaporatore	Insulation for evaporator tray	
65	093417	682R06100	Ventilatore evaporatore (MES)	Evaporator fan (MES)	Up to 3191...
65	093410	682R06500	Ventilatore evaporatore (EBM)	Evaporator fan (EBM)	From 3201... Up to 5051...
65	094487	682R08700	Ventilatore evaporatore (EBM)	Evaporator fan (EBM)	From 5061... Up to 2021/37
65	097000	682R02C00	Ventilatore evaporatore (FIME)	Evaporator fan (FIME)	2 pieces From 2021/38
65	097000	682R02C00	Ventilatore evaporatore (FIME)	Evaporator fan (FIME)	v,w,x - 2 pieces
65a	093411	511R01100	Ventola EBM	Fan EBM	Up to 2021/27
66	093412	514R12300	Griglia ebm rilsan	Fan support (EBM)	Up to 2021/37
66	093326	502R52400	Staffa ventilatore	Fan support	From 2021/38
67	092174	646R06800	Sonda cella	Cell probe	
68	093347	617R06201	Resistenza con termostati 3-4R 400W	Heating element with thermostat	Up to 2021/37
68		617R25500	Resistenza con termostati 3-4R 400W	Heating element with thermostat	From 2021/38
69	093487	514R11601	Molla per fissaggio termostati	Thermostat spring	
70	093516	514R11200	Molla per fissaggio resistenza 3R	Heating element spring 3R	
71	093848	648R06300	Rele' FINDER 66.82.8.230.0001	Relay FINDER 66.82.8.230.0001	
71a	093776	648R05300	Varistore Elco	Varistor ELCO	
71b	093775	648R05700	Dissipatore OPTO 22	Electrical heat exchanger	
72	093314	501R44803	Convogliatore evaporatore 2 fori	Evaporator conveyor	Up to 19/2013
72	094168	501R71901	Convogliatore evaporatore	Evaporator conveyor	From 20/2013 a,b,d,e,f,g,i,l,m n,o,p,q,r,s,t,u Up to 2021/37
72	093314	501R44803	Convogliatore evaporatore 2 fori	Evaporator conveyor	From 2021/38
72	093294	501R44003	Convogliatore evaporatore	Evaporator conveyor	From 20/2013 c,h
73	093528	639R09900	Morsettiera	Clamp	
74	093261	835R24101	Assieme Calotta	Evaporator cover	Up to 6181
74	*	835R47601	Assieme Calotta	Evaporator cover	From 6191
75	093262	14701r003	Neoprene espanso 8x13,3 nero (M4)	Gasket cover (neoprene 8x13,3)	
76	093245	217555204	Vite senza punta x plastica	Cover screw	
77	093263	546R19702	Tamponcino per tubi	Pipe cover insulation	
78	094425	546R26501	Copertura scatola impianto elettrico	Wiring box cover	Glass door always

Pos	Spare parts code	Factory code	Descrizione	Description	Ref - Note
78	094425	546R26501	Copertura scatola impianto elettrico	Wiring box cover	Full door up to 2021/37
78a	093976	546R26701	Scatola impianto elettrico	Wiring box	Glass door always
78a	093976	546R26701	Scatola impianto elettrico	Wiring box	Full door up to 2021/37
79	096636	694R00502	Filtro antidisturbo	Electrical filter	a,b,c,f,g,h,i,l,m,n,o,q,r,t,u
80	093415	617R07801	Resistenza scarico condensa	Drain heating	
81	093371	646R10900	Sonda ambiente	Ambient probe	
82	094451	546R26800	Basamento gruppo	Basement	Not for remote
83	084987	694700800	Filtro proc.	Filter proc.	d,e
84	099991	638700602	Cavo di alimentazione SCHUKO	SCHUKO supply cable	a,b,c,f,g,h,p,o,q,r,t,u
84	094423	A02060702	Cavo di alimentazione SCHUKO	SCHUKO supply cable	d,e,s
99	093591	880R51905	Cruscotto senza mascherina A304	Panel without template A304	a,b,c,f,g,h,i,l,m,n,o,p,q,r,t,u Up to 2021/37
99		883R30701	Cruscotto senza mascherina A304 BT	Panel without template A304 BT	a,b,f,g,h,m,n,o,p,q,r,t,u From 2021/38
99		883R31401	Cruscotto senza mascherina A304 BT GEWISS	Panel without template A304 BT GEWISS	i,l From 2021/38
99		883R31501	Cruscotto senza mascherina A304 BT UK	Panel without template A304 BT UK	c From 2021/38
99		880R61107	Cruscotto senza masch. aisi 304 PV	Panel without template aisi 304 GL	d,e,s
99		883R04202	Cruscotto senza masch. aisi 304 PV	Panel without template aisi 304 GL	v,w,x
100	093525	509R13404	Cruscotto comandi	Panel 304 AISI	Up to 2021/37
100		509R25001	Cruscotto comandi	Panel 304 AISI	From 2021/38
100	096187	509R25000	Cruscotto comandi	Panel 304 AISI	v,w,x up to 2021/37
100		509R25001	Cruscotto comandi	Panel 304 AISI	v,w,x from 2021/38
102	093609	832R10100	Cerniera per cruscotto dx	Hinge for panel (right)	
102a	093610	832R10200	Cerniera per cruscotto sx	Hinge for panel (left)	
103	093345	833R20900	Serratura	Latch	
104	093383	855R11101	Ass.mascherina porta/cruscotto Elux	Complete template door and panel	a,c,d,f,h,i,l,o
104	093385	855R11300	Ass.mascherina porta/cruscotto Apx	Complete template door and panel	b,e,g,m,n,u
104	093384	855R11200	Ass.mascherina porta/cruscotto ZAN	Complete template door and panel	p,q,r,s,t
105	093437	646R10601	Termoregolatore ir33 premium pc	Thermoregulator premium	To be set
106	094389	501R37403	Protezione	Protection led-lamp	Up to 2021/43
106	097245	504R35000	Protezione	Protection	From 2021/44
107	093386	546R19501	Supporto scheda led	Support led-lamp	
108	093387	546R19600	Protezione scheda led	Protection led-lamp	
109	093388	648R05500	Scheda led depotenziata	Led-lamp board	
110	093390	569R05900	Guarnizione per scheda led	Ledlamp board gasket	
111	093269	541R05401	Tappo per cerniera porta	Door hinge plug	
112	093391	639R10400	Morsetto	Clamp	
113	*	855R10200	Ass. mascherina cruscotto Elux	Assembled template panel Elux	a,c,d,f,h,i,l,o
113	*	855R10400	Ass. mascherina cruscotto Apx	Assembled template panel Apx	b,e,g,m,n,u

Pos	Spare parts code	Factory code	Descrizione	Description	Ref - Note
113		855R10300	Ass. mascherina cruscotto ZAN	Assembled template panel ZAN	p,q,r,s,t
114	*	546R20000	Cornice mascherina cruscotto Elux	Template frame for panel Elux	a,c,d,f,h,i,l,o
114	*	546R20100	Cornice mascherina cruscotto Z/Apx	Template frame for panel ZAN/Apx	b,e,g,m,n,p,q,r,s,t,u
115	*	855R10500	Ass. mascherina porta Elux	Assembled template door Elux	a,c,d,f,h,i,l,o
115	*	855R10700	Ass. mascherina porta Apx	Assembled template door Apx	b,e,g,m,n,u
115	*	855R10600	Ass. mascherina porta ZAN	Assembled template door ZAN	p,q,r,s,t
116	*	546R20200	Cornice mascherina porta Elux	Control door frame Elux	a,c,d,f,h,i,l,o
116	*	546R20300	Cornice mascherina porta Z/Apx	Control door frame Z/Apx	b,e,g,m,n,p,q,r,s,t,u
*	093491	217541085	Vite per fissaggio mascherina M3x8	Screws M3X8 for control door/panel	b,c,e,f,g,h,i,l,m,o,t
117	*	639R06800	Connettore dritto 3 vie	Connector 3 ways right	
117	*	639R06900	Connettore dritto 7 vie	Connector 7 ways right	
117	099740	*	Connettore 90° 7 vie	Connector 7 ways 90°	
117	099741	*	Connettore 90° 5 vie	Connector 5 ways 90°	
117	088998	*	Connettore 90° 3 vie	Connector 3 ways 90°	
117	099743	*	Connettore 90° 3 vie piccolo	Connector 3 ways 90° small	
117	099742	*	Connettore 90° 2 vie	Connector 2 ways 90°	
117	091682	*	Connettore 90° 4 vie	Connector 4 ways 90°	
117	091684	*	Connettore 90° 5 vie	Connector 5 ways 90°	
*	093180	639R09600	Convertitore spina UK	UK plug converter	c,h,m,n
118	093270	624R01400	Alimentatore	Light power	d,e,s up to 2021/37
118	096179	648R11300	Alimentatore	Light power	v,w,x up to 2021/37
118	097052	648R11700	Alimentatore	Light power	d,e,s,v,w,x from 2021/38