



CABINETS PREMIUM Dual temperature R290

| PNC | En.Ch. | Model | Ref. | Page |
|--------|--------|--|------|---------|
| 727318 | 14/21 | FV Dual 1/2 doors -2°/-2°C R290 Dig A304 Elux | a | 2, 3, 4 |
| 727386 | 14/22 | FV Dual 1/2 doors -2°/-2°C R290 Dig A304 Elux UK | c | 2, 3, 4 |
| 728691 | 14/21 | FV Dual 1/2 doors -2°/-2°C R290 Dig A304 Apx | b | 2, 3, 4 |
| 728737 | 11/19 | FV Dual 1/2 doors -2°/-2°C R290 Dig A304 Elux UK | d | 2, 3, 4 |

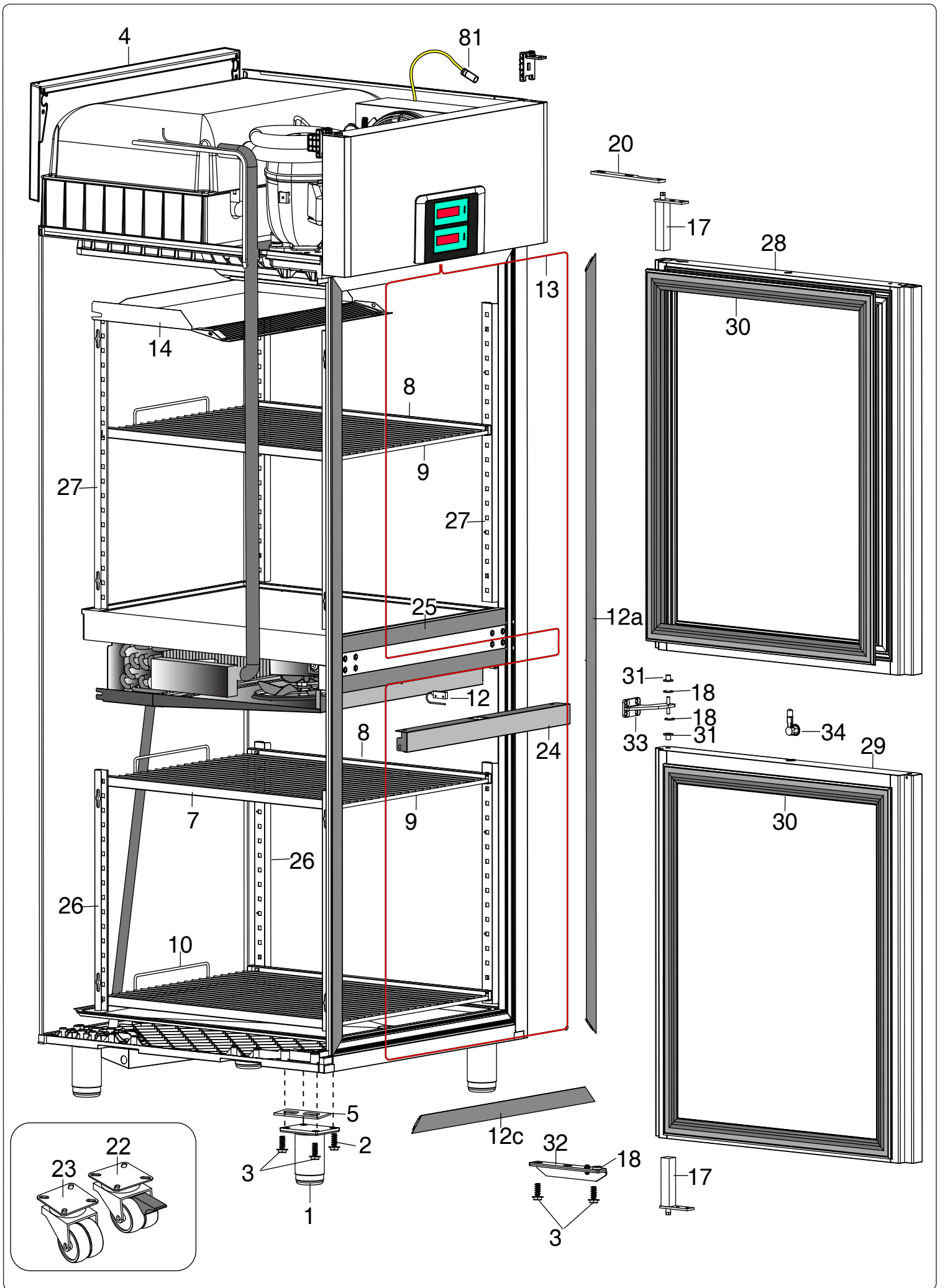
Note: per la corretta identificazione dei componenti, attenersi esclusivamente alle pagine indicate e alla lettera di riferimento.

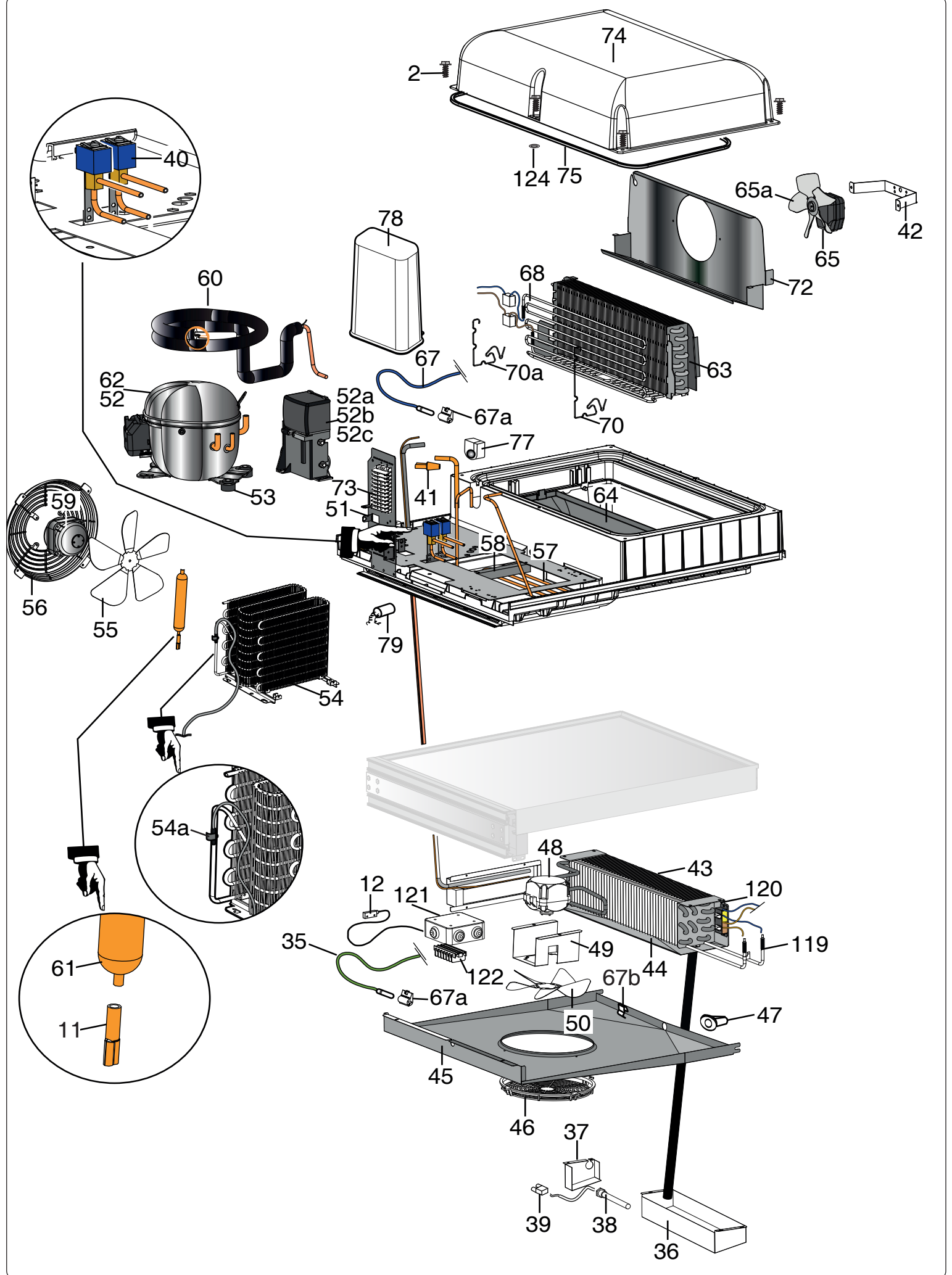
Note: for the correct identification of the components, follow the indicated pages and the reference letter

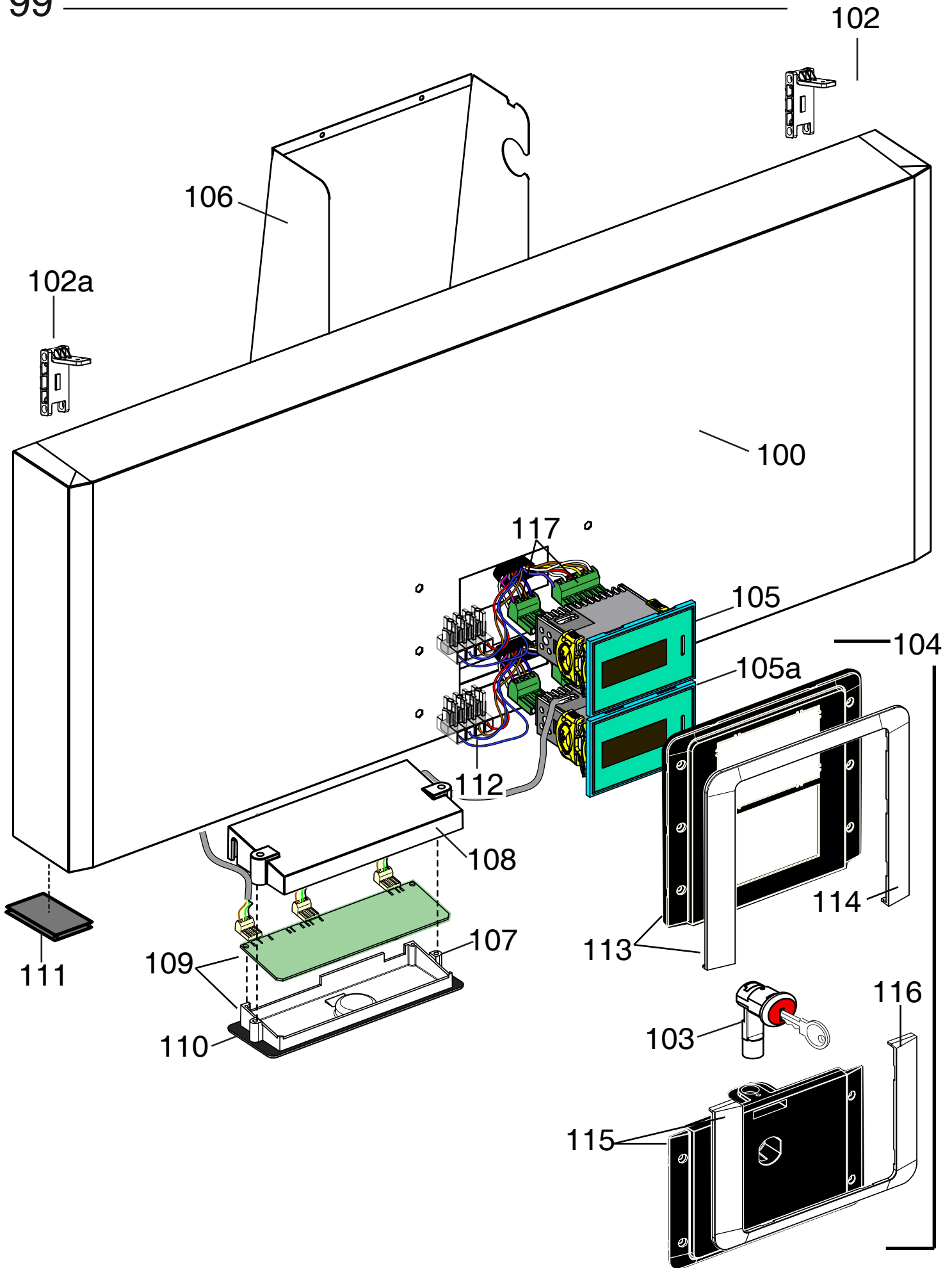
Note:

From October 2012 the component on page 6 (pos.60) has been updated
From March 2013 the components on page 6 (pos.65-65a) have been updated
From November 2014 the components on pages 5-6 (pos.40-48) have been updated

| Pag. | Index | Indice |
|---------|-----------------------|---------------------|
| 2 | Cabinet and door | Armadio e porta |
| 3 | Cooling unit assembly | Gruppo refrigerante |
| 4 | Control panel | Pannello comandi |
| 5,6,7,8 | Spare parts list | Lista ricambi |







| | | | | | | | | | | | | | |
|------------|-------------|------------|-------------|------------|-------------|------------|-------------|------------|-------------|------------|-------------|------------|-------------|
| PNC | Ref. | PNC | Ref. | PNC | Ref. | PNC | Ref. | PNC | Ref. | PNC | Ref. | PNC | Ref. |
| 727318 | a | 728691 | b | 727386 | c | 728737 | d | | | | | | |

| Pos | Spare parts code | Factory code | Descrizione | Description | Ref - Note |
|------------|-------------------------|---------------------|---|---|----------------------|
| 1 | 093243 | 541R05001 | Piedino | Foot | |
| 2 | 090144 | 514747100 | Vite per plastica per piedino | Screw (use by fix foot) | |
| 3 | 093246 | 518708601 | Vite M8x20 per fiss. staffa sup/inf | Screw M8X20 (use by fix bracket) | |
| 4 | 093247 | 502R17400 | Staffa supporto fianchi | Side support | |
| 5 | 093248 | 546R22800 | Distanziale per piede | Foot spacer | |
| 7 | 093358 | 501R48000 | Guida Sx | Left support | |
| 8 | 093359 | 501R48200 | Guida Dx | Right support | |
| 9 | 093252 | 514R10600 | Griglia 2/1 rilsan | Grid 2/1rilsan | a,c,d |
| 9 | 093360 | 514R10700 | Griglia 2/1 aisi 304 | Grid 2/1 aisi 304 | b |
| 10 | 093253 | 514R12200 | Griglia di fondo rilsan | Bottom grid rilsan | a,c,d |
| 10 | 093296 | 514R12100 | Griglia di fondo aisi 304 | Bottom grid aisi 304 | b |
| 11 | * | 515R13802 | Raccordo per capillare | Joint capillary | |
| 12 | 092319 | 640R01402 | Micro porta inferiore | Lower door swith | |
| 12a | 093254 | 832R09001 | Cornice orrizzontale | Orrizzontal frame | |
| 12c | 093256 | 832R09300 | Cornice verticale 1/2 porte | Vertical frame 1/2 doors | |
| 13 | 093362 | 617R07300 | Cavo riscaldante cornice 11,34 W | Heating cable frame 11,34 W | |
| 14 | 093460 | 501R56000 | Carter interno | Internal protection | |
| 17 | 082219 | 835704001 | Cerniera porta | Hinge door | |
| 18 | 093517 | 546R23100 | Boccola per porta | Door bush | |
| 20 | 082257 | 505723801 | Staffa superiore porta | Upper stirrup door | |
| 21 | 093269 | 541R05400 | Tappo per cerniere | Hole hinge plug | |
| 22 | 093575 | 835R24900 | Ruota rotante con freno | Brake weel | |
| 23 | 093574 | 835R24800 | Ruota rotante | Weel | |
| 24 | 093582 | 501R46702 | Protezione evap. vano inferiore | Evaporator lower protection | |
| 25 | 093272 | 832R10000 | Cornice per traversa | Support half door frame | |
| 26 | 093363 | 501R51700 | Cremagliera ant./post 1/2 porte | Lower rack 1/2 doors a304 | |
| 27 | 093364 | 501R46100 | Cremagliera ant./post 1/2 porte 304 | Upper rack 1/2 doors a304 | |
| 28 | 093546 | 835R26303 | Ass.1/2 porta superiore a304 | Upper half door a304 | |
| 29 | 093519 | 835R25502 | Ass.1/2 porta inferiore a304 | Lower half door a304 | |
| 30 | 093273 | 548R07101 | Guarnizione magnetica 1/2 porte | Half door gasket | |
| 31 | 093393 | 546R21100 | Boccola per cerniera 1/2 porte | Half door bush | |
| 32 | 093301 | 833R21900 | Ass. cerniera inferiore | Lower hinge assembly | |
| 33 | 093344 | 505R12400 | Cerniera centrale | Central hinge door | |
| 34 | 093433 | 833R21100 | Serratura | Serratura | |
| 35 | 092183 | 646R07800 | Sonda vano inferiore | Lower probe compartement | |
| 36 | 093583 | 501R45802 | Bacinella inferiore | Lower evaporator water basin | |
| 37 | * | 501R58201 | Protezione ptc | PTC protection | |
| 38 | 093533 | 617R06601 | Resistenza ptc 120W | PTC 120 W | |
| 39 | 094750 | 639R12000 | Connettore Maschio 3 vie | Male connector for ptc | |
| 40 | 093435 | 646R10501 | Elettrovalvola 220/23V 50 /60 hz | Solenoid valve 220/23V 50 /60 hz | Up to 4151... |

| | | | | | | | | | | | | | |
|------------|-------------|------------|-------------|------------|-------------|------------|-------------|------------|-------------|------------|-------------|------------|-------------|
| PNC | Ref. | PNC | Ref. | PNC | Ref. | PNC | Ref. | PNC | Ref. | PNC | Ref. | PNC | Ref. |
| 727318 | a | 728691 | b | 727386 | c | 728737 | d | | | | | | |

| Pos | Spare parts code | Factory code | Descrizione | Description | Ref - Note |
|------------|-------------------------|---------------------|---|---|------------------------|
| 40 | 094435 | 646R10502 | Elettrovalvola 220/23V 50 /60 hz | Solenoid valve 220/23V 50 /60 hz | From 4161... |
| 41 | * | 515R19500 | Giunzione per condensatore | Dual way connection for condenser | |
| 42 | 093326 | 501R45101 | Staffa ventilatore Mes | Fan support mes | |
| 43 | * | 830R06102 | Evaporatore vano inferiore 4R 5T | Lower evaporator4R 5T | |
| 44 | 093592 | 501R45902 | Baccinella | Lower basin (evaporator) | |
| 45 | 093440 | 833R21303 | Baccinella/carter raccolta condensa | Condenser water basin/carter evap. | |
| 46 | 091602 | 546R06100 | Griglia protezione ventola | Fan protection | |
| 47 | 091652 | 544R02501 | Tubo di scarico | Discharge pipe | |
| 48 | 093366 | 682R05900 | Ventilatore EBM | Ventilator | Up to 5051... |
| 48 | 094477 | 682R08600 | Ventilatore EBM | Ventilator | From 5061.... |
| 49 | * | 502R17002 | Supporto ventilatore | Fan support | |
| 50 | 093784 | 511R01300 | Ventola 254X34 | Fan 254X34 | |
| 51 | 093332 | 501R41502 | Supporto impianto elettrico | Electrical wiring support | |
| 52 | 093426 | 684R05900 | Compressore (EMT6152U) R290 | Compressor (EMT6152U) R290 | |
| 52a | * | * | Relè avviamento | Start relay | |
| 52b | * | * | Protettore | Protector | |
| 52c | * | * | Condensatore di avviamento | Start capacitor | |
| 53 | 087122 | 518708401 | Fissaggio compressore | Rubber compressor | |
| 54 | 093431 | 830R06600 | Condensatore 5R D4,76 (fili) | Condenser 5R D4,76 (fili) | |
| 54a | 092360 | 646R09400 | Sonda condensatore | Probe condenser | |
| 55 | 089697 | 511708800 | Ventola 230-31 | Ventola 230-31 | |
| 56 | 089755 | 546709500 | Protezione ventola | Fan protection | |
| 57 | 093259 | 515R12700 | Serpentina evap. acqua di conden. | Evaporation water pipe | |
| 58 | 093260 | 543R09300 | Fissaggio serpentina | Stopper pipe | |
| 59 | 093334 | 682R05300 | Ventilatore condensatore (VN 10 20) | Condenser ventialtor (VN 10 20) | |
| 60 | * | 858R10500 | Scambiatore sup | Heat exchanger (upper) | up to 230070.. (2012) |
| 60 | * | 858R07301 | Scambiatore sup | Heat exchanger (upper) | from to 231070..(2012) |
| 61 | 0A9410 | 805734802 | Filtro 2 vie | Dehidrator filter | |
| 62 | 0A8171 | 0A02021800 | Valvola per compressore | Compressor valve (charge or disch.) | |
| 63 | 093323 | 830R03901 | Evaporatore 2R 8T | Evaporator 2R 8T | |
| 64 | 093469 | 833R19201 | Vaschetta evaporatore | Evaporator tray | |
| 65 | 093417 | 682R06100 | Ventilatore evaporatore (mes) | Evaporator fan (mes) | up to 309100.. (2013) |
| 65a | 093418 | 511R05500 | Ventola 150 mes | Fan 150 mes | up to 309100.. (2013) |
| 65 | 093777 | 682R06601 | Ventilatore evaporatore (Fime) | Evaporator fan (Fime) | from 310100.. (2013) |
| 67 | 092173 | 646R06700 | Sonda cella | Cavity probe | |
| 67a | 091061 | 546R07500 | Gabbietta per sonda | Probe protection | |

| | | | | | | | | | | | | | |
|------------|-------------|------------|-------------|------------|-------------|------------|-------------|------------|-------------|------------|-------------|------------|-------------|
| PNC | Ref. | PNC | Ref. | PNC | Ref. | PNC | Ref. | PNC | Ref. | PNC | Ref. | PNC | Ref. |
| 727318 | a | 728691 | b | 727386 | c | 728737 | d | | | | | | |

| Pos | Spare parts code | Factory code | Descrizione | | | | Description | | | | Ref - Note |
|------------|-------------------------|---------------------|-------------------------------------|--|--|--|---------------------------------------|--|--|--|-------------------|
| 67b | 093547 | 514R12900 | Fermo per cavo riscaldante | | | | Stopper/spring for heating cable | | | | |
| 68 | 093327 | 617R06100 | Resistenza con termost. 170w | | | | Heating element with thermostat | | | | |
| 69 | 093487 | 514R11600 | Molla per fissaggio termostati | | | | Thermostat spring | | | | |
| 70 | 093368 | 514R10800 | Molla per fissaggio resistenza 2R | | | | Heating element spring 2R (big) 176mm | | | | |
| 70a | 093353 | 514R12000 | Molla per fissaggio resistenza | | | | Heating element spring (small) 84 mm | | | | |
| 72 | 093294 | 501R44001 | Convogliatore evaporatore 1 fori | | | | Evaporator conveyor one hole 154mm | | | | |
| 73 | 093599 | 639R10000 | Morsettiera | | | | Clamp | | | | |
| 74 | 093261 | 835R24100 | Assieme Calotta | | | | Evaporator cover | | | | Up to 6181 |
| 74 | 095201 | 835R47601 | Assieme Calotta | | | | Evaporator cover | | | | From 6191 |
| * | 095200 | 0881R32401 | Modulo Calotta TN | | | | Evaporator cover Module TN | | | | |
| * | 095202 | 0546R34400 | Staffa per calotta schiumata | | | | Support for foamed Evaporator | | | | |
| 75 | 093262 | 14701R003 | Neoprene espa. 8x13,3 nero (M4) | | | | Gasket cover (neoprene 8x13,3) | | | | |
| 77 | 093263 | 546R19702 | Tamponcino per tubi | | | | Pipe cover insulation | | | | |
| 78 | 093264 | 541R04800 | Copertura impianto elettrico | | | | Wiring cover | | | | |
| 79 | 092257 | 694R00501 | Filtro antidisturbo | | | | Electrical filter | | | | |
| 81 | 093371 | 646R10900 | Sonda ambiente | | | | Ambient probe | | | | |
| 99 | * | 880R59004 | Ass.Cruscotto senza masche. A304 | | | | ASS. Panel without template A304 | | | | |
| 100 | 093525 | 509R13403 | Cruscotto | | | | Panel 304 AISI | | | | |
| 102 | 093609 | 832R10100 | Cerniera per cruscotto dx | | | | Hinge for panel | | | | |
| 102a | 093610 | 832R10200 | Cerniera per cruscotto sx | | | | Hinge for panel | | | | |
| 103 | 093345 | 833R20900 | Serratura | | | | Latch | | | | |
| 104 | 094211 | 855R12000 | Ass.macherina porta/cruscotto Elux | | | | Complete template door and panel | | | | a,c |
| 104 | * | 855R12200 | Ass.macherina porta/cruscotto APX | | | | Complete template door and panel | | | | b,d |
| 105 | 093437 | 646R10601 | Termoregolatore ir33 main | | | | Thermoregulator premium main | | | | To be set |
| 105a | 093439 | 646R11400 | Termoregolatore ir33 slave | | | | Thermoregulator premium slave | | | | To be set |
| 106 | 093295 | 501R37401 | Protezione | | | | Protection led-lamp | | | | |
| 107 | 093386 | 546R19501 | Supporto scheda led | | | | Support led-lamp | | | | |
| 108 | 093387 | 546R19600 | Protezione scheda led | | | | Protection led-lamp | | | | |
| 109 | 093810 | 855R12700 | Ass. scheda led+supp. plastica | | | | Led-lamp board GL + Support | | | | |
| 110 | 093390 | 569R05900 | Guarnizione per scheda led | | | | Ledlamp board gasket | | | | |
| 112 | 093391 | 639R10400 | Morsetto | | | | Clamp | | | | |
| 113 | * | 855R12300 | Ass. mascherina cruscotto Elux | | | | Assembled template panel Elux | | | | a,c |
| 113 | * | 855R12500 | Ass. mascherina cruscotto APX | | | | Assembled template panel APX | | | | b,d |
| 114 | * | 546R20000 | Cornice mascherina cruscotto elux | | | | Template frame for panel Elux | | | | a,c |
| 114 | * | 546R20100 | Cornice mascherina cruscotto Apx | | | | Template frame for panel Elux | | | | d |
| 115 | * | 855R10500 | Ass. mascherina porta Elux | | | | Assembled template door Elux | | | | a,c |
| 115 | * | 855R10700 | Ass. mascherina porta APX | | | | Assembled template door APX | | | | b,d |
| 116 | * | 546R20200 | Cornice mascherina porta Elux | | | | Control door frame Elux | | | | a,c |
| 116 | * | 546R20300 | Cornice mascherina porta Apx | | | | Control door frame Elux | | | | d |
| * | 093491 | 217541085 | Vite per fissaggio mascherina M3x8 | | | | Screws M3X8 for control door/panel | | | | |
| 117 | * | 639R06800 | Connettore dritto 3 vie | | | | Connector 3 ways right | | | | |

| PNC | Ref. | PNC | Ref. | PNC | Ref. | PNC | Ref. | PNC | Ref. | PNC | Ref. | PNC | Ref. |
|--------|------------------|--------------|---------------------------------|--------|------|--------|----------------------------------|-----|------|-----|------------|-----|------|
| 727318 | a | 728691 | b | 727386 | c | 728737 | d | | | | | | |
| Pos | Spare parts code | Factory code | Descrizione | | | | Description | | | | Ref - Note | | |
| 117 | * | 639R06900 | Connettore dritto 7 vie | | | | Connector 7 ways right | | | | | | |
| 117 | 099740 | * | Connettore 90° 7 vie | | | | Connector 7 ways 90° | | | | | | |
| 117 | 099741 | * | Connettore 90° 5 vie | | | | Connector 5 ways 90° | | | | | | |
| 117 | 088998 | * | Connettore 90° 3 vie | | | | Connector 3 ways 90° | | | | | | |
| 117 | 099743 | * | Connettore 90° 3 vie piccolo | | | | Connector 3 ways 90° small | | | | | | |
| 117 | 099742 | * | Connettore 90° 2 vie | | | | Connector 2 ways 90° | | | | | | |
| 117 | 091682 | * | Connettore 90° 4 vie | | | | Connector 4 ways 90° | | | | | | |
| 117 | 091684 | * | Connettore 90° 5 vie | | | | Connector 5 ways 90° | | | | | | |
| * | 093180 | 639R09600 | Convertitore spina UK | | | | UK plug converter | | | | | | |
| 119 | 093421 | 617R06502 | Resistenza vano inferiore evap. | | | | Heating element lower evaporator | | | | | | |
| 120 | * | 501R58101 | Supporto termostati | | | | Thermostat support | | | | | | |
| 121 | 093593 | 639R11600 | Scatola Gewis | | | | Scatola Gewis | | | | | | |
| 122 | 0A9312 | 639712400 | Morsettiera | | | | Clamp | | | | | | |
| 124 | * | 546R23900 | Rondella | | | | Washer | | | | | | |
| | | | | | | | | | | | | | |
| | | | | | | | | | | | | | |