



Thermoregulator  
Negative 1M - 1/2 doors

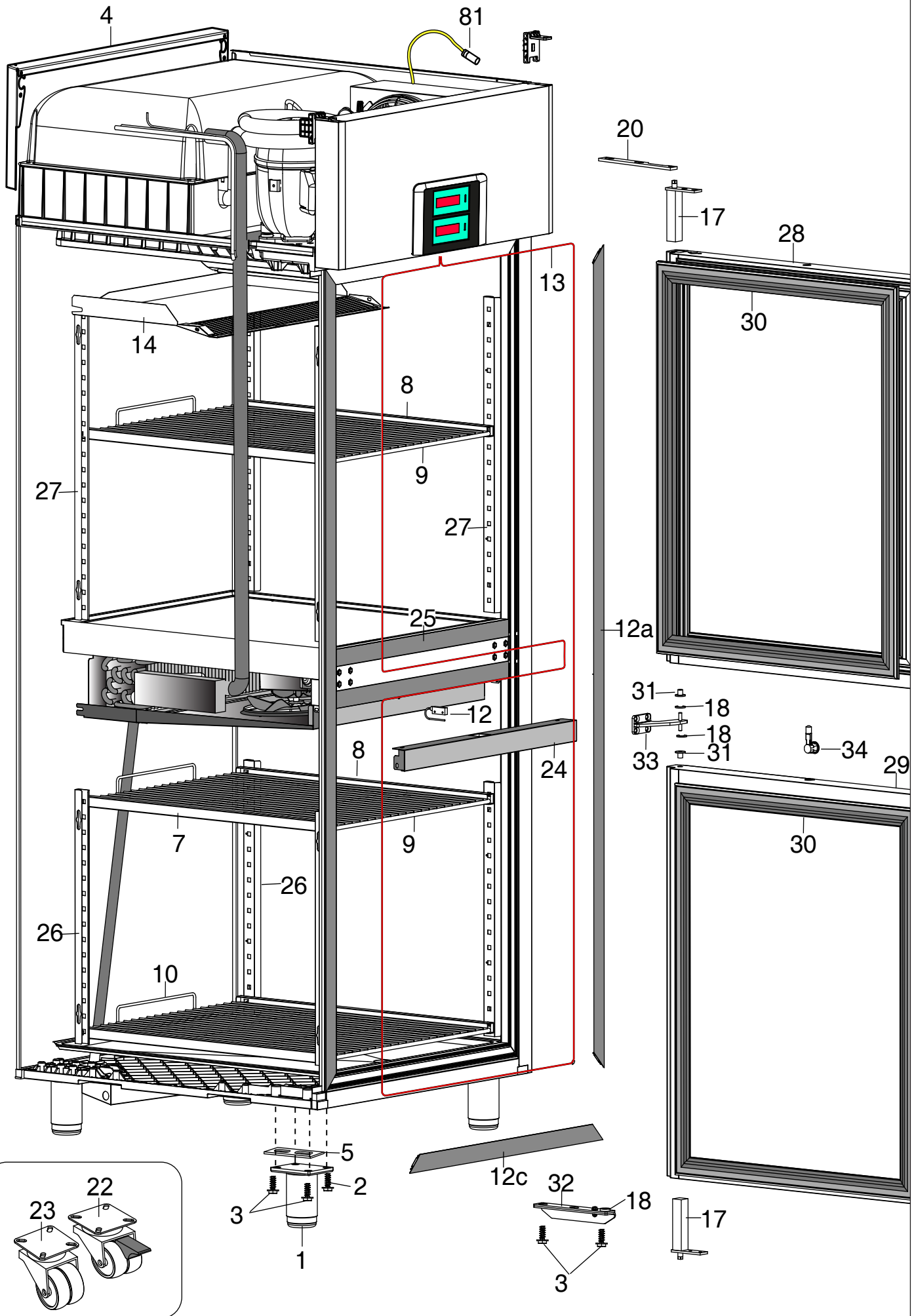
## CABINETS PREMIUM Dual temperature R290

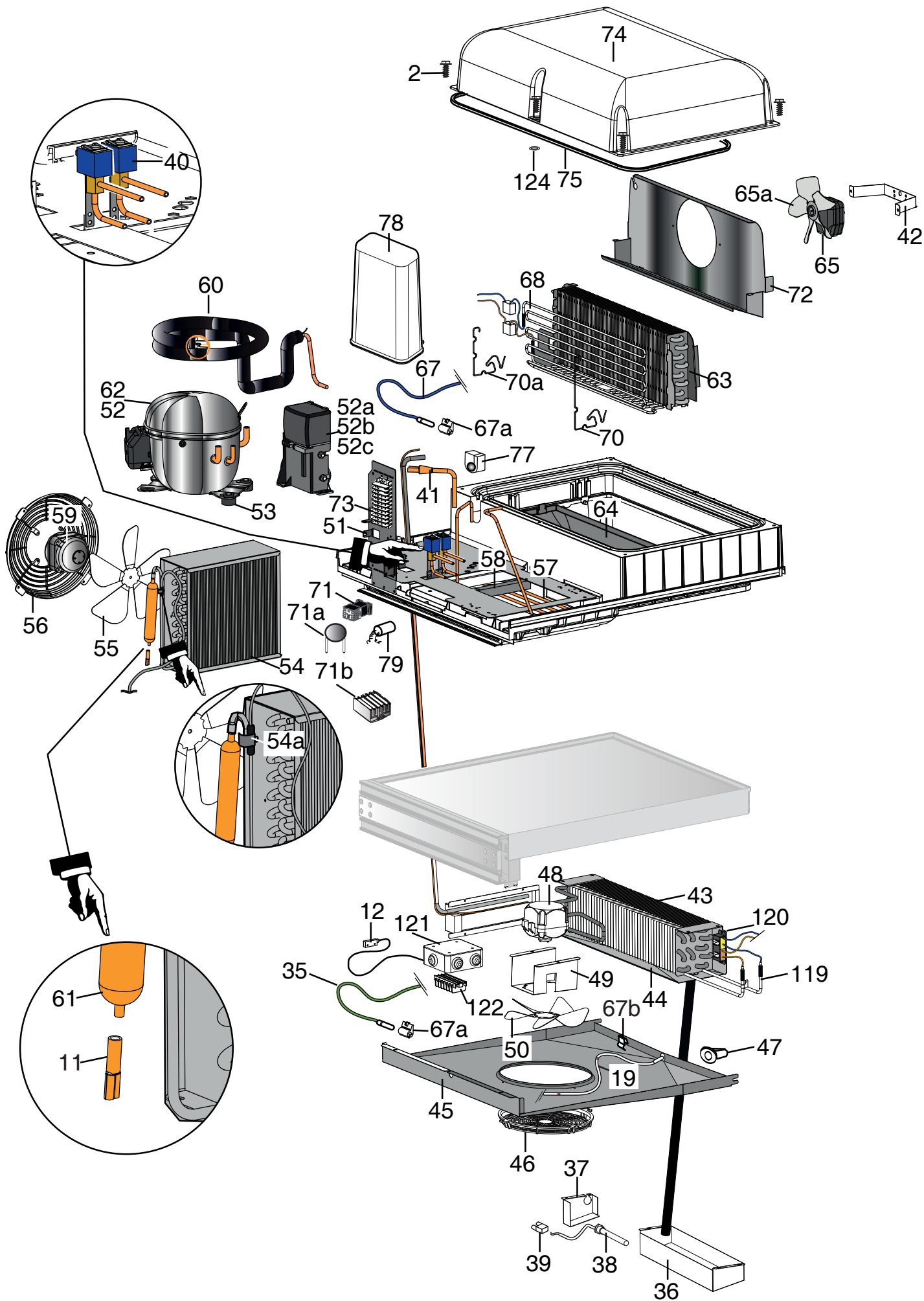
PNC	En.Ch.	Model	Ref.	Page
727319	15/21	FV Dual 1/2 doors -2°/-22°C R290 Dig A304 Elux	a	2, 3, 4
727387	15/22	FV Dual 1/2 doors -2°/-22°C R290 Dig A304 Elux - UK	c	2, 3, 4
727459	16/16	FV Dual 1/2 doors -2°/-22°C R290 Elux MC DONALDS	d	2, 3, 4
728692	15/21	FV Dual 1/2 doors -2°/-22°C R290 Dig A304 Apx	b	2, 3, 4
728738	11/18	FV Dual 1/2 doors -2°/-22°C R290 Dig A304 ALPEN - UK	e	2, 3, 4

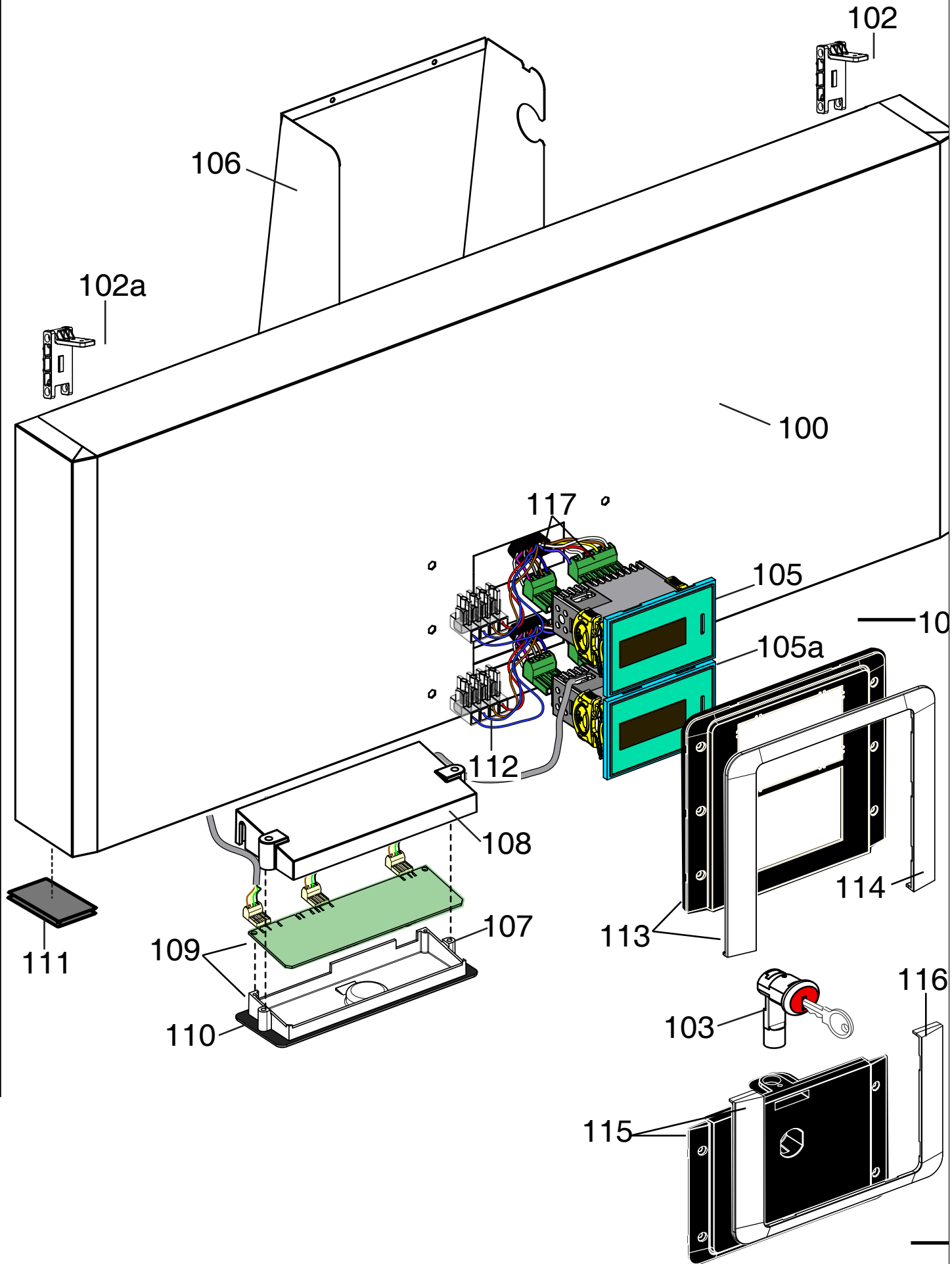
**Note:** per la corretta identificazione dei componenti, attenersi esclusivamente alle pagine indicate e alla lettera di riferimento.

**Note:** for the correct identification of the components, follow the indicated pages and the reference letter.

Pag.	Index	Indice
2	Cabinet and door	Armadio e porta
3	Cooling unit assembly	Gruppo refrigerante
4	Control panel	Pannello comandi
5,6,7,8	Spare parts list	Lista ricambi







PNC	Ref.	PNC	Ref.	PNC	Ref.	PNC	Ref.	PNC	Ref.	PNC	Ref.	PNC	Ref.
727319	a	728692	b	727387	c	727459	d	728738	e				

Pos	Spare parts code	Factory code	Descrizione	Description	Ref - Note
1	093243	541R05001	Piedino	Foot	
2	090144	514747100	Vite per plastica per piedino	Screw ( use by fix foot)	
3	093246	518708601	Vite M8x20 per fiss. staffa sup/inf	Screw M8X20 ( use by fix bracket)	
4	093247	502R17400	Staffa supporto fianchi	Side support	
5	093248	546R22800	Distanziale per piede	Foot spacer	
7	093358	501R48000	Guida Sx	Left support	
8	093359	501R48200	Guida Dx	Right support	
9	093252	514R10600	Griglia 2/1 rilsan	Grid 2/1rilsan	a,c,d,e
9	093360	514R10700	Griglia 2/1 aisi 304	Grid 2/1 aisi 304	b
10	093253	514R12200	Griglia di fondo rilsan	Bottom grid rilsan	a,c,d,e
10	093296	514R12100	Griglia di fondo aisi 304	Bottom grid aisi 304	b
11	*	515R13802	Raccordo per capillare	Joint capillary	
12	092319	640R01402	Micro porta inferiore	Lower door swith	
12a	093254	832R09001	Cornice orrizzontale	Orrizzontal frame	
12c	093256	832R09300	Cornice verticale 1/2 porte	Vertical frame 1/2 doors	
13	093331	617R07500	Cavo riscaldante cornice 28,35 W	Heating cable frame 28,35 W	
14	093460	501R56000	Carter interno	Internal protection	
17	082219	835704001	Cerniera porta	Hinge door	
18	093517	546R23100	Boccola per porta	Door bush	
19	093534	617R07601	Resistenza scarico condensa Low.	Discharge heating element ( lower comp)	
20	082257	505723801	Staffa superiore porta	Upper stirrup door	
21	093269	541R05400	Tappo per cerniere	Hole hinge plug	
22	093575	835R24900	Ruota rotante con freno	Brake weel	c,e
22	087110	835739900	Ruota rotante con freno	Brake weel	d
23	093574	835R24800	Ruota rotante	Weel	c,e
23	087111	835740000	Ruota rotante	Weel	d
24	093582	501R46702	Protezione evap. vano inferiore	Evaporator lower protection	
25	093272	832R10000	Cornice per traversa	Support half door frame	
26	093363	501R51700	Cremagliera ant./post 1/2 porte	Lower rack 1/2 doors a304	
27	093364	501R46100	Cremagliera ant./post 1/2 porte 304	Upper rack 1/2 doors a304	
28	093546	835R26303	Ass.1/2 porta superiore a304	Upper half door a304	
29	093519	835R25502	Ass.1/2 porta inferiore a304	Lower half door a304	
30	093273	548R07101	Guarnizione magnetica 1/2 porte	Half door gasket	
31	093393	546R21100	Boccola per cerniera 1/2 porte	Half door bush	
32	093301	833R21900	Ass. cerniera inferiore	Lower hinge assembly	
33	093344	505R12400	Cerniera centrale	Central hinge door	
34	093433	833R21100	Serratura	Latch	
35	092183	646R07800	Sonda vano inferiore	Lower probe compartement	
36	093583	501R45802	Bacinella inferiore	Lower evaporator water basin	
37	*	501R58201	Protezione ptc	PTC protection	

PNC	Ref.	PNC	Ref.	PNC	Ref.	PNC	Ref.	PNC	Ref.	PNC	Ref.	PNC	Ref.
727319	a	728692	b	727387	c	727459	d	728738	e				
Pos	Spare parts code	Factory code	Descrizione				Description				Ref - Note		
38	093533	617R06601	Resistenza ptc 120W				PTC 120 W						
39	094750	639R12000	Connettore Maschio 3 vie				Male connector for ptc						
<b>40</b>	<b>093435</b>	<b>646R10501</b>	<b>Elettrovalvola 220/23V 50 /60 hz</b>				<b>Solenoid valve 220/23V 50 /60 hz</b>				<b>Up to 4151...</b>		
<b>40</b>	<b>094435</b>	<b>646R10502</b>	<b>Elettrovalvola 220/23V 50 /60 hz</b>				<b>Solenoid valve 220/23V 50 /60 hz</b>				<b>From 4161...</b>		
41	*	515R13601	Giunzione per Scambiatori				Dual way connection for heat exchanger						
42	093326	501R45101	Staffa ventilatore Mes				Fan support mes						
43	095102	830R06102	Evaporatore vano inferiore 4R 5T				Lower evaporator 4R 5T						
44	093592	501R45902	Bacinella				Lower basin (evaporator)						
45	093440	833R21303	Baccinella/carter raccolta condensa				Condenser water basin/carter evap.						
46	091602	546R06100	Griglia protezione ventola				Fan protection						
47	091652	544R02501	Tubo di scarico				Discharge pipe						
<b>48</b>	<b>093366</b>	<b>682R05900</b>	<b>Ventilatore EBM</b>				<b>Ventilator</b>				<b>Up to 5051...</b>		
<b>48</b>	<b>094477</b>	<b>682R08600</b>	<b>Ventilatore EBM</b>				<b>Ventilator</b>				<b>From 5061...</b>		
49	*	502R17002	Supporto ventilatore				Fan support						
50	093783	511R01200	Ventola 200X28				Fan 200X28 ASPETTARE PROG.						
51	093332	501R41503	Supporto impianto elettrico				Electrical wiring support						
52	093422	648R05800	Compressore (NT21700U)220-40/50				Compressor (NT21700U)220-40/50						
52a	*	*	Relè avviamento				Start relay						
52b	*	*	Protettore				Protector						
52c	*	*	Condensatore di avviamento				Start capacitor						
53	099872	541714500	Gommino compressore				Rubber compressor						
54	093333	830R04900	Condensatore 4R 11T (alettato)				Condenser 4R 11T						
54a	092360	646R09400	Sonda condensatore				Probe condenser						
55	089697	511708800	Ventola 230-31				Ventola 230-31						
56	089755	546709500	Protezione ventola				Fan protection						
57	093277	515R13700	Serpentina evap. acqua di conden.				Evaporation water pipe						
58	093260	543R09300	Fissaggio serpentina				Stopper pipe						
59	093334	682R05300	Ventilatore condensatore (VN 10 20)				Condenser ventiator (VN 10 20)						
60	*	858R07300	Scambiatore sup				Heat exchanger (upper)						
61	0A9410	805734802	Filtro 2 vie				Dehidrator filter						
62	0A8171	A02021800	Valvola per compressore				Compressor valve (charge or disch.)						
63	093323	830R03901	Evaporatore 2R 8T				Evaporator 2R 8T						
64	093469	833R19201	Vaschetta evaporatore				Evaporator tray						
65	093417	682R06100	Ventilatore evaporatore (mes)				Evaporator fan (mes)				up to 309100.. (2013)		
65a	093418	541R05500	Ventola 150 mes				Fan 150 mes				up to 309100.. (2013)		

PNC	Ref.	PNC	Ref.	PNC	Ref.	PNC	Ref.	PNC	Ref.	PNC	Ref.	PNC	Ref.
727319	a	728692	b	727387	c	727459	d	728738	e				

Pos	Spare parts code	Factory code	Descrizione	Description	Ref - Note
65	093777	682R06601	Ventilatore evaporatore (Fime)	Evaporator fan (Fime)	from to 310100.. (2013)
67	092173	646R06700	Sonda cella	Cavity probe	
67a	091061	546R07500	Gabbietta per sonda	Probe protection	
67b	093547	514R12900	Fermo per cavo riscaldante	Stopper/spring for heating cable	
68	093327	617R06100	Resistenza con termost. 170w	Heating element with thermostat	
69	093487	514R11600	Molla per fissaggio termostati	Thermostat spring	
70	093368	514R10800	Molla per fissaggio resistenza 2R	Heating element spring 2R (big) 176mm	
70a	093353	514R12000	Molla per fissaggio resistenza	Heating element spring (small) 84 mm	
71	093466	648R05600	Relè OPTO22 COD.240A25	Relay OPTO22 COD.240A25	
71a	093776	648R05300	Varistore ELCO Var 285	Varistor ELCO Var 285	
71b	093775	648R05700	Dissipatore OPTO	Electrical heat exchanger	
72	093294	501R44001	Convogliatore evaporatore 1 fori	Evaporator conveyor one hole 154mm	
73	093599	639R10000	Morsettiera	Clamp	
74	093261	835R24100	Assieme Calotta	Evaporator cover	Up to 6181
<b>74</b>	<b>095201</b>	<b>835R47601</b>	<b>Assieme Calotta</b>	<b>Evaporator cover</b>	<b>From 6191</b>
*	<b>095200</b>	<b>0881R32401</b>	<b>Modulo Calotta TN</b>	<b>Evaporator cover Module TN</b>	
*	<b>095202</b>	<b>0546R34400</b>	<b>Staffa per calotta schiumata</b>	<b>Support for foamed Evaporator</b>	
75	093262	14701R003	Neoprene espa. 8x13,3 nero (M4)	Gasket cover ( neoprene 8x13,3)	
77	093263	546R19702	Tamponcino per tubi	Pipe cover insulation	
78	093264	541R04800	Copertura impianto elettrico	Wiring cover	
79	092257	694R00501	Filtro antidisturbo	Electrical filter	
81	093371	646R10900	Sonda ambiente	Ambient probe	
99	*	880R59004	Ass.Cruscotto senza masche. A304	ASS. Panel without template A304	
100	093525	509R13403	Cruscotto	Panel 304 AISI	
102	093609	832R10100	Cerniera per cruscotto dx	Hinge for panel dx	
102a	093610	832R10200	Cerniera per cruscotto sx	Hinge for panel sx	
103	093345	833R20900	Serratura	Latch	
104	093596	855R11700	Ass.macherina porta/cruscotto Elux	Complete template door and panel	a,c,d
104	093596	855R11900	Ass.macherina porta/cruscotto Apx	Complete template door and panel	b,e
105	093437	646R10601	Termoregolatore ir33 main	Thermoregulator premium main	To be set
105a	093439	646R11400	Termoregolatore ir33 slave	Thermoregulator premium slave	To be set
106	093295	501R37401	Protezione	Protection led-lamp	
107	093386	546R19501	Supporto scheda led	Support led-lamp	
108	093387	546R19600	Protezione scheda led	Protection led-lamp	
109	093810	855R12700	Ass. scheda led+supp. plastica	Led-lamp board GL + Support	
110	093390	569R05900	Guarnizione per scheda led	Ledlamp board gasket	
111	093269	541R05400	Tappo fori cerniera	Plug hinge	

