

Thermoregulator
2M TN

CABINETS PREMIUM

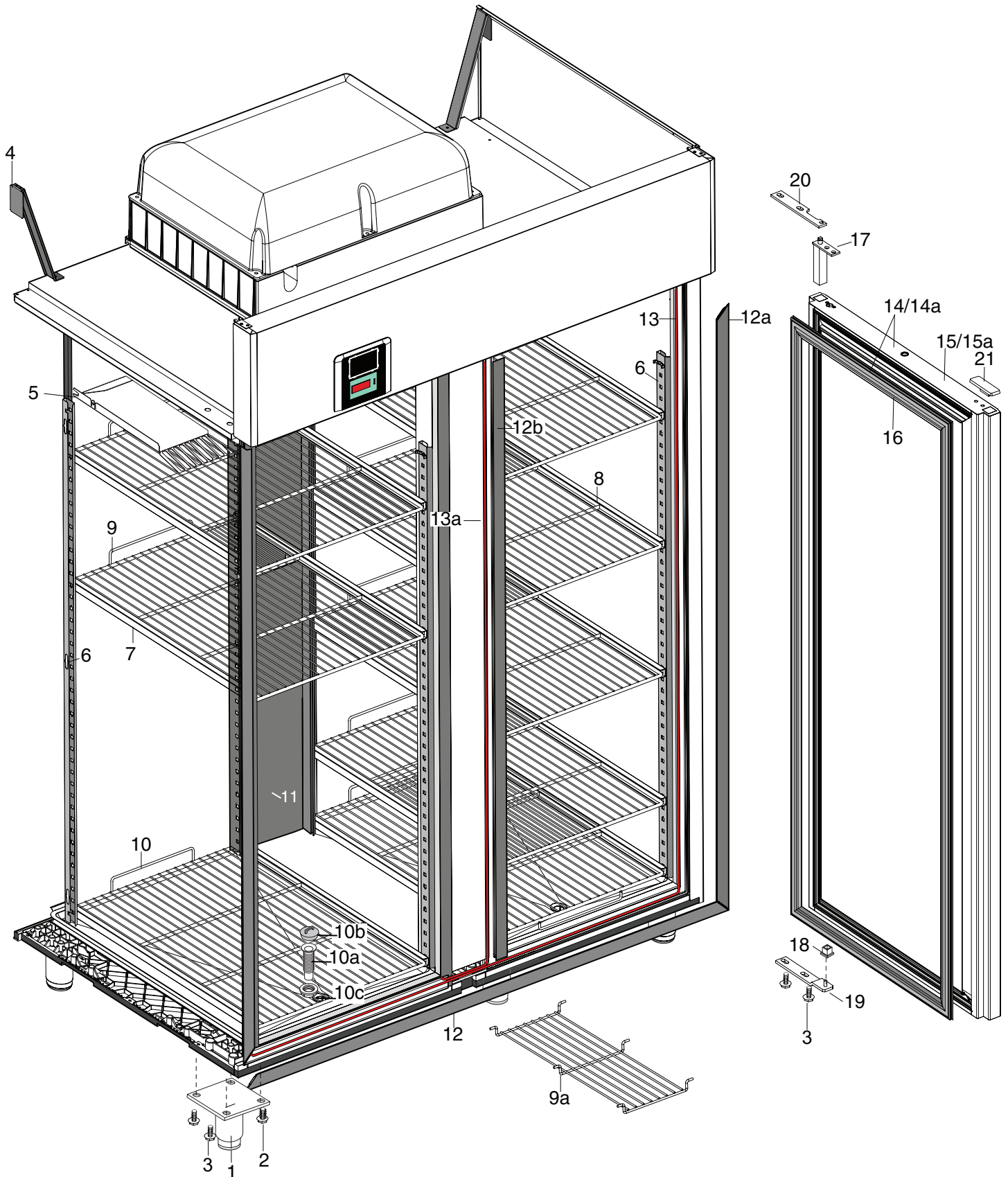
Remote

PNC	Avv.	Model	Ref.	Page
110131	15/15	FV 2M -2/+10 FULL 304/304 REMOTO ZAN	b	2,3,4,5,6,7
190332	00/00	FV 2M -2/+10 REMOTO R404A ALPEN	f	2,3,4,5,6,7
190B6F	00/00	2-DOOR REFRIG 1430L -2/+10°C, DIGIT, REM	g	2,3,4,5,6,7
727264	15/15	FV 2M -2/+10 REMOTO ELUX	a	2,3,4,5,6,7
727350	15/15	FV 2M -2/+10 REMOTO ELUX - UK	d	2,3,4,5,6,7
728654	15/20	FV 2M -2/+10 REMOTO ALPEN	c	2,3,4,5,6,7
728728	10/10	FV 2M -2/+10 REMOTO ALPEN - UK	e	2,3,4,5,6,7

Note: per la corretta identificazione dei componenti, attenersi esclusivamente alle pagine indicate e alla lettera di riferimento.

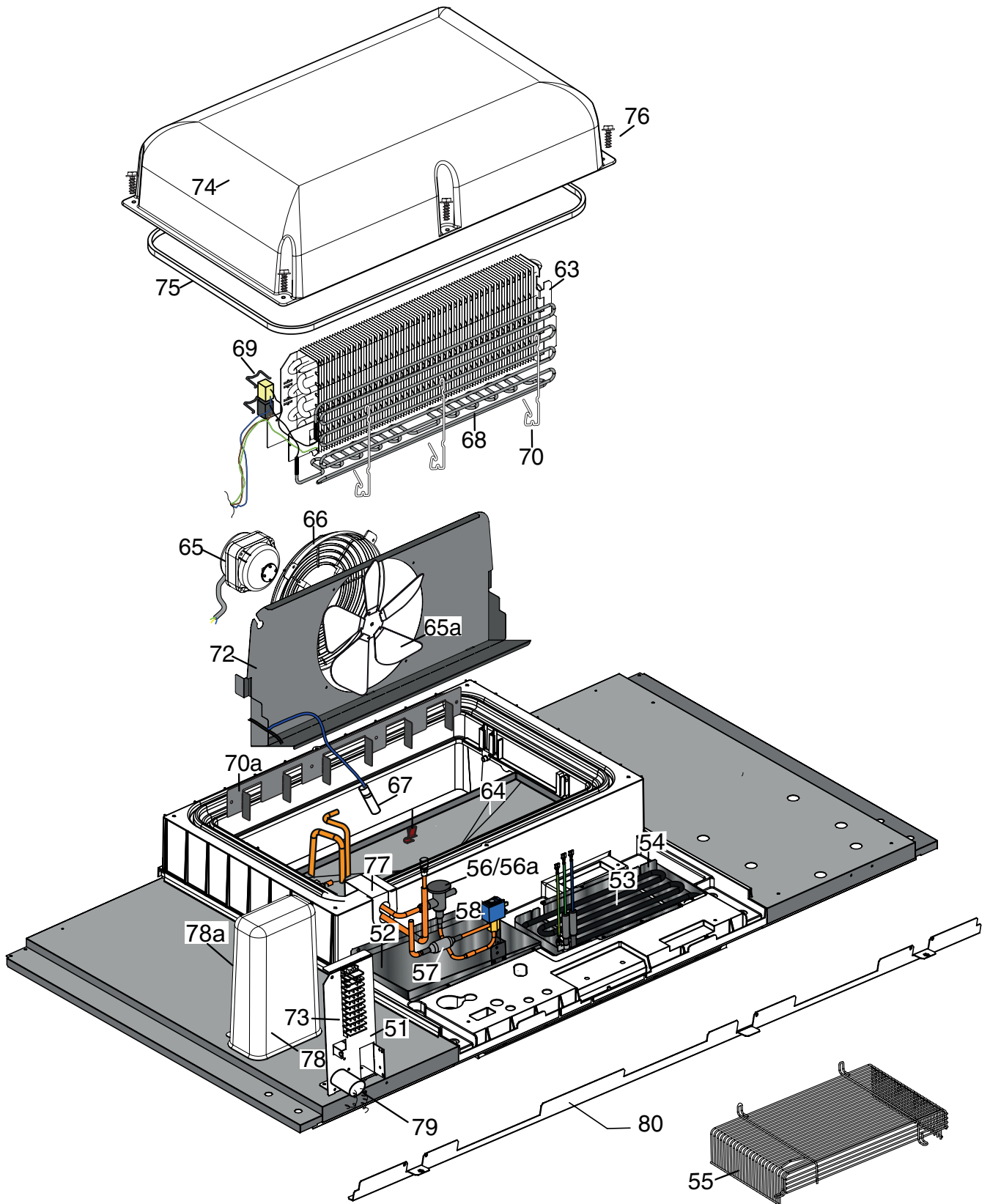
Note: for the correct identification of the components, follow the indicated pages and the reference letter.

Pag.	Index	Indice
2	Cabinet and door	Armadio e porta
3,4	Cooling unit assembly	Gruppo refrigerante
5,6,7	Control panel	Pannello comandi
8-11	Spare parts list	Lista ricambi



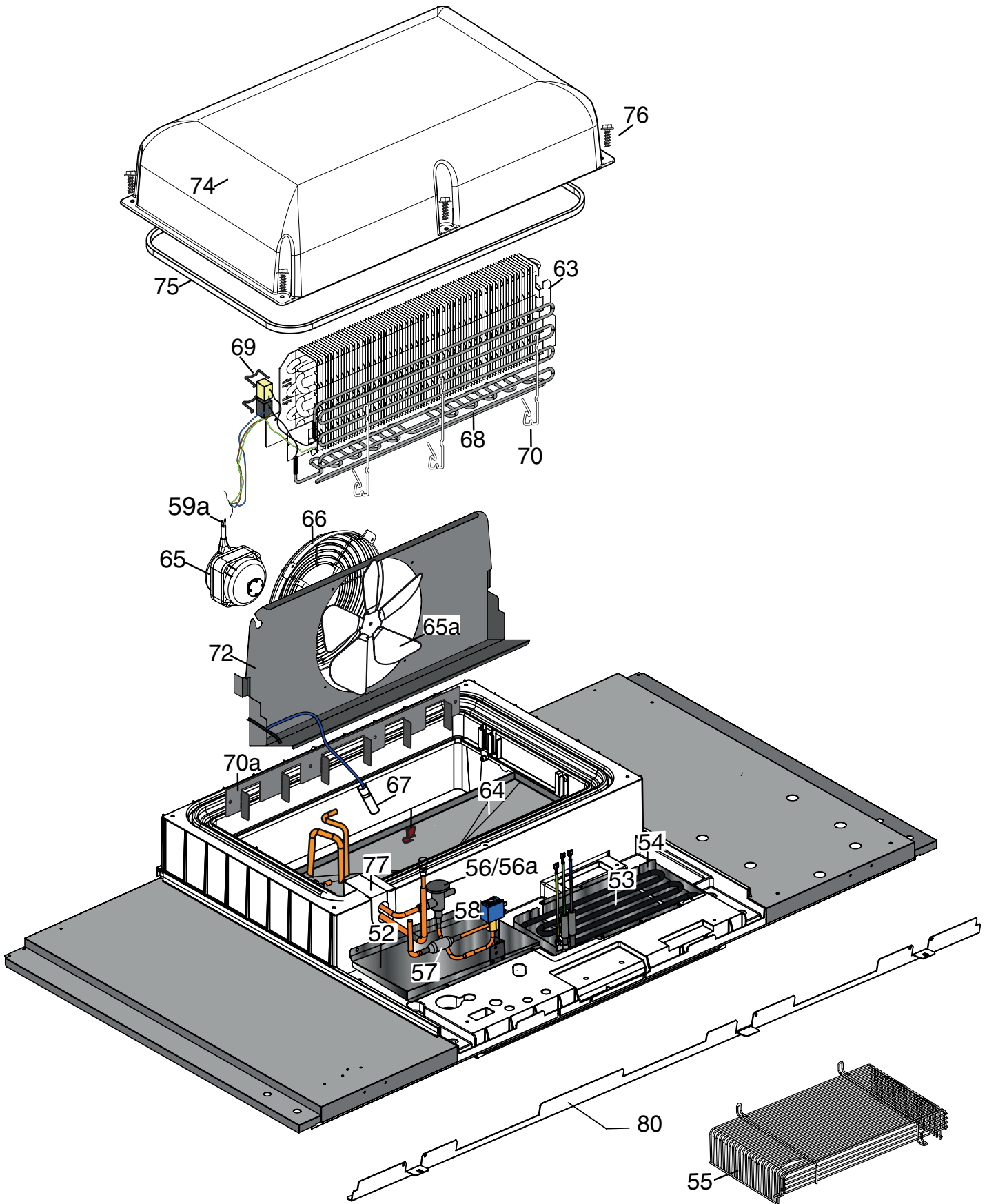
REMOTE COOLING UNIT ASSEMBLY

up to 2021/37

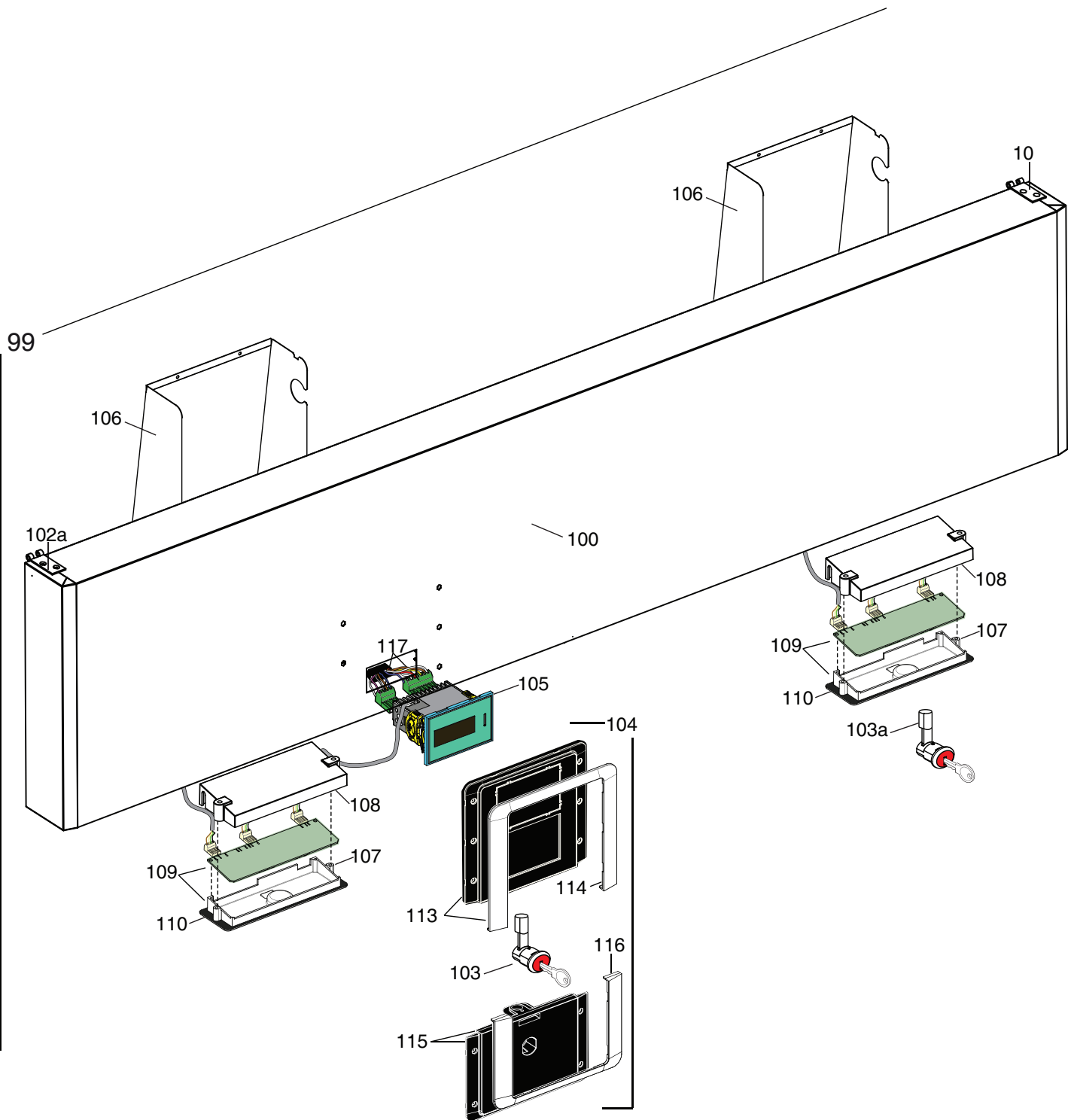


REMOTE COOLING UNIT ASSEMBLY

from 2021/38

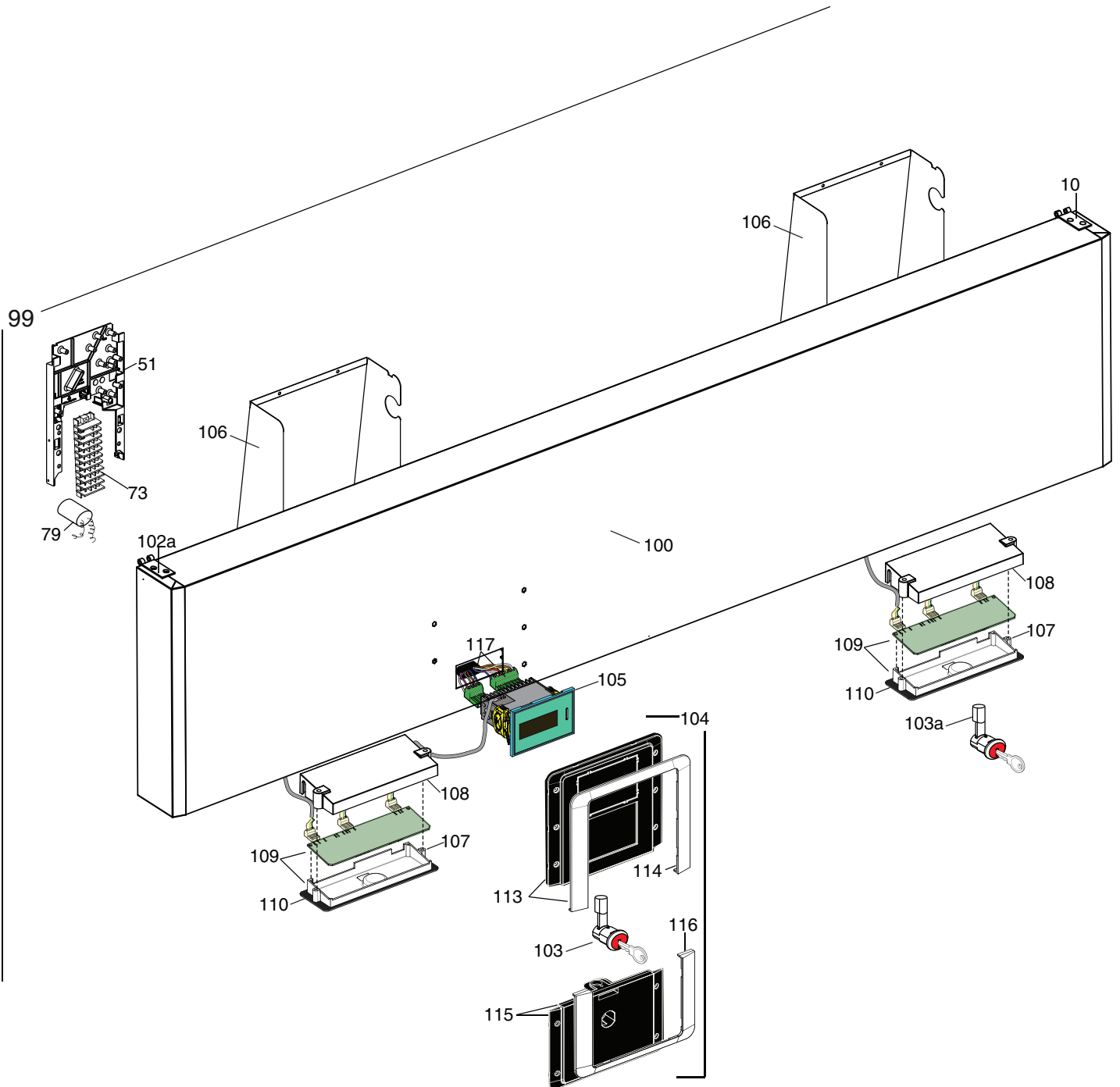


CONTROL PANEL up to 2021/37

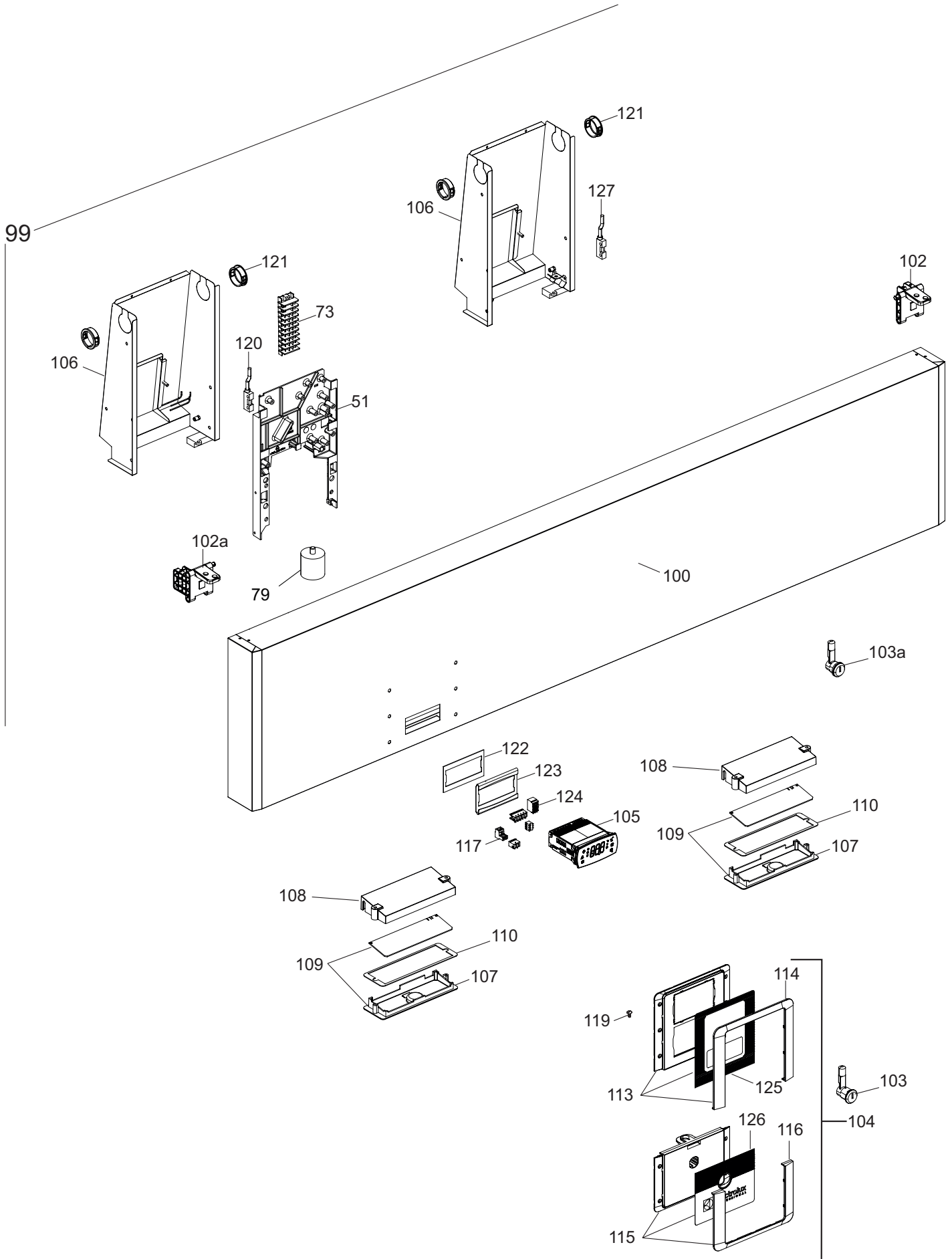


CONTROL PANEL

from 2021/38
up to 2024/17



CONTROL PANEL from 2024/18



PNC	Ref.	PNC	Ref.	PNC	Ref.	PNC	Ref.	PNC	Ref.	PNC	Ref.	PNC	Ref.	PNC	Ref.
727264	a	110131	b	728654	c	727350	d	728728	e	190332	f	190B6F	g		

Pos	Spare parts code	Factory code	Descrizione	Description	Ref - Note
1	093243	541R05001	Piedino	Foot	
2	093245	217555204	Vite per plastica per piedino	Screw (use by fix foot)	
3	093246	518708601	Vite m8x20 per fiss. staffa sup/inf	Screw m8X20 (use by fix bracket)	
4	093394	502R17500	Staffa supporto fianchi	Side support	
5		875R37501	Assieme carter interno	Internal protection assembly	
6	093355	501R36201	Cremagliera anteriore/posteriore	Front and Back Rack	
7	093358	501R48000	Guida Sx	Left support	
8	093359	501R48200	Guida Dx	Right support	
9	093252	514R10600	Griglia 2/1 rilsan	Grid 2/1rilsan	a,b,d,e,g
9	093360	514R10700	Griglia 2/1 aisi 304	Grid 2/1 aisi 304	c till week16/2014
9	081883	514702003	Griglia 2/1 aisi 304	Grid 2/1 aisi 304	c,f from week17/2014
9a	093397	514R11701	Griglia centrale	Central grid rilsan	a,b,d,e,g
9a	093398	514R11801	Griglia centrale 304	Central grid 304	c,f
10	093253	514R12200	Griglia di fondo rilsan	Bottom grid rilsan	a,b,d,e,g
10	093296	514R12100	Griglia di fondo aisi 304	Bottom grid aisi 304	c till week16/2014
10	094231	514R17500	Griglia di fondo aisi 304	Bottom grid aisi 304	c,f from week17/2014
10a	081823	544701300	Piletta di scarico	Drain pipe	up to 235070.. (2012)
10a	093714	546R26000	Piletta di scarico	Drain pipe	from to 236100.. (2012)
10b	085535	545733700	Tappo per piletta	Drain pipe plug	
10c	081797	544701400	Controdado per piletta	Drain pipe nut	
11	093497	501R61700	Supporto centrale post. cremagliere	Central back rack support	
12	093545	832R09202	Cornice orrizzontale	Orrizzontal frame	
12a	093255	832R09101	Cornice verticale	Vertical frame	
12b	093399	832R09401	Cornice verticale montante	Vertical frame central support	
13	093429	617R07201	Cavo riscaldante cornice 11,58 W	Heating cable frame 11,58 W	
13a	093419	617R07001	Cavo riscaldante cornice 6,39W	Heating cable frame 6,39W	
14	093478	835R27209	Porta con guarn. cern.e masch. sx	Gasket, hinge, template and door (left)	
14a	094259	835R27309	Porta con guarnizione e cerniere dx	Gasket, hinge and door (right)	
15	093477	835R27608	Porta sx per mascherina	Door (left) for template	
15a	093587	835R27707	Porta dx	Door (right)	
16	094152	548R08000	Guarnizione porta cieca	Gasket full door	
17	082219	835704001	Cerniera porta	Hinge door	
18	081654	544700601	Boccola per porta	Door bush	
19	093341	833R21600	Staffa inferiore porta	Lower stirrup door	
20	082257	505723801	Staffa superiore porta	Upper stirrup door	
21	093271	541R05301	Tappo per cerniere	Hole hinge plug	
51	*	502R24300	Supporto impianto elettrico	Electrical wiring support	Up to 2021/37
51	097284	546R43401	Supporto impianto elettrico	Electrical wiring support	From 2021/38
52	093607	501R63701	Sgocciolatoio	Drainer	
53	093605	617R07902	Resistenza evaporazione 100W	Water evaporation heating element	Up to 2021/37
53	097289	617R26100	Resistenza evaporazione 100W	Water evaporation heating element	From 2021/38
54	093606	501R63601	Baccinella evaporazione	Water condensation basin	
55	093604	514R13101	Griglia protezione resistenza	Protection grid	
56	087333	646740901	Valvola termostatica (404A)	Thermostatic Valve (404A)	

PNC	Ref.	PNC	Ref.	PNC	Ref.	PNC	Ref.	PNC	Ref.	PNC	Ref.	PNC	Ref.	PNC	Ref.
727264	a	110131	b	728654	c	727350	d	728728	e	190332	f	190B6F	g		

Pos	Spare parts code	Factory code	Descrizione	Description	Ref - Note
56	088501	646751900	Valvola termostatica (R404A)	Thermostatic Valve (R404A)	f
56a	089614	565717600	Isolante per valvola	Valve insulation	
57	090229	525719000	Filtro meccanico a rete	Filter	
58	093435	646R10501	Valvola solenoide	Solenoid valve	Up to 4151...
58	094435	646R10502	Valvola solenoide	Solenoid valve	From 4161...
59a	097055	635R37900	Cablaggio ventilatore	Fan wiring	From 2021/38 up to 2022/15
59a	097055	635R37900	Cablaggio ventilatore	Fan wiring	From 2023/50
63	093430	830R04102	Evaporatore 4R 8T	Evaporator 4R 8T	
63		830R04101	Evaporatore 4R 8T brine system	Evaporator 4R 8T brine system	g
64	093432	833R20801	Vaschetta evaporatore	Evaporator tray	
65	093366	682R05900	Ventilatore evaporatore (ebm)	Evaporator fan (ebm)	Up to 2015/05
65	094477	682R08600	Ventilatore evaporatore (ebm)	Evaporator fan (ebm)	From 2015/06 Up to 2021/37
65	096482	682R12700	Ventilatore evaporatore (ebm)	Evaporator fan (ebm)	From 2021/38 Up to 2022/15
65	096995	684R14200	Ventilatore evaporatore (elco)	Evaporator fan (elco)	From 2022/16 Up to 2023/49
65	096482	682R12700	Ventilatore evaporatore (ebm)	Evaporator fan (ebm)	From 2023/50
65a	093365	511R01000	Ventola	Fan	
65a	093784	511R01300	Ventola 254X34	Fan 254X34	
66	089755	546709500	Griglia evap.	Fan protection	
67	092173	646R06700	Sonda cella	Cell probe	
68	093347	617R06201	Resistenza con termostati	Heating element with thermostat	
69	093487	514R11600	Molla per fissaggio termostati	Thermostat spring	
70	093572	514R11000	Molla per fissaggio resistenza 3R	Heating element spring 3R	
70a	093509	501R40700	Deviatore aria	Carter insulation	
72	093510	501R44101	Convogliatore evaporat. pala 230	Evaporator conveyor	Up to 2014/41
72	094428	502R57901	Convogliatore evaporat. pala 230	Evaporator conveyor	From 2014/42
73	093528	639R09900	Morsettiera	Clamp	
74	093261	835R24101	Assieme Calotta	Evaporator cover	Up to 2016/18
74	*	835R47601	Assieme Calotta	Evaporator cover	From 2016/19
75	093262	14701R003	Neoprene espanso 8x13,3 nero (M4)	Gasket cover (neoprene 8x13,3)	
76	093245	217555204	Vite senza punta x plastica	Cover screw	
77	093614	546R25800	Tamponcino per tubi	Pipe cover insulation	
78	094425	546R26501	Copertura scatola impianto elettrico	Wiring box cover	Up to 2021/37
78	094425	546R26501	Copertura scatola impianto elettrico	Wiring box cover	Always for g
78a	093976	546R26701	Scatola impianto elettrico	Wiring box	Up to 2021/37
78a	093976	546R26701	Scatola impianto elettrico	Wiring box	Always for g
79	096636	694R00502	Filtro antisturbo	Electrical filter	
80	094617	501R49702	Rivestimento anteriore superiore AISI 304	Upper front covering AISI 304	
99	*	880R77807	Cruscotto completo A304	Complete control panel A304	Up to 2021/37
99	*	883R34501	Cruscotto completo A304	Complete control panel A304	From 2021/38 Up to 2024/17 See TB VTX2024-03
99	*	883R96400	Cruscotto completo A304	Complete control panel A304	From 2024/18
100	093501	509R13604	Cruscotto	Panel 304 AISI	Up to 2021/37
100		509R25101	Cruscotto	Panel 304 AISI	From 2021/38
102	093609	832R10100	Cerniera per cruscotto dx	Hinge for panel dx	

PNC	Ref.	PNC	Ref.	PNC	Ref.	PNC	Ref.	PNC	Ref.	PNC	Ref.	PNC	Ref.	PNC	Ref.
727264	a	110131	b	728654	c	727350	d	728728	e	190332	f	190B6F	g		

Pos	Spare parts code	Factory code	Descrizione	Description	Ref - Note
102a	093610	832R10200	Cerniera per cruscotto sx	Hinge for panel sx	
103	093345	833R20900	Serratura	Latch	
103a	093433	833R21100	Serratura	Latch	
104	093380	855R10802	Ass.mascherina porta/cruscotto EPR	Complete template door and panel	a,d,g Up to 2024/17 See TB VTX2024-03
104	09A1PR	855R18700	Ass.mascherina porta/cruscotto EPR	Complete template door and panel	a,d,g From 2024/18
104	093381	855R10900	Ass.mascherina porta/cruscotto ZAN	Complete template door and panel	b Up to 2024/17 See TB VTX2024-03
104	09A1PV	855R19200	Ass.mascherina porta/cruscotto ZAN	Complete template door and panel	b From 2024/18
104	093382	855R11000	Ass.mascher.porta/cruscotto Apx	Complete template door and panel	c,e,f Up to 2024/17 See TB VTX2024-03
104	09A1PT	855R19000	Ass.mascher.porta/cruscotto Apx	Complete template door and panel	c,e,f From 2024/18
105	093437	646R10602	Termoregolatore ir33 premium pc	Thermoregulator premium	To be set Order KIT 09A1RF Up to 2024/17 See TB VTX2024-03
105	09A1NN	855R0BH00	Termoregolatore IJF small	ThermoregulatorIjF small	To be set From 2024/18
106	094389	501R37403	Protezione	Protection led-lamp	Up to 2021/43
106	097245	504R35000	Protezione	Protection led-lamp	From 2021/44 Up to 2024/17 See TB VTX2024-03
106	09A1LI	800R00M00	Protezione termoregolatore	Protection thermoregulator	From 2024/18
107	093386	546R19501	Supporto scheda led	Support led-lamp	
108	093387	546R19600	Protezione scheda led	Protection led-lamp	
109	093809	855R12800	Scheda led 2M+supporto	Led-lamp board GL +support	From 2012/38 Up to 2024/17 See TB VTX2024-03
109	09A1LJ	855R0A000	Scheda led 2M+supporto	Led-lamp board GL +support	From 2024/18
110	093390	569R05900	Guarnizione per scheda led	Ledlamp board gasket	
113	*	855R09900	Ass. mascherina cruscotto EPR	Assembled template panel EPR	a,d,g Up to 2024/17 See TB VTX2024-03
113		855R19500	Ass. mascherina cruscotto EPR	Assembled template panel EPR	a,d,g From 2024/18
113	*	855R10000	Ass. mascherina cruscotto ZAN	Assembled template panel ZAN	b Up to 2024/17 See TB VTX2024-03
113		855R20300	Ass. mascherina cruscotto ZAN	Assembled template panel ZAN	b From 2024/18
113	*	855R10100	Ass. mascherina cruscotto Apx	Assembled template panel Apx	c,e,f Up to 2024/17 See TB VTX2024-03
113		855R19900	Ass. mascherina cruscotto Apx	Assembled template panel Apx	c,e,f From 2024/18

Pos	Spare parts code	Factory code	Descrizione	Description	Ref - Note
114	*	546R20000	Cornice mascherina cruscotto elux	Template frame for panel Elux	a,d,g
114	*	546R20100	Cornice mascherina cruscotto Z/Apx	Template frame for panel Z/Apx	b,c,e,f
115	*	855R10500	Ass. mascherina porta EPR	Assembled template door EPR	a,d,g Up to 2024/17 See TB VTX2024-03
115	*	855R19400	Ass. mascherina porta EPR	Assembled template door EPR	a,d,g From 2024/18
115	*	855R10600	Ass. mascherina porta ZAN	Assembled template door ZAN	b Up to 2024/17 See TB VTX2024-03
115	*	855R20200	Ass. mascherina porta ZAN	Assembled template door ZAN	b From 2024/18
115	*	855R10700	Ass. mascherina porta Apx	Assembled template door Apx	c,e,f Up to 2024/17 See TB VTX2024-03
115	*	855R19800	Ass. mascherina porta Apx	Assembled template door Apx	c,e,f From 2024/18
116	*	546R20200	Cornice mascherina porta Elux	Control door frame Elux	a,d,g
116	*	546R20300	Cornice mascherina porta Z/Apx	Control door frame Z/Apx	b,c,e,f
*	093491	217541085	Vite per fissaggio mascherina M3x8	Screws M3X8 for control door/panel	
117	092663	639R06800	Connettore dritto 3 vie	Connector 3 ways right	
117	092335	639R06900	Connettore dritto 7 vie	Connector 7 ways right	
117	099740	639730200	Connettore 90° 7 vie	Connector 7 ways 90°	
117	099741	639735900	Connettore 90° 5 vie	Connector 5 ways 90°	
117	088998	639722900	Connettore 90° 3 vie	Connector 3 ways 90°	
117	099743	*	Connettore 90° 3 vie piccolo	Connector 3 ways 90° small	
117	099742	639722800	Connettore 90° 2 vie	Connector 2 ways 90°	
117	091682	639R04400	Connettore 90° 4 vie	Connector 4 ways 90°	
117	091684	639R405	Connettore 90° 5 vie	Connector 5 ways 90°	
*	093180	639R09600	Convertitore spina UK	UK plug converter	d,e
119	093491	217541085	Viti M3X8	Screws M3X8 for control door/panel	
120	097073	640R00400	Micro porta	Door microswitch	From 2024/18
121	09A1LH	639739000	Boccola in plastica (Ø32)	Plastic bushing (Ø32)	From 2024/18
122	09A1LF	569R01A00	Guarnizione supporto termoregolatore	Gasket support plate thermoregulator iJF	From 2024/18
123	09A1LC	506R01A00	Piastrina di supporto termoregolatore	Support plate thermoregulator iJF	From 2024/18
124	097578	639R04V00	Connettore 3 vie	Small connector 3 ways	From 2024/18
125		755R18000	Membrana control panel ZAN	Control panel membrane ZAN	From 2024/18
125		755R17400	Membrana control panel EPR	Control panel membrane EPR	From 2024/18
125		755R17700	Membrana control panel APX	Control panel membrane APX	From 2024/18
126		755R17900	Membrana porta ZAN	Door membrane ZAN	From 2024/18
126		755R17300	Membrana porta EPR	Door membrane EPR	From 2024/18
126		755R17600	Membrana porta APX	Door membrane APX	From 2024/18
127		640R00G00	Micro porta destra	Right door swith	From 2024/18