

Thermoregulator
1M - 1/2 doors

CABINETS PREMIUM

Remote *refrigerated*

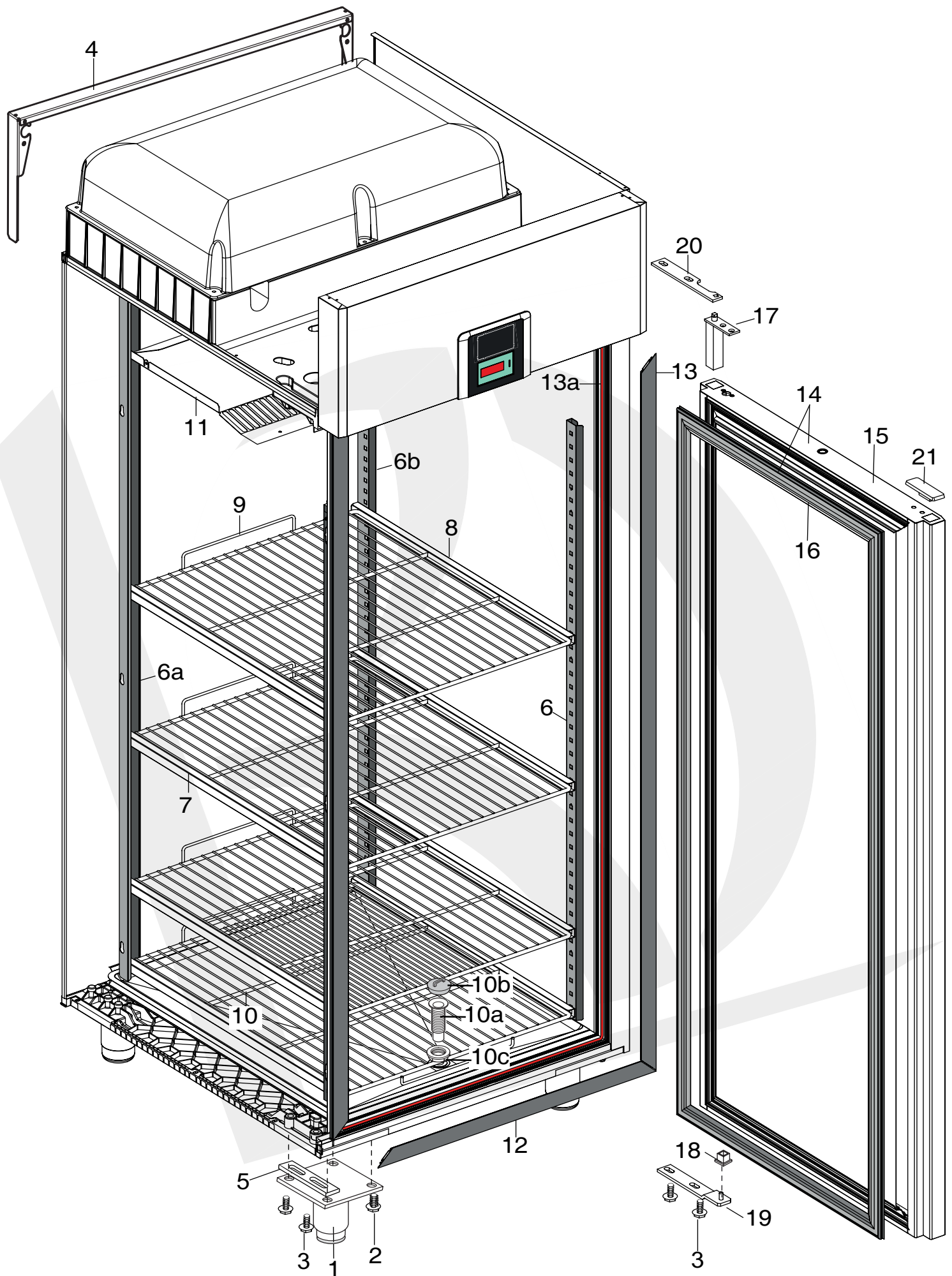
PNC	Avv.Model		Ref.	Page
727251	00/04	1-DOOR REFR 670L -2/+10°C, DIGITAL, REM	a	2, 4, 5
727252	00/04	1/2-DOORS REFR 670L -2/+10°C, DIGITAL, REM	b	3, 4, 5
110118	00/04	1-DOOR REFR 670L -2/+10°C, DIGITAL, REM	c	2, 4, 5
110119	00/04	1/2-DOORS REFR 670L -2/+10°C, DIGITAL, REM	d	3, 4, 5
728645	00/04	1-DOOR REFR 670L -2/+10°C, DIGITAL, REM	e	2, 4, 5
728701	00/04	1/2-DOORS REFR 670L -2/+10°C, DIGITAL, REM	f	3, 4, 5
727340	00/04	1-DOOR REFR 670L -2/+10°C, DIGITAL, REM	g	2, 4, 5
727341	00/04	1/2-DOORS REFR 670L -2/+10°C, DIGITAL, REM	h	3, 4, 5
728718	00/00	1-DOOR REFR 670L -2/+10°C, DIGITAL, REM ALPEN UK	i	2, 4, 5
728719	00/00	1/2-DOORS REFR 670L -2/+10°C, DIGITAL, REM ALPEN UK	l	3, 4, 5

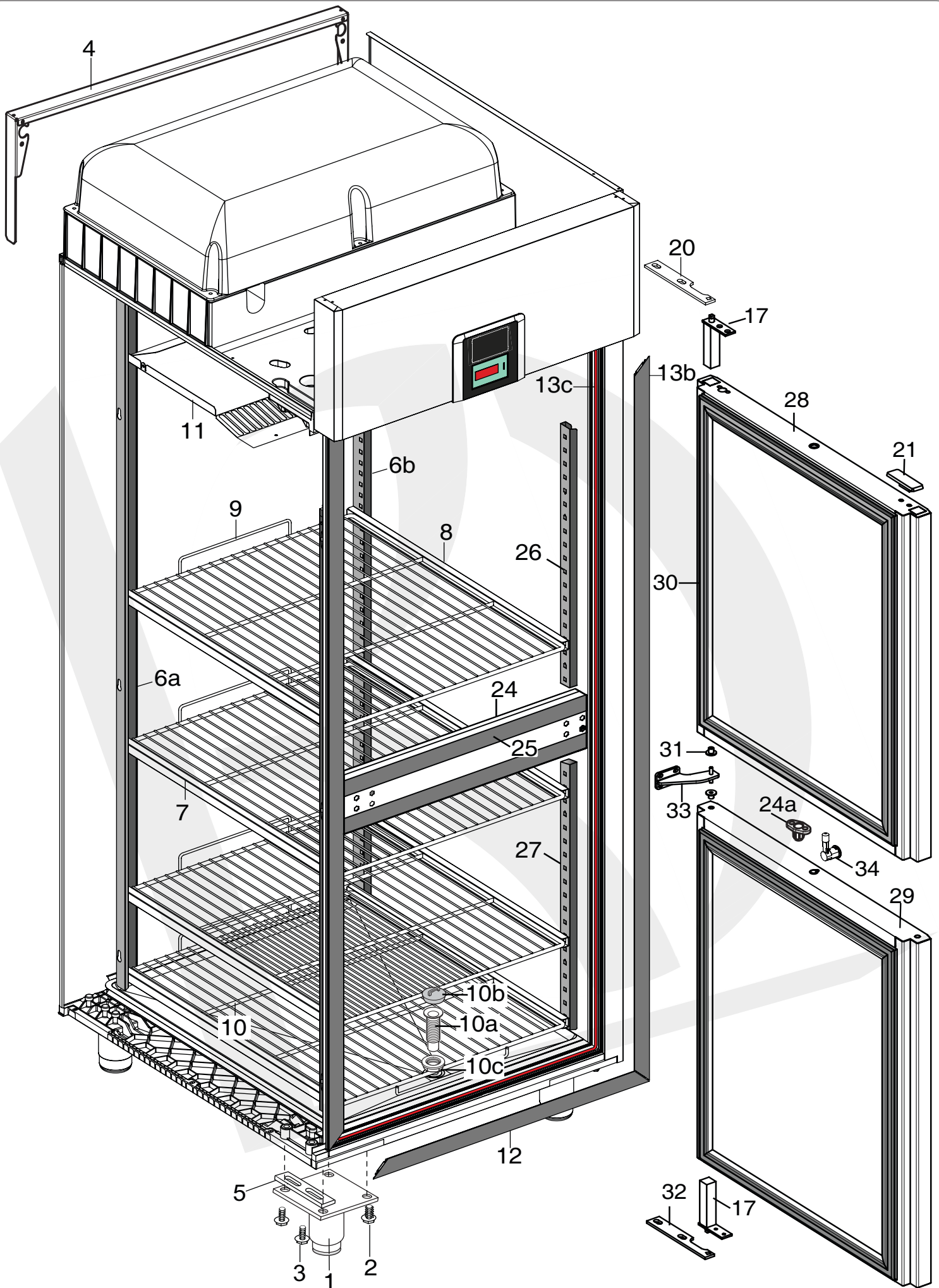
Note: per la corretta identificazione dei componenti, attenersi esclusivamente alle pagine indicate e alla lettera di riferimento.

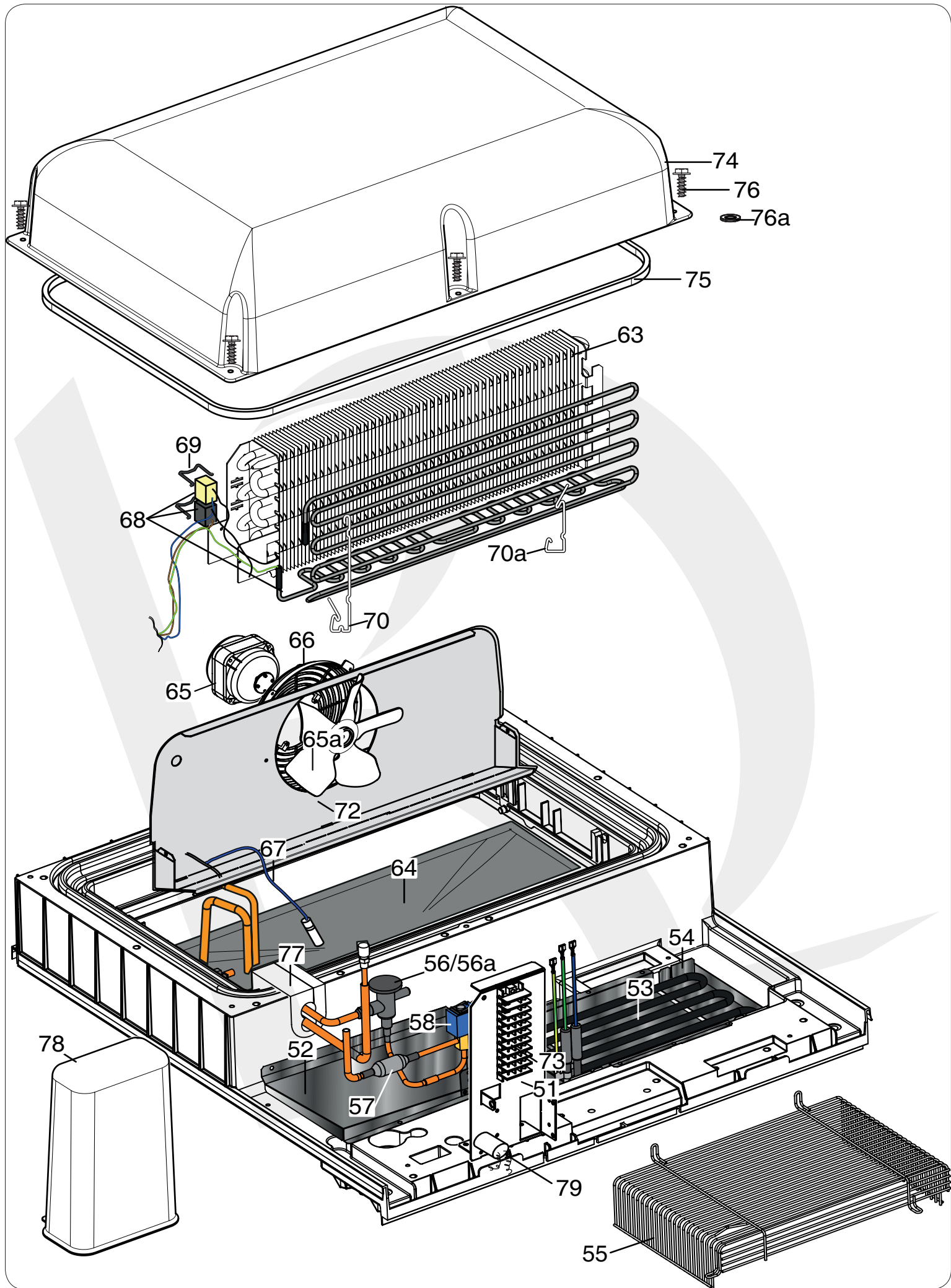
Note: for the correct identification of the components, follow the indicated pages and the reference letter

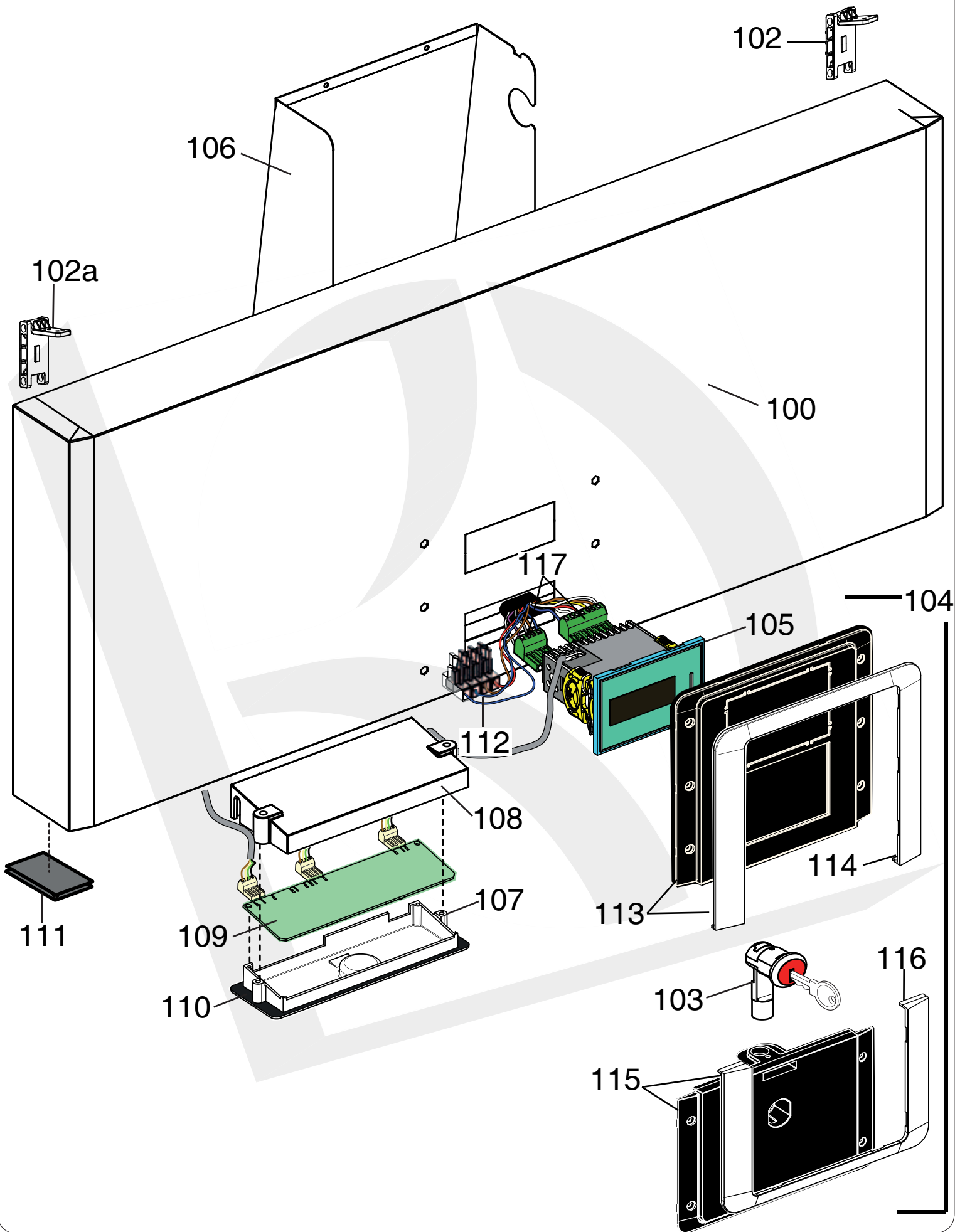
IndexIndice

Pag.	2,3	Cabinet and door	Armadio e porta
	4	Cooling unit assembly	Gruppo refrigerante
	5	Control panel	Pannello comandi
	6,7,8	Spare parts list	Lista ricambi









PNC	Ref.	PNC	Ref.	PNC	Ref.	PNC	Ref.	PNC	Ref.	PNC	Ref.	PNC	Ref.
727251	a	727252	b	110118	c	110119	d	728645	e	728701	f	727340	g
727341	h	728718	i	728718	l								

Pos	Spare parts code	Factory code	Descrizione	Description	Ref - Note
1	93243	541R05001	Piedino	Foot	
2	93245	217555204	Vite per plastica per piedino	Screw (use by fix foot)	
3	93246	518708601	Vite M8x20 per fiss. staffa sup/inf	Screw M8X20 (use by fix bracket)	
4	93247	502R17400	Staffa supporto fianchi	Side support (upper)	
5	93248	546R22800	Distanziale per piede	Foot spacer	
6	93355	501R36201	Cremagliera anteriore	Front Rack	
6b	93356	501R48300	Cremagliera posteriore dx 304	Right back rack	
6a	93357	501R36101	Cremagliera posteriore sx 304	Left back rack	
7	93358	501R48000	Guida Sx	Left support	
8	93359	501R48200	Guida Dx	Right support	
9	93252	514R10600	Griglia 2/1 rilsan	Grid 2/1rilsan	a,b,c,d,g,h,i,l
9	93360	514R10700	Griglia 2/1 aisi 304	Grid 2/1 aisi 304	e,f
10	93253	514R12200	Griglia di fondo rilsan	Bottom grid rilsan	a,b,c,d,g,h,i,l
10	93296	514R12100	Griglia di fondo aisi 304	Bottom grid aisi 304	e,f
10a	93714	546R26000	Piletta	Drain pipe	
10b	85535	545733700	Tappo	Plug	
10c	81797	544701400	Dado per piletta	Nut pipe	
11	93460	501R56000	Carter interno 304	Internal protection aisi 304	
12	93254	832R09001	Cornice orrizzontale	Orrizzontal frame	
13	93255	832R09101	Cornice verticale	Vertical frame	a,c,e,g,i
13b	93256	832R09301	Cornice verticale 1/2 porte	Vertical frame 1/2 doors	b,d,f,h,l
13a	93361	617R07100	Cavo riscaldante cornice 8,9 W	Heating cable frame 8,9 W	a,c,e,g,i
13c	93362	617R07300	Cavo riscaldante cornice 1/2 porte	Heating cable frame half doors	b,d,f,h,l
14	93478	835R27200	Porta con guarnizione aisi 304	Gasket and door	a,c,e,g,i
15	93477	835R27600	Porta aisi 304	Door	a,c,e,g,i
16	93257	548R06802	Guarnizione porta pv/pc	Gasket door (gl/fl)	a,c,e,g,i
17	82219	835704001	Cerniera porta	Hinge door	
18	81654	544700601	Boccola per porta	Door bush	a,c,e,g,i
19	93341	833R21600	Staffa inferiore porta	Lower stirrup door	a,c,e,g,i
20	82257	505723802	Staffa superiore porta	Upper stirrup door	
21	93271	541R05300	Tappo per cerniere	Hole hinge plug	a,c,e,g,i
24a	*	541R06600	Tappo per serratura	Lock plug	b,d,f,h,l
24	93342	880R64100	Traversa per 1/2 porte a304	Support half door a304	b,d,f,h,l
25	93272	832R10000	Cornice per traversa	Support half door frame	b,d,f,h,l
26	93363	501R51700	Cremagliera ant. 1/2 porte sup.	Upper rack 1/2 doors a304	b,d,f,h,l
27	93364	501R46100	Cremagliera ant. 1/2 porte 304 inf.	Lower rack 1/2 doors a304	b,d,f,h,l
28	93546	835R26301	Ass.1/2 porta superiore a304	Upper half door a304	b,d,f,h,l

PNC	Ref.	PNC	Ref.	PNC	Ref.	PNC	Ref.	PNC	Ref.	PNC	Ref.	PNC	Ref.
727251	a	727252	b	110118	c	110119	d	728645	e	728701	f	727340	g
727341	h	728718	i	728718	l								

Pos	Spare parts code	Factory code	Descrizione	Description	Ref - Note
29	93519	835R25502	Ass.1/2 porta inferiore a304	Lower half door a304	b,d,f,h,l
30	93273	548R07100	Guarnizione magnetica 1/2 porte	Half door gasket	b,d,f,h,l
31	93517	546R23100	Boccola per cerniera 1/2 porte	Half door bush	b,d,f,h,l
32	93301	833R21900	Ass. staffa inf.(reversibile) pv-1\2p	Lower bracket (reversible)	b,d,f,h,l
33	93344	505R12400	Cerniera centrale	Central hinge door	b,d,f,h,l
34	93433	833R21100	Serratura	Serratura	b,d,f,h,l
		880R75301			
51	*	501R66800	Supporto impianto elettrico	Electrical wiring support	
52	93607	501R63701	Sgocciolatoio	Drainer	
53	93605	617R07901	Resistenza evaporazione 100W	Water evaporation heating element	
54	93606	501R63601	Baccinella evaporazione	Water condensation basin	
55	93604	514R13101	Griglia protezione resistenza	Protection grid	
56	87333	646740901	Valvola termostatica -40 / +10	Thermostatic Valve -40 / +10	
56a	89614	565717600	Isolante per valvola	Valve insulation	
57	90229	525719000	Filtro meccanico a rete	Filter	
58	93435	646R10501	Valvola solenoide	Solenoid valve	
63	93323	830R03901	Evaporatore 2R 8T	Evaporator 2R 8T	
64	93469	546R19201	Vaschetta evaporatore	Evaporator tray	
65	93367	682R05800	Ventilatore evaporatore (ebm)	Evaporator fan (ebm)	
65a	84920	511705100	Ventola 200-25	Fan 200	
66	89770	546709600	Griglia evap. P200	Fan protection	
67	92173	646R06700	Sonda cella	Cell probe	
68	*	856R18900	Resistenza con termostati	Heating element with thermostat	
69	93487	514R11600	Molla per fissaggio termostati	Thermostat spring	
70	93368	514R10800	Molla per fissaggio resistenza 2R	Heating element spring 2R	
70a	93353	514R12000	Molla per fissaggio resistenza 83,5	Heating element spring 83,5	
72	93370	501R43901	Convogliatore evaporatore P.200	Evaporator conveyor A304	
73	93528	639R09900	Morsettiera	Clamp	
74	93261	835R24101	Assieme Calotta	Evaporator cover	
75	93262	14701R003	Neoprene espanso 8x13,3 nero (M4)	Gasket cover (neoprene 8x13,3)	
76	93245	217555204	Vite senza punta x plastica	Cover screw	
76a	*	546R23900	Rondella in teflon	Bush	
77	93614	546R25800	Tamponcino per tubi	Pipe cover insulation	
78	93264	541R04800	Copertura impianto elettrico	Wiring cover	
79	92257	694R00501	Filtro antidisturbo	Electrical filter	
99	*	880R77703	Crus. compl. senza mascherina A304	Panel complete without template A304	
100	93525	509R13403	Cruscotto comandi	Panel 304 AISI	

PNC	Ref.	PNC	Ref.	PNC	Ref.	PNC	Ref.	PNC	Ref.	PNC	Ref.	PNC	Ref.
727251	a	727252	b	110118	c	110119	d	728645	e	728701	f	727340	g
727341	h	728718	i	728718	l								

Pos	Spare parts code	Factory code	Descrizione	Description	Ref - Note
102	93609	832R10100	Cerniera per cruscotto DX	Right Hinge for panel	
102a	93610	832R10200	Cerniera per cruscotto SX	Left Hinge for panel	
103	93345	833R20900	Serratura	Latch	
104	93380	855R10800	Ass.macherina porta/cruscotto elux	Complete template door and panel	a,b,g,h
104	93381	855R10900	Ass.macherina porta/cruscotto zan	Complete template door and panel	c,d
104	93382	855R11000	Ass.macherina porta/cruscotto alp	Complete template door and panel	e,f,i,l
105	93437	646R10601	Termoregolatore ir33 premium pc	Thermoregulator premium	To be setted
106	93295	501R37401	Protezione	Protection led-lamp	
107	93386	546R19501	Supporto scheda led	Support led-lamp	
108	93387	546R19600	Protezione scheda led	Protection led-lamp	
109	93388	648R05500	Scheda led depotenziata	Led-lamp board	
110	93390	569R05900	Guarnizione per scheda led	Led-lamp board gasket	
111	93269	541R05400	Tappo per cerniera porta	Door hinge plug	
112	93391	639R10400	Morsetto	Clamp	
113	*	855R09900	Ass.mascherina cruscotto	Assembled template panel Elux	a,b,g,h
113	*	855R10000	Ass.mascherina cruscotto	Assembled template panel Zan	c,d
113	*	855R10100	Ass.mascherina cruscotto	Assembled template panel APX	e,f,i,l
114	*	546R20000	Cornice mascherina cruscotto	Template frame panel	a,b,g,h
114	*	546R20100	Cornice mascherina cruscotto	Template frame panel	c,d,e,f,i,l
115	*	855R10500	Ass. Mascheria Porta Elux	Assembled template Door Elux	a,b,g,h
115	*	855R10600	Ass. Mascheria Porta Zan	Assembled template Door ZAn	c,d
115	*	855R10700	Ass. Mascheria Porta APX	Assembled template Door APX	e,f,i,l
116	*	546R20200	Cornice mascherina porta elux	Template frame door elux	a,b,g,h
116	*	546R20300	Cornice mascherina porta Zan, APX	Template frame door Zan, APX	c,d,e,f,i,l
*	93491	217541085	Vite per fissaggio mascherina M3x8	Screws M3X8 for control door/panel	
117	*	639R06800	Connettore dritto 3 vie	Connector 3 ways right	
117	*	639R06900	Connettore dritto 7 vie	Connector 7 ways right	
117	99740		Connettore 90° 7 vie	Connector 7 ways 90°	
117	99741		Connettore 90° 5 vie	Connector 5 ways 90°	
117	88998		Connettore 90° 3 vie	Connector 3 ways 90°	
117	99743		Connettore 90° 3 vie piccolo	Connector 3 ways 90° small	
117	99742		Connettore 90° 2 vie	Connector 2 ways 90°	
117	91682		Connettore 90° 4 vie	Connector 4 ways 90°	
117	91684		Connettore 90° 5 vie	Connector 5 ways 90°	
*	93180	639R09600	Convertitore spina UK	UK plug converter	g,h,i,l