



## CABINETS PREMIUM

### Remote refrigerated

| PNC    | En.Ch. | Model                                                  | Ref. | Page    |
|--------|--------|--------------------------------------------------------|------|---------|
| 110118 | 12/17  | 1-DOOR REFR. 670L -2/+10°C, DIGITAL, REM               | c    | 2,4,5   |
| 110119 | 13/18  | 1/2-DOORS REFR. 670L -2/+10°C, DIGITAL, REM            | d    | 3, 4, 5 |
| 190123 | 00/01  | 1-DOOR REFR 670L -2/+10°C, A304 DIGITAL, REM           | m    | 2, 4, 5 |
| 190140 | 00/00  | 1-DOOR REFRIG. 670L -2/+10°C, DIGITAL, REM             | n    | 2, 4, 5 |
| 190804 | 00/00  | 1-DOOR REFR 670L -2/+10°C, DIGITAL, REM                | o    | 2, 4, 5 |
| 190AWP | 00/00  | 1-DOOR REFR 670L -2/+10°C, DIGITAL, REM                | k    | 2, 4, 5 |
| 727251 | 17/17  | 1-DOOR REFR. 670L -2/+10°C, DIGITAL, REM               | a    | 2, 4, 5 |
| 727252 | 13/18  | 1/2-DOORS REFR. 670L -2/+10°C, DIGITAL, REM            | b    | 3, 4, 5 |
| 727340 | 12/18  | 1-DOOR REFR. 670L -2/+10°C, DIGITAL, REM               | g    | 2, 4, 5 |
| 727341 | 13/19  | 1/2-DOORS REFR. 670L -2/+10°C, DIGITAL, REM            | h    | 3, 4, 5 |
| 728645 | 12/17  | 1-DOOR REFR. 670L -2/+10°C, DIGITAL, REM               | e    | 2, 4, 5 |
| 728701 | 13/18  | 1/2-DOORS REFR. 670L -2/+10°C, DIGITAL, REM            | f    | 3, 4, 5 |
| 728718 | 08/14  | 1-DOOR REFR. 670L -2/+10°C, DIGITAL, REM ALPEN - UK    | i    | 2, 4, 5 |
| 728719 | 09/15  | 1/2-DOORS REFR. 670L -2/+10°C, DIGITAL, REM ALPEN - UK | l    | 3, 4, 5 |

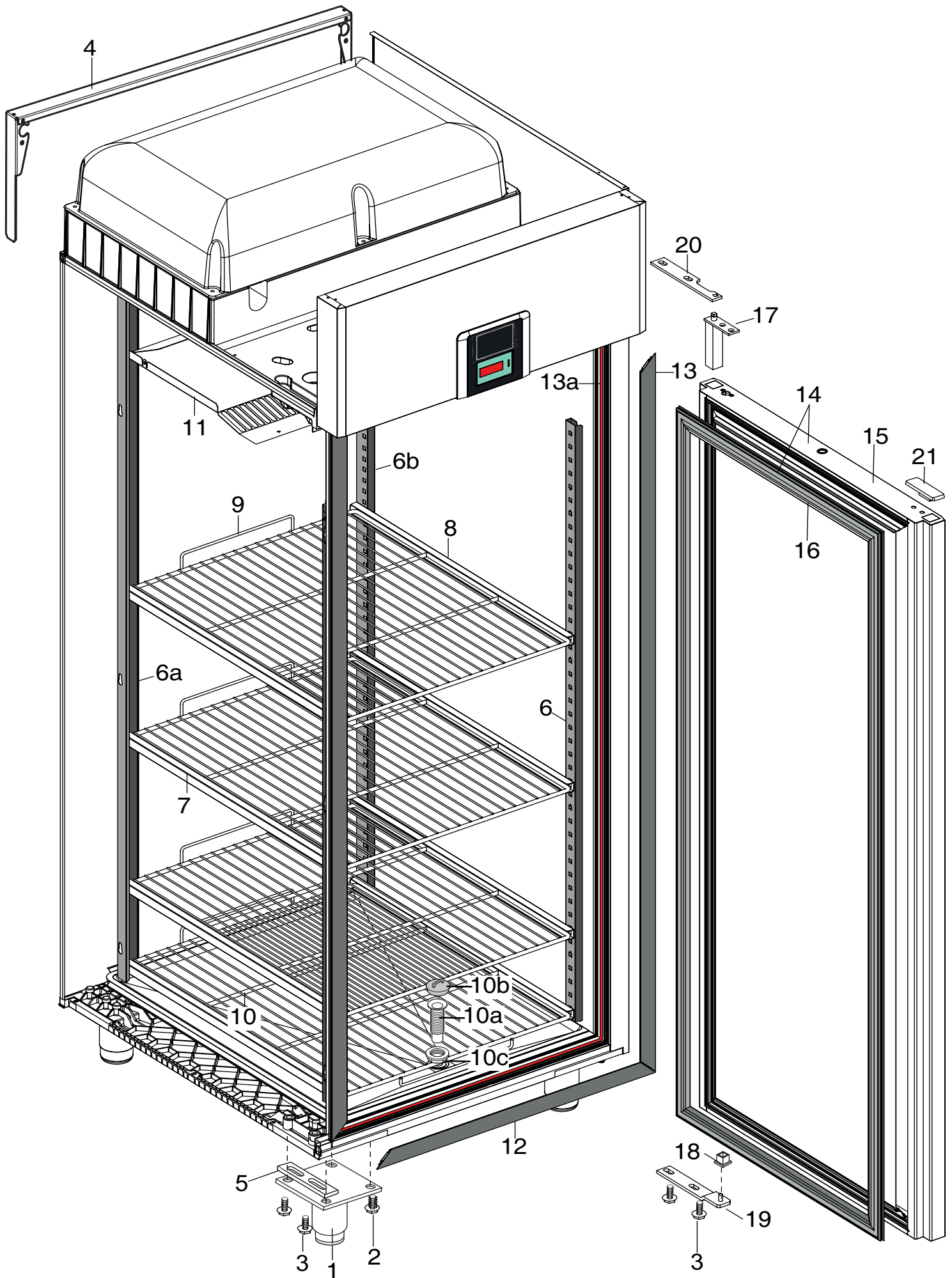
**Note:** per la corretta identificazione dei componenti, attenersi esclusivamente alle pagine indicate e alla lettera di riferimento.

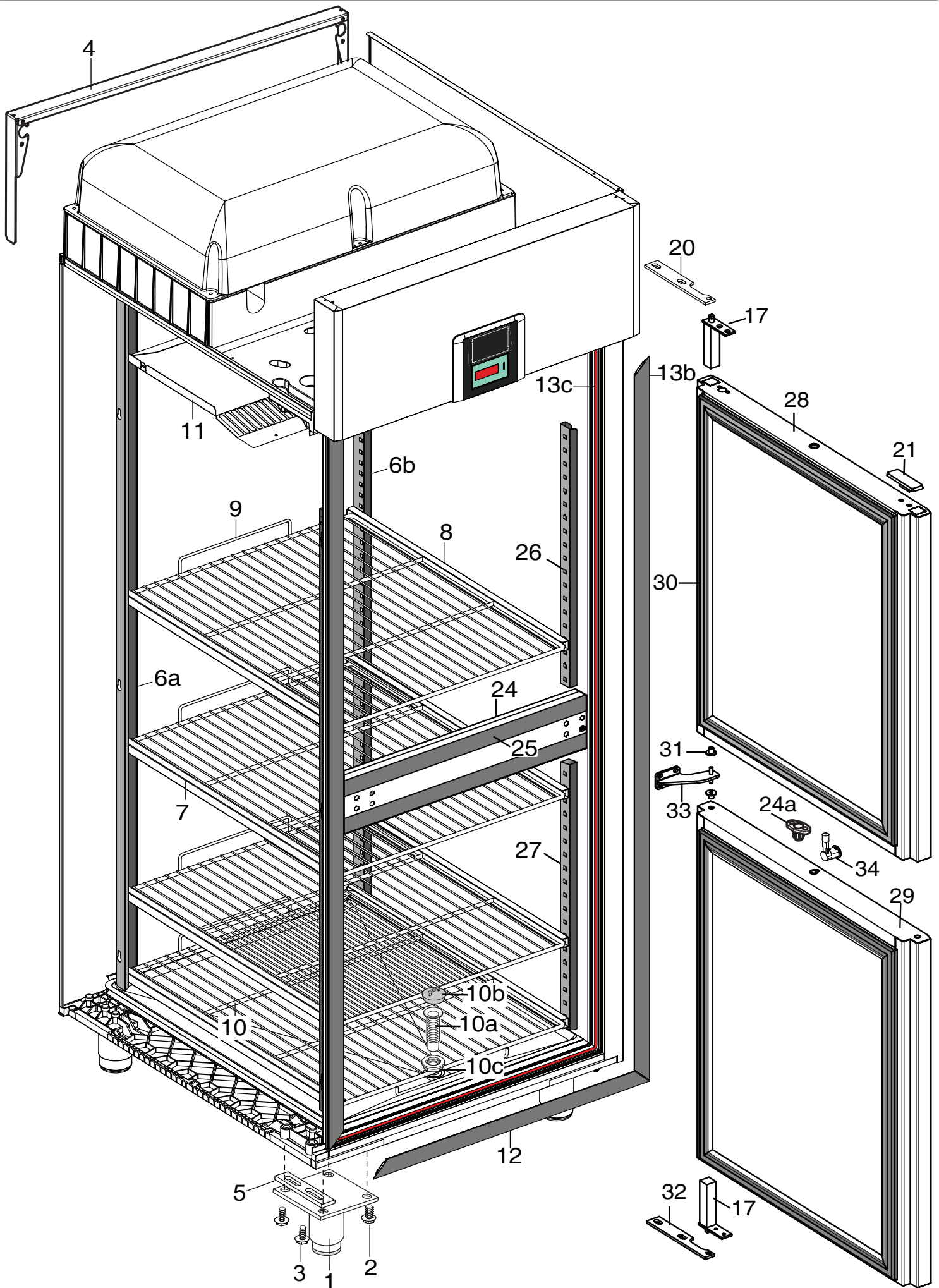
**Note:** for the correct identification of the components, follow the indicated pages and the reference letter.

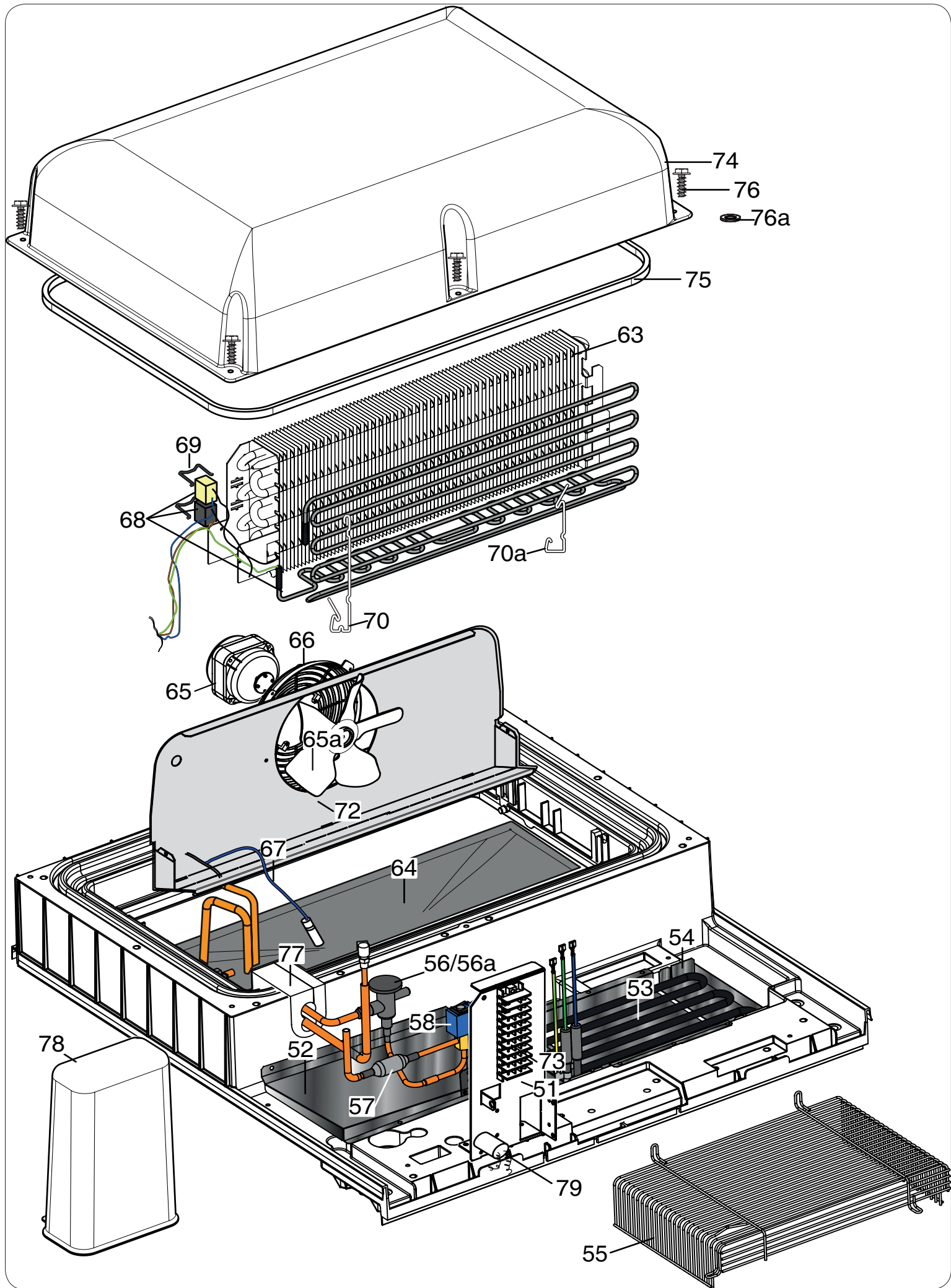
#### Index/Indice

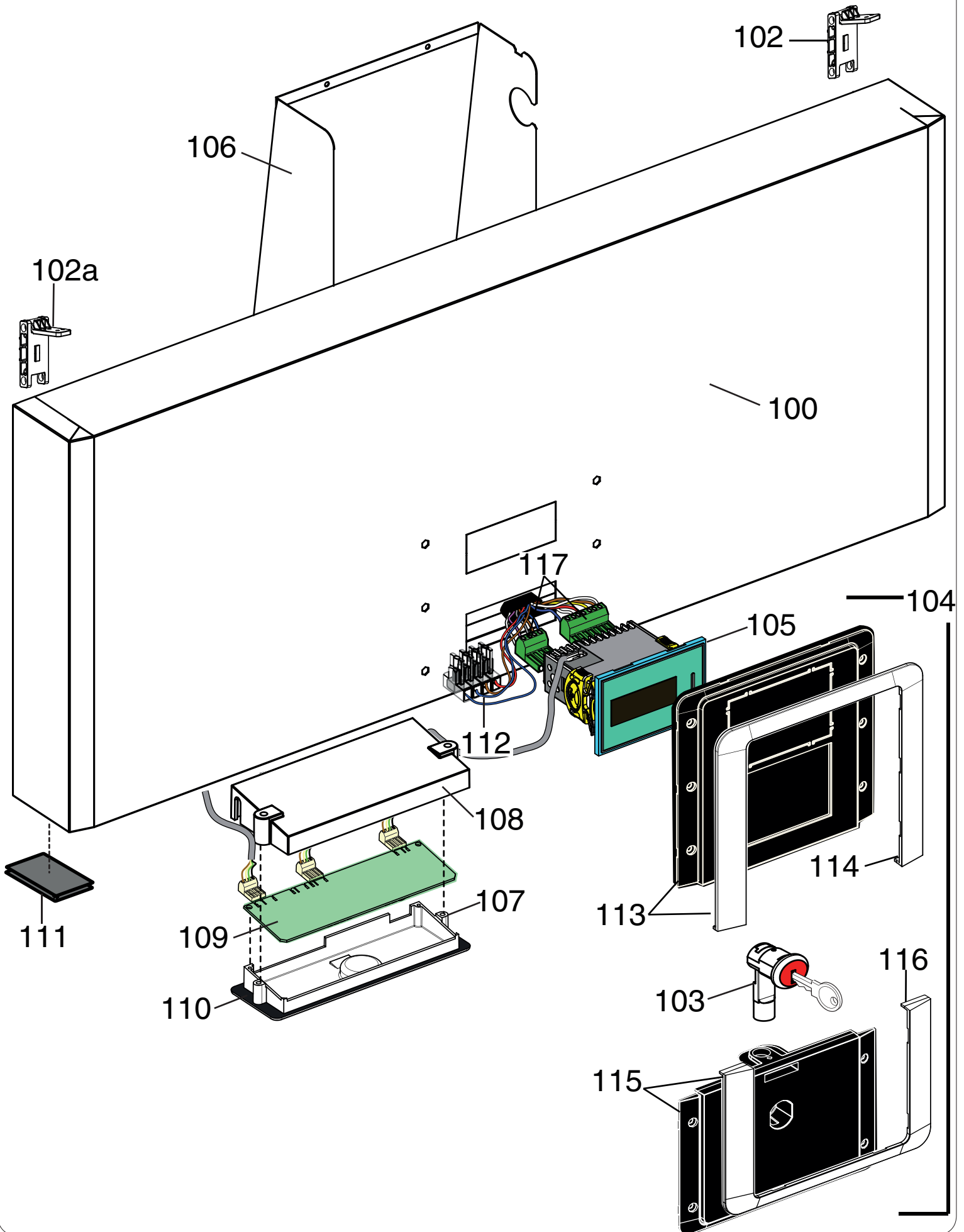
|      |       |                       |                     |
|------|-------|-----------------------|---------------------|
| Pag. | 2,3   | Cabinet and door      | Armadio e porta     |
|      | 4     | Cooling unit assembly | Gruppo refrigerante |
|      | 5     | Control panel         | Pannello comandi    |
|      | 6,7,8 | Spare parts list      | Lista ricambi       |

Rev: 6









|        |      |        |      |        |      |        |      |        |      |        |      |        |      |
|--------|------|--------|------|--------|------|--------|------|--------|------|--------|------|--------|------|
| PNC    | Ref. | PNC    | Ref. | PNC    | Ref. | PNC    | Ref. | PNC    | Ref. | PNC    | Ref. | PNC    | Ref. |
| 727251 | a    | 727252 | b    | 110118 | c    | 110119 | d    | 728645 | e    | 728701 | f    | 727340 | g    |
| 727341 | h    | 728718 | i    | 728719 | l    | 190123 | m    | 190140 | n    | 190804 | o    | 190AWP | k    |

| Pos | Spare parts code | Factory code | Descrizione | Description | Ref - Note |
|-----|------------------|--------------|-------------|-------------|------------|
|-----|------------------|--------------|-------------|-------------|------------|

|           |               |                  |                                     |                                   |                             |
|-----------|---------------|------------------|-------------------------------------|-----------------------------------|-----------------------------|
| 1         | 093243        | 541R05001        | Piedino                             | Foot                              |                             |
| 2         | 093245        | 217555204        | Vite per plastica per piedino       | Screw ( use by fix foot)          |                             |
| 3         | 093246        | 518708601        | Vite M8x20 per fiss. staffa sup/inf | Screw M8X20 ( use by fix bracket) |                             |
| 4         | 093247        | 502R17400        | Staffa supporto fianchi             | Side support (upper)              |                             |
| 5         | 093248        | 546R22800        | Distanziale per piede               | Foot spacer                       |                             |
| 6         | 093355        | 501R36201        | Cremagliera anteriore               | Front Rack                        |                             |
| 6b        | 093356        | 501R48300        | Cremagliera posteriore dx 304       | Right back rack                   |                             |
| 6a        | 093357        | 501R36101        | Cremagliera posteriore sx 304       | Left back rack                    |                             |
| 7         | 093358        | 501R48000        | Guida Sx                            | Left support                      |                             |
| 8         | 093359        | 501R48200        | Guida Dx                            | Right support                     |                             |
| 9         | 093252        | 514R10600        | Griglia 2/1 rilsan                  | Grid 2/1 rilsan                   | a,b,c,d,g,h,<br>i,k,l,m,n,o |
| 9         | 093360        | 514R10700        | Griglia 2/1 aisi 304                | Grid 2/1 aisi 304                 | e,f                         |
| 10        | 093253        | 514R12200        | Griglia di fondo rilsan             | Bottom grid rilsan                | a,b,c,d,g,h,<br>i,k,l,m,n,o |
| 10        | 093296        | 514R12100        | Griglia di fondo aisi 304           | Bottom grid aisi 304              | e,f                         |
| 10a       | 093714        | 546R26000        | Piletta                             | Drain pipe                        |                             |
| 10b       | 085535        | 545733700        | Tappo                               | Plug                              |                             |
| 10c       | 081797        | 544701400        | Dado per piletta                    | Nut pipe                          |                             |
| 11        | 093460        | 501R56000        | Carter interno 304                  | Internal protection aisi 304      |                             |
| 12        | 093254        | 832R09001        | Cornice orrizzontale                | Orrizzontal frame                 |                             |
| 13        | 093255        | 832R09101        | Cornice verticale                   | Vertical frame                    | a,c,e,g,i,k,m,n,o           |
| 13b       | 093256        | 832R09301        | Cornice verticale 1/2 porte         | Vertical frame 1/2 doors          | b,d,f,h,l                   |
| 13a       | 093361        | 617R07100        | Cavo riscaldante cornice 8,9 W      | Heating cable frame 8,9 W         | a,c,e,g,i,k,m,n,o           |
| 13c       | 093362        | 617R07300        | Cavo riscaldante cornice 1/2 porte  | Heating cable frame half doors    | b,d,f,h,l                   |
| 14        | 093478        | 835R27200        | Porta con guarnizione aisi 304      | Gasket and door                   | a,c,e,g,i,k,m,n,o           |
| 15        | 093477        | 835R27600        | Porta aisi 304                      | Door                              | a,c,e,g,i,k,m,n,o           |
| <b>16</b> | <b>094152</b> | <b>548R08000</b> | <b>Guarnizione porta pv/pc</b>      | <b>Gasket door (gl/fl)</b>        | <b>a,c,e,g,i,k,m,n,o</b>    |
| 17        | 082219        | 835704001        | Cerniera porta                      | Hinge door                        |                             |
| 18        | 081654        | 544700601        | Boccola per porta                   | Door bush                         | a,c,e,g,i,k,m,n,o           |
| 19        | 093341        | 833R21600        | Staffa inferiore porta              | Lower stirrup door                | a,c,e,g,i,k,m,n,o           |
| 20        | 082257        | 505723802        | Staffa superiore porta              | Upper stirrup door                |                             |
| 21        | 093271        | 541R05301        | Tappo per cerniere                  | Hole hinge plug                   | a,c,e,g,i,k,m,n,o           |
| 24a       | *             | 541R06600        | Tappo per serratura                 | Lock plug                         | b,d,f,h,l                   |
| 24        | 093342        | 880R64100        | Traversa per 1/2 porte a304         | Support half door a304            | b,d,f,h,l                   |
| 25        | 093272        | 832R10000        | Cornice per traversa                | Support half door frame           | b,d,f,h,l                   |
| 26        | 093363        | 501R51700        | Cremagliera ant. 1/2 porte sup.     | Upper rack 1/2 doors a304         | b,d,f,h,l                   |
| 27        | 093364        | 501R46100        | Cremagliera ant. 1/2 porte 304 inf. | Lower rack 1/2 doors a304         | b,d,f,h,l                   |
| 28        | 093546        | 835R26301        | Ass.1/2 porta superiore a304        | Upper half door a304              | b,d,f,h,l                   |
| 29        | 093519        | 835R25502        | Ass.1/2 porta inferiore a304        | Lower half door a304              | b,d,f,h,l                   |
| 30        | 093273        | 548R07100        | Guarnizione magnetica 1/2 porte     | Half door gasket                  | b,d,f,h,l                   |

|            |             |            |             |            |             |            |             |            |             |            |             |            |             |
|------------|-------------|------------|-------------|------------|-------------|------------|-------------|------------|-------------|------------|-------------|------------|-------------|
| <b>PNC</b> | <b>Ref.</b> | <b>PNC</b> | <b>Ref.</b> | <b>PNC</b> | <b>Ref.</b> | <b>PNC</b> | <b>Ref.</b> | <b>PNC</b> | <b>Ref.</b> | <b>PNC</b> | <b>Ref.</b> | <b>PNC</b> | <b>Ref.</b> |
| 727251     | a           | 727252     | b           | 110118     | c           | 110119     | d           | 728645     | e           | 728701     | f           | 727340     | g           |
| 727341     | h           | 728718     | i           | 728719     | l           | 190123     | m           | 190140     | n           | 190804     | o           | 190AWP     | k           |

| <b>Pos</b> | <b>Spare parts code</b> | <b>Factory code</b> | <b>Descrizione</b> | <b>Description</b> | <b>Ref - Note</b> |
|------------|-------------------------|---------------------|--------------------|--------------------|-------------------|
|------------|-------------------------|---------------------|--------------------|--------------------|-------------------|

|           |               |                  |                                          |                                        |                        |
|-----------|---------------|------------------|------------------------------------------|----------------------------------------|------------------------|
| 31        | 093517        | 546R23100        | Boccola per cerniera 1/2 porte           | Half door bush                         | b,d,f,h,l              |
| 32        | 093301        | 833R21900        | Ass. staffa inf.( reversibile) pv-1\2p   | Lower bracket ( reversible)            | b,d,f,h,l              |
| 33        | 093344        | 505R12400        | Cerniera centrale                        | Central hinge door                     | b,d,f,h,l              |
| 34        | 093433        | 833R21100        | Serratura                                | Serratura                              | b,d,f,h,l              |
| 51        | *             | 501R66800        | Supporto impianto elettrico              | Electrical wiring support              |                        |
| 52        | 093607        | 501R63701        | Sgocciolatoio                            | Drainer                                |                        |
| 53        | 093605        | 617R07901        | Resistenza evaporazione 100W             | Water evaporation heating element      |                        |
| 54        | 093606        | 501R63601        | Bacinella evaporazione                   | Water condensation basin               |                        |
| 55        | 093604        | 514R13101        | Griglia protezione resistenza            | Protection grid                        |                        |
| 56        | 087333        | 646740901        | Valvola termostatica R134A               | Thermostatic Valve R134A               | not for k,m,n,o        |
| 56        | 088501        | 646751900        | Valvola R404A/R407F                      | Thermostatic Valve R404A/R407F         | m,n                    |
| 56        | 095674        | 646R16000        | Valvola R407C/R448A/R449A                | Thermostatic valve R407C/R448A/R449A   | o                      |
| 56a       | 089614        | 565717600        | Isolante per valvola                     | Valve insulation                       | not for k              |
| 57        | 090229        | 525719000        | Filtro meccanico a rete                  | Filter                                 | not for k              |
| 58        | 093435        | 646R10501        | Valvola solenoide                        | Solenoid valve                         | Up to 4151...          |
| 58        | 094435        | 646R10502        | Valvola solenoide                        | Solenoid valve                         | From 4161.. not for k. |
| 63        | 093323        | 830R03901        | Evaporatore 2R 8T                        | Evaporator 2R 8T                       |                        |
| <b>63</b> | <b>0TTX87</b> | <b>830R07500</b> | <b>Evaporatore 3R brine system</b>       | <b>Evaporator 3R brine system</b>      | <b>k</b>               |
| 64        | 093469        | 546R19201        | Vaschetta evaporatore                    | Evaporator tray                        |                        |
| 65        | 093367        | 682R05800        | Ventilatore evaporatore (ebm)            | Evaporator fan (ebm)                   |                        |
| 65a       | 084920        | 511705100        | Ventola 200-25                           | Fan 200                                |                        |
| 66        | 089770        | 546709600        | Griglia evap. P200                       | Fan protection                         |                        |
| 67        | 092173        | 646R06700        | Sonda cella                              | Cell probe                             |                        |
| <b>68</b> | <b>093327</b> | <b>617R06101</b> | <b>Resistenza con termostati</b>         | <b>Heating element with thermostat</b> |                        |
| <b>68</b> | <b>093427</b> | <b>617R06002</b> | <b>Resistenza con termostati</b>         | <b>Heating element with thermostat</b> | <b>k</b>               |
| 69        | 093487        | 514R11600        | Molla per fissaggio termostati           | Thermostat spring                      |                        |
| 70        | 093368        | 514R10801        | Molla per fissaggio resistenza 2R        | Heating element spring 2R              |                        |
| <b>70</b> | <b>093508</b> | <b>514R11102</b> | <b>Molla per fissaggio resistenza 3R</b> | <b>Heating element spring 3R</b>       | <b>k</b>               |
| 70a       | 093353        | 514R12000        | Molla per fissaggio resistenza 83,5      | Heating element spring 83,5            |                        |
| 72        | 093370        | 501R43901        | Convogliatore evaporatore P.200          | Evaporator conveyor A304               |                        |
| 73        | 093528        | 639R09900        | Morsettiera                              | Clamp                                  |                        |
| 74        | 093261        | 835R24101        | Assieme Calotta                          | Evaporator cover                       | Up to 6181             |
| 74        | 095201        | 835R47601        | Assieme Calotta                          | Evaporator cover                       | From 6191              |
| *         | 095202        | 546R34400        | Staffa per calotta schiumata             | Support for foamed Evaporator          |                        |
| 75        | 093262        | 14701R003        | Neoprene espanso 8x13,3 nero (M4)        | Gasket cover ( neoprene 8x13,3)        |                        |
| 76        | 093245        | 217555204        | Vite senza punta x plastica              | Cover screw                            |                        |
| 76a       | *             | 546R23900        | Rondella in teflon                       | Bush                                   |                        |
| 77        | 093614        | 546R25800        | Tamponcino per tubi                      | Pipe cover insulation                  |                        |
| 78        | 093264        | 541R04800        | Copertura impianto elettrico             | Wiring cover                           |                        |
| 79        | 092257        | 694R00501        | Filtro antisturbo                        | Electrical filter                      |                        |

| PNC    | Ref. | PNC    | Ref. | PNC    | Ref. | PNC    | Ref. | PNC    | Ref. | PNC    | Ref. | PNC    | Ref. |
|--------|------|--------|------|--------|------|--------|------|--------|------|--------|------|--------|------|
| 727251 | a    | 727252 | b    | 110118 | c    | 110119 | d    | 728645 | e    | 728701 | f    | 727340 | g    |
| 727341 | h    | 728718 | i    | 728719 | l    | 190123 | m    | 190140 | n    | 190804 | o    | 190AWP | k    |

| Pos | Spare parts code | Factory code | Descrizione | Description | Ref - Note |
|-----|------------------|--------------|-------------|-------------|------------|
|-----|------------------|--------------|-------------|-------------|------------|

|      |        |           |                                     |                                      |               |
|------|--------|-----------|-------------------------------------|--------------------------------------|---------------|
| 99   | *      | 880R77703 | Crus.compl. senza mascherina A304   | Panel complete without template A304 |               |
| 100  | 093525 | 509R13403 | Cruscotto comandi                   | Panel 304 AISI                       |               |
| 102  | 093609 | 832R10100 | Cerniera per cruscotto DX           | Right Hinge for panel                |               |
| 102a | 093610 | 832R10200 | Cerniera per cruscotto SX           | Left Hinge for panel                 |               |
| 103  | 093345 | 833R20900 | Serratura                           | Latch                                |               |
| 104  | 093380 | 855R10801 | Ass.mascherina porta/cruscotto elux | Complete template door and panel     | a,b,g,h,k,m,o |
| 104  | 093381 | 855R10900 | Ass.mascherina porta/cruscotto zan  | Complete template door and panel     | c,d,n         |
| 104  | 093382 | 855R11000 | Ass.mascherina porta/cruscotto alp  | Complete template door and panel     | e,f,i,l       |
| 105  | 093437 | 646R10601 | Termoregolatore ir33 premium pc     | Thermoregulator premium              | To be set     |
| 106  | 093295 | 501R37401 | Protezione                          | Protection led-lamp                  |               |
| 107  | 093386 | 546R19501 | Supporto scheda led                 | Support led-lamp                     |               |
| 108  | 093387 | 546R19600 | Protezione scheda led               | Protection led-lamp                  |               |
| 109  | 093388 | 648R05500 | Scheda led depotenziata             | Led-lamp board                       |               |
| 110  | 093390 | 569R05900 | Guarnizione per scheda led          | Led-lamp board gasket                |               |
| 111  | 093269 | 541R05401 | Tappo per cerniera porta            | Door hinge plug                      |               |
| 112  | 093391 | 639R10400 | Morsetto                            | Clamp                                |               |
| 113  | *      | 855R09900 | Ass.mascherina cruscotto            | Assembled template panel Elux        | a,b,g,h,k,m,o |
| 113  | *      | 855R10000 | Ass.mascherina cruscotto            | Assembled template panel Zan         | c,d,n         |
| 113  | *      | 855R10100 | Ass.mascherina cruscotto            | Assembled template panel APX         | e,f,i,l       |
| 114  | *      | 546R20000 | Cornice mascherina cruscotto        | Template frame panel                 | a,b,g,h,k,m,o |
| 114  | *      | 546R20100 | Cornice mascherina cruscotto        | Template frame panel                 | c,d,e,f,i,l,n |
| 115  | *      | 855R10500 | Ass. Mascheria Porta Elux           | Assembled template Door Elux         | a,b,g,h,k,m,o |
| 115  | *      | 855R10600 | Ass. Mascheria Porta Zan            | Assembled template Door ZAn          | c,d,n         |
| 115  | *      | 855R10700 | Ass. Mascheria Porta APX            | Assembled template Door APX          | e,f,i,l       |
| 116  | *      | 546R20200 | Cornice mascherina porta elux       | Template frame door elux             | a,b,g,h,k,m,o |
| 116  | *      | 546R20300 | Cornice mascherina porta Zan, APX   | Template frame door Zan, APX         | c,d,e,f,i,l,n |
| *    | 093491 | 217541085 | Vite per fissaggio mascherina M3x8  | Screws M3X8 for control door/panel   |               |
| 117  | *      | 639R06800 | Connettore dritto 3 vie             | Connector 3 ways right               |               |
| 117  | *      | 639R06900 | Connettore dritto 7 vie             | Connector 7 ways right               |               |
| 117  | 099740 |           | Connettore 90° 7 vie                | Connector 7 ways 90°                 |               |
| 117  | 099741 |           | Connettore 90° 5 vie                | Connector 5 ways 90°                 |               |
| 117  | 088998 |           | Connettore 90° 3 vie                | Connector 3 ways 90°                 |               |
| 117  | 099743 |           | Connettore 90° 3 vie piccolo        | Connector 3 ways 90° small           |               |
| 117  | 099742 |           | Connettore 90° 2 vie                | Connector 2 ways 90°                 |               |
| 117  | 091682 |           | Connettore 90° 4 vie                | Connector 4 ways 90°                 |               |
| 117  | 091684 |           | Connettore 90° 5 vie                | Connector 5 ways 90°                 |               |
| *    | 093180 | 639R09600 | Convertitore spina UK               | UK plug converter                    | g,h,i,l       |