

Thermoregulator  
1M - 1/2 doors

# CABINETS PREMIUM

## Remote refrigerated

PNC	En.Ch.	Model	Ref.	Page
110118	12/17	1-DOOR REFR. 670L -2/+10°C, DIGITAL, REM	c	2,4,5,6,7
110119	13/18	1/2-DOORS REFR. 670L -2/+10°C, DIGITAL, REM	d	3,4,5,6,7
190123	00/01	1-DOOR REFR 670L -2/+10°C, A304 DIGITAL, REM	m	2,4,5,6,7
190140	00/00	1-DOOR REFRIG. 670L -2/+10°C, DIGITAL, REM	n	2,4,5,6,7
190804	00/00	1-DOOR REFR 670L -2/+10°C, DIGITAL, REM	o	2,4,5,6,7
190AWP	00/00	1-DOOR REFR 670L -2/+10°C, DIGITAL, REM	k	2,4,5,6,7
190B74	00/00	1-DOOR REFR 670L -2/+10°C, DIGITAL, REM	j	2,4,5,6,7
190CQQ	00/00	1-DOOR REFR 670L -2/+10°C, DIGITAL, REM	p	2,4,5,6,7
<b>190CZO</b>	<b>01/01</b>	<b>2x1/2-DR REFR 670L -2/+10°C, DIGITAL, REM</b>	<b>q</b>	<b>3,4,5,6,7</b>
727251	19/19	1-DOOR REFR. 670L -2/+10°C, DIGITAL, REM	a	2,4,5,6,7
727252	22/22	1/2-DOORS REFR. 670L -2/+10°C, DIGITAL, REM	b	3,4,5,6,7
727340	12/18	1-DOOR REFR. 670L -2/+10°C, DIGITAL, REM	g	2,4,5,6,7
727341	13/19	1/2-DOORS REFR. 670L -2/+10°C, DIGITAL, REM	h	3,4,5,6,7
728645	12/17	1-DOOR REFR. 670L -2/+10°C, DIGITAL, REM	e	2,4,5,6,7
728701	13/18	1/2-DOORS REFR. 670L -2/+10°C, DIGITAL, REM	f	3,4,5,6,7
728718	08/14	1-DOOR REFR. 670L -2/+10°C, DIGITAL, REM ALPEN - UK	i	2,4,5,6,7
728719	09/15	1/2-DOORS REFR. 670L -2/+10°C, DIGITAL, REM ALPEN - UK	l	3,4,5,6,7

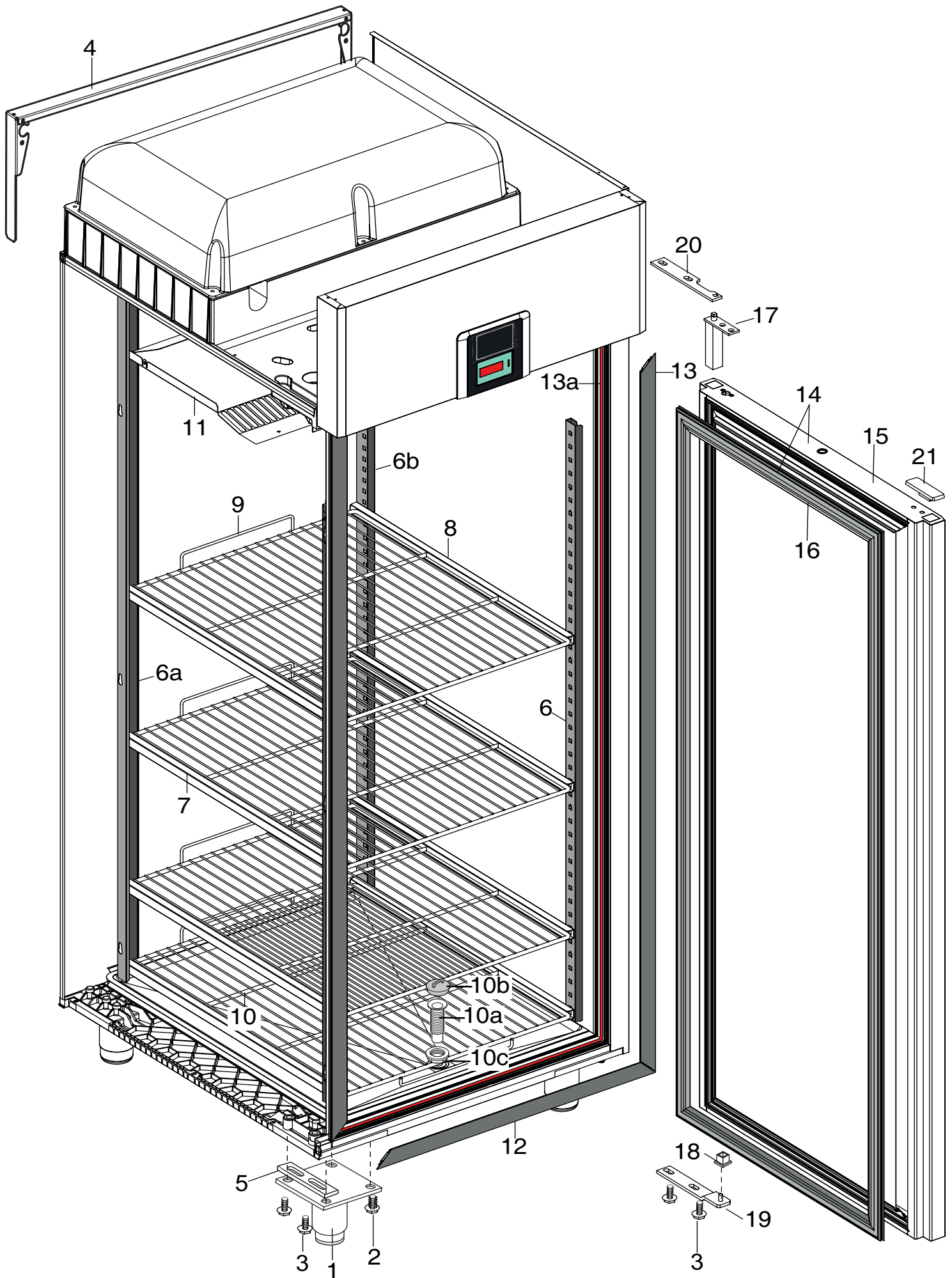
**Note:** per la corretta identificazione dei componenti, attenersi esclusivamente alle pagine indicate e alla lettera di riferimento.

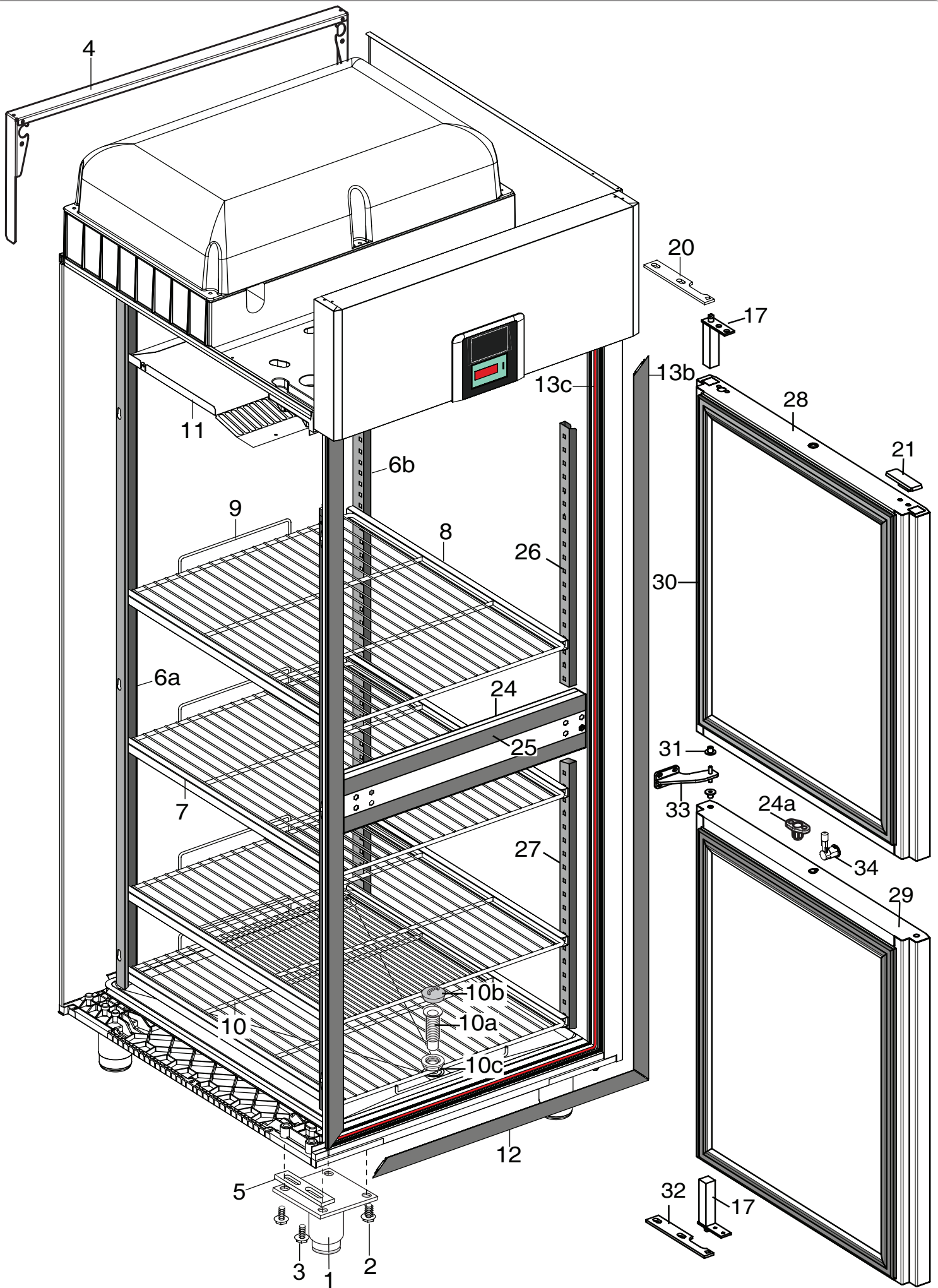
**Note:** for the correct identification of the components, follow the indicated pages and the reference letter.

### IndexIndice

Pag.	2,3	Cabinet and door	Armadio e porta
	4,5	Cooling unit assembly	Gruppo refrigerante
	6,7	Control panel	Pannello comandi
	8-10	Spare parts list	Lista ricambi

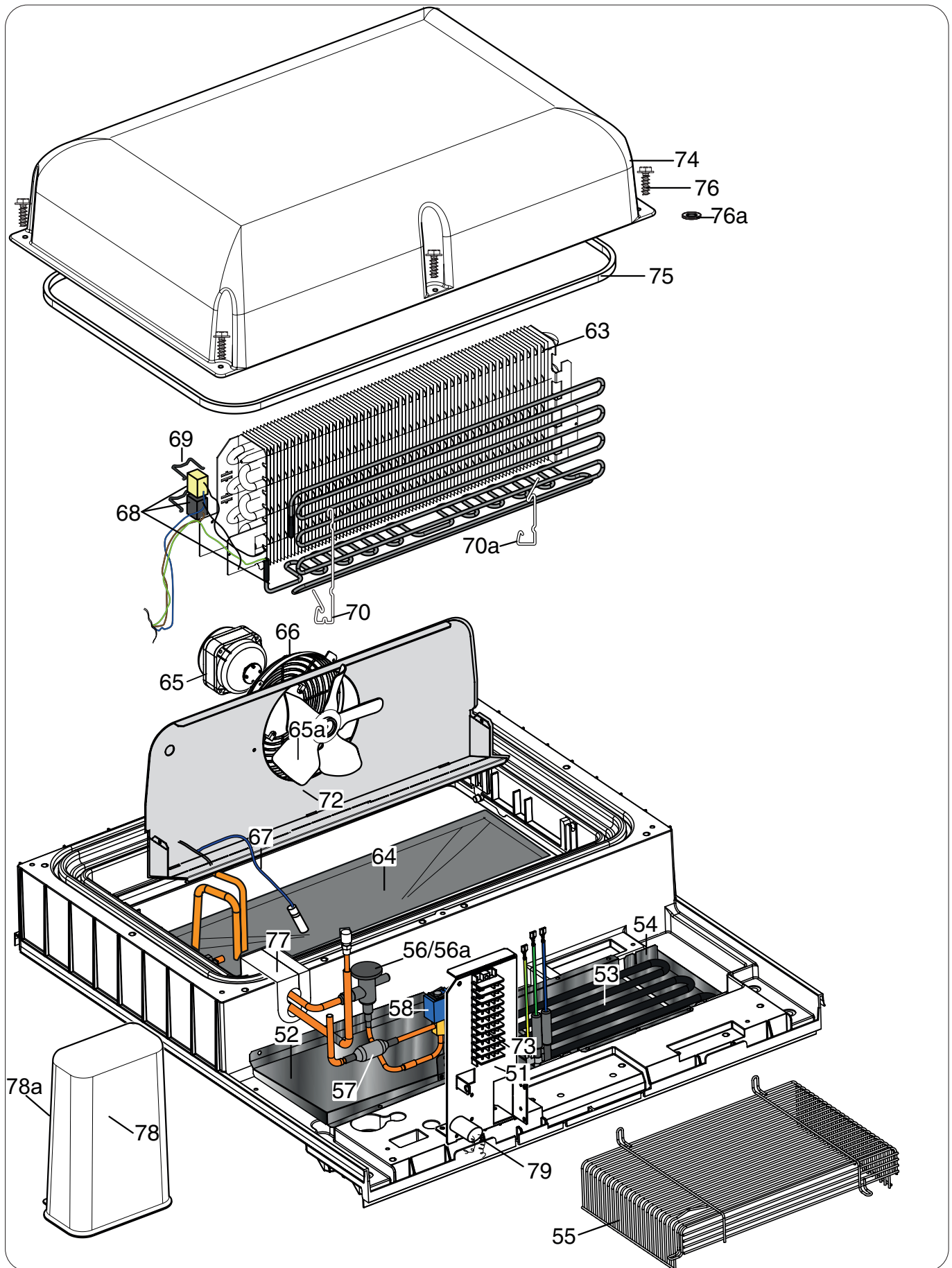
Rev: 8





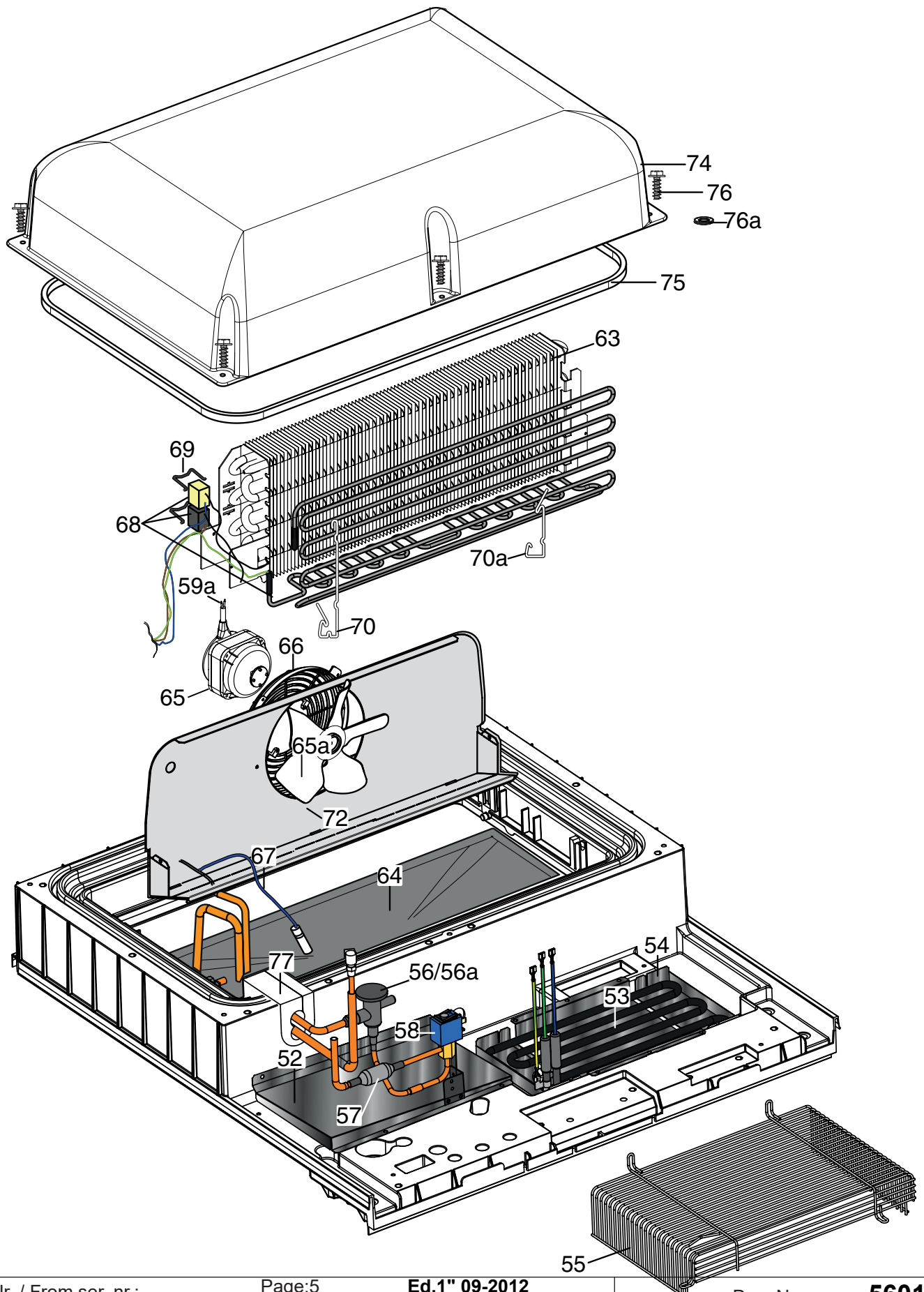
# COOLING UNIT ASSEMBLY

## up to 2021/37

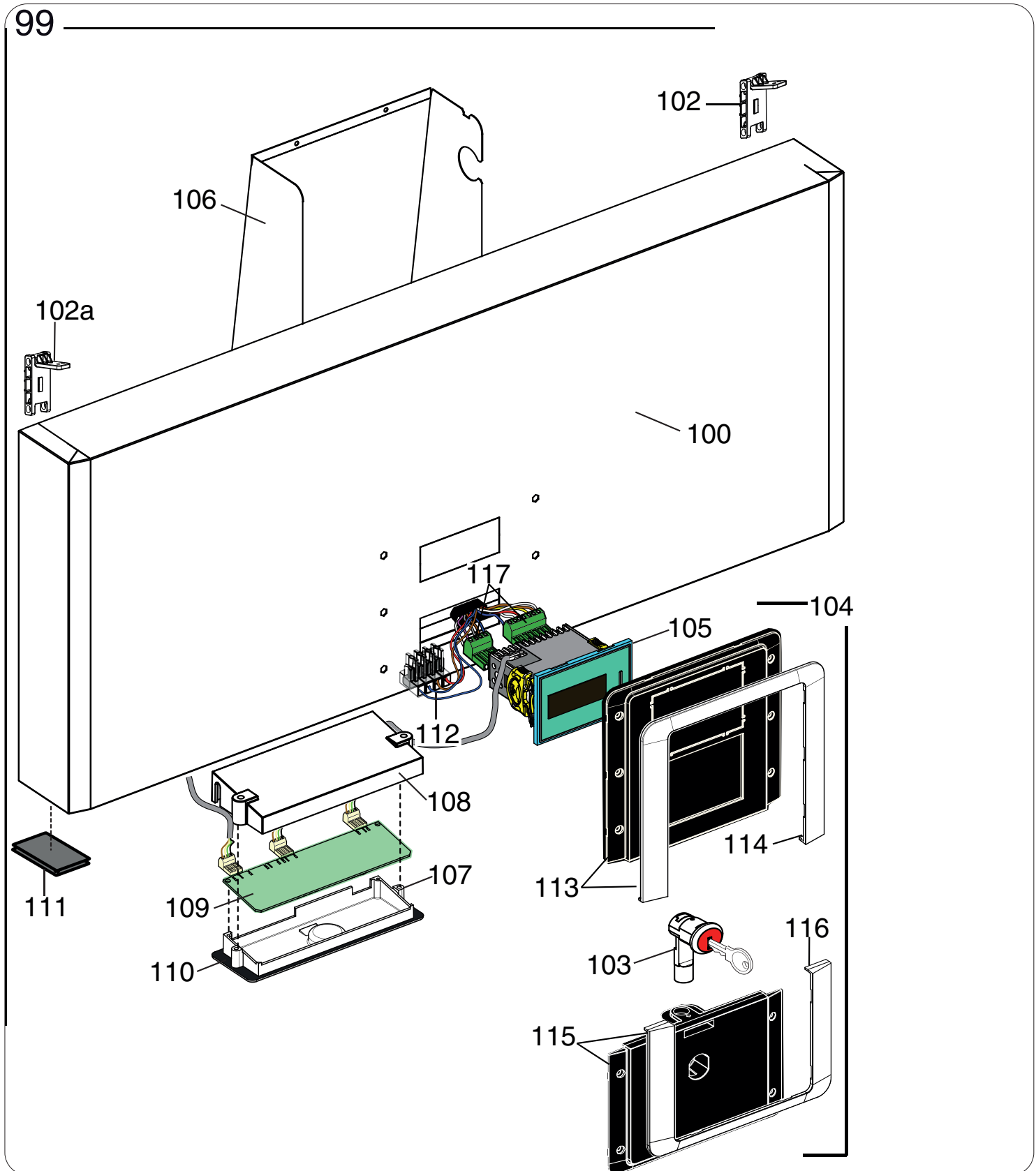


# COOLING UNIT ASSEMBLY

## from 2021/38

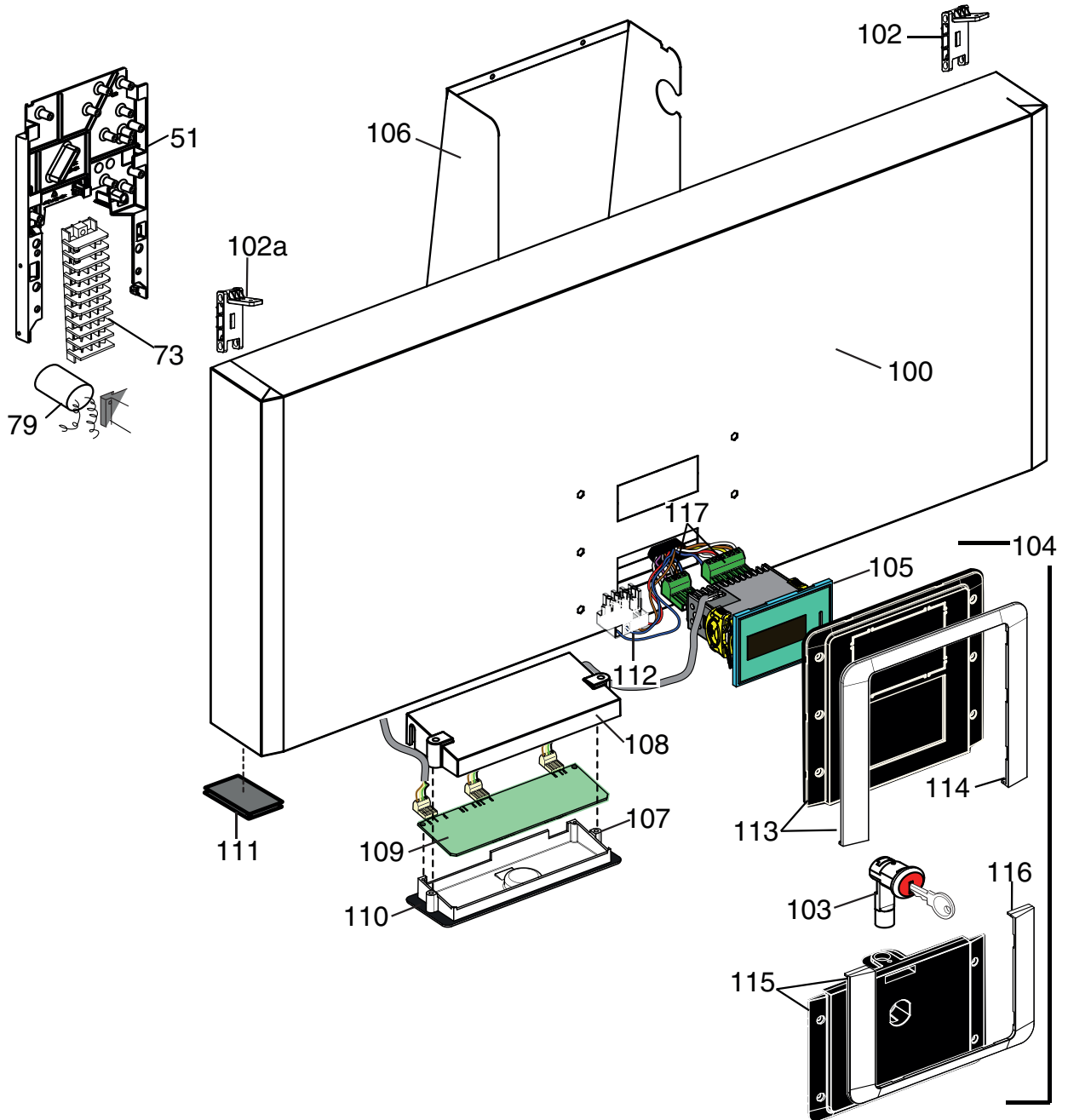


# CONTROL PANEL up to 2021/37



# CONTROL PANEL from 2021/38

99



Pos	Spare parts code	Factory code	Descrizione	Description	Ref - Note
1	093243	541R05001	Piedino	Foot	
2	093245	217555204	Vite per plastica per piedino	Screw ( use by fix foot)	
3	093246	518708601	Vite M8x20 per fiss. staffa sup/inf	Screw M8X20 ( use by fix bracket)	
4	093247	502R17400	Staffa supporto fianchi	Side support (upper)	
5	093248	546R22800	Distanziale per piede	Foot spacer	
6	093355	501R36201	Cremagliera anteriore	Front Rack	
6b	093356	501R48300	Cremagliera posteriore dx 304	Right back rack	
6a	093357	501R36101	Cremagliera posteriore sx 304	Left back rack	
7	093358	501R48000	Guida Sx	Left support	
8	093359	501R48200	Guida Dx	Right support	
9	093252	514R10600	Griglia 2/1 rilsan	Grid 2/1rilsan	a,b,c,d,g,h, i,j,k,l,m,n,o,p,q
9	093360	514R10700	Griglia 2/1 aisi 304	Grid 2/1 aisi 304	e,f
10	093253	514R12200	Griglia di fondo rilsan	Bottom grid rilsan	a,b,c,d,g,h, i,j,k,l,m,n,o,p,q
10	093296	514R12100	Griglia di fondo aisi 304	Bottom grid aisi 304	e,f
10a	093714	546R26000	Piletta	Drain pipe	
10b	085535	545733700	Tappo	Plug	
10c	081797	544701400	Dado per piletta	Nut pipe	
<b>11</b>	*	<b>875R37401</b>	<b>Assieme carter interno</b>	<b>Internal protection assembly</b>	
12	093254	832R09001	Cornice orizzontale	Horizontal frame	
13	093255	832R09101	Cornice verticale	Vertical frame	a,c,e,g,i,j,k,m,n,o,p
13b	093256	832R09301	Cornice verticale 1/2 porte	Vertical frame 1/2 doors	b,d,f,h,l,q
13a	093361	617R07101	Cavo riscaldante cornice 8,9 W	Heating cable frame 8,9 W	a,c,e,g,i,j,k,m,n,o Up to 2021/37
13a	093361	617R07101	Cavo riscaldante cornice 8,9 W	Heating cable frame 8,9 W	p always
<b>13a</b>	<b>097288</b>	<b>617R26000</b>	<b>Cavo riscaldante cornice 8,9 W</b>	<b>Heating cable frame 8,9 W</b>	<b>a,c,e,g,i,j,k,m,n,o From 2021/38</b>
<b>13c</b>	<b>093362</b>	<b>617R07302</b>	<b>Cavo riscaldante cornice 1/2 porte</b>	<b>Heating cable frame half doors</b>	<b>b,d,f,h,l</b>
14	093478	835R27208	Porta con guarnizione aisi 304	Gasket and door	a,c,e,g,i,j,k,m,n,o,p
15	093477	835R27607	Porta aisi 304	Door	a,c,e,g,i,j,k,m,n,o,p
16	094152	548R08000	Guarnizione porta cieca	Gasket full door	a,c,e,g,i,j,k,m,n,o,p
17	082219	835704001	Cerniera porta	Hinge door	
18	081654	544700601	Boccola per porta	Door bush	a,c,e,g,i,j,k,m,n,o,p
19	093341	833R21600	Staffa inferiore porta	Lower stirrup door	a,c,e,g,i,j,k,m,n,o,p
20	082257	505723802	Staffa superiore porta	Upper stirrup door	
21	093271	541R05301	Tappo per cerniere	Hole hinge plug	a,c,e,g,i,j,k,m,n,o
24a	*	541R06600	Tappo per serratura	Lock plug	b,d,f,h,l,q
24	093342	880R64100	Traversa per 1/2 porte a304	Support half door a304	b,d,f,h,l,q
25	093272	832R10000	Cornice per traversa	Support half door frame	b,d,f,h,l,q
26	093363	501R51700	Cremagliera ant. 1/2 porte sup.	Upper rack 1/2 doors a304	b,d,f,h,l,q
27	093364	501R46100	Cremagliera ant. 1/2 porte 304 inf.	Lower rack 1/2 doors a304	b,d,f,h,l,q
28	093546	835R26310	Ass.1/2 porta superiore a304	Upper half door a304	b,d,f,h,l,q
29	093519	835R25509	Ass.1/2 porta inferiore a304	Lower half door a304	b,d,f,h,l,q
30	094153	548R08100	Guarnizione magnetica 1/2 porte	Half door gasket	b,d,f,h,l,q
31	093517	546R23100	Boccola per cerniera 1/2 porte	Half door bush	b,d,f,h,l,q
32	093301	833R21900	Ass. staffa inf.( reversibile) pv-1\2p	Lower bracket ( reversible)	b,d,f,h,l,q
33	093344	505R12400	Cerniera centrale	Central hinge door	b,d,f,h,l,q
34	093433	833R21100	Serratura	Serratura	b,d,f,h,l,q
<b>51</b>		<b>502R24300</b>	<b>Supporto impianto elettrico</b>	<b>Electrical wiring support</b>	<b>Up to 2021/37</b>

Pos	Spare parts code	Factory code	Descrizione	Description	Ref - Note
51	097284	546R43401	Supporto impianto elettrico	Electrical wiring support	From 2021/38
52	093607	501R63701	Sgocciolatoio	Drainer	Not for q
53	093605	617R07902	Resistenza evaporazione 100W	Water evaporation heating element	Up to 2021/37
53	097289	617R26100	Resistenza evaporazione 100W	Water evaporation heating element	From 2021/38
54	093606	501R63601	Bacinella evaporazione	Water condensation basin	
55	093604	514R13101	Griglia protezione resistenza	Protection grid	
56	087333	646740901	Valvola termostatica R134A	Thermostatic Valve R134A	not for k,m,n,o,p,q
56	088501	646751900	Valvola R404A/R407F	Thermostatic Valve R404A/R407F	m,n,p
56	095674	646R16000	Valvola R407C/R448A/R449A	Thermostatic valve R407C/R448A/R449A	o
56a	089614	565717600	Isolante per valvola	Valve insulation	not for k,q
57	090229	525719000	Filtro meccanico a rete	Filter	not for k,q
58	093435	646R10501	Valvola solenoide	Solenoid valve	Up to 4151...
58	094435	646R10502	Valvola solenoide	Solenoid valve	From 4161.. not for k,q
59a	097055	635R37900	Cablaggio ventilatore	Fan wiring	
63	093323	830R03902	Evaporatore 2R 8T	Evaporator 2R 8T	
63	0TTX87	830R07500	Evaporatore 3R brine system	Evaporator 3R brine system	k
63		830R02B00	Evaporatore 2R 8T CO2	Evaporator 2R 8T CO2	j,q
64	093469	546R19201	Vaschetta evaporatore	Evaporator tray	
65	096231	682R12600	Ventilatore evaporatore (ebm)	Evaporator fan (ebm)	
65a	084920	511705100	Ventola 200-25	Fan 200	
66	089770	546709600	Griglia evap. P200	Fan protection	
67	092173	646R06700	Sonda cella	Cell probe	
68	093327	617R06101	Resistenza con termostati	Heating element with thermostat	Up to 2021/37
68	097286	617R25400	Resistenza con termostati	Heating element with thermostat	From 2021/38
68	093427	617R06002	Resistenza con termostati	Heating element with thermostat	k
69	093487	514R11600	Molla per fissaggio termostati	Thermostat spring	
70	093368	514R10801	Molla per fissaggio resistenza 2R	Heating element spring 2R	
70	093508	514R11102	Molla per fissaggio resistenza 3R	Heating element spring 3R	k
70a	093353	514R12000	Molla per fissaggio resistenza 83,5	Heating element spring 83,5	
72	093370	501R43901	Convogliatore evaporatore P.200	Evaporator conveyor A304	
73	093528	639R09900	Morsettiera	Clamp	
74	093261	835R24101	Assieme Calotta	Evaporator cover	Up to 6181
74	095201	835R47601	Assieme Calotta	Evaporator cover	From 6191
*	095202	546R34400	Staffa per calotta schiumata	Support for foamed Evaporator	
75	093262	14701R003	Neoprene espanso 8x13,3 nero (M4)	Gasket cover ( neoprene 8x13,3)	
76	093245	217555204	Vite senza punta x plastica	Cover screw	
76a	*	546R23900	Rondella in teflon	Bush	
77	093614	546R25800	Tamponcino per tubi	Pipe cover insulation	
78	094425	546R26501	Copertura scatola impianto elettrico	Wiring box cover	Up to 2021/37
78a	093976	546R26701	Scatola impianto elettrico	Wiring box	Up to 2021/37
79	096636	694R00502	Filtro antisturbo	Electrical filter	
99	*	880R77703	Crus.compl. senza mascherina A304	Panel complete without template A304	Up to 2021/37
99	*	883R21702	Crus.compl. senza mascherina A304	Panel complete without template A304	e From 2021/38
99	*	883R31801	Crus.compl. senza mascherina A304 remoto	Panel complete without template A304 remote	From 2021/38
100	093525	509R13404	Cruscotto comandi	Panel 304 AISI	Up to 2021/37
100		509R25001	Cruscotto comandi	Panel 304 AISI	From 2021/38
102	093609	832R10100	Cerniera per cruscotto DX	Right Hinge for panel	

Pos	Spare parts code	Factory code	Descrizione	Description	Ref - Note
102a	093610	832R10200	Cerniera per cruscotto SX	Left Hinge for panel	
103	093345	833R20900	Serratura	Latch	
104	093380	855R10801	Ass.mascherina porta/cruscotto Elux Prof	Complete template door and panel	a,b,g,h,j,k,m,o,p,q
104	093381	855R10900	Ass.mascherina porta/cruscotto zan	Complete template door and panel	c,d,n
104	093382	855R11000	Ass.mascherina porta/cruscotto alp	Complete template door and panel	e,f,i,l
105	093437	646R10601	Termoregolatore ir33 premium pc	Thermoregulator premium	To be set
<b>106</b>	<b>093975</b>	<b>546R26600</b>	<b>Protezione</b>	<b>Protection led-lamp</b>	<b>p up to 2021/43</b>
<b>106</b>	<b>097245</b>	<b>504R35000</b>	<b>Protezione</b>	<b>Protection led-lamp</b>	<b>p from 2021/44</b>
<b>106</b>	<b>093975</b>	<b>546R26600</b>	<b>Protezione</b>	<b>Protection led-lamp</b>	<b>Up to 2021/37</b>
<b>106</b>	<b>094389</b>	<b>501R37403</b>	<b>Protezione</b>	<b>Protection led-lamp</b>	<b>From 2021/38 Up to 2021/43</b>
<b>106</b>	<b>097245</b>	<b>504R35000</b>	<b>Protezione</b>	<b>Protection led-lamp</b>	<b>From 2021/44</b>
107	093386	546R19501	Supporto scheda led	Support led-lamp	
108	093387	546R19600	Protezione scheda led	Protection led-lamp	
109	093388	648R05500	Scheda led depotenziata	Led-lamp board	
110	093390	569R05900	Guarnizione per scheda led	Led-lamp board gasket	
111	093269	541R05401	Tappo per cerniera porta	Door hinge plug	
112	093391	639R10400	Morsetto	Clamp	
113	*	855R09900	Ass.mascherina cruscotto	Assembled template panel Elux Prof	a,b,g,h,j,k,m,o,p,q
113	*	855R10000	Ass.mascherina cruscotto	Assembled template panel Zan	c,d,n
113	*	855R10100	Ass.mascherina cruscotto	Assembled template panel APX	e,f,i,l
114	*	546R20000	Cornice mascherina cruscotto	Template frame panel	a,b,g,h,j,k,m,o,p,q
114	*	546R20100	Cornice mascherina cruscotto	Template frame panel	c,d,e,f,i,l,n
115	*	855R10500	Ass. Mascheria Porta Elux Prof	Assembled template Door Elux Prof	a,b,g,h,j,k,m,o,p,q
115	*	855R10600	Ass. Mascheria Porta Zan	Assembled template Door ZAn	c,d,n
115	*	855R10700	Ass. Mascheria Porta APX	Assembled template Door APX	e,f,i,l
116	*	546R20200	Cornice mascherina porta Elux Prof	Template frame door Elux Prof	a,b,g,h,j,k,m,o,p,q
116	*	546R20300	Cornice mascherina porta Zan, APX	Template frame door Zan, APX	c,d,e,f,i,l,n
*	093491	217541085	Vite per fissaggio mascherina M3x8	Screws M3X8 for control door/panel	
117	*	639R06800	Connettore dritto 3 vie	Connector 3 ways right	
117	*	639R06900	Connettore dritto 7 vie	Connector 7 ways right	
117	099740		Connettore 90° 7 vie	Connector 7 ways 90°	
117	099741		Connettore 90° 5 vie	Connector 5 ways 90°	
117	088998		Connettore 90° 3 vie	Connector 3 ways 90°	
117	099743		Connettore 90° 3 vie piccolo	Connector 3 ways 90° small	
117	099742		Connettore 90° 2 vie	Connector 2 ways 90°	
117	091682		Connettore 90° 4 vie	Connector 4 ways 90°	
117	091684		Connettore 90° 5 vie	Connector 5 ways 90°	
*	093180	639R09600	Convertitore spina UK	UK plug converter	g,h,i,l