



CABINETS PREMIUM

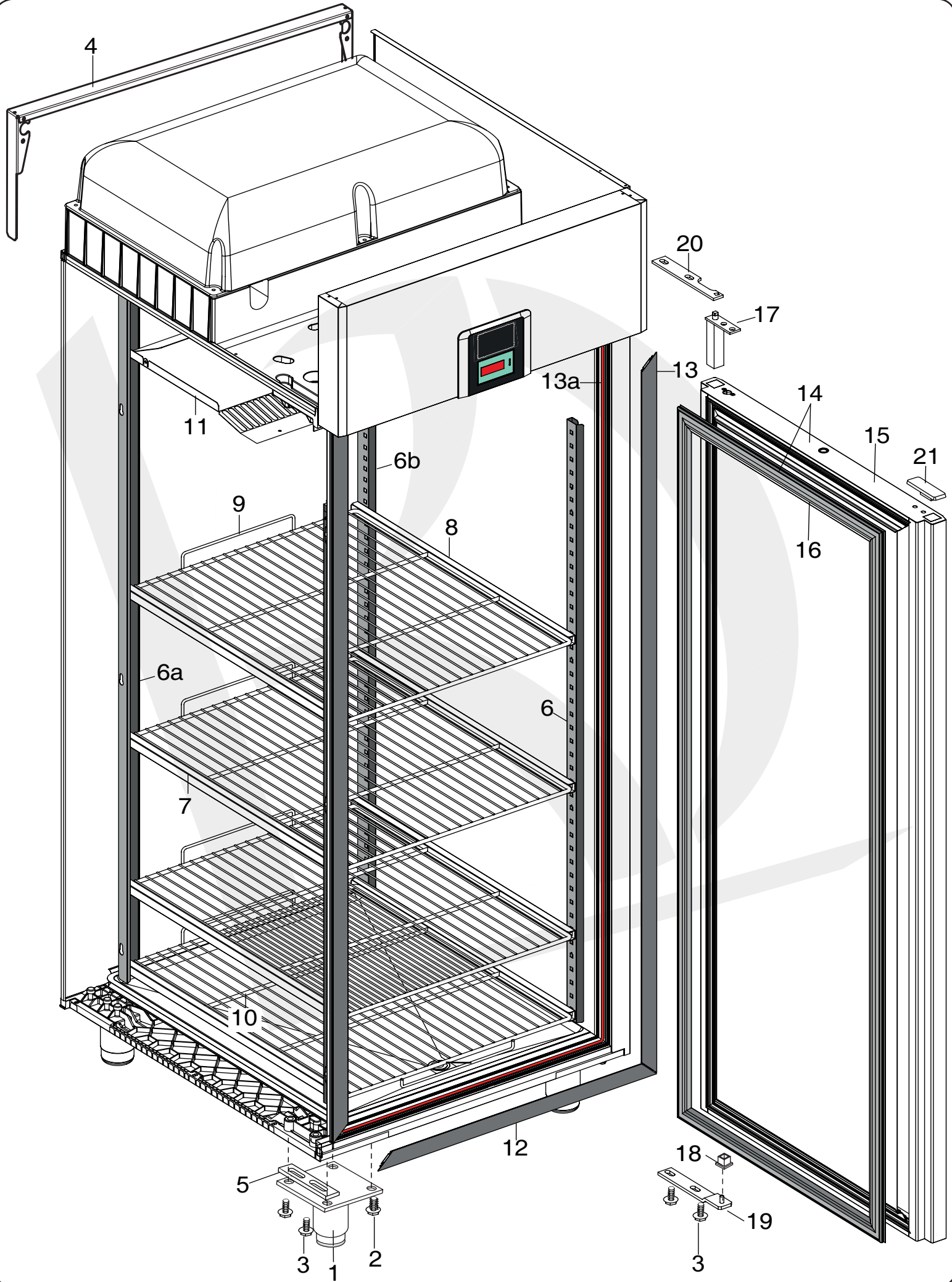
Remote *freezer*

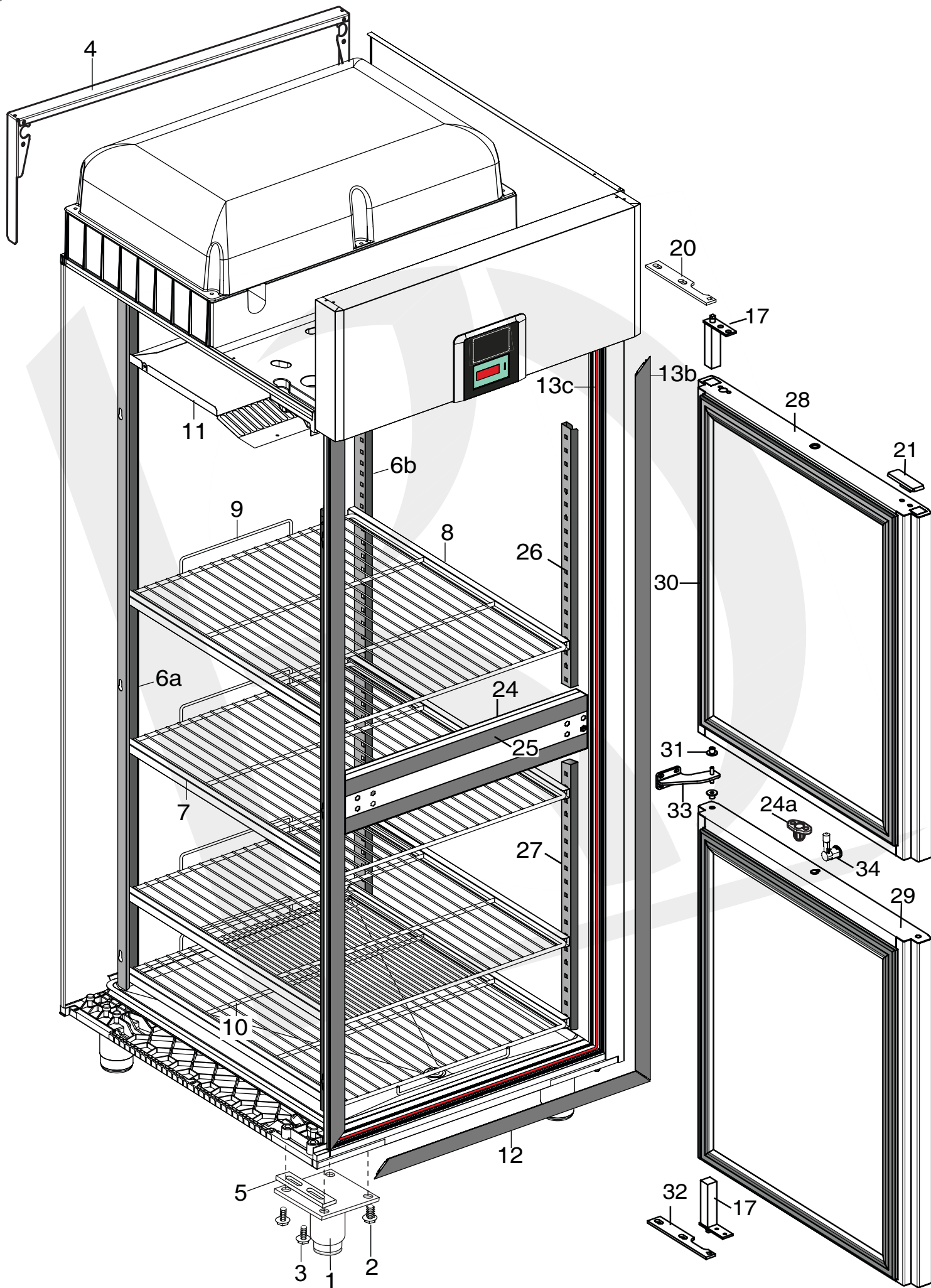
PNC	Avv. Model		Ref.	Page
727257	00/04	1-DOOR FREEZER 670L -15/-22°C, DIGITAL, REM ELUX	a	2, 4, 5
110124	00/04	1-DOOR FREEZER 670L -15/-22°C, DIGITAL, REM ZAN	c	2, 4, 5
728649	00/04	1-DOOR FREEZER 670L -15/-22°C, DIGITAL, REM NCAP	e	2, 4, 5
727345	00/04	1-DOOR FREEZER 670L -15/-22°C, DIGITAL, REM UK	g	2, 4, 5
727344	00/04	1/2-DOORS FREEZER 670L -15/-22°C, DIGITAL, REM UK	h	3, 4, 5
728722	00/00	1/2-DOORS FREEZER 670L -15/-22°C, DIGITAL, REM ALPEN UK	i	3, 4, 5
728723	00/00	1-DOOR FREEZER 670L -15/-22°C, DIGITAL, REM ALPEN UK	l	2, 4, 5

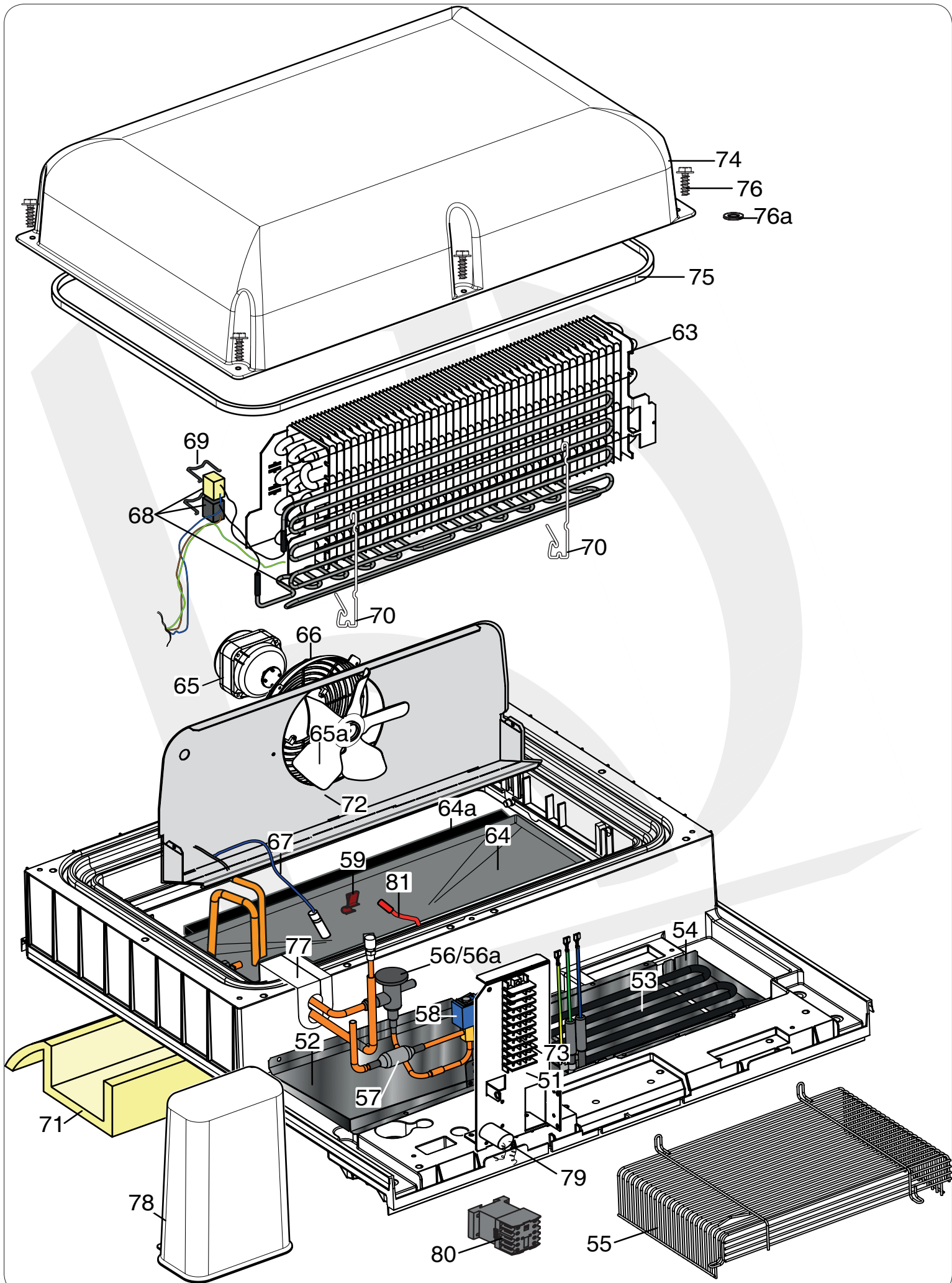
Note: per la corretta identificazione dei componenti, attenersi esclusivamente alle pagine indicate e alla lettera di riferimento.

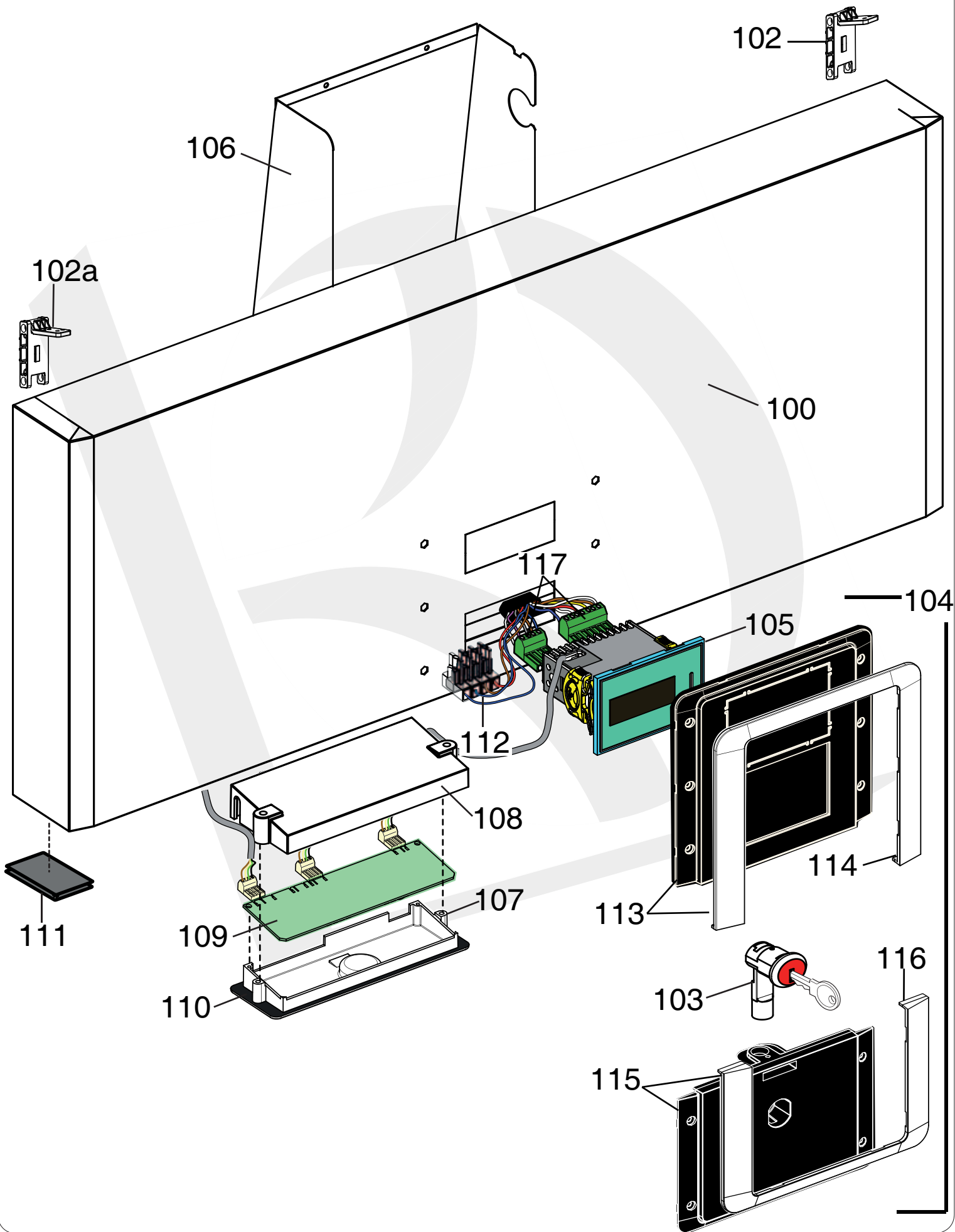
Note: for the correct identification of the components, follow the indicated pages and the reference letter

Pag.	Index	Indice
2,3	Cabinet and door	Armadio e porta
4	Cooling unit assembly	Gruppo refrigerante
5	Control panel	Pannello comandi
6,7,8	Spare parts list	Lista ricambi









PNC	Ref.	PNC	Ref.	PNC	Ref.	PNC	Ref.	PNC	Ref.	PNC	Ref.	PNC	Ref.
727257	a	110124	c	728649	e	727345	g	727344	h	728722	i	728723	l

Pos	Spare parts code	Factory code	Descrizione	Description	Ref - Note
1	93243	541R05001	Piedino	Foot	
2	93245	217555204	Vite per plastica per piedino	Screw (use by fix foot)	
3	93246	518708601	Vite M8x20 per fiss. staffa sup/inf	Screw M8X20 (use by fix bracket)	
4	93247	502R17400	Staffa supporto fianchi	Side support (upper)	
5	93248	546R22800	Distanziale per piede	Foot spacer	
6	93355	501R36201	Cremagliera anteriore	Front Rack	
6b	93356	501R48300	Cremagliera posteriore dx 304	Right back rack	
6a	93357	501R36101	Cremagliera posteriore sx 304	Left back rack	
7	93358	501R48000	Guida Sx	Left support	
8	93359	501R48200	Guida Dx	Right support	
9	93252	514R10600	Griglia 2/1 rilsan	Grid 2/1rilsan	a,c,g,h,i,l
9	93360	514R10700	Griglia 2/1 aisi 304	Grid 2/1 aisi 304	e,f
10	93253	514R12200	Griglia di fondo rilsan	Bottom grid rilsan	a,c,g,h,i,l
10	93296	514R12100	Griglia di fondo aisi 304	Bottom grid aisi 304	e,f
11	93493	501R56400	Carter interno 304	Internal protection aisi 304	
12	93254	832R09001	Cornice orrizzontale	Orrizzontal frame	
13	93255	832R09101	Cornice verticale	Vertical frame	a,c,e,g,l
13b	93256	832R09301	Cornice verticale 1/2 porte	Vertical frame 1/2 doors	h
13a	93330	617R06700	Cavo riscaldante cornice 22.25W	Heating cable frame 22.25W	a,c,e,g,l
13c	93362	617R07300	Cavo riscaldante cornice 1/2 porte	Heating cable frame half doors	h
14	93523	835R25100	Porta con guarnizione aisi 304 BT	Gasket and door Freezer	a,c,e,g,l
15	93524	835R25000	Porta aisi 304 bt	Door freezer	a,c,e,g,l
16	93257	548R06802	Guarnizione porta pv/pc	Gasket door (gl/fl)	a,c,e,g,l
17	82219	835704001	Cerniera porta	Hinge door	
18	81654	544700601	Boccola per porta	Door bush	a,c,e,g,l
19	93341	833R21600	Staffa inferiore porta	Lower stirrup door	a,c,e,g,l
20	82257	505723802	Staffa superiore porta	Upper stirrup door	
21	93271	541R05300	Tappo per cerniere	Hole hinge plug	a,c,e,g,l
24a	*	541R06600	Tappo per serratura	Lock plug	
24	93342	880R64100	Traversa per 1/2 porte a304	Support half door a304	
25	93272	832R10000	Cornice per traversa	Support half door frame	
26	93363	501R51700	Cremagliera ant. 1/2 porte sup.	Upper rack 1/2 doors a304	
27	93364	501R46100	Cremagliera ant. 1/2 porte 304 inf.	Lower rack 1/2 doors a304	
28	93546	835R26301	Ass.1/2 porta superiore a304	Upper half door a304	
29	93519	835R25502	Ass.1/2 porta inferiore a304	Lower half door a304	
30	93273	548R07100	Guarnizione magnetica 1/2 porte	Half door gasket	
31	93517	546R23100	Boccola per cerniera 1/2 porte	Half door bush	
32	93301	833R21900	Ass. staffa inf.(reversibile) pv-1\2p	Lower bracket (reversible)	
33	93344	505R12400	Cerniera centrale	Central hinge door	
34	93433	833R21100	Serratura	Serratura	
		880R76601			

PNC	Ref.	PNC	Ref.	PNC	Ref.	PNC	Ref.	PNC	Ref.	PNC	Ref.	PNC	Ref.
727257	a	110124	c	728649	e	727345	g	727344	h	728722	i		

Pos	Spare parts code	Factory code	Descrizione	Description	Ref-Note
51	*	501R66800	Supporto impianto elettrico	Electrical wiring support	
52	93607	501R63701	Sgocciolatoio	Drainer	
53	93605	617R07901	Resistenza evaporazione 100W	Water evaporation heating element	
54	93606	501R63601	Baccinella evaporazione	Water condensation basin	
55	93604	514R13101	Griglia protezione resistenza	Protection grid	
56	87334	646741000	Valvola termostatica (404A)	Thermostatic Valve (404A)	
56a	89614	565717600	Isolante per valvola	Valve insulation	
57	90229	525719000	Filtro meccanico a rete	Filter	
58	93435	646R10501	Valvola solenoide	Solenoid valve	
59	93547	514R12900	Molla per fissaggio resistenza	Spring to retaining heating element	
63	93335	830R04001	Evaporatore 3R 8T	Evaporator 2R 8T	
64	93278	833R21201	Vaschetta evaporatore	Evaporator tray	
64a	93409	548R07200	Isolamento per vaschetta	Basin insulation	
65	93410	682R06500	Ventilatore evaporatore (ebm)1800	Evaporator fan (ebm) 1800	
65a	93411	511R01100	Ventola 154	Fan 154	
66	93412	514R12300	Griglia evap.	Fan protection	
67	92173	646R06700	Sonda cella	Cell probe	
68	93347	617R06200	Resistenza con termostati	Heating element with thermostat	
69	93487	514R11600	Molla per fissaggio termostati	Thermostat spring	
70	93516	514R11200	Molla per fissaggio resistenza 3R	Heating element spring 3R	
71	93489	559R01900	Coibentazione per carter	Carter insulation	
72	*	501R71900	Convogliatore evaporatore	Evaporator conveyor	
73	93528	639R09900	Morsettiera	Clamp	
74	93261	835R24101	Assieme Calotta	Evaporator cover	
75	93262	14701R003	Neoprene espanso 8x13,3 nero (M4)	Gasket cover (neoprene 8x13,3)	
76	93245	217555204	Vite senza punta x plastica	Cover screw	
76a	*	546R23900	Rondella in teflon	Bush	
77	93614	546R25800	Tamponcino per tubi	Pipe cover insulation	
78	93264	541R04800	Copertura impianto elettrico	Wiring cover	
79	92257	694R00501	Filtro antidisturbo	Electrical filter	
80	88557	648727100	Teleruttore	Contactator	
81	93415	617R07800	Resistenza scarico condensa	Heating element for discharge water condenser	
99	*	880R77703	Crus. compl. senza mascherina A304	Panel complete without template A304	
100	93525	509R13403	Cruscotto comandi	Panel 304 AISI	
102	93609	832R10100	Cerniera per cruscotto DX	Right Hinge for panel	
102a	93610	832R10200	Cerniera per cruscotto SX	Left Hinge for panel	
103	93345	833R20900	Serratura	Latch	
104	93383	855R11100	Ass.macherina porta/cruscotto elux	Complete template door and panel	a,g,h
104	93384	855R11200	Ass.macherina porta/cruscotto zan	Complete template door and panel	c,d
104	93385	855R11300	Ass.macherina porta/cruscotto alp	Complete template door and panel	e,f,i,l

