



CABINETS PREMIUM

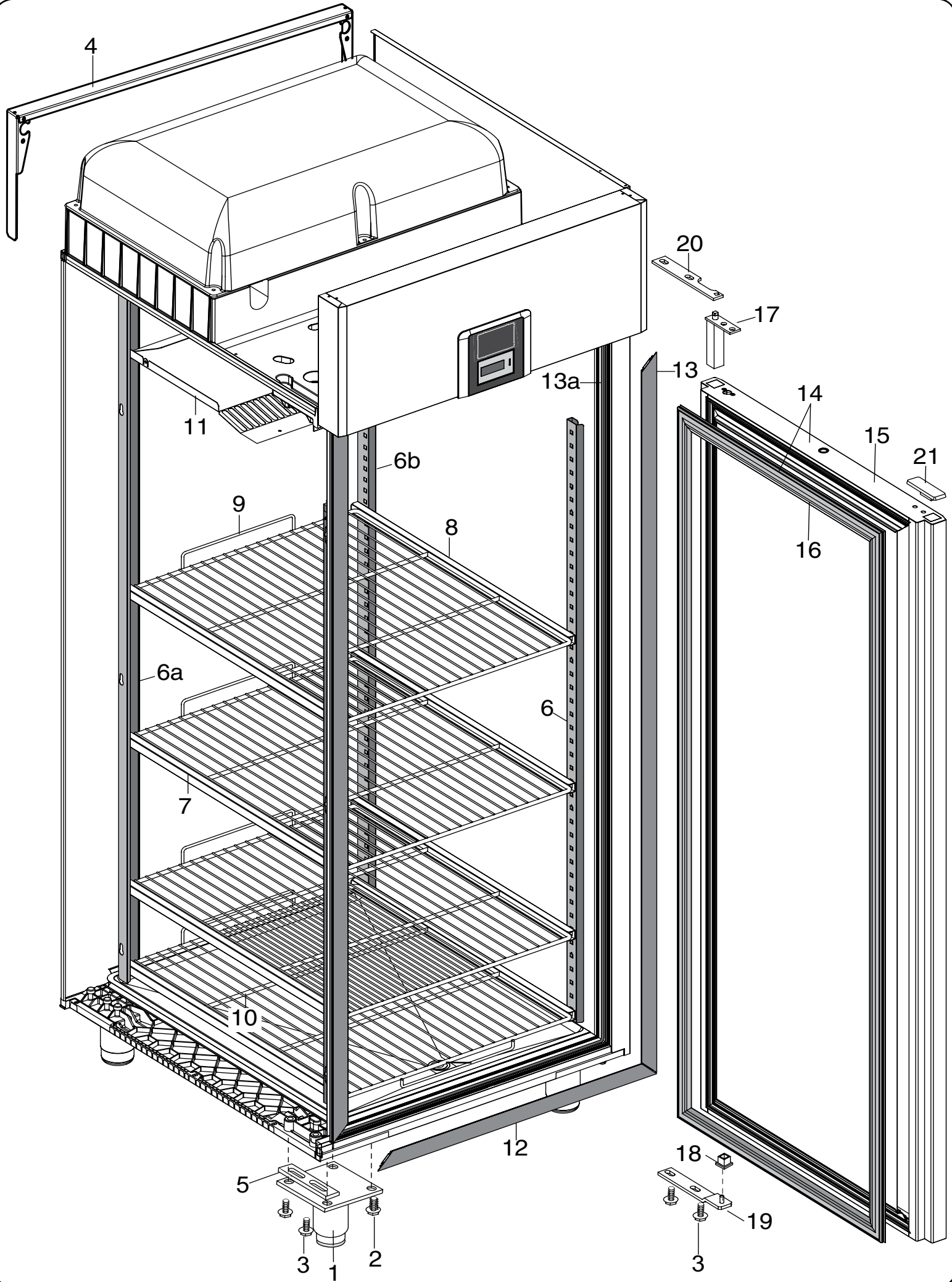
Remote *freezer*

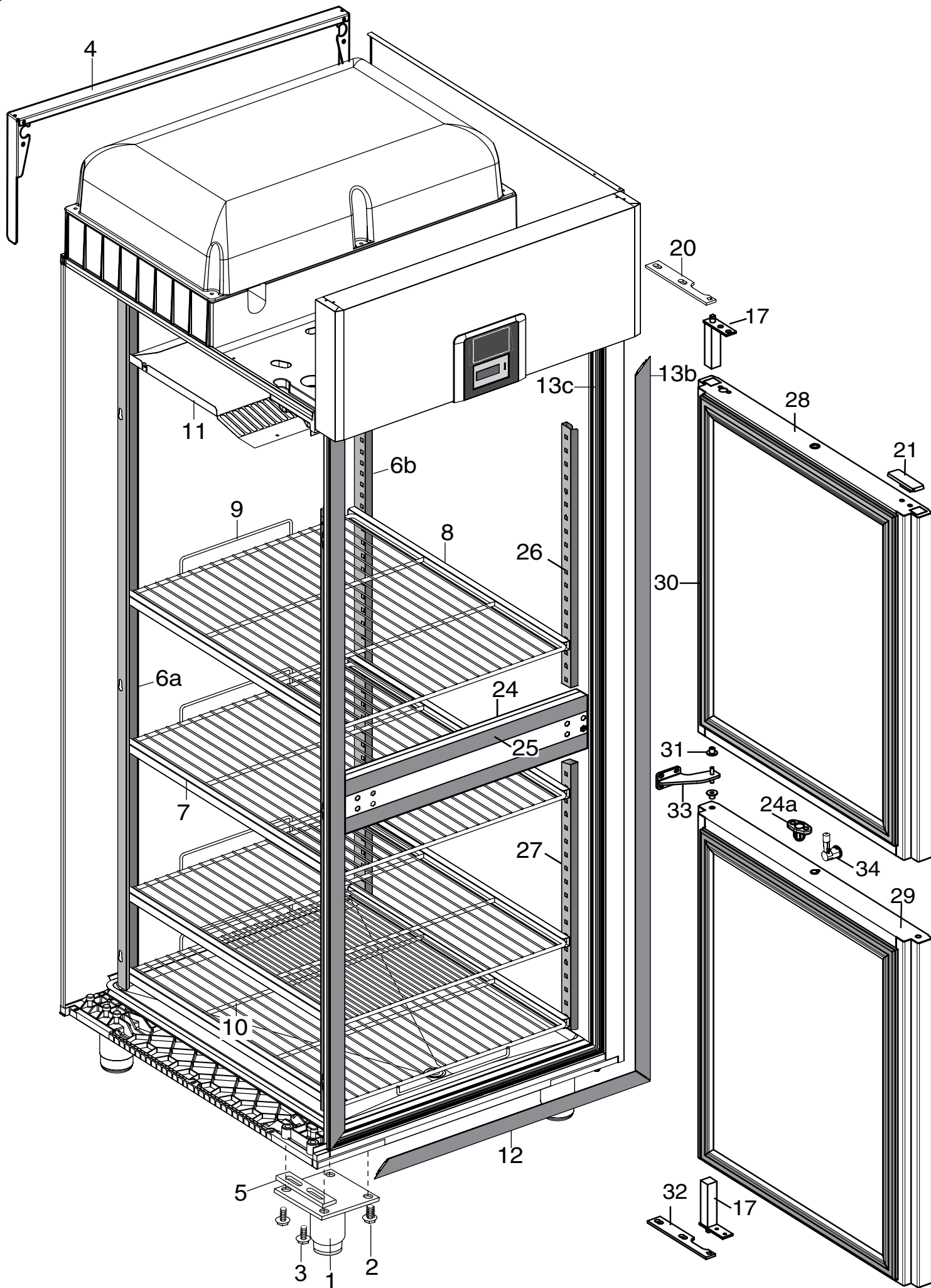
Code	Av.	Model	Type	Ref.	Brand	Page
110124	12/12	NPT71FFR	1-DOOR FREEZER 670L -15/-22°C, DIGITAL, REM	c	ZAN	2,4,5
190104	00/00	ESP71FFR7	1-DOOR FREEZER 670L -22/-15°, DIGITAL, REM R407A	b	ELUX	2,4,5
190988	00/00	ESP71FFR	1-DOOR FREEZER 670L -22/-15°, DIGITAL, REM	d	ELUX	2,4,5
727257	17/17	ESP71FFR	1-DOOR FREEZER 670L -15/-22°C, DIGITAL, REM	a	ELUX	2,4,5
727344	13/13	ESP72HFRG	1/2-DOORS FREEZER 670L -15/-22°C, DIGITAL, REM UK	h	ELUX	3,4,5
727345	12/12	ESP71FFRG	1-DOOR FREEZER 670L -15/-22°C, DIGITAL, REM UK	g	ELUX	2,4,5
728649	12/12	CTE71FFR	1-DOOR FREEZER 670L -15/-22°C, DIGITAL, REM NCAP	e	ALPEN	2,4,5
728722	09/09	CTE72HFRG	1/2-DOORS FREEZER 670L -15/-22°C, DIGITAL, REM UK	i	ALPEN	3,4,5
728723	08/08	CTE71FFRG	1-DOOR FREEZER 670L -15/-22°C, DIGITAL, REM UK	l	ALPEN	2,4,5

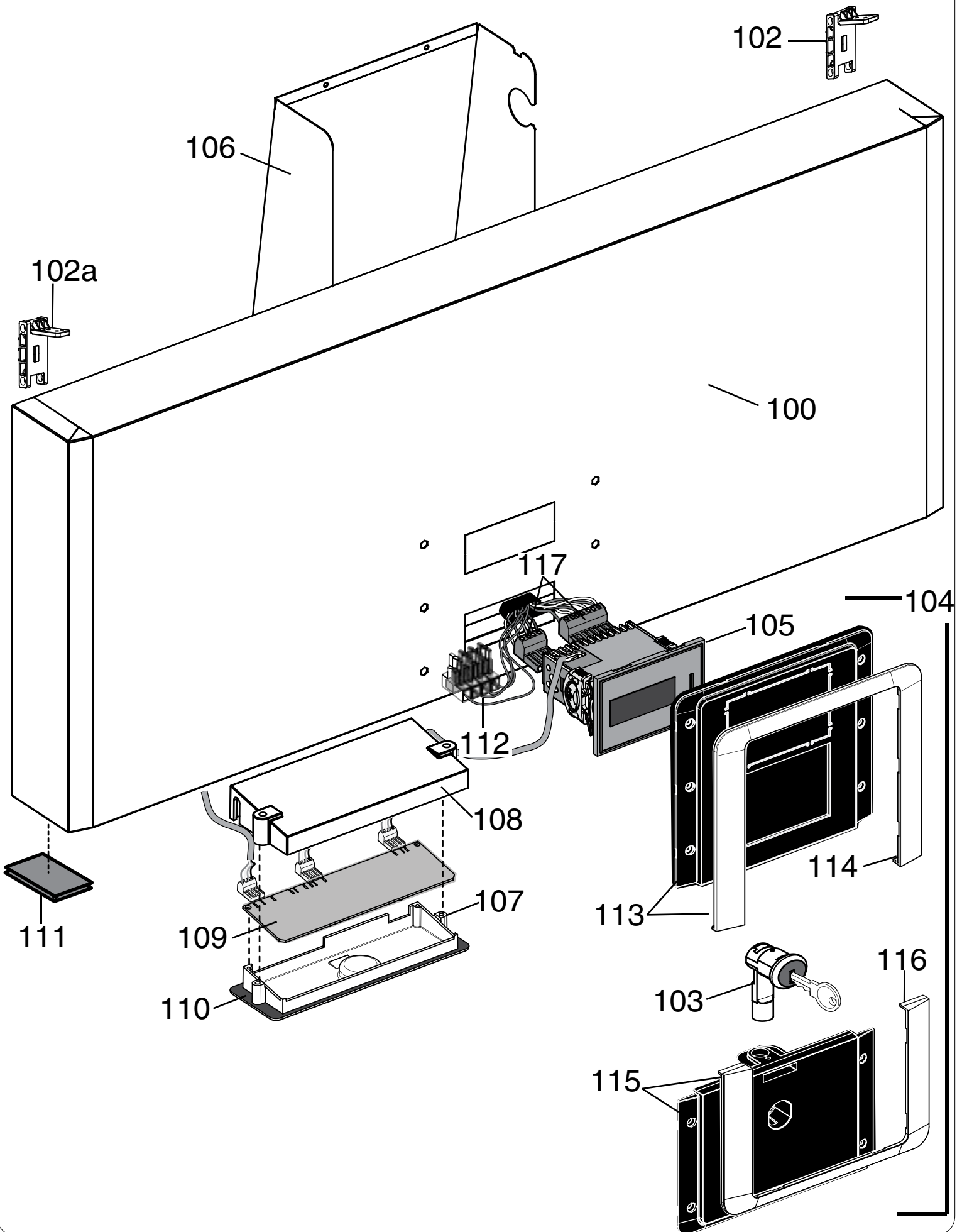
Note: per la corretta identificazione dei componenti, attenersi esclusivamente alle pagine indicate e alla lettera di riferimento.

Note: for the correct identification of the components, follow the indicated pages and the reference letter.

Pag.	Index	Indice
2,3	Cabinet and door	Armadio e porta
4	Cooling unit assembly	Gruppo refrigerante
5	Control panel	Pannello comandi
6..9	Spare parts list	Lista ricambi







PNC	Ref.	PNC	Ref.	PNC	Ref.	PNC	Ref.	PNC	Ref.	PNC	Ref.	PNC	Ref.
727257	a	110124	c	728649	e	727345	g	727344	h	728722	i	728723	l
190104	b	190988	d										

Pos	Spare parts code	Factory code	Descrizione	Description	Ref - Note
1	93243	541R05001	Piedino	Foot	
2	93245	217555204	Vite per plastica per piedino	Screw (use by fix foot)	
3	93246	518708601	Vite M8x20 per fiss. staffa sup/inf	Screw M8X20 (use by fix bracket)	
4	93247	502R17400	Staffa supporto fianchi	Side support (upper)	
5	93248	546R22800	Distanziale per piede	Foot spacer	
6	93355	501R36201	Cremagliera anteriore	Front Rack	
6b	93356	501R48300	Cremagliera posteriore dx 304	Right back rack	
6a	93357	501R36101	Cremagliera posteriore sx 304	Left back rack	
7	93358	501R48000	Guida Sx	Left support	
8	93359	501R48200	Guida Dx	Right support	
9	93252	514R10600	Griglia 2/1 rilsan	Grid 2/1rilsan	a,b,c,d,g,h,i,l
9	93360	514R10700	Griglia 2/1 aisi 304	Grid 2/1 aisi 304	e,f
10	93253	514R12200	Griglia di fondo rilsan	Bottom grid rilsan	a,b,c,d,g,h,i,l
10	93296	514R12100	Griglia di fondo aisi 304	Bottom grid aisi 304	e,f
11	93493	501R56400	Carter interno 304	Internal protection aisi 304	
12	93254	832R09001	Cornice orrizzontale	Orrizzontal frame	
13	93255	832R09101	Cornice verticale	Vertical frame	a,b,c,d,e,g,l
13b	93256	832R09301	Cornice verticale 1/2 porte	Vertical frame 1/2 doors	h,i
13a	93330	617R06701	Cavo riscaldante cornice 22.25W	Heating cable frame 22.25W	a,b,c,d,e,g,l
13c	93362	617R07300	Cavo riscaldante cornice 1/2 porte	Heating cable frame half doors	h,i
14	93523	835R25108	Porta con guarnizione aisi 304 BT	Gasket and door Freezer	a,b,c,d,e,g,l
15	93524	835R25007	Porta aisi 304 bt	Door freezer	a,b,c,d,e,g,l
16	93257	548R06802	Guarnizione porta pv/pc	Gasket door (gl/fl)	a,b,c,e,g,l up to 3471
16	94152	548R08000	Guarnizione porta pv/pc	Gasket door (gl/fl)	a,b,c,d,e,g,l from 3481
17	82219	835704001	Cerniera porta	Hinge door	
18	81654	544700601	Boccola per porta	Door bush	a,b,c,d,e,g,l
19	93341	833R21600	Staffa inferiore porta	Lower stirrup door	a,b,c,d,e,g,l
20	82257	505723802	Staffa superiore porta	Upper stirrup door	
21	93271	541R05300	Tappo per cerniere	Hole hinge plug	a,b,c,d,e,g,l
24a	*	541R06600	Tappo per serratura	Lock plug	
24	93342	880R64100	Traversa per 1/2 porte a304	Support half door a304	
25	93272	832R10000	Cornice per traversa	Support half door frame	
26	93363	501R51700	Cremagliera ant. 1/2 porte sup.	Upper rack 1/2 doors a304	
27	93364	501R46100	Cremagliera ant. 1/2 porte 304 inf.	Lower rack 1/2 doors a304	
28	93546	835R26301	Ass.1/2 porta superiore a304	Upper half door a304	
29	93519	835R25502	Ass.1/2 porta inferiore a304	Lower half door a304	
30	93273	548R07100	Guarnizione magnetica 1/2 porte	Half door gasket	h,i up to 3471
30	94153	548R08100	Guarnizione magnetica 1/2 porte	Half door gasket	h,i from 3481

PNC	Ref.	PNC	Ref.	PNC	Ref.	PNC	Ref.	PNC	Ref.	PNC	Ref.	PNC	Ref.
727257	a	110124	c	728649	e	727345	g	727344	h	728722	i	728723	l
190104	b	190988	d										

Pos	Spare parts code	Factory code	Descrizione	Description	Ref - Note
-----	------------------	--------------	-------------	-------------	------------

31	93517	546R23100	Boccola per cerniera 1/2 porte	Half door bush	
32	93301	833R21900	Ass. staffa inf.(reversibile) pv-1\2p	Lower bracket (reversible)	
33	93344	505R12400	Cerniera centrale	Central hinge door	
34	93433	833R21100	Serratura	Serratura	
		880R76608	MOD.GRUPPO 1M BT -15/-22°C REMOTO	MODULE REMOTE GROUP 1M BT -15/-22°C	a,c,e,g,h,i,l
		881R58800	MOD.GRUPPO 1-2 M BT -15/-22°C REMOTO	MODULE REMOTE GROUP 1-2 M BT -15/-22°C	b
		882R45500	MOD.GRUPPO 1M BT -15/-22°C REMOTO	MODULE REMOTE GROUP 1M BT -15/-22°C	d
51	*	501R66800	Supporto impianto elettrico	Electrical wiring support	
52	93607	501R63701	Sgocciolatoio	Drainer	
53	93605	617R07901	Resistenza evaporazione 100W	Water evaporation heating element	
54	93606	501R63601	Bacinella evaporazione	Water condensation basin	
55	93604	514R13101	Griglia protezione resistenza	Protection grid	
56	87334	646741000	Valvola termostatica - R404A	Thermostatic Valve - R404A	a,c,e,g,h,i,l
56		652F00000	Valvola termostatica - R407A	Thermostatic Valve - R407A	b
56	95541	646R13900	Valvola termost. R407C/448A/449A	Thermostatic Valve R407C/448A/449A	d
56a	89614	565717600	Isolante per valvola	Valve insulation	
57	90229	525719000	Filtro meccanico a rete	Filter	
58	93435	646R10501	Valvola solenoide	Solenoid valve	Up to 4151...
58	94435	646R10502	Valvola solenoide	Solenoid valve	From 4161...
59	93547	514R12900	Molla per fissaggio resistenza	Spring to retaining heating element	
63	93335	830R04001	Evaporatore 3R 8T	Evaporator 3R 8T	
64	93278	833R21201	Vaschetta evaporatore	Evaporator tray	
64a	93409	548R07200	Isolamento per vaschetta	Basin insulation	
65	93410	682R06500	Ventilatore evaporatore (ebm)1800	Evaporator fan (ebm) 1800	Up to 5051...
65	94487	682R08700	Ventilatore evaporatore (ebm)1800	Evaporator fan (ebm) 1800	From 5061...
65a	93411	511R01100	Ventola 154	Fan 154	
66	93412	514R12300	Griglia evap.	Fan protection	
67	92173	646R06700	Sonda cella	Cell probe	
68	93347	617R06200	Resistenza con termostati	Heating element with thermostat	
69	93487	514R11600	Molla per fissaggio termostati	Thermostat spring	
70	93516	514R11200	Molla per fissaggio resistenza 3R	Heating element spring 3R	
71	93489	559R01900	Coibentazione per carter	Carter insulation	
72	*	501R71900	Convogliatore evaporatore	Evaporator conveyor	
73	93528	639R09900	Morsettiera	Clamp	
74	93261	835R24101	Assieme Calotta	Evaporator cover	Up to 6181
74	*	835R47601	Assieme Calotta	Evaporator cover	From 6191
75	93262	14701R003	Neoprene espanso 8x13,3 nero (M4)	Gasket cover (neoprene 8x13,3)	
76	93245	217555204	Vite senza punta x plastica	Cover screw	
76a	*	546R23900	Rondella in teflon	Bush	

PNC	Ref.	PNC	Ref.	PNC	Ref.	PNC	Ref.	PNC	Ref.	PNC	Ref.	PNC	Ref.
727257	a	110124	c	728649	e	727345	g	727344	h	728722	i	728723	l
190104	b	190988	d										

Pos	Spare parts code	Factory code	Descrizione	Description	Ref - Note
-----	------------------	--------------	-------------	-------------	------------

77	93614	546R25800	Tamponcino per tubi	Pipe cover insulation	
78	93264	541R04800	Copertura impianto elettrico	Wiring cover	
79	92257	694R00501	Filtro antidisturbo	Electrical filter	
80	88557	648727100	Teleruttore	Contactora	
81	93415	617R07801	Resistenza scarico condensa	Heating element for discharge water condenser	
99	*	880R77703	Crus. compl. senza mascherina A304	Panel complete without template A304	
100	93525	509R13403	Cruscotto comandi	Panel 304 AISI	
102	93609	832R10100	Cerniera per cruscotto DX	Right Hinge for panel	
102a	93610	832R10200	Cerniera per cruscotto SX	Left Hinge for panel	
103	93345	833R20900	Serratura	Latch	
104	93383	855R11101	Ass.macherina porta/cruscotto elux	Complete template door and panel	a,b,d,g,h
104	93384	855R11200	Ass.macherina porta/cruscotto zan	Complete template door and panel	c,d
104	93385	855R11300	Ass.macherina porta/cruscotto alp	Complete template door and panel	e,f,i,l
105	93437	646R10601	Termoregolatore ir33 premium pc	Thermoregulator premium	To be set
106	93295	501R37401	Protezione	Protection led-lamp	
107	93386	546R19501	Supporto scheda led	Support led-lamp	
108	93387	546R19600	Protezione scheda led	Protection led-lamp	
109	93388	648R05500	Scheda led depotenziata	Led-lamp board	
110	93390	569R05900	Guarnizione per scheda led	Led-lamp board gasket	
111	93269	541R05400	Tappo per cerniera porta	Door hinge plug	
112	93391	639R10400	Morsetto	Clamp	
113	*	855R10200	Ass.mascherina cruscotto	Assembled template panel Elux	a,b,d,g,h
113	*	855R10300	Ass.mascherina cruscotto	Assembled template panel Zan	c,d
113	*	855R10400	Ass.mascherina cruscotto	Assembled template panel APX	e,f,i,l
114	*	546R20000	Cornice mascherina cruscotto	Template frame panel	a,b,d,g,h
114	*	546R20100	Cornice mascherina cruscotto	Template frame panel	c,e,f,i,l
115	*	855R10501	Ass. Mascheria Porta Elux	Assembled template Door Elux	a,b,d,g,h
115	*	855R10600	Ass. Mascheria Porta Zan	Assembled template Door ZAn	c,d
115	*	855R10700	Ass. Mascheria Porta APX	Assembled template Door APX	e,f,i,l
116	*	546R20200	Cornice mascherina porta elux	Template frame door elux	a,b,d,g,h
116	*	546R20300	Cornice mascherina porta Zan, APX	Template frame door Zan, APX	c,e,f,i,l
*	93491	217541085	Vite per fissaggio mascherina M3x8	Screws M3X8 for control door/panel	
117	*	639R06800	Connettore dritto 3 vie	Connector 3 ways right	
117	*	639R06900	Connettore dritto 7 vie	Connector 7 ways right	
117	99740	*	Connettore 90° 7 vie	Connector 7 ways 90°	
117	99741	*	Connettore 90° 5 vie	Connector 5 ways 90°	
117	88998	*	Connettore 90° 3 vie	Connector 3 ways 90°	
117	99743	*	Connettore 90° 3 vie piccolo	Connector 3 ways 90° small	

PNC	Ref.	PNC	Ref.	PNC	Ref.	PNC	Ref.	PNC	Ref.	PNC	Ref.	PNC	Ref.
727257	a	110124	c	728649	e	727345	g	727344	h	728722	i	728723	l
190104	b	190988	d										

Pos	Spare parts code	Factory code	Descrizione	Description	Ref - Note
-----	------------------	--------------	-------------	-------------	------------

117	99742	*	Connettore 90° 2 vie	Connector 2 ways 90°	
117	91682	*	Connettore 90° 4 vie	Connector 4 ways 90°	
117	91684	*	Connettore 90° 5 vie	Connector 5 ways 90°	
*	93180	639R09600	Convertitore spina UK	UK plug converter	g,h,i,l