

Thermoregulator
1M - 1/2 doors

CABINETS PREMIUM

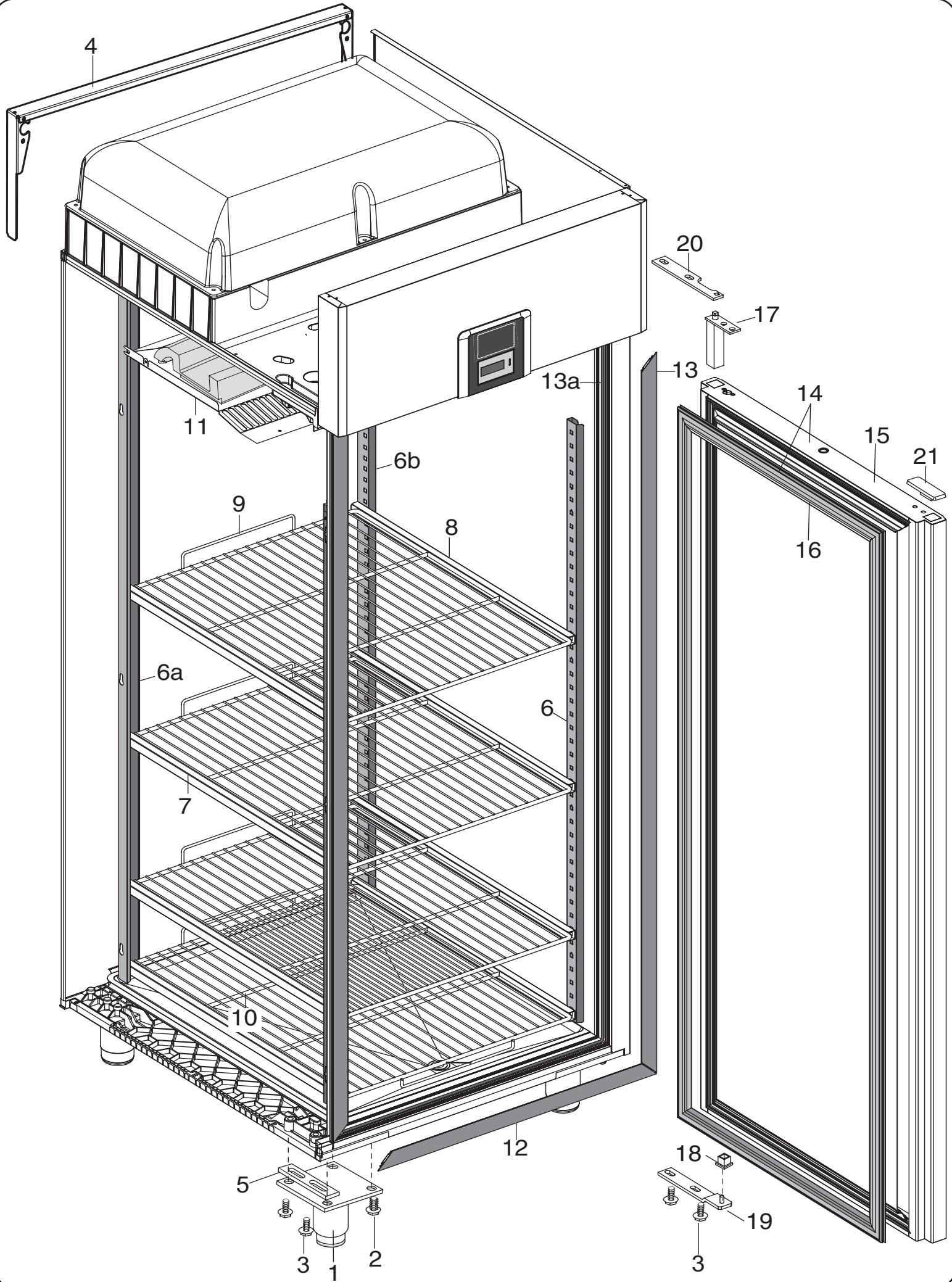
Remote *freezer*

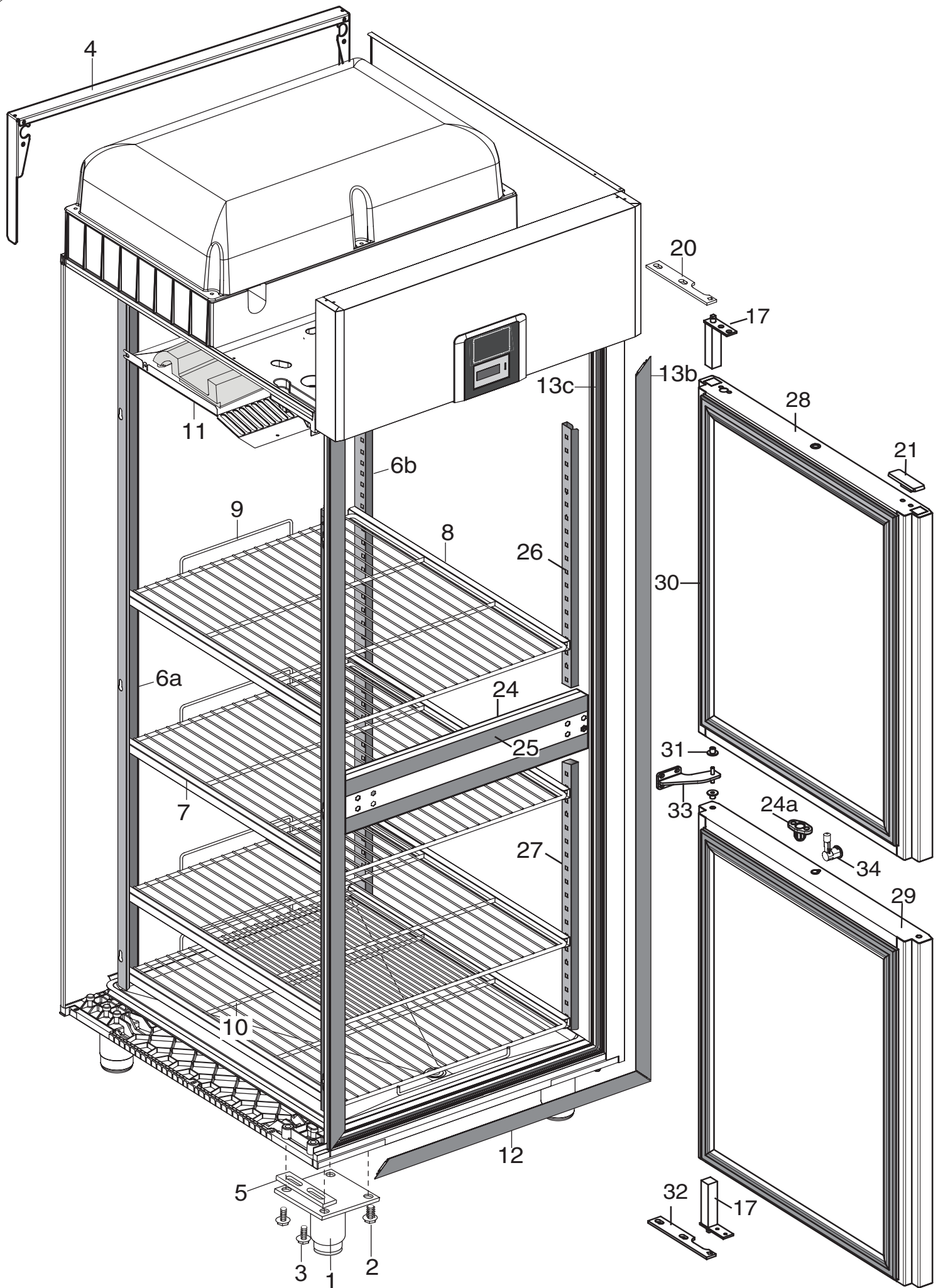
Code	Av.	Model	Type	Ref.	Brand	Page
110124	12/12	NPT71FFR	1-DOOR FREEZER 670L -15/-22°C, DIGITAL, REM	c	ZAN	2,4,5
190104	00/00	ESP71FFR7	1-DOOR FREEZER 670L -22/-15°, DIGITAL, REM R407A	b	ELUX	2,4,5
190988	00/00	ESP71FFR	1-DOOR FREEZER 670L -22/-15°, DIGITAL, REM	d	ELUX	2,4,5
190B75	00/00	ESP71FFR	1-DR FREEZER 670L -22/-15°, DIGITAL,REM	f	ELUX	2,4,5
727257	19/19	ESP71FFR	1-DOOR FREEZER 670L -15/-22°C, DIGITAL, REM	a	ELUX	2,4,5
727344	13/13	ESP72HFRG	1/2-DOORS FREEZER 670L -15/-22°C, DIGITAL, REM UK	h	ELUX	3,4,5
727345	12/12	ESP71FFRG	1-DOOR FREEZER 670L -15/-22°C, DIGITAL, REM UK	g	ELUX	2,4,5
728649	12/12	CTE71FFR	1-DOOR FREEZER 670L -15/-22°C, DIGITAL, REM NCAP	e	ALPEN	2,4,5
728722	09/09	CTE72HFRG	1/2-DOORS FREEZER 670L -15/-22°C, DIGITAL, REM UK	i	ALPEN	3,4,5
728723	08/08	CTE71FFRG	1-DOOR FREEZER 670L -15/-22°C, DIGITAL, REM UK	l	ALPEN	2,4,5

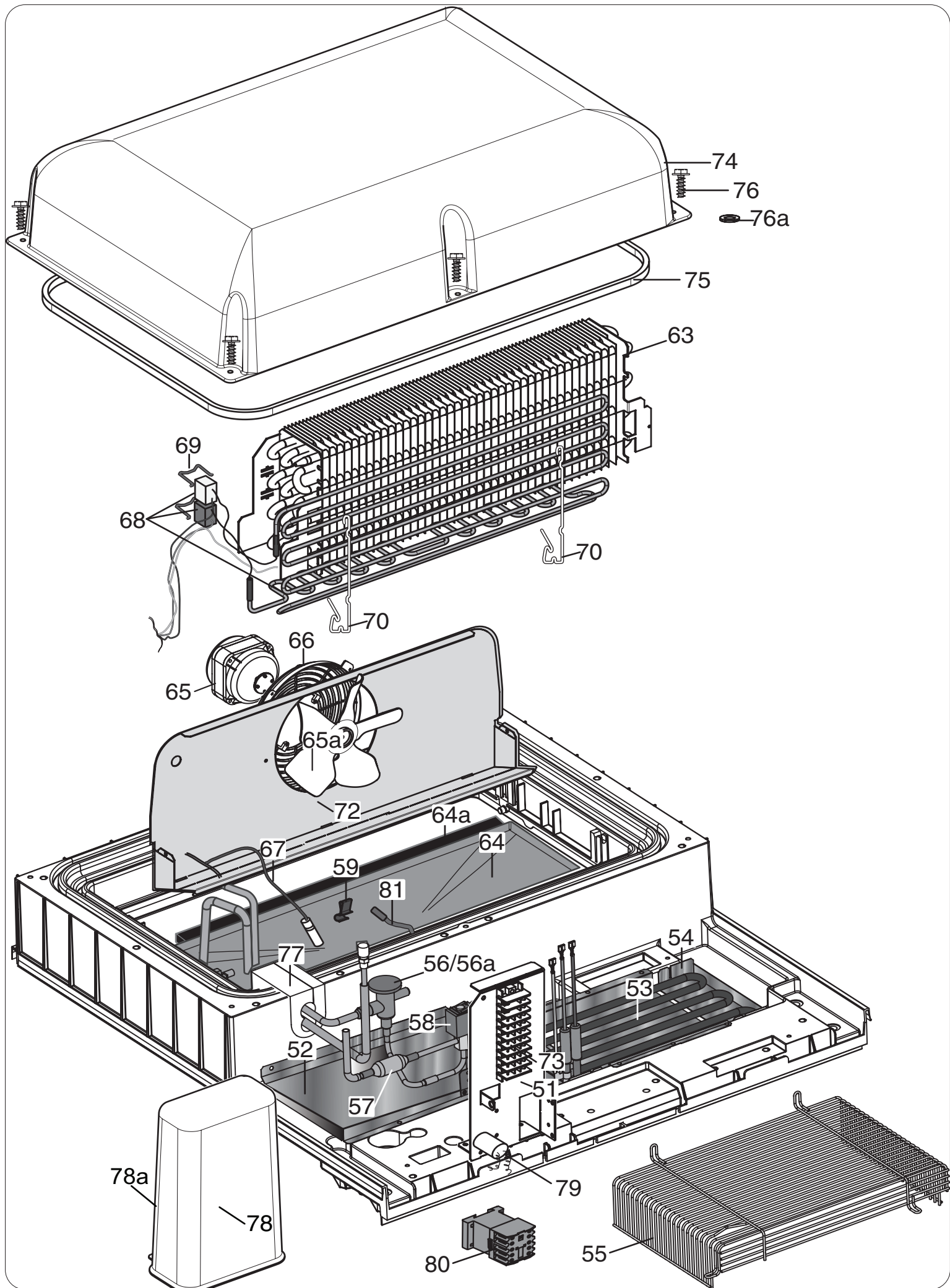
Note: per la corretta identificazione dei componenti, attenersi esclusivamente alle pagine indicate e alla lettera di riferimento.

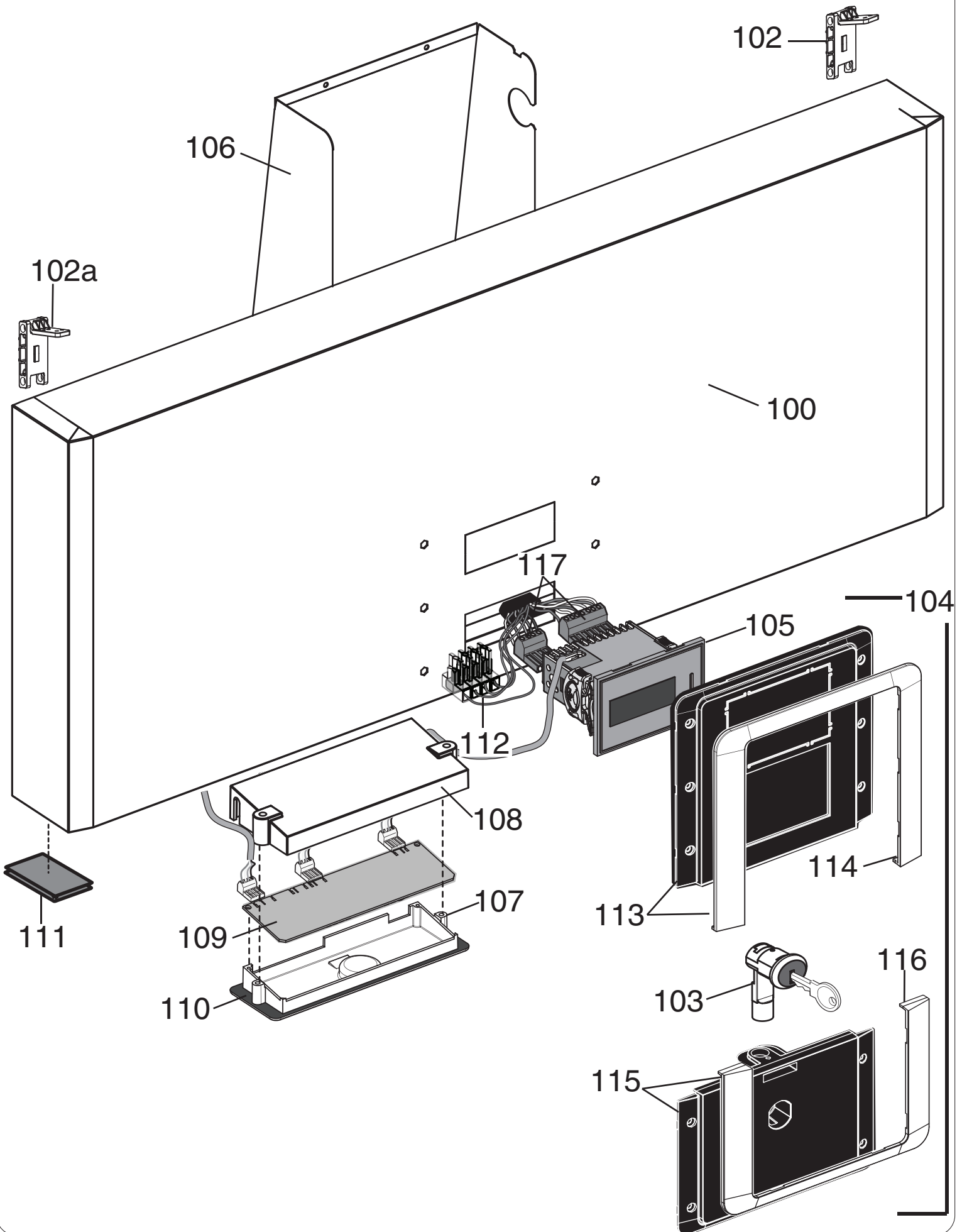
Note: for the correct identification of the components, follow the indicated pages and the reference letter.

Pag.	Index	Indice
2,3	Cabinet and door	Armadio e porta
4	Cooling unit assembly	Gruppo refrigerante
5	Control panel	Pannello comandi
6..8	Spare parts list	Lista ricambi









PNC	Ref.	PNC	Ref.	PNC	Ref.	PNC	Ref.	PNC	Ref.	PNC	Ref.	PNC	Ref.
727257	a	110124	c	728649	e	727345	g	727344	h	728722	i	728723	l
190104	b	190988	d										

Pos	Spare parts code	Factory code	Descrizione	Description	Ref - Note
1	093243	541R05001	Piedino	Foot	
2	093245	217555204	Vite per plastica per piedino	Screw (use by fix foot)	
3	093246	518708601	Vite M8x20 per fiss. staffa sup/inf	Screw M8X20 (use by fix bracket)	
4	093247	502R17400	Staffa supporto fianchi	Side support (upper)	
5	093248	546R22800	Distanziale per piede	Foot spacer	
6	093355	501R36201	Cremagliera anteriore	Front Rack	
6b	093356	501R48300	Cremagliera posteriore dx 304	Right back rack	
6a	093357	501R36101	Cremagliera posteriore sx 304	Left back rack	
7	093358	501R48000	Guida Sx	Left support	
8	093359	501R48200	Guida Dx	Right support	
9	093252	514R10600	Griglia 2/1 rilsan	Grid 2/1rilsan	a,b,c,d,f,g,h,i,l
9	093360	514R10700	Griglia 2/1 aisi 304	Grid 2/1 aisi 304	e
10	093253	514R12200	Griglia di fondo rilsan	Bottom grid rilsan	a,b,c,d,f,g,h,i,l
10	093296	514R12100	Griglia di fondo aisi 304	Bottom grid aisi 304	e
11		875R37600	Carter interno	Internal protection	
12	093254	832R09001	Cornice orrizzontale	Orrizzontal frame	
13	093255	832R09101	Cornice verticale	Vertical frame	a,b,c,d,e,f,g,l
13b	093256	832R09301	Cornice verticale 1/2 porte	Vertical frame 1/2 doors	h,i
13a	093330	617R06701	Cavo riscaldante cornice 22.25W	Heating cable frame 22.25W	a,b,c,d,e,f,g,l
13c	093362	617R07300	Cavo riscaldante cornice 1/2 porte	Heating cable frame half doors	h,i
14	093523	835R25108	Porta con guarnizione aisi 304 BT	Gasket and door Freezer	a,b,c,d,e,f,g,l
15	093524	835R25008	Porta aisi 304 bt	Door freezer	a,b,c,d,e,f,g,l
16	093257	548R06802	Guarnizione porta pv/pc	Gasket door (gl/fl)	a,b,c,e,g,l up to 3471
16	094152	548R08000	Guarnizione porta pv/pc	Gasket door (gl/fl)	a,b,c,d,e,f,g,l from 3481
17	082219	835704001	Cerniera porta	Hinge door	
18	081654	544700601	Boccola per porta	Door bush	a,b,c,d,e,f,g,l
19	093341	833R21600	Staffa inferiore porta	Lower stirrup door	a,b,c,d,e,f,g,l
20	082257	505723802	Staffa superiore porta	Upper stirrup door	
21	093271	541R05301	Tappo per cerniere	Hole hinge plug	a,b,c,d,e,f,g,l
24a	*	541R06600	Tappo per serratura	Lock plug	
24	093342	880R64100	Traversa per 1/2 porte a304	Support half door a304	
25	093272	832R10000	Cornice per traversa	Support half door frame	
26	093363	501R51700	Cremagliera ant. 1/2 porte sup.	Upper rack 1/2 doors a304	
27	093364	501R46100	Cremagliera ant. 1/2 porte 304 inf.	Lower rack 1/2 doors a304	
28	093546	835R26301	Ass.1/2 porta superiore a304	Upper half door a304	
29	093519	835R25502	Ass.1/2 porta inferiore a304	Lower half door a304	
30	093273	548R07100	Guarnizione magnetica 1/2 porte	Half door gasket	h,i up to 3471
30	094153	548R08100	Guarnizione magnetica 1/2 porte	Half door gasket	h,i from 3481
31	093517	546R23100	Boccola per cerniera 1/2 porte	Half door bush	
32	093301	833R21900	Ass. staffa inf.(reversibile) pv-1\2p	Lower bracket (reversible)	
33	093344	505R12400	Cerniera centrale	Central hinge door	
34	093433	833R21100	Serratura	Serratura	
		880R76608	MOD.GRUPPO 1M BT -15/-22°C REMOTO	MODULE REMOTE GROUP 1M BT -15/-22°C	a,c,e,g,h,i,l
		881R58800	MOD.GRUPPO 1-2 M BT -15/-22°C REMOTO	MODULE REMOTE GROUP 1-2 M BT -15/-22°C	b

PNC	Ref.	PNC	Ref.	PNC	Ref.	PNC	Ref.	PNC	Ref.	PNC	Ref.	PNC	Ref.
727257	a	110124	c	728649	e	727345	g	727344	h	728722	i	728723	l
190104	b	190988	d										

Pos	Spare parts code	Factory code	Descrizione	Description	Ref - Note
------------	-------------------------	---------------------	--------------------	--------------------	-------------------

		882R45500	MOD.GRUPPO 1M BT -15/-22°C REMOTO	MODULE REMOTE GROUP 1M BT -15/-22°C	d
		883R27900	MOD.GRUPPO 1M BT -15/-22°C PREMIUM REMOTO CO2	MODULE REMOTE GROUP 1M BT -15/-22°C PREMIUM REMOTO CO2	f
51	*	501R66800	Supporto impianto elettrico	Electrical wiring support	
52	093607	501R63701	Sgocciolatoio	Drainer	
53	093605	617R07901	Resistenza evaporazione 100W	Water evaporation heating element	
54	093606	501R63601	Bacinella evaporazione	Water condensation basin	
55	093604	514R13101	Griglia protezione resistenza	Protection grid	
56	087334	646741000	Valvola termostatica - R404A	Thermostatic Valve - R404A	a,c,e,f,g,h,i,l
56		652F00000	Valvola termostatica - R407A	Thermostatic Valve - R407A	b
56	095541	646R13900	Valvola termost. R407C/448A/449A	Thermostatic Valve R407C/448A/449A	d
56a	089614	565717600	Isolante per valvola	Valve insulation	
57	090229	525719000	Filtro meccanico a rete	Filter	
58	093435	646R10501	Valvola solenoide	Solenoid valve	Up to 4151...
58	094435	646R10502	Valvola solenoide	Solenoid valve	From 4161...
59	093547	514R12900	Molla per fissaggio resistenza	Spring to retaining heating element	
63	093335	830R04001	Evaporatore 3R 8T	Evaporator 3R 8T	Up to 6441
63	094576	830R10600	Evaporatore 3R 8T	Evaporator 3R 8T	From 6451
63		830R02D00	Evaporatore 3R 8T CO2	Evaporator 3R 8T CO2	f
64	093278	833R21201	Vaschetta evaporatore	Evaporator tray	
64a	093409	548R07200	Isolamento per vaschetta	Basin insulation	
65	093410	682R06500	Ventilatore evaporatore (ebm)1800	Evaporator fan (ebm) 1800	Up to 5051...
65	094487	682R08700	Ventilatore evaporatore (ebm)1800	Evaporator fan (ebm) 1800	From 5061...
65a	093411	511R01100	Ventola 154	Fan 154	
66	093412	514R12300	Griglia evap.	Fan protection	
67	092173	646R06700	Sonda cella	Cell probe	
68	093347	617R06200	Resistenza con termostati	Heating element with thermostat	
69	093487	514R11600	Molla per fissaggio termostati	Thermostat spring	
70	093516	514R11200	Molla per fissaggio resistenza 3R	Heating element spring 3R	
72	*	501R71900	Convogliatore evaporatore	Evaporator conveyor	
73	093528	639R09900	Morsettiera	Clamp	
74	093261	835R24101	Assieme Calotta	Evaporator cover	Up to 6181
74	*	835R47601	Assieme Calotta	Evaporator cover	From 6191
75	093262	14701R003	Neoprene espanso 8x13,3 nero (M4)	Gasket cover (neoprene 8x13,3)	
76	093245	217555204	Vite senza punta x plastica	Cover screw	
76a	*	546R23900	Rondella in teflon	Bush	
77	093614	546R25800	Tamponcino per tubi	Pipe cover insulation	
78	094425	546R26501	Copertura scatola impianto elettrico	Wiring box cover	
78a	093976	546R26701	Scatola impianto elettrico	Wiring box	
79	096636	694R00502	Filtro antidisturbo	Electrical filter	
80	088557	648727100	Teleruttore	Contacteur	
81	093415	617R07801	Resistenza scarico condensa	Heating element for discharge water condenser	
99	*	880R77703	Crus. compl. senza mascherina A304	Panel complete without template A304	
100	093525	509R13403	Cruscotto comandi	Panel 304 AISI	
102	093609	832R10100	Cerniera per cruscotto DX	Right Hinge for panel	

PNC	Ref.	PNC	Ref.	PNC	Ref.	PNC	Ref.	PNC	Ref.	PNC	Ref.	PNC	Ref.
727257	a	110124	c	728649	e	727345	g	727344	h	728722	i	728723	l
190104	b	190988	d										

Pos	Spare parts code	Factory code	Descrizione	Description	Ref - Note
-----	------------------	--------------	-------------	-------------	------------

102a	093610	832R10200	Cerniera per cruscotto SX	Left Hinge for panel	
103	093345	833R20900	Serratura	Latch	
104	093383	855R11101	Ass.macherina porta/cruscotto elux	Complete template door and panel	a,b,d,f,g,h
104	093384	855R11200	Ass.macherina porta/cruscotto zan	Complete template door and panel	c,d
104	093385	855R11300	Ass.macherina porta/cruscotto alp	Complete template door and panel	e,i,l
105	093437	646R10601	Termoregolatore ir33 premium pc	Thermoregulator premium	To be set
106	093295	501R37401	Protezione	Protection led-lamp	
107	093386	546R19501	Supporto scheda led	Support led-lamp	
108	093387	546R19600	Protezione scheda led	Protection led-lamp	
109	093388	648R05500	Scheda led depotenziata	Led-lamp board	
110	093390	569R05900	Guarnizione per scheda led	Led-lamp board gasket	
111	093269	541R05401	Tappo per cerniera porta	Door hinge plug	
112	093391	639R10400	Morsetto	Clamp	
113	*	855R10200	Ass.mascherina cruscotto	Assembled template panel Elux	a,b,d,f,g,h
113	*	855R10300	Ass.mascherina cruscotto	Assembled template panel Zan	c,d
113	*	855R10400	Ass.mascherina cruscotto	Assembled template panel APX	e,i,l
114	*	546R20000	Cornice mascherina cruscotto	Template frame panel	a,b,d,f,g,h
114	*	546R20100	Cornice mascherina cruscotto	Template frame panel	c,e,i,l
115	*	855R10501	Ass. Mascheria Porta Elux	Assembled template Door Elux	a,b,d,f,g,h
115	*	855R10600	Ass. Mascheria Porta Zan	Assembled template Door ZAn	c,d
115	*	855R10700	Ass. Mascheria Porta APX	Assembled template Door APX	e,i,l
116	*	546R20200	Cornice mascherina porta elux	Template frame door elux	a,b,d,f,g,h
116	*	546R20300	Cornice mascherina porta Zan, APX	Template frame door Zan, APX	c,e,i,l
*	093491	217541085	Vite per fissaggio mascherina M3x8	Screws M3X8 for control door/panel	
117	*	639R06800	Connettore dritto 3 vie	Connector 3 ways right	
117	*	639R06900	Connettore dritto 7 vie	Connector 7 ways right	
117	099740	*	Connettore 90° 7 vie	Connector 7 ways 90°	
117	099741	*	Connettore 90° 5 vie	Connector 5 ways 90°	
117	088998	*	Connettore 90° 3 vie	Connector 3 ways 90°	
117	099743	*	Connettore 90° 3 vie piccolo	Connector 3 ways 90° small	
117	099742	*	Connettore 90° 2 vie	Connector 2 ways 90°	
117	091682	*	Connettore 90° 4 vie	Connector 4 ways 90°	
117	091684	*	Connettore 90° 5 vie	Connector 5 ways 90°	
*	093180	639R09600	Convertitore spina UK	UK plug converter	g,h,i,l