



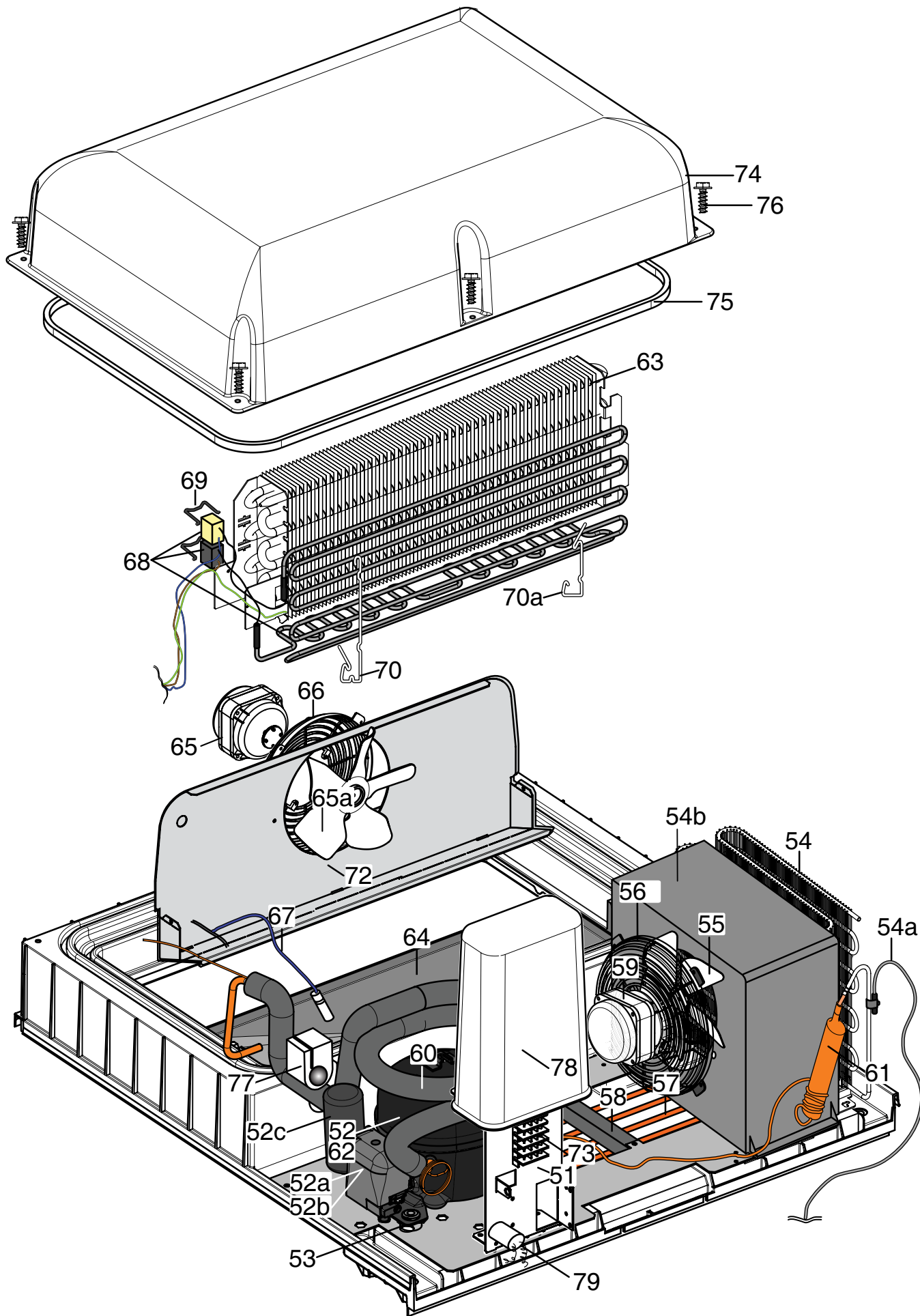
CABINETS PREMIUM DUAL TEMPERATURE R290

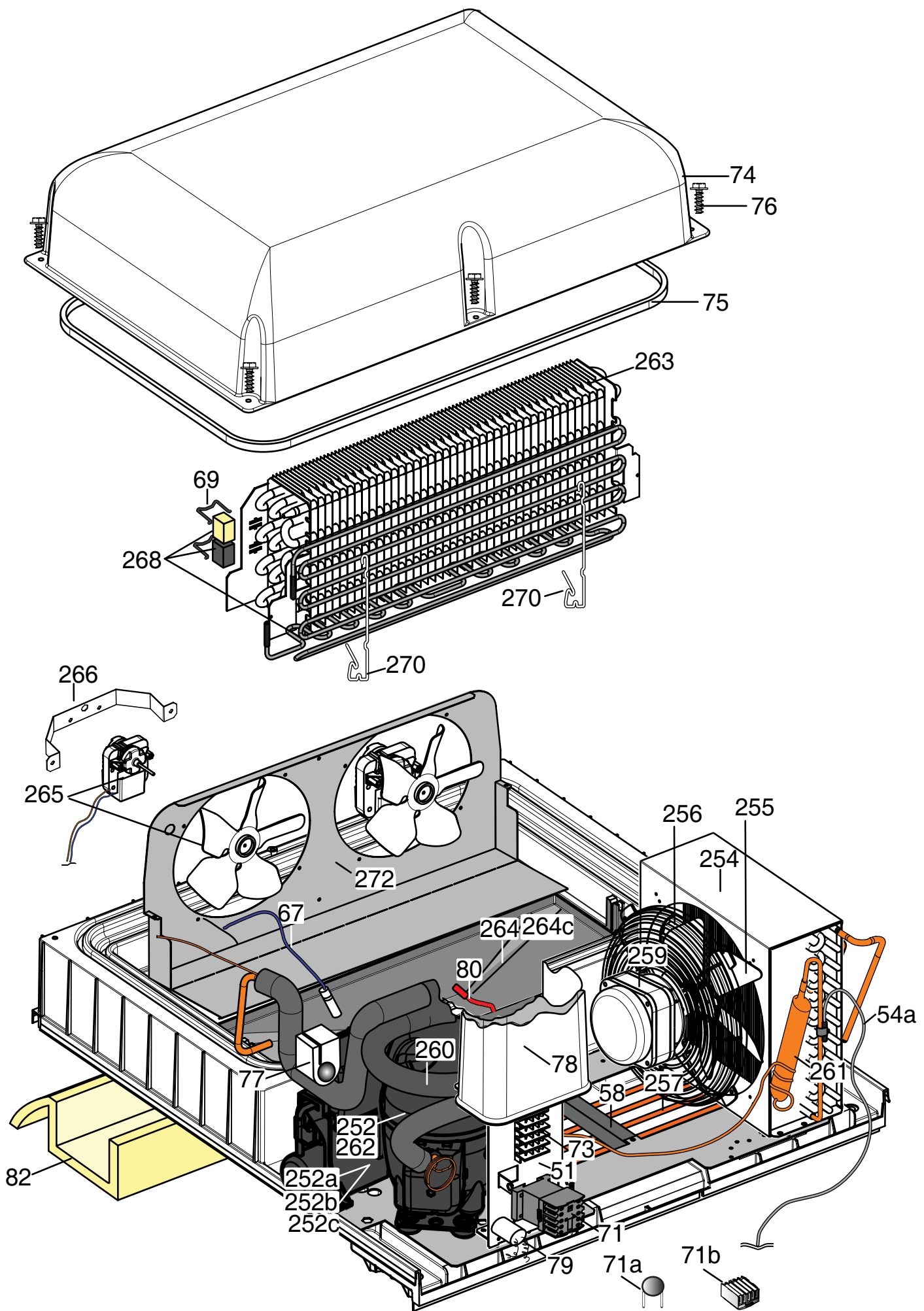
| PNC | En.Ch. | Model | Ref. | Page |
|--------|--------|----------------------------------------------|------|---------|
| 727328 | 04/18 | FV 2M 3 DOORS -2/-6°C A304 R290 ELUX ITTICO | a | 2,3,5 |
| 727329 | 04/19 | FV 2M 3 DOORS -2/-22°C A304 R290 ELUX | c | 2,3,4,5 |
| 728700 | 04/18 | FV 2M 3 DOORS -2/-6°C A304 R290 ALPEN ITTICO | b | 2,3,5 |
| 728714 | 01/16 | FV 2M 3 DOORS -2/-22°C A304 R290 ALPEN | d | 2,3,4,5 |

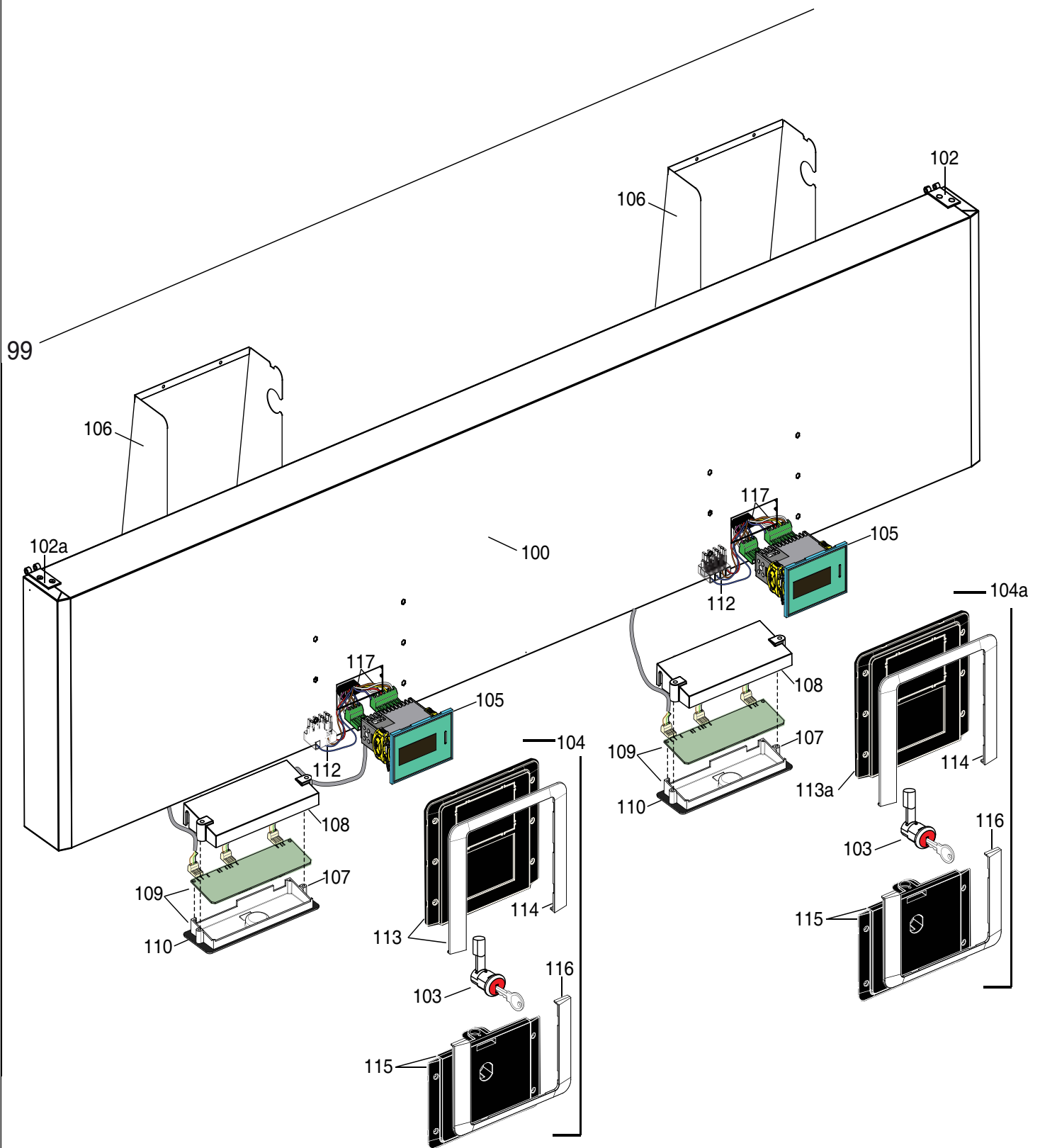
Note: per la corretta identificazione dei componenti, attenersi esclusivamente alle pagine indicate e alla lettera di riferimento.

Note: for the correct identification of the components, follow the indicated pages and the reference letter.

| Pag. | Index | Indice |
|---------|-----------------------|---------------------|
| 2 | Cabinet and door | Armadio e porta |
| 3 | Cooling unit assembly | Gruppo refrigerante |
| 4 | Cooling unit assembly | Gruppo refrigerante |
| 5 | Control panel | Pannello comandi |
| 6,7,8,9 | Spare parts list | Lista ricambi |







| | | | | | | | | | | | | | |
|--------|------|--------|------|--------|------|--------|------|-----|------|-----|------|-----|------|
| PNC | Ref. | PNC | Ref. | PNC | Ref. | PNC | Ref. | PNC | Ref. | PNC | Ref. | PNC | Ref. |
| 727328 | a | 728700 | b | 727329 | c | 728714 | d | | | | | | |
| | | | | | | | | | | | | | |

| Pos | Spare parts code | Factory code | Descrizione | Description | Ref - Note |
|-----|------------------|--------------|-------------------------------------|-----------------------------------------|------------|
| 1 | 093243 | 541R05001 | Piedino | Foot | |
| 2 | 093245 | 217555204 | Vite per plastica per piedino | Screw (use by fix foot) | |
| 3 | 093246 | 518708601 | Vite m8x20 per fiss. staffa sup/inf | Screw m8X20 (use by fix bracket) | |
| 4 | * | 502R18200 | Staffa supporto fianchi | Side support | |
| 6 | 093355 | 501R36201 | Cremagliera anteriore | Front Rack | |
| 6a | * | 501R69900 | Cremagliera pst. dx | Back right Rack | |
| 6b | 093364 | 501R46100 | Cremagliera ant. 1/2 P -2T | Front Rack 1/2 door -2T | |
| 7 | 093358 | 501R48000 | Guida Sx | Left support | |
| 8 | 093359 | 501R48200 | Guida Dx | Right support | |
| 9 | 093252 | 514R10600 | Griglia 2/1 rilsan | Grid 2/1rilsan | a,c,d |
| 9 | 093360 | 514R10700 | Griglia 2/1 aisi 304 | Grid 2/1 aisi 304 | b |
| 9a | 080702 | 242667520 | Bacinella per pesce | Basin for fish | |
| 10 | 093253 | 514R12200 | Griglia di fondo rilsan | Bottom grid rilsan | a,c,d |
| 10 | 093296 | 514R12100 | Griglia di fondo aisi 304 | Bottom grid aisi 304 | b |
| 10a | 093714 | 546R26000 | Piletta di scarico | Drain pipe | |
| 10b | 085535 | 545733700 | Tappo per piletta | Drain pipe plug | |
| 10c | 081797 | 544701400 | Controdado per piletta | Drain pipe nut | |
| 12 | 093545 | 832R09202 | Cornice orrizzontale | Orrizzontal frame | |
| 12a | 093256 | 832R09300 | Cornice verticale 1/2 porte dx | Vertical right frame 1/2 door | |
| 12b | 093272 | 832R10000 | Cornice montante 1/2 porte | Horiz frame traverse | |
| 12c | 093255 | 832R09100 | Cornice verticale sx | Vertical left frame | |
| 12d | * | 832R09601 | Cornice vertic.montante 1/2porte dx | Vertical rgt. frame traverse 1/2 door | |
| 12e | 093399 | 832R09401 | Cornice vertic.montante sx | Vertical lft. frame traverse | |
| 13a | 093362 | 617R07300 | Cavo riscaldante cornice 1/2 porte | Heating cable frame 1/2 door | a,b |
| 13a | 093331 | 617R07500 | Cavo riscaldante cornice 1/2 porte | Heating cable frame 1/2 door | c,d |
| 13 | 093361 | 617R07100 | Cavo riscaldante cornice 8,9W | Heating cable frame 8,9W | |
| 14 | 093478 | 835R27201 | Porta con guarn. cern.e masch. sx | Gasket, hinge, template and door (left) | |
| 14a | 093546 | 835R26303 | 1/2 Porta superiore dx | Upper 1/2 rht door | |
| 15 | 093477 | 835R27601 | Porta sx per mascherina | Door (left) for template | |
| 15a | 093519 | 835R25502 | 1/2 porta inf. dx | Lower 1/2 lft door | |
| 16 | 093257 | 548R06802 | Guarnizione porta pv/pc | Gasket door (gl/fl) | |
| 17 | 082219 | 835704001 | Cerniera porta | Hinge door | |
| 18 | 081654 | 544700601 | Boccola per porta | Door bush | |
| 19 | 093341 | 833R21600 | Staffa inferiore porta | Lower stirrup door | |
| 20 | 082257 | 505723801 | Staffa superiore porta | Upper stirrup door | |
| 21 | 093271 | 541R05300 | Tappo per cerniere | Hole hinge plug | |
| 22 | 093575 | 835R24900 | Ruota rotante con freno | Brake weel | |
| 23 | 093574 | 835R24800 | Ruota rotante | Weel | |
| 30 | 093273 | 548R07101 | Guarnizione magnetica 1/2 porte | Half door gasket | |
| 31 | 093393 | 546R21100 | Boccola per cerniera 1/2 porte | Half door bush | |

| | | | | | | | | | | | | | |
|--------|------|--------|------|--------|------|--------|------|-----|------|-----|------|-----|------|
| PNC | Ref. | PNC | Ref. | PNC | Ref. | PNC | Ref. | PNC | Ref. | PNC | Ref. | PNC | Ref. |
| 727328 | a | 728700 | b | 727329 | c | 728714 | d | | | | | | |
| | | | | | | | | | | | | | |

| Pos | Spare parts code | Factory code | Descrizione | Description | Ref - Note |
|-----|------------------|--------------|-----------------------------------|---------------------------------------|-----------------------------|
| 32 | 093713 | 505R14200 | Staffa inf. 1/2 porta | Lower stirrup 1/2 door | |
| 33 | 093344 | 505R12400 | Cerniera centrale | Central hinge door | |
| 34 | 093433 | 833R21100 | Serratura | Serratura | |
| 51 | 093332 | 501R41503 | Supporto impianto elettrico | Electrical wiring support | |
| * | * | | Mod. gruppo tn sx-dx | Cooling unit refrig. (left-right) | a,b,c,d |
| 52 | 093426 | 684R05900 | Compress. EMT6152U - 230/50 sx | Compr. EMT6152U R290 230/50hz (left) | a,b,c,d |
| 52 | 093425 | 684R05700 | Compress. EMT6144U - 220/50 dx | Compr. EMT6144U R290 220/50hz (right) | a,b |
| 52a | * | * | Relè avviamento | Start relay | |
| 52b | * | * | Protettore | Protector | |
| 52c | * | * | Condensatore di avviamento | Start capacitor | |
| 53 | 087122 | 518708401 | Fissaggio compressore | Rubber compressor | |
| 54 | 093431 | 830R06600 | Condensatore 5R D4,76 sx | Condenser 5R D4,76 (left) | a,b,c,d |
| 54 | 093346 | 830R06500 | Condensatore 4R D4.76 dx | Condenser 4R D4.76 (right) | a,b |
| 54a | 092360 | 646R09400 | Sonda condensatore | Probe condenser | |
| 54b | 093602 | 546R24200 | Copertura condensatore | Condenser cover | |
| 55 | 089697 | 511708800 | Ventola 230-31 (elco) | Ventola 230-31(elco) | |
| 56 | 089755 | 546709500 | Protezione ventola | Fan protection | |
| 57 | 093259 | 515R12700 | Serpentina evap. acqua di conden. | Evaporation water pipe | |
| 58 | 093260 | 543R09300 | Fissaggio serpentina | Stopper pipe | |
| 59 | 093334 | 682R05300 | Ventilatore condensatore (elco) | Condenser ventiator (elco) | |
| 60 | * | 858R06700 | Scambiatore sx | Heat exchanger (left) | a,b,c,d |
| 60 | * | 858R06900 | Scambiatore dx | Heat exchanger (right) | a,b |
| 61 | 084078 | 805729802 | Filtro sx | Dehidrator filter (left) | a,b,c,d |
| 61 | 099949 | 858R00100 | Filtro dx | Dehidrator filter (right) | a,b |
| 62 | 0A8171 | A02021800 | Valvola per compressore | Compressor valve | |
| 63 | 093430 | 830R04101 | Evaporatore 4R 8T sx | Evaporator 4R 8T (left) | a,b,c,d |
| 63 | 093323 | 830R03901 | Evaporatore 2R 8T dx | Evaporator 2R 8T (right) | a,b |
| 64 | * | 501R37101 | Vaschetta evaporatore sx | Evaporator tray (left) | a,b,c,d |
| 64 | 093469 | 546R19201 | Vaschetta evaporatore dx | Evaporator tray (right) | a,b |
| 64a | 093509 | 501R40700 | Deviatore aria sx | Air conveyor (left) | |
| 65 | 093366 | 682R05900 | Ventilatore evap.EBM IQ3612 sx | Evaporator fan EBM IQ3612 (left) | a,b,c,d Up to 5051... |
| 65 | 094477 | 682R08600 | Ventilatore evap.EBM IQ3612 sx | Evaporator fan EBM IQ3612 (left) | a,b,c,d From 5061... |
| 65 | 093367 | 682R05800 | Ventilatore evap.EBM IQ3608 dx | Evaporator fan EBM IQ3608 (right) | a,b |
| 65a | 093365 | 511R01000 | Ventola 230-34 ebm sx | Fan 230 -34 ebm (left) | a,b,c,d |
| 65a | 084920 | 511705100 | Ventola dx | Fan (right) | a,b |
| 66 | 089755 | 546709500 | Griglia ventilatore sx | Motor fan support (left) | a,b,c,d |
| 66 | 089770 | 546709600 | Griglia ventilatore dx | Motor fan support (right) | a,b |

| PNC | Ref. | PNC | Ref. | PNC | Ref. | PNC | Ref. | PNC | Ref. | PNC | Ref. | PNC | Ref. |
|--------|------|--------|------|--------|------|--------|------|-----|------|-----|------|-----|------|
| 727328 | a | 728700 | b | 727329 | c | 728714 | d | | | | | | |
| | | | | | | | | | | | | | |

| Pos | Spare parts code | Factory code | Descrizione | Description | Ref - Note |
|-----------|------------------|-------------------|--------------------------------------|-----------------------------------------|------------------|
| 67 | 092173 | 646R06700 | Sonda cella | Cavity probe | |
| 68 | 093347 | 617R06200 | Resistenza con termost. sx | Heating element with thermostat (left) | a,b,c,d |
| 68 | 093327 | 617R06100 | Resistenza con termost. dx | Heating element with thermostat (right) | a,b |
| 69 | 093487 | 514R11601 | Molla per fissaggio termostati | Thermostat spring | |
| 70 | 093572 | 514R11000 | Molla per fissaggio resistenza | Heating element spring | |
| 70a | 093353 | 514R12000 | Molla per fissaggio resistenza | Heating element spring | |
| 71 | 093848 | 648R06300 | Rele' FINDER 66.82.8.230.0001 | Relay FINDER 66.82.8.230.0001 | |
| 71a | 093776 | 648R05300 | Varistore | Varistor | |
| 71b | 093775 | 648R05700 | Dissipatore | Dissipator | |
| 72 | 093510 | 501R44101 | Convogliatore evaporat. pala sx | Evaporator conveyor (left) | a,b |
| 72 | 093370 | 501R43901 | Convogliatore evaporat. pala dx | Evaporator conveyor (right) | a,b |
| 73 | 093528 | 639R09900 | Morsetti | Clamp | |
| 74 | 093261 | 639R09901 | Assieme Calotta | Evaporator cover | Up to 6181 |
| 74 | 095201 | 835R47601 | Assieme Calotta schiumata | Evaporator cover | From 6191 |
| * | 095200 | 0881R32401 | Modulo Calotta TN | Evaporator cover Module TN | |
| 75 | 093262 | 14701R003 | Neoprene espa. 8x13,3 nero (M4) | Gasket cover (neoprene 8x13,3) | up to 6181 |
| 76 | 093245 | 217555204 | Vite senza punta x plastica | Cover screw | |
| 77 | 093263 | 546R19702 | Tamponcino per tubi | Pipe cover insulation | |
| 78 | 093264 | 541R04801 | Copertura impianto elettrico | Wiring cover | |
| 79 | 092257 | 694R00501 | Filtro antidisturbo | Electrical filter | |
| 80 | 093415 | 617R07800 | Resistenza scarico condensa | Drain heating | |
| 81 | 093371 | 646R10900 | Sonda ambiente | Ambient probe | |
| 82 | 093489 | 559R01900 | Coibentazione carter | Air blanketing | |
| 99 | * | 880R66904 | Cruscotto senza mascherina | Panel without template | |
| 100 | 095303 | 509R13803 | Cruscotto | Panel 304 AISI | |
| 102 | 093609 | 832R10100 | Cerniera cruscotto dx | Hinge for panel right | |
| 102a | 093610 | 832R10200 | Cerniera cruscotto sx | Hinge for panel left | |
| 103 | 093345 | 833R20900 | Serratura | Latch | |
| 104 | 093380 | 855R10800 | Ass.macherina porta/cruscotto Elux | Complete template door and panel | a,c |
| 104 | 093382 | 855R11000 | Ass.macherina porta/cruscotto Apx | Complete template door and panel | b,d |
| 104a | 093383 | 855R11100 | Ass.macherina porta/cruscotto Elux | Complete template door and panel | a |
| 104a | 093385 | 855R11300 | Ass.macherina porta/cruscotto Apx | Complete template door and panel | b,d |
| 105 | 093437 | 646R10601 | Termoregolatore ir33 premium pc | Thermoregulator premium | |
| 106 | 093295 | 501R37401 | Protezione | Protection led-lamp | |
| 107 | 093386 | 546R19501 | Supporto scheda led | Support led-lamp | |
| 108 | 093387 | 546R19600 | Protezione scheda led | Protection led-lamp | |
| 109 | 093389 | 648R05000 | Scheda led 2M | Led-lamp board GL | |
| 110 | 093390 | 569R05900 | Guarnizione per scheda led | Ledlamp board gasket | |
| 112 | 093391 | 639R10400 | Morsetto | Clamp | |
| 113 | * | 855R09900 | Ass. mascherina cruscotto Elux | Assembled template panel Elux | a,c |
| 113 | * | 855R10100 | Ass. mascherina cruscotto Apx | Assembled template panel Apx | b,d |

| | | | | | | | | | | | | | |
|--------|------|--------|------|--------|------|--------|------|-----|------|-----|------|-----|------|
| PNC | Ref. | PNC | Ref. | PNC | Ref. | PNC | Ref. | PNC | Ref. | PNC | Ref. | PNC | Ref. |
| 727328 | a | 728700 | b | 727329 | c | 728714 | d | | | | | | |
| | | | | | | | | | | | | | |

| Pos | Spare parts code | Factory code | Descrizione | Description | Ref - Note |
|-----|------------------|--------------|-------------|-------------|------------|
|-----|------------------|--------------|-------------|-------------|------------|

| | | | | | |
|------|--------|-----------|------------------------------------|------------------------------------|-----|
| 113a | * | 855R10200 | Ass. mascherina cruscotto Elux | Assembled template panel Elux | a |
| 113a | * | 855R10400 | Ass. mascherina cruscotto Apx | Assembled template panel Apx | b,d |
| 114 | * | 546R20000 | Cornice mascherina cruscotto elux | Template frame for panel Elux | a,c |
| 114 | * | 546R20100 | Cornice mascherina cruscotto Z/Apx | Template frame for panel Z/Apx | b,d |
| 115 | * | 855R10500 | Ass. mascherina porta Elux | Assembled template door Elux | a,c |
| 115 | * | 855R10700 | Ass. mascherina porta Apx | Assembled template door Apx | b,d |
| 116 | * | 546R20200 | Cornice mascherina porta Elux | Control door frame Elux | a,c |
| 116 | * | 546R20300 | Cornice mascherina porta Z/Apx | Control door frame Z/Apx | b,d |
| * | 093491 | 217541085 | Vite per fissaggio mascherina M3x8 | Screws M3X8 for control door/panel | |
| 117 | 092663 | 639R06800 | Connettore dritto 3 vie | Connector 3 ways right | |
| 117 | 092335 | 639R06900 | Connettore dritto 7 vie | Connector 7 ways right | |
| 117 | 099740 | 639730200 | Connettore 90° 7 vie | Connector 7 ways 90° | |
| 117 | 099741 | 639735900 | Connettore 90° 5 vie | Connector 5 ways 90° | |
| 117 | 088998 | 639722900 | Connettore 90° 3 vie | Connector 3 ways 90° | |
| 117 | 099743 | * | Connettore 90° 3 vie piccolo | Connector 3 ways 90° small | |
| 117 | 099742 | 639722800 | Connettore 90° 2 vie | Connector 2 ways 90° | |
| 117 | 091682 | 639R04400 | Connettore 90° 4 vie | Connector 4 ways 90° | |
| 117 | 091684 | 639R405 | Connettore 90° 5 vie | Connector 5 ways 90° | |
| | | | Mod. gruppo dx bt R404A | Cooling unit freezer dx | c,d |
| 252 | 093422 | 684R05800 | Compressore NT2170U 220-40/50 | Compressor NT2170U 220-40/50hz | |
| 252a | * | * | Relè avviamento | Start relay | |
| 252b | * | * | Protettore | Protector | |
| 252c | * | * | Condensatore di avviamento | Start capacitor | |
| 254 | 093333 | 830R04900 | Condensatore 4R-11T | Condenser 4R-11T | |
| 255 | 089697 | 511708800 | Ventola 230-31 (elco) | Ventola 230-31(elco) | |
| 256 | 089755 | 546709500 | Protezione ventola | Fan protection | |
| 257 | * | 515R13201 | Serpentina evap. acqua di conden. | Evaporation water pipe | |
| 259 | 093334 | 682R05300 | Ventilatore condensatore (elco) | Condenser ventiator (elco) | |
| 260 | 093462 | 858R07900 | Scambiatore | Heat exchanger | |
| 261 | 099949 | 805729802 | Filtro | Dehidrator filter | |
| 262 | 0A8171 | A02021800 | Valvola per compressore | Compressor valve | |
| 263 | 093335 | 830R04001 | Evaporatore 3R 8T | Evaporator 2R 8T | |
| 264 | * | 501R45201 | Vaschetta evaporatore | Evaporator tray | |
| 264c | 093409 | 548R07200 | Isolante per vaschetta evaporatore | Evaporator tray insulation | |
| 265 | 093325 | 682R05701 | Ventilatore evaporatore | Evaporator fan | |
| 266 | 093326 | 501R45101 | Staffa ventilatore | Fan support | |
| 268 | 093347 | 617R06200 | Resistenza con termost. | Heating element with thermostat | |
| 270 | 093516 | 514R11200 | Molla per fissaggio resistenza | Heating element spring | |
| 272 | 093314 | 501R44801 | Convogliatore evaporat. | Evaporator conveyor | |
| 277 | 093263 | 546R19702 | Tamponcino per tubi | Pipe cover insulation | |