



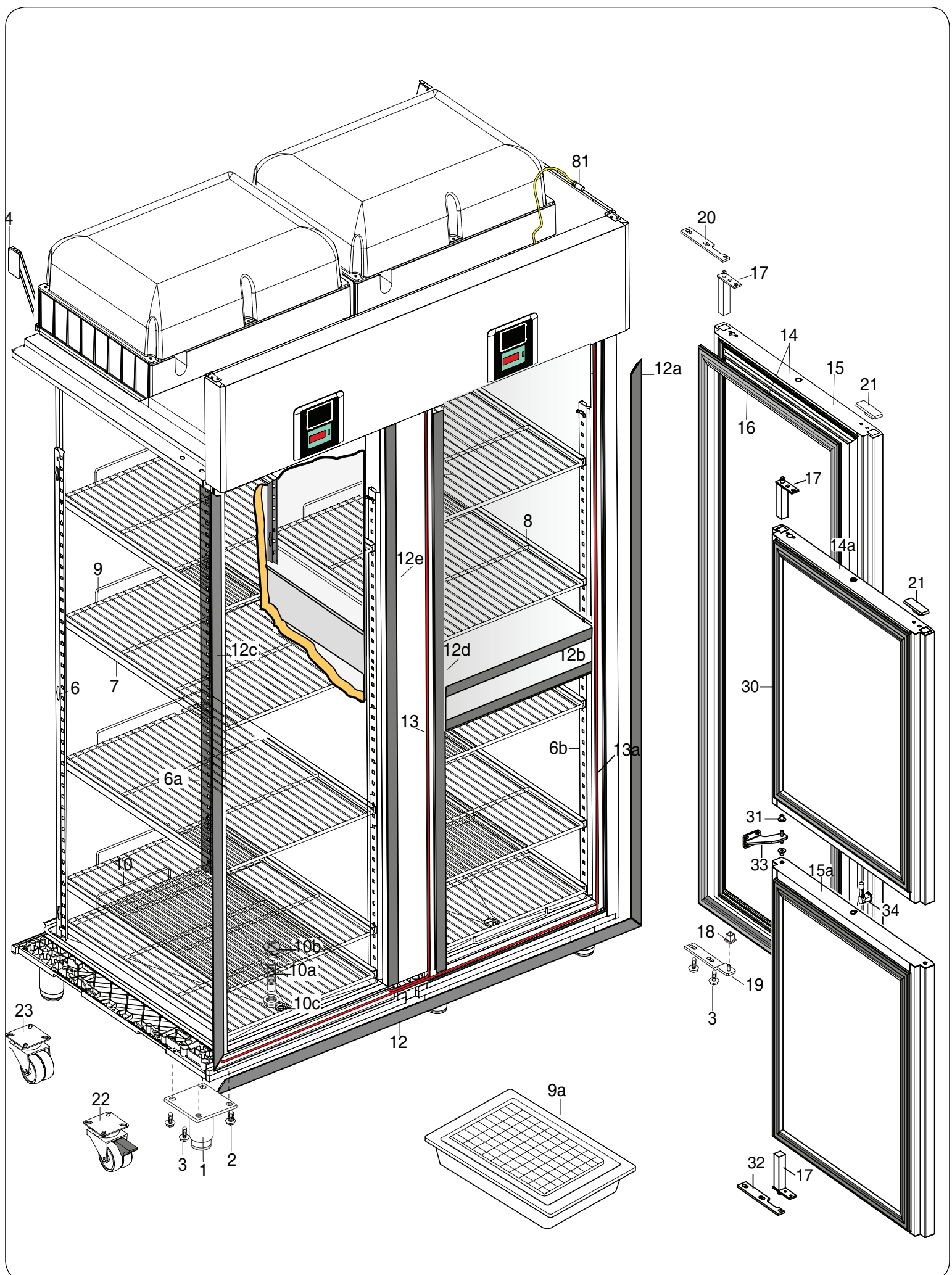
## CABINETS PREMIUM DUAL TEMPERATURE R290

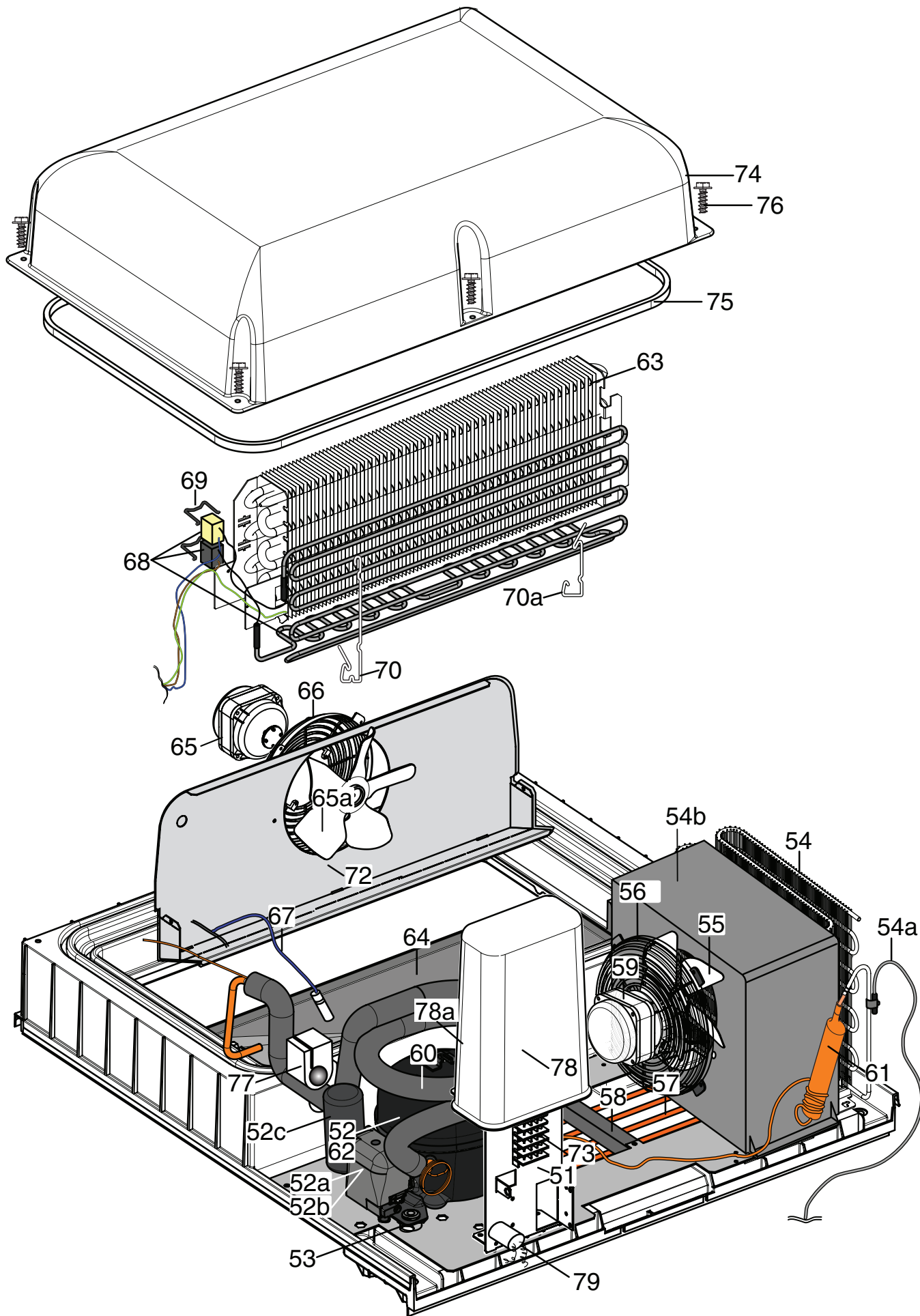
PNC	En.Ch.	Model	Ref.	Page
110599	00/00	1-DOOR+2½-DUAL REF(FISH)1430L -2-6°,DIGITAL-R290	e	2,3,5
110792	00/00	1-DOOR+2½-DOOR DUAL REF 1430L -2-22°C,DIGITAL-R290	f	2,3,4,5
727328	19/19	FV 2M 3 DOORS -2/-6°C A304 R290 ELUX ITTICO	a	2,3,5
727329	21/21	FV 2M 3 DOORS -2/-22°C A304 R290 ELUX	c	2,3,4,5
728700	04/18	FV 2M 3 DOORS -2/-6°C A304 R290 ALPEN ITTICO	b	2,3,5
728714	01/16	FV 2M 3 DOORS -2/-22°C A304 R290 ALPEN	d	2,3,4,5

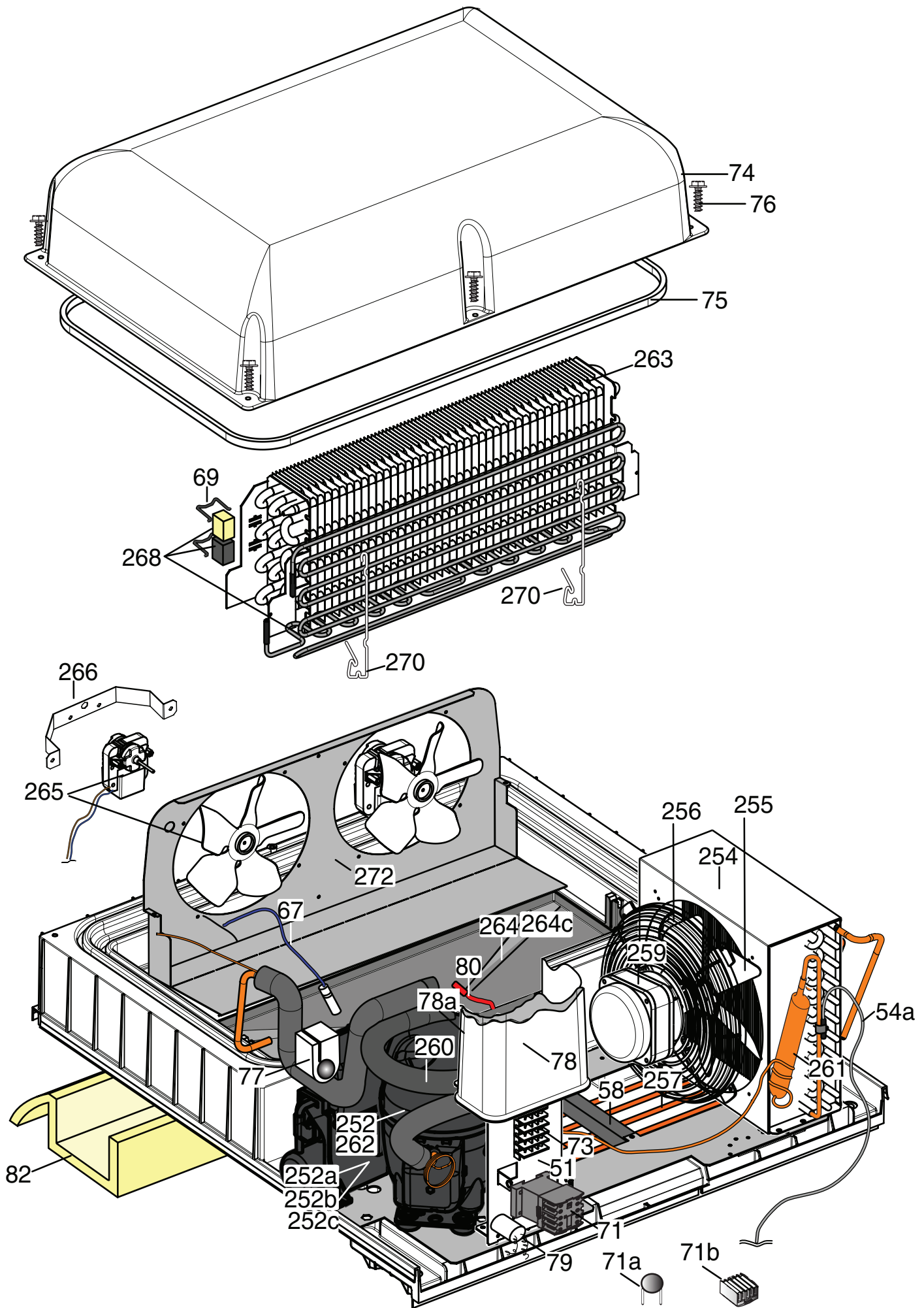
**Note:** per la corretta identificazione dei componenti, attenersi esclusivamente alle pagine indicate e alla lettera di riferimento.

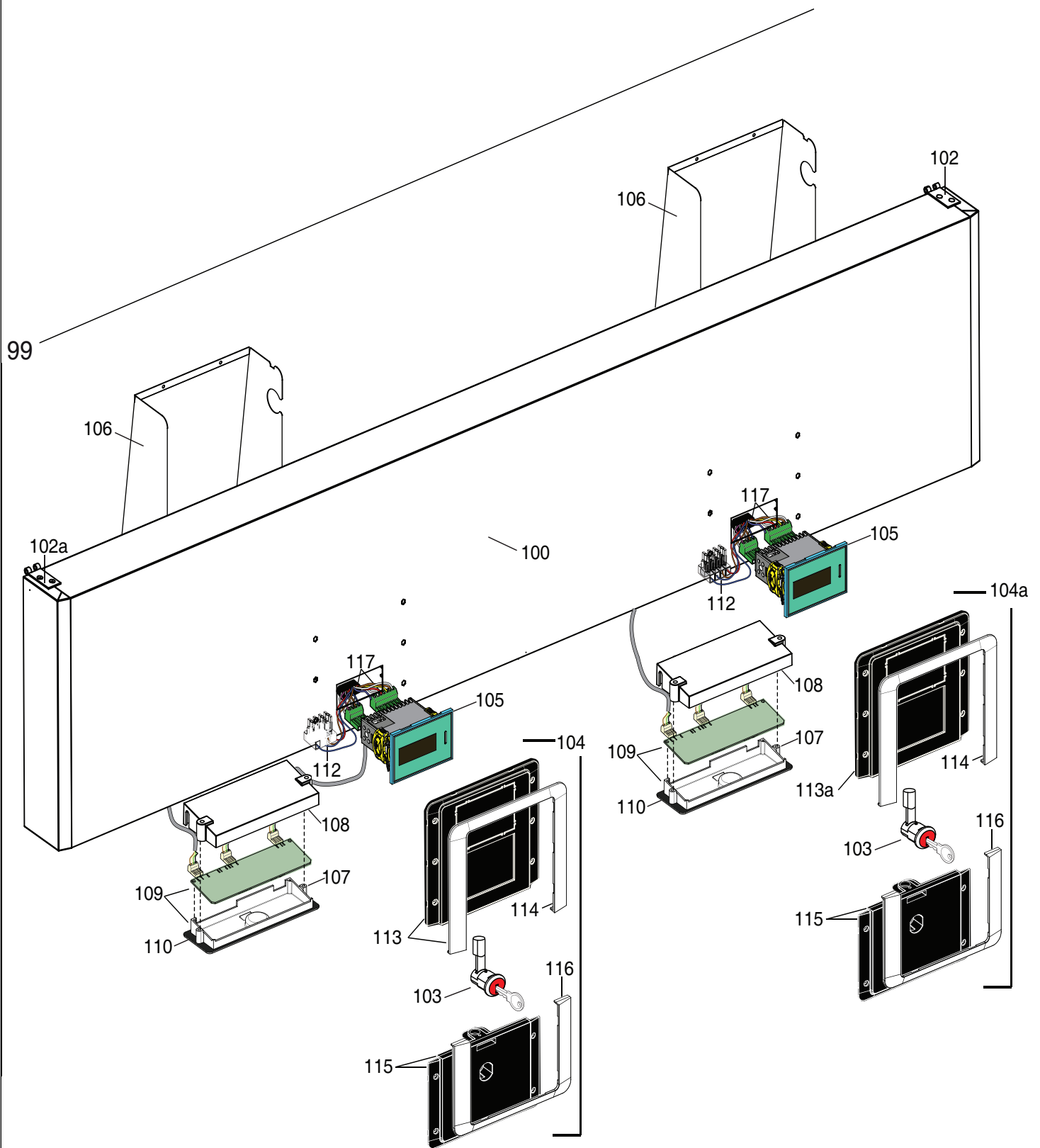
**Note:** for the correct identification of the components, follow the indicated pages and the reference letter.

Pag.	Index	Indice
2	Cabinet and door	Armadio e porta
3	Cooling unit assembly	Gruppo refrigerante
4	Cooling unit assembly	Gruppo refrigerante
5	Control panel	Pannello comandi
6,7,8,9	Spare parts list	Lista ricambi









PNC	Ref.	PNC	Ref.	PNC	Ref.	PNC	Ref.	PNC	Ref.	PNC	Ref.	PNC	Ref.
727328	a	728700	b	727329	c	728714	d	110599	e	110792	f		

Pos	Spare parts code	Factory code	Descrizione	Description	Ref - Note
1	093243	541R05001	Piedino	Foot	
2	093245	217555204	Vite per plastica per piedino	Screw ( use by fix foot)	
3	093246	518708601	Vite m8x20 per fiss. staffa sup/inf	Screw m8X20 ( use by fix bracket)	
4	*	502R18200	Staffa supporto fianchi	Side support	
6	093355	501R36201	Cremagliera anteriore	Front Rack	
6a	*	501R69900	Cremagliera pst. dx	Back right Rack	
6b	093364	501R46100	Cremagliera ant. 1/2 P -2T	Front Rack 1/2 door -2T	
7	093358	501R48000	Guida Sx	Left support	
8	093359	501R48200	Guida Dx	Right support	
9	093252	514R10600	Griglia 2/1 rilsan	Grid 2/1rilsan	a,c,d,e,f
9	093360	514R10700	Griglia 2/1 aisi 304	Grid 2/1 aisi 304	b
9a	080702	242667520	Bacinella per pesce	Basin for fish	
10	093253	514R12200	Griglia di fondo rilsan	Bottom grid rilsan	a,c,d,e,f
10	093296	514R12100	Griglia di fondo aisi 304	Bottom grid aisi 304	b
10a	093714	546R26000	Piletta di scarico	Drain pipe	
10b	085535	545733700	Tappo per piletta	Drain pipe plug	
10c	081797	544701400	Controdado per piletta	Drain pipe nut	
12	093545	832R09202	Cornice orrizzontale	Orrizzontal frame	
12a	093256	832R09300	Cornice verticale 1/2 porte dx	Vertical right frame 1/2 door	
12b	093272	832R10000	Cornice montante 1/2 porte	Horiz frame traverse	
12c	093255	832R09100	Cornice verticale sx	Vertical left frame	
12d	*	832R09601	Cornice vertic.montante 1/2porte dx	Vertical rgt. frame traverse 1/2 door	
12e	093399	832R09401	Cornice vertic.montante sx	Vertical lft. frame traverse	
13a	093362	617R07300	Cavo riscaldante cornice 1/2 porte	Heating cable frame 1/2 door	a,b,e
13a	093331	617R07500	Cavo riscaldante cornice 1/2 porte	Heating cable frame 1/2 door	c,d,f
13	093361	617R07100	Cavo riscaldante cornice 8,9W	Heating cable frame 8,9W	
14	093478	835R27201	Porta con guarn. cern.e masch. sx	Gasket, hinge, template and door (left)	
14a	093546	835R26303	1/2 Porta superiore dx	Upper 1/2 rht door	
15	093477	835R27601	Porta sx per mascherina	Door (left) for template	
15a	093519	835R25502	1/2 porta inf. dx	Lower 1/2 lft door	
<b>16</b>	<b>094152</b>	<b>548R08000</b>	<b>Guarnizione porta cieca</b>	<b>Gasket full door</b>	
17	082219	835704001	Cerniera porta	Hinge door	
18	081654	544700601	Boccola per porta	Door bush	
19	093341	833R21600	Staffa inferiore porta	Lower stirrup door	
20	082257	505723801	Staffa superiore porta	Upper stirrup door	
21	093271	541R05301	Tappo per cerniere	Hole hinge plug	
22	093575	835R24900	Ruota rotante con freno	Brake weel	
23	093574	835R24800	Ruota rotante	Weel	
<b>30</b>	<b>094153</b>	<b>548R08100</b>	<b>Guarnizione magnetica 1/2 porte</b>	<b>Half door gasket</b>	
31	093393	546R21100	Boccola per cerniera 1/2 porte	Half door bush	
32	093713	505R14200	Staffa inf. 1/2 porta	Lower stirrup 1/2 door	

PNC	Ref.	PNC	Ref.	PNC	Ref.	PNC	Ref.	PNC	Ref.	PNC	Ref.	PNC	Ref.
727328	a	728700	b	727329	c	728714	d	110599	e	110792	f		

Pos	Spare parts code	Factory code	Descrizione	Description	Ref - Note
33	093344	505R12400	Cerniera centrale	Central hinge door	
34	093433	833R21100	Serratura	Serratura	
51	093332	501R41503	Supporto impianto elettrico	Electrical wiring support	
*	*		Mod. gruppo tn sx-dx	Cooling unit refrig. (left-right)	a,b,c,d,e,f
52	093426	684R05900	Compress. EMT6152U - 230/50 sx	Compr. EMT6152U R290 230/50hz (left)	a,b,c,d,e,f
52	093425	684R05700	Compress. EMT6144U - 220/50 dx	Compr.EMT6144U R290 220/50hz (right)	a,b,e
52a	*	*	Relè avviamento	Start relay	
52b	*	*	Protettore	Protector	
52c	*	*	Condensatore di avviamento	Start capacitor	
53	087122	518708401	Fissaggio compressore	Rubber compressor	
54	093431	830R06600	Condensatore 5R D4,76 sx	Condenser 5R D4,76 (left)	a,b,c,d,e,f
54	093346	830R06500	Condensatore 4R D4.76 dx	Condenser 4R D4.76 (right)	a,b,e
54a	092360	646R09400	Sonda condensatore	Probe condenser	
54b	093602	546R24200	Copertura condensatore	Condenser cover	
55	089697	511708800	Ventola 230-31 (elco)	Ventola 230-31(elco)	
56	089755	546709500	Protezione ventola	Fan protection	
57	093259	515R12700	Serpentina evap. acqua di conden.	Evaporation water pipe	
58	093260	543R09300	Fissaggio serpentina	Stopper pipe	
59	093334	682R05300	Ventilatore condensatore (elco)	Condenser ventiator (elco)	
60	*	858R06700	Scambiatore sx	Heat exchanger (left)	a,b,c,d,e,f
<b>60</b>	<b>096488</b>	<b>858R06900</b>	<b>Scambiatore dx</b>	<b>Heat exchanger (right)</b>	<b>a,b,e</b>
61	084078	805729802	Filtro sx	Dehidrator filter (left)	a,b,c,d,e,f
61	099949	858R00100	Filtro dx	Dehidrator filter (right)	a,b,e
62	0A8171	A02021800	Valvola per compressore	Compressor valve	
63	093430	830R04101	Evaporatore 4R 8T sx	Evaporator 4R 8T (left)	a,b,c,d,e,f
63	093323	830R03901	Evaporatore 2R 8T dx	Evaporator 2R 8T (right)	a,b,e
64	*	501R37101	Vaschetta evaporatore sx	Evaporator tray (left)	a,b,c,d,e,f
64	093469	546R19201	Vaschetta evaporatore dx	Evaporator tray (right)	a,b,e
64a	093509	501R40700	Deviatore aria sx	Air conveyor (left)	
65	093366	682R05900	Ventilatore evap.EBM IQ3612 sx	Evaporator fan EBM IQ3612 (left)	a,b,c,d Up to 5051...
65	094477	682R08600	Ventilatore evap.EBM IQ3612 sx	Evaporator fan EBM IQ3612 (left)	a,b,c,d From 5061...
65	093367	682R05800	Ventilatore evap.EBM IQ3608 dx	Evaporator fan EBM IQ3608 (right)	a,b,e
65a	093365	511R01000	Ventola 230-34 ebm sx	Fan 230 -34 ebm (left)	a,b,c,d,e,f
65a	084920	511705100	Ventola dx	Fan (right)	a,b,e
66	089755	546709500	Griglia ventilatore sx	Motor fan support (left)	a,b,c,d,e,f
66	089770	546709600	Griglia ventilatore dx	Motor fan support (right)	a,b,e
67	092173	646R06700	Sonda cella	Cavity probe	
68	093347	617R06200	Resistenza con termost. sx	Heating element with thermostat (left)	a,b,c,d,e,f
68	093327	617R06100	Resistenza con termost. dx	Heating element with thermostat (right)	a,b,e

PNC	Ref.	PNC	Ref.	PNC	Ref.	PNC	Ref.	PNC	Ref.	PNC	Ref.	PNC	Ref.
727328	a	728700	b	727329	c	728714	d	110599	e	110792	f		

Pos	Spare parts code	Factory code	Descrizione	Description	Ref - Note
69	093487	514R11601	Molla per fissaggio termostati	Thermostat spring	
70	093572	514R11000	Molla per fissaggio resistenza	Heating element spring	
70a	093353	514R12000	Molla per fissaggio resistenza	Heating element spring	
71	093848	648R06300	Rele' FINDER 66.82.8.230.0001	Relay FINDER 66.82.8.230.0001	
71a	093776	648R05300	Varistore	Varistor	
71b	093775	648R05700	Dissipatore	Dissipator	
72	093510	501R44101	Convogliatore evaporat. pala sx	Evaporator conveyor (left)	a,b,e
72	093370	501R43901	Convogliatore evaporat. pala dx	Evaporator conveyor (right)	a,b,e
73	093528	639R09900	Morsettieria	Clamp	
74	093261	639R09901	Assieme Calotta	Evaporator cover	Up to 6181
74	095201	835R47601	Assieme Calotta schiumata	Evaporator cover	From 6191
*	095200	0881R32401	Modulo Calotta TN	Evaporator cover Module TN	
75	093262	14701R003	Neoprene espa. 8x13,3 nero (M4)	Gasket cover ( neoprene 8x13,3)	up to 6181
76	093245	217555204	Vite senza punta x plastica	Cover screw	
77	093263	546R19702	Tamponcino per tubi	Pipe cover insulation	
<b>78</b>	<b>094425</b>	<b>546R26501</b>	<b>Copertura scatola impianto elettrico</b>	<b>Wiring box cover</b>	
<b>78a</b>	<b>093976</b>	<b>546R26701</b>	<b>Scatola impianto elettrico</b>	<b>Wiring box</b>	
79	092257	694R00501	Filtro antisturbo	Electrical filter	
80	093415	617R07801	Resistenza scarico condensa	Drain heating	
81	093371	646R10900	Sonda ambiente	Ambient probe	
82	093489	559R01900	Coibentazione carter	Air blanketing	
99	*	880R66904	Cruscotto senza mascherina	Panel without template	
100	095303	509R13803	Cruscotto	Panel 304 AISI	
102	093609	832R10100	Cerniera cruscotto dx	Hinge for panel right	
102a	093610	832R10200	Cerniera cruscotto sx	Hinge for panel left	
103	093345	833R20900	Serratura	Latch	
104	093380	855R10801	Ass.masch. porta/cruscotto Elux	Complete template door and panel	a,c
<b>104</b>	<b>093381</b>	<b>855R10900</b>	<b>Ass.masch. porta/cruscotto Zan</b>	<b>Complete template door and panel</b>	<b>e,f</b>
104	093382	855R11000	Ass.masch. porta/cruscotto Apx	Complete template door and panel	b,d
104a	093383	855R11101	Ass.masch. porta/cruscotto Elux	Complete template door and panel	a
<b>104a</b>	<b>093384</b>	<b>855R11200</b>	<b>Ass.masch. porta/cruscotto Zan</b>	<b>Complete template door and panel</b>	<b>e</b>
104a	093385	855R11300	Ass.masch. porta/cruscotto Apx	Complete template door and panel	b,d
105	093437	646R10601	Termoregolatore ir33 premium pc	Thermoregulator premium	
106	093295	501R37401	Protezione	Protection led-lamp	
107	093386	546R19501	Supporto scheda led	Support led-lamp	
108	093387	546R19600	Protezione scheda led	Protection led-lamp	
109	093389	648R05000	Scheda led 2M	Led-lamp board GL	
110	093390	569R05900	Guarnizione per scheda led	Ledlamp board gasket	
112	093391	639R10400	Morsetto	Clamp	
113	*	855R09900	Ass. mascherina cruscotto Elux	Assembled template panel Elux	a,c
<b>113</b>	*	<b>855R10000</b>	<b>Ass. mascherina cruscotto Zan</b>	<b>Assembled template panel Zan</b>	<b>e,f</b>
113	*	855R10100	Ass. mascherina cruscotto Apx	Assembled template panel Apx	b,d

<b>PNC</b>	<b>Ref.</b>	<b>PNC</b>	<b>Ref.</b>	<b>PNC</b>	<b>Ref.</b>	<b>PNC</b>	<b>Ref.</b>	<b>PNC</b>	<b>Ref.</b>	<b>PNC</b>	<b>Ref.</b>	<b>PNC</b>	<b>Ref.</b>
727328	a	728700	b	727329	c	728714	d	110599	e	110792	f		

<b>Pos</b>	Spare parts code	Factory code	<b>Descrizione</b>				<b>Description</b>				<b>Ref - Note</b>
113a	*	855R10200	Ass. mascherina cruscotto Elux				Assembled template panel Elux				a
<b>113a</b>	*	<b>855R10300</b>	<b>Ass. mascherina cruscotto Zan</b>				<b>Assembled template panel Zan</b>				<b>e</b>
113a	*	855R10400	Ass. mascherina cruscotto Apx				Assembled template panel Apx				b,d
114	*	546R20000	Cornice mascherina cruscotto elux				Template frame for panel Elux				a,c
114	*	546R20100	Cornice mascherina cruscotto Z/Apx				Template frame for panel Z/Apx				b,d,e,f
115	*	855R10500	Ass. mascherina porta Elux				Assembled template door Elux				a,c
<b>115</b>	*	<b>855R10600</b>	<b>Ass. mascherina porta Zan</b>				<b>Assembled template door Zan</b>				<b>e,f</b>
115	*	855R10700	Ass. mascherina porta Apx				Assembled template door Apx				b,d
116	*	546R20200	Cornice mascherina porta Elux				Control door frame Elux				a,c
116	*	546R20300	Cornice mascherina porta Z/Apx				Control door frame Z/Apx				b,d,e,f
*	093491	217541085	Vite per fissaggio mascherina M3x8				Screws M3X8 for control door/panel				
117	092663	639R06800	Connettore dritto 3 vie				Connector 3 ways right				
117	092335	639R06900	Connettore dritto 7 vie				Connector 7 ways right				
117	099740	639730200	Connettore 90° 7 vie				Connector 7 ways 90°				
117	099741	639735900	Connettore 90° 5 vie				Connector 5 ways 90°				
117	088998	63722900	Connettore 90° 3 vie				Connector 3 ways 90°				
117	099743	*	Connettore 90° 3 vie piccolo				Connector 3 ways 90° small				
117	099742	639722800	Connettore 90° 2 vie				Connector 2 ways 90°				
117	091682	639R04400	Connettore 90° 4 vie				Connector 4 ways 90°				
117	091684	639R405	Connettore 90° 5 vie				Connector 5 ways 90°				
			Mod. gruppo dx bt R404A				Cooling unit freezer dx				c,d,f
252	093422	684R05800	Compressore NT2170U 220-40/50				Compressor NT2170U 220-40/50hz				
252a	*	*	Relè avviamento				Start relay				
252b	*	*	Protettore				Protector				
252c	*	*	Condensatore di avviamento				Start capacitor				
254	093333	830R04900	Condensatore 4R-11T				Condenser 4R-11T				
255	089697	511708800	Ventola 230-31 (elco)				Ventola 230-31(elco)				
256	089755	546709500	Protezione ventola				Fan protection				
257	*	515R13201	Serpentina evap. acqua di conden.				Evaporation water pipe				
259	093334	682R05300	Ventilatore condensatore (elco)				Condenser ventiator (elco)				
260	093462	858R07900	Scambiatore				Heat exchanger				
261	099949	805729802	Filtro				Dehidrator filter				
262	0A8171	A02021800	Valvola per compressore				Compressor valve				
263	093335	830R04001	Evaporatore 3R 8T				Evaporator 2R 8T				
264	*	501R45201	Vaschetta evaporatore				Evaporator tray				
264c	093409	548R07200	Isolante per vaschetta evaporatore				Evaporator tray insulation				
265	093325	682R05701	Ventilatore evaporatore				Evaporator fan				
266	093326	501R45101	Staffa ventilatore				Fan support				
268	093347	617R06200	Resistenza con termost.				Heating element with thermostat				
270	093516	514R11200	Molla per fissaggio resistenza				Heating element spring				
272	093314	501R44801	Convogliatore evaporat.				Evaporator conveyor				
277	093263	546R19702	Tamponcino per tubi				Pipe cover insulation				