

Thermoregulator  
2M TN-BT

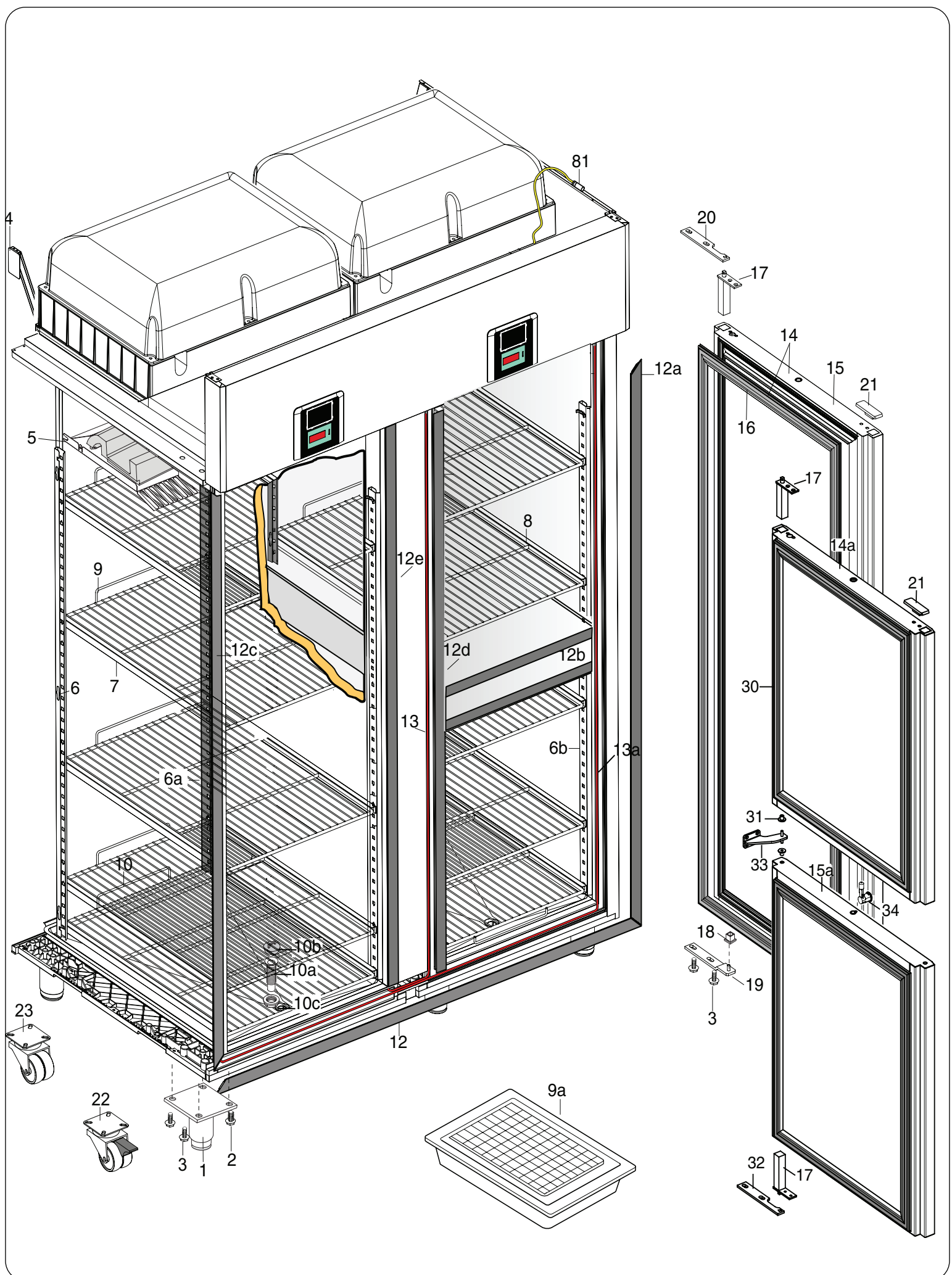
# CABINETS PREMIUM DUAL TEMPERATURE R290

| PNC    | En.Ch. | Model  | Ref. | Page          |
|--------|--------|--|------|---------------|
| 110599 | 00/00  | 1-DOOR+2½-DUAL REF(FISH)1430L -2-6°,DIGITAL-R290   | e    | 2,3,4,7,8     |
| 110792 | 00/00  | 1-DOOR+2½-DOOR DUAL REF 1430L -2-22°C,DIGITAL-R290 | f    | 2,3,4,5,6,7,8 |
| 727328 | 19/19  | FV 2M 3 DOORS -2/-6°C A304 R290 ELUX ITTICO        | a    | 2,3,4,7,8     |
| 727329 | 21/21  | FV 2M 3 DOORS -2/-22°C A304 R290 ELUX              | c    | 2,3,4,5,6,7,8 |
| 728700 | 04/18  | FV 2M 3 DOORS -2/-6°C A304 R290 ALPEN ITTICO       | b    | 2,3,4,7,8     |
| 728714 | 01/16  | FV 2M 3 DOORS -2/-22°C A304 R290 ALPEN             | d    | 2,3,4,5,6,7,8 |

**Note:** per la corretta identificazione dei componenti, attenersi esclusivamente alle pagine indicate e alla lettera di riferimento.

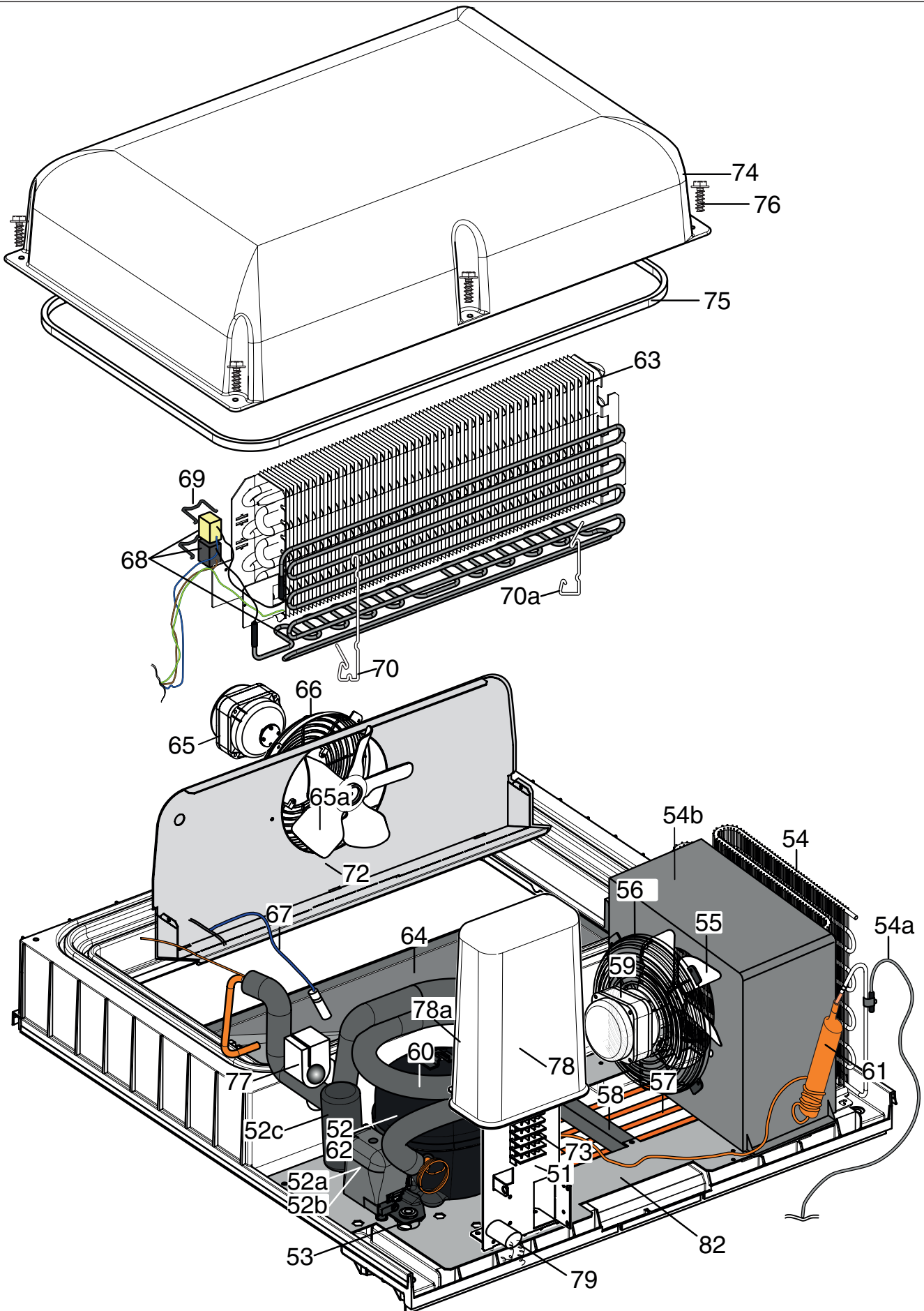
**Note:** for the correct identification of the components, follow the indicated pages and the reference letter.

| Pag. | Index                 | Indice              |
|------|-----------------------|---------------------|
| 2    | Cabinet and door      | Armadio e porta     |
| 3,4  | Cooling unit assembly | Gruppo refrigerante |
| 5,6  | Cooling unit assembly | Gruppo refrigerante |
| 7,8  | Control panel         | Pannello comandi    |
| 9-12 | Spare parts list      | Lista ricambi       |



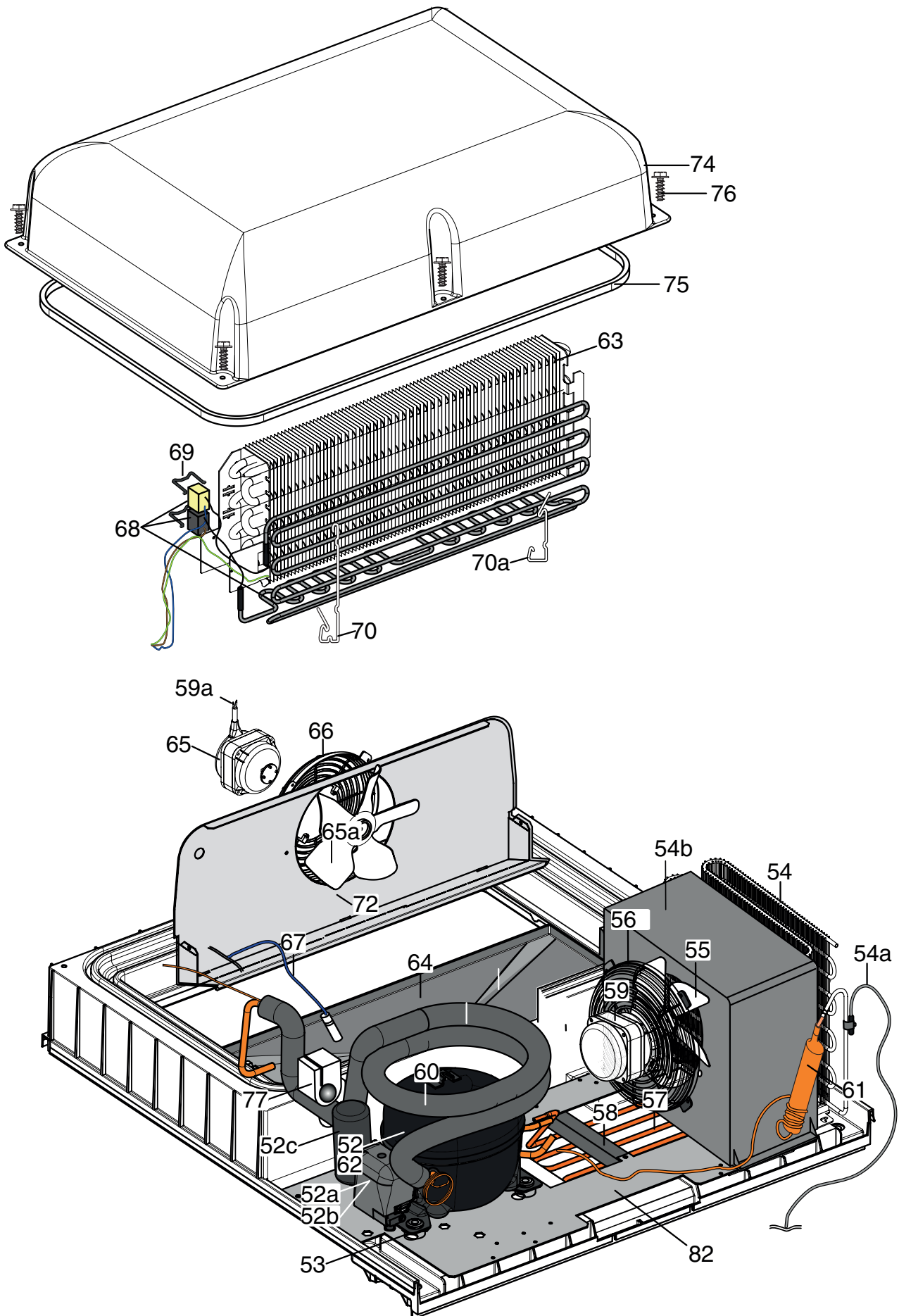
# TN COOLING UNIT ASSEMBLY

## up to 2021/37



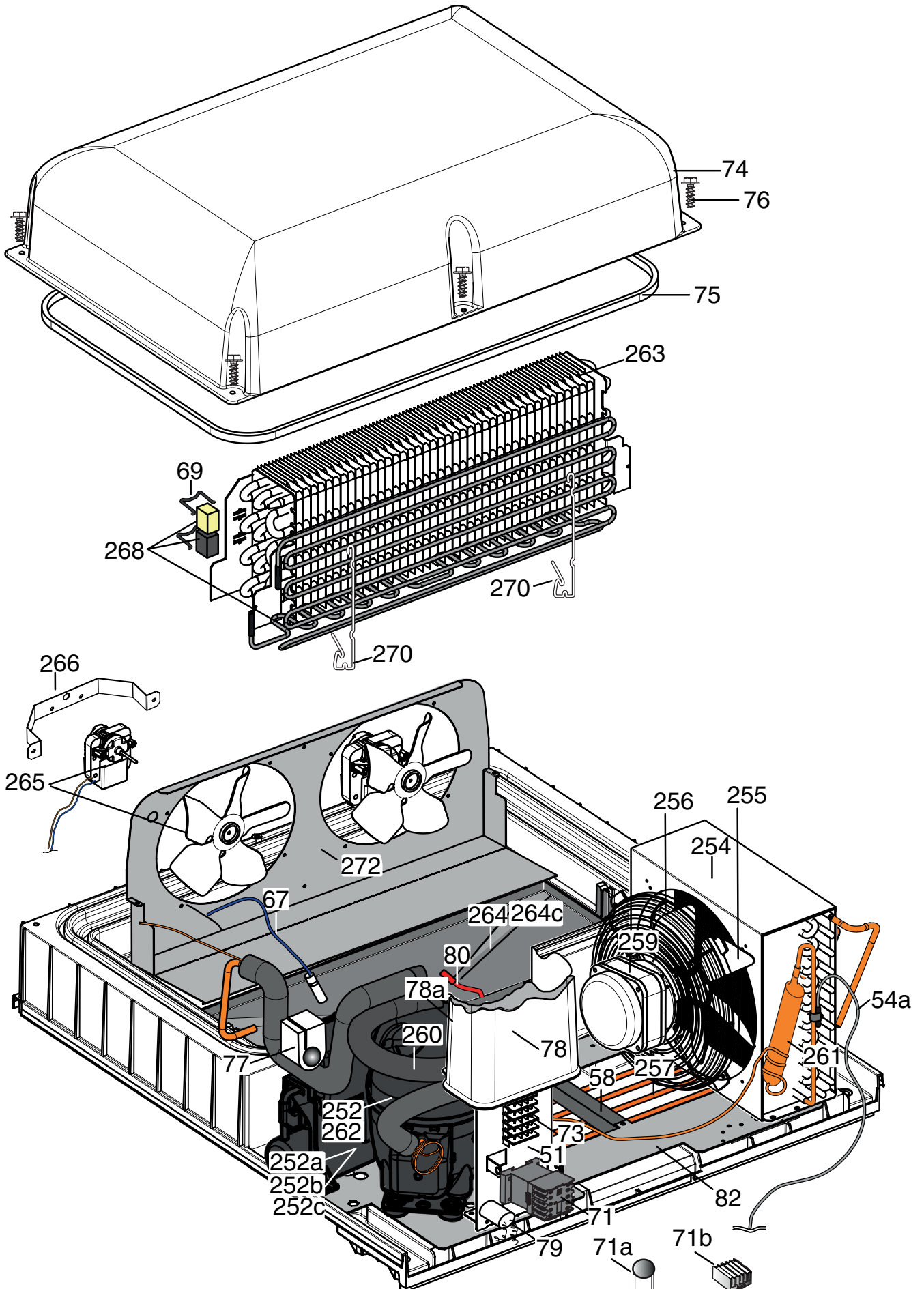
# TN COOLING UNIT ASSEMBLY

## from 2021/38



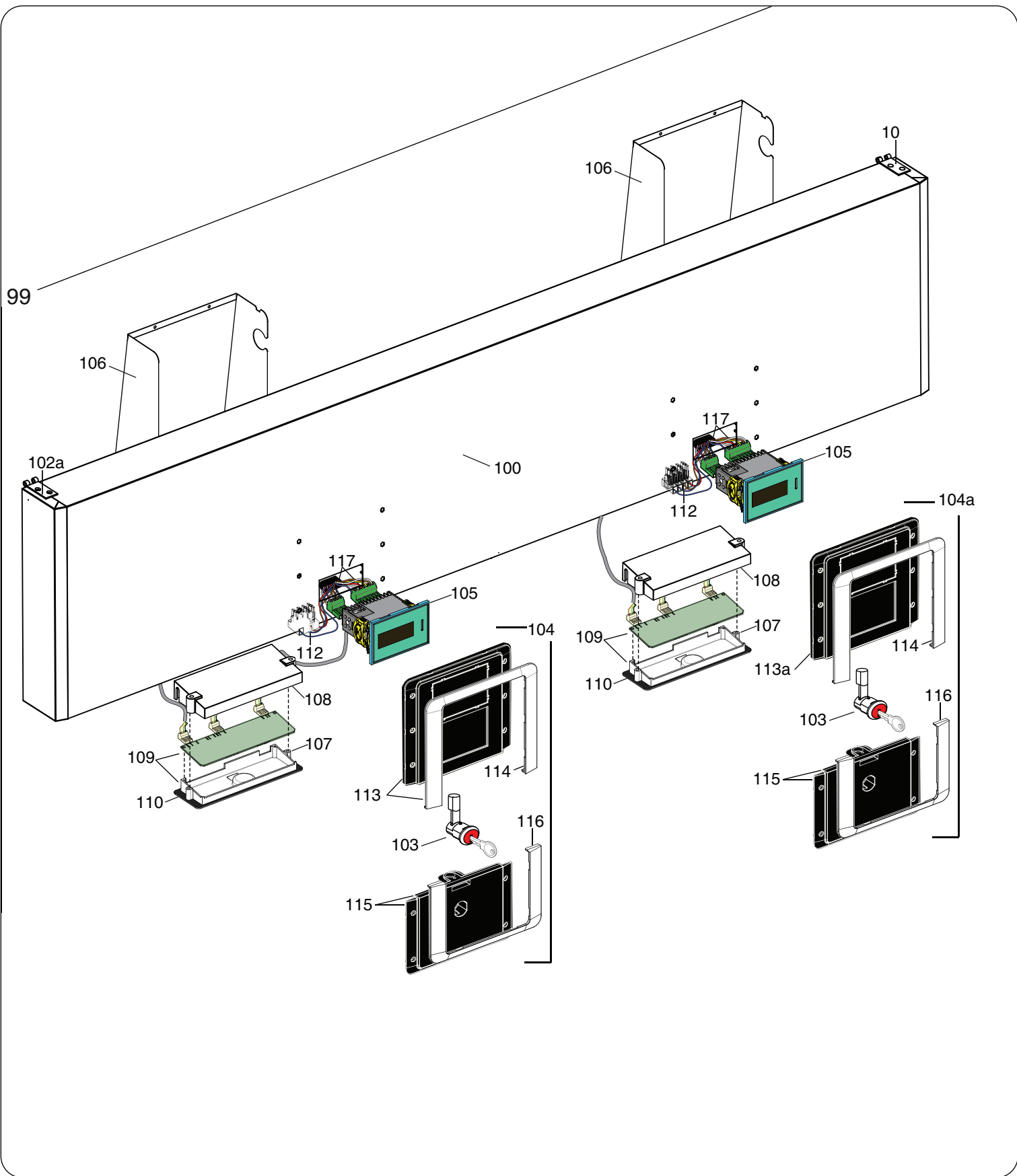
# BT COOLING UNIT ASSEMBLY

## up to 2021/37



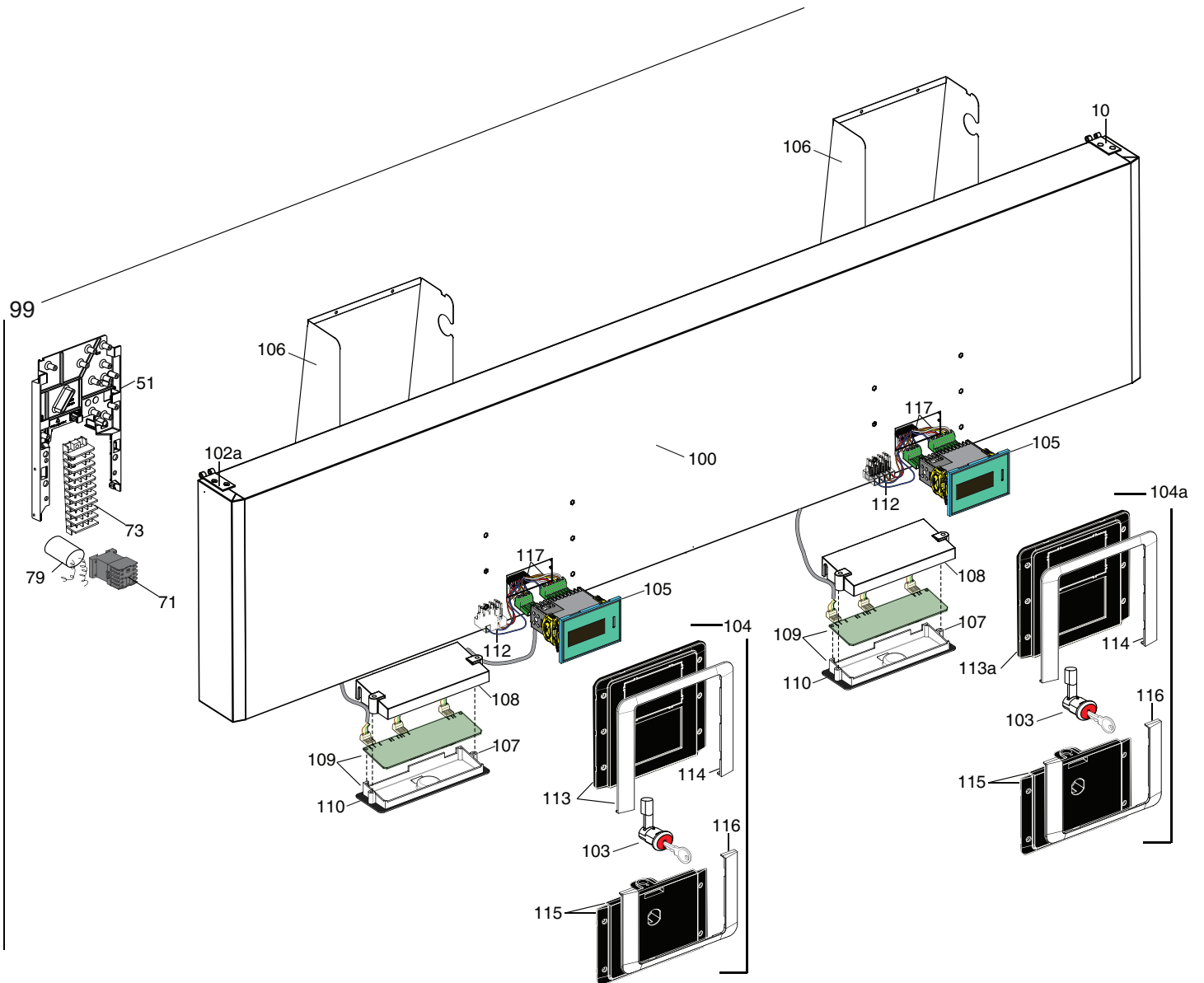


# CONTROL PANEL up to 2021/37



# CONTROL PANEL

## from 2021/38



|        |      |        |      |        |      |        |      |        |      |        |      |     |      |
|--------|------|--------|------|--------|------|--------|------|--------|------|--------|------|-----|------|
| PNC    | Ref. | PNC    | Ref. | PNC    | Ref. | PNC    | Ref. | PNC    | Ref. | PNC    | Ref. | PNC | Ref. |
| 727328 | a    | 728700 | b    | 727329 | c    | 728714 | d    | 110599 | e    | 110792 | f    |     |      |

| Pos | Spare parts code | Factory code | Descrizione                          | Description                             | Ref - Note          |
|-----|------------------|--------------|--------------------------------------|---|---------------------|
| 1   | 093243           | 541R05001    | Piedino                              | Foot                                    |                     |
| 2   | 093245           | 217555204    | Vite per plastica per piedino        | Screw ( use by fix foot)                |                     |
| 3   | 093246           | 518708601    | Vite m8x20 per fiss. staffa sup/inf  | Screw m8X20 ( use by fix bracket)       |                     |
| 4   | *                | 502R18200    | Staffa supporto fianchi              | Side support                            |                     |
| 5   | *                | 875R37401    | <b>Internal protection TN side</b>   | <b>Carter interno lato TN</b>           | <b>a,b,e</b>        |
| 5   | *                | 875R37501    | <b>Internal protection</b>           | <b>Carter interno</b>                   | <b>a,b,c,d,e,f</b>  |
| 5   | 097108           | 875R37600    | <b>Internal protection BT side</b>   | <b>Carter interno lato BT</b>           | <b>c,d,f</b>        |
| 6   | 093355           | 501R36201    | Cremagliera anteriore                | Front Rack                              |                     |
| 6a  | *                | 501R69900    | Cremagliera pst. dx                  | Back right Rack                         |                     |
| 6b  | 093364           | 501R46100    | Cremagliera ant. 1/2 P -2T           | Front Rack 1/2 door -2T                 |                     |
| 7   | 093358           | 501R48000    | Guida Sx                             | Left support                            |                     |
| 8   | 093359           | 501R48200    | Guida Dx                             | Right support                           |                     |
| 9   | 093252           | 514R10600    | Griglia 2/1 rilsan                   | Grid 2/1 rilsan                         | a,c,d,e,f           |
| 9   | 093360           | 514R10700    | Griglia 2/1 aisi 304                 | Grid 2/1 aisi 304                       | b                   |
| 9a  | 080702           | 242667520    | Bacinella per pesce                  | Basin for fish                          |                     |
| 10  | 093253           | 514R12200    | Griglia di fondo rilsan              | Bottom grid rilsan                      | a,c,d,e,f           |
| 10  | 093296           | 514R12100    | Griglia di fondo aisi 304            | Bottom grid aisi 304                    | b                   |
| 10a | 093714           | 546R26000    | Piletta di scarico                   | Drain pipe                              |                     |
| 10b | 085535           | 545733700    | Tappo per piletta                    | Drain pipe plug                         |                     |
| 10c | 081797           | 544701400    | Controdado per piletta               | Drain pipe nut                          |                     |
| 12  | 093545           | 832R09202    | Cornice orrizzontale                 | Orrizzontal frame                       |                     |
| 12a | 093256           | 832R09300    | Cornice verticale 1/2 porte dx       | Vertical right frame 1/2 door           |                     |
| 12b | 093272           | 832R10000    | Cornice montante 1/2 porte           | Horiz frame traverse                    |                     |
| 12c | 093255           | 832R09100    | Cornice verticale sx                 | Vertical left frame                     |                     |
| 12d | *                | 832R09601    | Cornice vertic.montante 1/2porte dx  | Vertical rgt. frame traverse 1/2 door   |                     |
| 12e | 093399           | 832R09401    | Cornice vertic.montante sx           | Vertical lft. frame traverse            |                     |
| 13a | 093362           | 617R07302    | Cavo riscaldante cornice 1/2 porte   | Heating cable frame 1/2 door            | a,b,e               |
| 13a | 093331           | 617R07502    | Cavo riscaldante cornice 1/2 porte   | Heating cable frame 1/2 door            | c,d,f               |
| 13  | 093361           | 617R07101    | Cavo riscaldante cornice 8,9W        | Heating cable frame 8,9W                | Up to 2021/37       |
| 13  | 097288           | 617R26000    | <b>Cavo riscaldante cornice 8,9W</b> | <b>Heating cable frame 8,9W</b>         | <b>From 2021/38</b> |
| 14  | 093478           | 835R27208    | Porta con guarn. cern.e masch. sx    | Gasket, hinge, template and door (left) |                     |
| 14a | 093546           | 835R26310    | 1/2 Porta superiore dx               | Upper 1/2 rht door                      |                     |
| 15  | 093477           | 835R27607    | Porta sx per mascherina              | Door (left) for template                |                     |
| 15a | 093519           | 835R25509    | 1/2 porta inf. dx                    | Lower 1/2 lft door                      |                     |
| 16  | 094152           | 548R08000    | Guarnizione porta cieca              | Gasket full door                        |                     |
| 17  | 082219           | 835704001    | Cerniera porta                       | Hinge door                              |                     |
| 18  | 081654           | 544700601    | Boccola per porta                    | Door bush                               |                     |
| 19  | 093341           | 833R21600    | Staffa inferiore porta               | Lower stirrup door                      |                     |
| 20  | 082257           | 505723801    | Staffa superiore porta               | Upper stirrup door                      |                     |
| 21  | 093271           | 541R05301    | Tappo per cerniere                   | Hole hinge plug                         |                     |
| 22  | 093575           | 835R24900    | Ruota rotante con freno              | Brake weel                              |                     |
| 23  | 093574           | 835R24800    | Ruota rotante                        | Weel                                    |                     |
| 30  | 094153           | 548R08100    | Guarnizione magnetica 1/2 porte      | Half door gasket                        |                     |
| 31  | 093393           | 546R21100    | Boccola per cerniera 1/2 porte       | Half door bush                          |                     |
| 32  | 093713           | 505R14200    | Staffa inf. 1/2 porta                | Lower stirrup 1/2 door                  |                     |
| 33  | 093344           | 505R12400    | Cerniera centrale                    | Central hinge door                      |                     |
| 34  | 093433           | 833R21100    | Serratura                            | Serratura                               |                     |

|            |             |            |             |            |             |            |             |            |             |            |             |            |             |
|------------|-------------|------------|-------------|------------|-------------|------------|-------------|------------|-------------|------------|-------------|------------|-------------|
| <b>PNC</b> | <b>Ref.</b> | <b>PNC</b> | <b>Ref.</b> | <b>PNC</b> | <b>Ref.</b> | <b>PNC</b> | <b>Ref.</b> | <b>PNC</b> | <b>Ref.</b> | <b>PNC</b> | <b>Ref.</b> | <b>PNC</b> | <b>Ref.</b> |
| 727328     | a           | 728700     | b           | 727329     | c           | 728714     | d           | 110599     | e           | 110792     | f           |            |             |

| <b>Pos</b> | <b>Spare parts code</b> | <b>Factory code</b> | <b>Descrizione</b>                     | <b>Description</b>                             | <b>Ref - Note</b>               |
|------------|-------------------------|---------------------|--|--|---------------------------------|
| <b>51</b>  |                         | <b>502R24300</b>    | <b>Supporto impianto elettrico</b>     | <b>Electrical wiring support</b>               | <b>Up to 2021/37</b>            |
| <b>51</b>  | <b>097284</b>           | <b>546R43401</b>    | <b>Supporto impianto elettrico</b>     | <b>Electrical wiring support</b>               | <b>From 2021/38</b>             |
| *          | *                       |                     | Mod. gruppo tn sx-dx                   | Cooling unit refrig. (left-right)              | a,b,c,d,e,f                     |
| 52         | 093426                  | 684R05900           | Compress. EMT6152U - 230/50 sx         | Compr. EMT6152U R290 230/50hz (left)           | a,b,c,d,e,f                     |
| 52         | 093425                  | 684R05700           | Compress. EMT6144U - 220/50 dx         | Compr. EMT6144U R290 220/50hz (right)          | a,b,e                           |
| 52a        | *                       | *                   | Relè avviamento                        | Start relay                                    |                                 |
| 52b        | *                       | *                   | Protettore                             | Protector                                      |                                 |
| 52c        | *                       | *                   | Condensatore di avviamento             | Start capacitor                                |                                 |
| 53         | 087122                  | 518708401           | Fissaggio compressore                  | Rubber compressor                              |                                 |
| 54         | 093431                  | 830R06600           | Condensatore 5R D4,76 sx               | Condenser 5R D4,76 (left)                      | a,b,c,d,e,f                     |
| 54         | 093346                  | 830R06500           | Condensatore 4R D4.76 dx               | Condenser 4R D4.76 (right)                     | a,b,e                           |
| 54a        | 092360                  | 646R09400           | Sonda condensatore                     | Probe condenser                                |                                 |
| 54b        | 093602                  | 546R24200           | Copertura condensatore                 | Condenser cover                                |                                 |
| 55         | 089697                  | 511708800           | Ventola 230-31 (elco)                  | Ventola 230-31(elco)                           |                                 |
| 56         | 089755                  | 546709500           | Protezione ventola                     | Fan protection                                 |                                 |
| 57         | 093259                  | 515R12700           | Serpentina evap. acqua di conden.      | Evaporation water pipe                         |                                 |
| 58         | 093260                  | 543R09300           | Fissaggio serpentina                   | Stopper pipe                                   |                                 |
| <b>59</b>  | <b>096995</b>           | <b>682R12200</b>    | <b>Ventilatore condensatore (elco)</b> | <b>Condenser fan (elco)</b>                    |                                 |
| <b>59a</b> | <b>097055</b>           | <b>635R37900</b>    | <b>Cablaggio ventilatore</b>           | <b>Fan wiring</b>                              |                                 |
| 60         | *                       | 858R06700           | Scambiatore sx                         | Heat exchanger (left)                          | a,b,c,d,e,f                     |
| 60         | 096488                  | 858R06900           | Scambiatore dx                         | Heat exchanger (right)                         | a,b,e                           |
| 61         | 084078                  | 805729802           | Filtro sx                              | Dehidrator filter (left)                       | a,b,c,d,e,f                     |
| 61         | 099949                  | 858R00100           | Filtro dx                              | Dehidrator filter (right)                      | a,b,e                           |
| 62         | 0A8171                  | A02021800           | Valvola per compressore                | Compressor valve                               |                                 |
| 63         | 093430                  | 830R04101           | Evaporatore 4R 8T sx                   | Evaporator 4R 8T (left)                        | a,b,c,d,e,f                     |
| 63         | 093323                  | 830R03901           | Evaporatore 2R 8T dx                   | Evaporator 2R 8T (right)                       | a,b,e                           |
| 64         | *                       | 501R37101           | Vaschetta evaporatore sx               | Evaporator tray (left)                         | a,b,c,d,e,f                     |
| 64         | 093469                  | 546R19201           | Vaschetta evaporatore dx               | Evaporator tray (right)                        | a,b,e                           |
| 64a        | 093509                  | 501R40700           | Deviatore aria sx                      | Air conveyor (left)                            |                                 |
| 65         | 093366                  | 682R05900           | Ventilatore evap.EBM IQ3612 sx         | Evaporator fan EBM IQ3612 (left)               | a,b,c,d<br>Up to 5051...        |
| <b>65</b>  | <b>096482</b>           | <b>682R12700</b>    | <b>Ventilatore evap.EBM IQ3612 sx</b>  | <b>Evaporator fan EBM IQ3612 (left)</b>        | <b>a,b,c,d<br/>From 5061...</b> |
| <b>65</b>  | <b>096231</b>           | <b>682R12600</b>    | <b>Ventilatore evap.EBM IQ3608 dx</b>  | <b>Evaporator fan EBM IQ3608 (right)</b>       | <b>a,b,e</b>                    |
| 65a        | 093365                  | 511R01000           | Ventola 230-34 ebm sx                  | Fan 230 -34 ebm (left)                         | a,b,c,d,e,f                     |
| 65a        | 084920                  | 511705100           | Ventola dx                             | Fan (right)                                    | a,b,e                           |
| 66         | 089755                  | 546709500           | Griglia ventilatore sx                 | Motor fan support (left)                       | a,b,c,d,e,f                     |
| 66         | 089770                  | 546709600           | Griglia ventilatore dx                 | Motor fan support (right)                      | a,b,e                           |
| 67         | 092173                  | 646R06700           | Sonda cella                            | Cavity probe                                   |                                 |
| 68         | 093347                  | 617R06201           | Resistenza con termost. sx             | Heating element with thermostat (left)         | a,b,c,d,e,f<br>Up to 2021/37    |
| <b>68</b>  | <b>097286</b>           | <b>617R25400</b>    | <b>Resistenza con termost. sx</b>      | <b>Heating element with thermostat (left)</b>  | <b>a,b,e from<br/>2021/38</b>   |
| <b>68</b>  |                         | <b>617R25500</b>    | <b>Resistenza con termost. sx</b>      | <b>Heating element with thermostat (left)</b>  | <b>c,d,f from<br/>2021/38</b>   |
| 68         | 093327                  | 617R06101           | Resistenza con termost. dx             | Heating element with thermostat (right)        | a,b,e up to<br>2021/37          |
| <b>68</b>  | <b>097286</b>           | <b>617R25400</b>    | <b>Resistenza con termost. dx</b>      | <b>Heating element with thermostat (right)</b> | <b>a,b,e from<br/>2021/38</b>   |

|            |             |            |             |            |             |            |             |            |             |            |             |            |             |
|------------|-------------|------------|-------------|------------|-------------|------------|-------------|------------|-------------|------------|-------------|------------|-------------|
| <b>PNC</b> | <b>Ref.</b> | <b>PNC</b> | <b>Ref.</b> | <b>PNC</b> | <b>Ref.</b> | <b>PNC</b> | <b>Ref.</b> | <b>PNC</b> | <b>Ref.</b> | <b>PNC</b> | <b>Ref.</b> | <b>PNC</b> | <b>Ref.</b> |
| 727328     | a           | 728700     | b           | 727329     | c           | 728714     | d           | 110599     | e           | 110792     | f           |            |             |

| <b>Pos</b> | <b>Spare parts code</b> | <b>Factory code</b> | <b>Descrizione</b>                           | <b>Description</b>                       | <b>Ref - Note</b>             |
|------------|-------------------------|---------------------|--|--|-------------------------------|
| 69         | 093487                  | 514R11601           | Molla per fissaggio termostati               | Thermostat spring                        |                               |
| 70         | 093572                  | 514R11000           | Molla per fissaggio resistenza               | Heating element spring                   |                               |
| 70a        | 093353                  | 514R12000           | Molla per fissaggio resistenza               | Heating element spring                   |                               |
| 71         | 093848                  | 648R06300           | Rele' FINDER 66.82.8.230.0001                | Relay FINDER 66.82.8.230.0001            |                               |
| 71a        | 093776                  | 648R05300           | Varistore                                    | Varistor                                 |                               |
| 71b        | 093775                  | 648R05700           | Dissipatore                                  | Dissipator                               |                               |
| 72         | 094428                  | 502R57901           | Convogliatore evaporat. pala sx              | Evaporator conveyor (left)               |                               |
| 72         | 093370                  | 501R43901           | Convogliatore evaporat. pala dx              | Evaporator conveyor (right)              | a,b,e                         |
| 73         | 093528                  | 639R09900           | Morsettiera                                  | Clamp                                    |                               |
| 74         | 093261                  | 639R09901           | Assieme Calotta                              | Evaporator cover                         | Up to 6181                    |
| 74         | 095201                  | 835R47601           | Assieme Calotta schiumata                    | Evaporator cover                         | From 6191                     |
| *          | 095200                  | 881R32401           | Modulo Calotta TN                            | Evaporator cover Module TN               |                               |
| 75         | 093262                  | 14701R003           | Neoprene espa. 8x13,3 nero (M4)              | Gasket cover ( neoprene 8x13,3)          | up to 6181                    |
| 76         | 093245                  | 217555204           | Vite senza punta x plastica                  | Cover screw                              |                               |
| 77         | 093263                  | 546R19702           | Tamponcino per tubi                          | Pipe cover insulation                    |                               |
| <b>78</b>  | <b>094425</b>           | <b>546R26501</b>    | <b>Copertura scatola impianto elettrico</b>  | <b>Wiring box cover</b>                  | <b>Up to 2021/37</b>          |
| <b>78a</b> | <b>093976</b>           | <b>546R26701</b>    | <b>Scatola impianto elettrico</b>            | <b>Wiring box</b>                        | <b>Up to 2021/37</b>          |
| 79         | 096636                  | 694R00502           | Filtro antisturbo                            | Electrical filter                        |                               |
| 80         | 093415                  | 617R07801           | Resistenza scarico condensa                  | Drain heating                            |                               |
| 81         | 093371                  | 646R10900           | Sonda ambiente                               | Ambient probe                            |                               |
| <b>82</b>  | <b>094451</b>           | <b>546R26800</b>    | <b>Basamento gruppo</b>                      | <b>Basement</b>                          |                               |
| 99         | *                       | 880R66907           | Cruscotto senza mascherina                   | Panel without template                   | Up to 2021/37                 |
| <b>99</b>  | <b>*</b>                | <b>883R34602</b>    | <b>Cruscotto senza mascherina TN/TN</b>      | <b>Panel without template TN/TN</b>      | <b>a,b,e<br/>From 2021/38</b> |
| <b>99</b>  | <b>*</b>                | <b>883R34702</b>    | <b>Cruscotto senza mascherina TN/BT R290</b> | <b>Panel without template TN/BT R290</b> | <b>c,d,f<br/>From 2021/38</b> |
| 100        | 095303                  | 509R13803           | Cruscotto                                    | Panel 304 AISI                           | Up to 2021/37                 |
| <b>100</b> | <b>097280</b>           | <b>509R25401</b>    | <b>Cruscotto</b>                             | <b>Panel 304 AISI</b>                    | <b>From 2021/38</b>           |
| 102        | 093609                  | 832R10100           | Cerniera cruscotto dx                        | Hinge for panel right                    |                               |
| 102a       | 093610                  | 832R10200           | Cerniera cruscotto sx                        | Hinge for panel left                     |                               |
| 103        | 093345                  | 833R20900           | Serratura                                    | Latch                                    |                               |
| 104        | 093380                  | 855R10801           | Ass.masch. porta/cruscotto Elux              | Complete template door and panel         | a,c                           |
| 104        | 093381                  | 855R10900           | Ass.masch. porta/cruscotto Zan               | Complete template door and panel         | e,f                           |
| 104        | 093382                  | 855R11000           | Ass.masch. porta/cruscotto Apx               | Complete template door and panel         | b,d                           |
| 104a       | 093383                  | 855R11101           | Ass.masch. porta/cruscotto Elux              | Complete template door and panel         | a                             |
| 104a       | 093384                  | 855R11200           | Ass.masch. porta/cruscotto Zan               | Complete template door and panel         | e                             |
| 104a       | 093385                  | 855R11300           | Ass.masch. porta/cruscotto Apx               | Complete template door and panel         | b,d                           |
| 105        | 093437                  | 646R10602           | Termoregolatore ir33 premium pc              | Thermoregulator premium                  |                               |
| <b>106</b> | <b>094389</b>           | <b>501R37403</b>    | <b>Protezione</b>                            | <b>Protection led-lamp</b>               | <b>Up to 2021/43</b>          |
| <b>106</b> | <b>097245</b>           | <b>504R35000</b>    | <b>Protezione</b>                            | <b>Protection led-lamp</b>               | <b>From 2021/44</b>           |
| 107        | 093386                  | 546R19501           | Supporto scheda led                          | Support led-lamp                         |                               |
| 108        | 093387                  | 546R19600           | Protezione scheda led                        | Protection led-lamp                      |                               |
| 109        | 093389                  | 648R05000           | Scheda led 2M                                | Led-lamp board GL                        |                               |
| 110        | 093390                  | 569R05900           | Guarnizione per scheda led                   | Ledlamp board gasket                     |                               |
| 112        | 093391                  | 639R10400           | Morsetto                                     | Clamp                                    |                               |
| 113        | *                       | 855R09900           | Ass. mascherina cruscotto Elux               | Assembled template panel Elux            | a,c                           |
| 113        | *                       | 855R10000           | Ass. mascherina cruscotto Zan                | Assembled template panel Zan             | e,f                           |
| 113        | *                       | 855R10100           | Ass. mascherina cruscotto Apx                | Assembled template panel Apx             | b,d                           |
| 113a       | *                       | 855R10200           | Ass. mascherina cruscotto Elux               | Assembled template panel Elux            | a                             |

|        |      |        |      |        |      |        |      |        |      |        |      |     |      |
|--------|------|--------|------|--------|------|--------|------|--------|------|--------|------|-----|------|
| PNC    | Ref. | PNC    | Ref. | PNC    | Ref. | PNC    | Ref. | PNC    | Ref. | PNC    | Ref. | PNC | Ref. |
| 727328 | a    | 728700 | b    | 727329 | c    | 728714 | d    | 110599 | e    | 110792 | f    |     |      |

| Pos        | Spare parts code | Factory code     | Descrizione                            | Description                            | Ref - Note                          |
|------------|------------------|------------------|--|--|-------------------------------------|
| 113a       | *                | 855R10300        | Ass. mascherina cruscotto Zan          | Assembled template panel Zan           | e                                   |
| 113a       | *                | 855R10400        | Ass. mascherina cruscotto Apx          | Assembled template panel Apx           | b,d                                 |
| 114        | *                | 546R20000        | Cornice mascherina cruscotto elux      | Template frame for panel Elux          | a,c                                 |
| 114        | *                | 546R20100        | Cornice mascherina cruscotto Z/Apx     | Template frame for panel Z/Apx         | b,d,e,f                             |
| 115        | *                | 855R10500        | Ass. mascherina porta Elux             | Assembled template door Elux           | a,c                                 |
| 115        | *                | 855R10600        | Ass. mascherina porta Zan              | Assembled template door Zan            | e,f                                 |
| 115        | *                | 855R10700        | Ass. mascherina porta Apx              | Assembled template door Apx            | b,d                                 |
| 116        | *                | 546R20200        | Cornice mascherina porta Elux          | Control door frame Elux                | a,c                                 |
| 116        | *                | 546R20300        | Cornice mascherina porta Z/Apx         | Control door frame Z/Apx               | b,d,e,f                             |
| *          | 093491           | 217541085        | Vite per fissaggio mascherina M3x8     | Screws M3X8 for control door/panel     |                                     |
| 117        | 092663           | 639R06800        | Connettore dritto 3 vie                | Connector 3 ways right                 |                                     |
| 117        | 092335           | 639R06900        | Connettore dritto 7 vie                | Connector 7 ways right                 |                                     |
| 117        | 099740           | 639730200        | Connettore 90° 7 vie                   | Connector 7 ways 90°                   |                                     |
| 117        | 099741           | 639735900        | Connettore 90° 5 vie                   | Connector 5 ways 90°                   |                                     |
| 117        | 088998           | 639722900        | Connettore 90° 3 vie                   | Connector 3 ways 90°                   |                                     |
| 117        | 099743           | *                | Connettore 90° 3 vie piccolo           | Connector 3 ways 90° small             |                                     |
| 117        | 099742           | 639722800        | Connettore 90° 2 vie                   | Connector 2 ways 90°                   |                                     |
| 117        | 091682           | 639R04400        | Connettore 90° 4 vie                   | Connector 4 ways 90°                   |                                     |
| 117        | 091684           | 639R405          | Connettore 90° 5 vie                   | Connector 5 ways 90°                   |                                     |
|            |                  |                  | Mod. gruppo dx bt R404A                | Cooling unit freezer dx                | c,d,f                               |
| 252        | 093422           | 684R05800        | Compressore NT2170U 220-40/50          | Compressor NT2170U 220-40/50hz         |                                     |
| 252a       | 092587           | *                | Relè avviamento                        | Start relay                            |                                     |
| 252b       | 093751           | *                | Protettore                             | Protector                              |                                     |
| 252c       | 093752           | *                | Condensatore di avviamento             | Start capacitor                        |                                     |
| 254        | 093333           | 830R04900        | Condensatore 4R-11T                    | Condenser 4R-11T                       |                                     |
| 255        | 089697           | 511708800        | Ventola 230-31 (elco)                  | Ventola 230-31(elco)                   |                                     |
| 256        | 089755           | 546709500        | Protezione ventola                     | Fan protection                         |                                     |
| 257        | 096537           | 515R13201        | Serpentina evap. acqua di conden.      | Evaporation water pipe                 |                                     |
| <b>259</b> | <b>096995</b>    | <b>682R14200</b> | <b>Ventilatore condensatore (elco)</b> | <b>Condenser fan (elco)</b>            |                                     |
| 260        | 093462           | 858R07900        | Scambiatore                            | Heat exchanger                         |                                     |
| 261        | 099949           | 805729802        | Filtro                                 | Dehidrator filter                      |                                     |
| 262        | 0A8171           | A02021800        | Valvola per compressore                | Compressor valve                       |                                     |
| 263        | 093335           | 830R04001        | Evaporatore 3R 8T                      | Evaporator 2R 8T                       |                                     |
| 264        | *                | 501R45201        | Vaschetta evaporatore                  | Evaporator tray                        |                                     |
| 264c       | 093409           | 548R07200        | Isolante per vaschetta evaporatore     | Evaporator tray insulation             |                                     |
| <b>265</b> | <b>097000</b>    | <b>682R02C00</b> | <b>Ventilatore evaporatore</b>         | <b>Evaporator fan</b>                  |                                     |
| 266        | 093326           | 501R45101        | Staffa ventilatore                     | Fan support                            |                                     |
| 268        | 093347           | 617R06200        | Resistenza con termost.                | Heating element with thermostat        | c,d,f<br>Up to 2021/37              |
| <b>268</b> |                  | <b>617R25500</b> | <b>Resistenza con termost.</b>         | <b>Heating element with thermostat</b> | <b>c,d,f</b><br><b>From 2021/38</b> |
| 270        | 093516           | 514R11200        | Molla per fissaggio resistenza         | Heating element spring                 |                                     |
| 272        | 093314           | 501R44801        | Convogliatore evaporat.                | Evaporator conveyor                    |                                     |
| 277        | 093263           | 546R19702        | Tamponcino per tubi                    | Pipe cover insulation                  |                                     |