

## SKYLINE GAS OVEN FORNO GAS SKYLINE

Type Reference	Ref	Page	Description	note
COG61C20	a		6 grids GN 1/1 - touch convect - double glass - Standard	
COG61C30	b		6 grids GN 1/1 - touch convect - triple glass - Standard	
COG61D20	c		6 grids GN 1/1 - digital steam - double glass - Standard	
COG61T20	d		6 grids GN 1/1 - touch steam - double glass - Standard	
COG61T30	e		6 grids GN 1/1 - touch steam - triple glass - Standard	
COG61V20	f		6 grids GN 1/1 - digital convect - double glass - Standard	
COG62C20	g		6 grids GN 2/1 - touch convect - double glass - Standard	
COG62C30	h		6 grids GN 2/1 - touch convect - triple glass - Standard	
COG62D20	i		6 grids GN 2/1 - digital steam - double glass - Standard	
COG62T20	j		6 grids GN 2/1 - touch steam - double glass - Standard	
COG62T30	k		6 grids GN 2/1 - touch steam - triple glass - Standard	
COG62V20	l		6 grids GN 2/1 - digital convect - double glass - Standard	
COG11C20	m		10 grids GN 1/1 - touch convect - double glass - Standard	
COG11C30	n		10 grids GN 1/1 - touch convect - triple glass - Standard	
COG11D20	o		10 grids GN 1/1 - digital steam - double glass - Standard	
COG11T20	p		10 grids GN 1/1 - touch steam - double glass - Standard	
COG11T30	q		10 grids GN 1/1 - touch steam - triple glass - Standard	
COG11V20	r		10 grids GN 1/1 - digital convect - double glass - Standard	
COG12C20	s		10 grids GN 2/1 - touch convect - double glass - Standard	
COG12C30	t		10 grids GN 2/1 - touch convect - triple glass - Standard	
COG12D20	u		10 grids GN 2/1 - digital steam - double glass - Standard	
COG12T20	v		10 grids GN 2/1 - touch steam - double glass - Standard	
COG12T30	w		10 grids GN 2/1 - touch steam - triple glass - Standard	
COG12V20	x		10 grids GN 2/1 - digital convect - double glass - Standard	

### Index

Description Type Reference/Descrizione Type Reference	Page
Oven cabinet and door/Cella forno e porta	2
Electrical components/Componenti elettrici	3
Water system/Impianto idraulico	4
Boiler	5
Preventive Maintenance KIT	6
Nozzles tables/Tabelle ugelli	7
Spare parts list / Lista ricambi	8
Maintenance Kit list / Lista KIT di manutenzione	9-25
<b>Bold=last change / Grassetto =ultima modifica</b>	26-29

### Page

V = Vital spare part/Ricambio vitale
W&T = Wear&Tear and Consumable/ Ricambio usurabile e consumabile
S = Suggested/Ricambio suggerito

Rev. 13

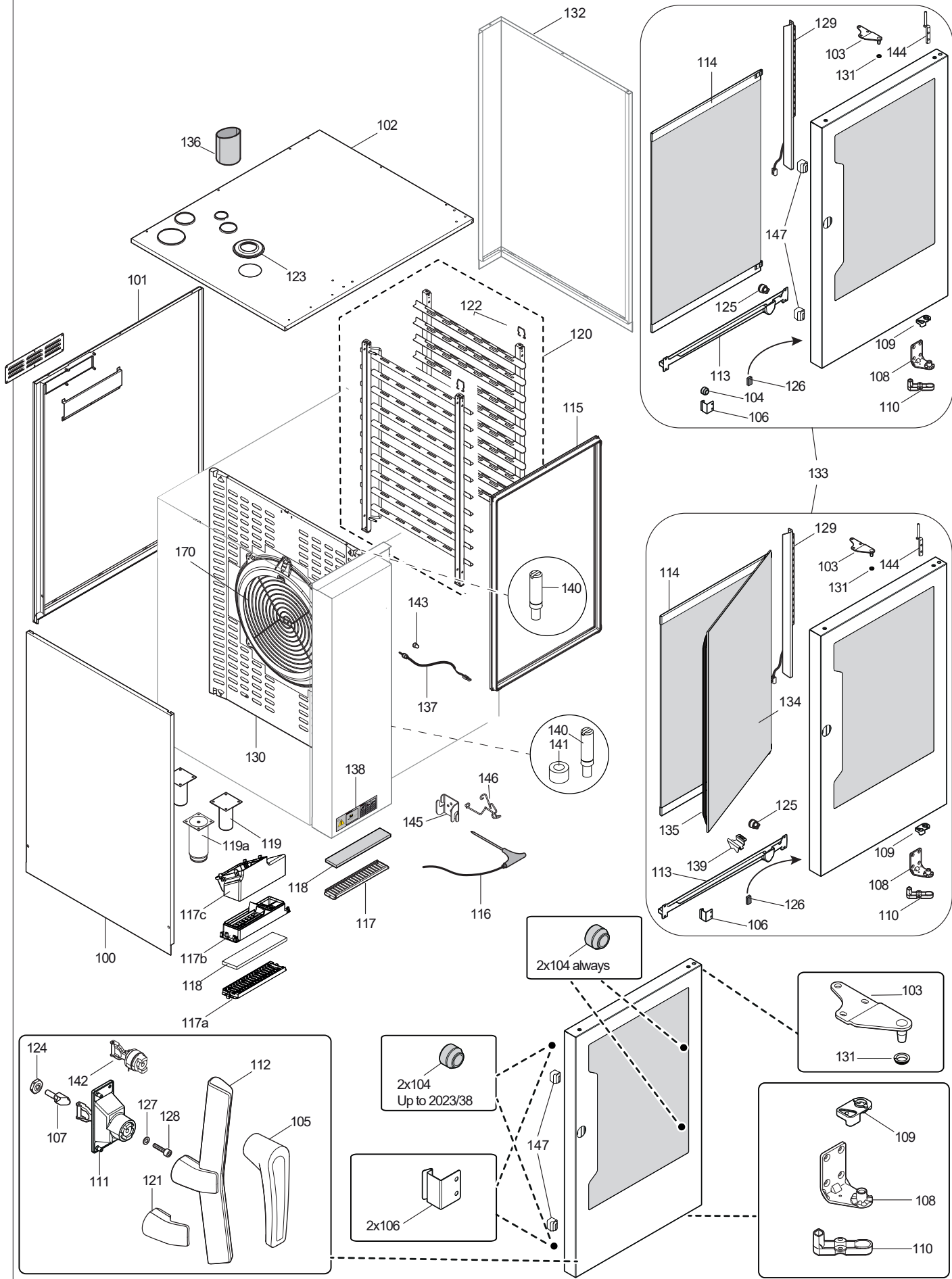
COG \* \* \*

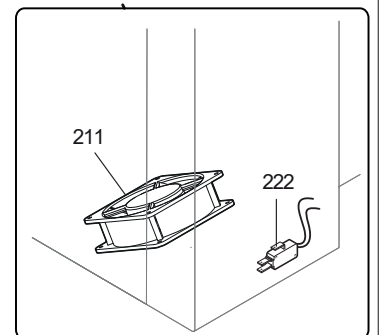
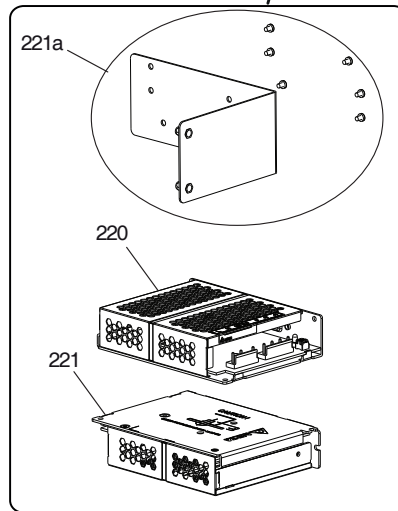
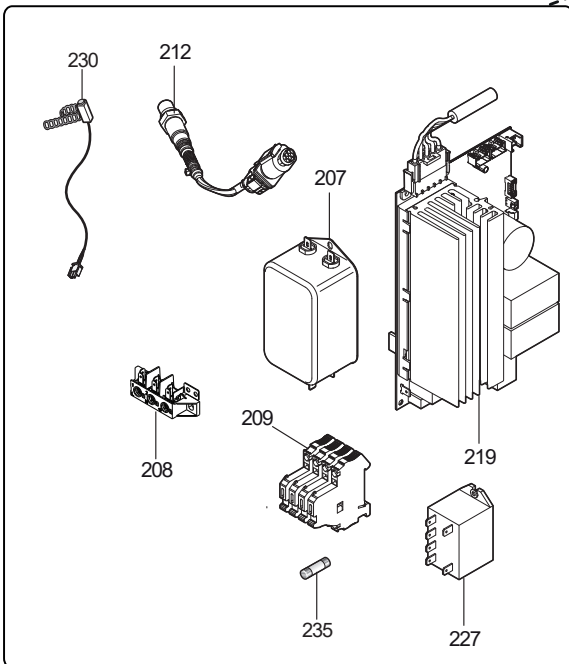
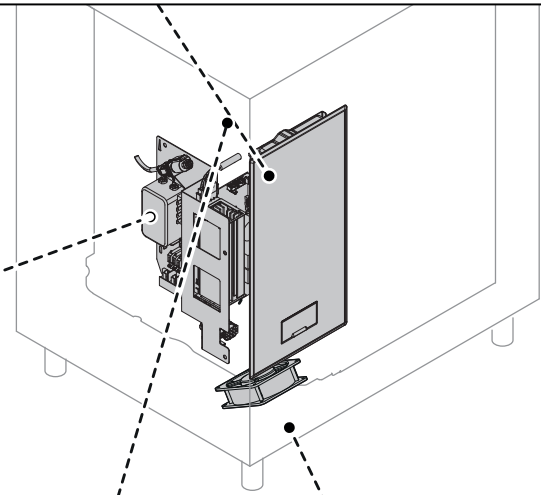
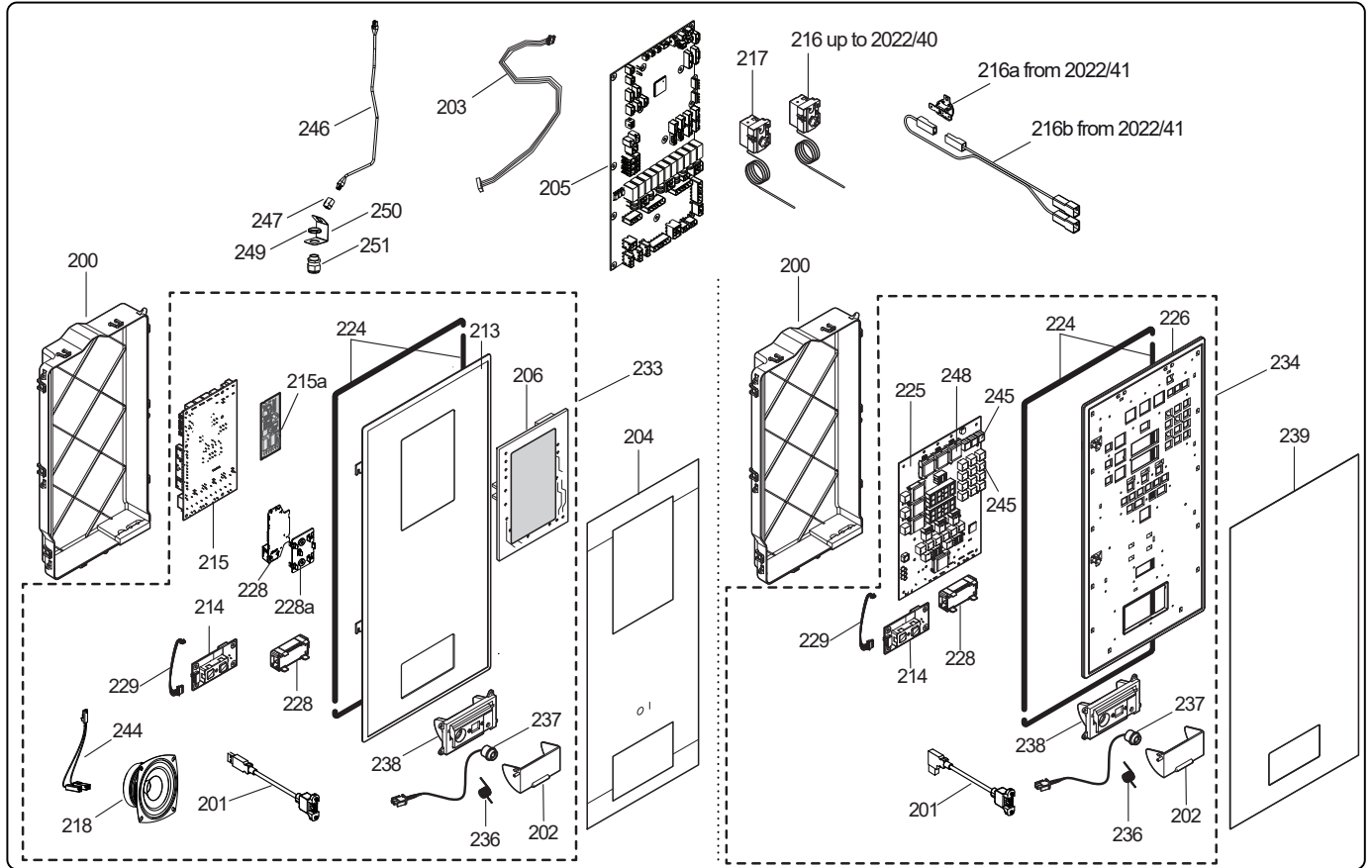
K = Smoker/Aromatizer  
0 = Standard

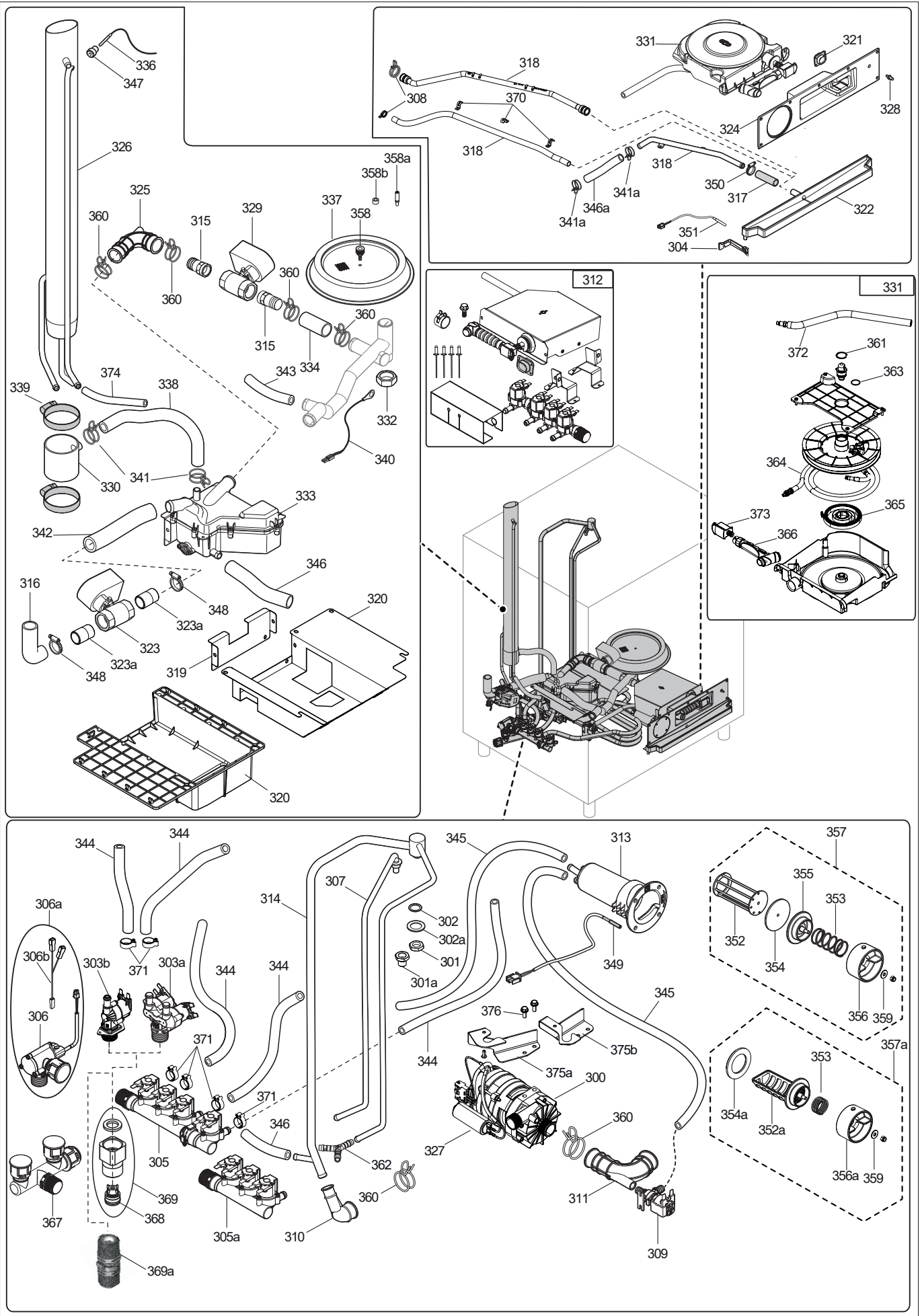
T2 = touch steam - double glass  
T3 = touch steam - triple glass  
C2 = touch convect – double glass  
C3 = touch convect – triple glass  
D2 = digital steam – double glass  
D3 = digital steam – triple glass  
V2 = digital convect – double glass  
V3 = digital convect – triple glass

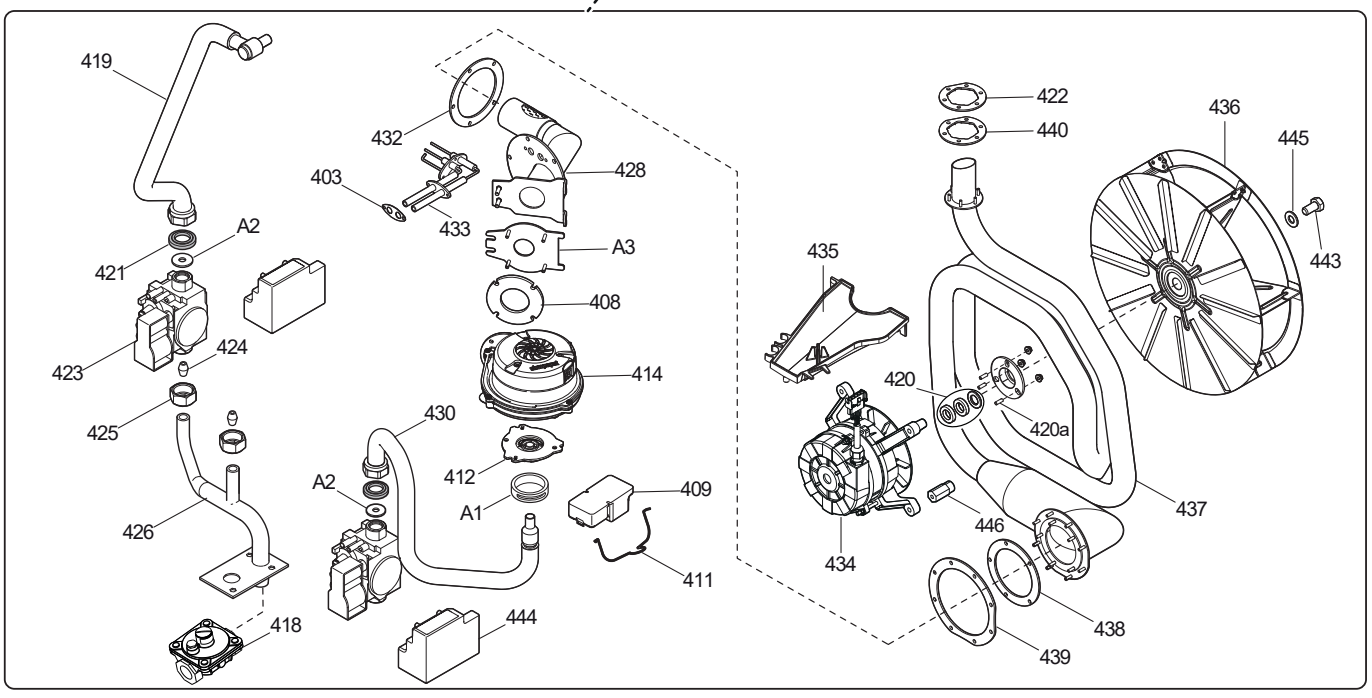
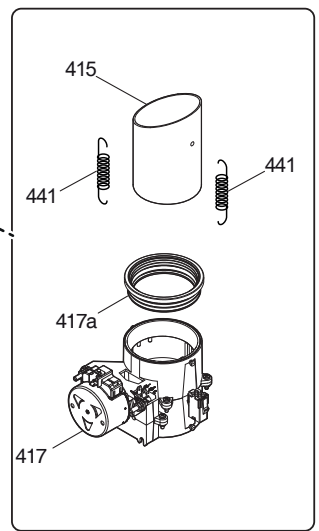
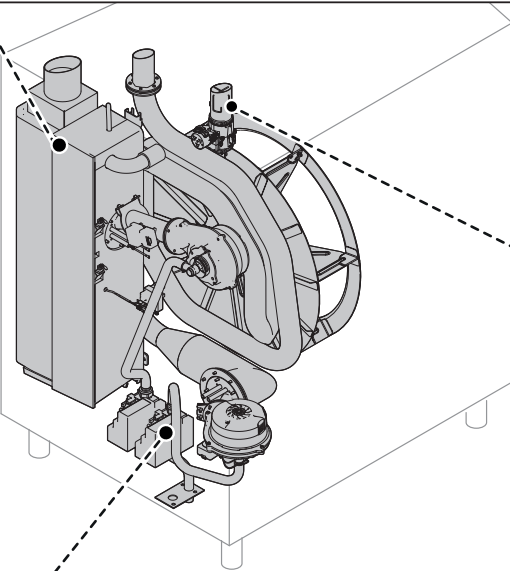
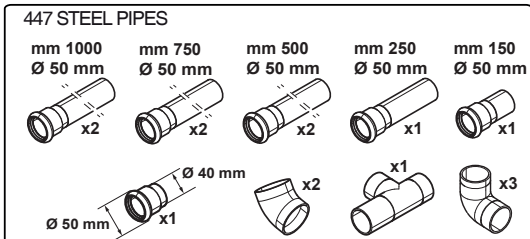
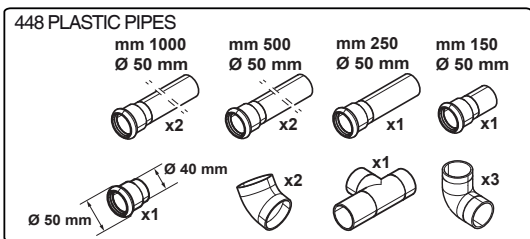
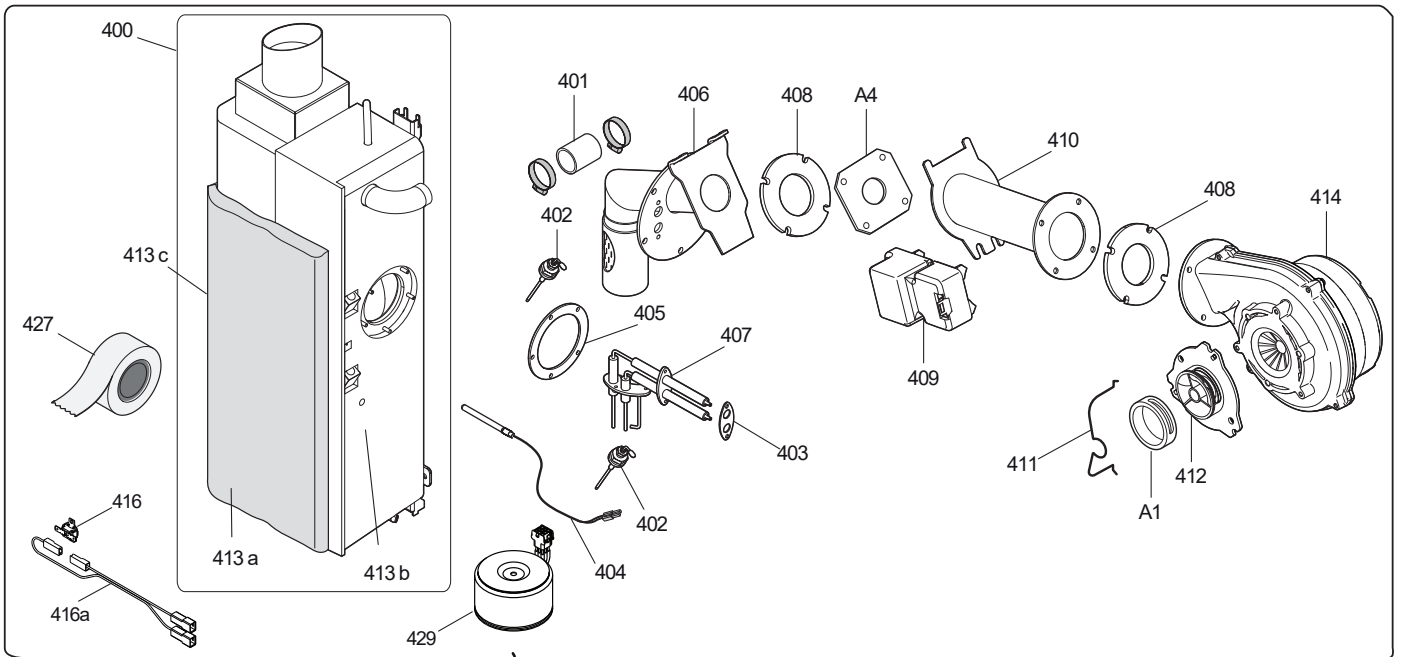
61 = 6 grids GN1/1  
62 = 6 grids GN2/1  
11 = 10 grids GN1/1  
12 = 10 grids GN2/1  
21 = 20 grids GN1/1  
22 = 20 grids G21/1

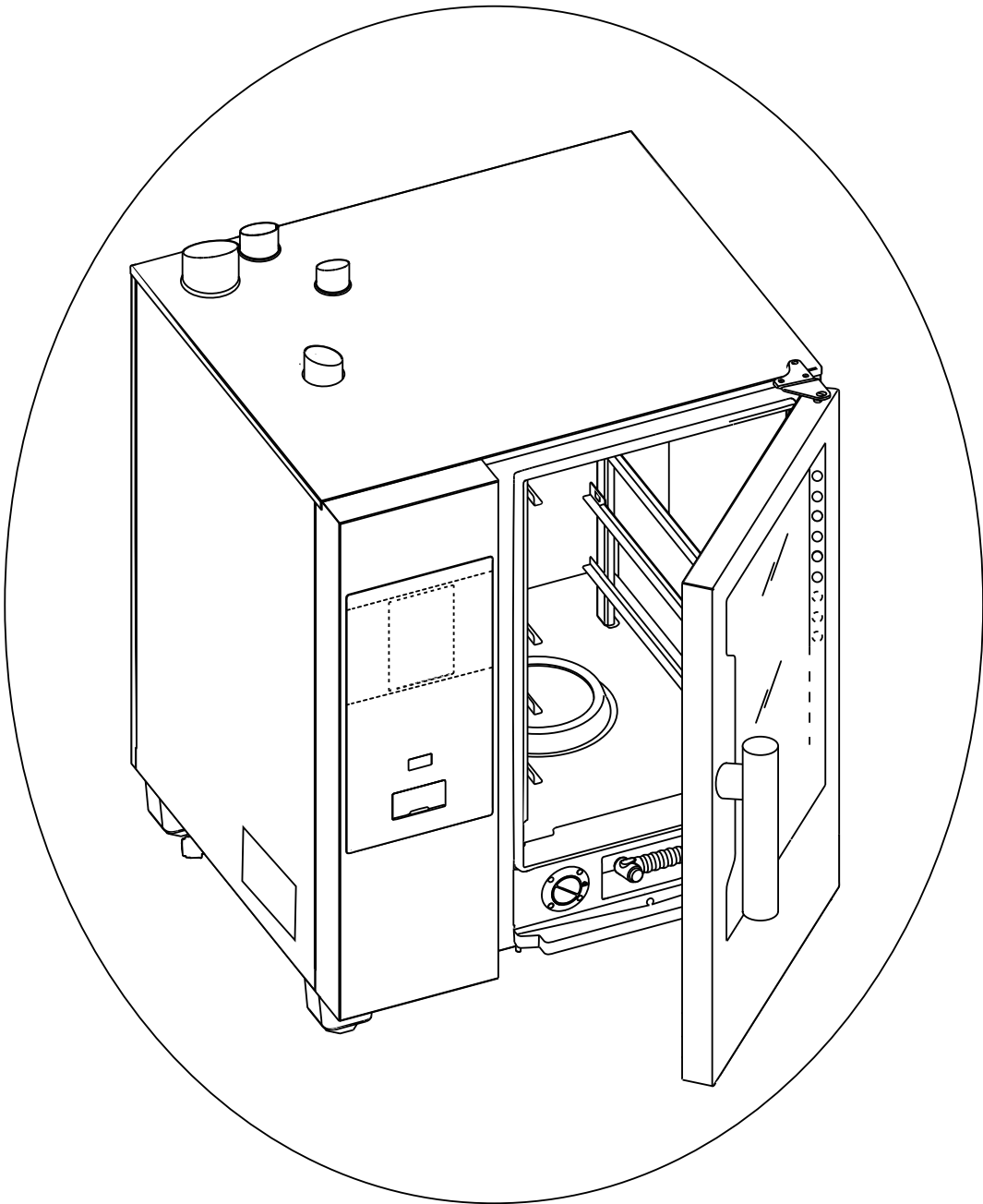
COG = Combi Oven Gas











- PPM1
- PPM2
- PPM3
- PPM4
- PPM5
- PPM6
- PPM7
- PPM8
- PPM9
- PPM10
- PPM11
- PPM12
- PPM13
- PPM14
- PPM15
- PPM16
- PPM17
- PPM18
- PPM19
- PPM20
- PPM21
- PPM21
- PPM22
- PPM23
- PPM24

6 GN 1/1						
	AERATORE/AERATOR		DIAFRAMMA/DIAPHRAGM		FLANGIA/FLANGE	
GAS	A1 - CELLA/CAVITY	A1 - BOILER	A2 - CELLA/CAVITY	A2 - BOILER	A3 - CELLA/CAVITY	A4 - BOILER
G20	(BIANCO/WHITE)	(BIANCO/WHITE)	0CK054(ø 4,70)	0CK054(ø 4,70)	(ø 14)	(ø 14)
G25	(BIANCO/WHITE)	(BIANCO/WHITE)	0C1162 (ø 5,30)	0CK057 (ø 5,20)	(ø 14)	(ø 14)
G25.1	(BIANCO/WHITE)	(BIANCO/WHITE)	0C2442 (ø 5,50)	0CK059 (ø 5,40)	(ø 14)	(ø 14)
G25.3	(BIANCO/WHITE)	(BIANCO/WHITE)	0C1162 (ø 5,30)	0CK057 (ø 5,20)	(ø 14)	(ø 14)
G30	(BIANCO/WHITE)	(BIANCO/WHITE)	0CK049 (ø 3,80)	0CK049 (ø 3,80)	(ø 14)	(ø 14)
G31/LPG	(BIANCO/WHITE)	(BIANCO/WHITE)	0CK407 (ø 4,05)	0CK050 (ø 3,95)	(ø 14)	(ø 14)
6 GN 2/1						
	AERATORE/AERATOR		DIAFRAMMA/DIAPHRAGM		FLANGIA/FLANGE	
GAS	A1 - CELLA/CAVITY	A1 - BOILER	A2 - CELLA/CAVITY	A2 - BOILER	A3 - CELLA/CAVITY	A4 - BOILER
G20	(ARANCIO/ORANGE)	(GIALLA/YELLOW)	0C2442 (ø 5,50)	0CK060 (ø 5,45)	(ø 22)	(ø 15)
G25	(ARANCIO/ORANGE)	(GIALLA/YELLOW)	0CK063 (ø 6,30)	0CK062 (ø 6,10)	(ø 22)	(ø 15)
G25.1	(ARANCIO/ORANGE)	(GIALLA/YELLOW)	0CK064 (ø 6,60)	0C1161 (ø 6,50)	(ø 22)	(ø 15)
G25.3	(ARANCIO/ORANGE)	(GIALLA/YELLOW)	0CK063 (ø 6,30)	0CK062 (ø 6,10)	(ø 22)	(ø 15)
G30	(ARANCIO/ORANGE)	(GIALLA/YELLOW)	0CK052 (ø 4,40)	0CK051 (ø 4,25)	(ø 22)	(ø 15)
G31/LPG	(ARANCIO/ORANGE)	(GIALLA/YELLOW)	0CK053 (ø 4,60)	0CK053 (ø 4,60)	(ø 22)	(ø 15)
10 GN 1/1						
	AERATORE/AERATOR		DIAFRAMMA/DIAPHRAGM		FLANGIA/FLANGE	
GAS	A1 - CELLA/CAVITY	A1 - BOILER	A2 - CELLA/CAVITY	A2 - BOILER	A3 - CELLA/CAVITY	A4 - BOILER
G20	<b>0CK526</b> (BIANCO/WHITE)	0C4630 (FUCCIA/FUCHSIA)	0C4384 (ø 4,75)	0CK061 (ø 6,05)	(ø 21)	(ø 21)
G25	<b>0CK526</b> (BIANCO/WHITE)	0C4630 (FUCCIA/FUCHSIA)	0CK058 (ø 5,35)	0CK065 (ø 6,80)	(ø 21)	(ø 21)
G25.1	<b>0CK526</b> (BIANCO/WHITE)	0C4630 (FUCCIA/FUCHSIA)	<b>0CK529 (ø 5,55)</b>	0C9507(ø 7,25)	(ø 21)	(ø 21)
G25.3	<b>0CK526</b> (BIANCO/WHITE)	0C4630 (FUCCIA/FUCHSIA)	0CK057 (ø 5,20)	<b>0CK530 (ø 6,85)</b>	(ø 21)	(ø 21)
G30	<b>0CK526</b> (BIANCO/WHITE)	0C4630 (FUCCIA/FUCHSIA)	0CK048(ø 3,75)	0C4384 (ø 4,75)	(ø 21)	(ø 21)
G31/LPG	<b>0CK526</b> (BIANCO/WHITE)	0C4630 (FUCCIA/FUCHSIA)	0CK050 (ø 3,95)	0CK056 (ø 5,15)	(ø 21)	(ø 21)
10 GN 2/1						
	AERATORE/AERATOR		DIAFRAMMA/DIAPHRAGM		FLANGIA/FLANGE	
GAS	A1 - CELLA/CAVITY	A1 - BOILER	A2 - CELLA/CAVITY	A2 - BOILER	A3 - CELLA/CAVITY	A4 - BOILER
G20	0C1045 (ROSSA/RED)	0C4630 (FUCCIA/FUCHSIA)	0CK064 (ø 6,60)	0CK063 (ø 6,30)	<b>0CK9CX (ø 26)</b>	(ø 23)
G25	0C1045 (ROSSA/RED)	0C4630 (FUCCIA/FUCHSIA)	0CK069 (ø 7,60)	0CK067 (ø 7,20)	<b>0CK9CX (ø 26)</b>	(ø 23)
G25.1	0C1045 (ROSSA/RED)	0C4630 (FUCCIA/FUCHSIA)	<b>0CK533 (ø 7,90)</b>	0C2444 (ø 7,50)	<b>0CK9CX (ø 26)</b>	(ø 23)
G25.3	0C1045 (ROSSA/RED)	0C4630 (FUCCIA/FUCHSIA)	0CK068(ø 7,40)	0CK066 (ø 7,10)	<b>0CK9CX (ø 26)</b>	(ø 23)
G30	0C1045 (ROSSA/RED)	0C4630 (FUCCIA/FUCHSIA)	0C4385 (ø 5,00)	0CK055 (ø 4,80)	<b>0CK9CX (ø 26)</b>	(ø 23)
G31/LPG	0C1045 (ROSSA/RED)	0C4630 (FUCCIA/FUCHSIA)	0C2442 (ø 5,50)	0CK057 (ø 5,20)	<b>0CK9CX (ø 26)</b>	(ø 23)

SKYLINE							
Pos	Spare part Code	Factory code	Descrizione	Description	V	W & T	Ref./Notes
100	0CK103	503404P02	FIANCO SINISTRO 6 1/1	LEFT PANEL 6 1/1			a;b;c;d;e,f Up to 2010/12
100	0CK591	503404P04	FIANCO SINISTRO 6 1/1	LEFT PANEL 6 1/1			a;b;c;d;e,f From 2020/13
100	0CK102	503404Q02	FIANCO SINISTRO 10 1/1	LEFT PANEL 10 1/1			m;n;o;p;q;r Up to 2010/12
100	0CK594	503404Q04	FIANCO SINISTRO 10 1/1	LEFT PANEL 10 1/1			m;n;o;p;q;r From 2020/13
100	0CK104	503405A03	FIANCO SINISTRO 6 2/1	LEFT PANEL 6 2/1			g;h;i;j;k;l
100	0CK227	503405B03	FIANCO SINISTRO 10 2/1	LEFT PANEL 10 2/1			s;t;u;v;w;x
101	0CK293	503404R03	SCHIENALE FORNO 6 1/1	BACK PANEL 6 1/1			a;b;c;d;e,f Up to 2010/12
101	0CK595	503404R04	SCHIENALE FORNO 6 1/1	BACK PANEL 6 1/1			a;b;c;d;e,f From 2020/13 Up to 2021/16
101	0CK695	50340BA00	SCHIENALE FORNO 6 1/1	BACK PANEL 6 1/1			a;b;c;d;e,f From 2021/17
101	0CK294	503404S03	SCHIENALE FORNO 10 1/1	BACK PANEL 10 1/1			m;n;o;p;q;r Up to 2010/12
101	0CK596	503404S04	SCHIENALE FORNO 10 1/1	BACK PANEL 10 1/1			m;n;o;p;q;r From 2020/13 Up to 2021/16
101	0CK693	50340B800	SCHIENALE FORNO 10 1/1	BACK PANEL 10 1/1			m;n;o;p;q;r From 2021/17
101	0CK295	503405604	SCHIENALE FORNO 6 2/1	BACK PANEL 6 2/1			g;h;i;j;k;l Up to 2021/16
101	0CK697	50340BF00	SCHIENALE FORNO 6 2/1	BACK PANEL 6 2/1			g;h;i;j;k;l From 2021/17
101	0CK296	503405704	SCHIENALE FORNO 10 2/1	BACK PANEL 10 2/1			s;t;u;v;w;x Up to 2021/16
101	0CK699	50340BH00	SCHIENALE FORNO 10 2/1	BACK PANEL 10 2/1			s;t;u;v;w;x From 2021/17
102	0CK094	503404D03	COPERCHIO FORNO CONVEZ. 6 1/1	TOP PANEL CONVECT 6 1/1			a;b,f
102	0CK092	503405N02	COPERCHIO FORNO CONVEZ 10 1/1	TOP PANEL CONVECT 10 1/1			m;n,r
102	0CK090	503405P02	COPERCHIO FORNO COMBI 6 1/1	TOP PANEL COMBI 6 1/1			c;d,e
102	0CK088	503405Q02	COPERCHIO FORNO COMBI 10 1/1	TOP PANEL COMBI 10 1/1			o;p;q
102	0CK095	503405F02	COPERCHIO FORNO CONVEZ 6 2/1	TOP PANEL CONVECT 6 2/1			g;h,l
102	0CK093	503405R01	COPERCHIO FORNO CONVEZ 10 2/1	TOP PANEL CONVECT 10 2/1			s;t,x
102	0CK091	503405S02	COPERCHIO FORNO COMBI 6 2/1	TOP PANEL COMBI 6 2/1			i;j,k
102	0CK089	503405T02	COPERCHIO FORNO COMBI 10 2/1	TOP PANEL COMBI 10 2/1			u;v,w
103	0C4234	806847803	CERNIERA SUPERIORE	UPPER HINGE	X	X	RIGHT HINGED
103	*	80540DX00	CERNIERA SUPERIORE PORTA REV	UPPER HINGE FOR REVERSE DOOR	X	X	LEFT HINGED
104	0CK071	543401S03	AMMORTIZZATORE VETRO INTERNO	INNER GLASS DUMPER		X	a;c;d;f;g;i;j;l; m;o;p;r;s;u;v;x
105	0CK319	830409802	MANIGLIA PORTA	DOOR HANDLE	X		
106	0CK148	50440CX02	MOLLA FERMAVETRO	INNER GLASS STOPPER		X	
107	0C4092	806859903	NASELLO CHIUSURA 1-STEP	SINGLE STEP DOOR LATCH	X	X	
108	0CK086	510400102	CERNIERA INFERIORE PORTA	LOWER HINGE	X	X	RIGHT HINGED
108	*	800401Y00	CERNIERA INFERIORE PORTA REV	LOWER HINGE FOR REVERSE DOOR	X	X	LEFT HINGED
109	0CK158	511400N01	POSIZIONAT. INF.CON FERMO-PORTA	DOOR POSITIONER WITH STOPPER		X	RIGHT HINGED
109	0CK354	511400R00	POSIZIONAT. INF.CON FERMO-PORTA	DOOR POSITIONER WITH STOPPER		X	LEFT HINGED
110	0CK160	541401R00	PROTEZIONE CAVETTI LED	LED WIRING PROTECTION			
111	0CK143	835403C00	MECCANISMO CHIUSURA PORTA	CLOSING MECHANISM	X	X	
112	0CK297	548401U02	MANIGLIA PORTA	DOOR HANDLE	X		ELECTROLUX Up to 2021/16
112	0CK666	548401U03	MANIGLIA PORTA	DOOR HANDLE	X		ELECTROLUX From 2021/17

SKYLINE							
Pos	Spare part Code	Factory code	Descrizione	Description	V	W & T	Ref./Notes
113	0CK205	549400W01	VASCETTA GN 1/1	FRONT DRIP TRAY GN 1/1			a;b;c;d;e;f;m;n o;p;q;r
113	0CK204	549400X01	VASCETTA GN 2/1	FRONT DRIP TRAY GN 2/1			g;h;i;j;k;l;s;t;u v;w;x
114	0CK239	879402801	ASSIEME VETRO INTERNO 6 1/1	INNER GLASS ASSEMBLY 6 1/1	X	X	a;b;c;d;e;f
114	0CK081	879402901	ASSIEME VETRO INTERNO 10 1/1	INNER GLASS ASSEMBLY 10 1/1	X	X	m;n;o;p;q;r
114	0CK238	879402A01	ASSIEME VETRO INTERNO 6 2/1	INNER GLASS ASSEMBLY 6 2/1	X	X	g;h;i;j;k;l
114	0CK240	879402B01	ASSIEME VETRO INTERNO 10 2/1	INNER GLASS ASSEMBLY 10 2/1	X	X	s;t;u;v;w;x
115	<b>0CK9CY</b>	<b>543404000</b>	<b>GUARNIZIONE CELLA-PORTA 6 1/1</b>	<b>DOOR GASKET 6 1/1</b>	<b>X</b>	<b>X</b>	<b>a;b;c;d;e;f</b> <b>See TB</b> <b>PDD2024_08</b>
115	<b>0CK9D0</b>	<b>543404200</b>	<b>GUARNIZIONE CELLA-PORTA 10 1/1</b>	<b>DOOR GASKET 10 1/1</b>	<b>X</b>	<b>X</b>	<b>m;n;o;p;q;r</b> <b>See TB</b> <b>PDD2024_08</b>
115	<b>0CK9CZ</b>	<b>543404100</b>	<b>GUARNIZIONE CELLA-PORTA 6 2/1</b>	<b>DOOR GASKET 6 2/1</b>	<b>X</b>	<b>X</b>	<b>g;h;i;j;k;l</b> <b>See TB</b> <b>PDD2024_08</b>
115	<b>0CK9D1</b>	<b>543404300</b>	<b>GUARNIZIONE CELLA-PORTA 10 2/1</b>	<b>DOOR GASKET 10 2/1</b>	<b>X</b>	<b>X</b>	<b>s;t;u;v;w;x</b> <b>See TB</b> <b>PDD2024_08</b>
116	0CK171	83040BW04	SPILLONE MULTIPOINT 10 1/1 – 10 2/1	FOOD PROBE MULTIPOINT 10 GRIDS		X	m;n;o;p;q;r;s;t; u;v;w;x
116	0CK172	83040CX03	SPILLONE MULTIPOINT 6 1/1 – 6 2/1	FOOD PROBE MULTIPOINT 6 GRIDS		X	a;b;c;d;e;f;g;h; i;j;k;l
116	0CK173	83040BV03	SPILLONE SINGLE POINT 10 1/1 – 10 2/1	FOOD PROBE SINGLE POINT 10 GRIDS		X	m;n;o;p;q;r;s;t; u;v;w;x
116	0CK174	83040CY03	SPILLONE SINGLE POINT 6 1/1 – 6 2/1	FOOD PROBE SINGLE POINT 6 GRIDS		X	a;b;c;d;e;f;g;h; i;j;k;l
117	0CK176	503407301	SUPPORTO FILTRO	FILTER SUPPORT			Up to 2022/10
117a	0CK86X	541403400	PORTAFILTRO	FILTER SUPPORT			From 2022/11
117b	0CK86Y	541403500	SCATOLA INFERIORE PORTA FILTRO	LOWER BOX FILTER SUPPORT			From 2022/11
117c	0CK86Z	541403600	SCATOLA SUPERIORE PORTA FILTRO	UPPER BOX FILTER SUPPORT			g;h;i;j;k;l;m;n;o; p;q;r;s;t;u;v;w;x From 2022/11
117c	0CK870	541403700	SCATOLA SUPERIORE PORTA FILTRO	UPPER BOX FILTER SUPPORT			a;b;c;d;e;f From 2022/11
118	0CK226	549400U02	FILTRO ARIA	AIR FILTER		X	Up to 2022/10
118	0CK875	0549401J00	FILTRO ARIA	AIR FILTER		X	From 2022/11
119	0CK154	875403K00	PIEDE DI SERVIZIO INOX	SERVICE FOOT INOX			
119a	0CK015	85540CY00	PIEDE REGOLABILE, KIT DI SOVRAPPON- SIZIONE	ADJUSTABLE FOOT, STACKING KIT			
120	0CK076	870401W04	ASSIEME PORTATEGLIE 6 1/1	TRAY RACK 6 1/1			a;b;c;d;e;f
120	0CK241	870401Y04	ASSIEME PORTATEGLIE 10 1/1	TRAY RACK 10 1/1			m;n;o;p;q;r
120	0CK078	870401X04	ASSIEME PORTATEGLIE 6 2/1	TRAY RACK 6 2/1			g;h;i;j;k;l
120	0CK077	870401Z04	ASSIEME PORTATEGLIE 10 2/1	TRAY RACK 10 2/1			s;t;u;v;w;x
120	0CBAEL	875404P01	ASSIEME PORTATEGLIE 6 1/1	TRAY RACK 6 1/1			a;b;c;d;e;f BAKERY Up to 2022/40
120	0CBAWT	875404P02	ASSIEME PORTATEGLIE 6 1/1	TRAY RACK 6 1/1			a;b;c;d;e;f BAKERY From 2022/41
120	*	875404Q01	ASSIEME PORTATEGLIE 10 1/1	TRAY RACK 10 1/1			m;n;o;p;q;r BAKERY Up to 2022/40
120	*	875404Q02	ASSIEME PORTATEGLIE 10 1/1	TRAY RACK 10 1/1			m;n;o;p;q;r BAKERY From 2022/41
120	0CK552	0870402M02	ASSIEME PORTATEGLIE 6 1/1 MARINE	MARINE TRAY RACK 6 1/1			a;b;c;d;e;f MARINE

SKYLINE							
Pos	Spare part Code	Factory code	Descrizione	Description	V	W & T	Ref./Notes
120	0CK551	0870402L02	ASSIEME PORTATEGLIE 10 1/1 MARINE	MARINE TRAY RACK 10 1/1			m;n;o;p;q;r MARINE
120	0CK553	0870402N02	ASSIEME PORTATEGLIE 6 2/1 MARINE	MARINE TRAY RACK 6 2/1			g;h;i;j;k;l MARINE
120	0CK554	0870402P02	ASSIEME PORTATEGLIE 10 2/1 MARINE	MARINE TRAY RACK 10 2/1			s;t;u;v;w;x MARINE
121	0CK331	548402700	COPERCHIETTO MANIGLIA ELUX	ELUX HANDLE COVER		X	ELECTROLUX Up to 2021/16
121	0CK667	548402701	COPERCHIETTO MANIGLIA ELUX	ELUX HANDLE COVER		X	ELECTROLUX From 2021/17
122	0CK220	500406801	MOLLETTA FERMATEGLIE	SPRING STOPPER		X	
123	0CK114	543402500	GUARNIZIONE ASPIRAZIONE ARIA	AIR INLET GASKET		X	
124	0CA756	516896402	DADO NASELLO	DOOR LATCH NUT	X	X	
125	0CK195	549401800	VALVOLA SCARICO VASCHETTA	CHECK VALVE		X	
126	0CBAP3	0549802700	MAGNETE IN NEODIMIO 20X5X10	NEODYMIUM MAGNET 20X5X10			
127	0E1331	206004105	ROSETTA	WASHER		X	
<b>128</b>	<b>0CBCV1</b>	<b>217034405</b>	<b>VITE M6X40</b>	<b>SCREW M6X40</b>		<b>X</b>	
129	0CK082	805407P02	BARRA LED	LED BAR		X	
130	0CK152	878403604	PARETE DI ASPIRAZIONE 6 1/1	SUCTION WALL 6 1/1			a;b;c;d;e;f Up to 2021/16
130	0CK733	878403605	PARETE DI ASPIRAZIONE 6 1/1	SUCTION WALL 6 1/1			a;b;c;d;e;f From 2021/17
130	*	878407A01	PARETE DI ASPIRAZIONE 6 1/1	SUCTION WALL 6 1/1			a;b;c;d;e;f BAKERY Up to 2021/16
130	0CK751	878407A02	PARETE DI ASPIRAZIONE 6 1/1	SUCTION WALL 6 1/1			a;b;c;d;e;f BAKERY From 2021/17
130	0CK336	878407302	PARETE DI ASPIRAZIONE 10 1/1	SUCTION WALL 10 1/1			m;n;o;p;q;r Up to 2021/16
130	0CK740	878407303	PARETE DI ASPIRAZIONE 10 1/1	SUCTION WALL 10 1/1			m;n;o;p;q;r From 2021/17
130	*	878407C01	PARETE DI ASPIRAZIONE 10 1/1	SUCTION WALL 10 1/1			m;n;o;p;q;r BAKERY Up to 2021/16
130	0CK753	878407C02	PARETE DI ASPIRAZIONE 10 1/1	SUCTION WALL 10 1/1			m;n;o;p;q;r BAKERY From 2021/17
130	0CK337	878407402	PARETE DI ASPIRAZIONE 6 2/1	SUCTION WALL 6 2/1			g;h;i;j;k;l Up to 2021/16
130	0CK741	878407403	PARETE DI ASPIRAZIONE 6 2/1	SUCTION WALL 6 2/1			g;h;i;j;k;l From 2021/17
130	0CK151	878403804	PARETE DI ASPIRAZIONE 10 2/1	SUCTION WALL 10 2/1			s;t;u;v;w;x Up to 2021/16
130	0CK736	878403805	PARETE DI ASPIRAZIONE 10 2/1	SUCTION WALL 10 2/1			s;t;u;v;w;x From 2021/17
131	0CK323	04P0187700	BOCCOLA IGUS 'IGLIDUR MCM-12-02'	BUSH IGUS 'IGLIDUR MCM-12-02'		X	
132	0CK703	050340BC01	FIANCO DESTRO	RIGHT SIDE PANEL			a;b;c;d;e;f
132	0CK701	050340BK01	FIANCO DESTRO	RIGHT SIDE PANEL			g;h;i;j;k;l
132	0CK704	050340BD01	FIANCO DESTRO	RIGHT SIDE PANEL			m;n;o;p;q;r
132	0CK702	050340BL01	FIANCO DESTRO	RIGHT SIDE PANEL			s;t;u;v;w;x
133	0CK433	083040MQ06	KIT PORTA INCERNIERATA A DESTRA 061 ELUX 2 VETRI	RIGHT HINGED DOOR KIT 2 GLASSES 6/1			a;c;d,f - ELUX
133	0CK445	083040N206	KIT PORTA INCERNIERATA A DESTRA 061 ZAN 2 VETRI	RIGHT HINGED DOOR KIT 2 GLASSES 6/1			a;c;d,f - ZAN
133	0CK457	083040NF06	KIT PORTA INCERNIERATA A DESTRA 061 TO BRAND 2 VETRI	RIGHT HINGED DOOR KIT 2 GLASSES 6/1			a;c;d,f - TO BRAND
133	0CK434	083040MR06	KIT PORTA INCERNIERATA A DESTRA 061 ELUX 3 VETRI	RIGHT HINGED DOOR KIT 3 GLASSES 6/1			b,e - ELUX

SKYLINE							
Pos	Spare part Code	Factory code	Descrizione	Description	V	W & T	Ref./Notes
133	0CK446	083040N306	KIT PORTA INCERNIERATA A DESTRA 061 ZAN 3 VETRI	RIGHT HINGED DOOR KIT 3 GLASSES 6/1			b;e - ZAN
133	0CK458	083040NG06	KIT PORTA INCERNIERATA A DESTRA 061 TO BRAND 3 VETRI	RIGHT HINGED DOOR KIT 3 GLASSES 6/1			b;e - TO BRAND
133	0CK435	083040MS06	KIT PORTA INCERNIERATA A DESTRA 062 ELUX 2 VETRI	RIGHT HINGED DOOR KIT 2 GLASSES 6/2			g;i;j;l - ELUX
133	0CK447	083040N406	KIT PORTA INCERNIERATA A DESTRA 062 ZAN 2 VETRI	RIGHT HINGED DOOR KIT 2 GLASSES 6/2			g;i;j;l - ZAN
133	0CK459	083040NH06	KIT PORTA INCERNIERATA A DESTRA 062 TO BRAND 2 VETRI	RIGHT HINGED DOOR KIT 2 GLASSES 6/2			g;i;j;l - TO BRAND
133	0CK436	083040MT06	KIT PORTA INCERNIERATA A DESTRA 062 ELUX 3 VETRI	RIGHT HINGED DOOR KIT 3 GLASSES 6/2			h;k - ELUX
133	0CK448	083040N506	KIT PORTA INCERNIERATA A DESTRA 062 ZAN 3 VETRI	RIGHT HINGED DOOR KIT 3 GLASSES 6/2			h;k - ZAN
133	0CK460	083040NJ06	KIT PORTA INCERNIERATA A DESTRA 062 TO BRAND 3 VETRI	RIGHT HINGED DOOR KIT 3 GLASSES 6/2			h;k - TO BRAND
133	0CK437	083040MU06	KIT PORTA INCERNIERATA A DESTRA 101 ELUX 2 VETRI	RIGHT HINGED DOOR KIT 2 GLASSES 10/1			m;o;p;r - ELUX
133	0CK449	083040N606	KIT PORTA INCERNIERATA A DESTRA 101 ZAN 2 VETRI	RIGHT HINGED DOOR KIT 2 GLASSES 10/1			m;o;p;r - ZAN
133	0CK461	083040NK06	KIT PORTA INCERNIERATA A DESTRA 101 TO BRAND 2 VETRI	RIGHT HINGED DOOR KIT 2 GLASSES 10/1			m;o;p;r - TO BRAND
133	0CK438	083040MV06	KIT PORTA INCERNIERATA A DESTRA 101 ELUX 3 VETRI	RIGHT HINGED DOOR KIT 3 GLASSES 10/1			n;q - ELUX
133	0CK450	083040N706	KIT PORTA INCERNIERATA A DESTRA 101 ZAN 3 VETRI	RIGHT HINGED DOOR KIT 3 GLASSES 10/1			n;q - ZAN
133	0CK462	083040NL06	KIT PORTA INCERNIERATA A DESTRA 101 TO BRAND 3 VETRI	RIGHT HINGED DOOR KIT 3 GLASSES 10/1			n;q - TO BRAND
133	0CK439	083040MW06	KIT PORTA INCERNIERATA A DESTRA 102 ELUX 2 VETRI	RIGHT HINGED DOOR KIT 2 GLASSES 10/2			s;u;v;x - ELUX
133	0CK451	083040N806	KIT PORTA INCERNIERATA A DESTRA 102 ZAN 2 VETRI	RIGHT HINGED DOOR KIT 2 GLASSES 10/2			s;u;v;x - ZAN
133	0CK463	083040NM06	KIT PORTA INCERNIERATA A DESTRA 102 TO BRAND 2 VETRI	RIGHT HINGED DOOR KIT 2 GLASSES 10/2			s;u;v;x - TO BRAND
133	0CK440	083040MX06	KIT PORTA INCERNIERATA A DESTRA 102 ELUX 3 VETRI	RIGHT HINGED DOOR KIT 3 GLASSES 10/2			t;w - ELUX
133	0CK452	083040N906	KIT PORTA INCERNIERATA A DESTRA 102 ZAN 3 VETRI	RIGHT HINGED DOOR KIT 3 GLASSES 10/2			t;w - ZAN
133	0CK464	083040NN06	KIT PORTA INCERNIERATA A DESTRA 102 TO BRAND 3 VETRI	RIGHT HINGED DOOR KIT 3 GLASSES 10/2			t;w - TO BRAND
133	0CK469	083040LW06	KIT PORTA INCERNIERATA A SINISTRA 061 ELUX CKM 2V	LEFT HINGED DOOR KIT 2 GLASSES 6/1			a;c;d,f - ELUX
133	0CK425	083040M407	KIT PORTA INCERNIERATA A SINISTRA 061 ZAN CKM 2V	LEFT HINGED DOOR KIT 2 GLASSES 6/1			a;c;d,f - ZAN
133	0CK483	083040MC05	KIT PORTA INCERNIERATA A SINISTRA 061 TO BRAND CKM 2V	LEFT HINGED DOOR KIT 2 GLASSES 6/1			a;c;d,f - TO BRAND
133	0CK470	083040LX06	KIT PORTA INCERNIERATA A SINISTRA 061 ELUX CKM 3V	LEFT HINGED DOOR KIT 3 GLASSES 6/1			b;e - ELUX
133	0CK477	083040M506	KIT PORTA INCERNIERATA A SINISTRA 061 ZAN CKM 3V	LEFT HINGED DOOR KIT 3 GLASSES 6/1			b;e - ZAN
133	0CK484	083040MD05	KIT PORTA INCERNIERATA A SINISTRA 061 TO BRAND CKM 3V	LEFT HINGED DOOR KIT 3 GLASSES 6/1			b;e - TO BRAND
133	0CK471	083040LY06	KIT PORTA INCERNIERATA A SINISTRA 062 ELUX CKM 2V	LEFT HINGED DOOR KIT 2 GLASSES 6/2			g;i;j;l - ELUX
133	0CK478	083040M605	KIT PORTA INCERNIERATA A SINISTRA 062 ZAN CKM 2V	LEFT HINGED DOOR KIT 2 GLASSES 6/2			g;i;j;l - ZAN
133	0CK485	083040MF05	KIT PORTA INCERNIERATA A SINISTRA 062 TO BRAND CKM 2V	LEFT HINGED DOOR KIT 2 GLASSES 6/2			g;i;j;l - TO BRAND
133	0CK472	083040LZ06	KIT PORTA INCERNIERATA A SINISTRA 062 ELUX CKM 3V	LEFT HINGED DOOR KIT 3 GLASSES 6/2			h;k - ELUX

SKYLINE							
Pos	Spare part Code	Factory code	Descrizione	Description	V	W & T	Ref./Notes
133	0CK479	083040M705	KIT PORTA INCERNIERATA A SINISTRA 062 ZAN CKM 3V	LEFT HINGED DOOR KIT 3 GLASSES 6/2			h;k - ZAN
133	0CK486	083040MG05	KIT PORTA INCERNIERATA A SINISTRA 062 TO BRAND CKM 3V	LEFT HINGED DOOR KIT 3 GLASSES 6/2			h;k - TO BRAND
133	0CK473	083040M007	KIT PORTA INCERNIERATA A SINISTRA 101 ELUX CKM 2V	LEFT HINGED DOOR KIT 2 GLASSES 10/1			m;o;p;r - ELUX
133	0CK426	083040M805	KIT PORTA INCERNIERATA A SINISTRA 101 ZAN CKM 2V	LEFT HINGED DOOR KIT 2 GLASSES 10/1			m;o;p;r - ZAN
133	0CK487	083040MH06	KIT PORTA INCERNIERATA A SINISTRA 101 TO BRAND CKM 2V	LEFT HINGED DOOR KIT 2 GLASSES 10/1			m;o;p;r - TO BRAND
133	0CK474	083040M107	KIT PORTA INCERNIERATA A SINISTRA 101 ELUX CKM 3V	LEFT HINGED DOOR KIT 3 GLASSES 10/1			n;q - ELUX
133	0CK480	083040M906	KIT PORTA INCERNIERATA A SINISTRA 101 ZAN CKM 3V	LEFT HINGED DOOR KIT 3 GLASSES 10/1			n;q - ZAN
133	0CK488	083040MJ06	KIT PORTA INCERNIERATA A SINISTRA 101 TO BRAND CKM 3V	LEFT HINGED DOOR KIT 3 GLASSES 10/1			n;q - TO BRAND
133	0CK475	083040M207	KIT PORTA INCERNIERATA A SINISTRA 102 ELUX CKM 2V	LEFT HINGED DOOR KIT 2 GLASSES 10/2			s;u;v;x - ELUX
133	0CK481	083040MA06	KIT PORTA INCERNIERATA A SINISTRA 102 ZAN CKM 2V	LEFT HINGED DOOR KIT 2 GLASSES 10/2			s;u;v;x - ZAN
133	0CK489	083040MK07	KIT PORTA INCERNIERATA A SINISTRA 102 TO BRAND CKM 2V	LEFT HINGED DOOR KIT 2 GLASSES 10/2			s;u;v;x - TO BRAND
133	0CK476	083040M307	KIT PORTA INCERNIERATA A SINISTRA 102 ELUX CKM 3V	LEFT HINGED DOOR KIT 3 GLASSES 10/2			t;w - ELUX
133	0CK482	083040MB06	KIT PORTA INCERNIERATA A SINISTRA 102 ZAN CKM 3V	LEFT HINGED DOOR KIT 3 GLASSES 10/2			t;w - ZAN
133	0CK490	083040ML07	KIT PORTA INCERNIERATA A SINISTRA 102 TO BRAND CKM 3V	LEFT HINGED DOOR KIT 3 GLASSES 10/2			t;w - TO BRAND
134	0CK356	0855408601	ASS. VETRO INTERMEDIO PORTA	DOOR MIDDLE GLASS ASS.Y			b;e - right hinged
134	0CK357	0855408701	ASS. VETRO INTERMEDIO PORTA	DOOR MIDDLE GLASS ASS.Y			n;q - right hinged
134	0CK358	0855409801	ASS. VETRO INTERMEDIO PORTA	DOOR MIDDLE GLASS ASS.Y			h;k - right hinged
134	0CK359	0855409901	ASS. VETRO INTERMEDIO PORTA	DOOR MIDDLE GLASS ASS.Y			t;w - right hinged
134	0CK879	085540D300	ASS. VETRO INTERMEDIO PORTA	DOOR MIDDLE GLASS ASS.Y			b;e - left hinged
134	0CK88A	085540D400	ASS. VETRO INTERMEDIO PORTA	DOOR MIDDLE GLASS ASS.Y			n;q - left hinged
134	0CK88B	085540D500	ASS. VETRO INTERMEDIO PORTA	DOOR MIDDLE GLASS ASS.Y			h;k - left hinged
134	0CK88C	085540D600	ASS. VETRO INTERMEDIO PORTA	DOOR MIDDLE GLASS ASS.Y			t;w - left hinged
135	0CK351	0543403D00	ASS. GUARNIZIONE VETRO INTERMEDIO	MIDDLE GLASS GASKET ASS.Y			b;e
135	0CK352	0543403F00	ASS. GUARNIZIONE VETRO INTERMEDIO	MIDDLE GLASS GASKET ASS.Y			n;q
135	0CK353	0543403G00	ASS. GUARNIZIONE VETRO INTERMEDIO	MIDDLE GLASS GASKET ASS.Y			h;k
135	0CK355	0543403H00	ASS. GUARNIZIONE VETRO INTERMEDIO	MIDDLE GLASS GASKET ASS.Y			t;w
136	0CK410	083040LS01	ASS. SILENZIATORE 061 GPL	SILENCER ASS.Y LPG			a;b;c;d;e;f
136	0CK411	083040LT00	ASS. SILENZIATORE 062 GPL	SILENCER ASS.Y LPG			g;h;i;j;k;l
137	0CK269	083040BX00	SONDA CELLA	CAVITY PROBE			Up to 2022/10
137	0CK878	083040QB00	SONDA CELLA	CAVITY PROBE			From 2022/11
*	0CK857		KIT SENSORE TEMPERATURA	TEMPERATURE SENSOR KIT			
138	0CK648	0598403Q01	ETICHETTA GPSAC	GPSAC LABEL			c;f;i;l;o;r;u;x
139	0CK654	541403200	PROTEZIONE VALVOLA VASCHETTA	CHECK VALVE PROTECTION			
140	0CK671	051440A901	PERNO PARETE ASPIRAZIONE E SUPPORTO TEGLIE	SUCTION WALL PIN			
141	0CK672	0514404V03	BOCCOLA INF. PARETE ASPIRAZIONE	SUCTION WALL LOWER BUSH			
142	0CK683		GRUPPO MOBILE DI AGGANCIO	LOCKING MECHANISM			
143	0CK083	0514404Y01	BICONO TENUTA TERMOCOPPIA	THERMOCOUPLE BICONICAL SEALING			Up to 2022/10
144	0CK691	0800401B02	CERNIERA X VETRO INTERNO PORTE	DOOR INNER GLASS HINGE			
145	0CK86H	506407C00	SUPPORTO SPILLONE	FOOD PROBE SUPPORT			a;b;c;d;e;f;g;h;i;j;k;l;m;n;o;p;q;r;
145	0CK86H	506407C00	SUPPORTO SPILLONE	FOOD PROBE SUPPORT			s;t;u;v;w;x Up to 2021/16

SKYLINE

Pos	Spare part Code	Factory code	Descrizione	Description	V	W & T	Ref./Notes
146	0CK86I	51440AC00	MOLLETTA AGGANCIAMENTO SPILLONE	FOOD PROBE SPRING			s;t;u;v;w;x From 2021/17
147	0CK9B2	543403Z00	AMMORTIZZATORE APPOGGIO VETRO INTERNO	INTERNAL GLASS SUPPORT DAMPER		X	a;c;d;f;g;i;j;l; m;o;p;r;s;u;v;x From 2023/39
170	0CK9GF	83040BA01	GRIGLIA PARETE ASPIRAZIONE	SUCTION WALL GRID			

SKYLINE							
Pos	Spare part Code	Factory code	Descrizione	Description	V	W & T	Ref./Notes
200	0CK161	541401D01	PROTEZIONE SCHEDA USER	USER INTERFACE COVER			
201	0CK037	638404D00	CAVO PROLUNGA USB	USB PROLONG		X	a;b;d;e;g;h;j;k; m;n;p;q;s;t;v;w
201		638405P00	CAVO PROLUNGA USB	USB PROLONG		X	c;f;i;l;o;r;u;x
202	0CK041	546400V01	SPORTELLINO USB	USB WINDOW		X	
203	0TTMGT	0638404V01	CABLAGGIO COMUNICAZIONE UI-ACU	UI-ACU COMMUNICATION CABLE	X		
204	0CK144	541401F03	MEMBRANA TOUCH ELECTROLUX CON BOILER	ELECTROLUX TOUCH MEMBRANE WITH BOILER		X	d;e;j;k;p;q;v;w
204	0CK298	541402502	MEMBRANA TOUCH ELECTROLUX SENZA BOILER	ELECTROLUX TOUCH MEMBRANE WITHOUT BOILER		X	a;b;g;h;m;n;s;t
204	0CK299	541401U04	MEMBRANA TOUCH ZANUSSI CON BOILER	ZANUSSI TOUCH MEMBRANE WITH BOILER		X	d;e;j;k;p;q;v;w
204	0CK300	541402704	MEMBRANA TOUCH ZANUSSI SENZA BOILER	ZANUSSI TOUCH MEMBRANE WITHOUT BOILER		X	a;b;g;h;m;n;s;t
204	0CK332	541401V02	MEMBRANA TOUCH TO BRAND	TO BRAND TOUCH MEMBRANE		X	a;b;d;e;g;h;j;k; m;n;p;q;s;t;v;w
204	0TTLG9	541402S01	MEMBRANA TOUCH DIAMOND	DIAMOND TOUCH MEMBRANE		X	a;b;d;e;g;h;j;k; m;n;p;q;s;t;v;w
204	0CK9AJ	541403F00	MEMBRANA TOUCH ENGEFOOD	ENGEFOOD TOUCH MEMBRANE			a;b;d;e;g;h;j;k; m;n;p;q;s;t;v;w
205	0CK9AR	675401U05	ACU –SCHEDA POWER	ACU-POWER BOARD	X		a;b;d;e;g;h;j;k m;n;p;q;s;t;v;w T.B. PDD2022_10
205	0CK9AR	675401U05	ACU –SCHEDA POWER	ACU-POWER BOARD	X		c;f;i;l;o;r;u;x T.B. PDD2022_12
206	0CK034	673400900	DISPLAY 7"	DISPLAY 7"	X		a;b;d;e;g;h;j;k; m;n;p;q;s;t;v;w
207	0CK260	694400S00	FILTRO EMC	EMC FILTER		X	
<b>207</b>	<b>0CK9EM</b>	<b>694401D00</b>	<b>FILTRO EMC</b>	<b>EMC FILTER</b>		<b>X</b>	<b>120V USA From 2024/24</b>
208	046357	639804901	MORSETTIERA	MAIN TERMINAL BLOCK			
209	0L3360	63962B400	PORTA FUSIBILI (PEZZO SINGOLO)	FUSE HOLDER (SINGLE PIECE)	X		
211	0CK199	682400G00	VENTILATORE RAFFREDDAMENTO	COOLING FAN		X	g;h;i;j;k;l;m;n; o;p;q;r;s;t;u; v;w;x
211	0CK257	682400H00	VENTILATORE RAFFREDDAMENTO	COOLING FAN		X	a;b;c;d;e;f
212	0CK168	657400201	SONDA LAMBDA	LAMBDA PROBE		X	
213	0CK040	543401N01	CRUSCOTTO PLASTICA TOUCH	PLASTIC FRAME TOUCH			a;b;d;e;g;h;j;k; m;n;p;q;s;t;v;w
214	0CK033	675401G00	SCHEDA ON/OFF	ON/OFF BOARD	X	X	
215	0CK036	675401J01	SCHEDA BRIDGE	BRIDGE BOARD	X		a;b;d;e;g;h;j;k; m;n;p;q;s;t;v;w
215a	0CK88X	675403L01	SCHEDA CORE	CORE BOARD DAVE	X		
*	0CK674	675403M00	MICROSD HC 8GB CL4 SANDISK	MICROSD HC 8GB CL4 SANDISK			
216	0CK183	646400G00	TERMOSTATO SICUREZZA BOILER	BOILER SAFETY THERMOSTAT	X		Up to 2022/40
216a	0CBAWR	0646400L00	KLIXON	BOILER SAFETY THERMOSTAT			From 2022/41
216b	0CBAWQ	0638407C00	CABLAGGIO TERMOSTATO BOILER	BOILER SAFETY THERMOSTAT WIRING			From 2022/41
217	0CK184	646400H00	TERMOSTATO SICUREZZA CELLA	CAVITY SAFETY THERMOSTAT	X		
218	0CK039	655400000	ALTOPARLANTE	SPEAKER			a;b;d;e;g;h;j;k; m;n;p;q;s;t;v;w
219	0CK424	675403H00	INVERTER	INVERTER	X		
220	0CK643	675403K00	SMPS ALIM. SWITCHING 24V	SWITCHING FEEDER 24V	X		For;appliances Up to 2020/42 order also pos. 221a

SKYLINE							
Pos	Spare part Code	Factory code	Descrizione	Description	V	W & T	Ref./Notes
221	096342	648R11400	SMPS ALIM. SWITCHING 12V	SWITCHING FEEDER 12V	X		For;appliances Up to 2020/42 order also pos. 221a
221a	0CK761	83040Q000	KIT RETROFIT PER SMPS	SMPS KIT RETROFIT			Up to 2020/42 + pos. 220/221
222	0CK145	640400300	MICRO INTERRUETTORE	MICRO SWITCH		X	Up to 2022/10
224	<b>0CK9ES</b>	<b>0543402Y00</b>	<b>GUARNIZIONE CORNICE IN PLASTICA</b>	<b>PLASTIC FRAME GASKET</b>			<b>Order 2 pcs</b>
225	0CK044	675401P02	SCHEDA USER DIGIT	DIGIT USER BOARD	X		c,f,i,l,o,r,u,x
226	0CK043	543401Q02	CRUSCOTTO PLASTICA DIGIT	PLASTIC FRAME DIGIT			c,f,i,l,o,r,u,x
227	0CK705	648401300	RELE'	RELAY	X	X	
227	0CK707	648401500	RELE'	RELAY	X	X	120V USA
228	0CK042	657400103	SCHEDA NIU	NIU BOARD		X	Up to 2022/42
228	<b>0L5257</b>	<b>675403P00</b>	<b>SCHEDA TIGER</b>	<b>TIGER BOARD</b>		<b>X</b>	<b>From 2022/43</b>
228a	<b>0CBAR1</b>	<b>541403H00</b>	<b>SUPPORTO SCHEDA TIGER</b>	<b>TIGER IOT MODULE PLASTIC SUPPORT</b>		<b>X</b>	<b>From 2022/43</b>
229	0CK045	675401Q00	CAVETTO ON/OFF TOUCH	ON/OFF CABLE TOUCH		X	a,b,d,e,g,h,j,k; m,n,p,q,s,t,v,w
229	0CK329	675402K00	CAVETTO ON/OFF DIGIT	ON/OFF CABLE DIGIT		X	c,f,i,l,o,r,u,x
230	0CK254	646400A00	SONDA TEMPERATURA COMPONENTI	NTC COMPONENT TEMPERATURE PROBE	X	X	
233	0CK685	83040PL01	ASSIEME USER TOUCH	USER INTERFACE ASSEMBLY TOUCH	X		a,b,d,e,g,h,j,k; m,n,p,q,s,t,v,w
234	0CK079	830409604	ASSIEME USER DIGIT	USER INTERFACE ASSEMBLY DIGIT	X		c,f,i,l,o,r,u,x Up to 2021/42
234	0CK86G	830409605	ASSIEME USER DIGIT	USER INTERFACE ASSEMBLY DIGIT	X		c,f,i,l,o,r,u,x From 2021/43
235	0C5239	652806000	FUSIBILE 5X20 4A ST520240	FUSE 5X20 4A ST520240	X	X	
235	0L3435	0652608D00	FUSIBILE CERAMICO 5X20 250V 6.3 A T RITARDATO/OMEGA GT520263	DELAYED CERAMIC FUSE 5X20 250V 6.3 A T OMEGA GT520263	X	X	
235	0L3083	652608900	FUSIBILE CERAMICO 5X20 250V 10A T RITARDATO/OMEGA	FUSE 5X20 250V 10A	X	X	USA 120V
236	0CK032	514405001	MOLLA SPORTELLINO	SPRING		X	
237	0CK038	638404F02	CAVETTO RECOVERY	RECOVERY CABLE		X	
238	0CK030	546400U01	SUPPORTO USB	USB CAGE			
239	0CK292	541401G04	MEMBRANA DIGIT ELECTROLUX CON BOILER	ELECTROLUX DIGIT MEMBRANE WITH BOILER		X	c,i,o,u
239	0CK301	541402603	MEMBRANA DIGIT ELECTROLUX SENZA BOILER	ELECTROLUX DIGIT MEMBRANE WITHOUT BOILER		X	f,l,r,x
239	0CK302	541401W03	MEMBRANA DIGIT ZANUSSI CON BOILER	ZANUSSI DIGIT MEMBRANE WITH BOILER		X	c,i,o,u
239	0CK303	541402804	MEMBRANA DIGIT ZANUSSI SENZA BOILER	ZANUSSI DIGIT MEMBRANE WITHOUT BOILER		X	f,l,r,x
239	0CK333	541401X02	MEMBRANA DIGIT TO BRAND CON BOILER	TO BRAND DIGIT MEMBRANE WITH BOILER		X	c,i,o,u
239	0CK334	541402A02	MEMBRANA DIGIT TO BRAND SENZA BOILER	TO BRAND DIGIT MEMBRANE WITHOUT BOILER		X	f,l,r,x
239	*	541402U01	MEMBRANA DIGIT DIAMOND CON BOILER	DIAMOND DIGIT MEMBRANE WITH BOILER		X	c,i,o,u
239	*	541402T01	MEMBRANA DIGIT DIAMOND SENZA BOILER	DIAMOND DIGIT MEMBRANE WITHOUT BOILER		X	f,l,r,x
239	0CK9AK	541403G00	MEMBRANA DIGIT ENGEFOOD SENZA BOILER	ENGEFOOD DIGIT MEMBRANE WITHOUT BOILER		X	f,l,r,x
244	0CK330	675401L00	CAVETTO CONNESSIONE SPEAKER	WIRING SPEAKER		X	a,b,d,e,g,h,j,k; m,n,p,q,s,t,v,w
245	0CK622	546401700	TASTO PER TASTIERA DIGIT 13X13 H11.4MM	LIGHTED PUSH-BUTTON 13X13 H11.4MM			c,f,i,l,o,r,u,x
246	0CB910	638406L00	CAVO ETHERNET RJ45 M-M CAT.5E SCHERMATO L=1000MM	ETHERNET CABLE RJ45 M-M CAT.5E L=1000MM			a,b,d,e,g,h,j,k; m,n,p,q,s,t,v,w Peer to peer

SKYLINE

Pos	Spare part Code	Factory code	Descrizione	Description	V	W & T	Ref./Notes
247	0CB911	639402900	GIUNTO RJ45 - VS-08-BU-RJ45/BU - PHOENIX 1689064	CONNECTION RJ45 - VS-08-BU-RJ45/BU - PHOENIX 1689064			a;b;d;e;g;h;j;k; m;n;p;q;s;t;v;w Peer to peer
248	0CK668	546813700	TASTO PER TASTIERA DIGIT 21X21 H11.4MM	LIGHTED PUSH-BUTTON 21X21 H11.4MM			c;f;i;l;o;r;u;x
249	0CB909	0544403Q00	CONTRODADO M25 ELEKTROZUBEHOR 171541	NUT M25 ELEKTROZUBEHOR 171541			a;b;d;e;g;h;j;k; m;n;p;q;s;t;v;w Peer to peer
250	0CB907	050440HD00	SUPPORTO CONNETTORE RJ45 PAS-SANTE	CONNECTOR SUPPORT RJ45			a;b;d;e;g;h;j;k; m;n;p;q;s;t;v;w Peer to peer
251	0CB908	0544403P00	PRESSACAVO RJ45 M25 ELEKTROZUBEHOR 197939	CABLE GLAND RJ45 M25 ELEKTROZUBEHOR 197939			a;b;d;e;g;h;j;k; m;n;p;q;s;t;v;w Peer to peer

SKYLINE							
Pos	Spare part Code	Factory code	Descrizione	Description	V	W & T	Ref./Notes
300	0CK418	686400305	POMPA LAVAGGIO 220-240V 50/60HZ	CLEANING PUMP 220-240V 50/60HZ	X		Order KIT OCBAN1
301	0C4202	516896000	CONTRODADO	NUT	X		Up to 2021/16
301a	0CK726	51440AW00	EXTENSION FOR ISG & CLEANING INLET	ESTENSIONE PER ISG	X		From 2021/17
302	0C4201	543841400	GUARNIZIONE IN RAME	COPPER GASKET	X		
302a	0CBAWL	506408Z00	RONDELLA PIANA D 21X31	WASHER D 21X31			
303a	0CK285	83040HS00	ASS. ELETTROVALVOLA	SOLENOID VALVE ASSEMBLY	X		c;d;e;ij;k;o;p; q;u;v;w Up to 2023/38
303a	0CK9B8	83040HS01	ASS. ELETTROVALVOLA	SOLENOID VALVE ASSEMBLY	X		c;d;e;ij;k;o;p; q;u;v;w From 2023/39
303b	0CK013	83040HU00	ASS. ELETTROVALVOLA	SOLENOID VALVE ASSEMBLY	X		a;b;f;g;h;l;m; n;r;s;t;x Up to 2023/38
303b	0CK9B9	83040HU01	ASS. ELETTROVALVOLA	SOLENOID VALVE ASSEMBLY	X		a;b;f;g;h;l;m; n;r;s;t;x From 2023/39
304	0CK182	541401S01	TEGOLO RACCOGLI CONDENSA	FRONT GUTTER			
305	0CK283	83040HL00	GRUPPO ELETTROVALVOLE RM1400	SOLENOID VALVES GROUP RM1400	X		USA all d;e;j;k;p;q;v;w c;i;o;u: - DIAM 230V - o;u - To Brand 230V c;u - ENGEFOOD Up to 2023/38
305	0CK9B6	83040HL01	GRUPPO ELETTROVALVOLE RM1400	SOLENOID VALVES GROUP RM1400	X		USA all d;e;j;k;p;q;v;w c;i;o;u: - DIAM 230V - o;u - To Brand 230V c;u - ENGEFOOD From 2023/39
305a	0CK284	83040HM00	GRUPPO ELETTROVALVOLE RM1300	SOLENOID VALVES GROUP RM1300	X		a;b;f;g;h;l;m; n;r;s;t;x (except USA) c;i;o;u: - DIAM 230 - c;i - To Brand 230V i;o - all 220-240V - all 230V Up to 2023/38
305a	0CK9B7	83040HM01	GRUPPO ELETTROVALVOLE RM1300	SOLENOID VALVES GROUP RM1300	X		a;b;f;g;h;l;m; n;r;s;t;x (except USA) c;i;o;u: - DIAM 230 - c;i - To Brand 230V i;o - all 220-240V - all 230V From 2023/39
306	0CK9EX	083040SH00	FLUSSIMETRO	FLOW METER ASSEMBLY	X		From 2024/46
306a	0CK9EV	083040TS00	KIT RETROFIT FLUSSIMETRO	FLOW METER KIT RETROFIT	X		Up to 2024/45
306b	0CK9F5	0638407Q00	CABLAGGIO KIT RETROFIT	KIT RETROFIT CABLE			Up to 2024/45
307	0CK128	855405L02	INGRESSO UMIDIFICATORE 6 1/1	HUMIDIFIER INLET 6 1/1			a;b;c;d;e;f Up to 2021/16
307	0CK126	855406701	INGRESSO UMIDIFICATORE 10 1/1	HUMIDIFIER INLET 10 1/1			m;n;o;p;q;r Up to 2021/16
307	0CK129	855405M02	INGRESSO UMIDIFICATORE 6 2/1	HUMIDIFIER INLET 6 2/1			g;h;i;j;k;l Up to 2021/16
307	0CK127	855406801	INGRESSO UMIDIFICATORE 10 2/1	HUMIDIFIER INLET 10 2/1			s;t;u;v;w;x Up to 2021/16

SKYLINE							
Pos	Spare part Code	Factory code	Descrizione	Description	V	W & T	Ref./Notes
308	0CK709	518401A00	FASCETTA BIFILARE DIA 21 MM	CLAMP DIAM 21 MM			a;b;c;d;e;f;m; n;o;p;q;r; From 2021/17
308	0CK709	518401A00	FASCETTA BIFILARE DIA 21 MM	CLAMP DIAM 21 MM			g;h;i;j;k;l;s;t;u; v;w;x From 2022/11
309	0CK228	696400L01	ELETTROVALVOLA.	SOLENOID VALVE	X		
310	0CK221	544401G03	MANICOTTO MANDATA POMPA NBR	NBR PUMP EXIT MANIFOLD	X		EPDM KIT 0CK86E
311	0CK137	544401F03	MANICOTTO ASPIRAZIONE POMPA NBR	NBR PUMP INLET MANIFOLD	X		EPDM KIT 0CK86E
312	0CK749	83040QG05	KIT DOCCETTA INTEGRATA	INTEGRATED SHOWER KIT			a;b;c;f;g;h;i;l; m;n;o;r;s;t;u;x
312	0CK749	83040QG05	KIT DOCCETTA INTEGRATA	INTEGRATED SHOWER KIT			a;b;c;f;g;h;i;l; m;n;o;r;s;t;u;x AUS From 2023/39
313	0CK087	541402F01	CILINDRO PASTIGLIE	CYLINDER FOR TABS	X		
314	0CK233	855403M11	CONDUTTURE CLEANING SYSTEM 6 1/1	CLEANING SYSTEM PIPING 6 1/1			a;b;c;d;e;f
314	0CK235	855403N12	CONDUTTURE CLEANING SYSTEM 10 1/1	CLEANING SYSTEM PIPING 10 1/1			m;n;o;p;q;r
314	0CK232	855403P11	CONDUTTURE CLEANING SYSTEM 6 2/1	CLEANING SYSTEM PIPING 6 2/1			g;h;i;j;k;l
314	0CK234	855403Q12	CONDUTTURE CLEANING SYSTEM 10 2/1	CLEANING SYSTEM PIPING 10 2/1			s;t;u;v;w;x
315	0CBCKO	051540C700	PORTAGOMMA	HOSE FITTING		X	
316	0CK141	544402P00	MANICOTTO SCARICO BOILER	BOILER DRAIN MANIFOLD	X		
317	0CK207	544401A01	TUBO SCARICO CONDENSA	CONDENSATE DRAIN HOSE	X		g;h;i;j;k;l;s;t;u; v;w;x Up to 2022/10
317	0CK207	544401A01	TUBO SCARICO CONDENSA	CONDENSATE DRAIN HOSE	X		a;b;c;d;e;f;m; n;o;p;q;r Up to 2021/16
318		805407V01	ASS. CONDUTTURA SCARICO CONDENSA	CONDENSATE DRAIN PIPE			g;h;i;j;k;l;s;t;u; v;w;x Up to 2022/10
318	0CK874	0544403U01	ASS. CONDUTTURA SCARICO CONDENSA	CONDENSATE DRAIN PIPE			g;h;i;j;k;l;s;t;u; v;w;x From 2022/11
318	0CK074	805407U01	ASS. CONDUTTURA SCARICO CONDENSA	CONDENSATE DRAIN PIPE			a;b;c;d;e;f;m; n;o;p;q;r Up to 2021/16
318	0CK708	80540GM00	ASS. CONDUTTURA SCARICO CONDENSA	CONDENSATE DRAIN PIPE			a;b;c;d;e;f;m; n;o;p;q;r; From 2021/17
319	0CK321	800404000	COPERTURA POSTERIORE CARTER	CARTER BACK COVER			Up to 2022/10
320	0CK236	800403Z00	CARTER COPERTURA FONDO	CARTER BOTTOM COVER			Up to 2022/10
320	0CK873	541403B00	CARTER COPERTURA FONDO	CARTER BOTTOM COVER			From 2022/11
321	0CK178	546400W01	SUPPORTO PER SCORRIMENTO DOCCETTA	SHOWER HOSE SUPPORT SLIPPING	X		
322	0CK203	542400001	VASCHETTA RACCOGLI CONDENSA GN 1/1	FRONT DRIP TRAY GN 1/1	X		a;b;c;d;e;f;m; n;o;p;q;r Ass.y 0CK196
322	0CK202	542400101	VASCHETTA RACCOGLI CONDENSA GN 2/1	FRONT DRIP TRAY GN 2/1	X		g;h;i;j;k;l;s;t;u; v;w;x Ass.y 0CK197
323	0CB250	689400001	VALVOLA SCARICO BOILER	BOILER DRAIN VALVE	X		EU - c;d;e;i;j;k; o;p;q;u;v;w
323	0CB251	689400500	VALVOLA SCARICO BOILER	BOILER DRAIN VALVE	X		USA - c;d;e;i;j; k;o;p;q;u;v;w
323a	0CBCKC	515406000	PORTAGOMMA 3/4"	HOSE FITTING 3/4"	X		
324	0CK682	83040PP01	KIT PANNELLO FACCIATA INFERIORE		X		Up to 2019/41
324	0CK427	541402Z00	PANNELLO FACCIATA INFERIORE		X		From 2019/42

SKYLINE							
Pos	Spare part Code	Factory code	Descrizione	Description	V	W & T	Ref./Notes
325	0CK657	544403H00	MANICOTTO A GOMITO SCARICO CELLA NBR	NBR MANIFOLD	X		EPDM KIT 0CK86E
326	0CK420	830409A05	ASSIEME CAMINO ABBATTITORE	STEAM EXHAUST PIPE			a;b;c;d;e;f;g; h;i;j;k;l Up to 2022/10
326	0CK876	830409A06	ASSIEME CAMINO ABBATTITORE	STEAM EXHAUST PIPE			a;b;c;d;e;f;g; h;i;j;k;l From 2022/11
326	0CK075	830409B05	ASSIEME CAMINO ABBATTITORE	STEAM EXHAUST PIPE			m;n;o;p;q;r;s; t;u;v;w;x Up to 2022/10
326	0CK877	830409B06	ASSIEME CAMINO ABBATTITORE	STEAM EXHAUST PIPE			m;n;o;p;q;r;s; t;u;v;w;x From 2022/11
327	0CK670		CONDENSATORE 5 MF	CAPACITOR 5 MF			
328	0CK155	514407S00	PIOLO SCARICO CONDENZA PORTA	CONDENSATE DOOR DRAIN STUD	X		
329	0CK193	689400700	VALVOLA MOTORIZZATA 1"	MOTORIZED BALL VALVE 1"	X		EU
329	0CK380	689400600	VALVOLA MOTORIZZATA 1"	MOTORIZED BALL VALVE 1"	X		USA
330	0CK138	544401V02	MANICOTTO COLLEGAMENTO CAMINO	RUBBER MANIFOLD	X		
331	0CK86W	0835407C01	DOCETTA	WATER SPRAY GUN			- d;e;- j;k;p;q;v;w;all - a;b;g;h;m;n; s;t 208V-480V - c;i;o;u 380V-415V - f;l;r;x 208V - m;r ENGE- FOOD
331	0CK86W	0835407C01	DOCETTA	WATER SPRAY GUN			a;c;f;g;i;l;m;o; r;s;u;x AUS From 2023/39
332	0CK096	514405A00	DADO CIECO 1"G	NUT 1"	X		
333	0CK073	805409V01	ASS. COLLETTORE SCARICO AIRBREAK	AIRBREAK DRAIN ASSEMBLY	X		
334	0CK142	544401J03	MANICOTTO SCARICO CELLA		X		
336	0CK170	83040C000	SONDA TEMP. ABBATTITORE FUMANE	STEAM QUENCHING TEMP. PROBE	X		Up to 2022/10
*	0CK858		KIT Sonda TEMP. ABBATTITORE FUMANE	STEAM QUENCHING TEMP. PROBE KIT			
337	0CK106	502404000	FILTRO SUPPORTO DETERGENTE	DETERGENT HOLDER FILTER			
338	0CK206	544402Z00	TUBO SILICONE	SILICON HOSE	X		
339	046855	518602801	FASCETTA	CLAMP	X		
340	0CK659	653400C00	SONDA NTC SICUREZZA	SAFETY NTC PROBE	X		
341	0CK304	0835405Q00	ASSIEME FASCETTA FBS HC 24/12	SPRING CLAMP FBS HC 24/12 ASSEMBLY	X		
341a	0CK304	0835405Q00	ASSIEME FASCETTA FBS HC 24/12	SPRING CLAMP FBS HC 24/12 ASSEMBLY	X		g;h;i;j;k;l;s;t;u; v;w;x Up to 2022/10
341a	0CK304	0835405Q00	ASSIEME FASCETTA FBS HC 24/12	SPRING CLAMP FBS HC 24/12 ASSEMBLY	X		a;b;c;d;e;f;m; n;o;p;q;r Up to 2021/16
342	0CK191	544402Y00	TUBO SCARICO BOILER	BOILER DRAIN HOSE	X		
343	0CK139	544401Z02	MANICOTTO COLLEGAM SCARICHI 1/1	DRAIN CONNECTOR 1/1	X		a;b;c;d;e;f;m; n;o;p;q;r
343	0CK140	544403100	MANICOTTO COLLEGAM SCARICHI 2/1	DRAIN CONNECTOR 2/1	X		g;h;i;j;k;l;s;t;u; v;w;x
344	0C5829	544819400	TUBO EPDM BLU	EPDM BLUE HOSE	X		
345	0CK192	544401Y00	TUBO SILICONE RETINATO	SILICONE HOSE REINFORCED	X		
346	0CK190	544402000	TUBO NBR TELATO	NBR HOSE BLACK	X		
346a	0CK190	544402000	TUBO NBR TELATO	NBR HOSE BLACK	X		g;h;i;j;k;l;s;t;u; v;w;x Up to 2022/10

SKYLINE							
Pos	Spare part Code	Factory code	Descrizione	Description	V	W & T	Ref./Notes
346a	0CK190	544402000	TUBO NBR TELATO	NBR HOSE BLACK	X		a;b;c;d;e;f;m; n;o;p;q;r Up to 2021/16
347	0CK083	514404Y01	BICONO TENUTA TERMOCOPPIA	THERMOCOUPLE BICONICAL SEALING	X		Up to 2022/10
348	0C9201	518825C01	FASCETTA A VITE CLAMP BCT-9420 X TUBO D21-44	CLAMP BCT-9420 X TUBO D21-44	X		
349	0L3736	640613Q00	SENS. REED CASSETTO PASTIGLIE	TABS DRAWER REED SENSOR			
350		518400F00	FASCETTA NORMACLAMP COBRA 19/8 W4	SPRING CLAMP COBRA 19/8 W4	X		g;h;i;j;k;l;s;t;u; v;w;x Up to 2022/10
350		518400F00	FASCETTA NORMACLAMP COBRA 19/8 W4	SPRING CLAMP COBRA 19/8 W4	X		a;b;c;d;e;f;m; n;o;p;q;r; Up to 2021/16
351	0CK007	654400300	SENSORE REED PORTA DX	RIGHT DOOR REED SENSOR			L=470;mm
351	0CK384	654400500	SENSORE REED PORTA SX	LEFT DOOR REED SENSOR			L=1100;mm
352	0CK177	514406W01	SUPPORTO PASTIGLIE	TABS HOLDER			Up to 2020/42 Order 352a+354a
352a	0CK655	542400D00	SUPPORTO PASTIGLIE	TABS HOLDER			From 2020/43
353	0CK246	514406V01	MOLLA TAPPO	CUP SPRING	X		
354	0CK125	543402S01	GUARNIZIONE TAPPO	CUP GASKET	X		Up to 2020/42 Order 352a+354a
354a	0CK656	543403W01	GUARNIZIONE TAPPO	CUP GASKET	X		From 2020/43
355	0CK180	541402M00	TAPPO MOBILE	MOBILE CUP	X		Up to 2020/42 Order 352a+354a
356	0CK179	541402D00	TAPPO FISSO	FIX CUP	X		Up to 2020/42
356a	0CK645	80540GG00	TAPPO FISSO	FIX CUP	X		From 2020/43
357	0CK322	80540DK01	ASSIEME TAPPO SERBATOIO CHIMICA	CUP TANK ASSEMBLY	X		Up to 2020/42
357a	0CK322	80540DK04	ASSIEME TAPPO SERBATOIO CHIMICA	CUP TANK ASSEMBLY	X		From 2020/43
358	0PE481	511T00300	MANOPOLA ZIGRINATA	KNURLED SCREW	X		
358a	0CK671	051440A901	PERNO	PIN			
358b	0CK672	0514404V03	BOCCOLA	BUSH			
359	0CK669	001541900	RONDELLA INOX (5X15X1,5)	INOX WASHER (5X15X1,5)			
360	0CK100	835405P00	FASCETTA A MOLLA FBS HC 38/12	SPRING CLAMP FBS HC 38/12	X		
361	0S1279	0P.P313.00.00	SEGER PER MINIREEL (PER FORO d. 28)	SEGER diam. 28 mm	X		
362	0CK710	546401N00	RACCORDO A Y PORTAGOMMA PG10 IN PA6 COD. 5060TR10	THREE WAYS FITTING			From 2021/17 Up to 2022/10
362	0CK88S	546401N01	RACCORDO A Y PORTAGOMMA ELDON JAMES 3/8	THREE WAYS FITTING			From 2022/11
363	0CBAJ9	P666	O-RINGS KIT	O-RINGS KIT	X		
364	0CK429	0R.F193	TUBO FLESSIBILE GOMMA EPDM	HOSE WITH O-RINGS AND COUPLINGS	X		d.6x12mm; length1.35 mt
365	0CK430	0R.P470	MOLLA SAGOMATA	SPRING	X		
366	0CBAJ8	080540H200	TESTA DOCCIA	SPRAY VALVE	X		
367	0CK600	544401S01	COLLETORE RPE DN19 CON FILTRO 3/4"	COLLECTOR		X	
368	0C2312	549801800	VALVOLA DI NON RITORNO	NON-RETURN VALVE	X		Up to 2023/38
369	0CK646	083040KU00	ASS. RACCORDO 3/4" INGRESSO ACQUA	WATER INLET FITTING	X		Up to 2023/38
369a	0CK9B3	080540J200	ASS. RACCORDO 3/4" INGRESSO ACQUA	DOUBLE CHECK VALVE ASSEMBLY	X		From 2023/39
370	0CK872	0639721300	CAVALLOTTO				g;h;i;j;k;l;s;t;u; v;w;x From 2022/11
371	0C5385	835872300	FASCETTA NORMACLAMP COBRA DN 16X8	CLAMP COBRA DN 16 X 8			
372	0PRRXL	080540HY00	ASS. TUBO INGRESSO	INLET HOSE ASSEMBLY			From 2022/11
373	0L0674	080540H100	ASSIEME RACCORDO PINTOSSI 90°	90° FITTING ASSEMBLY			From 2022/11
374	0CK046	0544403300	TUBO ESTRUSO NBR 10X17	NBR HOSE 10X17			

SKYLINE							
Pos	Spare part Code	Factory code	Descrizione	Description	V	W & T	Ref./Notes
375a	0CBCEW	050440JR00	STAFFA POMPA E GUIDA CONDUTTURA 1/1	PUMP BRACKET AND PIPE GUIDE 1/1			a;b;c;d;e;f;m; n;o;p;q;r From 2024/05
375b	0CBCEV	050440JS00	STAFFA POMPA E GUIDA CONDUTTURA 2/1	PUMP BRACKET AND PIPE GUIDE 2/1			g;h;i;j;k;l;s;t; u;v;w;x From 2024/05
376	094193	0518707700	VITE M6X16 A TESTA FLANGIATA DENTELLATA ZN/CR	SCREW M6X16			From 2024/05

SKYLINE							
Pos	Spare part Code	Factory code	Descrizione	Description	V	W & T	Ref./Notes
400	0CK9F7	080540KM01	KIT BOILER 6 1/1-6 2/1	KIT BOILER 6 1/1-6 2/1	X		c;d;e;i;j;k
400	0CK9F8	080540KP01	KIT BOILER 10 1/1-10 2/1	KIT BOILER 10 1/1-10 2/1	X		o;p;q;u;v;w
401	0CK189	544401B01	TUBO INGRESSO VAPORE	STEAM INLET HOSE	X	X	
402	007033	830890501	SONDA LIVELLO ACQUA	WATER LEVEL SENSOR	X	X	
403	0CK119	543402K00	GUARNIZIONE CANDELINA ACC.NE	IGNITION ROD GASKET	X	X	
404	0CK270	83040BY01	SENSORE DI TEMPERATURA BOILER	BOILER TEMPERATURE SENSOR	X	X	
405	0CK115	543402J01	GUARNIZIONE BRUCIATORE	BURNER GASKET	X	X	a;b;c;d;e;f;m; n;o;p;q;r
405	0CK116	543402L02	GUARNIZ. BRUCIATORE 6 2/1-10 2/1	BURNER GASKET 6 2/1-10 2/1	X	X	g;h;i;j;k;l;s;t;u; v;w;x
406	0CK286	835403Z02	BRUCIATORE BOILER 61-62-101-102	BOILER BURNER 61-62-101-102	X		Order KIT 0CBAKR
407	0CK273	83040CD04	CAND. ACC.NE BOILER 61-62-101-102	BOILER IGNITION ROD 61-61-101-102	X	X	Order KIT 0CBAN2
408	0CK124	543402H01	GUARNIZIONE SOFFIANTE	BLOWER GASKET	X	X	
409	0C4105	624810600	ACCENDITORE	IGNITER	X	X	
410	0CK159	83040DL02	PROLUNGA BRUCIATORE	BURNER PROLONG			
411	0C1044	518807600	MOLLA	SPRING		X	
412	0CK146	511400V00	MIXER	MIXER	X		
413a	0CK134	560401B04	ISOLANTE BOILER 6 1/1-6 2/1-a	BOILER INSULATION 6 1/1-6 2/1-a		X	c;d;e;i;j;k - a
413a	0CK131	560401F04	ISOLANTE BOILER 10 1/1-10 2/1-a	BOILER INSULATION 10 1/1-10 2/1-a		X	o;p;q;u;v;w - a
413b	0CK135	560401C04	ISOLANTE BOILER 6 1/1-6 2/1-b	BOILER INSULATION 6 1/1-6 2/1-b		X	c;d;e;i;j;k - b
413b	0CK132	560401G04	ISOLANTE BOILER 10 1/1-10 2/1-b	BOILER INSULATION 10 1/1-10 2/1-b		X	o;p;q;u;v;w - b
413c	0CK136	560401D01	ISOLANTE BOILER 6 1/1-6 2/1-c	BOILER INSULATION 6 1/1-6 2/1-c		X	c;d;e;i;j;k - c
413c	0CK133	560401H01	ISOLANTE BOILER 10 1/1-10 2/1-c	BOILER INSULATION 10 1/1-10 2/1-c		X	o;p;q;u;v;w - c
414	0CK198	682400C00	VENTILATORE 50 Hz	BLOWER 50 Hz	X		For 50Hz
414	0CK409	682400K00	VENTILATORE 60 Hz	BLOWER 60 Hz	X		For 60Hz
415	0CK188	515404902	TUBO INGRESSO ARIA	AIR INLET PIPE			
416	0CBAWR	0646400L00	KLIXON	BOILER SAFETY THERMOSTAT			From 2022/41
416a	0CBAWQ	0638407C00	CABLAGGIO TERMOSTATO BOILER	BOILER SAFETY THERMOSTAT WIRING			From 2022/41
417	0CK006	805409304	ASSIEME VALVOLA ARIA	AIR INLET VALVE	X	X	
417a	0CK9CQ	543402R00	GUARNIZIONE VALVOLA ARIA	AIR INLET VALVE GASKET			
418	0CB693	835403V00	REGOLATORE DI PRESSIONE MERTIK	GAS PRESSURE REGULATOR			Including spring (silver for G20, Blue for LPG)
419	0CK186	83040DJ02	TUBO FLESSIBILE 10 1/1-10 2/1	FLEX HOSE 10 1/1-10 2/1		X	m;n;o;p;q;r;s; t;u;v;w;x
419	0CK187	83040D901	TUBO FLESSIBILE 6 1/1-6 2/1	FLEX HOSE 6 1/1-6 2/1		X	a;b;c;d;e;f;g; h;i;j;k;l
420	0CK072	569400Q00	KIT TENUTA ALBERO MOTORE	MOTOR SHAFT SEALING KIT		X	
420a	0TTD1C	X214437000	PRIGIONIERO PT M4X12 -A2-50 EN ISO 13918	THREADED STUD PT M4X12 -A2-50 EN ISO 13918			
421	0CB248	543831901	GUARNIZIONE	GASKET		X	
422	0CK109	501400P01	FLANGIA CAMINO 6 1/1-10 1/1	CHIMNEY FLANGE 6 1/1-10 1/1			
422	0CK110	501400Q02	FLANGIA CAMINO 6 2/1-10 2/1	CHIMNEY FLANGE 6 2/1-10 2/1			
423	0C1057	835859601	VALVOLA GAS 50 Hz	GAS VALVE 50 Hz	X		For 50 Hz Order KIT 0CBAN9
423	0C1879	835867200	VALVOLA GAS 60 Hz	GAS VALVE 60 Hz	X		For 60 Hz Order KIT 0CBAKU
424	052671	515801715	TENUTA BICONICA	BICONICAL SEALING		X	
425	0C1058	516847000	DADO 3/4"	NUT 3/4"		X	

SKYLINE							
Pos	Spare part Code	Factory code	Descrizione	Description	V	W & T	Ref./Notes
426	0CK315	805409Z02	RIBALTA GAS 06-10 CON BOILER	MANIFOLD 06-10 WITH BOILER			c;d;e;i;-j;k;o;p;q;u;v;w
426	0CK316	80540BW00	RIBALTA GAS 06-10 SENZA BOILER	MANIFOLD 06-10 WITHOUT BOILER			a;b;f;g;h;l;m;n;r;s;t;x
426	0CK405	80540BM01	RIBALTA GAS 06-10 CON BOILER	MANIFOLD 06-10 WITH BOILER			c;d;e;i;j;k;o;p;q;u;v;w US
426	*	80540BX01	RIBALTA GAS 06-10 SENZA BOILER	MANIFOLD 06-10 WITHOUT BOILER			a;b;f;g;h;l;m;n;r;s;t;x US
427	006451	147018082	NASTRO ADESIVO ALLUMINATO	ALLUMINIUM ADHESIVE TAPE		X	
428	0CK286	835403Z02	BRUCIATORE CELLA 6 1/1-10 1/1	CAVITY BURNER 6 1/1-10 1/1	X		a;b;c;d;e;f;m;n;o;p;q;r Order KIT OCBAKR
428	0CK287	835404001	BRUCIATORE CELLA 6 2/1-10 2/1	CAVITY BURNER 6 2/1-10 2/1	X		g;h;i;-j;k;l;s;t;u;v;w;x Order KIT OCBAKT
429	0CK403	624400P01	TRASFORMATORE TOROIDALE 550VA	TRANSFORMER 550 VA			100-120-200-208-220-230-240;V
430	0CK185	83040DB01	TUBO FLESSIBILE 10 1/1-10 2/1	FLEX HOSE 10 1/1-10 2/1		X	m;n;o;p;q;r;s;t;u;v;w;x
430	0CK9D3	83040NY00	TUBO FLESSIBILE 6 1/1-6 2/1	FLEX HOSE 6 1/1-6 2/1		X	a;b;c;d;e;f;g;h;i;j;k;l
432	0CK115	543402J01	GUARNIZIONE BRUCIATORE	BURNER GASKET	X	X	a;b;c;d;e;f;m;n;o;p;q;r
432	0CK116	543402L02	GUARNIZ. BRUCIATORE 6 2/1-10 2/1	BURNER GASKET 6 2/1-10 2/1	X	X	g;h;i;-j;k;l;s;t;u;v;w;x
433	0CK273	83040CD04	CAND. ACC.NE CELLA 6 1/1-10 1/1	CAVITY IGNITION ROD 6 1/1-10 1/1	X	X	a;b;c;d;e;f;m;n;o;p;q;r Order KIT OCBAN2
433	0CK279	83040GM01	CAND. ACC.NE CELLA 6 2/1-10 2/1	CAVITY IGNITION ROD 6 2/1-10 2/1	X	X	g;h;i;j;k;l;s;t;u;v;w;x Order KIT OCBAN3
434	0CK150	611400C02	MOTORE FIR 750W	FIR MOTOR 750W	X		g;h;i;j;k;l;s;t;u;v;w;x Order KIT OCBAMZ
434	0CK422	611400B03	MOTORE FIR 450W	FIR MOTOR 450W	X		a;b;c;d;e;f;m;n;o;p;q;r Order KIT OCBAN0
435	0CK871	541403900	TEGOLO PARAGOCCE	DRIP PROTECTION			
436	0CK200	504409J00	VENTOLA GN 1/1	FAN GN1/1			a;b;c;d;e;f;m;n;o;p;q;r
436	0CK201	504409K00	VENTOLA GN 2/1	FAN GN 2/1			g;h;i;-j;k;l;s;t;u;v;w;x
437	<b>0CK164</b>	<b>83040DD04</b>	<b>SCAMBIATORE 6 1/1</b>	<b>HEAT EXCHANGER 6 1/1</b>	<b>X</b>		<b>a;b;c;d;e;f Order KIT OCBAKX</b>
437	0CK165	83040DG03	SCAMBIATORE 6 2/1	HEAT EXCHANGER 6 2/1	X		g;h;i;j;k;l Order KIT OCBAKY
437	<b>0CK163</b>	<b>83040DF04</b>	<b>SCAMBIATORE 10 1/1</b>	<b>HEAT EXCHANGER 10 1/1</b>	<b>X</b>		<b>m;n;o;p;q;r Order KIT OCBAKV</b>
437	0CK491	83040JV02	SCAMBIATORE 10 2/1	HEAT EXCHANGER 10 2/1	X		s;t;u;v;w;x Order KIT OCBAL0

SKYLINE

Pos	Spare part Code	Factory code	Descrizione	Description	V	W & T	Ref./Notes
438	OCK122	569400X00	GUARNIZ. SCAMBIATORE 6 1/1-10 1/1	HEAT EXCHANG. GASKET 6 1/1-10 1/1	X		a;b;c;d;e;f;m; n;o;p;q;r
438	OCK123	569400Y00	GUARNIZ. SCAMBIATORE 6 2/1-10 2/1	HEAT EXCHANG. GASKET 6 2/1-10 2/1	X		g;h;i;- j;k;l;s;t;u;v;w;x
439	OCK111	501400M01	FLANGIA SCAMBIATORE 6 1/1-10 1/1	HEAT EXCHANG. FLANGE 6 1/1-10 1/1	X		a;b;c;d;e;f;m; n;o;p;q;r
439	OCK112	501400N01	FLANGIA SCAMBIATORE 6 2/1-10 2/1	HEAT EXCHANG. FLANGE 6 2/1-10 2/1	X		g;h;i;- j;k;l;s;t;u;v;w;x
440	OCK117	569400Z00	GUARNIZIONE 6 1/1-10 1/1	GASKET 6 1/1-10 1/1		X	a;b;c;d;e;f;m; n;o;p;q;r
440	OCK118	569401000	GUARNIZIONE 6 2/1-10 2/1	GASKET 6 2/1-10 2/1		X	g;h;i;- j;k;l;s;t;u;v;w;x
441	OCK147	514406Q00	MOLLA	SPRING		X	
443	OCK309	217016205	VITE TENUTA VENTOLA	FAN SCREW		X	
444	OC4260	624810801	CENTRALINA CONTROLLO FIAMMA	FLAME CONTROL DEVICE	X		
445	OCK310	206300900	RONDELLA	WASHER		X	
446	OCK216	514404Z03	PERNO SUPPORTO MOTORE	MOTOR PIN SUPPORT			
447	OCK592	9F92263600	KIT SCARICO ACCIAIO	STEEL PIPES			
448	OCK593	9F92263700	KIT SCARICO PLASTICA	PLASTIC PIPES			

SKYLINE – KIT DI MANUTENZIONE – MAINTENANCE KIT

Pos	Spare Part Code KIT	Description KIT	Spare Part Code	S.P. Q.ty	Spare part position	Spare part Description	Ref./Note	Time/Cycles (hours)	Every (months)
PPM1	0CK891	6 GRIDS GN 1/1; PPM KIT	0CK222	1	115	DOOR GASKET	a; b; c; d; e; f	3200	12
			0CK226	1	118	AIR FILTER			
PPM2	0CK892	6 GRIDS GN 2/1; PPM KIT	0CK121	1	115	OVEN DOOR GASKET	g; h; i; j; k; l	3200	12
			0CK226	1	118	AIR FILTER			
PPM3	0CK893	10 GRIDS GN 1/1; PPM KIT	0CK120	1	115	OVEN DOOR GASKET	m; n; o; p; q; r	3200	12
			0CK226	1	118	AIR FILTER			
PPM4	0CK894	10 GRIDS GN 2/1; PPM KIT	0CK223	1	115	DOOR GASKET	s; t; u; v; w; x	3200	12
			0CK226	1	118	AIR FILTER			
PPM5	0CK360	SKL OV PM KIT 1	0CK120	1	115	DOOR GASKET	m; n; o; p; q; r	3200	12
			0CK226	1	118	AIR FILTER			
			0CK195	1	125	CHECK VALVE			
			0CK323	1	131	BUSH IGUS			
			0CK119	2	403	IGNITION ROD GASKET			
			0CK115	2	405-432	BURNER GASKET			
PPM6	0CK361	SKL OV PM KIT 2	0CK121	1	115	DOOR GASKET	g; h; i; j; k; l	3200	12
			0CK226	1	118	AIR FILTER			
			0CK195	1	125	CHECK VALVE			
			0CK323	1	131	BUSH IGUS			
			0CK119	2	403	IGNITION ROD GASKET			
			0CK115	2	405-432	BURNER GASKET			
PPM7	0CK362	SKL OV PM KIT 3	0CK222	1	115	DOOR GASKET	a; b; c; d; e; f	3200	12
			0CK226	1	118	AIR FILTER			
			0CK195	1	125	CHECK VALVE			
			0CK323	1	131	BUSH IGUS			
			0CK119	2	403	IGNITION ROD GASKET			
			0CK115	2	405-432	BURNER GASKET			
PPM8	0CK363	SKL OV PM KIT 4	0CK223	1	115	DOOR GASKET	s; t; u; v; w; x	3200	12
			0CK226	1	118	AIR FILTER			
			0CK195	1	125	CHECK VALVE			
			0CK323	1	131	BUSH IGUS			
			0CK119	2	403	IGNITION ROD GASKET			
			0CK115	2	405-432	BURNER GASKET			
PPM9	0CK364	SKL OV PM KIT 5	0CK120	1	115	DOOR GASKET	m; n; o; p; q; r	9600	36
			0CK226	1	118	AIR FILTER			
			0CK195	1	125	CHECK VALVE			
			0CK323	1	131	BUSH IGUS			
			0CK119	2	403	IGNITION ROD GASKET			
			0CK115	2	405-432	BURNER GASKET			
			0CK116	2	405-432	BURNER GASKET			
			0CK143	1	111	CLOSING MECHANISM			
			0CK087	1	313	CYLINDER FOR TABS			
0CK322	1	357	CUP TANK ASSEMBLY						

SKYLINE – KIT DI MANUTENZIONE – MAINTENANCE KIT

Pos	Spare Part Code KIT	Description KIT	Spare Part Code	S.P. Q.ty	Spare part position	Spare part Description	Ref./Note	Time/Cycles (hours)	Every (months)
PPM10	0CK365	SKL OV PM KIT 6	0CK121	1	115	DOOR GASKET	g; h; i; j; k; l	9600	36
			0CK226	1	118	AIR FILTER			
			0CK195	1	125	CHECK VALVE			
			0CK323	1	131	BUSH IGUS			
			0CK119	2	403	IGNITION ROD GASKET			
			0CK115	2	405-432	BURNER GASKET			
			0CK116	2	405-432	BURNER GASKET			
			0CK143	1	111	CLOSING MECHANISM			
			0CK087	1	313	CYLINDER FOR TABS			
			0CK322	1	357	CUP TANK ASSEMBLY			
PPM11	0CK366	SKL OV PM KIT 7	0CK222	1	115	DOOR GASKET	a; b; c; d; e; f	9600	36
			0CK226	1	118	AIR FILTER			
			0CK195	1	125	CHECK VALVE			
			0CK323	1	131	BUSH IGUS			
			0CK119	2	403	IGNITION ROD GASKET			
			0CK115	2	405-432	BURNER GASKET			
			0CK116	2	405-432	BURNER GASKET			
			0CK143	1	111	CLOSING MECHANISM			
			0CK087	1	313	CYLINDER FOR TABS			
			0CK322	1	357	CUP TANK ASSEMBLY			
PPM12	0CK367	SKL OV PM KIT 8	0CK223	1	115	DOOR GASKET	s; t; u; v; w; x	9600	36
			0CK226	1	118	AIR FILTER			
			0CK195	1	125	CHECK VALVE			
			0CK323	1	131	BUSH IGUS			
			0CK119	2	403	IGNITION ROD GASKET			
			0CK115	2	405-432	BURNER GASKET			
			0CK116	2	405-432	BURNER GASKET			
			0CK143	1	111	CLOSING MECHANISM			
			0CK087	1	313	CYLINDER FOR TABS			
			0CK322	1	357	CUP TANK ASSEMBLY			
PPM13	0CK368	SKL OV PM KIT 9	0CK120	1	115	DOOR GASKET	m; n; r	12800	48
			0CK226	1	118	AIR FILTER			
			0CK195	1	125	CHECK VALVE			
			0CK323	1	131	BUSH IGUS			
			0CK119	2	403	IGNITION ROD GASKET			
			0CK115	2	405-432	BURNER GASKET			
			0CK116	2	405-432	BURNER GASKET			
			0C4260	1	444	FLAME CONTROL DEVICE			
PPM14	0CK369	SKL OV PM KIT 10	0CK120	1	115	DOOR GASKET	o; p; q	12800	48
			0CK226	1	118	AIR FILTER			
			0CK195	1	125	CHECK VALVE			
			0CK323	1	131	BUSH IGUS			
			0CK119	2	403	IGNITION ROD GASKET			
			0CK115	2	405-432	BURNER GASKET			
			0CK116	2	405-432	BURNER GASKET			
			0C4260	2	444	FLAME CONTROL DEVICE			

SKYLINE – KIT DI MANUTENZIONE – MAINTENANCE KIT

Pos	Spare Part Code KIT	Description KIT	Spare Part Code	S.P. Q.ty	Spare part position	Spare part Description	Ref./Note	Time/Cycles (hours)	Every (months)
PPM15	0CK370	SKL OV PM KIT 11	0CK121	1	115	DOOR GASKET	g; h; l	12800	48
			0CK226	1	118	AIR FILTER			
			0CK195	1	125	CHECK VALVE			
			0CK323	1	131	BUSH IGUS			
			0CK119	2	403	IGNITION ROD GASKET			
			0CK115	2	405-432	BURNER GASKET			
			0CK116	2	405-432	BURNER GASKET			
PPM16	0CK371	SKL OV PM KIT 12	0CK121	1	115	DOOR GASKET	i; j; k	12800	48
			0CK226	1	118	AIR FILTER			
			0CK195	1	125	CHECK VALVE			
			0CK323	1	131	BUSH IGUS			
			0CK119	2	403	IGNITION ROD GASKET			
			0CK115	2	405-432	BURNER GASKET			
			0CK116	2	405-432	BURNER GASKET			
PPM17	0CK372	SKL OV PM KIT 13	0CK222	1	115	DOOR GASKET	a; b; f	12800	48
			0CK226	1	118	AIR FILTER			
			0CK195	1	125	CHECK VALVE			
			0CK323	1	131	BUSH IGUS			
			0CK119	2	403	IGNITION ROD GASKET			
			0CK115	2	405-432	BURNER GASKET			
			0CK116	2	405-432	BURNER GASKET			
PPM18	0CK373	SKL OV PM KIT 14	0CK222	1	115	DOOR GASKET	c; d; e	12800	48
			0CK226	1	118	AIR FILTER			
			0CK195	1	125	CHECK VALVE			
			0CK323	1	131	BUSH IGUS			
			0CK119	2	403	IGNITION ROD GASKET			
			0CK115	2	405-432	BURNER GASKET			
			0CK116	2	405-432	BURNER GASKET			
PPM19	0CK374	SKL OV PM KIT 15	0CK223	1	115	DOOR GASKET	s; t; x	12800	48
			0CK226	1	118	AIR FILTER			
			0CK195	1	125	CHECK VALVE			
			0CK323	1	131	BUSH IGUS			
			0CK119	2	403	IGNITION ROD GASKET			
			0CK115	2	405-432	BURNER GASKET			
			0CK116	2	405-432	BURNER GASKET			
PPM20	0CK375	SKL OV PM KIT 16	0CK223	1	115	DOOR GASKET	u; v; w	12800	48
			0CK226	1	118	AIR FILTER			
			0CK195	1	125	CHECK VALVE			
			0CK323	1	131	BUSH IGUS			
			0CK119	2	403	IGNITION ROD GASKET			
			0CK115	2	405-432	BURNER GASKET			
			0CK116	2	405-432	BURNER GASKET			
			0C4260	2	444	FLAME CONTROL DEVICE			

SKYLINE – KIT DI MANUTENZIONE – MAINTENANCE KIT

Pos	Spare Part Code KIT	Description KIT	Spare Part Code	S.P. Q.ty	Spare part position	Spare part Description	Ref./Note	Time/Cycles (hours)	Every (months)
PPM21	0CK376	SKL OV PM KIT 17	0CK120	1	115	DOOR GASKET	m; n; o; p; q; r	16000	60
			0CK226	1	118	AIR FILTER			
			0CK195	1	125	CHECK VALVE			
			0CK323	1	131	BUSH IGUS			
			0CK193	1	329	MOTORIZED BALL VALVE			
			0CK119	2	403	IGNITION ROD GASKET			
			0CK115	2	405-432	BURNER GASKET			
			0CK116	2	405-432	BURNER GASKET			
			0CK156	1	300	CLEANING PUMP 220-240V 50/60HZ			
PPM22	0CK377	SKL OV PM KIT 18	0CK121	1	115	DOOR GASKET	g; h; i; j; k; l	16000	60
			0CK226	1	118	AIR FILTER			
			0CK195	1	125	CHECK VALVE			
			0CK323	1	131	BUSH IGUS			
			0CK193	1	329	MOTORIZED BALL VALVE			
			0CK119	2	403	IGNITION ROD GASKET			
			0CK115	2	405-432	BURNER GASKET			
			0CK116	2	405-432	BURNER GASKET			
			0CK156	1	300	CLEANING PUMP 220-240V 50/60HZ			
PPM23	0CK378	SKL OV PM KIT 19	0CK222	1	115	DOOR GASKET	a; b; c; d; e; f	16000	60
			0CK226	1	118	AIR FILTER			
			0CK195	1	125	CHECK VALVE			
			0CK323	1	131	BUSH IGUS			
			0CK193	1	329	MOTORIZED BALL VALVE			
			0CK119	2	403	IGNITION ROD GASKET			
			0CK115	2	405-432	BURNER GASKET			
			0CK116	2	405-432	BURNER GASKET			
			0CK156	1	300	CLEANING PUMP 220-240V 50/60HZ			
PPM24	0CK379	SKL OV PM KIT 20	0CK223	1	115	DOOR GASKET	s; t; u; v; w; x	16000	60
			0CK226	1	118	AIR FILTER			
			0CK195	1	125	CHECK VALVE			
			0CK323	1	131	BUSH IGUS			
			0CK193	1	329	MOTORIZED BALL VALVE			
			0CK119	2	403	IGNITION ROD GASKET			
			0CK115	2	405-432	BURNER GASKET			
			0CK116	2	405-432	BURNER GASKET			
			0CK156	1	300	CLEANING PUMP 220-240V 50/60HZ			

Electrolux Professional SpA  
Viale Treviso, 15  
33170 Pordenone, ITALY  
Fax (+39) 0434 380 201  
<https://www.electroluxprofessional.com>  
<https://webgate.electroluxprofessional.com>