

SKYLINE GAS OVEN FORNO GAS SKYLINE

| Type Reference | Ref | Page | Description | note |
|----------------|-----|------|---|------|
| COG61C20 | a | | 6 grids GN 1/1 - touch convect - double glass - Standard | |
| COG61C30 | b | | 6 grids GN 1/1 - touch convect - triple glass - Standard | |
| COG61D20 | c | | 6 grids GN 1/1 - digital steam - double glass - Standard | |
| COG61T20 | d | | 6 grids GN 1/1 - touch steam - double glass - Standard | |
| COG61T30 | e | | 6 grids GN 1/1 - touch steam - triple glass - Standard | |
| COG61V20 | f | | 6 grids GN 1/1 - digital convect - double glass - Standard | |
| COG62C20 | g | | 6 grids GN 2/1 - touch convect - double glass - Standard | |
| COG62C30 | h | | 6 grids GN 2/1 - touch convect - triple glass - Standard | |
| COG62D20 | i | | 6 grids GN 2/1 - digital steam - double glass - Standard | |
| COG62T20 | j | | 6 grids GN 2/1 - touch steam - double glass - Standard | |
| COG62T30 | k | | 6 grids GN 2/1 - touch steam - triple glass - Standard | |
| COG62V20 | l | | 6 grids GN 2/1 - digital convect - double glass - Standard | |
| COG11C20 | m | | 10 grids GN 1/1 - touch convect - double glass - Standard | |
| COG11C30 | n | | 10 grids GN 1/1 - touch convect - triple glass - Standard | |
| COG11D20 | o | | 10 grids GN 1/1 - digital steam - double glass - Standard | |
| COG11T20 | p | | 10 grids GN 1/1 - touch steam - double glass - Standard | |
| COG11T30 | q | | 10 grids GN 1/1 - touch steam - triple glass - Standard | |
| COG11V20 | r | | 10 grids GN 1/1 - digital convect - double glass - Standard | |
| COG12C20 | s | | 10 grids GN 2/1 - touch convect - double glass - Standard | |
| COG12C30 | t | | 10 grids GN 2/1 - touch convect - triple glass - Standard | |
| COG12D20 | u | | 10 grids GN 2/1 - digital steam - double glass - Standard | |
| COG12T20 | v | | 10 grids GN 2/1 - touch steam - double glass - Standard | |
| COG12T30 | w | | 10 grids GN 2/1 - touch steam - triple glass - Standard | |
| COG12V20 | x | | 10 grids GN 2/1 - digital convect - double glass - Standard | |

Index

Description Type Reference/Descrizione Type Reference
Oven cabinet and door/Cella forno e porta
Electrical components/Componenti elettrici
Water system/Impianto idraulico
Boiler
Nozzles tables/Tabelle ugelli
Spare parts list / Lista ricambi
Maintenance kit / Kit di manutenzione

Page

2
3
4
5
6
7
8-17
18-23

Bold=last change / Grassetto =ultima modifica

V = Vital spare part/Ricambio vitale
W&T = Wear&Tear and Consumable/
Ricambio usurabile e consumabile
S = Suggested/Ricambio suggerito

Rev. 5

| | | | |
|---------------------------------------|--------------------------------|---------|-------------------------|
| From Ser. Nr.... Up to Ser. Nr.... | Ed. 2019-03 Updated 2020-10 | Page: 1 | Doc No:595403G00 |
|---------------------------------------|--------------------------------|---------|-------------------------|

COG * * *

_____ K = Smoker/Aromatizer
0 = Standard

T2 = touch steam - double glass

T3 = touch steam - triple glass

C2 = touch convect – double glass

_____ C3 = touch convect – triple glass

D2 = digital steam – double glass

D3 = digital steam – triple glass

V2 = digital convect – double glass

V3 = digital convect – triple glass

61 = 6 grids GN1/1

62 = 6 grids GN2/1

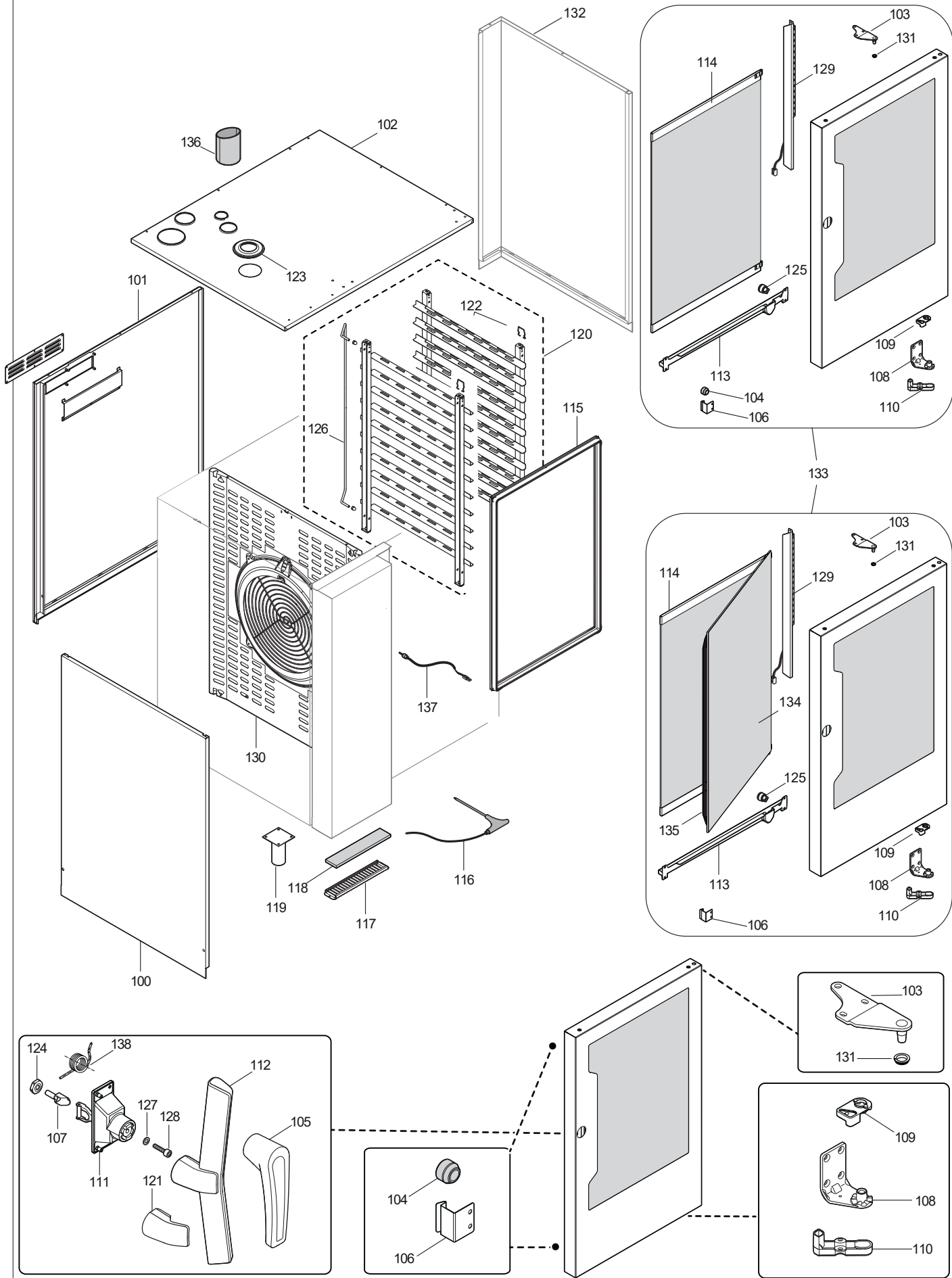
_____ 11 = 10 grids GN1/1

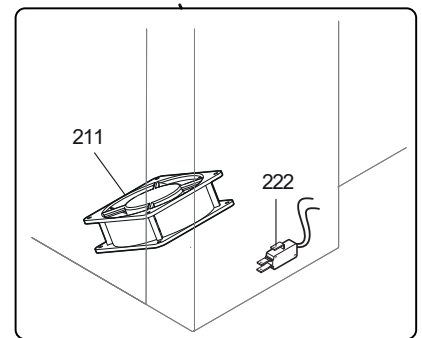
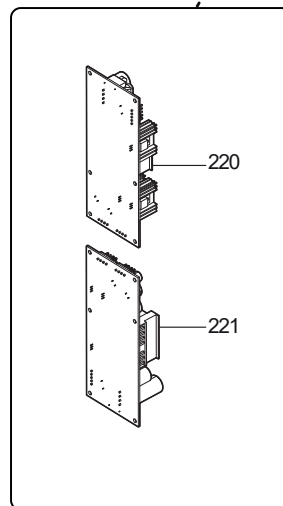
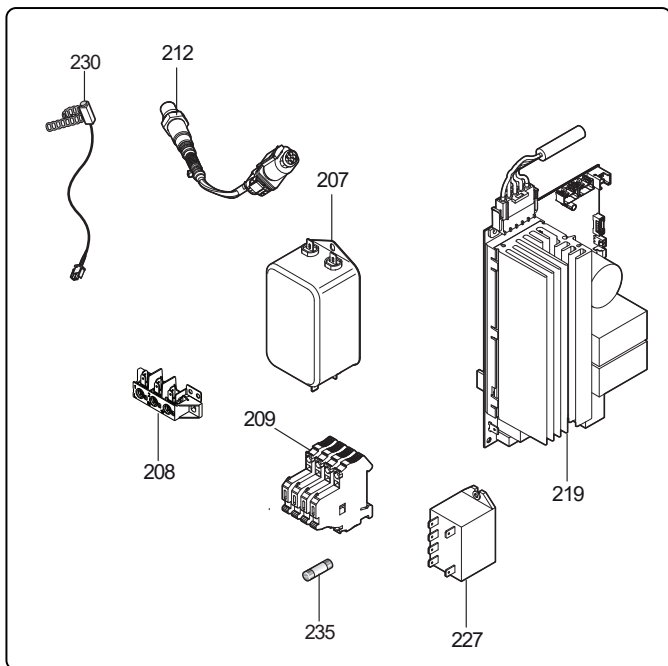
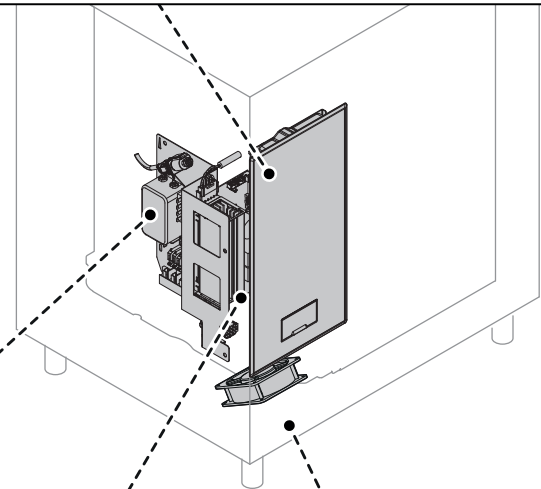
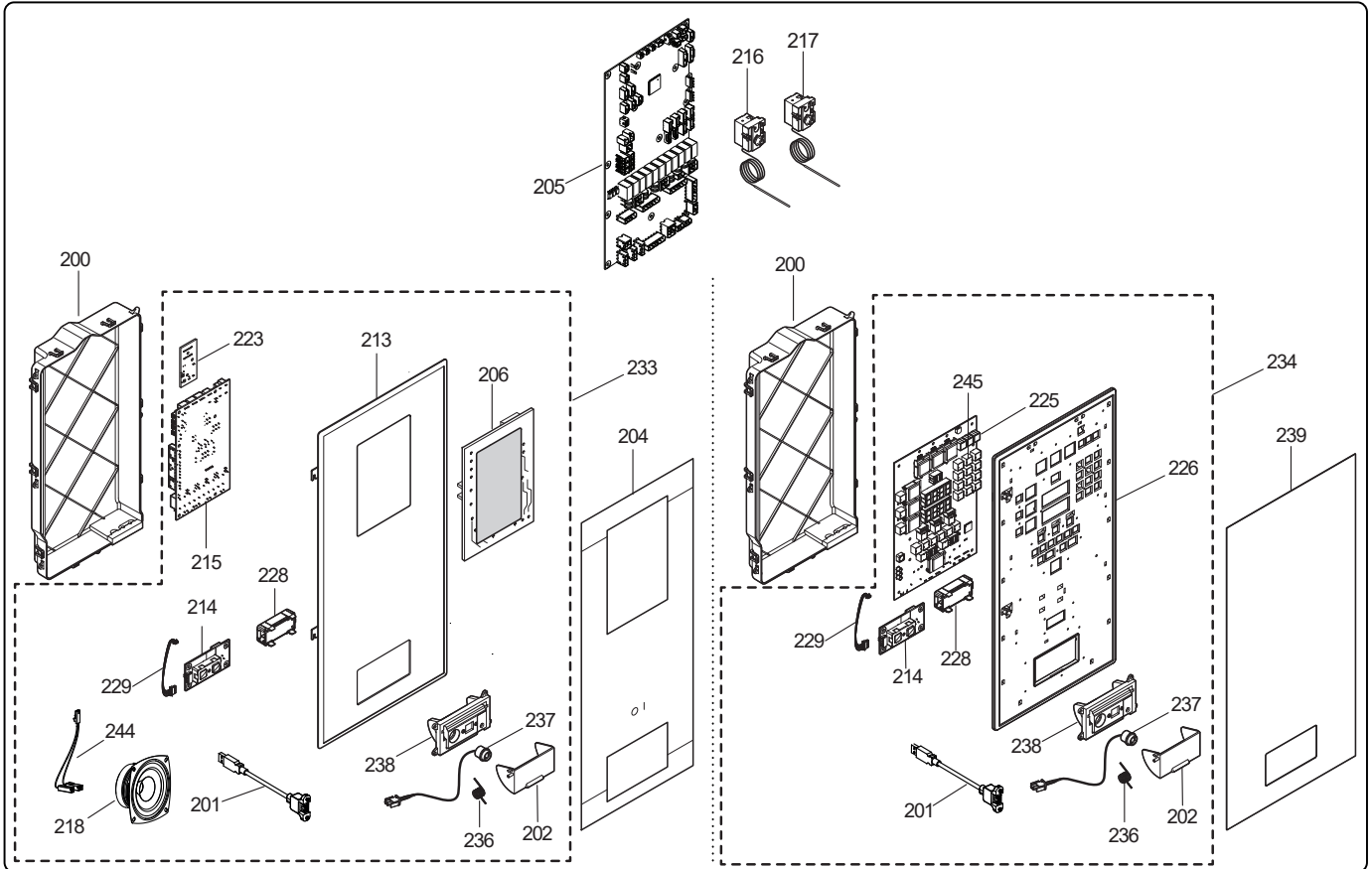
12 = 10 grids GN2/1

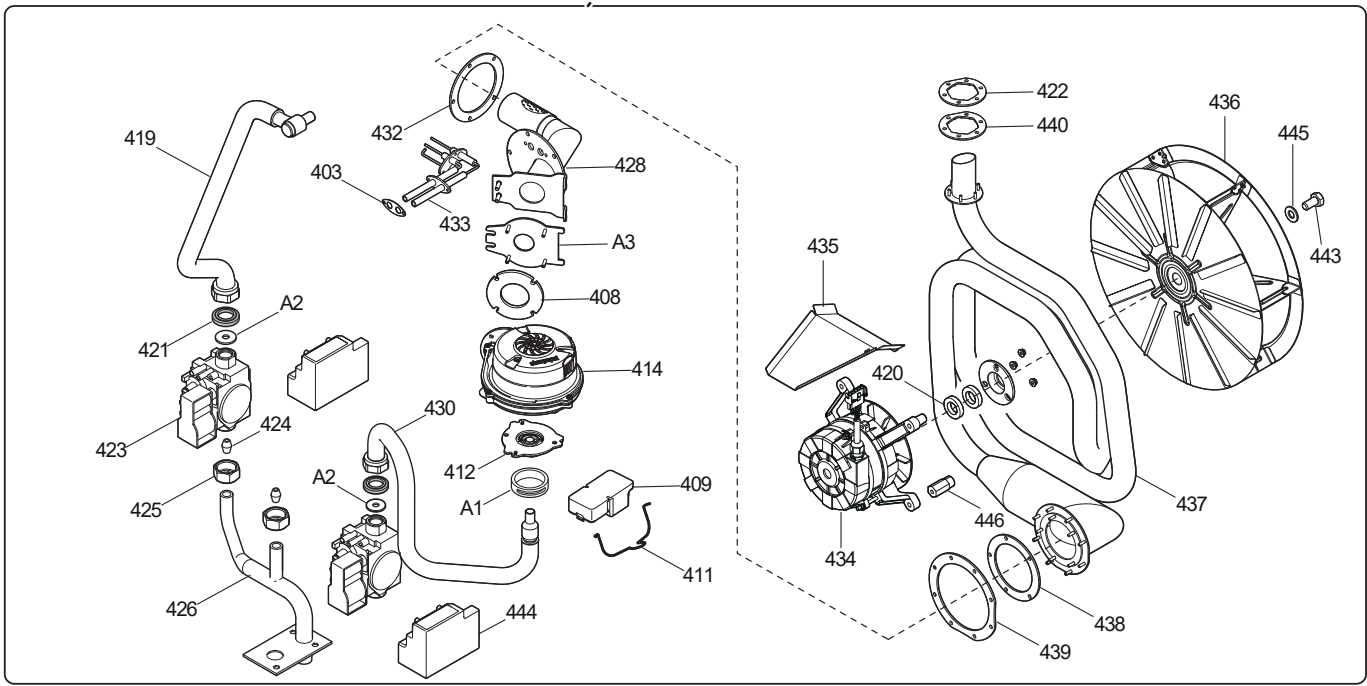
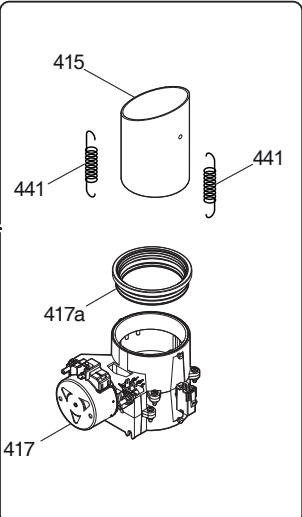
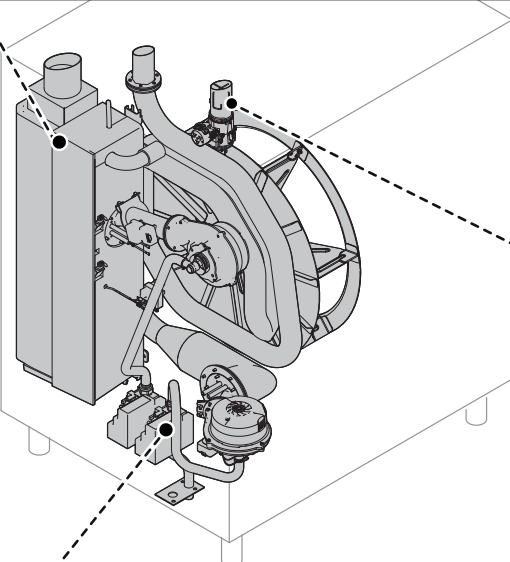
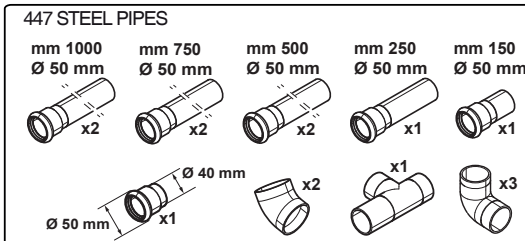
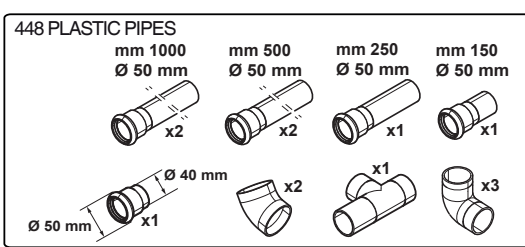
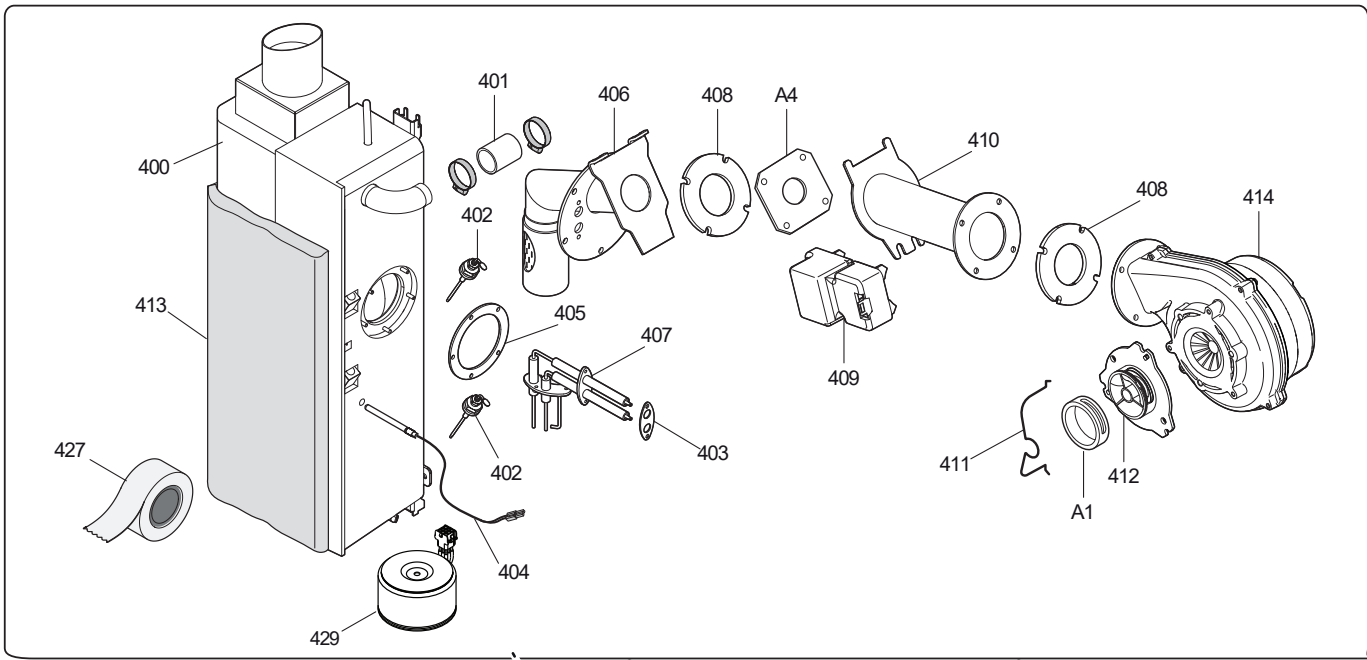
21 = 20 grids GN1/1

22 = 20 grids G21/1

_____ COG = Combi Oven Gas







| 6 GN 1/1 | | | | | | |
|-----------|---------------------------------|----------------------------|------------------------|------------------------|-------------------|-------------|
| | AERATORE/AERATOR | | DIAFRAMMA/DIAPHRAGM | | FLANGIA/FLANGE | |
| GAS | A1 - CELLA/CAVITY | A1 - BOILER | A2 - CELLA/CAVITY | A2 - BOILER | A3 - CELLA/CAVITY | A4 - BOILER |
| G20 | (BIANCO/WHITE) | (BIANCO/WHITE) | 0CK054(ø 4,70) | 0CK054(ø 4,70) | (ø 14) | (ø 14) |
| G25 | (BIANCO/WHITE) | (BIANCO/WHITE) | 0C1162 (ø 5,30) | 0CK057 (ø 5,20) | (ø 14) | (ø 14) |
| G25.1 | (BIANCO/WHITE) | (BIANCO/WHITE) | 0C2442 (ø 5,50) | 0CK059 (ø 5,40) | (ø 14) | (ø 14) |
| G25.3 | (BIANCO/WHITE) | (BIANCO/WHITE) | 0C1162 (ø 5,30) | 0CK057 (ø 5,20) | (ø 14) | (ø 14) |
| G30 | (BIANCO/WHITE) | (BIANCO/WHITE) | 0CK049 (ø 3,80) | 0CK049 (ø 3,80) | (ø 14) | (ø 14) |
| G31/LPG | (BIANCO/WHITE) | (BIANCO/WHITE) | 0CK407 (ø 4,05) | 0CK050 (ø 3,95) | (ø 14) | (ø 14) |
| 6 GN 2/1 | | | | | | |
| | AERATORE/AERATOR | | DIAFRAMMA/DIAPHRAGM | | FLANGIA/FLANGE | |
| GAS | A1 - CELLA/CAVITY | A1 - BOILER | A2 - CELLA/CAVITY | A2 - BOILER | A3 - CELLA/CAVITY | A4 - BOILER |
| G20 | (ARANCIO/ORANGE) | (GIALLA/YELLOW) | 0C2442 (ø 5,50) | 0CK060 (ø 5,45) | (ø 22) | (ø 15) |
| G25 | (ARANCIO/ORANGE) | (GIALLA/YELLOW) | 0CK063 (ø 6,30) | 0CK062 (ø 6,10) | (ø 22) | (ø 15) |
| G25.1 | (ARANCIO/ORANGE) | (GIALLA/YELLOW) | 0CK064 (ø 6,60) | 0C1161 (ø 6,50) | (ø 22) | (ø 15) |
| G25.3 | (ARANCIO/ORANGE) | (GIALLA/YELLOW) | 0CK063 (ø 6,30) | 0CK062 (ø 6,10) | (ø 22) | (ø 15) |
| G30 | (ARANCIO/ORANGE) | (GIALLA/YELLOW) | 0CK052 (ø 4,40) | 0CK051 (ø 4,25) | (ø 22) | (ø 15) |
| G31/LPG | (ARANCIO/ORANGE) | (GIALLA/YELLOW) | 0CK053 (ø 4,60) | 0CK053 (ø 4,60) | (ø 22) | (ø 15) |
| 10 GN 1/1 | | | | | | |
| | AERATORE/AERATOR | | DIAFRAMMA/DIAPHRAGM | | FLANGIA/FLANGE | |
| GAS | A1 - CELLA/CAVITY | A1 - BOILER | A2 - CELLA/CAVITY | A2 - BOILER | A3 - CELLA/CAVITY | A4 - BOILER |
| G20 | 0CK526 (BIANCO/WHITE) | 0C4630 (FUCCIA/FUCHSIA) | 0C4384 (ø 4,75) | 0CK061 (ø 6,05) | (ø 21) | (ø 21) |
| G25 | 0CK526 (BIANCO/WHITE) | 0C4630 (FUCCIA/FUCHSIA) | 0CK058 (ø 5,35) | 0CK065 (ø 6,80) | (ø 21) | (ø 21) |
| G25.1 | 0CK526 (BIANCO/WHITE) | 0C4630 (FUCCIA/FUCHSIA) | 0CK529 (ø 5,55) | 0C9507(ø 7,25) | (ø 21) | (ø 21) |
| G25.3 | 0CK526 (BIANCO/WHITE) | 0C4630 (FUCCIA/FUCHSIA) | 0CK057 (ø 5,20) | 0CK530 (ø 6,85) | (ø 21) | (ø 21) |
| G30 | 0CK526 (BIANCO/WHITE) | 0C4630 (FUCCIA/FUCHSIA) | 0CK048(ø 3,75) | 0C4384 (ø 4,75) | (ø 21) | (ø 21) |
| G31/LPG | 0CK526 (BIANCO/WHITE) | 0C4630 (FUCCIA/FUCHSIA) | 0CK050 (ø 3,95) | 0CK056 (ø 5,15) | (ø 21) | (ø 21) |
| 10 GN 2/1 | | | | | | |
| | AERATORE/AERATOR | | DIAFRAMMA/DIAPHRAGM | | FLANGIA/FLANGE | |
| GAS | A1 - CELLA/CAVITY | A1 - BOILER | A2 - CELLA/CAVITY | A2 - BOILER | A3 - CELLA/CAVITY | A4 - BOILER |
| G20 | 0C1045 (ROSSA/RED) | 0C4630 (FUCCIA/FUCHSIA) | 0CK064 (ø 6,60) | 0CK063 (ø 6,30) | (ø 26) | (ø 23) |
| G25 | 0C1045 (ROSSA/RED) | 0C4630 (FUCCIA/FUCHSIA) | 0CK069 (ø 7,60) | 0CK067 (ø 7,20) | (ø 26) | (ø 23) |
| G25.1 | 0C1045 (ROSSA/RED) | 0C4630 (FUCCIA/FUCHSIA) | 0CK533 (ø 7,90) | 0C2444 (ø 7,50) | (ø 26) | (ø 23) |
| G25.3 | 0C1045 (ROSSA/RED) | 0C4630 (FUCCIA/FUCHSIA) | 0CK068(ø 7,40) | 0CK066 (ø 7,10) | (ø 26) | (ø 23) |
| G30 | 0C1045 (ROSSA/RED) | 0C4630 (FUCCIA/FUCHSIA) | 0C4385 (ø 5,00) | 0CK055 (ø 4,80) | (ø 26) | (ø 23) |
| G31/LPG | 0C1045 (ROSSA/RED) | 0C4630 (FUCCIA/FUCHSIA) | 0C2442 (ø 5,50) | 0CK057 (ø 5,20) | (ø 26) | (ø 23) |

| SKYLINE | | | | | | | | |
|------------|-----------------|------------------|-------------------------------------|--------------------------------|----------|----------|---|---------------------------------|
| Pos | Spare part Code | Factory code | Descrizione | Description | V | W & T | S | Ref./Notes |
| 100 | 0CK103 | 503404P02 | FIANCO SINISTRO 6 1/1 | LEFT PANEL 6 1/1 | | | | a b c d e f up to 2010/12 |
| 100 | 0CK591 | 503404P03 | FIANCO SINISTRO 6 1/1 | LEFT PANEL 6 1/1 | | | | a b c d e f from 2020/13 |
| 100 | 0CK102 | 503404Q02 | FIANCO SINISTRO 10 1/1 | LEFT PANEL 10 1/1 | | | | m n o p q r up to 2010/12 |
| 100 | 0CK594 | 503404Q03 | FIANCO SINISTRO 10 1/1 | LEFT PANEL 10 1/1 | | | | m n o p q r from 2020/13 |
| 100 | 0CK104 | 503405A03 | FIANCO SINISTRO 6 2/1 | LEFT PANEL 6 2/1 | | | | g h i j k l |
| 100 | 0CK227 | 503405B03 | FIANCO SINISTRO 10 2/1 | LEFT PANEL 10 2/1 | | | | s t u v w x |
| 101 | 0CK293 | 503404R03 | SCHIENALE FORNO 6 1/1 | BACK PANEL 6 1/1 | | | | a b c d e f up to 2010/12 |
| 101 | 0CK595 | 503404R04 | SCHIENALE FORNO 6 1/1 | BACK PANEL 6 1/1 | | | | a b c d e f from 2020/13 |
| 101 | 0CK294 | 503404S03 | SCHIENALE FORNO 10 1/1 | BACK PANEL 10 1/1 | | | | m n o p q r up to 2010/12 |
| 101 | 0CK596 | 503404S04 | SCHIENALE FORNO 10 1/1 | BACK PANEL 10 1/1 | | | | m n o p q r from 2020/13 |
| 101 | 0CK295 | 503405604 | SCHIENALE FORNO 6 2/1 | BACK PANEL 6 2/1 | | | | g h i j k l |
| 101 | 0CK296 | 503405704 | SCHIENALE FORNO 10 2/1 | BACK PANEL 10 2/1 | | | | s t u v w x |
| 102 | 0CK094 | 503404D03 | COPERCHIO FORNO CONVEZ. 6 1/1 | TOP PANEL CONVECT 6 1/1 | | | | a b f |
| 102 | 0CK092 | 503405N02 | COPERCHIO FORNO CONVEZ 10 1/1 | TOP PANEL CONVECT 10 1/1 | | | | m n r |
| 102 | 0CK090 | 503405P02 | COPERCHIO FORNO COMBI 6 1/1 | TOP PANEL COMBI 6 1/1 | | | | c d e |
| 102 | 0CK088 | 503405Q02 | COPERCHIO FORNO COMBI 10 1/1 | TOP PANEL COMBI 10 1/1 | | | | o p q |
| 102 | 0CK095 | 503405F02 | COPERCHIO FORNO CONVEZ 6 2/1 | TOP PANEL CONVECT 6 2/1 | | | | g h l |
| 102 | 0CK093 | 503405R01 | COPERCHIO FORNO CONVEZ 10 2/1 | TOP PANEL CONVECT 10 2/1 | | | | s t x |
| 102 | 0CK091 | 503405S02 | COPERCHIO FORNO COMBI 6 2/1 | TOP PANEL COMBI 6 2/1 | | | | i j k |
| 102 | 0CK089 | 503405T02 | COPERCHIO FORNO COMBI 10 2/1 | TOP PANEL COMBI 10 2/1 | | | | u v w |
| 103 | 0C4234 | 806847803 | CERNIERA SUPERIORE | UPPER HINGE | X | X | | RIGHT HINGED |
| 103 | * | 80540DX00 | CERNIERA SUPERIORE PORTA REV | UPPER HINGE FOR REVERSE DOOR | X | X | | LEFT HINGED |
| 104 | 0CK071 | 543401S02 | AMMORTIZZATORE VETRO INTERNO | INNER GLASS DUMPER | | | X | a c d f g i j l m o p r s u v x |
| 105 | 0CK319 | 830409802 | MANIGLIA PORTA | DOOR HANDLE | X | | | |
| 106 | 0CK148 | 50440CX02 | MOLLA FERMAVETRO | INNER GLASS STOPPER | | X | | |
| 107 | 0C4092 | 806859903 | NASELLO CHIUSURA 1-STEP | SINGLE STEP DOOR LATCH | X | X | | |
| 108 | 0CK086 | 510400102 | CERNIERA INFERIORE PORTA | LOWER HINGE | X | X | | RIGHT HINGED |
| 108 | * | 800401Y00 | CERNIERA INFERIORE PORTA REV | LOWER HINGE FOR REVERSE DOOR | X | X | | LEFT HINGED |
| 109 | 0CK158 | 511400N01 | POSIZIONAT. INF.CON FERMO-PORTA | DOOR POSITIONER WITH STOPPER | | | X | RIGHT HINGED |
| 109 | 0CK354 | 511400R00 | POSIZIONAT. INF.CON FERMO-PORTA | DOOR POSITIONER WITH STOPPER | | | X | LEFT HINGED |
| 110 | 0CK160 | 541401R00 | PROTEZIONE CAVETTI LED | LED WIRING PROTECTION | | | | |
| 111 | 0CK143 | 835403C00 | MECCANISMO CHIUSURA PORTA | CLOSING MECHANISM | X | X | | |
| 112 | 0CK297 | 548401U02 | MANIGLIA PORTA | DOOR HANDLE | X | X | | |
| 113 | 0CK205 | 549400W01 | VASCHETTA GN 1/1 | FRONT DRIP TRAY GN 1/1 | | | | |
| 113 | 0CK204 | 549400X01 | VASCHETTA GN 2/1 | FRONT DRIP TRAY GN 2/1 | | | | |
| 114 | 0CK239 | 879402801 | ASSIEME VETRO INTERNO 6 1/1 | INNER GLASS ASSEMBLY 6 1/1 | X | X | | |
| 114 | 0CK081 | 879402901 | ASSIEME VETRO INTERNO 10 1/1 | INNER GLASS ASSEMBLY 10 1/1 | X | X | | |
| 114 | 0CK238 | 879402A01 | ASSIEME VETRO INTERNO 6 2/1 | INNER GLASS ASSEMBLY 6 2/1 | X | X | | |
| 114 | 0CK240 | 879402B01 | ASSIEME VETRO INTERNO 10 2/1 | INNER GLASS ASSEMBLY 10 2/1 | X | X | | |
| 115 | 0CK222 | 543401V01 | GUARNIZIONE CELLA-PORTA 6 1/1 | DOOR GASKET 6 1/1 | X | X | | |
| 115 | 0CK120 | 543401X01 | GUARNIZIONE CELLA-PORTA 10 1/1 | DOOR GASKET 10 1/1 | X | X | | |
| 115 | 0CK121 | 543401W01 | GUARNIZIONE CELLA-PORTA 6 2/1 | DOOR GASKET 6 2/1 | X | X | | |
| 115 | 0CK223 | 543401Y01 | GUARNIZIONE CELLA-PORTA 10 2/1 | DOOR GASKET 10 2/1 | X | X | | |
| 116 | 0CK171 | 83040BW02 | SPILLONE MULTIPOINT 10 1/1 – 10 2/1 | FOOD PROBE MULTIPOINT 10 GRIDS | | | X | |
| 116 | 0CK172 | 83040CX01 | SPILLONE MULTIPOINT 6 1/1 – 6 2/1 | FOOD PROBE MULTIPOINT 6 GRIDS | | | X | |

| SKYLINE | | | | | | | |
|------------|-----------------|-------------------|--|-------------------------------------|---|-------|-------------------------------|
| Pos | Spare part Code | Factory code | Descrizione | Description | V | W & T | S Ref./Notes |
| 116 | 0CK173 | 83040BV01 | SPILLONE SINGLE POINT 10 1/1 – 10 2/1 | FOOD PROBE SINGLE POINT 10 GRIDS | | X | |
| 116 | 0CK174 | 83040CY01 | SPILLONE SINGLE POINT 6 1/1 – 6 2/1 | FOOD PROBE SINGLE POINT 6 GRIDS | | X | |
| 117 | 0CK176 | 503407301 | SUPPORTO FILTRO | FILTER SUPPORT | | | |
| 118 | 0CK226 | 549400U02 | FILTRO ARIA | AIR FILTER | | X | |
| 119 | 0CK154 | 875403K00 | PIEDE DI SERVIZIO INOX | SERVICE FOOT INOX | | | |
| 120 | 0CK076 | 870401W03 | ASSIEME PORTATEGLIE 6 1/1 | TRAY RACK 6 1/1 | | | a b c d e f |
| 120 | 0CK241 | 870401Y03 | ASSIEME PORTATEGLIE 10 1/1 | TRAY RACK 10 1/1 | | | m n o p q r |
| 120 | 0CK078 | 870401X03 | ASSIEME PORTATEGLIE 6 2/1 | TRAY RACK 6 2/1 | | | g h i j k l |
| 120 | 0CK077 | 870401Z03 | ASSIEME PORTATEGLIE 10 2/1 | TRAY RACK 10 2/1 | | | s t u v w x |
| 120 | * | 875404P01 | ASSIEME PORTATEGLIE 6 1/1 | TRAY RACK 6 1/1 | | | a b c d e f BAKERY |
| 120 | 0CK552 | 0870402M01 | ASSIEME PORTATEGLIE 6 1/1 MARINE | MARINE TRAY RACK 6 1/1 | | | a b c d e f MARINE |
| 120 | 0CK551 | 0870402L01 | ASSIEME PORTATEGLIE 10 1/1 MARINE | MARINE TRAY RACK 10 1/1 | | | m n o p q r MARINE |
| 120 | 0CK553 | 0870402N01 | ASSIEME PORTATEGLIE 6 2/1 MARINE | MARINE TRAY RACK 6 2/1 | | | g h i j k l MARINE |
| 120 | 0CK554 | 0870402P01 | ASSIEME PORTATEGLIE 10 2/1 MARINE | MARINE TRAY RACK 10 2/1 | | | s t u v w x MARINE |
| 121 | 0CK331 | 548402700 | COPERCHIETTO MANIGLIA ELUX | ELUX HANDLE COVER | | X | ELECTROLUX |
| 122 | 0CK220 | 500406801 | MOLLETTA FERMATEGLIE | SPRING STOPPER | | X | |
| 123 | 0CK114 | 543402500 | GUARNIZIONE ASPIRAZIONE ARIA | AIR INLET GASKET | | X | |
| 124 | OCA756 | 516896402 | DADO NASELLO | DOOR LATCH NUT | X | X | |
| 125 | 0CK195 | 549401800 | VALVOLA SCARICO VASCHETTA | CHECK VALVE | | X | |
| 126 | 0CK318 | 505406L02 | FERMA TEGLIE POSTERIORE | TRAY STOPPER | | X | a b c d e f g h i j k l |
| 126 | 0CK101 | 505406N01 | FERMA TEGLIE POSTERIORE | TRAY STOPPER | | X | m n o p q r s t u v w x |
| 127 | 0E1331 | 206004105 | ROSETTA | WASHER | | X | |
| 128 | 0C3973 | 214014255 | VITE M6X25 | SCREW M6X25 | | X | |
| 129 | 0CK082 | 805407P02 | BARRA LED | LED BAR | | X | |
| 130 | 0CK152 | 878403604 | PARETE DI ASPIRAZIONE 6 1/1 | SUCTION WALL 6 1/1 | | | a b c d e f |
| 130 | * | 878407A01 | PARETE DI ASPIRAZIONE 6 1/1 | SUCTION WALL 6 1/1 | | | a b c d e f BAKERY |
| 130 | 0CK336 | 878407302 | PARETE DI ASPIRAZIONE 10 1/1 | SUCTION WALL 10 1/1 | | | m n o p q r |
| 130 | * | 878407C01 | PARETE DI ASPIRAZIONE 10 1/1 | SUCTION WALL 10 1/1 | | | m n o p q r BAKEY |
| 130 | 0CK337 | 878407402 | PARETE DI ASPIRAZIONE 6 2/1 | SUCTION WALL 6 2/1 | | | g h i j k l |
| 130 | 0CK151 | 878403804 | PARETE DI ASPIRAZIONE 10 2/1 | SUCTION WALL 10 2/1 | | | s t u v w x |
| 131 | 0CK323 | 04P0187700 | BOCCOLA IGUS 'IGLIDUR MCM-12-02' | BUSH IGUS 'IGLIDUR MCM-12-02' | | X | |
| 132 | 0CK347 | 0503404K04 | FIANCO DESTRO | RIGHT SIDE PANEL | | | a b c d e f |
| 132 | 0CK348 | 0504408304 | FIANCO DESTRO | RIGHT SIDE PANEL | | | g h i j k l |
| 132 | 0CK349 | 0503404L04 | FIANCO DESTRO | RIGHT SIDE PANEL | | | m n o p q r |
| 132 | 0CK350 | 0503405504 | FIANCO DESTRO | RIGHT SIDE PANEL | | | s t u v w x |
| 133 | 0CK433 | 083040MQ02 | KIT PORTA DESTRA 061 ELUX 2 VETRI | RIGHT DOOR KIT 2 GLASSES 6/1 | | | a c d f - ELUX |
| 133 | 0CK445 | 083040N202 | KIT PORTA DESTRA 061 ZAN 2 VETRI | RIGHT DOOR KIT 2 GLASSES 6/1 | | | a c d f - ZAN |
| 133 | 0CK457 | 083040NF02 | KIT PORTA DESTRA 061 TO BRAND 2 VETRI | RIGHT DOOR KIT 2 GLASSES 6/1 | | | a c d f - TO BRAND |
| 133 | 0CK434 | 083040MR02 | KIT PORTA DESTRA 061 ELUX 3 VETRI | RIGHT DOOR KIT 3 GLASSES 6/1 | | | b e - ELUX |
| 133 | 0CK446 | 083040N302 | KIT PORTA DESTRA 061 ZAN 3 VETRI | RIGHT DOOR KIT 3 GLASSES 6/1 | | | b e - ZAN |
| 133 | 0CK458 | 083040NG02 | KIT PORTA DESTRA 061 TO BRAND 3 VETRI | RIGHT DOOR KIT 3 GLASSES 6/1 | | | b e - TO BRAND |
| 133 | 0CK435 | 083040MS02 | KIT PORTA DESTRA 062 ELUX 2 VETRI | RIGHT DOOR KIT 2 GLASSES 6/2 | | | g i j l - ELUX |
| 133 | 0CK447 | 083040N402 | KIT PORTA DESTRA 062 ZAN 2 VETRI | RIGHT DOOR KIT 2 GLASSES 6/2 | | | g i j l - ZAN |

| SKYLINE | | | | | | | | |
|---------|-----------------|--------------|--|-------------------------------|---|-------|---|--------------------|
| Pos | Spare part Code | Factory code | Descrizione | Description | V | W & T | S | Ref./Notes |
| 133 | 0CK459 | 083040NH02 | KIT PORTA DESTRA 062 TO BRAND 2 VETRI | RIGHT DOOR KIT 2 GLASSES 6/2 | | | | g i j l - TO BRAND |
| 133 | 0CK436 | 083040MT02 | KIT PORTA DESTRA 062 ELUX 3 VETRI | RIGHT DOOR KIT 3 GLASSES 6/2 | | | | h k - ELUX |
| 133 | 0CK448 | 083040N502 | KIT PORTA DESTRA 062 ZAN 3 VETRI | RIGHT DOOR KIT 3 GLASSES 6/2 | | | | h k - ZAN |
| 133 | 0CK460 | 083040NJ02 | KIT PORTA DESTRA 062 TO BRAND 3 VETRI | RIGHT DOOR KIT 3 GLASSES 6/2 | | | | h k - TO BRAND |
| 133 | 0CK437 | 083040MU02 | KIT PORTA DESTRA 101 ELUX 2 VETRI | RIGHT DOOR KIT 2 GLASSES 10/1 | | | | m o p r - ELUX |
| 133 | 0CK449 | 083040N602 | KIT PORTA DESTRA 101 ZAN 2 VETRI | RIGHT DOOR KIT 2 GLASSES 10/1 | | | | m o p r - ZAN |
| 133 | 0CK461 | 083040NK02 | KIT PORTA DESTRA 101 TO BRAND 2 VETRI | RIGHT DOOR KIT 2 GLASSES 10/1 | | | | m o p r - TO BRAND |
| 133 | 0CK438 | 083040MV02 | KIT PORTA DESTRA 101 ELUX 3 VETRI | RIGHT DOOR KIT 3 GLASSES 10/1 | | | | n q - ELUX |
| 133 | 0CK450 | 083040N702 | KIT PORTA DESTRA 101 ZAN 3 VETRI | RIGHT DOOR KIT 3 GLASSES 10/1 | | | | n q - ZAN |
| 133 | 0CK462 | 083040NL02 | KIT PORTA DESTRA 101 TO BRAND 3 VETRI | RIGHT DOOR KIT 3 GLASSES 10/1 | | | | n q - TO BRAND |
| 133 | 0CK439 | 083040MW02 | KIT PORTA DESTRA 102 ELUX 2 VETRI | RIGHT DOOR KIT 2 GLASSES 10/2 | | | | s u v x - ELUX |
| 133 | 0CK451 | 083040N802 | KIT PORTA DESTRA 102 ZAN 2 VETRI | RIGHT DOOR KIT 2 GLASSES 10/2 | | | | s u v x - ZAN |
| 133 | 0CK463 | 083040NM02 | KIT PORTA DESTRA 102 TO BRAND 2 VETRI | RIGHT DOOR KIT 2 GLASSES 10/2 | | | | s u v x - TO BRAND |
| 133 | 0CK440 | 083040MX02 | KIT PORTA DESTRA 102 ELUX 3 VETRI | RIGHT DOOR KIT 3 GLASSES 10/2 | | | | t w - ELUX |
| 133 | 0CK452 | 083040N902 | KIT PORTA DESTRA 102 ZAN 3 VETRI | RIGHT DOOR KIT 3 GLASSES 10/2 | | | | t w - ZAN |
| 133 | 0CK464 | 083040NN02 | KIT PORTA DESTRA 102 TO BRAND 3 VETRI | RIGHT DOOR KIT 3 GLASSES 10/2 | | | | t w - TO BRAND |
| 133 | 0CK469 | 083040LW02 | KIT PORTA SINISTRA 061 ELUX CKM 2V | LEFT DOOR KIT 2 GLASSES 6/1 | | | | d - ELUX |
| 133 | 0CK425 | 083040M403 | KIT PORTA SINISTRA 061 ZAN CKM 2V | LEFT DOOR KIT 2 GLASSES 6/1 | | | | d - ZAN |
| 133 | 0CK483 | 083040MC02 | KIT PORTA SINISTRA 061 TO BRAND CKM 2V | LEFT DOOR KIT 2 GLASSES 6/1 | | | | d - TO BRAND |
| 133 | 0CK470 | 083040LX02 | KIT PORTA SINISTRA 061 ELUX CKM 3V | LEFT DOOR KIT 3 GLASSES 6/1 | | | | e - ELUX |
| 133 | 0CK477 | 083040M502 | KIT PORTA SINISTRA 061 ZAN CKM 3V | LEFT DOOR KIT 3 GLASSES 6/1 | | | | e - ZAN |
| 133 | 0CK484 | 083040MD02 | KIT PORTA SINISTRA 061 TO BRAND CKM 3V | LEFT DOOR KIT 3 GLASSES 6/1 | | | | e - TO BRAND |
| 133 | 0CK471 | 083040LY02 | KIT PORTA SINISTRA 062 ELUX CKM 2V | LEFT DOOR KIT 2 GLASSES 6/2 | | | | j - ELUX |
| 133 | 0CK478 | 083040M602 | KIT PORTA SINISTRA 062 ZAN CKM 2V | LEFT DOOR KIT 2 GLASSES 6/2 | | | | j - ZAN |
| 133 | 0CK485 | 083040MF02 | KIT PORTA SINISTRA 062 TO BRAND CKM 2V | LEFT DOOR KIT 2 GLASSES 6/2 | | | | j - TO BRAND |
| 133 | 0CK472 | 083040LZ02 | KIT PORTA SINISTRA 062 ELUX CKM 3V | LEFT DOOR KIT 3 GLASSES 6/2 | | | | k - ELUX |
| 133 | 0CK479 | 083040M702 | KIT PORTA SINISTRA 062 ZAN CKM 3V | LEFT DOOR KIT 3 GLASSES 6/2 | | | | k - ZAN |
| 133 | 0CK486 | 083040MG02 | KIT PORTA SINISTRA 062 TO BRAND CKM 3V | LEFT DOOR KIT 3 GLASSES 6/2 | | | | k - TO BRAND |
| 133 | 0CK473 | 083040M002 | KIT PORTA SINISTRA 101 ELUX CKM 2V | LEFT DOOR KIT 2 GLASSES 10/1 | | | | p - ELUX |
| 133 | 0CK426 | 083040M801 | KIT PORTA SINISTRA 101 ZAN CKM 2V | LEFT DOOR KIT 2 GLASSES 10/1 | | | | p - ZAN |
| 133 | 0CK487 | 083040MH02 | KIT PORTA SINISTRA 101 TO BRAND CKM 2V | LEFT DOOR KIT 2 GLASSES 10/1 | | | | p - TO BRAND |
| 133 | 0CK474 | 083040M102 | KIT PORTA SINISTRA 101 ELUX CKM 3V | LEFT DOOR KIT 3 GLASSES 10/1 | | | | q - ELUX |
| 133 | 0CK480 | 083040M902 | KIT PORTA SINISTRA 101 ZAN CKM 3V | LEFT DOOR KIT 3 GLASSES 10/1 | | | | q - ZAN |
| 133 | 0CK488 | 083040MJ02 | KIT PORTA SINISTRA 101 TO BRAND CKM 3V | LEFT DOOR KIT 3 GLASSES 10/1 | | | | q - TO BRAND |
| 133 | 0CK475 | 083040M202 | KIT PORTA SINISTRA 102 ELUX CKM 2V | LEFT DOOR KIT 2 GLASSES 10/2 | | | | v - ELUX |
| 133 | 0CK481 | 083040MA02 | KIT PORTA SINISTRA 102 ZAN CKM 2V | LEFT DOOR KIT 2 GLASSES 10/2 | | | | v - ZAN |
| 133 | 0CK489 | 083040MK02 | KIT PORTA SINISTRA 102 TO BRAND CKM 2V | LEFT DOOR KIT 2 GLASSES 10/2 | | | | v - TO BRAND |
| 133 | 0CK476 | 083040M302 | KIT PORTA SINISTRA 102 ELUX CKM 3V | LEFT DOOR KIT 3 GLASSES 10/2 | | | | w - ELUX |
| 133 | 0CK482 | 083040MB02 | KIT PORTA SINISTRA 102 ZAN CKM 3V | LEFT DOOR KIT 3 GLASSES 10/2 | | | | w - ZAN |
| 133 | 0CK490 | 083040ML02 | KIT PORTA SINISTRA 102 TO BRAND CKM 3V | LEFT DOOR KIT 3 GLASSES 10/2 | | | | w - TO BRAND |
| 134 | 0CK356 | 0855408601 | ASS. VETRO INTERMEDIO PORTA | DOOR MIDDLE GLASS ASS.Y | | | | b e |
| 134 | 0CK357 | 0855408701 | ASS. VETRO INTERMEDIO PORTA | DOOR MIDDLE GLASS ASS.Y | | | | n q |
| 134 | 0CK358 | 0855409801 | ASS. VETRO INTERMEDIO PORTA | DOOR MIDDLE GLASS ASS.Y | | | | h k |
| 134 | 0CK359 | 0855409901 | ASS. VETRO INTERMEDIO PORTA | DOOR MIDDLE GLASS ASS.Y | | | | t w |
| 135 | 0CK351 | 0543403D00 | ASS. GUARNIZIONE VETRO INTERMEDIO | MIDDLE GLASS GASKET ASS.Y | | | | b e |
| 135 | 0CK352 | 0543403F00 | ASS. GUARNIZIONE VETRO INTERMEDIO | MIDDLE GLASS GASKET ASS.Y | | | | n q |
| 135 | 0CK353 | 0543403G00 | ASS. GUARNIZIONE VETRO INTERMEDIO | MIDDLE GLASS GASKET ASS.Y | | | | h k |

SKYLINE

| Pos | Spare part Code | Factory code | Descrizione | Description | V | W & T | S | Ref./Notes |
|------------|-----------------|-------------------|-----------------------------------|---------------------------|---|-------|---|-------------|
| 135 | 0CK355 | 0543403H00 | ASS. GUARNIZIONE VETRO INTERMEDIO | MIDDLE GLASS GASKET ASS.Y | | | | tw |
| 136 | 0CK410 | 083040LS01 | ASS. SILENZIATORE 061 GPL | SILENCER ASS.Y LPG | | | | a b c d e f |
| 136 | 0CK411 | 083040LT00 | ASS. SILENZIATORE 062 GPL | SILENCER ASS.Y LPG | | | | g h i j k l |
| 137 | 0CK269 | 083040BX00 | SONDA CELLA | CAVITY PROBE | | | | |
| 138 | | | MOLLA PER CHIUSURA | SPRING | | | | |

| SKYLINE | | | | | | | | |
|---------|-----------------|------------------|--|--|----------|-------|---|--|
| Pos | Spare part Code | Factory code | Descrizione | Description | V | W & T | S | Ref./Notes |
| 200 | 0CK161 | 541401D01 | PROTEZIONE SCHEDA USER | USER INTERFACE COVER | | | | |
| 201 | 0CK037 | 638404D00 | CAVO PROLUNGA USB | USB PROLONG | | X | | |
| 202 | 0CK041 | 546400V01 | SPORTELLINO USB | USB WINDOW | | X | | |
| 204 | 0CK144 | 541401F02 | MEMBRANA TOUCH ELECTROLUX CON BOILER | ELECTROLUX TOUCH MEMBRANE WITH BOILER | | X | | d e j k p q v w |
| 204 | 0CK298 | 541402501 | MEMBRANA TOUCH ELECTROLUX SENZA BOILER | ELECTROLUX TOUCH MEMBRANE WITHOUT BOILER | | X | | a b g h m n s t |
| 204 | 0CK299 | 541401U03 | MEMBRANA TOUCH ZANUSSI CON BOILER | ZANUSSI TOUCH MEMBRANE WITH BOILER | | X | | d e j k p q v w |
| 204 | 0CK300 | 541402703 | MEMBRANA TOUCH ZANUSSI SENZA BOILER | ZANUSSI TOUCH MEMBRANE WITHOUT BOILER | | X | | a b g h m n s t |
| 204 | 0CK332 | 541401V01 | MEMBRANA TOUCH TO BRAND | TO BRAND TOUCH MEMBRANE | | X | | a b d e g h j k m n p q s t v w |
| 204 | * | 541402S00 | MEMBRANA TOUCH DIAMOND | DIAMOND TOUCH MEMBRANE | | X | | a b d e g h j k m n p q s t v w |
| 205 | 0CK070 | 675401U04 | ACU -SCHEDA POWER | ACU-POWER BOARD | X | | | |
| 206 | 0CK034 | 673400900 | DISPLAY 7" | DISPLAY 7" | X | | | a b d e g h j k m n p q s t v w |
| 207 | 0CK260 | 694400S00 | FILTRO EMC | EMC FILTER | | X | | |
| 208 | 046357 | 639804901 | MORSETTIERA | MAIN TERMINAL BLOCK | | | | |
| 209 | 0L3360 | 63962B400 | PORTA FUSIBILI (PEZZO SINGOLO) | FUSE HOLDER (SINGLE PIECE) | X | | | |
| 211 | 0CK199 | 682400G00 | VENTILATORE RAFFREDDAMENTO | COOLING FAN | | X | | g h i j k l m n o p q r s t u v w x |
| 211 | 0CK257 | 682400H00 | VENTILATORE RAFFREDDAMENTO | COOLING FAN | | X | | a b c d e f |
| 212 | 0CK168 | 657400200 | SONDA LAMBDA | LAMBDA PROBE | | X | | |
| 213 | 0CK040 | 543401N01 | CRUSCOTTO PLASTICA TOUCH | PLASTIC FRAME TOUCH | | | | a b d e g h j k m n p q s t v w |
| 214 | 0CK033 | 675401G00 | SCHEDA ON/OFF | ON/OFF BOARD | X | X | | |
| 215 | 0CK036 | 675401J01 | SCHEDA BRIDGE | BRIDGE BOARD | X | | | a b d e g h j k m n p q s t v w |
| 216 | 0CK183 | 646400G00 | TERMOSTATO SICUREZZA BOILER | BOILER SAFETY THERMOSTAT | X | | | |
| 217 | 0CK184 | 646400H00 | TERMOSTATO SICUREZZA CELLA | CAVITY SAFETY THERMOSTAT | X | | | |
| 218 | 0CK039 | 655400000 | ALTOPARLANTE | SPEAKER | | | | a b d e g h j k m n p q s t v w |
| 219 | 0CK130 | 675401T02 | INVERTER | INVERTER | X | | | EU |
| 219 | 0CK424 | 675403H00 | INVERTER | INVERTER | X | | | USA |
| 220 | 0CK167 | 675401S01 | SMPS ALIM. SWITCHING 24V | SWITCHING FEEDER 24V | X | | | |
| 221 | 0CK166 | 675402Z00 | SMPS ALIM. SWITCHING 12V | SWITCHING FEEDER 12V | X | | | |
| 222 | 0CK145 | 640400300 | MICRO INTERRUPTORE | MICRO SWITCH | | X | | |
| 223 | 0CK035 | 675401H00 | SCHEDA CORE | CORE BOARD | X | | | a b d e g h j k m n p q s t v w |
| 225 | 0CK044 | 675401P02 | SCHEDA USER DIGIT | DIGIT USER BOARD | X | | | c f i l o r u x |
| 226 | 0CK043 | 543401Q01 | CRUSCOTTO PLASTICA DIGIT | PLASTIC FRAME TOUCH | | | | c f i l o r u x |
| 227 | 088267 | 648722900 | RELE' | RELAY | X | X | | |
| 228 | 0CK042 | 657400101 | SCHEDA NIU | NIU BOARD | | | | |
| 229 | 0CK045 | 675401Q00 | CAVETTO ON/OFF TOUCH | ON/OFF CABLE TOUCH | | X | | a b d e g h j k m n p q s t v w |
| 229 | 0CK329 | 675402K00 | CAVETTO ON/OFF DIGIT | ON/OFF CABLE DIGIT | | X | | c f i l o r u x |
| 230 | 0CK254 | 646400A00 | SONDA NTC | NTC PROBE | X | X | | |
| 233 | | 83040PG00 | ASSIEME USER TOUCH | USER INTERFACE ASSEMBLY TOUCH | X | | | a b d e g h j k m n p q s t v w |
| 234 | 0CK079 | 830409604 | ASSIEME USER DIGIT | USER INTERFACE ASSEMBLY DIGIT | X | | | c f i l o r u x |
| 235 | 0C5239 | 652806000 | FUSIBILE 5X20 4A ST520240 | FUSE 5X20 4A ST520240 | X | X | | |
| 235 | 0C1480 | 652803300 | FUSIBILE 5X20 6,3A T | FUSE 5X20 6,3A T | X | X | | |

| SKYLINE | | | | | | | | |
|---------|-----------------|------------------|---|--|---|-------|---|------------------------------------|
| Pos | Spare part Code | Factory code | Descrizione | Description | V | W & T | S | Ref./Notes |
| 235 | 0L3083 | 652608900 | FUSIBILE CERAMICO 5X20 250V 10A T RITARDATO/OMEGA | FUSE 5X20 250V 10A | X | X | | USA 120 V |
| 236 | 0CK032 | 514405001 | MOLLA SPORTELLINO | SPRING | | X | | |
| 237 | 0CK038 | 638404F02 | CAVETTO RECOVERY | RECOVERY CABLE | | X | | |
| 238 | 0CK030 | 546400U01 | SUPPORTO USB | USB CAGE | | | | |
| 239 | 0CK292 | 541401G02 | MEMBRANA DIGIT ELECTROLUX CON BOILER | ELECTROLUX DIGIT MEMBRANE WITH BOILER | | X | | c i o u |
| 239 | 0CK301 | 541402602 | MEMBRANA DIGIT ELECTROLUX SENZA BOILER | ELECTROLUX DIGIT MEMBRANE WITHOUT BOILER | | X | | f l r x |
| 239 | 0CK302 | 541401W03 | MEMBRANA DIGIT ZANUSSI CON BOILER | ZANUSSI DIGIT MEMBRANE WITH BOILER | | X | | c i o u |
| 239 | 0CK303 | 541402804 | MEMBRANA DIGIT ZANUSSI SENZA BOILER | ZANUSSI DIGIT MEMBRANE WITHOUT BOILER | | X | | f l r x |
| 239 | 0CK333 | 541401X02 | MEMBRANA DIGIT TO BRAND CON BOILER | TO BRAND DIGIT MEMBRANE WITH BOILER | | X | | c i o u |
| 239 | 0CK334 | 541402A02 | MEMBRANA DIGIT TO BRAND SENZA BOILER | TO BRAND DIGIT MEMBRANE WITHOUT BOILER | | X | | f l r x |
| 239 | * | 541402U01 | MEMBRANA DIGIT DIAMOND CON BOILER | DIAMOND DIGIT MEMBRANE WITH BOILER | | X | | c i o u |
| 239 | * | 541402T01 | MEMBRANA DIGIT DIAMOND SENZA BOILER | DIAMOND DIGIT MEMBRANE WITHOUT BOILER | | X | | f l r x |
| 244 | 0CK330 | 675401L00 | CAVETTO CONNESSIONE SPEAKER | WIRING SPEAKER | | X | | a b d e g h j k m n p q s t v w |
| 245 | 0CK622 | 546401700 | TASTO PER TASTIERA DIGIT | LIGHTED PUSH-BUTTON 13X13 H11.4MM | | | | c f i l o r u x - 5 pcs |

| SKYLINE | | | | | | | |
|---------|-----------------|--------------|------------------------------------|--------------------------------|---|-------|---|
| Pos | Spare part Code | Factory code | Descrizione | Description | V | W & T | S Ref./Notes |
| 300 | 0CK418 | 686400304 | POMPA LAVAGGIO 220-240V 50/60HZ | CLEANING PUMP 220-240V 50/60HZ | X | X | |
| 301 | 0C4202 | 516896000 | CONTRODADO | NUT | | X | |
| 302 | 0C4201 | 543841400 | GUARNIZIONE IN RAME | COPPER GASKET | | X | |
| 303 | 0CK285 | 83040HS00 | ASS. ELETTROVALVOLA | SOLENOID VALVE ASSEMBLY | | X | c d e i j k o p q u v w |
| 303 | 0CK013 | 83040HU00 | ASS. ELETTROVALVOLA | SOLENOID VALVE ASSEMBLY | | X | a b f g h l m n r s t x |
| 304 | 0CK182 | 541401S01 | TEGOLO RACCOGLI CONDENZA | FRONT GUTTER | | | |
| 305 | 0CK283 | 83040HL00 | GRUPPO ELETTROVALVOLE RM1400 | SOLENOID VALVES GROUP RM1400 | X | | USA all d e j k p q v w c i o u: - DIAM 230V - o u - To Brand 230V c u |
| 305 | 0CK284 | 83040HM00 | GRUPPO ELETTROVALVOLE RM1300 | SOLENOID VALVES GROUP RM1300 | X | | a b f g h l m n r s t x (except USA) c i o u: - DIAM 230 - c i - To Brand 230V i o - all 220-240V - all 230V |
| 306 | 0CK282 | 83040HK00 | FLUSSIMETRO | FLOW METER ASSEMBLY | | X | |
| 307 | 0CK128 | 855405L02 | INGRESSO UMIDIFICATORE 6 1/1 | HUMIDIFIER INLET 6 1/1 | | | a b c d e f |
| 307 | 0CK126 | 855406701 | INGRESSO UMIDIFICATORE 10 1/1 | HUMIDIFIER INLET 10 1/1 | | | m n o p q r |
| 307 | 0CK129 | 855405M02 | INGRESSO UMIDIFICATORE 6 2/1 | HUMIDIFIER INLET 6 2/1 | | | g h i j k l |
| 307 | 0CK127 | 855406801 | INGRESSO UMIDIFICATORE 10 2/1 | HUMIDIFIER INLET 10 2/1 | | | s t u v w x |
| 308 | 0CK175 | 506405803 | STAFFA SUPPORTO ELETTROVALVOLA | SOLENOID VALVE SUPPORT | | | |
| 309 | 0CK228 | 696400L01 | ELETTROVALVOLA. | SOLENOID VALVE | | X | |
| 310 | 0CK221 | 544401G03 | MANICOTTO MANDATA POMPA | PUMP EXIT MANIFOLD | | X | |
| 311 | 0CK137 | 544401F03 | MANICOTTO ASPIRAZIONE POMPA | PUMP INLET MANIFOLD | | X | |
| 312 | 0CK616 | 83040NZ00 | KIT DOCCETTA INTEGRATA | INTEGRATED SHOWER KIT | | | a,b,c,f,g,h,i,l, m,n,o,r,s,t,u,x |
| 313 | 0CK087 | 541402F01 | CILINDRO PASTIGLIE | CYLINDER FOR TABS | | X | |
| 314 | 0CK233 | 855403M06 | CONDUTTURE CLEANING SYSTEM 6 1/1 | CLEANING SYSTEM PIPING 6 1/1 | | | a b c d e f |
| 314 | 0CK235 | 855403N07 | CONDUTTURE CLEANING SYSTEM 10 1/1 | CLEANING SYSTEM PIPING 10 1/1 | | | m n o p q r |
| 314 | 0CK232 | 855403P06 | CONDUTTURE CLEANING SYSTEM 6 2/1 | CLEANING SYSTEM PIPING 6 2/1 | | | g h i j k l |
| 314 | 0CK234 | 855403Q07 | CONDUTTURE CLEANING SYSTEM 10 2/1 | CLEANING SYSTEM PIPING 10 2/1 | | | s t u v w x |
| 315 | 0CK157 | 514F02U00 | PORTAGOMMA | HOSE FITTING | | X | |
| 316 | 0CK141 | 544402P00 | MANICOTTO SCARICO BOILER | BOILER DRAIN MANIFOLD | | X | |
| 317 | 0CK207 | 544401A01 | TUBO SCARICO CONDENZA | CONDENSATE DRAIN HOSE | | X | |
| 318 | 0CK074 | 805407U01 | ASS. CONDUTTURA SCARICO CONDENZA | CONDENSATE DRAIN PIPE | | | |
| 319 | 0CK321 | 500404Y02 | COPERTURA POSTERIORE CARTER | CARTER BACK COVER | | | |
| 320 | 0CK236 | 500404D02 | CARTER COPERTURA FONDO | CARTER BOTTOM COVER | | | |
| 321 | 0CK178 | 546400W01 | SUPPORTO PER SCORRIMENTO DOCCETTA | SHOWER HOSE SUPPORT SLIPPING | | X | |
| 322 | 0CK196 | 805407S05 | VASCHETTA RACCOGLI CONDENZA GN 1/1 | FRONT DRIP TRAY GN 1/1 | | X | a b c d e f m n o p q r |
| 322 | 0CK197 | 805407T05 | VASCHETTA RACCOGLI CONDENZA GN 2/1 | FRONT DRIP TRAY GN 2/1 | | X | g h i j k l s t u v w x |
| 323 | 0CB250 | 689400001 | VALVOLA SCARICO BOILER | BOILER DRAIN VALVE | X | X | EU - c d e i j k o p q u v w |
| 323 | 0CB251 | 689400500 | VALVOLA SCARICO BOILER | BOILER DRAIN VALVE | X | X | USA - c d e i j k o p q u v w |
| 324 | 0CK217 | 541401K02 | PANNELLO FACCIATA INFERIORE | | | X | Up to 2019/41 |
| 324 | 0CK427 | 541402Z00 | PANNELLO FACCIATA INFERIORE | | | X | From 2019/42 |
| 325 | 0CK137 | 544401F03 | MANICOTTO ASPIRAZIONE POMPA | PUMP INLET MANIFOLD | | X | |

| SKYLINE | | | | | | | | |
|------------|-----------------|------------------|---|-------------------------------------|---|----------|----------|--|
| Pos | Spare part Code | Factory code | Descrizione | Description | V | W & T | S | Ref./Notes |
| 326 | 0CK420 | 830409A04 | ASSIEME CAMINO ABBATTITORE | STEAM EXHAUST PIPE | | | | a b c d e f g h i j k l |
| 326 | 0CK075 | 830409B05 | ASSIEME CAMINO ABBATTITORE | STEAM EXHAUST PIPE | | | | m n o p q r s t u v w x |
| 328 | 0CK155 | 514407S00 | PIOLO SCARICO CONDENZA PORTA | CONDENSATE DOOR DRAIN STUD | X | X | | |
| 329 | 0CK193 | 689400700 | VALVOLA MOTORIZZATA 1" | MOTORIZED BALL VALVE 1" | X | X | | EU |
| 329 | 0CK380 | 689400600 | VALVOLA MOTORIZZATA 1" | MOTORIZED BALL VALVE 1" | X | X | | USA |
| 330 | 0CK138 | 544401V02 | MANICOTTO COLLEGAMENTO CAMINO | RUBBER MANIFOLD | | X | | |
| 331 | 0CK097 | 835402V03 | DOCETTA | WATER SPRAY GUN | | | | - d,e,j,k,p,q,v,w all - a,b,g,h,m,n,s,t 208V-480V - c,i,o,u 380V-415V - f,l,r,x 208V |
| 332 | 0CK096 | 514405A00 | DADO CIECO 1"G | NUT 1" | | X | | |
| 333 | 0CK073 | 805409V01 | ASS. COLLETTORE SCARICO AIRBREAK | AIRBREAK DRAIN ASSEMBLY | X | X | | |
| 334 | 0CK142 | 544401J03 | MANICOTTO SCARICO CELLA | | | X | | |
| 335 | 0CK162 | 518400Y00 | RONDELLA OTTONE (34X42X2.5) | BRASS WASHER (34X42X2.5) | | X | | |
| 336 | 0CK170 | 83040C000 | SONDA TEMP. ABBATTITORE FUMANE | STEAM QUENCHING TEMP. PROBE | X | X | | |
| 337 | 0CK106 | 502404000 | FILTRO SUPPORTO DETERGENTE | DETERGENT HOLDER FILTER | | | | |
| 338 | 0CK206 | 544402Z00 | TUBO SILICONE | SILICON HOSE | | X | | |
| 339 | 046855 | 518602801 | FASCETTA | CLAMP | | X | | |
| 340 | 0CK169 | 653400B00 | SONDA NTC SICUREZZA | SAFETY NTC PROBE | X | X | | |
| 341 | 0CK304 | 835405Q00 | FASCETTA A MOLLA CON PREFIX FBS HC 24/12 | SPRING CLAMP FBS HC 24/12 | | X | | |
| 342 | 0CK191 | 544402Y00 | TUBO SCARICO BOILER | BOILER DRAIN HOSE | | X | | |
| 343 | 0CK139 | 544401Z02 | MANICOTTO COLLEGAM SCARICHI 1/1 | DRAIN CONNECTOR 1/1 | | X | | a b c d e f m n o p q r |
| 343 | 0CK140 | 544403100 | MANICOTTO COLLEGAM SCARICHI 2/1 | DRAIN CONNECTOR 2/1 | | X | | g h i j k l s t u v w x |
| 344 | 0C5829 | 544819400 | TUBO EPDM BLU | EPDM BLUE HOSE | | X | | |
| 345 | 0CK192 | 544401Y00 | TUBO SILICONE RETINATO | SILICONE HOSE REINFORCED | | X | | |
| 346 | 0CK190 | 544402000 | TUBO NBR TELATO | NBR HOSE BLACK | | X | | |
| 347 | 0CK083 | 514404Y01 | BICONO TENUTA TERMOCOPPIA | THERMOCOUPLE BICONICAL SEALING | | X | | |
| 348 | 0C9201 | 518825C01 | FASCETTA A VITE CLAMP BCT-9420 X TUBO D21-44 | CLAMP BCT-9420 X TUBO D21-44 | | X | | |
| 349 | 0L3736 | 640613Q00 | SENS. REED CASSETTO PASTIGLIE | TABS DRAWER REED SENSOR | | | | |
| 350 | 0CK304 | 835405Q00 | FASCETTA A MOLLA CON PREFIX FBS HC 24/12 | SPRING CLAMP FBS HC 24/12 | | X | | |
| 351 | 0CK007 | 654400300 | SENSORE REED PORTA DX | RIGHT DOOR REED SENSOR | | | | L = 470 mm |
| 351 | 0CK384 | 654400500 | SENSORE REED PORTA SX | LEFT DOOR REED SENSOR | | | | L = 1100 mm |
| 352 | 0CK177 | 514406W01 | SUPPORTO PASTIGLIE | TABS HOLDER | | | | |
| 353 | 0CK246 | 514406V00 | MOLLA TAPPO | CUP SPRING | | X | | |
| 354 | 0CK125 | 543402S01 | GUARNIZIONE TAPPO | CUP GASKET | | X | | |
| 355 | 0CK180 | 541402M00 | TAPPO MOBILE | MOBILE CUP | | X | | |
| 356 | 0CK179 | 541402D00 | TAPPO FISSO | FIX CUP | | X | | |
| 357 | 0CK322 | 80540DK02 | ASSIEME TAPPO SERBATOIO CHIMICA | CUP TANK ASSEMBLY | | X | | |
| 358 | 0PE481 | 511T00300 | MANOPOLA ZIGRINATA | KNURLED SCREW | | X | | |
| 360 | 0CK100 | 835405P00 | FASCETTA A MOLLA FBS HC 38/12 | SPRING CLAMP FBS HC 38/12 | | X | | |
| 361 | 0S1279 | 0P.P313.00.00 | SEGER PER MINIREEL (PER FORO d. 28) | | | X | | |
| 363 | 0CK431 | 0P.P463X5 | O-RING 2081 | | | X | | |
| 364 | 0CK429 | 0R.F193 | TUBO FLESSIBILE GOMMA EPDM | | | X | | d.6x12mm |
| 365 | 0CK430 | 0R.P470 | MOLLA SAGOMATA | | | X | | |
| 366 | 0L0673 | 0P.P243.00.00 | TESTA DOCCIA | | | X | | |
| 367 | 0CK600 | 544401S01 | COLLETTORE RPE DN19 CON FILTRO 3/4" | COLLECTOR | | | X | |

| SKYLINE | | | | | | | | |
|-------------|-----------------|------------------|--|--------------------------------------|----------|-------|---|---------------------------------------|
| Pos | Spare part Code | Factory code | Descrizione | Description | V | W & T | S | Ref./Notes |
| 400 | 0CK085 | 83040HF02 | BOILER 6 1/1-6 2/1 | BOILER 6 1/1-6 2/1 | X | | | c d e i j k |
| 400 | 0CK084 | 83040HG02 | BOILER 10 1/1-10 2/1 | BOILER 10 1/1-10 2/1 | X | | | o p q u v w |
| 401 | 0CK189 | 544401B00 | TUBO INGRESSO VAPORE | STEAM INLET HOSE | X | X | | |
| 402 | 007033 | 830890501 | SONDA LIVELLO ACQUA | WATER LEVEL SENSOR | X | X | | |
| 403 | 0CK119 | 543402K00 | GUARNIZIONE CANDELINA ACC.NE | IGNITION ROD GASKET | X | X | | |
| 404 | 0CK270 | 83040BY00 | SENSORE DI TEMPERATURA BOILER | BOILER TEMPERATURE SENSOR | X | X | | |
| 405 | 0CK115 | 543402J01 | GUARNIZIONE BRUCIATORE | BURNER GASKET | X | X | | a b c d e f m n o p q r |
| 405 | 0CK116 | 543402L02 | GUARNIZ. BRUCIATORE 6 2/1-10 2/1 | BURNER GASKET 6 2/1-10 2/1 | X | X | | g h i j k l s t u v w x |
| 406 | 0CK286 | 835403Z02 | BRUCIATORE BOILER 61-62-101-102 | BOILER BURNER 61-62-101-102 | X | | | |
| 407 | 0CK273 | 83040CD04 | CAND. ACC.NE BOILER 61-62-101-102 | BOILER IGNITION ROD 61-61-101-102 | X | X | | |
| 408 | 0CK124 | 543402H01 | GUARNIZIONE SOFFIANTE | BLOWER GASKET | X | X | | |
| 409 | 0C4105 | 624810600 | ACCENDITORE | IGNITER | X | X | | |
| 410 | 0CK159 | 83040DL02 | PROLUNGA BRUCIATORE | BURNER PROLONG | | | | |
| 411 | 0C1044 | 518807600 | MOLLA | SPRING | | X | | |
| 412 | 0CK146 | 511400V00 | MIXER | MIXER | X | | | |
| 413 | 0CK134 | 560401B03 | ISOLANTE BOILER 6 1/1-6 2/1-a | BOILER INSULATION 6 1/1-6 2/1-a | | X | | c d e i j k - a |
| 413 | 0CK135 | 560401C04 | ISOLANTE BOILER 6 1/1-6 2/1-b | BOILER INSULATION 6 1/1-6 2/1-b | | X | | c d e i j k - b |
| 413 | 0CK136 | 560401D01 | ISOLANTE BOILER 6 1/1-6 2/1-c | BOILER INSULATION 6 1/1-6 2/1-c | | X | | c d e i j k - c |
| 413 | 0CK131 | 560401F03 | ISOLANTE BOILER 10 1/1-10 2/1-a | BOILER INSULATION 10 1/1-10 2/1-a | | X | | o p q u v w - a |
| 413 | 0CK132 | 560401G04 | ISOLANTE BOILER 10 1/1-10 2/1-b | BOILER INSULATION 10 1/1-10 2/1-b | | X | | o p q u v w - b |
| 413 | 0CK133 | 560401H01 | ISOLANTE BOILER 10 1/1-10 2/1-c | BOILER INSULATION 10 1/1-10 2/1-c | | X | | o p q u v w - c |
| 414 | 0CK198 | 682400C00 | VENTILATORE 50 Hz | BLOWER 50 Hz | X | | | For 50Hz |
| 414 | 0CK409 | 682400K00 | VENTILATORE 60 Hz | BLOWER 60 Hz | X | | | For 60Hz |
| 415 | 0CK188 | 515404902 | TUBO INGRESSO ARIA | AIR INLET PIPE | | | | |
| 417 | 0CK006 | 805409302 | ASSIEME VALVOLA ARIA | AIR INLET VALVE | X | X | | |
| 417a | 0CK642 | 543402R01 | GUARNIZIONE VALVOLA ARIA | AIR INLET VALVE GASKET | | | | |
| 419 | 0CK186 | 83040DJ01 | TUBO FLESSIBILE 10 1/1-10 2/1 | FLEX HOSE 10 1/1-10 2/1 | | X | | m n o p q r s t u v w x |
| 419 | 0CK187 | 83040D900 | TUBO FLESSIBILE 6 1/1-6 2/1 | FLEX HOSE 6 1/1-6 2/1 | | X | | a b c d e f g h i j k l |
| 420 | 0CK072 | 569400Q00 | ANELLO TENUTA IN GRAFITE | GRAPHITIC RING | | X | | |
| 421 | 0CB248 | 543831900 | GUARNIZIONE | GASKET | | X | | |
| 422 | 0CK109 | 501400P00 | FLANGIA CAMINO 6 1/1-10 1/1 | CHIMNEY FLANGE 6 1/1-10 1/1 | | | | |
| 422 | 0CK110 | 501400Q01 | FLANGIA CAMINO 6 2/1-10 2/1 | CHIMNEY FLANGE 6 2/1-10 2/1 | | | | |
| 423 | 0C1057 | 835859601 | VALVOLA GAS 50 Hz | GAS VALVE 50 Hz | X | | | For 50 Hz |
| 423 | 0C1879 | 835867200 | VALVOLA GAS 60 Hz | GAS VALVE 60 Hz | X | | | For 60 Hz |
| 424 | 052671 | 515801715 | TENUTA BICONICA | BICONICAL SEALING | | X | | |
| 425 | 0C1058 | 516847000 | DADO 3/4" | NUT 3/4" | | X | | |
| 426 | 0CK315 | 805409Z02 | RIBALTA GAS 06-10 CON BOILER | MANIFOLD 06-10 WITH BOILER | | | | c d e i j k o p q u v w |
| 426 | 0CK316 | 80540BW00 | RIBALTA GAS 06-10 SENZA BOILER | MANIFOLD 06-10 WITHOUT BOILER | | | | a b f g h l m n r s t x |
| 426 | 0CK405 | 80540BM01 | RIBALTA GAS 06-10 CON BOILER | MANIFOLD 06-10 WITH BOILER | | | | c d e i j k o p q u v w US |
| 426 | * | 80540BX01 | RIBALTA GAS 06-10 SENZA BOILER | MANIFOLD 06-10 WITHOUT BOILER | | | | a b f g h l m n r s t x US |
| 427 | 006451 | 147018082 | NASTRO ADESIVO ALLUMINATO | ALLUMINIUM ADHESIVE TAPE | | X | | |
| 428 | 0CK286 | 835403Z02 | BRUCIATORE CELLA 6 1/1-10 1/1 | CAVITY BURNER 6 1/1-10 1/1 | X | | | a b c d e f m n o p q r |
| 428 | 0CK287 | 835404001 | BRUCIATORE CELLA 6 2/1-10 2/1 | CAVITY BURNER 6 2/1-10 2/1 | X | | | g h i j k l s t u v w x |

| SKYLINE | | | | | | | | |
|------------|-----------------|-------------------|-----------------------------------|-----------------------------------|----------|-------|---|---|
| Pos | Spare part Code | Factory code | Descrizione | Description | V | W & T | S | Ref./Notes |
| 429 | 0CK403 | 624400P01 | TRASFORMATORE TOROIDALE 550VA | TRANSFORMER 550 VA | | | | 100-120-200-208-220-230-240 V |
| 430 | 0CK185 | 83040DB00 | TUBO FLESSIBILE 10 1/1-10 2/1 | FLEX HOSE 10 1/1-10 2/1 | | X | | m n o p q r s t u v w x |
| 430 | 0CK187 | 83040D900 | TUBO FLESSIBILE 6 1/1-6 2/1 | FLEX HOSE 6 1/1-6 2/1 | | X | | a b c d e f g h i j k l |
| 432 | 0CK115 | 543402J01 | GUARNIZIONE BRUCIATORE | BURNER GASKET | X | X | | a b c d e f m n o p q r |
| 432 | 0CK116 | 543402L02 | GUARNIZ. BRUCIATORE 6 2/1-10 2/1 | BURNER GASKET 6 2/1-10 2/1 | X | X | | g h i j k l s t u v w x |
| 433 | 0CK273 | 83040CD04 | CAND. ACC.NE CELLA 6 1/1-10 1/1 | CAVITY IGNITION ROD 6 1/1-10 1/1 | X | X | | a b c d e f m n o p q r |
| 433 | 0CK279 | 83040GM01 | CAND. ACC.NE CELLA 6 2/1-10 2/1 | CAVITY IGNITION ROD 6 2/1-10 2/1 | X | X | | g h i j k l s t u v w x |
| 434 | 0CK149 | 611400900 | MOTORE HANNING 450W | HANNING MOTOR 450W | X | | | a b c d e f m n o p q r up to 2020/18 |
| 434 | 0CK150 | 611400C01 | MOTORE FIR 750W | FIR MOTOR 750W | X | | | g h i j k l s t u v w x - EU/AUS |
| 434 | 0CK422 | 611400B02 | MOTORE FIR 450W | FIR MOTOR 450W | X | | | a b c d e f m n o p q r from 2020/19 |
| 434 | 0CK423 | 611400A00 | MOTORE 750W | MOTOR 750W | X | | | g h i j k l s t u v w x - US |
| 435 | 0CK181 | 50440AT01 | TEGOLO PARAGOCCE | DRIP PROTECTION | | | | |
| 436 | 0CK200 | 504409J00 | VENTOLA GN 1/1 | FAN GN1/1 | | | | a b c d e f m n o p q r |
| 436 | 0CK201 | 504409K00 | VENTOLA GN 2/1 | FAN GN 2/1 | | | | g h i j k l s t u v w x |
| 437 | 0CK164 | 83040DD02 | SCAMBIATORE 6 1/1 | HEAT EXCHANGER 6 1/1 | X | | | a b c d e f |
| 437 | 0CK165 | 83040DG02 | SCAMBIATORE 6 2/1 | HEAT EXCHANGER 6 2/1 | X | | | g h i j k l |
| 437 | 0CK163 | 83040DF02 | SCAMBIATORE 10 1/1 | HEAT EXCHANGER 10 1/1 | X | | | m n o p q r |
| 437 | 0CK491 | 83040JV01 | SCAMBIATORE 10 2/1 | HEAT EXCHANGER 10 2/1 | X | | | s t u v w x |
| 438 | 0CK122 | 569400X00 | GUARNIZ. SCAMBIATORE 6 1/1-10 1/1 | HEAT EXCHANG. GASKET 6 1/1-10 1/1 | X | | | a b c d e f m n o p q r |
| 438 | 0CK123 | 569400Y00 | GUARNIZ. SCAMBIATORE 6 2/1-10 2/1 | HEAT EXCHANG. GASKET 6 2/1-10 2/1 | X | | | g h i j k l s t u v w x |
| 439 | 0CK111 | 501400M00 | FLANGIA SCAMBIATORE 6 1/1-10 1/1 | HEAT EXCHANG. FLANGE 6 1/1-10 1/1 | X | | | a b c d e f m n o p q r |
| 439 | 0CK112 | 501400N00 | FLANGIA SCAMBIATORE 6 2/1-10 2/1 | HEAT EXCHANG. FLANGE 6 2/1-10 2/1 | X | | | g h i j k l s t u v w x |
| 440 | 0CK117 | 569400Z00 | GUARNIZIONE 6 1/1 | GASKET 6 1/1 | | X | | a b c d e f |
| 440 | 0CK118 | 569401000 | GUARNIZIONE 6 2/1-10 1/1-10 2/1 | GASKET 6 2/1-10 1/1-10 2/1 | | X | | g h i j k l m n o p q r s t u v w x |
| 441 | 0CK147 | 514406Q00 | MOLLA | SPRING | | X | | |
| 443 | 0CK309 | 217016205 | VITE TENUTA VENTOLA | FAN SCREW | | X | | |
| 444 | 0C4260 | 624810801 | CENTRALINA CONTROLLO FIAMMA | FLAME CONTROL DEVICE | X | | | |
| 445 | 0CK310 | 206300900 | RONDELLA | WASHER | | X | | |
| 446 | 0CK216 | 514404Z03 | PERNO SUPPORTO MOTORE | MOTOR PIN SUPPORT | | | | |
| 447 | 0CK592 | 9F92263600 | KIT SCARICO ACCIAIO | STEEL PIPES | | | | |
| 448 | 0CK593 | 9F92263700 | KIT SCARICO PLASTICA | PLASTIC PIPES | | | | |

SKYLINE – KIT DI MANUTENZIONE – MAINTENANCE KIT

| Spare Part Code KIT | Description KIT | Spare Part Code | S.P. Q.ty | Spare part position | Descrizione Spare part | Spare part Description | Ref./Note |
|---------------------|------------------------|-----------------|-----------|---------------------|---------------------------|------------------------|---------------------------------------|
| 0CK360 | SKL OV PM KIT 1 | | | | | | 10 GN 1/1 - BOILER/ BOILERLESS |
| | | 0CK120 | 1 | 115 | GUARNIZIONE CELLA-PORTA | DOOR GASKET | |
| | | 0CK226 | 1 | 118 | FILTRO ARIA | AIR FILTER | |
| | | 0CK195 | 1 | 125 | VALVOLA SCARICO VASCHETTA | CHECK VALVE | |
| | | 0CK323 | 1 | 131 | BOCCOLA IGUS | BUSH IGUS | |
| | | 0CK119 | 2 | 403 | GUARN. CANDELINA ACC.NE | IGNITION ROD GASKET | |
| | | 0CK115 | 2 | 405-432 | GUARNIZIONE BRUCIATORE | BURNER GASKET | |
| | | 0CK116 | 2 | 405-432 | GUARNIZIONE BRUCIATORE | BURNER GASKET | |
| 0CK361 | SKL OV PM KIT 2 | | | | | | 6 GN 2/1 - BOILER/ BOILERLESS |
| | | 0CK121 | 1 | 115 | GUARNIZIONE CELLA-PORTA | DOOR GASKET | |
| | | 0CK226 | 1 | 118 | FILTRO ARIA | AIR FILTER | |
| | | 0CK195 | 1 | 125 | VALVOLA SCARICO VASCHETTA | CHECK VALVE | |
| | | 0CK323 | 1 | 131 | BOCCOLA IGUS | BUSH IGUS | |
| | | 0CK119 | 2 | 403 | GUARN. CANDELINA ACC.NE | IGNITION ROD GASKET | |
| | | 0CK115 | 2 | 405-432 | GUARNIZIONE BRUCIATORE | BURNER GASKET | |
| | | 0CK116 | 2 | 405-432 | GUARNIZIONE BRUCIATORE | BURNER GASKET | |
| 0CK362 | SKL OV PM KIT 3 | | | | | | 6 GN 1/1 - BOILER/ BOILERLESS |
| | | 0CK222 | 1 | 115 | GUARNIZIONE CELLA-PORTA | DOOR GASKET | |
| | | 0CK226 | 1 | 118 | FILTRO ARIA | AIR FILTER | |
| | | 0CK195 | 1 | 125 | VALVOLA SCARICO VASCHETTA | CHECK VALVE | |
| | | 0CK323 | 1 | 131 | BOCCOLA IGUS | BUSH IGUS | |
| | | 0CK119 | 2 | 403 | GUARN. CANDELINA ACC.NE | IGNITION ROD GASKET | |
| | | 0CK115 | 2 | 405-432 | GUARNIZIONE BRUCIATORE | BURNER GASKET | |
| | | 0CK116 | 2 | 405-432 | GUARNIZIONE BRUCIATORE | BURNER GASKET | |
| 0CK363 | SKL OV PM KIT 4 | | | | | | 10 GN 2/1 - BOILER/ BOILERLESS |
| | | 0CK223 | 1 | 115 | GUARNIZIONE CELLA-PORTA | DOOR GASKET | |
| | | 0CK226 | 1 | 118 | FILTRO ARIA | AIR FILTER | |
| | | 0CK195 | 1 | 125 | VALVOLA SCARICO VASCHETTA | CHECK VALVE | |
| | | 0CK323 | 1 | 131 | BOCCOLA IGUS | BUSH IGUS | |
| | | 0CK119 | 2 | 403 | GUARN. CANDELINA ACC.NE | IGNITION ROD GASKET | |
| | | 0CK115 | 2 | 405-432 | GUARNIZIONE BRUCIATORE | BURNER GASKET | |
| | | 0CK116 | 2 | 405-432 | GUARNIZIONE BRUCIATORE | BURNER GASKET | |

SKYLINE – KIT DI MANUTENZIONE – MAINTENANCE KIT

| Spare Part Code KIT | Description KIT | Spare Part Code | S.P. Q.ty | Spare part position | Descrizione Spare part | Spare part Description | Ref./Note |
|---------------------|------------------------|-----------------|-----------|---------------------|---------------------------------|------------------------|--------------------------------------|
| 0CK364 | SKL OV PM KIT 5 | | | | | | 10 GN 1/1 - BOILER/BOILERLESS |
| | | 0CK120 | 1 | 115 | GUARNIZIONE CELLA-PORTA | DOOR GASKET | |
| | | 0CK226 | 1 | 118 | FILTRO ARIA | AIR FILTER | |
| | | 0CK195 | 1 | 125 | VALVOLA SCARICO VASCHETTA | CHECK VALVE | |
| | | 0CK323 | 1 | 131 | BOCCOLA IGUS | BUSH IGUS | |
| | | 0CK119 | 2 | 403 | GUARN. CANDELINA ACC.NE | IGNITION ROD GASKET | |
| | | 0CK115 | 2 | 405-432 | GUARNIZIONE BRUCIATORE | BURNER GASKET | |
| | | 0CK116 | 2 | 405-432 | GUARNIZIONE BRUCIATORE | BURNER GASKET | |
| | | 0CK143 | 1 | 111 | MECCANISMO CHIUSURA PORTA | CLOSING MECHANISM | |
| | | 0CK087 | 1 | 313 | CILINDRO PASTIGLIE | CYLINDER FOR TABS | |
| | | 0CK322 | 1 | 357 | ASSIEME TAPPO SERBATOIO CHIMICA | CUP TANK ASSEMBLY | |
| 0CK365 | SKL OV PM KIT 6 | | | | | | 6 GN 2/1 - BOILER/BOILERLESS |
| | | 0CK121 | 1 | 115 | GUARNIZIONE CELLA-PORTA | DOOR GASKET | |
| | | 0CK226 | 1 | 118 | FILTRO ARIA | AIR FILTER | |
| | | 0CK195 | 1 | 125 | VALVOLA SCARICO VASCHETTA | CHECK VALVE | |
| | | 0CK323 | 1 | 131 | BOCCOLA IGUS | BUSH IGUS | |
| | | 0CK119 | 2 | 403 | GUARN. CANDELINA ACC.NE | IGNITION ROD GASKET | |
| | | 0CK115 | 2 | 405-432 | GUARNIZIONE BRUCIATORE | BURNER GASKET | |
| | | 0CK116 | 2 | 405-432 | GUARNIZIONE BRUCIATORE | BURNER GASKET | |
| | | 0CK143 | 1 | 111 | MECCANISMO CHIUSURA PORTA | CLOSING MECHANISM | |
| | | 0CK087 | 1 | 313 | CILINDRO PASTIGLIE | CYLINDER FOR TABS | |
| | | 0CK322 | 1 | 357 | ASSIEME TAPPO SERBATOIO CHIMICA | CUP TANK ASSEMBLY | |
| 0CK366 | SKL OV PM KIT 7 | | | | | | 6 GN 1/1 - BOILER/BOILERLESS |
| | | 0CK222 | 1 | 115 | GUARNIZIONE CELLA-PORTA | DOOR GASKET | |
| | | 0CK226 | 1 | 118 | FILTRO ARIA | AIR FILTER | |
| | | 0CK195 | 1 | 125 | VALVOLA SCARICO VASCHETTA | CHECK VALVE | |
| | | 0CK323 | 1 | 131 | BOCCOLA IGUS | BUSH IGUS | |
| | | 0CK119 | 2 | 403 | GUARN. CANDELINA ACC.NE | IGNITION ROD GASKET | |
| | | 0CK115 | 2 | 405-432 | GUARNIZIONE BRUCIATORE | BURNER GASKET | |
| | | 0CK116 | 2 | 405-432 | GUARNIZIONE BRUCIATORE | BURNER GASKET | |
| | | 0CK143 | 1 | 111 | MECCANISMO CHIUSURA PORTA | CLOSING MECHANISM | |
| | | 0CK087 | 1 | 313 | CILINDRO PASTIGLIE | CYLINDER FOR TABS | |
| | | 0CK322 | 1 | 357 | ASSIEME TAPPO SERBATOIO CHIMICA | CUP TANK ASSEMBLY | |

SKYLINE – KIT DI MANUTENZIONE – MAINTENANCE KIT

| Spare Part Code KIT | Description KIT | Spare Part Code | S.P. Q.ty | Spare part position | Descrizione Spare part | Spare part Description | Ref./Note |
|---------------------|-------------------------|-----------------|-----------|---------------------|---------------------------------|------------------------|--------------------------------------|
| 0CK367 | SKL OV PM KIT 8 | | | | | | 10 GN 2/1 - BOILER/BOILERLESS |
| | | 0CK223 | 1 | 115 | GUARNIZIONE CELLA-PORTA | DOOR GASKET | |
| | | 0CK226 | 1 | 118 | FILTRO ARIA | AIR FILTER | |
| | | 0CK195 | 1 | 125 | VALVOLA SCARICO VASCHETTA | CHECK VALVE | |
| | | 0CK323 | 1 | 131 | BOCCOLA IGUS | BUSH IGUS | |
| | | 0CK119 | 2 | 403 | GUARN. CANDELINA ACC.NE | IGNITION ROD GASKET | |
| | | 0CK115 | 2 | 405-432 | GUARNIZIONE BRUCIATORE | BURNER GASKET | |
| | | 0CK116 | 2 | 405-432 | GUARNIZIONE BRUCIATORE | BURNER GASKET | |
| | | 0CK143 | 1 | 111 | MECCANISMO CHIUSURA PORTA | CLOSING MECHANISM | |
| | | 0CK087 | 1 | 313 | CILINDRO PASTIGLIE | CYLINDER FOR TABS | |
| | | 0CK322 | 1 | 357 | ASSIEME TAPPO SERBATOIO CHIMICA | CUP TANK ASSEMBLY | |
| 0CK368 | SKL OV PM KIT 9 | | | | | | 10 GN 1/1 - BOILERLESS |
| | | 0CK120 | 1 | 115 | GUARNIZIONE CELLA-PORTA | DOOR GASKET | |
| | | 0CK226 | 1 | 118 | FILTRO ARIA | AIR FILTER | |
| | | 0CK195 | 1 | 125 | VALVOLA SCARICO VASCHETTA | CHECK VALVE | |
| | | 0CK323 | 1 | 131 | BOCCOLA IGUS | BUSH IGUS | |
| | | 0CK119 | 2 | 403 | GUARN. CANDELINA ACC.NE | IGNITION ROD GASKET | |
| | | 0CK115 | 2 | 405-432 | GUARNIZIONE BRUCIATORE | BURNER GASKET | |
| | | 0CK116 | 2 | 405-432 | GUARNIZIONE BRUCIATORE | BURNER GASKET | |
| | | 0C4260 | 1 | 444 | CENTRALINA CONTROLLO FIAMMA | FLAME CONTROL DEVICE | |
| 0CK369 | SKL OV PM KIT 10 | | | | | | 10 GN 1/1 - BOILER |
| | | 0CK120 | 1 | 115 | GUARNIZIONE CELLA-PORTA | DOOR GASKET | |
| | | 0CK226 | 1 | 118 | FILTRO ARIA | AIR FILTER | |
| | | 0CK195 | 1 | 125 | VALVOLA SCARICO VASCHETTA | CHECK VALVE | |
| | | 0CK323 | 1 | 131 | BOCCOLA IGUS | BUSH IGUS | |
| | | 0CK119 | 2 | 403 | GUARN. CANDELINA ACC.NE | IGNITION ROD GASKET | |
| | | 0CK115 | 2 | 405-432 | GUARNIZIONE BRUCIATORE | BURNER GASKET | |
| | | 0CK116 | 2 | 405-432 | GUARNIZIONE BRUCIATORE | BURNER GASKET | |
| | | 0C4260 | 2 | 444 | CENTRALINA CONTROLLO FIAMMA | FLAME CONTROL DEVICE | |
| 0CK370 | SKL OV PM KIT 11 | | | | | | 6 GN 2/1 - BOILERLESS |
| | | 0CK121 | 1 | 115 | GUARNIZIONE CELLA-PORTA | DOOR GASKET | |
| | | 0CK226 | 1 | 118 | FILTRO ARIA | AIR FILTER | |
| | | 0CK195 | 1 | 125 | VALVOLA SCARICO VASCHETTA | CHECK VALVE | |
| | | 0CK323 | 1 | 131 | BOCCOLA IGUS | BUSH IGUS | |
| | | 0CK119 | 2 | 403 | GUARN. CANDELINA ACC.NE | IGNITION ROD GASKET | |
| | | 0CK115 | 2 | 405-432 | GUARNIZIONE BRUCIATORE | BURNER GASKET | |
| | | 0CK116 | 2 | 405-432 | GUARNIZIONE BRUCIATORE | BURNER GASKET | |
| | | 0C4260 | 1 | 444 | CENTRALINA CONTROLLO FIAMMA | FLAME CONTROL DEVICE | |

SKYLINE – KIT DI MANUTENZIONE – MAINTENANCE KIT

| Spare Part Code KIT | Description KIT | Spare Part Code | S.P. Q.ty | Spare part position | Descrizione Spare part | Spare part Description | Ref./Note |
|---------------------|-------------------------|-----------------|-----------|---------------------|-----------------------------|------------------------|-------------------------------|
| 0CK371 | SKL OV PM KIT 12 | | | | | | 6 GN 2/1 - BOILER |
| | | 0CK121 | 1 | 115 | GUARNIZIONE CELLA-PORTA | DOOR GASKET | |
| | | 0CK226 | 1 | 118 | FILTRO ARIA | AIR FILTER | |
| | | 0CK195 | 1 | 125 | VALVOLA SCARICO VASCHETTA | CHECK VALVE | |
| | | 0CK323 | 1 | 131 | BOCCOLA IGUS | BUSH IGUS | |
| | | 0CK119 | 2 | 403 | GUARN. CANDELINA ACC.NE | IGNITION ROD GASKET | |
| | | 0CK115 | 2 | 405-432 | GUARNIZIONE BRUCIATORE | BURNER GASKET | |
| | | 0CK116 | 2 | 405-432 | GUARNIZIONE BRUCIATORE | BURNER GASKET | |
| | | 0C4260 | 2 | 444 | CENTRALINA CONTROLLO FIAMMA | FLAME CONTROL DEVICE | |
| 0CK372 | SKL OV PM KIT 13 | | | | | | 6 GN 1/1 - BOILERLESS |
| | | 0CK222 | 1 | 115 | GUARNIZIONE CELLA-PORTA | DOOR GASKET | |
| | | 0CK226 | 1 | 118 | FILTRO ARIA | AIR FILTER | |
| | | 0CK195 | 1 | 125 | VALVOLA SCARICO VASCHETTA | CHECK VALVE | |
| | | 0CK323 | 1 | 131 | BOCCOLA IGUS | BUSH IGUS | |
| | | 0CK119 | 2 | 403 | GUARN. CANDELINA ACC.NE | IGNITION ROD GASKET | |
| | | 0CK115 | 2 | 405-432 | GUARNIZIONE BRUCIATORE | BURNER GASKET | |
| | | 0CK116 | 2 | 405-432 | GUARNIZIONE BRUCIATORE | BURNER GASKET | |
| | | 0C4260 | 1 | 444 | CENTRALINA CONTROLLO FIAMMA | FLAME CONTROL DEVICE | |
| 0CK373 | SKL OV PM KIT 14 | | | | | | 6 GN 1/1 - BOILER |
| | | 0CK222 | 1 | 115 | GUARNIZIONE CELLA-PORTA | DOOR GASKET | |
| | | 0CK226 | 1 | 118 | FILTRO ARIA | AIR FILTER | |
| | | 0CK195 | 1 | 125 | VALVOLA SCARICO VASCHETTA | CHECK VALVE | |
| | | 0CK323 | 1 | 131 | BOCCOLA IGUS | BUSH IGUS | |
| | | 0CK119 | 2 | 403 | GUARN. CANDELINA ACC.NE | IGNITION ROD GASKET | |
| | | 0CK115 | 2 | 405-432 | GUARNIZIONE BRUCIATORE | BURNER GASKET | |
| | | 0CK116 | 2 | 405-432 | GUARNIZIONE BRUCIATORE | BURNER GASKET | |
| | | 0C4260 | 2 | 444 | CENTRALINA CONTROLLO FIAMMA | FLAME CONTROL DEVICE | |
| 0CK374 | SKL OV PM KIT 15 | | | | | | 10 GN 2/1 - BOILERLESS |
| | | 0CK223 | 1 | 115 | GUARNIZIONE CELLA-PORTA | DOOR GASKET | |
| | | 0CK226 | 1 | 118 | FILTRO ARIA | AIR FILTER | |
| | | 0CK195 | 1 | 125 | VALVOLA SCARICO VASCHETTA | CHECK VALVE | |
| | | 0CK323 | 1 | 131 | BOCCOLA IGUS | BUSH IGUS | |
| | | 0CK119 | 2 | 403 | GUARN. CANDELINA ACC.NE | IGNITION ROD GASKET | |
| | | 0CK115 | 2 | 405-432 | GUARNIZIONE BRUCIATORE | BURNER GASKET | |
| | | 0CK116 | 2 | 405-432 | GUARNIZIONE BRUCIATORE | BURNER GASKET | |
| | | 0C4260 | 1 | 444 | CENTRALINA CONTROLLO FIAMMA | FLAME CONTROL DEVICE | |

SKYLINE – KIT DI MANUTENZIONE – MAINTENANCE KIT

| Spare Part Code KIT | Description KIT | Spare Part Code | S.P. Q.ty | Spare part position | Descrizione Spare part | Spare part Description | Ref./Note |
|---------------------|-------------------------|-----------------|-----------|---------------------|---------------------------------|--------------------------------|---------------------------------------|
| 0CK375 | SKL OV PM KIT 16 | | | | | | 10 GN 2/1 - BOILER |
| | | 0CK223 | 1 | 115 | GUARNIZIONE CELLA-PORTA | DOOR GASKET | |
| | | 0CK226 | 1 | 118 | FILTRO ARIA | AIR FILTER | |
| | | 0CK195 | 1 | 125 | VALVOLA SCARICO VASCHETTA | CHECK VALVE | |
| | | 0CK323 | 1 | 131 | BOCCOLA IGUS | BUSH IGUS | |
| | | 0CK119 | 2 | 403 | GUARN. CANDELINA ACC.NE | IGNITION ROD GASKET | |
| | | 0CK115 | 2 | 405-432 | GUARNIZIONE BRUCIATORE | BURNER GASKET | |
| | | 0CK116 | 2 | 405-432 | GUARNIZIONE BRUCIATORE | BURNER GASKET | |
| | | 0C4260 | 2 | 444 | CENTRALINA CONTROLLO FIAMMA | FLAME CONTROL DEVICE | |
| 0CK376 | SKL OV PM KIT 17 | | | | | | 10 GN 1/1 - BOILER/ BOILERLESS |
| | | 0CK120 | 1 | 115 | GUARNIZIONE CELLA-PORTA | DOOR GASKET | |
| | | 0CK226 | 1 | 118 | FILTRO ARIA | AIR FILTER | |
| | | 0CK195 | 1 | 125 | VALVOLA SCARICO VASCHETTA | CHECK VALVE | |
| | | 0CK323 | 1 | 131 | BOCCOLA IGUS | BUSH IGUS | |
| | | 0CK193 | 1 | 329 | VALVOLA MOTORIZZATA | MOTORIZED BALL VALVE | |
| | | 0CK119 | 2 | 403 | GUARN. CANDELINA ACC.NE | IGNITION ROD GASKET | |
| | | 0CK115 | 2 | 405-432 | GUARNIZIONE BRUCIATORE | BURNER GASKET | |
| | | 0CK116 | 2 | 405-432 | GUARNIZIONE BRUCIATORE | BURNER GASKET | |
| | | 0CK156 | 1 | 300 | POMPA LAVAGGIO 220-240V 50/60HZ | CLEANING PUMP 220-240V 50/60HZ | |
| 0CK377 | SKL OV PM KIT 18 | | | | | | 6 GN 2/1 - BOILER/ BOILERLESS |
| | | 0CK121 | 1 | 115 | GUARNIZIONE CELLA-PORTA | DOOR GASKET | |
| | | 0CK226 | 1 | 118 | FILTRO ARIA | AIR FILTER | |
| | | 0CK195 | 1 | 125 | VALVOLA SCARICO VASCHETTA | CHECK VALVE | |
| | | 0CK323 | 1 | 131 | BOCCOLA IGUS | BUSH IGUS | |
| | | 0CK193 | 1 | 329 | VALVOLA MOTORIZZATA | MOTORIZED BALL VALVE | |
| | | 0CK119 | 2 | 403 | GUARN. CANDELINA ACC.NE | IGNITION ROD GASKET | |
| | | 0CK115 | 2 | 405-432 | GUARNIZIONE BRUCIATORE | BURNER GASKET | |
| | | 0CK116 | 2 | 405-432 | GUARNIZIONE BRUCIATORE | BURNER GASKET | |
| | | 0CK156 | 1 | 300 | POMPA LAVAGGIO 220-240V 50/60HZ | CLEANING PUMP 220-240V 50/60HZ | |

SKYLINE – KIT DI MANUTENZIONE – MAINTENANCE KIT

| Spare Part Code KIT | Description KIT | Spare Part Code | S.P. Q.ty | Spare part position | Descrizione Spare part | Spare part Description | Ref./Note |
|---------------------|-------------------------|-----------------|-----------|---------------------|---------------------------------|--------------------------------|---------------------------------------|
| 0CK378 | SKL OV PM KIT 19 | | | | | | 6 GN 1/1 - BOILER/ BOILERLESS |
| | | 0CK222 | 1 | 115 | GUARNIZIONE CELLA-PORTA | DOOR GASKET | |
| | | 0CK226 | 1 | 118 | FILTRO ARIA | AIR FILTER | |
| | | 0CK195 | 1 | 125 | VALVOLA SCARICO VASCHETTA | CHECK VALVE | |
| | | 0CK323 | 1 | 131 | BOCCOLA IGUS | BUSH IGUS | |
| | | 0CK193 | 1 | 329 | VALVOLA MOTORIZZATA | MOTORIZED BALL VALVE | |
| | | 0CK119 | 2 | 403 | GUARN. CANDELINA ACC.NE | IGNITION ROD GASKET | |
| | | 0CK115 | 2 | 405-432 | GUARNIZIONE BRUCIATORE | BURNER GASKET | |
| | | 0CK116 | 2 | 405-432 | GUARNIZIONE BRUCIATORE | BURNER GASKET | |
| | | 0CK156 | 1 | 300 | POMPA LAVAGGIO 220-240V 50/60HZ | CLEANING PUMP 220-240V 50/60HZ | |
| 0CK379 | SKL OV PM KIT 20 | | | | | | 10 GN 2/1 - BOILER/ BOILERLESS |
| | | 0CK223 | 1 | 115 | GUARNIZIONE CELLA-PORTA | DOOR GASKET | |
| | | 0CK226 | 1 | 118 | FILTRO ARIA | AIR FILTER | |
| | | 0CK195 | 1 | 125 | VALVOLA SCARICO VASCHETTA | CHECK VALVE | |
| | | 0CK323 | 1 | 131 | BOCCOLA IGUS | BUSH IGUS | |
| | | 0CK193 | 1 | 329 | VALVOLA MOTORIZZATA | MOTORIZED BALL VALVE | |
| | | 0CK119 | 2 | 403 | GUARN. CANDELINA ACC.NE | IGNITION ROD GASKET | |
| | | 0CK115 | 2 | 405-432 | GUARNIZIONE BRUCIATORE | BURNER GASKET | |
| | | 0CK116 | 2 | 405-432 | GUARNIZIONE BRUCIATORE | BURNER GASKET | |
| | | 0CK156 | 1 | 300 | POMPA LAVAGGIO 220-240V 50/60HZ | CLEANING PUMP 220-240V 50/60HZ | |

Electrolux Professional SpA
Viale Treviso, 15
33170 Pordenone, ITALY
Fax (+39) 0434 380 201
<https://www.electroluxprofessional.com>
<https://webgate.electroluxprofessional.com>