

SKYLINE ELECTRIC OVEN FORNO ELETTRICO SKYLINE

Type Reference	Ref	Page	Description	note
COE61C20	a		6 grids GN 1/1 - touch convect - double glass - Standard	
COE61C2K	b		6 grids GN 1/1 - touch convect - double glass - Smoker/Aromatizer	
COE61C30	c		6 grids GN 1/1 - touch convect - triple glass - Standard	
COE61D20	d		6 grids GN 1/1 - digital steam - double glass - Standard	
COE61T20	e		6 grids GN 1/1 - touch steam - double glass - Standard	
COE61T2K	f		6 grids GN 1/1 - touch steam - double glass - Smoker/Aromatizer	
COE61T30	g		6 grids GN 1/1 - touch steam - triple glass - Standard	
COE61V20	h		6 grids GN 1/1 - digital convect - double glass - Standard	
COE62C20	i		6 grids GN 2/1 - touch convect - double glass - Standard	
COE62C2K	j		6 grids GN 2/1 - touch convect - double glass - Smoker/Aromatizer	
COE62C30	k		6 grids GN 2/1 - touch convect - triple glass - Standard	
COE62D20	l		6 grids GN 2/1 - digital steam - double glass - Standard	
COE62T20	m		6 grids GN 2/1 - touch steam - double glass - Standard	
COE62T2K	n		6 grids GN 2/1 - touch steam - double glass - Smoker/Aromatizer	
COE62T30	o		6 grids GN 2/1 - touch steam - triple glass - Standard	
COE62V20	p		6 grids GN 2/1 - digital convect - double glass - Standard	
COE11C20	q		10 grids GN 1/1 - touch convect - double glass - Standard	
COE11C30	r		10 grids GN 1/1 - touch convect - triple glass - Standard	
COE11D20	s		10 grids GN 1/1 - digital steam - double glass - Standard	
COE11T20	t		10 grids GN 1/1 - touch steam - double glass - Standard	
COE11T30	u		10 grids GN 1/1 - touch steam - triple glass - Standard	
COE11V20	v		10 grids GN 1/1 - digital convect - double glass - Standard	
COE12C20	w		10 grids GN 2/1 - touch convect - double glass - Standard	
COE12C30	x		10 grids GN 2/1 - touch convect - triple glass - Standard	
COE12D20	y		10 grids GN 2/1 - digital steam - double glass - Standard	
COE12T20	z		10 grids GN 2/1 - touch steam - double glass - Standard	
COE12T30	a1		10 grids GN 2/1 - touch steam - triple glass - Standard	
COE12V20	b1		10 grids GN 2/1 - digital convect - double glass - Standard	

Index

Description Type Reference/Descrizione Type Reference
 Oven cabinet and door/Cella forno e porta
 Electrical components/Componenti elettrici
 Water system/Impianto idraulico
 Boiler
 Preventive Maintenance KIT
 Spare parts list / Lista ricambi
 Maintenance Kit list / Lista KIT di manutenzione

Page

2
 3
 4
 5
 6
 7
 8-27
 28-30

Bold=last change / Grassetto =ultima modifica

V = Vital spare part/Ricambio vitale
 W&T = Wear&Tear and Consumable/
 Ricambio usurabile e consumabile
 S = Suggested/Ricambio suggerito

Rev. 11

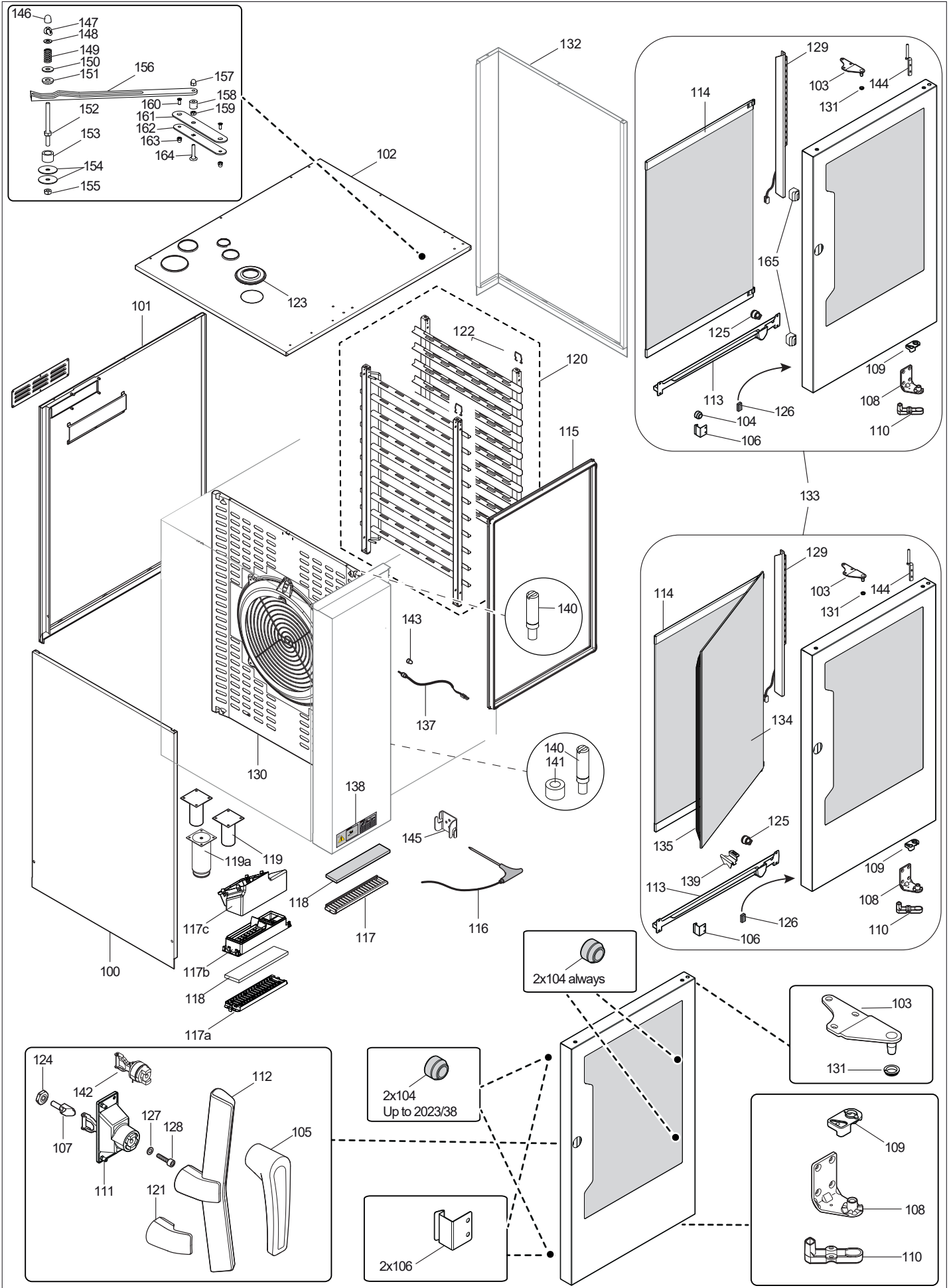
COE * * *

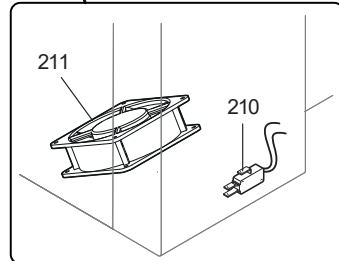
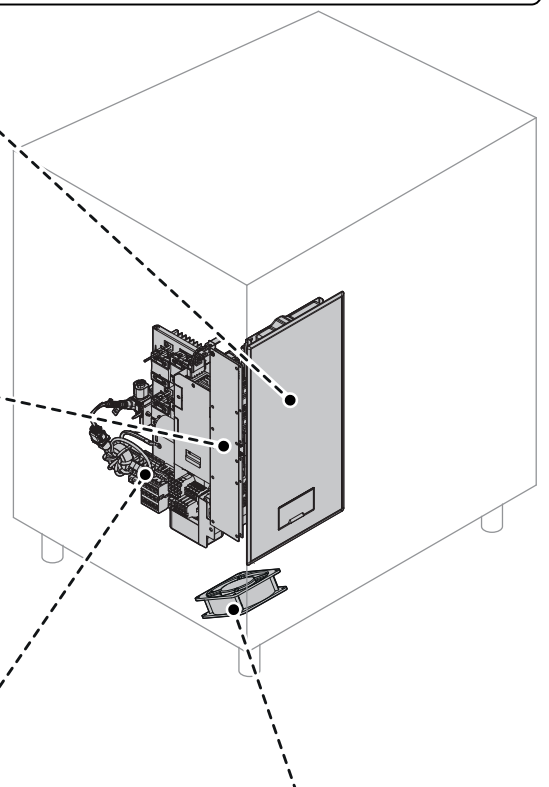
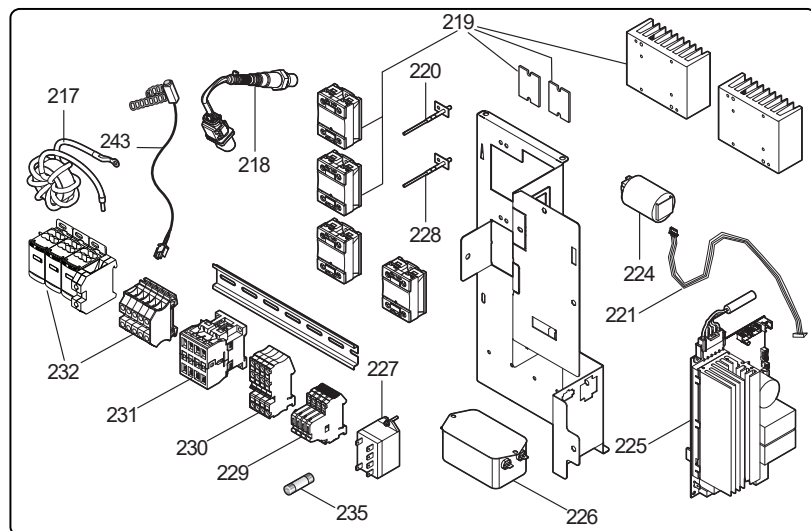
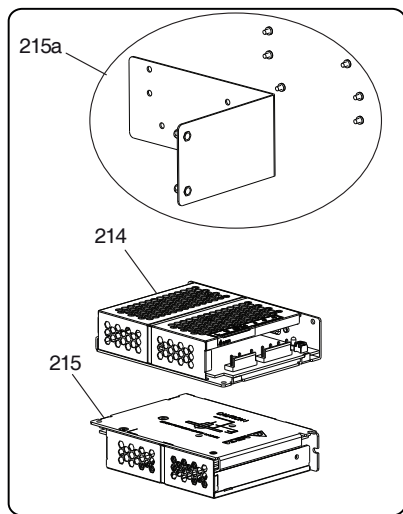
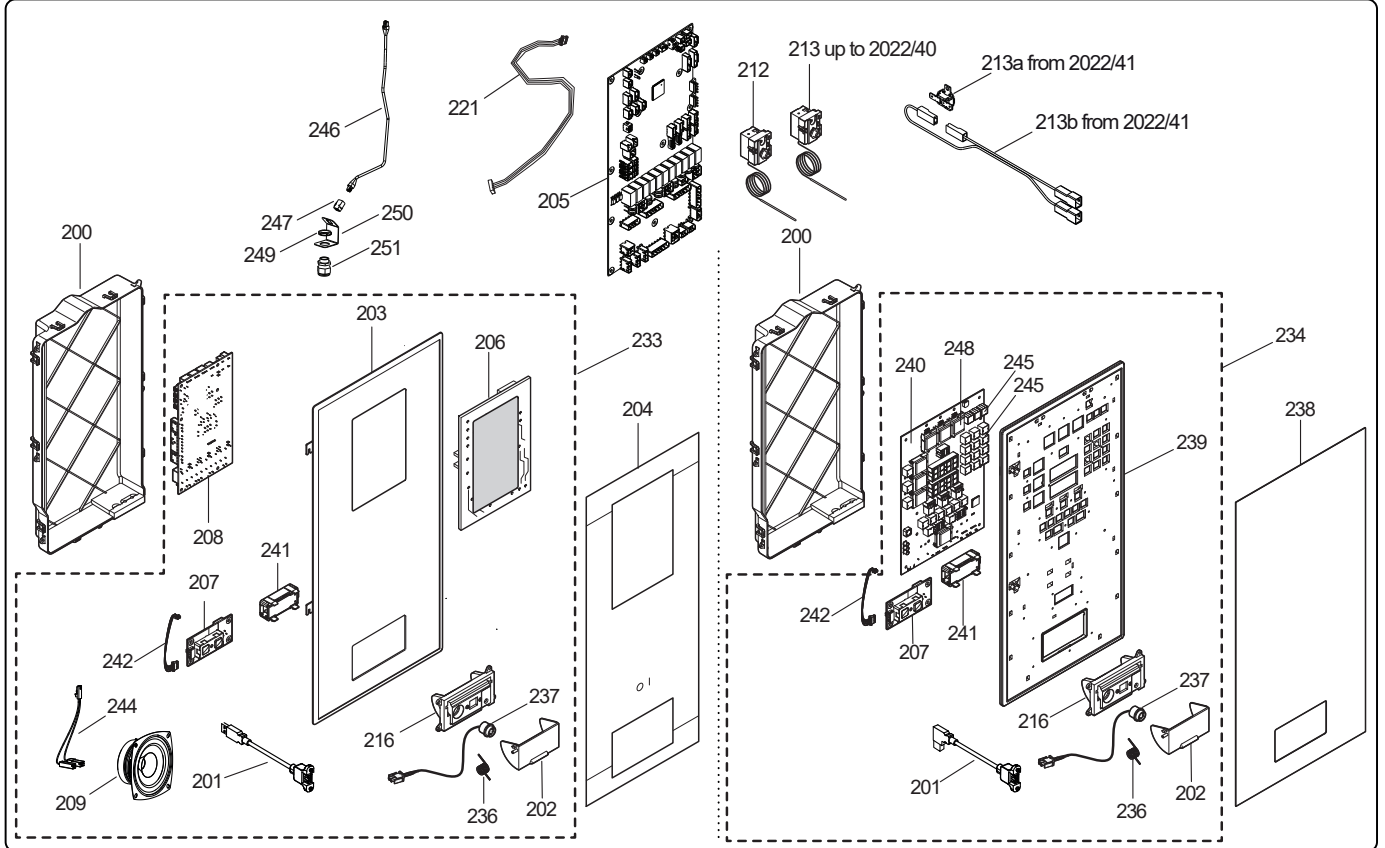
K = Smoker/Aromatizer
0 = Standard

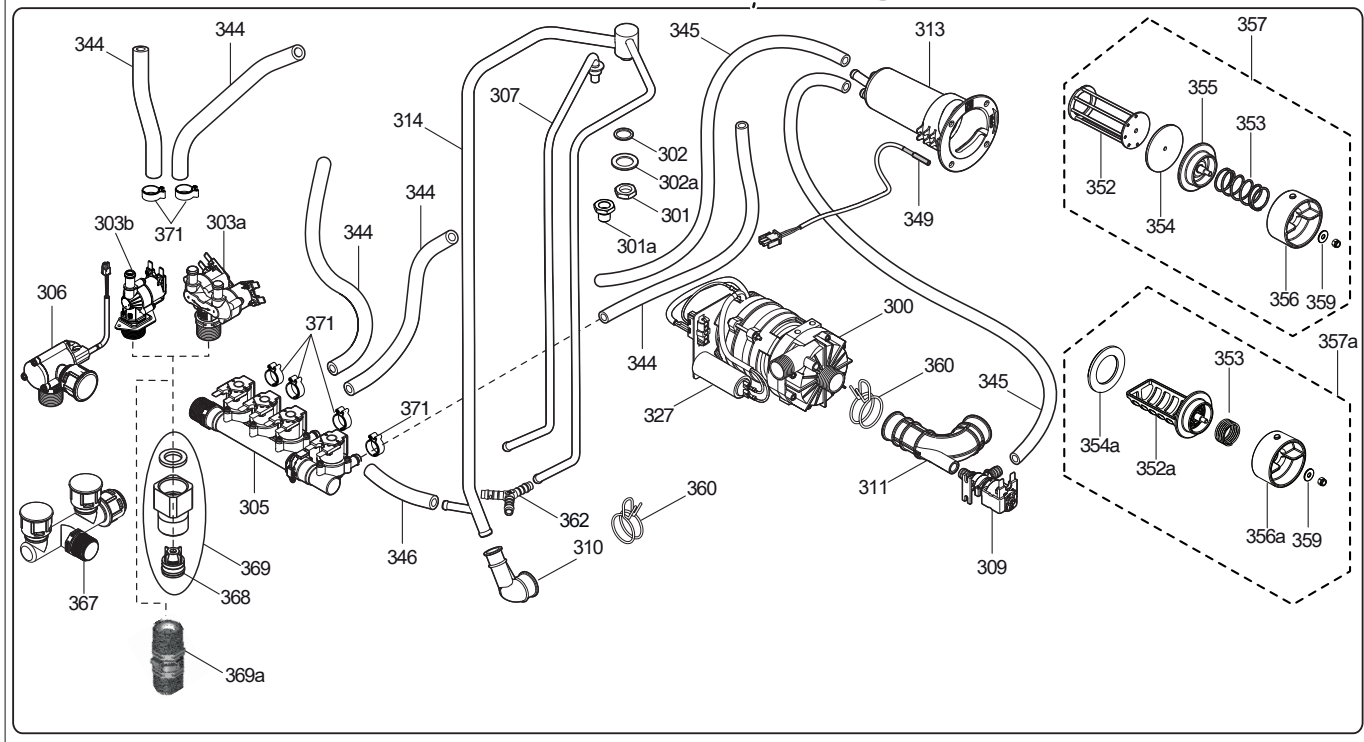
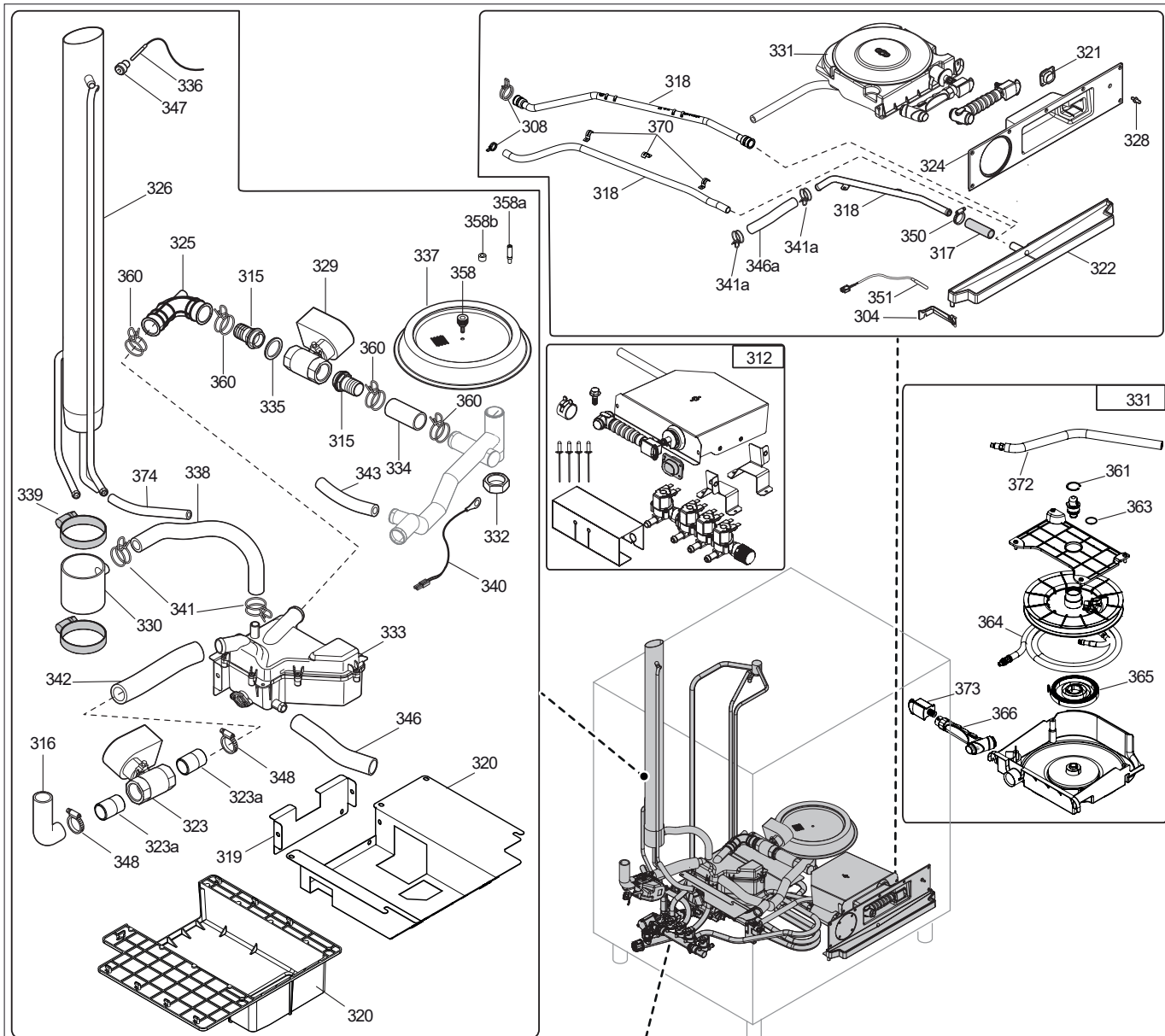
T2 = touch steam - double glass
T3 = touch steam - triple glass
C2 = touch convect – double glass
C3 = touch convect – triple glass
D2 = digital steam – double glass
D3 = digital steam – triple glass
V2 = digital convect – double glass
V3 = digital convect – triple glass

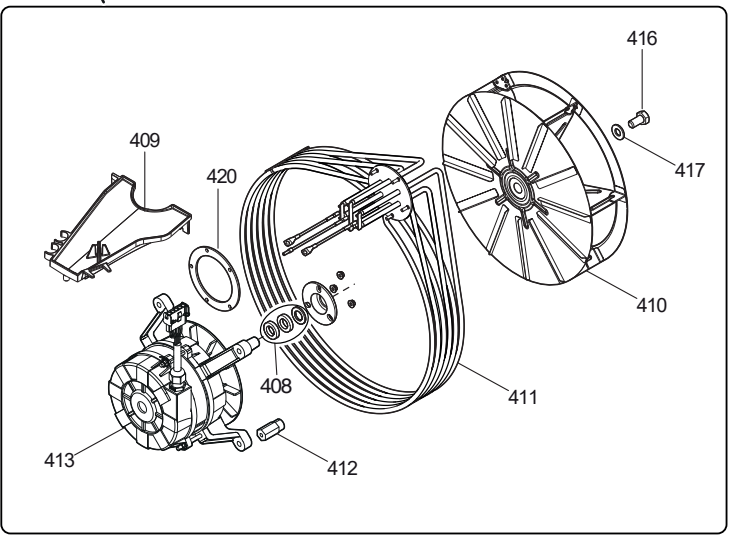
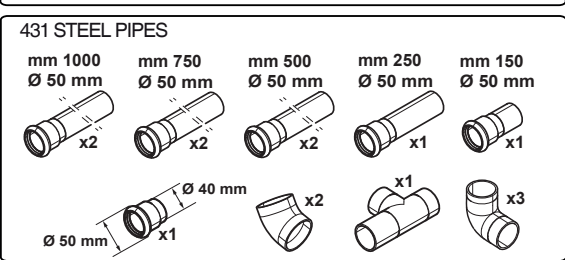
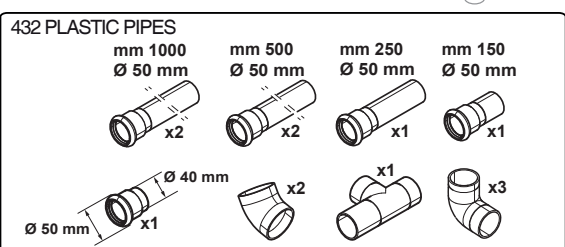
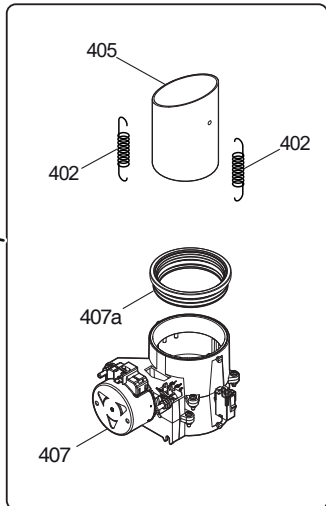
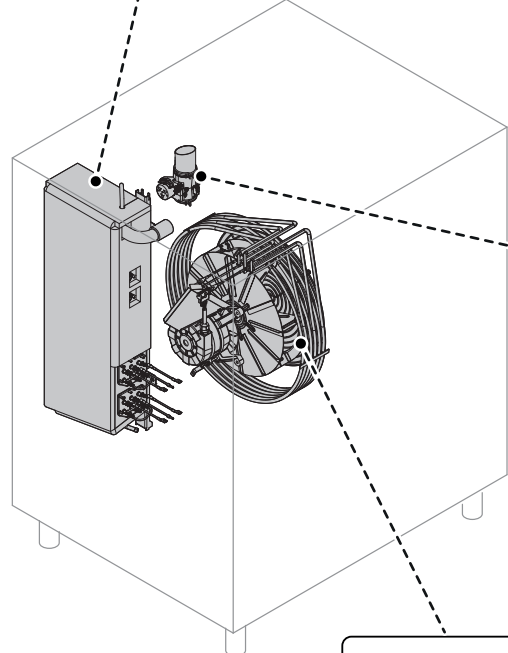
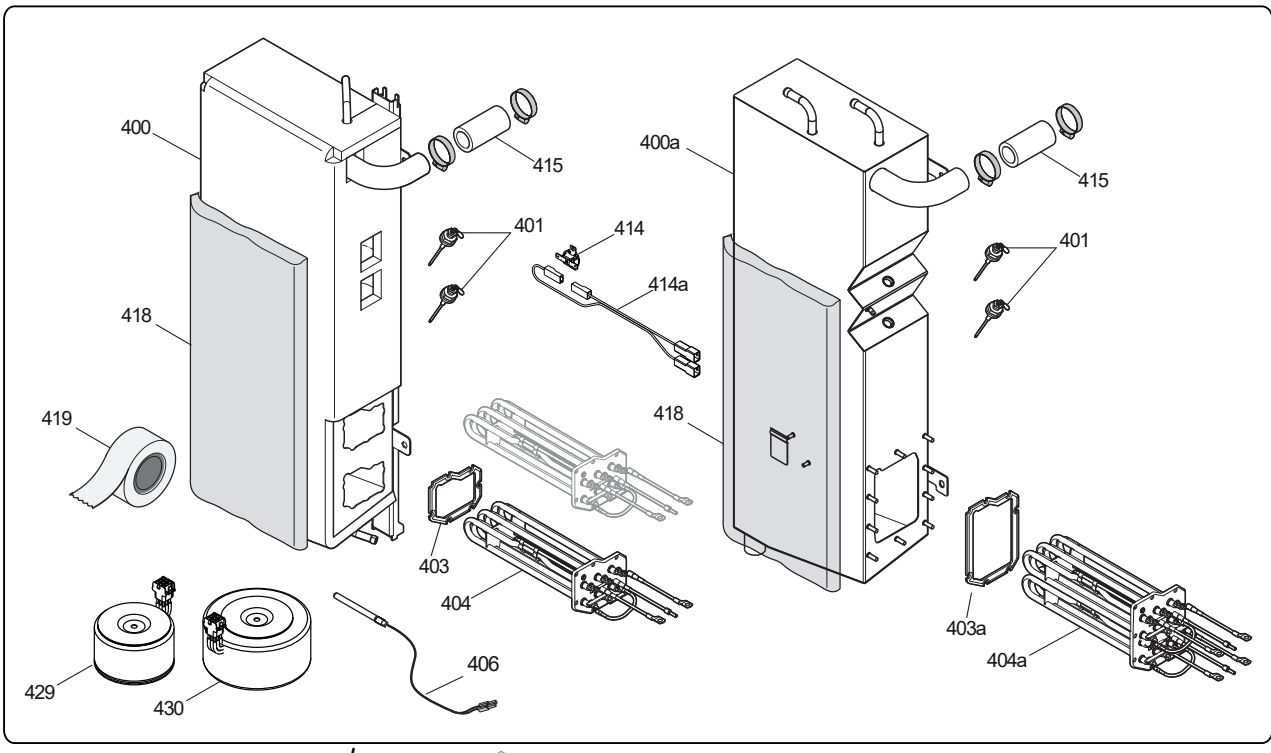
61 = 6 grids GN1/1
62 = 6 grids GN2/1
11 = 10 grids GN1/1
12 = 10 grids GN2/1
21 = 20 grids GN1/1
22 = 20 grids G21/1

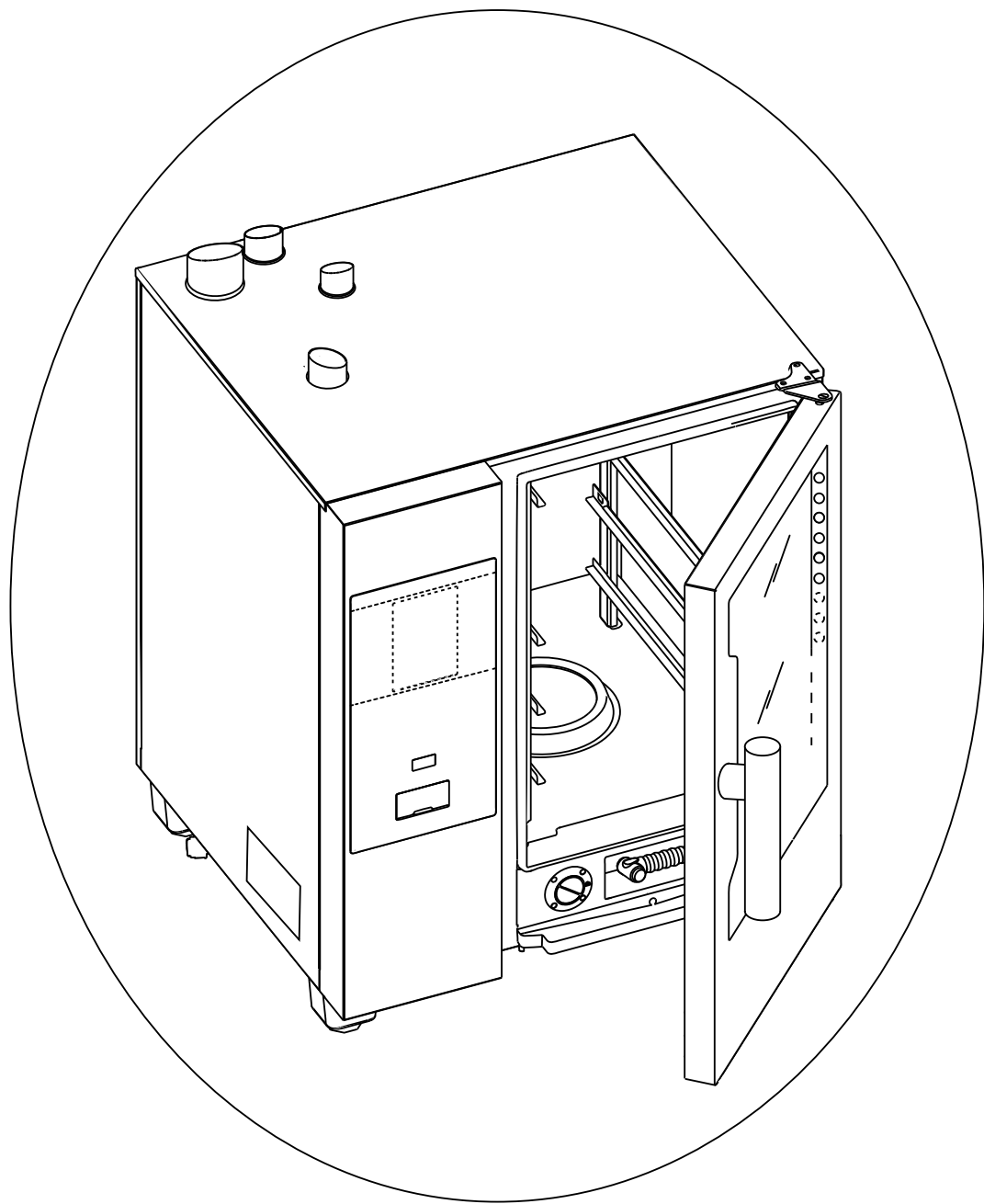
COE = Combi Oven Electric











- PPM1
- PPM2
- PPM3
- PPM4
- PPM5
- PPM6
- PPM7
- PPM8
- PPM9
- PPM10
- PPM11
- PPM12
- PPM13
- PPM14
- PPM15
- PPM16

SKYLINE							
Pos	Spare part Code	Factory code	Descrizione	Description	V	W & T	Ref./Notes
100	0CK103	503404P02	FIANCO SINISTRO 6 1/1	LEFT PANEL 6 1/1			a;b;c;d;e;f;g;h Up to 2020/12
100	0CK591	503404P04	FIANCO SINISTRO 6 1/1	LEFT PANEL 6 1/1			a;b;c;d;e;f;g;h From 2020/13
100	0CK102	503404Q02	FIANCO SINISTRO 10 1/1	LEFT PANEL 10 1/1			q;r;s;t;u;v Up to 2020/12
100	0CK594	503404Q04	FIANCO SINISTRO 10 1/1	LEFT PANEL 10 1/1			q;r;s;t;u;v From 2020/13
100	0CK104	503405A03	FIANCO SINISTRO 6 2/1	LEFT PANEL 6 2/1			ij;k;l;m;n;o;p
100	0CK227	503405B03	FIANCO SINISTRO 10 2/1	LEFT PANEL 10 2/1			w;x;y;z;a1;b1
101	0CK293	503404R03	SCHIENALE FORNO 6 1/1	BACK PANEL 6 1/1			a;b;c;d;e;f;g;h Up to 2020/12
101	0CK595	503404R04	SCHIENALE FORNO 6 1/1	BACK PANEL 6 1/1			a;b;c;d;e;f;g;h From 2020/13 Up to 2020/42
101	0CK664	50340B100	SCHIENALE FORNO 6 1/1	BACK PANEL 6 1/1			a;b;c;d;e;f;g;h From 2020/43 Up to 2021/16
101	0CK695	50340BA00	SCHIENALE FORNO 6 1/1	BACK PANEL 6 1/1			a;b;c;d;e;f;g;h; From 2021/17
101		50340AR01	SCHIENALE FORNO 6 1/1	BACK PANEL 6 1/1			a;b;c;d;e;f;g;h; Marine Up to 2021/16
101	0CK696	50340BB01	SCHIENALE FORNO 6 1/1	BACK PANEL 6 1/1			a;b;c;d;e;f;g;h; Marine From 2021/17
101	0CK294	503404S03	SCHIENALE FORNO 10 1/1	BACK PANEL 10 1/1			q;r;s;t;u;v Up to 2020/12
101	0CK596	503404S04	SCHIENALE FORNO 10 1/1	BACK PANEL 10 1/1			q;r;s;t;u;v From 2020/13 Up to 2020/42
101	0CK665	50340B200	SCHIENALE FORNO 10 1/1	BACK PANEL 10 1/1			q;r;s;t;u;v From 2020/43 Up to 2021/16
101	0CK693	50340B800	SCHIENALE FORNO 10 1/1	BACK PANEL 10 1/1			q;r;s;t;u;v From 2021/17
101		50340AS01	SCHIENALE FORNO 10 1/1	BACK PANEL 10 1/1			q;r;s;t;u;v Marine Up to 2021/16
101	0CK694	50340B901	SCHIENALE FORNO 10 1/1	BACK PANEL 10 1/1			q;r;s;t;u;v Marine From 2021/17
101	0CK295	503405604	SCHIENALE FORNO 6 2/1	BACK PANEL 6 2/1			ij;k;l;m;n;o;p Up to 2020/42
101	0CK662	50340AZ00	SCHIENALE FORNO 6 2/1	BACK PANEL 6 2/1			ij;k;l;m;n;o;p From 2020/43 Up to 2021/16
101	0CK697	50340BF00	SCHIENALE FORNO 6 2/1	BACK PANEL 6 2/1			ij;k;l;m;n;o;p From 2021/17
101		50340AT01	SCHIENALE FORNO 6 2/1	BACK PANEL 6 2/1			ij;k;l;m;n;o;p Marine Up to 2021/16
101	0CK698	50340BG01	SCHIENALE FORNO 6 2/1	BACK PANEL 6 2/1			ij;k;l;m;n;o;p Marine From 2021/17
101	0CK296	503405704	SCHIENALE FORNO 10 2/1	BACK PANEL 10 2/1			w;x;y;z;a1;b1 Up to 2020/42
101	0CK663	50340B000	SCHIENALE FORNO 10 2/1	BACK PANEL 10 2/1			w;x;y;z;a1;b1 From 2020/43 Up to 2021/16
101	0CK699	50340BH00	SCHIENALE FORNO 10 2/1	BACK PANEL 10 2/1			w;x;y;z;a1;b1 From 2021/17

SKYLINE							
Pos	Spare part Code	Factory code	Descrizione	Description	V	W & T	Ref./Notes
101		50340AU01	SCHIENALE FORNO 10 2/1	BACK PANEL 10 2/1			w;x;y;z;a1;b1 Marine Up to 2021/16
101	0CK700	50340BJ01	SCHIENALE FORNO 10 2/1	BACK PANEL 10 2/1			w;x;y;z;a1;b1 Marine From 2021/17
102	0CK230	503404C03	COPERCHIO FORNO 6-10 1/1	TOP PANEL 6-10 1/1			a;b;c;d;e;f;g;h;- q;r;s;t;u;v
102	0CK230	503404C03	COPERCHIO FORNO 6-10 1/1	TOP PANEL 6-10 1/1			a;b;c;d;e;f;g;h;- q;r;s;t;u;v MARINE Up to 2023/38
102	0CK9B0	50340D500	COPERCHIO FORNO 6-10 1/1	TOP PANEL 6-10 1/1			a;b;c;d;e;f;- g;h;q;r;s;t;u;v MARINE From 2023/39
102	0CK229	503405D02	COPERCHIO FORNO 6-10 2/1	TOP PANEL 6-10 2/1			i;j;k;l;m;n;o;p; w;x;y;z;a1;b1
102	0CK229	503405D02	COPERCHIO FORNO 6-10 2/1	TOP PANEL 6-10 2/1			i;j;k;l;m;n;o;p; w;x;y;z;a1;b1 MARINE Up to 2023/38
102	0CK9B1	50340D600	COPERCHIO FORNO 6-10 2/1	TOP PANEL 6-10 2/1			i;j;k;l;m;n;o;p; w;x;y;z;a1;b1 MARINE From 2023/39
103	0C4234	806847803	CERNIERA SUPERIORE	UPPER HINGE	X	X	RIGHT HINGED
103	*	80540DX00	CERNIERA SUPERIORE PORTA REV	UPPER HINGE FOR REVERSE DOOR	X	X	LEFT HINGED
104	0CK071	543401S03	AMMORTIZZATORE VETRO INTERNO	INNER GLASS DUMPER		X	a;b;d;e;f;h;i;j;l; m;n;p;q;s;t;- v;w;y; z;b1
105	0CK319	830409802	MANIGLIA PORTA	DOOR HANDLE	X		
106	0CK148	50440CX02	MOLLA FERMAVETRO	INNER GLASS STOPPER		X	
107	0C4092	806859903	NASELLO CHIUSURA 1-STEP	SINGLE STEP DOOR LATCH	X	X	
107	0C6010	806859101	NASELLO CHIUSURA 2-STEP	DOUBLE STEP DOOR LATCH	X	X	MARINE
108	0CK086	510400102	CERNIERA INFERIORE DESTRA PORTA	RIGHT LOWER HINGE	X	X	RIGHT HINGED
108	*	800401Y00	CERNIERA INFERIORE PORTA SINISTRA	LOWER HINGE FOR REVERSE DOOR	X	X	LEFT HINGED
109	0CK158	511400N01	POSIZIONAT. INF.CON FERMO-PORTA	DOOR POSITIONER WITH STOPPER		X	RIGHT HINGED
109	0CK354	511400R00	POSIZIONAT. INF.CON FERMO-PORTA	DOOR POSITIONER WITH STOPPER		X	LEFT HINGED
110	0CK160	541401R00	PROTEZIONE CAVETTI LED	LED WIRING PROTECTION		X	
111	0CK143	835403C00	MECCANISMO CHIUSURA PORTA	CLOSING MECHANISM	X		
112	0CK297	548401U02	MANIGLIA PORTA	DOOR HANDLE	X		ELECTROLUX Up to 2021/16
112	0CK666	548401U03	MANIGLIA PORTA	DOOR HANDLE	X		ELECTROLUX From 2021/17
113	0CK205	549400W01	VASCHETTA GN 1/1	FRONT DRIP TRAY GN 1/1		X	a;b;c;d;e;f;- g;h;q; r;s;t;u;v
113	0CK204	549400X01	VASCHETTA GN 2/1	FRONT DRIP TRAY GN 2/1		X	l;j;k;l;m;n;o; p;w;x;y;z;a1;b1
114	0CK239	879402801	ASSIEME VETRO INTERNO 6 1/1	INNER GLASS ASSEMBLY 6 1/1	X	X	a;b;c;d;e;f;g;h
114	0CK081	879402901	ASSIEME VETRO INTERNO 10 1/1	INNER GLASS ASSEMBLY 10 1/1	X	X	q;r;s;t;u;v
114	0CK238	879402A01	ASSIEME VETRO INTERNO 6 2/1	INNER GLASS ASSEMBLY 6 2/1	X	X	i;j;k;l;m;n;o;p
114	0CK240	879402B01	ASSIEME VETRO INTERNO 10 2/1	INNER GLASS ASSEMBLY 10 2/1	X	X	w;x;y;z;a1;b1
115	0CK222	543401V01	GUARNIZIONE CELLA-PORTA 6 1/1	DOOR GASKET 6 1/1	X	X	a;b;c;d;e;f;g;h
115	0CK120	543401X01	GUARNIZIONE CELLA-PORTA 10 1/1	DOOR GASKET 10 1/1	X	X	q;r;s;t;u;v

SKYLINE							
Pos	Spare part Code	Factory code	Descrizione	Description	V	W & T	Ref./Notes
115	0CK121	543401W01	GUARNIZIONE CELLA-PORTA 6 2/1	DOOR GASKET 6 2/1	X	X	ij;k;l;m;n;o;p
115	0CK223	543401Y01	GUARNIZIONE CELLA-PORTA 10 2/1	DOOR GASKET 10 2/1	X	X	w;x;y;z;a1;b1
116	0CK171	83040BW04	SPILLONE MULTIPOINT 10 1/1 – 10 2/1	FOOD PROBE MULTIPOINT 10 GRIDS		X	q;r;s;t;u;-v;w;x;y;z;a1;b1
116	0CK172	83040CX03	SPILLONE MULTIPOINT 6 1/1 – 6 2/1	FOOD PROBE MULTIPOINT 6 GRIDS		X	a;b;c;d;e;f;g;h;i;j;k;l;m;n;o;p
116	0CK173	83040BV03	SPILLONE SINGLE POINT 10 1/1 – 10 2/1	FOOD PROBE SINGLE POINT 10 GRIDS		X	q;r;s;t;u;-v;w;x;y;z;a1;b1
116	0CK174	83040CY03	SPILLONE SINGLE POINT 6 1/1 – 6 2/1	FOOD PROBE SINGLE POINT 6 GRIDS		X	a;b;c;d;e;f;g;h;i;j;k;l;m;n;o;p
117	0CK176	503407301	SUPPORTO FILTRO	FILTER SUPPORT			Up to 2022/10
117a	0CK86X	541403400	PORTAFILTRO	FILTER SUPPORT			From 2022/11
117b	0CK86Y	541403500	SCATOLA INFERIORE PORTA FILTRO	LOWER BOX FILTER SUPPORT			From 2022/11
117c	0CK86Z	541403600	SCATOLA SUPERIORE PORTA FILTRO	UPPER BOX FILTER SUPPORT			From 2022/11
117c	0CK870	541403700	SCATOLA SUPERIORE PORTA FILTRO	UPPER BOX FILTER SUPPORT			From 2022/11
118	0CK226	549400U02	FILTRO ARIA	AIR FILTER		X	Up to 2022/10
118	0CK875	0549401J00	FILTRO ARIA	AIR FILTER		X	From 2022/11
119	0CK154	875403K00	PIEDE DI SERVIZIO INOX	SERVICE FOOT INOX			
119		875406R00	PIEDE DI SERVIZIO MARINE	MARINE SERVICE FOOT			MARINE
119a	0CK015	85540CY00	PIEDE REGOLABILE, KIT DI SOVRAPPONIZIONE	ADJUSTABLE FOOT, STACKING KIT			
120	0CK076	870401W04	ASSIEME PORTATEGLIE 6 1/1	TRAY RACK 6 1/1			a;b;c;d;e;f;g;h
120	0CK241	870401Y04	ASSIEME PORTATEGLIE 10 1/1	TRAY RACK 10 1/1			q;r;s;t;u;v
120	0CK078	870401X04	ASSIEME PORTATEGLIE 6 2/1	TRAY RACK 6 2/1			ij;k;l;m;n;o;p
120	0CK077	870401Z04	ASSIEME PORTATEGLIE 10 2/1	TRAY RACK 10 2/1			w;x;y;z;a1;b1
120	0CBAEL	875404P01	ASSIEME PORTATEGLIE 6 1/1	TRAY RACK 6 1/1			a;b;c;d;e;f;g;h BAKERY Up to 2022/40
120	0CBAWT	875404P02	ASSIEME PORTATEGLIE 6 1/1	TRAY RACK 6 1/1			a;b;c;d;e;f;g;h BAKERY From 2022/41
120	*	875404Q01	ASSIEME PORTATEGLIE 10 1/1	TRAY RACK 10 1/1			q;r;s;t;u;v BAKERY Up to 2022/40
120	*	875404Q02	ASSIEME PORTATEGLIE 10 1/1	TRAY RACK 10 1/1			q;r;s;t;u;v BAKERY From 2022/41
120	0CK552	0870402M02	ASSIEME PORTATEGLIE 6 1/1 MARINE	MARINE TRAY RACK 6 1/1			a;b;c;d;e;f;g;h MARINE
120	0CK551	0870402L02	ASSIEME PORTATEGLIE 10 1/1 MARINE	MARINE TRAY RACK 10 1/1			q;r;s;t;u;v MARINE
120	0CK553	0870402N02	ASSIEME PORTATEGLIE 6 2/1 MARINE	MARINE TRAY RACK 6 2/1			ij;k;l;m;n;o;p MARINE
120	0CK554	0870402P02	ASSIEME PORTATEGLIE 10 2/1 MARINE	MARINE TRAY RACK 10 2/1			w;x;y;z;a1;b1 MARINE
120	0CK86B	0870402702	ASSIEME PORTATEGLIE 6 1/1 P85	TRAY RACK 6 1/1 P85			a;b;c;d;e;f;-g;h;P85
120	0CK86A	0870402602	ASSIEME PORTATEGLIE 10 1/1 P85	TRAY RACK 10 1/1 P85			q;r;s;t;u;v P85
121	0CK331	548402700	COPERCHIETTO MANIGLIA ELUX	ELUX HANDLE COVER		X	ELECTROLUX Up to 2021/16
121	0CK667	548402701	COPERCHIETTO MANIGLIA ELUX	ELUX HANDLE COVER		X	ELECTROLUX From 2021/17
122	0CK220	500406801	MOLLETTA FERMATEGLIE	SPRING STOPPER		X	
123	0CK114	543402500	GUARNIZIONE ASPIRAZIONE ARIA	AIR INLET GASKET		X	
124	0CA756	516896402	DADO NASELLO	DOOR LATCH NUT		X	
125	0CK195	549401800	VALVOLA SCARICO VASCHETTA	CHECK VALVE		X	
126	0CBAP3	0549802700	MAGNETE IN NEODIMIO 20X5X10	NEODYMIUM MAGNET 20X5X10			
127	0E1331	206004105	ROSETTA	WASHER		X	

SKYLINE							
Pos	Spare part Code	Factory code	Descrizione	Description	V	W & T	Ref./Notes
128	0C3973	214014255	VITE M6X25	SCREW M6X25		X	
129	0CK082	805407P02	BARRA LED	LED BAR		X	
130	0CK335	878407202	PARETE DI ASPIRAZIONE 6 1/1	SUCTION WALL 6 1/1			a;b;c;d;e;f;g;h Up to 2021/16
130	0CK739	878407203	PARETE DI ASPIRAZIONE 6 1/1	SUCTION WALL 6 1/1			a;b;c;d;e;f;g;h From 2021/17
130	*	878407901	PARETE DI ASPIRAZIONE 6 1/1	SUCTION WALL 6 1/1			a;b;c;d;e;f;g;h BAKERY Up to 2021/16
130	0CK750	878407902	PARETE DI ASPIRAZIONE 6 1/1	SUCTION WALL 6 1/1			a;b;c;d;e;f;g;h BAKERY From 2021/17
130	0CK320	878403505	PARETE DI ASPIRAZIONE 10 1/1	SUCTION WALL 10 1/1			q;r;s;t;u;v Up to 2021/16
130	0CK732	878403506	PARETE DI ASPIRAZIONE 10 1/1	SUCTION WALL 10 1/1			q;r;s;t;u;v From 2021/17
130	*	878407B01	PARETE DI ASPIRAZIONE 10 1/1	SUCTION WALL 10 1/1			q;r;s;t;u;v BAKERY Up to 2021/16
130	0CK752	878407B02	PARETE DI ASPIRAZIONE 10 1/1	SUCTION WALL 10 1/1			q;r;s;t;u;v BAKERY From 2021/17
130	0CK153	878403705	PARETE DI ASPIRAZIONE 6 2/1	SUCTION WALL 6 2/1			i;j;k;l;m;n;o;p Up to 2021/16
130	0CK735	878403706	PARETE DI ASPIRAZIONE 6 2/1	SUCTION WALL 6 2/1			i;j;k;l;m;n;o;p From 2021/17
130	0CK338	878407801	PARETE DI ASPIRAZIONE 10 2/1	SUCTION WALL 10 2/1			w;x;y;z;a1;b1 Up to 2021/16
130	0CK742	878407802	PARETE DI ASPIRAZIONE 10 2/1	SUCTION WALL 10 2/1			w;x;y;z;a1;b1 From 2021/17
131	0CK323	04P0187700	BOCCOLA IGUS 'IGLIDUR MCM-12-02'	BUSH IGUS 'IGLIDUR MCM-12-02'		X	
132	0CK703	050340BC01	FIANCO DESTRO	RIGHT SIDE PANEL			a;b;c;d;e;f;g;h
132	0CK701	050340BK01	FIANCO DESTRO	RIGHT SIDE PANEL			i;j;k;l;m;n;o;p
132	0CK704	050340BD01	FIANCO DESTRO	RIGHT SIDE PANEL			q;r;s;t;u;v
132	0CK702	050340BL01	FIANCO DESTRO	RIGHT SIDE PANEL			w;x;y;z;a1;b1
133	0CK433	083040MQ05	KIT PORTA INCERNIERATA A DESTRA 061 ELUX 2 VETRI	RIGHT HINGED DOOR KIT 2 GLASSES 6/1			a;b;d;e;f;h - ELUX
133	0CK445	083040N205	KIT PORTA INCERNIERATA A DESTRA 061 ZAN 2 VETRI	RIGHT HINGED DOOR KIT 2 GLASSES 6/1			a;b;d;e;f;h - ZAN
133	0CK457	083040NF05	KIT PORTA INCERNIERATA A DESTRA 061 TO BRAND 2 VETRI	RIGHT HINGED DOOR KIT 2 GLASSES 6/1			a;b;d;e;f;h TO BRAND
133	0CK434	083040MR05	KIT PORTA INCERNIERATA A DESTRA 061 ELUX 3 VETRI	RIGHT HINGED DOOR KIT 3 GLASSES 6/1			c;g - ELUX
133	0CK446	083040N305	KIT PORTA INCERNIERATA A DESTRA 061 ZAN 3 VETRI	RIGHT HINGED DOOR KIT 3 GLASSES 6/1			c;g - ZAN
133	0CK458	083040NG05	KIT PORTA INCERNIERATA A DESTRA 061 TO BRAND 3 VETRI	RIGHT HINGED DOOR KIT 3 GLASSES 6/1			c;g - TO BRAND
133	0CK435	083040MS05	KIT PORTA INCERNIERATA A DESTRA 062 ELUX 2 VETRI	RIGHT HINGED DOOR KIT 2 GLASSES 6/2			i;j;l;m;n;p - ELUX
133	0CK447	083040N405	KIT PORTA INCERNIERATA A DESTRA 062 ZAN 2 VETRI	RIGHT HINGED DOOR KIT 2 GLASSES 6/2			i;j;l;m;n;p - ZAN
133	0CK459	083040NH05	KIT PORTA INCERNIERATA A DESTRA 062 TO BRAND 2 VETRI	RIGHT HINGED DOOR KIT 2 GLASSES 6/2			i;j;l;m;n;p - TO BRAND
133	0CK436	083040MT05	KIT PORTA INCERNIERATA A DESTRA 062 ELUX 3 VETRI	RIGHT HINGED DOOR KIT 3 GLASSES 6/2			k;o - ELUX
133	0CK448	083040N505	KIT PORTA INCERNIERATA A DESTRA 062 ZAN 3 VETRI	RIGHT HINGED DOOR KIT 3 GLASSES 6/2			k;o - ZAN
133	0CK460	083040NJ05	KIT PORTA INCERNIERATA A DESTRA 062 TO BRAND 3 VETRI	RIGHT HINGED DOOR KIT 3 GLASSES 6/2			k;o - TO BRAND
133	0CK437	083040MU05	KIT PORTA INCERNIERATA A DESTRA 101 ELUX 2 VETRI	RIGHT HINGED DOOR KIT 2 GLASSES 10/1			q;s;t;v - ELUX

SKYLINE							
Pos	Spare part Code	Factory code	Descrizione	Description	V	W & T	Ref./Notes
133	0CK449	083040N605	KIT PORTA INCERNIERATA A DESTRA 101 ZAN 2 VETRI	RIGHT HINGED DOOR KIT 2 GLASSES 10/1			q;s;t;v - ZAN
133	0CK461	083040NK05	KIT PORTA INCERNIERATA A DESTRA 101 TO BRAND 2 VETRI	RIGHT HINGED DOOR KIT 2 GLASSES 10/1			q;s;t;v - TO BRAND
133	0CK438	083040MV05	KIT PORTA INCERNIERATA A DESTRA 101 ELUX 3 VETRI	RIGHT HINGED DOOR KIT 3 GLASSES 10/1			r;u - ELUX
133	0CK450	083040N705	KIT PORTA INCERNIERATA A DESTRA 101 ZAN 3 VETRI	RIGHT HINGED DOOR KIT 3 GLASSES 10/1			r;u - ZAN
133	0CK462	083040NL05	KIT PORTA INCERNIERATA A DESTRA 101 TO BRAND 3 VETRI	RIGHT HINGED DOOR KIT 3 GLASSES 10/1			r;u - TO BRAND
133	0CK439	083040MW05	KIT PORTA INCERNIERATA A DESTRA 102 ELUX 2 VETRI	RIGHT HINGED DOOR KIT 2 GLASSES 10/2			w;y;z;b1 - ELUX
133	0CK451	083040N805	KIT PORTA INCERNIERATA A DESTRA 102 ZAN 2 VETRI	RIGHT HINGED DOOR KIT 2 GLASSES 10/2			w;y;z;b1 - ZAN
133	0CK463	083040NM05	KIT PORTA INCERNIERATA A DESTRA 102 TO BRAND 2 VETRI	RIGHT HINGED DOOR KIT 2 GLASSES 10/2			w;y;z;b1 - TO BRAND
133	0CK440	083040MX05	KIT PORTA INCERNIERATA A DESTRA 102 ELUX 3 VETRI	RIGHT HINGED DOOR KIT 3 GLASSES 10/2			x;a1 - ELUX
133	0CK452	083040N905	KIT PORTA INCERNIERATA A DESTRA 102 ZAN 3 VETRI	RIGHT HINGED DOOR KIT 3 GLASSES 10/2			x;a1 - ZAN
133	0CK464	083040NN05	KIT PORTA INCERNIERATA A DESTRA 102 TO BRAND 3 VETRI	RIGHT HINGED DOOR KIT 3 GLASSES 10/2			x;a1 - TO BRAND
133	0CK469	083040LW05	KIT PORTA INCERNIERATA A SINISTRA 061 ELUX CKM 2V	LEFT HINGED DOOR KIT 2 GLASSES 6/1			a;b;d;e;f;h - ELUX
133	0CK425	083040M406	KIT PORTA INCERNIERATA A SINISTRA 061 ZAN CKM 2V	LEFT HINGED DOOR KIT 2 GLASSES 6/1			a;b;d;e;f;h - ZAN
133	0CK483	083040MC05	KIT PORTA INCERNIERATA A SINISTRA 061 TO BRAND CKM 2V	LEFT HINGED DOOR KIT 2 GLASSES 6/1			a;b;d;e;f;h - TO BRAND
133	0CK470	083040LX05	KIT PORTA INCERNIERATA A SINISTRA 061 ELUX CKM 3V	LEFT HINGED DOOR KIT 3 GLASSES 6/1			c;g - ELUX
133	0CK477	083040M505	KIT PORTA INCERNIERATA A SINISTRA 061 ZAN CKM 3V	LEFT HINGED DOOR KIT 3 GLASSES 6/1			c;g - ZAN
133	0CK484	083040MD05	KIT PORTA INCERNIERATA A SINISTRA 061 TO BRAND CKM 3V	LEFT HINGED DOOR KIT 3 GLASSES 6/1			c;g - TO BRAND
133	0CK471	083040LY05	KIT PORTA INCERNIERATA A SINISTRA 062 ELUX CKM 2V	LEFT HINGED DOOR KIT 2 GLASSES 6/2			i;j;l;m;n;p - ELUX
133	0CK478	083040M605	KIT PORTA INCERNIERATA A SINISTRA 062 ZAN CKM 2V	LEFT HINGED DOOR KIT 2 GLASSES 6/2			i;j;l;m;n;p - ZAN
133	0CK485	083040MF05	KIT PORTA INCERNIERATA A SINISTRA 062 TO BRAND CKM 2V	LEFT HINGED DOOR KIT 2 GLASSES 6/2			i;j;l;m;n;p - TO BRAND
133	0CK472	083040LZ05	KIT PORTA INCERNIERATA A SINISTRA 062 ELUX CKM 3V	LEFT HINGED DOOR KIT 3 GLASSES 6/2			k;o - ELUX
133	0CK479	083040M705	KIT PORTA INCERNIERATA A SINISTRA 062 ZAN CKM 3V	LEFT HINGED DOOR KIT 3 GLASSES 6/2			k;o - ZAN
133	0CK486	083040MG05	KIT PORTA INCERNIERATA A SINISTRA 062 TO BRAND CKM 3V	LEFT HINGED DOOR KIT 3 GLASSES 6/2			k;o - TO BRAND
133	0CK473	083040M006	KIT PORTA INCERNIERATA A SINISTRA 101 ELUX CKM 2V	LEFT HINGED DOOR KIT 2 GLASSES 10/1			q;s;t;v - ELUX
133	0CK426	083040M805	KIT PORTA INCERNIERATA A SINISTRA 101 ZAN CKM 2V	LEFT HINGED DOOR KIT 2 GLASSES 10/1			q;s;t;v - ZAN
133	0CK487	083040MH06	KIT PORTA INCERNIERATA A SINISTRA 101 TO BRAND CKM 2V	LEFT HINGED DOOR KIT 2 GLASSES 10/1			q;s;t;v - TO BRAND
133	0CK474	083040M106	KIT PORTA INCERNIERATA A SINISTRA 101 ELUX CKM 3V	LEFT HINGED DOOR KIT 3 GLASSES 10/1			r;u - ELUX
133	0CK480	083040M906	KIT PORTA INCERNIERATA A SINISTRA 101 ZAN CKM 3V	LEFT HINGED DOOR KIT 3 GLASSES 10/1			r;u - ZAN
133	0CK488	083040MJ06	KIT PORTA INCERNIERATA A SINISTRA 101 TO BRAND CKM 3V	LEFT HINGED DOOR KIT 3 GLASSES 10/1			r;u - TO BRAND
133	0CK475	083040M206	KIT PORTA INCERNIERATA A SINISTRA 102 ELUX CKM 2V	LEFT HINGED DOOR KIT 2 GLASSES 10/2			w;y;z;b1 - ELUX

SKYLINE							
Pos	Spare part Code	Factory code	Descrizione	Description	V	W & T	Ref./Notes
133	0CK481	083040MA06	KIT PORTA INCERNIERATA A SINISTRA 102 ZAN CKM 2V	LEFT HINGED DOOR KIT 2 GLASSES 10/2			w;y;z;b1 - ZAN
133	0CK489	083040MK06	KIT PORTA INCERNIERATA A SINISTRA 102 TO BRAND CKM 2V	LEFT HINGED DOOR KIT 2 GLASSES 10/2			w;y;z;b1 - TO BRAND
133	0CK476	083040M306	KIT PORTA INCERNIERATA A SINISTRA 102 ELUX CKM 3V	LEFT HINGED DOOR KIT 3 GLASSES 10/2			x;a1 - ELUX
133	0CK482	083040MB06	KIT PORTA INCERNIERATA A SINISTRA 102 ZAN CKM 3V	LEFT HINGED DOOR KIT 3 GLASSES 10/2			x;a1 - ZAN
133	0CK490	083040ML06	KIT PORTA INCERNIERATA A SINISTRA 102 TO BRAND CKM 3V	LEFT HINGED DOOR KIT 3 GLASSES 10/2			x;a1 - TO BRAND
134	0CK356	0855408601	ASS. VETRO INTERMEDIO PORTA	DOOR MIDDLE GLASS ASS.Y			c;g - right hinged
134	0CK357	0855408701	ASS. VETRO INTERMEDIO PORTA	DOOR MIDDLE GLASS ASS.Y			r;u - right hinged
134	0CK358	0855409801	ASS. VETRO INTERMEDIO PORTA	DOOR MIDDLE GLASS ASS.Y			k;o - right hinged
134	0CK359	0855409901	ASS. VETRO INTERMEDIO PORTA	DOOR MIDDLE GLASS ASS.Y			x;a1 - right hinged
134	0CK879	085540D300	ASS. VETRO INTERMEDIO PORTA	DOOR MIDDLE GLASS ASS.Y			c;g - left hinged
134	0CK88A	085540D400	ASS. VETRO INTERMEDIO PORTA	DOOR MIDDLE GLASS ASS.Y			r;u - left hinged
134	0CK88B	085540D500	ASS. VETRO INTERMEDIO PORTA	DOOR MIDDLE GLASS ASS.Y			k;o - left hinged
134	0CK88C	085540D600	ASS. VETRO INTERMEDIO PORTA	DOOR MIDDLE GLASS ASS.Y			x;a1 - left hinged
135	0CK351	0543403D00	ASS. GUARNIZIONE VETRO INTERMEDIO	MIDDLE GLASS GASKET ASS.Y			c;g
135	0CK352	0543403F00	ASS. GUARNIZIONE VETRO INTERMEDIO	MIDDLE GLASS GASKET ASS.Y			r;u
135	0CK353	0543403G00	ASS. GUARNIZIONE VETRO INTERMEDIO	MIDDLE GLASS GASKET ASS.Y			k;o
135	0CK355	0543403H00	ASS. GUARNIZIONE VETRO INTERMEDIO	MIDDLE GLASS GASKET ASS.Y			x;a1
137	0CK269	083040BX00	SONDA CELLA	CAVITY PROBE			Up to 2022/10
137	0CK878	083040QB00	SONDA CELLA	CAVITY PROBE			From 2022/11
*	0CK857		KIT SENSORE TEMPERATURA	TEMPERATURE SENSOR KIT			
138	0CK648	0598403Q01	ETICHETTA GPSAC	GPSAC LABEL			d;h;l;p;s;v;y;b1
139	0CK654	541403200	PROTEZIONE VALVOLA VASCHETTA	CHECK VALVE PROTECTION			
140	0CK671	051440A901	PERNO PARETE ASPIRAZIONE E SUP-PORTO TEGLIE	SUCTION WALL PIN			
141	0CK672	0514404V03	BOCCOLA INF. PARETE ASPIRAZIONE	SUCTION WALL LOWER BUSH			
142	0CK683		GRUPPO MOBILE DI AGGANCIAMENTO	LOCKING MECHANISM			
143	0CK083	0514404Y01	BICONO TENUTA TERMOCOPPIA	THERMOCOUPLE BICONICAL SEALING			Up to 2022/10
144	0CK691	0800401B02	CERNIERA X VETRO INTERNO PORTE	DOOR INNER GLASS HINGE			
145	0CK86H	506407C00	SUPPORTO SPILLONE	FOOD PROBE SUPPORT			
146	0CBCCS	218300800	DADO ESAGONALE CIECO M10	NUT M10		X	Marine
147	0CBAOZ	510400300	MANIGLIA A LEVA	HANDLE		X	Marine
148	0TT052	206006195	ROSETTA PIANA 10,5X21X2	WASHER 10,5X21X2		X	Marine
149	0CK897	51440AB00	MOLLA FERMO PORTA	DOOR STOPPER SPRING		X	Marine
150		206400100	ROSETTA PIANA 11X30	WASHER 11X30		X	Marine
151	0CK898	544403F00	BOCCOLA SCORRIMENTO	BUSH		X	Marine
152	0CK9AD	51440AA00	PERNO FILETTATO	THREADED PIN		X	Marine
153	0CK899	544403D00	BOCCOLA PERNO	BUSH		X	Marine
154		50340AW00	DISCO DI FISSAGGIO	FIXING DISC		X	Marine
155	0TH075	218526105	DADO ESAGONALE M10X8	NUT M10X8		X	Marine
156	0CK9AE	512400600	GUIDA DI SCORRIMENTO	SLIDING GUIDE		X	Marine
157	0L2816	218575195	DADO CIECO A CALOTTA M8	NUT M8		X	Marine
158	0CK9AA	544403G00	BOCCOLA PERNO DI SCORRIMENTO	SLIDING BUSH		X	Marine
159	027019	218525105	DADO ESAGONALE M8X6,5	NUT M8X6,5		X	Marine
160	0CBCCT	217544165	VITE TSP CROCE M6X16	SCREW M6X16		X	Marine
161	0CK9AB	50040B000	STAFFA SUPERIORE	UPPER BRACKET		X	Marine
162	0CK9AC	50040B100	STAFFA INFERIORE	LOWER BRACKET		X	Marine
163	0TH077	218574005	DADO ESAGONALE M6	NUT M6		X	Marine
164	0CBCCU	217894600	BULLONE TTL M8X40	BOLT M8X40		X	Marine

SKYLINE

Pos	Spare part Code	Factory code	Descrizione	Description	V	W & T	Ref./Notes
165	0CK9B2	543403Z00	AMMORTIZZATORE APPOGGIO VETRO INTERNO	INTERNAL GLASS SUPPORT DAMPER		X	a;b;d;e;f;h;i;j;l; m;n;p;q;s;t;v; w;y;z;b1 From 2023/39

SKYLINE							
Pos	Spare part Code	Factory code	Descrizione	Description	V	W & T	Ref./Notes
200	0CK161	541401D01	PROTEZIONE SCHEDA USER	USER INTERFACE COVER			
201	0CK037	00	CAVO PROLUNGA USB	USB PROLONG		X	a;b;c;e;f;g;i;j;k;m;n;o;q;r;t;u;w;x;z;a1
201		638405P00	CAVO PROLUNGA USB	USB PROLONG		X	d;h;l;p;s;v;y;b1
202	0CK041	546400V01	SPORTELLINO USB	USB WINDOW		X	
203	0CK040	543401N01	CRUSCOTTO PLASTICA TOUCH	PLASTIC FRAME TOUCH			a;b;c;e;f;g;i;j;k;m;n;o;q;r;t;u;w;x;z;a1
204	0CK144	541401F03	MEMBRANA TOUCH ELECTROLUX CON BOILER	ELECTROLUX TOUCH MEMBRANE WITH BOILER		X	e;f;g;m;n;o;t;u;z;a1
204	0CK298	541402502	MEMBRANA TOUCH ELECTROLUX SENZA BOILER	ELECTROLUX TOUCH MEMBRANE WITHOUT BOILER		X	a;b;c;i;j;k;q;r;w;x
204	0CK299	541401U04	MEMBRANA TOUCH ZANUSSI CON BOILER	ZANUSSI TOUCH MEMBRANE WITH BOILER		X	e;f;g;m;n;o;t;u;z;a1
204	0CK300	541402704	MEMBRANA TOUCH ZANUSSI SENZA BOILER	ZANUSSI TOUCH MEMBRANE WITHOUT BOILER		X	a;b;c;i;-j;k;q;r;w;x
204	0CK332	541401V02	MEMBRANA TOUCH TO BRAND	TO BRAND TOUCH MEMBRANE		X	a;b;c;e;f;g;i;j;k;m;n;o;q;r;t;u;w;x;z;a1
204	0TTLG9	541402S01	MEMBRANA TOUCH DIAMOND	DIAMOND TOUCH MEMBRANE		X	a;b;c;e;f;g;i;j;k;m;n;o;q;r;t;u;w;x;z;a1
204	0CK9AJ	541403F00	MEMBRANA TOUCH ENGEFOOD	ENGEFOOD TOUCH MEMBRANE			a;b;c;e;f;g;i;j;k;m;n;o;q;r;t;u;w;x;z;a1
205	0CK9AR	675401U05	ACU –SCHEDA POWER	ACU-POWER BOARD		X	a;b;c;e;f;g;i;j;k;m;n;o;q;r;t;u;w;x;z;a1 T.B. PDD2022_10
205	0CK9AR	675401U05	ACU –SCHEDA POWER	ACU-POWER BOARD		X	d;h;l;p;s;v;y;b1 T.B. PDD2022_12
206	0CK034	673400900	DISPLAY 7"	DISPLAY 7"		X	a;b;c;e;f;g;i;j;k;m;n;o;q;r;t;u;w;x;z;a1
207	0CK033	675401G00	SCHEDA ON/OFF	ON/OFF BOARD		X	X
208	0CK036	675401J01	SCHEDA BRIDGE	BRIDGE BOARD		X	a;b;c;e;f;g;i;j;k;m;n;o;q;r;t;u;w;x;z;a1
*	0CK674	675403M00	MICROSD HC 8GB CL4 SANDISK	MICROSD HC 8GB CL4 SANDISK			
209	0CK039	655400000	ALTOPARLANTE	SPEAKER		X	a;b;c;e;f;g;i;j;k;m;n;o;q;r;t;u;w;x;z;a1
210	0CK145	640400300	MICRO INTERRUETTORE	MICRO SWITCH		X	Up to 2022/10
211	0CK199	682400G00	VENTILATORE RAFFREDDAMENTO	COOLING FAN		X	
212	0CK184	646400H00	TERMOSTATO SICUREZZA CELLA	CAVITY SAFETY THERMOSTAT		X	
213	0CK183	646400G00	TERMOSTATO SICUREZZA BOILER	BOILER SAFETY THERMOSTAT		X	Up to 2022/40
213a	0CBAWR	0646400L00	KLIXON	BOILER SAFETY THERMOSTAT			From 2022/41
213b	0CBAWQ	0638407C00	CABLAGGIO TERMOSTATO BOILER	BOILER SAFETY THERMOSTAT WIRING			From 2022/41
214	0CK643	675403K00	SMPS ALIM. SWITCHING 24V	SWITCHING FEEDER 24V		X	For appliances up to 2020/42 order also pos. 215a
215	096342	648R11400	SMPS ALIM. SWITCHING 12V	SWITCHING FEEDER 12V		X	For appliances up to 2020/42 order also pos. 215a
215a	0CK761	83040Q000	KIT RETROFIT PER SMPS	SMPS KIT RETROFIT			Up to 2020/42 + pos. 214/215

SKYLINE							
Pos	Spare part Code	Factory code	Descrizione	Description	V	W & T	Ref./Notes
216	0CK030	546400U01	SUPPORTO USB	USB CAGE			
217	0CK225	694400L00	FILTRO TOROIDALE	TOROIDAL FILTER			a;b;c;d;e;f;g;h; q;r;s;t;u;v
217	0CK259	694400M00	FILTRO TOROIDALE	TOROIDAL FILTER			ij;k;l;m;n;o;p; w;x;y;z;a1;b1
218	0CK168	657400201	SONDA LAMBDA	LAMBDA PROBE		X	
219	0CBAQH	835405G00	RELE' STATO SOLIDO 50A + PASTIGLIA TERMICA	SOLID STATE RELAY 50A + THERMAL PAD	X		a;b;c;d;e;f;- g;h - all ij;k;l;m;n;o;p; q;r;s;t;u;v 380-400-415- 440-460-480V
219	0CBAQI	835405H00	RELE' STATO SOLIDO 90A + PASTIGLIA TERMICA	SOLID STATE RELAY 90A + THERMAL PAD	X		w;x;y;z;a1;b1 - all ij;k;l;m;n;o;p; q;r;s;t;u;v 220-240V
220	0CK208	646400C02	SONDA NTC DISSIPATORE CELLA	NTC PROBE HEAT SINK-CAVITY	X	X	
221	0TTMGT	0638404V01	CABLAGGIO COMUNICAZIONE UI-ACU	UI-ACU COMMUNICATION CABLE	X		
224	0CK107	694400N00	FILTRO TRIFASE	3-PHASE FILTER		X	
225	0CK424	675403H00	INVERTER	INVERTER	X		
226	0CK660	694400Y00	FILTRO EMC	EMC FILTER		X	
226	0CK260	694400S00	FILTRO EMC	EMC FILTER		X	AUS/MARINE
227	0CK705	648401300	RELE'	RELAY	X	X	
227	0CK706	648401400	RELE'	RELAY	X	X	208V;USA
228	0CK209	646400D01	SONDA NTC DISSIPATORE BOILER	NTC PROBE HEAT SINK-BOILER	X	X	
229	0L3360	63962B400	PORTA FUSIBILI (PEZZO SINGOLO)	FUSE HOLDER (SINGLE PIECE)	X	X	EU
229	0CK406	63962D800	PORTA FUSIBILI (PEZZO SINGOLO)	FUSE HOLDER (SINGLE PIECE)	X	X	USA
229		652400H00	PORTA FUSIBILI (PEZZO SINGOLO)	FUSE HOLDER (SINGLE PIECE)	X	X	MARINE
230	0CK218	638404L00	MORSETTO PHOENIX PT6 (PEZZO SINGOLO)	PHOENIX CLAMP PT6 (SINGLE PIECE)	X	X	a;b;c;d;e;f;g;h - all q;r;s;t;u;v - 400-380-415- 460-480;V
230	0CK249	638404M00	MORSETTO PHOENIX PT16(PEZZO SINGOLO)	PHOENIX CLAMP PT16 (SINGLE PIECE)	X	X	ij;k;l;m;n;o; p;w;x;y;z;a1;b1 - all q;r;s;t;u;v - 200-208-220- 230-240V
231	0CK231	648400W00	CONTATTORE K318-ND	CONTACTOR K318-ND	X	X	a;b;c;d;e;f;- g;h;q;r;s;t;u;v - 400-460-480V
231	0CK290	648400X00	CONTATTORE K3 32 A00	CONTACTOR K3 32 A00	X	X	a;b;c;d;e;f;g;h - 200-208-230;V ij;k;l;m;n;o;p - 400-460-480;V
231	0CK291	648400Y00	CONTATTORE K3 40 A00	CONTACTOR K3 40 A00	X	X	ij;k;l;m;n;o;p;q; r;s;t;u;v;w;x;y; z;a1;b1 - 200-208-230V w;x;y;z;a1;b1 - 400V
232	0CK219	639401502	MORSETTIERA 10 mm2 3F+N+F	MAIN TERMINAL BLOCK 10 mm2 3F+N+F			a;b;c;d;e;f;- g;h;q;r;s;t;u;v - 400;V
232	0CK305	639401402	MORSETTIERA 16 mm2 3F+N+F	MAIN TERMINAL BLOCK 16 mm2 3F+N+F			ij;k;l;m;n;o;p - 400V
232	0CK306	639401803	MORSETTIERA 35 mm2 3F+N+F	MAIN TERMINAL BLOCK 35 mm2 3F+N+F			w;x;y;z;a1;b1 - 400V

SKYLINE							
Pos	Spare part Code	Factory code	Descrizione	Description	V	W & T	Ref./Notes
232	OCK412	639401N001	MORSETTIERA 70 mm2	MAIN TERMINAL BLOCK 70 mm2			w;x;y;z;a1;b1 - 208V
232	OCK413	639401R00	MORSETTIERA 50 mm2	MAIN TERMINAL BLOCK 50 mm2			a;b;c;d;e;f;g;h; i;j;k;l;m;n;o;p; q;r;s;t;u;v - 208V
232	OCK414	639401U01	MORSETTIERA 10 mm2 3F+PE	MAIN TERMINAL BLOCK 10 mm2 3F+PE			a;b;c;d;e;f;g; h;q;r;s;t;u;v 460-480V
232	OCK415	639401V01	MORSETTIERA 16 mm2	MAIN TERMINAL BLOCK 16 mm2			i;j;k;l;m;n;o;p - 460-480V
232	OCK416	639401W01	MORSETTIERA 35 mm2	MAIN TERMINAL BLOCK 35 mm2			w;x;y;z;a1;b1 - 460-480V
232	OCK016	639401P01	MORSETTIERA 10 mm2 3F+F(PE)	MAIN TERMINAL BLOCK 10 mm2 3F+F(PE)			a;d;e;g;h 220-240V
232	OCK018	639401T02	MORSETTIERA 35 mm2 3F+F	MAIN TERMINAL BLOCK 35 mm2 3F+F			w;x;y;z;a1;b1 - 220-240V
232	OCK017	0639401S01	MORSETTIERA 35 mm2	MAIN TERMINAL BLOCK 35 mm2			q;r;s;t;u;v 220-240V i;j;k;l;m;n;o;p; w;x;y;z;a1;b1; 380/400/415/ 440/460/480
232		639402301	MORSETTIERA 16 mm2 3F+F	MAIN TERMINAL BLOCK 16 mm2 3F+F			i;j;k;l;m;n;o;p; 380/400/415/ 440/460/480
233	OCK685	83040PL01	ASSIEME USER TOUCH	USER INTERFACE ASSEMBLY TOUCH	X		a;b;c;e;f;g;i;j; k;m;n;o;q;r;t; u;w;x;z;a1
234	OCK079	830409604	ASSIEME USER DIGIT	USER INTERFACE ASSEMBLY DIGIT	X		d;h;l;p;s;v;y;b1 Up to 2021/42
234	OCK86G	830409605	ASSIEME USER DIGIT	USER INTERFACE ASSEMBLY DIGIT	X		d;h;l;p;s;v;y;b1 From 2021/43
235	OC5239	652806000	FUSIBILE 5X20 4A ST520240	FUSE 5X20 4A ST520240	X	X	EU - US;480V
235	OCC014	0652400J00	FUSIBILE T 4.0A 5X20 250V CERAMICO OMEGA GT520240 (WEBER 0121400)	CERAMIC FUSE 4.0A 5X20 250V OMEGA GT520240 (WEBER 0121400)			440V MARINE
235	OCK727	0652400L00	FUSIBILE T 6.3A 6.3X32 500V CERAMICO WEBER 0308205 (OMEGA GT632263)	CERAMIC FUSE 6.3A 6.3X32 500V WEBER 0308205 (OMEGA GT632263)			440V MARINE
235	OCK727	0652400L00	FUSIBILE T 6.3A 6.3X32 500V CERAMICO WEBER 0308205 (OMEGA GT632263)	CERAMIC FUSE 6.3A 6.3X32 500V WEBER 0308205 (OMEGA GT632263)	X	X	US;480V
235	OL3435	0652608D00	FUSIBILE CERAMICO 5X20 250V 6.3 A T RITARDATO/OMEGA GT520263	DELAYED CERAMIC FUSE 5X20 250V 6.3 A T OMEGA GT520263			440V MARINE
235	OL3435	0652608D00	FUSIBILE CERAMICO 5X20 250V 6.3 A T RITARDATO/OMEGA GT520263	DELAYED CERAMIC FUSE 5X20 250V 6.3 A T OMEGA GT520263			EU - US
236	OCK032	514405001	MOLLA SPORTELLINO	SPRING		X	
237	OCK038	638404F02	CAVETTO RECOVERY	RECOVERY CABLE		X	
238	OCK292	541401G04	MEMBRANA DIGIT ELECTROLUX CON BOILER	ELECTROLUX DIGIT MEMBRANE WITH BOILER		X	d;l;s;y
238	OCK301	541402603	MEMBRANA DIGIT ELECTROLUX SENZA BOILER	ELECTROLUX DIGIT MEMBRANE WITHOUT BOILER		X	h;p;v;b1
238	OCK302	541401W03	MEMBRANA DIGIT ZANUSSI CON BOILER	ZANUSSI DIGIT MEMBRANE WITH BOILER		X	d;l;s;y
238	OCK303	541402804	MEMBRANA DIGIT ZANUSSI SENZA BOILER	ZANUSSI DIGIT MEMBRANE WITHOUT BOILER		X	h;p;v;b1
238	OCK333	541401X02	MEMBRANA DIGIT TO BRAND CON BOILER	TO BRAND DIGIT MEMBRANE WITH BOILER		X	d;l;s;y
238	OCK334	541402A02	MEMBRANA DIGIT TO BRAND SENZA BOILER	TO BRAND DIGIT MEMBRANE WITHOUT BOILER		X	h;p;v;b1
238	*	541402U01	MEMBRANA DIGIT DIAMOND CON BOILER	DIAMOND DIGIT MEMBRANE WITH BOILER		X	d;l;s;y
238	*	541402T01	MEMBRANA DIGIT DIAMOND SENZA BOILER	DIAMOND DIGIT MEMBRANE WITHOUT BOILER		X	h;p;v;b1

SKYLINE							
Pos	Spare part Code	Factory code	Descrizione	Description	V	W & T	Ref./Notes
238	0CK9AK	541403G00	MEMBRANA DIGIT ENGEFOOD SENZA BOILER	ENGEFOOD DIGIT MEMBRANE WITHOUT BOILER		X	h;p;v;b1
239	0CK043	543401Q02	CRUSCOTTO PLASTICA DIGIT	PLASTIC FRAME DIGIT			d;h;l;p;s;v;y;b1
240	0CK044	675401P02	SCHEDA USER DIGIT	DIGIT USER BOARD	X		d;h;l;p;s;v;y;b1
241	0CK042	657400101	SCHEDA NIU	NIU BOARD			
242	0CK045	675401Q00	CAVETTO ON/OFF TOUCH	ON/OFF CABLE TOUCH		X	a;b;c;e;f;g;i;j;k;m;n;o;q;r;t;u;w;x;z;a1
242	0CK329	675402K00	CAVETTO ON/OFF DIGIT	ON/OFF CABLE DIGIT		X	d;h;l;p;s;v;y;b1
243	0CK254	646400A00	SONDA TEMPERATURA COMPONENTI	NTC COMPONENT TEMPERATURE PROBE	X	X	
244	0CK330	675401L00	CAVETTO CONNESSIONE SPEAKER	WIRING SPEAKER		X	a;b;c;e;f;g;i;j;k;m;n;o;q;r;t;u;w;x;z;a1
245	0CK622	546401700	TASTO PER TASTIERA DIGIT 13X13 H11.4MM	LIGHTED PUSH-BUTTON 13X13 H11.4MM			d;h;l;p;s;v;y;b1
246	0CB910	638406L00	CAVO ETHERNET RJ45 M-M CAT.5E SCHERMATO L=1000MM	ETHERNET CABLE RJ45 M-M CAT.5E L=1000MM			a;b;c;e;f;g;i;j;k;m;n;o;q;r;t;u;w;x;z;a1 Peer to peer
247	0CB911	639402900	GIUNTO RJ45 - VS-08-BU-RJ45/BU - PHOENIX 1689064	CONNECTION RJ45 - VS-08-BU-RJ45/BU - PHOENIX 1689064			a;b;c;e;f;g;i;j;k;m;n;o;q;r;t;u;w;x;z;a1 Peer to peer
248	0CK668	546813700	TASTO PER TASTIERA DIGIT 21X21 H11.4MM	LIGHTED PUSH-BUTTON 21X21 H11.4MM			d;h;l;p;s;v;y;b1
249	0CB909	0544403Q00	CONTRODADO M25 ELEKTROZUBEHOR 171541	NUT M25 ELEKTROZUBEHOR 171541			a;b;c;e;f;g;i;j;k;m;n;o;q;r;t;u;w;x;z;a1 Peer to peer
250	0CB907	050440HD00	SUPPORTO CONNETTORE RJ45 PAS-SANTE	CONNECTOR SUPPORT RJ45			a;b;c;e;f;g;i;j;k;m;n;o;q;r;t;u;w;x;z;a1 Peer to peer
251	0CB908	0544403P00	PRESSACAVO RJ45 M25 ELEKTROZUBEHOR 197939	CABLE GLAND RJ45 M25 ELEKTROZUBEHOR 197939			a;b;c;e;f;g;i;j;k;m;n;o;q;r;t;u;w;x;z;a1 Peer to peer

SKYLINE							
Pos	Spare part Code	Factory code	Descrizione	Description	V	W & T	Ref./Notes
300	0CK418	686400304	POMPA LAVAGGIO 220-240V 50/60HZ	CLEANING PUMP 220-240V 50/60HZ	X	X	Order;KI-T;0CBAN1
301	0C4202	516896000	CONTRODADO	NUT		X	Up to 2021/16
301a	0CK726	51440AW00	EXTENSION FOR ISG & CLEANING INLET	ESTENSIONE PER ISG		X	From 2021/17
302	0C4201	543841400	GUARNIZIONE IN RAME	COPPER GASKET		X	
302a	0CBAWL	506408Z00	RONDELLA PIANA D 21X31	WASHER D 21X31			
303a	0CK285	83040HS00	ASS. ELETTROVALVOLA	SOLENOID VALVE ASSEMBLY		X	d;e;f;g;l;m;n; o;s;t;u;y;z;a1 Up to 2023/38
303a	0CK9B8	83040HS01	ASS. ELETTROVALVOLA	SOLENOID VALVE ASSEMBLY		X	d;e;f;g;l;m;n; o;s;t;u;y;z;a1 From 2023/39
303b	0CK013	83040HU00	ASS. ELETTROVALVOLA	SOLENOID VALVE ASSEMBLY		X	a;b;c;h;i;j;k; p;q;r;v;w;x;b1 Up to 2023/38
303b	0CK9B9	83040HU01	ASS. ELETTROVALVOLA	SOLENOID VALVE ASSEMBLY		X	a;b;c;h;i;j;k; p;q;r;v;w;x;b1 From 2023/39
304	0CK182	541401S01	TEGOLO RACCOGLI CONDENSA	FRONT GUTTER			
305	0CK283	83040HL00	GRUPPO ELETTROVALVOLE RM1400	SOLENOID VALVES GROUP RM1400		X	- USA all - e;f;g;m;n;o; t;u;z;a1 - d;l;s;y P85 - I ELUX 415-440V - ENGEFOOD Up to 2023/38
305	0CK9B6	83040HL01	GRUPPO ELETTROVALVOLE RM1400	SOLENOID VALVES GROUP RM1400		X	- USA all - e;f;g;m;n;o; t;u;z;a1 - d;l;s;y P85 - I ELUX 415-440V - ENGEFOOD From 2023/39
305	0CK284	83040HM00	GRUPPO ELETTROVALVOLE RM1300	SOLENOID VALVES GROUP RM1300		X	- a;b;c;h;i;j;k;p; q;r;v;w;x;b1 (except USA) - d;l;s;y;(except P85) - d;s;y ELUX 415-440V Up to 2023/38
305	0CK9B7	83040HM01	GRUPPO ELETTROVALVOLE RM1300	SOLENOID VALVES GROUP RM1300		X	- a;b;c;h;i;j;k;p; q;r;v;w;x;b1 (except USA) - d;l;s;y;(except P85) - d;s;y ELUX 415-440V From 2023/39
306	0CK282	83040HK00	FLUSSIMETRO	FLOW METER ASSEMBLY		X	Up to 2023/38
306	0CK9B5	83040HK01	FLUSSIMETRO	FLOW METER ASSEMBLY		X	From 2023/39
307	0CK128	855405L02	INGRESSO UMIDIFICATORE 6 1/1	HUMIDIFIER INLET 6 1/1			a;b;c;d;e;f;g;h Up to 2021/16
307	0CK126	855406701	INGRESSO UMIDIFICATORE 10 1/1	HUMIDIFIER INLET 10 1/1			q;r;s;t;u;v Up to 2021/16
307	0CK129	855405M02	INGRESSO UMIDIFICATORE 6 2/1	HUMIDIFIER INLET 6 2/1			i;j;k;l;m;n;o;p Up to 2021/16
307	0CK127	855406801	INGRESSO UMIDIFICATORE 10 2/1	HUMIDIFIER INLET 10 2/1			w;x;y;z;a1;b1 Up to 2021/16
308	0CK709	518401A00	FASCETTA BIFILARE DIA 21 MM	CLAMP DIAM 21 MM			a;b;c;d;e;f;g; h;q;r;s;t;u;v; From 2021/17

SKYLINE							
Pos	Spare part Code	Factory code	Descrizione	Description	V	W & T	Ref./Notes
308	0CK709	518401A00	FASCETTA BIFILARE DIA 21 MM	CLAMP DIAM 21 MM			i;j;k;l;m;n;o;p; w;x;y;z;a1;b1 From 2022/11
309	0CK228	696400L01	ELETTRIVALVOLA.	SOLENOID VALVE	X		
310	0CK221	544401G03	MANICOTTO MANDATA POMPA NBR	NBR PUMP EXIT MANIFOLD	X		EPDM KIT 0CK86E
311	0CK137	544401F03	MANICOTTO ASPIRAZIONE POMPA NBR	NBR PUMP INLET MANIFOLD	X		EPDM KIT 0CK86E
312	0CK749	83040QG05	KIT DOCCETTA INTEGRATA	INTEGRATED SHOWER KIT			a;b;c;d;h;i;j;k; l;p;q;r;s;v;w;x; y;b1
312	0CK749	83040QG05	KIT DOCCETTA INTEGRATA	INTEGRATED SHOWER KIT			a;b;c;d;h;i;j;k; l;p;q;r;s;v;w;x; y;b1 AUS From 2023/39
313	0CK087	541402F01	CILINDRO PASTIGLIE	CYLINDER FOR TABS	X		
314	0CK233	855403M10	CONDUTTURE CLEANING SYSTEM 6 1/1	CLEANING SYSTEM PIPING 6 1/1			a;b;c;d;e;f;g;h
314	0CK235	855403N11	CONDUTTURE CLEANING SYSTEM 10 1/1	CLEANING SYSTEM PIPING 10 1/1			q;r;s;t;u;v
314	0CK232	855403P10	CONDUTTURE CLEANING SYSTEM 6 2/1	CLEANING SYSTEM PIPING 6 2/1			i;j;k;l;m;n;o;p
314	0CK234	855403Q11	CONDUTTURE CLEANING SYSTEM 10 2/1	CLEANING SYSTEM PIPING 10 2/1			w;x;y;z;a1;b1
315	0CK157	514F02U00	PORTAGOMMA 1"	HOSE FITTING 1"	X		
316	0CK141	544402P00	MANICOTTO SCARICO BOILER	BOILER DRAIN MANIFOLD	X		
317	0CK207	544401A01	TUBO SCARICO CONDENSA	CONDENSATE DRAIN HOSE	X		i;j;k;l;m;n;o;p; w;x;y;z;a1;b1 Up to 2022/10
317	0CK207	544401A01	TUBO SCARICO CONDENSA	CONDENSATE DRAIN HOSE	X		a;b;c;d;e;f;g; h;q;r;s;t;u;v; Up to 2021/16
318		805407V01	ASSIEME CONDUTTURA SCARICO CONDENSA	CONDENSATE DRAIN PIPE			i;j;k;l;m;n;o;p; w;x;y;z;a1;b1 Up to 2022/10
318	0CK874	0544403U01	ASS. CONDUTTURA SCARICO CONDENSA	CONDENSATE DRAIN PIPE			i;j;k;l;m;n;o;p; w;x;y;z;a1;b1 From 2022/11
318	0CK074	805407U01	ASSIEME CONDUTTURA SCARICO CONDENSA	CONDENSATE DRAIN PIPE			a;b;c;d;e;f;g; h;q;r;s;t;u;v; Up to 2021/16
318	0CK708	80540GM00	ASS. CONDUTTURA SCARICO CONDENSA	CONDENSATE DRAIN PIPE			a;b;c;d;e;f;g; h;q;r;s;t;u;v from;2021/17
319	0CK321	800404000	COPERTURA POSTERIORE CARTER	CARTER BACK COVER			Up to 2022/10
319	0CK680	800404700	COPERTURA POSTERIORE CARTER	CARTER BACK COVER			Marine Up to 2022/10
320	0CK236	800403Z00	CARTER COPERTURA FONDO	CARTER BOTTOM COVER			Up to 2022/10
320	0CK681	800404600	CARTER COPERTURA FONDO	CARTER BOTTOM COVER			Marine Up to 2022/10
320	0CK873	541403B00	CARTER COPERTURA FONDO	CARTER BOTTOM COVER			From 2022/11
321	0CK178	546400W01	SUPPORTO SCORRIMENTO DOCCETTA	SHOWER HOSE SUPPORT SLIPPING	X		
322	0CK203	542400001	VASCHETTA RACCOGLI CONDENSA GN 1/1	FRONT DRIP TRAY GN 1/1	X		a;b;c;d;e;f;g; h;q;r;s;t;u;v Ass.y 0CK196
322	0CK202	542400101	VASCHETTA RACCOGLI CONDENSA GN 2/1	FRONT DRIP TRAY GN 2/1	X		i;j;k;l;m;n;o;p; w;x;y;z;a1;b1 Ass.y 0CK197
323	0CB250	689400001	VALVOLA SCARICO BOILER	BOILER DRAIN VALVE	X	X	EU
323	0CB251	689400500	VALVOLA SCARICO BOILER	BOILER DRAIN VALVE	X	X	USA
323a	0CBCKC	515406000	PORTAGOMMA 3/4"	HOSE FITTING 3/4"	X		
324	0CK682	83040PP01	KIT PANNELLO FACCIATA INFERIORE		X		Up to 2019/41

SKYLINE							
Pos	Spare part Code	Factory code	Descrizione	Description	V	W & T	Ref./Notes
324	0CK427	541402Z00	PANNELLO FACCIATA INFERIORE			X	From 2019/42
325	0CK657	544403H00	MANICOTTO A GOMITO SCARICO CELLA NBR	NBR MANIFOLD		X	EPDM KIT 0CK86E
326	0CK420	830409A05	ASSIEME CAMINO ABBATTITORE	STEAM EXHAUST PIPE			a;b;c;d;e;f;g; h;i;j;k;l;m;n;o;p Up to 2022/10
326	0CK876	830409A06	ASSIEME CAMINO ABBATTITORE	STEAM EXHAUST PIPE			a;b;c;d;e;f;g; h;i;j;k;l;m;n;o;p From 2022/11
326	0CK075	830409B05	ASSIEME CAMINO ABBATTITORE	STEAM EXHAUST PIPE			q;r;s;t;u;v;w;x; y;z;a1;b1 Up to 2022/10
326	0CK877	830409B06	ASSIEME CAMINO ABBATTITORE	STEAM EXHAUST PIPE			q;r;s;t;u;v;w;x; y;z;a1;b1 From 2022/11
327	0CK670		CONDENSATORE 5 MF	CAPACITOR 5 MF			
328	0CK155	514407S00	PIOLO SCARICO CONDENSA PORTA	CONDENSATE DOOR DRAIN STUD	X	X	
329	0CK193	689400700	VALVOLA MOTORIZZATA 1"	MOTORIZED BALL VALVE 1"	X	X	EU
329	0CK380	689400600	VALVOLA MOTORIZZATA 1"	MOTORIZED BALL VALVE 1"	X	X	USA
330	0CK138	544401V02	MANICOTTO COLLEGAMENTO CAMINO	RUBBER MANIFOLD		X	
331	0CK86W	0835407C01	DOCCETTA	WATER SPRAY GUN			- e;f;g;m;n;o all - o;t;u;z;a1 all - a;b;c;d;h;60 Hz - i;j;k;l;p;60 Hz - q;r;s;v;60 Hz - w;x;y;b1;60 Hz - h;q;u;v ENGEFOOD
331	0CK86W	0835407C01	DOCCETTA	WATER SPRAY GUN			a;d;h;i;l;p;q; s;v;w;y;b1 AUS From 2023/39
332	0CK096	514405A00	DADO CIECO 1"G	NUT 1"		X	
333	0CK073	805409V01	ASS. COLLETTORE SCARICO AIRBREAK	AIRBREAK DRAIN ASSEMBLY	X	X	
334	0CK142	544401J03	MANICOTTO SCARICO CELLA			X	
335	0CK162	518400Y00	RONDELLA OTTONE (34X42X2.5)	BRASS WASHER (34X42X2.5)		X	
336	0CK170	83040C000	SONDA TEMP. ABBATTITORE FUMANE	STEAM QUENCHING TEMP. PROBE	X	X	Up to 2022/10
*	0CK858		KIT SONDA TEMP. ABBATTITORE FUMANE	STEAM QUENCHING TEMP. PROBE KIT			
337	0CK106	502404000	FILTRO SUPPORTO DETERGENTE	DETERGENT HOLDER FILTER			
338	0CK206	544402Z00	TUBO SILICONE	SILICON HOSE		X	
339	046855	518602801	FASCETTA	CLAMP		X	
340	0CK659	653400C00	SONDA NTC SICUREZZA	SAFETY NTC PROBE	X	X	
341	0CK304	0835405Q00	ASSIEME FASCETTA FBS HC 24/12	SPRING CLAMP FBS HC 24/12 ASSEMBLY		X	
341a	0CK304	0835405Q00	ASSIEME FASCETTA FBS HC 24/12	SPRING CLAMP FBS HC 24/12 ASSEMBLY		X	i;j;k;l;m;n;o;p; w;x;y;z;a1;b1 Up to 2022/10
341a	0CK304	0835405Q00	ASSIEME FASCETTA FBS HC 24/12	SPRING CLAMP FBS HC 24/12 ASSEMBLY		X	a;b;c;d;e;f;g; h;q;r;s;t;u;v; Up to 2021/16
342	0CK191	544402Y00	TUBO SCARICO BOILER	BOILER DRAIN HOSE		X	
343	0CK139	544401Z02	MANICOTTO COLLEGAM. SCARICHI 1/1	DRAIN CONNECTOR 1/1		X	a;b;c;d;e;f;g;h; q;r;s;t;u;v
343	0CK140	544403100	MANICOTTO COLLEGAM. SCARICHI 2/1	DRAIN CONNECTOR 2/1		X	i;j;k;l;m;n;o; p;w;x;y;z;a1;b1
344	0C5829	544819400	TUBO EPDM BLU	EPDM BLUE HOSE		X	
345	0CK192	544401Y00	TUBO SILICONE RETINATO	SILICONE HOSE REINFORCED		X	

SKYLINE							
Pos	Spare part Code	Factory code	Descrizione	Description	V	W & T	Ref./Notes
346	0CK190	544402000	TUBO NBR TELATO	NBR HOSE BLACK		X	
346a	0CK190	544402000	TUBO NBR TELATO	NBR HOSE BLACK		X	i;j;k;l;m;n;o;p; w;x;y;z;a1;b1 Up to 2022/10
346a	0CK190	544402000	TUBO NBR TELATO	NBR HOSE BLACK		X	a;b;c;d;e;f;g; h;q;r;s;t;u;v; Up to 2021/16
347	0CK083	514404Y01	BICONO TENUTA TERMOCOPPIA	THERMOCOUPLE BICONICAL SEALING		X	Up to 2022/10
348	0C9201	518825C01	FASCETTA A VITE CLAMP BCT-9420 X TUBO D21-44	CLAMP BCT-9420 X TUBO D21-44		X	
349	0L3736	640613Q00	SENSORE REED CASSETTO PASTIGLIE	TABS DRAWER REED SENSOR			
350		518400F00	FASCETTA NORMACLAMP COBRA 19/8 W4	SPRING CLAMP COBRA 19/8 W4		X	i;j;k;l;m;n;o;p; w;x;y;z;a1;b1 Up to 2022/10
350		518400F00	FASCETTA NORMACLAMP COBRA 19/8 W4	SPRING CLAMP COBRA 19/8 W4		X	a;b;c;d;e;f;g;h; q;r;s;t;u;v Up to 2021/16
351	0CK007	654400300	SENSORE REED PORTA DX	RIGHT DOOR REED SENSOR			L = 470 mm
351	0CK384	654400500	SENSORE REED PORTA SX	LEFT DOOR REED SENSOR			L=1100 mm
352	0CK177	514406W01	SUPPORTO PASTIGLIE	TABS HOLDER			Up to 2020/42 Order 352a+354a
352a	0CK655	542400D00	SUPPORTO PASTIGLIE	TABS HOLDER			From 2020/43
353	0CK246	514406V01	MOLLA TAPPO	CUP SPRING		X	
354	0CK125	543402S01	GUARNIZIONE TAPPO	CUP GASKET		X	Up to 2020/42 Order 352a+354a
354a	0CK656	543403W01	GUARNIZIONE TAPPO	CUP GASKET		X	From 2020/43
355	0CK180	541402M00	TAPPO MOBILE	MOBILE CUP		X	Up to 2020/42 Order 352a+354a
356	0CK179	541402D00	TAPPO FISSO	FIX CUP		X	Up to 2020/42
356a	0CK645	80540GG00	TAPPO FISSO	FIX CUP		X	From 2020/43
357	0CK322	80540DK01	ASSIEME TAPPO SERBATOIO CHIMICA	CUP TANK ASSEMBLY		X	Up to 2020/42
357a	0CK322	80540DK04	ASSIEME TAPPO SERBATOIO CHIMICA	CUP TANK ASSEMBLY		X	From 2020/43
358	0PE481	511T00300	MANOPOLA ZIGRINATA	KNURLED SCREW		X	Up to 2020/42 Order 358a+358b
358a	0CK671	051440A901	PERNO	PIN			
358b	0CK672	0514404V03	BOCCOLA	BUSH			
359	0CK669	001541900	RONDELLA INOX (5X15X1,5)	INOX WASHER (5X15X1,5)			
360	0CK100	835405P00	FASCETTA A MOLLA FBS HC 38/12	SPRING CLAMP FBS HC 38/12		X	
361	0S1279	0P.P313.00.00	SEGER PER MINIREEL (PER FORO d. 28)	SEGER diam. 28 mm		X	
362	0CK710	546401N00	RACCORDO A Y PORTAGOMMA PG10 IN PA6 COD. 5060TR10	THREE WAYS FITTING			From 2021/17 Up to 2022/10
362	0CK88S	546401N01	RACCORDO A Y PORTAGOMMA ELDON JAMES 3/8	THREE WAYS FITTING			From 2022/11
363	0CBAJ9	P666	O-RINGS KIT	O-RINGS KIT		X	
364	0CK429	0R.F193	TUBO FLESSIBILE EPDM d.6x12mm	HOSE WITH O-RINGS AND COUPLINGS		X	d.6x12mm, length1.35 mt
365	0CK430	0R.P470	MOLLA SAGOMATA	SPRING		X	
366	0CBAJ8	080540H200	TESTA DOCCIA	SPRAY VALVE		X	
367	0CK600	544401S01	COLLETTORE RPE DN19 CON FILTRO 3/4"	COLLECTOR		X	
368	0C2312	549801800	VALVOLA DI NON RITORNO	NON-RETURN VALVE		X	Up to 2023/38
369	0CK646	083040KU00	ASS. RACCORDO 3/4" INGRESSO ACQUA	WATER INLET FITTING		X	Up to 2023/38
369a	0CK9B3	080540J200	ASS. RACCORDO 3/4" INGRESSO ACQUA	DOUBLE CHECK VALVE ASSEMBLY		X	From 2023/39

SKYLINE

Pos	Spare part Code	Factory code	Descrizione	Description	V	W & T	Ref./Notes
370	0CK872	0639721300	CAVALLOTTO				i;j;k;l;m;n;o;p; w;x;y;z;a1;b1 From 2022/11
371	0C5385	835872300	FASCETTA NORMACLAMP COBRA DN 16X8	CLAMP COBRA DN 16 X 8			
372	0PRRXL	080540HY00	ASS. TUBO INGRESSO	INLET HOSE ASSEMBLY			From 2022/11
373	0L0674	080540H100	ASSIEME RACCORDO PINTOSSI 90°	90° FITTING ASSEMBLY			From 2022/11
374	0CK046	0544403300	TUBO ESTRUSO NBR 10X17	NBR HOSE 10X17			

SKYLINE							
Pos	Spare part Code	Factory code	Descrizione	Description	V	W & T	Ref./Notes
400	0CK272	83040C402	BOILER 6 1/1	BOILER 6 1/1	X		d,e,f,g
400	0CK271	83040C301	BOILER 10 1/1	BOILER 10 1/1	X		s;t;u Up to 2022/40
400a	0CBAWK	83040QA00	BOILER 10 1/1	BOILER 10 1/1	X		s;t;u From 2022/41
400	0CK307	83040C502	BOILER 6 2/1	BOILER 6 2/1	X		l;m;n;o
400	0CK308	83040C602	BOILER 10 2/1	BOILER 10 2/1	X		y;z;a1
401	007033	830890501	SONDA LIVELLO ACQUA	WATER LEVEL SENSOR	X	X	
402	0CK147	514406Q00	MOLLA	SPRING		X	
403	0C5834	543844800	GUARNIZIONE RESISTENZA BOILER	BOILER HEATING ELEMENT GASKET	X	X	a;b;c;d;e;f;g; h;l;j;k;l;m;n;o; p;q;rv;w;x;y;z; a1;b1 Always
403	0C5834	543844800	GUARNIZIONE RESISTENZA BOILER	BOILER HEATING ELEMENT GASKET	X	X	s;t;u Up to 2022/40
403a	0CK9AN	543403Y00	GUARNIZIONE RESISTENZA BOILER	BOILER HEATING ELEMENT GASKET	X	X	s;t;u From 2022/41
404	0CK214	617402802	RESIST. BOILER 415V 9688W	BOILER HEATING ELEM. 415V 9688W	X		d,e,f,g 380-415V Order KIT 0CBAMR
404	0CK214	617402802	RESIST. BOILER 415V 9688W	BOILER HEATING ELEM. 415V 9688W	X		s;t;u 380-415V Up to 2022/40 Order KIT 0CBAMR
404a	0CBAWN	617403X00	RESIST. BOILER 415V 19380W	BOILER HEATING ELEM. 415V 19380W	X		s;t;u 380-415V From 2022/41 Order KIT 0CBCGI
404	0CK215	617402D01	RESIST. BOILER 415V 19375W	BOILER HEATING ELEM. 415V 19375W	X		l;m;n;o;y;z;a1 380-415V Order KIT 0CBAMS
404	0CK023	617402701	RESIST. BOILER 240V 9688W	BOILER HEATING ELEM. 240V 9688W	X		d,e,f,g 220-240V Order KIT 0CBAMP
404	0CK023	617402701	RESIST. BOILER 240V 9688W	BOILER HEATING ELEM. 240V 9688W	X		s;t;u 220-240V Up to 2022/40 Order KIT 0CBAMP
404a	0CK9AO	617404100	RESIST. BOILER 240V 19600W	BOILER HEATING ELEM. 240V 19600W	X		s;t;u 220- 240V From 2022/41 Order KIT 0CKNCK
404	0CK024	617402C01	RESIST. BOILER 240V 19375W	BOILER HEATING ELEM. 240V 19375W	X		l;m;n;o;y;z;a1; 220-240V Order KIT 0CBAMQ
404	0CK399	617402601	RESIST. BOILER 208V 9000W	BOILER HEATING ELEM. 208V 9000W	X		d,e,f,g 200-208V Order KIT 0CBAMT
404	0CK399	617402601	RESIST. BOILER 208V 9000W	BOILER HEATING ELEM. 208V 9000W	X		s;t;u 200-208V Up to 2022/40 Order KIT 0CBAMT
404a	0CK9AQ	617404000	RESIST. BOILER 208V 18000W	BOILER HEATING ELEM. 208V 18000W	X		s;t;u 200-208V From 2022/41 Order KIT 0CKNCL
404	0CK401	617402B01	RESIST. BOILER 208V 18000W	BOILER HEATING ELEM. 208V 18000W	X		l;m;n;o;y;z;a1; 200-208V Order KIT 0CBAMV

SKYLINE							
Pos	Spare part Code	Factory code	Descrizione	Description	V	W & T	Ref./Notes
404	0CK400	617402A01	RESIST. BOILER 480V 9000W	BOILER HEATING ELEM. 480V 9000W	X		d;e;f;g 460-480V Order KIT 0CBAMU
404	0CK400	617402A01	RESIST. BOILER 480V 9000W	BOILER HEATING ELEM. 480V 9000W	X		s;t;u 460-480V Up to 2022/40 Order KIT 0CBAMU
404a	0CBAWP	617403Z00	RESIST. BOILER 480V 18000W	BOILER HEATING ELEM. 480V 18000W	X		s;t;u 460-480V From 2022/41 Order KIT 0CBCGJ
404	0CK402	617402G01	RESIST. BOILER 480V 18000W	BOILER HEATING ELEM. 480V 18000W	X		l;m;n;o;y;z;a1; 460-480V Order KIT 0CBAMW
404	0CK611	617402901	RESIST. BOILER 440V 9423W	BOILER HEATING ELEM. 440V 9423W	X		d;e;f;g 440V Order KIT 0CBAMX
404	0CK611	617402901	RESIST. BOILER 440V 9423W	BOILER HEATING ELEM. 440V 9423W	X		s;t;u 440V Up to 2022/40 Order KIT 0CBAMX
404a	0CBAWO	617403Y00	RESIST. BOILER 440V 18846W	BOILER HEATING ELEM. 440V 18846W	X		s;t;u 440V From 2022/41 Order KIT 0CBCGK
404	0CK613	617402F01	RESIST. BOILER 440V 18847W	BOILER HEATING ELEM. 440V 18847W	X		l;m;n;o;y;z;a1; 440V; Order KIT 0CBAMY
405	0CK188	515404902	TUBO INGRESSO ARIA	AIR INLET PIPE			
406	0CK270	83040BY01	SENSORE DI TEMPERATURA BOILER	BOILER TEMPERATURE SENSOR	X	X	
407	0CK006	805409304	ASSIEME VALVOLA ARIA	AIR INLET VALVE	X	X	
407a	0CK9CQ	543402R00	GUARNIZIONE VALVOLA ARIA	AIR INLET VALVE GASKET			
408	0CK072	569400Q00	KIT TENUTA ALBERO MOTORE	MOTOR SHAFT SEALING KIT		X	
409	0CK871	541403900	TEGOLO PARAGOCCE	DRIP PROTECTION			
410	0CK200	504409J00	VENTOLA GN 1/1	FAN GN1/1			a;b;c;d;e;f;g; h;q;r;s;t;u;v
410	0CK201	504409K00	VENTOLA GN 2/1	FAN GN 2/1			l;j;k;l;m;n;o;p; w;x;y;z;a1;b1
411	0CK211	617401N02	RESISTENZA CELLA 400V 6 1/1	CAVITY HEATING ELEM. 400V 6 1/1	X		a;b;c;d;e;f;g;h; 400V Order KIT 0CBAL8
411	0CK213	617401Y02	RESISTENZA CELLA 400V 10 1/1	CAVITY HEATING ELEM. 400V 10 1/1	X		q;r;s;t;u;v;400V Order KIT 0CBAMA
411	0CK210	617401T02	RESISTENZA CELLA 400V 6 2/1	CAVITY HEATING ELEM. 400V 6 2/1	X		i;j;k;l;m;n;o;p; 400V Order KIT 0CBAL7
411	0CK212	617402302	RESISTENZA CELLA 400V 10 2/1	CAVITY HEATING ELEM. 400V 10 2/1	X		w;x;y;z;a1;b1; 400V Order KIT 0CBAL9
411	0CK019	617401M01	RESISTENZA CELLA 240V 6 1/1	CAVITY HEATING ELEM. 240V 6 1/1	X		a;b;c;d;e;f;g;h; 240V Order KIT 0CBAL3
411	0CK021	617401X01	RESISTENZA CELLA 240V 10 1/1	CAVITY HEATING ELEM. 240V 10 1/1	X		q;r;s;t;u;v 240V Order KIT 0CBAL5

SKYLINE							
Pos	Spare part Code	Factory code	Descrizione	Description	V	W & T	Ref./Notes
411	0CK020	617401S01	RESISTENZA CELLA 240V 6 2/1	CAVITY HEATING ELEM. 240V 6 2/1	X		i;j;k;l;m;n;o;p; 240V Order KIT 0CBAL4
411	0CK022	617402201	RESISTENZA CELLA 240V 10 2/1	CAVITY HEATING ELEM. 240V 10 2/1	X		w;x;y;z;a1;b1; 240V Order KIT 0CBAL6
411	0CK391	617401L01	RESISTENZA CELLA 208V 6 1/1	CAVITY HEATING ELEM. 208V 6 1/1	X		a;b;c;d;e;f;g;h; 208V Order KIT 0CBAMB
411	0CK392	617401Q01	RESISTENZA CELLA 480V 6 1/1	CAVITY HEATING ELEM. 480V 6 1/1	X		a;b;c;d;e;f;g;h; 480V; Order KIT 0CBAMC
411	0CK393	617401R01	RESISTENZA CELLA 208V 6 2/1	CAVITY HEATING ELEM. 208V 6 2/1	X		i;j;k;l;m;n;o;p; 208V Order KIT 0CBAMD
411	0CK394	617401V01	RESISTENZA CELLA 480V 6 2/1	CAVITY HEATING ELEM. 480V 6 2/1	X		i;j;k;l;m;n;o;p; 480V; Order KIT 0CBAME
411	0CK395	617401W01	RESISTENZA CELLA 208V 10 1/1	CAVITY HEATING ELEM. 208V 10 1/1	X		q;r;s;t;u;v;208V Order KIT 0CBAMF
411	0CK396	617402001	RESISTENZA CELLA 480V 10 1/1	CAVITY HEATING ELEM. 480V 10 1/1	X		q;r;s;t;u;v 480V Order KIT 0CBAMG
411	0CK397	617402101	RESISTENZA CELLA 208V 10 2/1	CAVITY HEATING ELEM. 208V 10 2/1	X		w;x;y;z;a1;b1 208V Order KIT 0CBAMH
411	0CK398	617402501	RESISTENZA CELLA 480V 10 2/1	CAVITY HEATING ELEM. 480V 10 2/1	X		w;x;y;z;a1;b1 480V Order KIT 0CBAMI
411	0CK612	617401P01	RESISTENZA CELLA 440V 6 1/1	CAVITY HEATING ELEM. 440V 6 1/1	X		a;b;c;d;e;f;g;h 440V MARINE Order KIT 0CBAMO
411	0CK589	617401U01	RESISTENZA CELLA 440V 6 2/1	CAVITY HEATING ELEM. 440V 6 2/1	X		i;j;k;l;m;n;o;p; 440V - MARINE/AUS Order KIT 0CBAML
411	0CK590	617401Z01	RESISTENZA CELLA 440V 10 1/1	CAVITY HEATING ELEM. 440V 10 1/1	X		q;r;s;t;u;v 440V - MARINE/AUS Order KIT 0CBAMM
411	0CK610	617402401	RESISTENZA CELLA 440V 10 2/1	CAVITY HEATING ELEM. 440V 10 2/1	X		w;x;y;z;a1;b1; 440V MARINE Order KIT 0CBAMN
412	0CK216	514404Z03	PERNO SUPPORTO MOTORE	MOTOR PIN SUPPORT			
413	0CK150	611400C02	MOTORE FIR 750W	FIR MOTOR 750W	X		i;j;k;l;m;n;o; p;w;x;y;z;a1; b1 Order KIT 0CBAMZ
413	0CK422	611400B03	MOTORE FIR 450W	FIR MOTOR 450W	X		a;b;c;d;e;f;g; h;q;r;s;t;u;v Order KIT 0CBAN0

SKYLINE							
Pos	Spare part Code	Factory code	Descrizione	Description	V	W & T	Ref./Notes
414	0CBAWR	0646400L00	KLIXON	BOILER SAFETY THERMOSTAT			From 2022/41
414a	0CBAWQ	0638407C00	CABLAGGIO TERMOSTATO BOILER	BOILER SAFETY THERMOSTAT WIRING			From 2022/41
415	0CK189	544401B01	TUBO INGRESSO VAPORE	STEAM INLET HOSE	X	X	
416	0CK309	217016205	VITE TENUTA VENTOLA	FAN SCREW		X	
417	0CK310	206300900	RONDELLA	WASHER		X	
418	0CK311	560401703	ISOLANTE BOILER 6 1/1	BOILER INSULATION 6 1/1		X	d;e;f;g
418	0CK312	560401A03	ISOLANTE BOILER 10 1/1	BOILER INSULATION 10 1/1		X	s;t;u Up to 2022/40
418	0CBAWM	560402P00	ISOLANTE BOILER 10 1/1	BOILER INSULATION 10 1/1		X	s;t;u From 2022/41
418	0CK313	560401803	ISOLANTE BOILER 6 2/1	BOILER INSULATION 6 2/1		X	l;m;n;o
418	0CK314	560401903	ISOLANTE BOILER 10 2/1	BOILER INSULATION 10 2/1		X	y;z;a1
419	006451	147018082	NASTRO ADESIVO ALLUMINATO	ALLUMINIUM ADHESIVE TAPE		X	
420	0CK117	569400Z00	GUARNIZIONE 6 1/1	GASKET 6 1/1	X	X	a;b;c;d;e;f;g;h
420	0CK118	569401000	GUARNIZIONE 6 2/1-10 1/1-10 2/1	GASKET 6 2/1-10 1/1-10 2/1	X	X	i;j;k;l;m;n;o;p; q;r;s;t;u;v;w;x; y;z;a1;b1
429	0CK403	624400P01	TRASFORMATORE TOROIDALE 550VA	TRANSFORMER 550 VA			100-120-200- 208-220-230- 240;V
430	0CK404	624400Q01	TRASFORMATORE TOROIDALE 1450VA	TRANSFORMER 1450 VA			0-230-380- 400-415-440- 460-480;V
431	0CK592	9F92263600	KIT SCARICO ACCIAIO	STEEL PIPES			
432	0CK593	9F92263700	KIT SCARICO PLASTICA	PLASTIC PIPES			

SKYLINE – KIT DI MANUTENZIONE – MAINTENANCE KIT

Pos	Spare Part Code KIT	Description KIT	Spare Part Code	S.P. Q.ty	Spare part position	Spare part Description	Ref./Note	Time/Cycles (hours)	Every (months)
PPM1	0CK891	6 GRIDS GN 1/1; PPM KIT	0CK222	1	115	DOOR GASKET	a; b; c; d; e ;f; g; h	3200	12
			0CK226	1	118	AIR FILTER			
PPM2	0CK892	6 GRIDS GN 2/1; PPM KIT	0CK121	1	115	OVEN DOOR GASKET	i; j; k; l; m; n; o; p	3200	12
			0CK226	1	118	AIR FILTER			
PPM3	0CK893	10 GRIDS GN 1/1; PPM KIT	0CK120	1	115	OVEN DOOR GASKET	q; r; s; t; u; v;	3200	12
			0CK226	1	118	AIR FILTER			
PPM4	0CK894	10 GRIDS GN 2/1; PPM KIT	0CK223	1	115	DOOR GASKET	w; x; y; z; a1; b1	3200	12
			0CK226	1	118	AIR FILTER			
PPM5	0CK360	SKL OV PM KIT 1	0CK120	1	115	DOOR GASKET	q; r; s; t; u; v;	3200 12800	12 48
			0CK226	1	118	AIR FILTER			
			0CK195	1	125	CHECK VALVE			
			0CK323	1	131	BUSH IGUS			
			0CK119	2		IGNITION ROD GASKET			
			0CK115	2		BURNER GASKET			
PPM6	0CK361	SKL OV PM KIT 2	0CK121	1	115	DOOR GASKET	i; j; k; l; m; n; o; p	3200 12800	12 48
			0CK226	1	118	AIR FILTER			
			0CK195	1	125	CHECK VALVE			
			0CK323	1	131	BUSH IGUS			
			0CK119	2		IGNITION ROD GASKET			
			0CK115	2		BURNER GASKET			
PPM7	0CK362	SKL OV PM KIT 3	0CK222	1	115	DOOR GASKET	a; b; c; d; e; f; g; h	3200 12800	12 48
			0CK226	1	118	AIR FILTER			
			0CK195	1	125	CHECK VALVE			
			0CK323	1	131	BUSH IGUS			
			0CK119	2		IGNITION ROD GASKET			
			0CK115	2		BURNER GASKET			
PPM8	0CK363	SKL OV PM KIT 4	0CK223	1	115	DOOR GASKET	w; x; y; z; a1; b1	3200 12800	12 48
			0CK226	1	118	AIR FILTER			
			0CK195	1	125	CHECK VALVE			
			0CK323	1	131	BUSH IGUS			
			0CK119	2		IGNITION ROD GASKET			
			0CK115	2		BURNER GASKET			
PPM9	0CK364	SKL OV PM KIT 5	0CK120	1	115	DOOR GASKET	q; r; s; t; u; v	9600	36
			0CK226	1	118	AIR FILTER			
			0CK195	1	125	CHECK VALVE			
			0CK323	1	131	BUSH IGUS			
			0CK119	2		IGNITION ROD GASKET			
			0CK115	2		BURNER GASKET			
			0CK116	2		BURNER GASKET			
			0CK143	1	111	CLOSING MECHANISM			
			0CK087	1	313	CYLINDER FOR TABS			
0CK322	1	357	CUP TANK ASSEMBLY						

SKYLINE – KIT DI MANUTENZIONE – MAINTENANCE KIT

Pos	Spare Part Code KIT	Description KIT	Spare Part Code	S.P. Q.ty	Spare part position	Spare part Description	Ref./Note	Time/Cycles (hours)	Every (months)
PPM10	0CK365	SKL OV PM KIT 6	0CK121	1	115	DOOR GASKET	i; j; k; l; m; n; o	9600	36
			0CK226	1	118	AIR FILTER			
			0CK195	1	125	CHECK VALVE			
			0CK323	1	131	BUSH IGUS			
			0CK119	2		IGNITION ROD GASKET			
			0CK115	2		BURNER GASKET			
			0CK116	2		BURNER GASKET			
			0CK143	1	111	CLOSING MECHANISM			
			0CK087	1	313	CYLINDER FOR TABS			
			0CK322	1	357	CUP TANK ASSEMBLY			
PPM11	0CK366	SKL OV PM KIT 7	0CK222	1	115	DOOR GASKET	a; b; c; d; e; f; g; h	9600	36
			0CK226	1	118	AIR FILTER			
			0CK195	1	125	CHECK VALVE			
			0CK323	1	131	BUSH IGUS			
			0CK119	2		IGNITION ROD GASKET			
			0CK115	2		BURNER GASKET			
			0CK116	2		BURNER GASKET			
			0CK143	1	111	CLOSING MECHANISM			
			0CK087	1	313	CYLINDER FOR TABS			
			0CK322	1	357	CUP TANK ASSEMBLY			
PPM12	0CK367	SKL OV PM KIT 8	0CK223	1	115	DOOR GASKET	w; x; y; z; a1; b1	9600	36
			0CK226	1	118	AIR FILTER			
			0CK195	1	125	CHECK VALVE			
			0CK323	1	131	BUSH IGUS			
			0CK119	2		IGNITION ROD GASKET			
			0CK115	2		BURNER GASKET			
			0CK116	2		BURNER GASKET			
			0CK143	1	111	CLOSING MECHANISM			
			0CK087	1	313	CYLINDER FOR TABS			
			0CK322	1	357	CUP TANK ASSEMBLY			
PPM13	0CK376	SKL OV PM KIT 17	0CK120	1	115	DOOR GASKET	q; r; s; t; u; v	16000	60
			0CK226	1	118	AIR FILTER			
			0CK195	1	125	CHECK VALVE			
			0CK323	1	131	BUSH IGUS			
			0CK193	1	329	MOTORIZED BALL VALVE			
			0CK119	2		IGNITION ROD GASKET			
			0CK115	2		BURNER GASKET			
			0CK116	2		BURNER GASKET			
			0CK156	1	300	CLEANING PUMP 220-240V 50/60HZ			

SKYLINE – KIT DI MANUTENZIONE – MAINTENANCE KIT

Pos	Spare Part Code KIT	Description KIT	Spare Part Code	S.P. Q.ty	Spare part position	Spare part Description	Ref./Note	Time/Cycles (hours)	Every (months)
PPM14	0CK377	SKL OV PM KIT 18	0CK121	1	115	DOOR GASKET	i; j; k; l; m; n; o	16000	60
			0CK226	1	118	AIR FILTER			
			0CK195	1	125	CHECK VALVE			
			0CK323	1	131	BUSH IGUS			
			0CK193	1	329	MOTORIZED BALL VALVE			
			0CK119	2		IGNITION ROD GASKET			
			0CK115	2		BURNER GASKET			
			0CK116	2		BURNER GASKET			
PPM15	0CK378	SKL OV PM KIT 19	0CK156	1	300	CLEANING PUMP 220-240V 50/60HZ	a; b; c; d; e; f; g; h	16000	60
			0CK222	1	115	DOOR GASKET			
			0CK226	1	118	AIR FILTER			
			0CK195	1	125	CHECK VALVE			
			0CK323	1	131	BUSH IGUS			
			0CK193	1	329	MOTORIZED BALL VALVE			
			0CK119	2		IGNITION ROD GASKET			
			0CK115	2		BURNER GASKET			
PPM16	0CK379	SKL OV PM KIT 20	0CK116	2		BURNER GASKET	w; x; y; z; a1; b1	16000	60
			0CK156	1	300	CLEANING PUMP 220-240V 50/60HZ			
			0CK223	1	115	DOOR GASKET			
			0CK226	1	118	AIR FILTER			
			0CK195	1	125	CHECK VALVE			
			0CK323	1	131	BUSH IGUS			
			0CK193	1	329	MOTORIZED BALL VALVE			
			0CK119	2	403	IGNITION ROD GASKET			
0CK115	2	405-432	BURNER GASKET						
0CK116	2	405-432	BURNER GASKET						

Electrolux Professional SpA
Viale Treviso, 15
33170 Pordenone, ITALY
Fax (+39) 0434 380 201
<https://www.electroluxprofessional.com>
<https://webgate.electroluxprofessional.com>