

## SKYLINE ELECTRIC OVEN FORNO ELETTRICO SKYLINE

Type Reference	Ref	Page	Description	Note
COE61C20	a		6 grids GN 1/1 - touch convection - double glass - Standard	
COE61C2K	b		6 grids GN 1/1 - touch convection - double glass - Smoker/Aromatizer	
COE61C30	c		6 grids GN 1/1 - touch convection - triple glass - Standard	
COE61D20	d		6 grids GN 1/1 - digital steam - double glass - Standard	
COE61T20	e		6 grids GN 1/1 - touch steam - double glass - Standard	
COE61T2K	f		6 grids GN 1/1 - touch steam - double glass - Smoker/Aromatizer	
COE61T30	g		6 grids GN 1/1 - touch steam - triple glass - Standard	
COE61V20	h		6 grids GN 1/1 - digital convection - double glass - Standard	
COE62C20	i		6 grids GN 2/1 - touch convection - double glass - Standard	
COE62C2K	j		6 grids GN 2/1 - touch convection - double glass - Smoker/Aromatizer	
COE62C30	k		6 grids GN 2/1 - touch convection - triple glass - Standard	
COE62D20	l		6 grids GN 2/1 - digital steam - double glass - Standard	
COE62T20	m		6 grids GN 2/1 - touch steam - double glass - Standard	
COE62T2K	n		6 grids GN 2/1 - touch steam - double glass - Smoker/Aromatizer	
COE62T30	o		6 grids GN 2/1 - touch steam - triple glass - Standard	
COE62V20	p		6 grids GN 2/1 - digital convection - double glass - Standard	
COE11C20	q		10 grids GN 1/1 - touch convection - double glass - Standard	
COE11C30	r		10 grids GN 1/1 - touch convection - triple glass - Standard	
COE11D20	s		10 grids GN 1/1 - digital steam - double glass - Standard	
COE11T20	t		10 grids GN 1/1 - touch steam - double glass - Standard	
COE11T30	u		10 grids GN 1/1 - touch steam - triple glass - Standard	
COE11V20	v		10 grids GN 1/1 - digital convection - double glass - Standard	
COE12C20	w		10 grids GN 2/1 - touch convection - double glass - Standard	
COE12C30	x		10 grids GN 2/1 - touch convection - triple glass - Standard	
COE12D20	y		10 grids GN 2/1 - digital steam - double glass - Standard	
COE12T20	z		10 grids GN 2/1 - touch steam - double glass - Standard	
COE12T30	a1		10 grids GN 2/1 - touch steam - triple glass - Standard	
COE12V20	b1		10 grids GN 2/1 - digital convection - double glass - Standard	

### Index

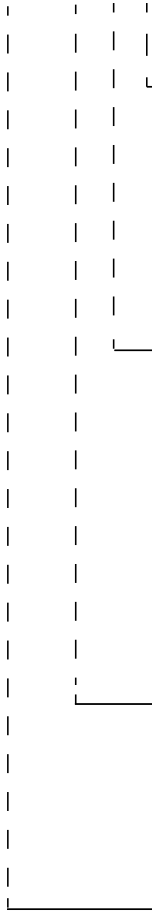
Description Type Reference/Descrizione Type Reference	2
Oven cabinet and door/Cella forno e porta	3
Electrical components/Componenti elettrici	4
Water system/Impianto idraulico	5
Boiler	6
Spare parts list / Lista ricambi	7-13

### Page

**V = Vital spare part/Ricambio vitale**  
**W&T = Wear&Tear and Consumable/Ricambio usurabile e consumabile**  
**S = Suggested/Ricambio suggerito**  
**Bold=last change / Grassetto =ultima modifica**

From Ser. Nr... Up to Ser. Nr...	Ed. 1.0 05.2019	Page:1	<b>Doc No: 595403H00</b>
-------------------------------------	-----------------	--------	--------------------------

COE \* \* \*

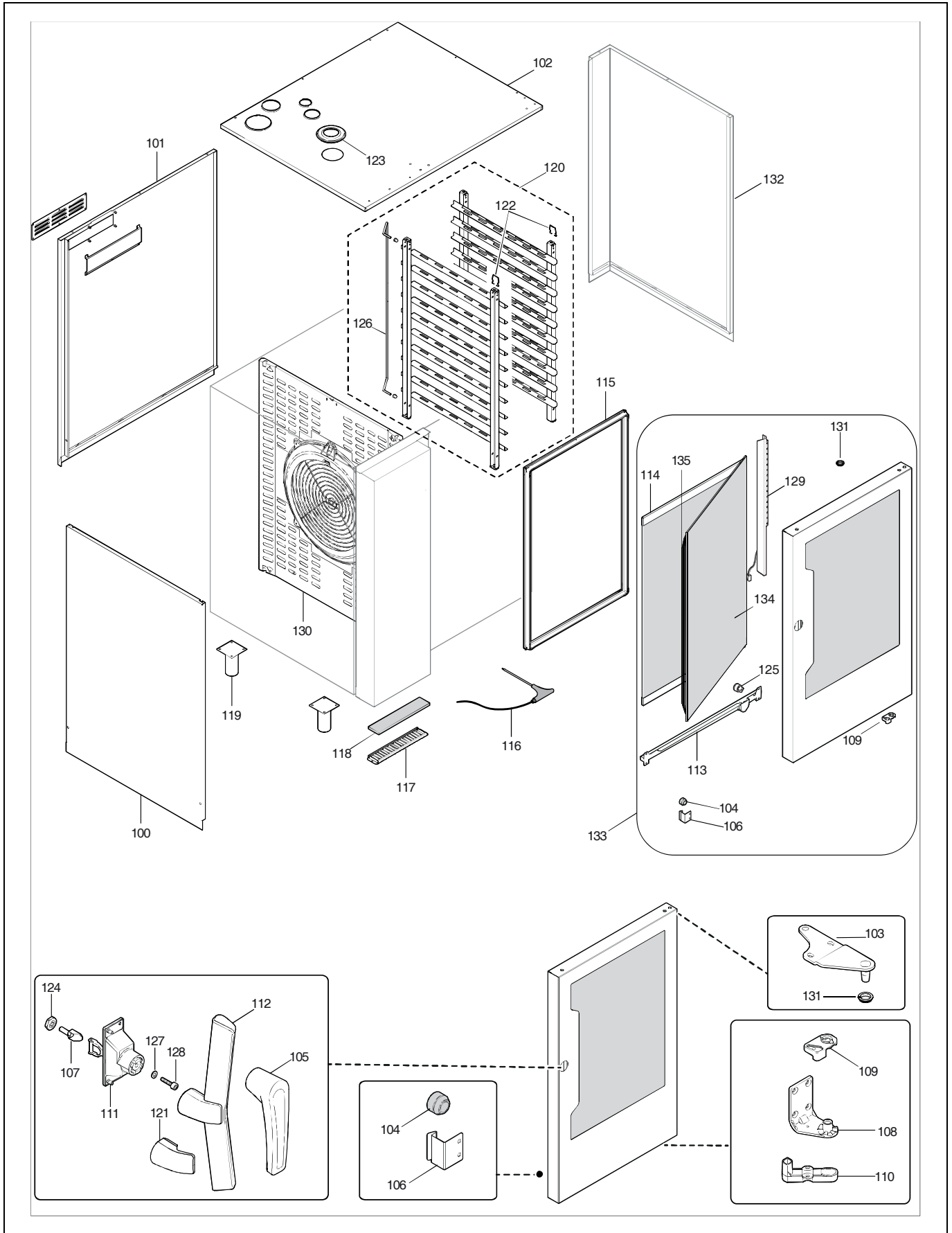


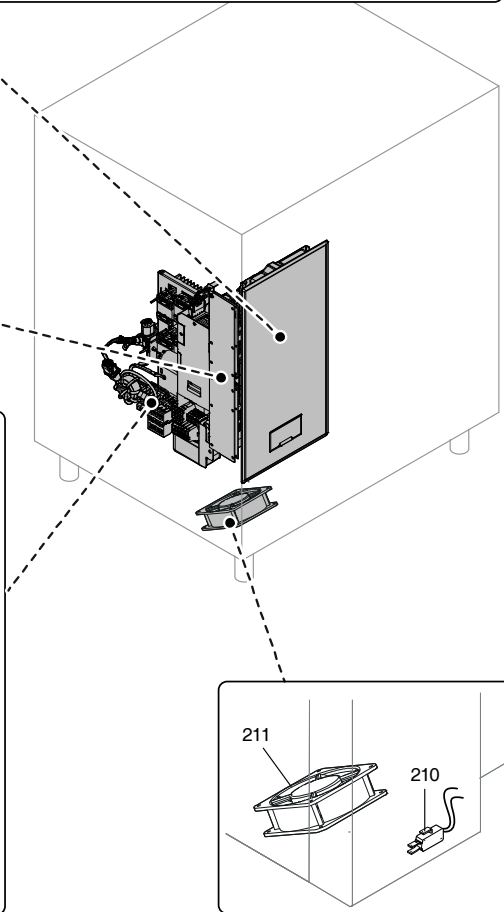
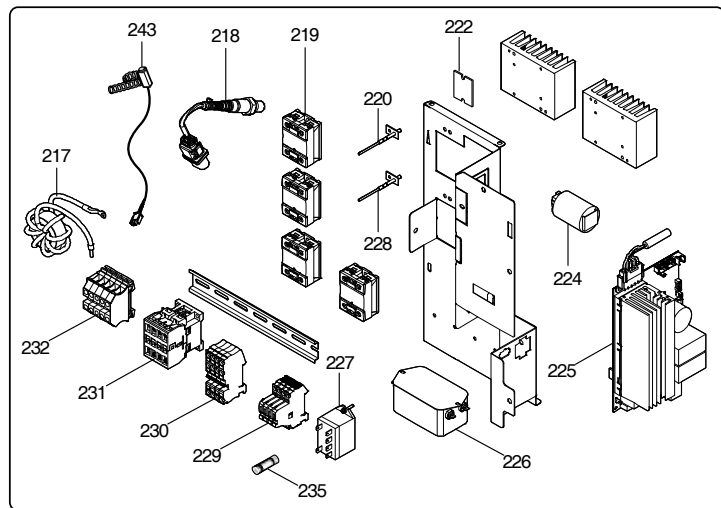
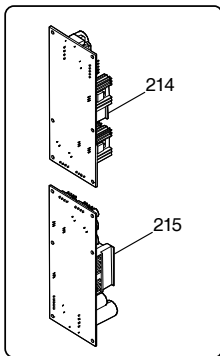
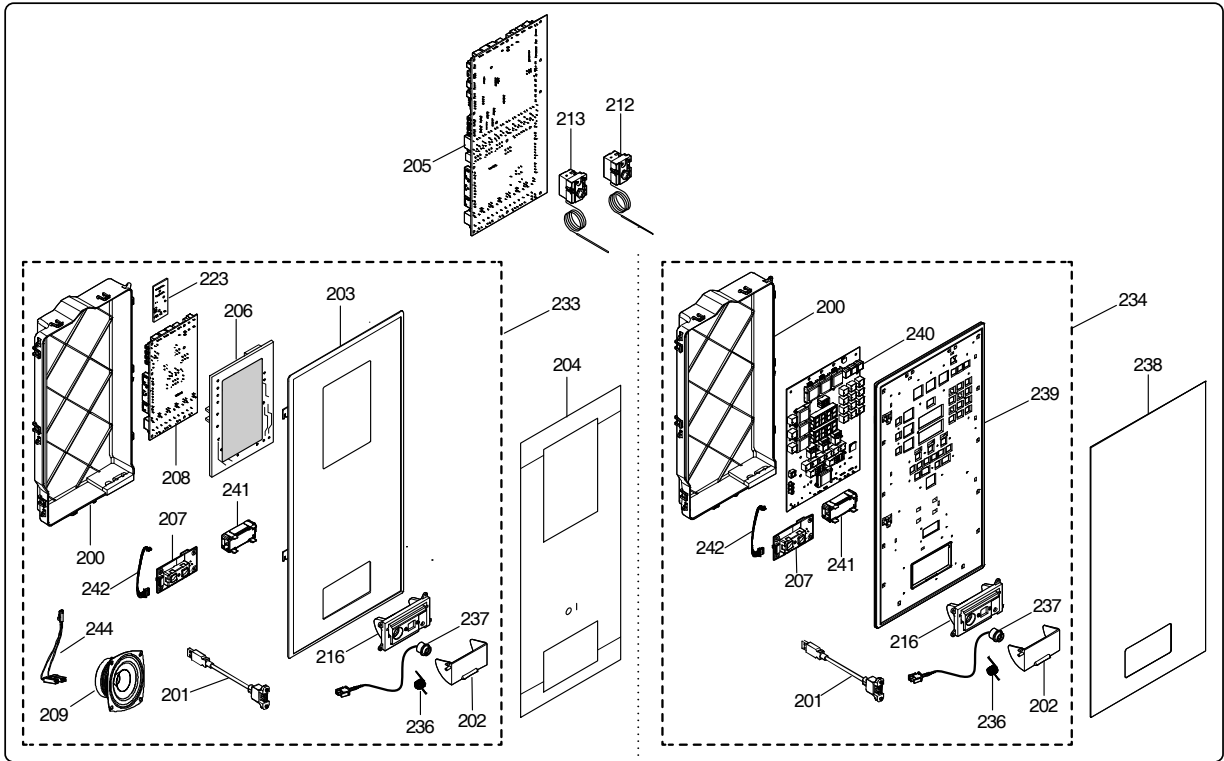
K = Smoker/Aromatizer  
0 = Standard

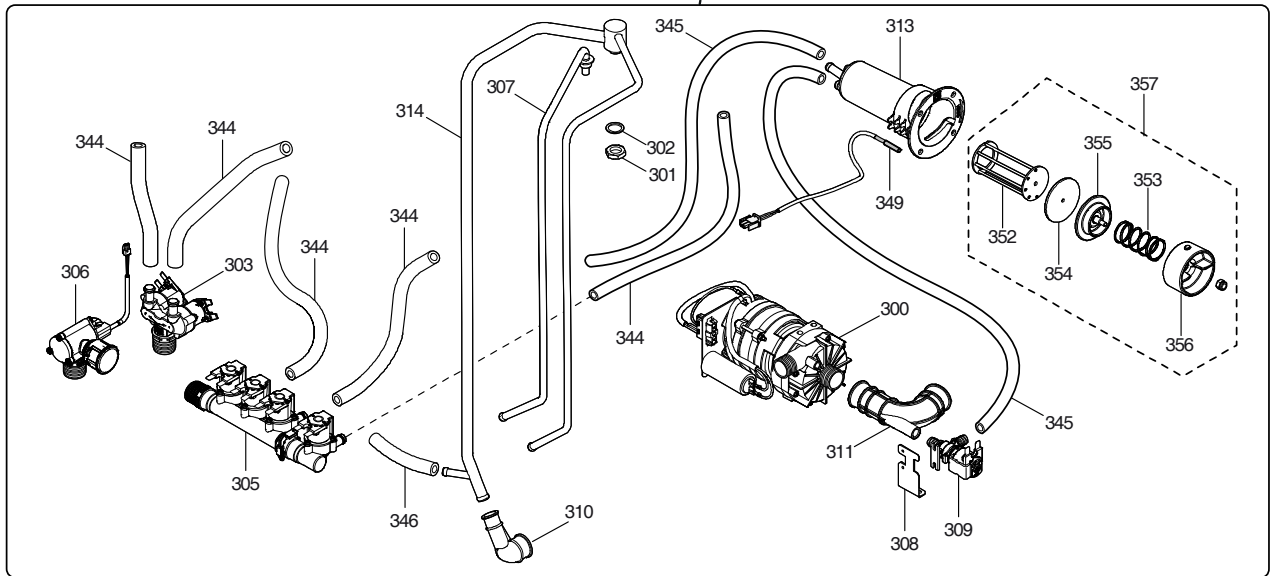
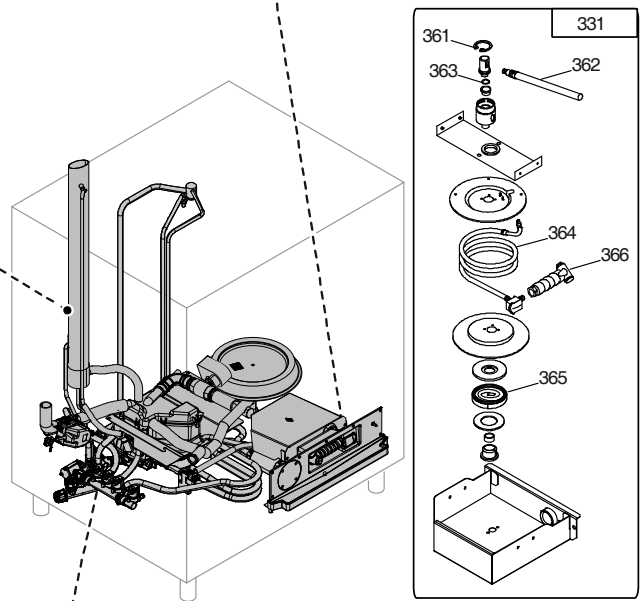
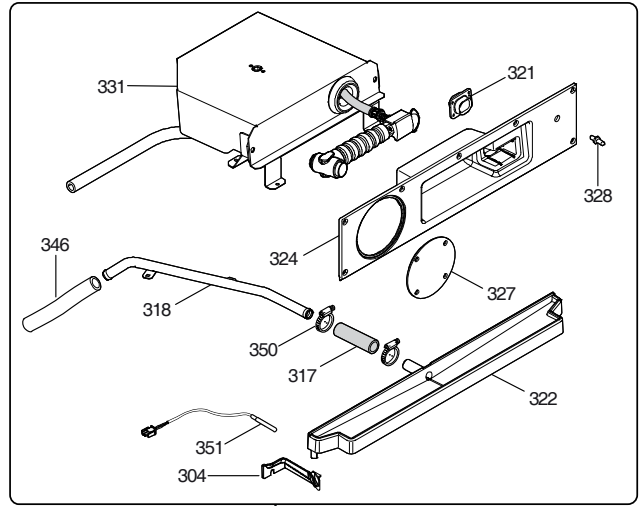
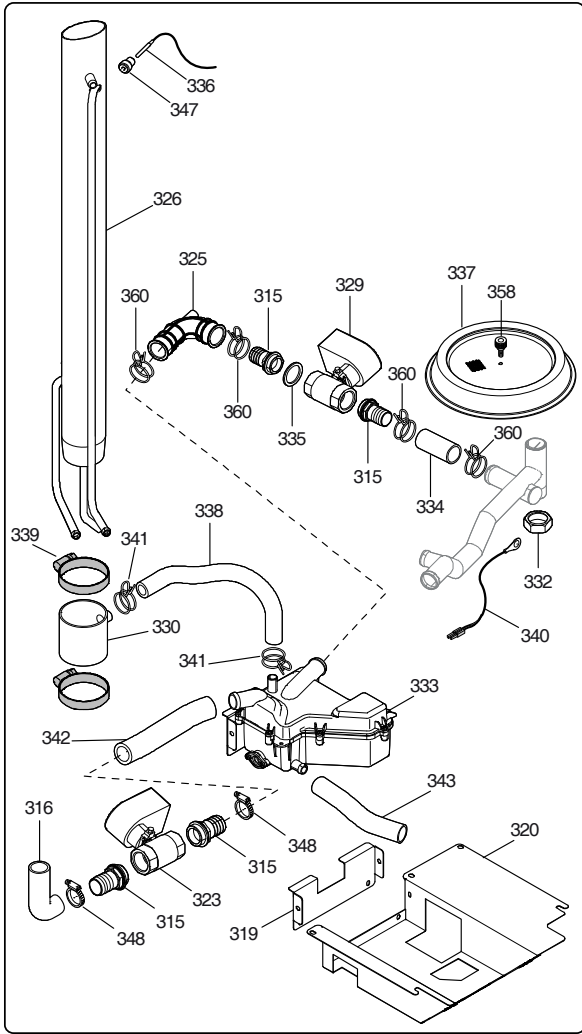
T2 = touch steam - double glass  
T3 = touch steam - triple glass  
C2 = touch convect – double glass  
C3 = touch convect – triple glass  
D2 = digital steam – double glass  
D3 = digital steam – triple glass  
V2 = digital convect – double glass  
V3 = digital convect – triple glass

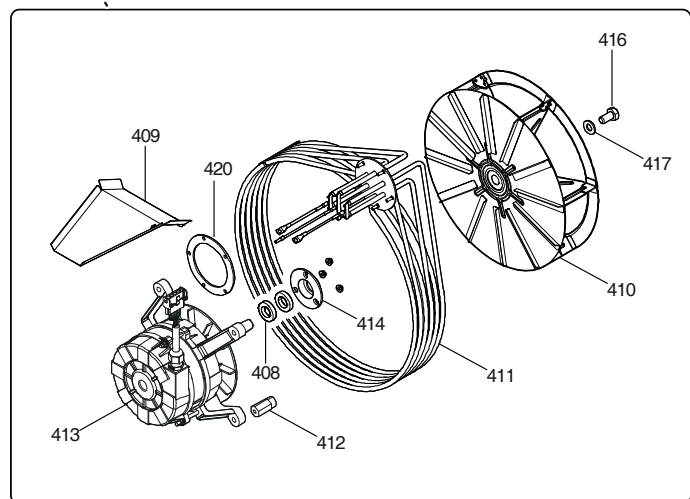
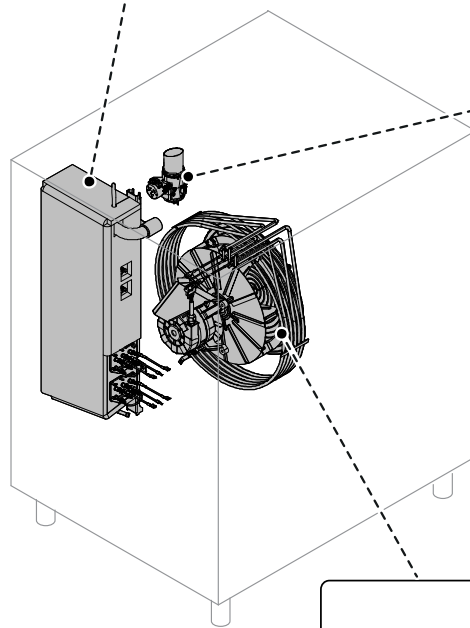
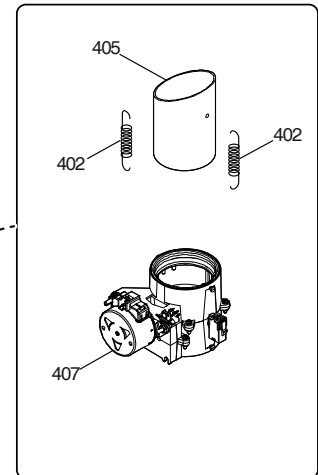
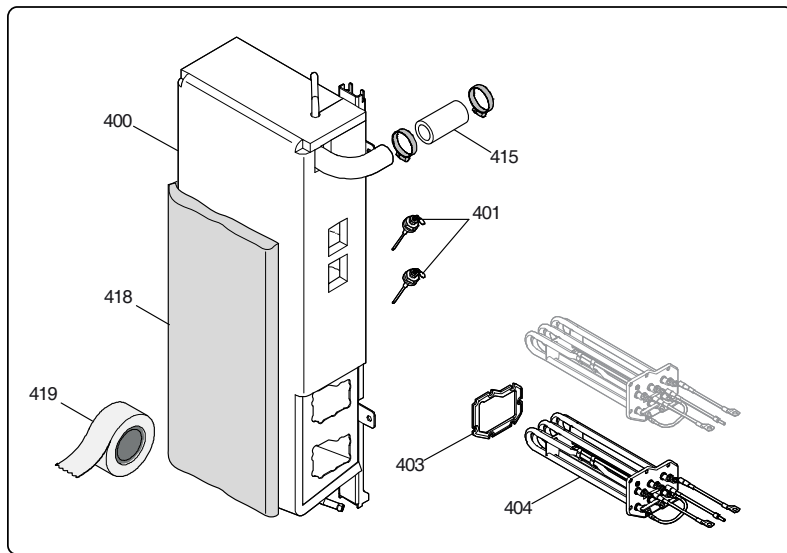
61 = 6 grids GN1/1  
62 = 6 grids GN2/1  
11 = 10 grids GN1/1  
12 = 10 grids GN2/1  
21 = 20 grids GN1/1  
22 = 20 grids G21/1

COE = Combi Oven Electric









**SKYLINE**

Pos	Spare part Code	Factory Code	Descrizione	Description	V	W & T	S	Ref./Note
100	0CK103	503404P02	FIANCO SINISTRO 6 1/1	LEFT PANEL 6 1/1				6 GN 1/1
100	0CK102	503404Q02	FIANCO SINISTRO 10 1/1	LEFT PANEL 10 1/1				10 GN 1/1
100	0CK104	503405A02	FIANCO SINISTRO 6 2/1	LEFT PANEL 6 2/1				6 GN 2/1
100	0CK227	503405B02	FIANCO SINISTRO 10 2/1	LEFT PANEL 10 2/1				10 GN 2/1
101	0CK293	503404R03	SCHIENALE FORNO 6 1/1	BACK PANEL 6 1/1				6 GN 1/1
101	0CK294	503404S03	SCHIENALE FORNO 10 1/1	BACK PANEL 10 1/1				10 GN 1/1
101	0CK295	503405603	SCHIENALE FORNO 6 2/1	BACK PANEL 6 2/1				6 GN 2/1
101	0CK296	503405703	SCHIENALE FORNO 10 2/1	BACK PANEL 10 2/1				10 GN 2/1
102	0CK230	503404C03	COPERCHIO FORNO 6-10 1/1	TOP PANEL 6-10 1/1				6-10 GN 1/1
102	0CK229	503405D02	COPERCHIO FORNO 6-10 2/1	TOP PANEL 6-10 2/1				6-10 GN 2/1
103	0C4234	806847803	CERNIERA SUPERIORE	UPPER HINGE	X	X		RIGHT HINGED
103	*	80540DX00	CERNIERA SUPERIORE PORTA REV	UPPER HINGE FOR REVERSE DOOR	X	X		LEFT HINGED
104	0CK071	543401S02	AMMORTIZZATORE VETRO INTERNO	INNER GLASS DUMPER		X		
105	0CK319	830409802	MANIGLIA PORTA	DOOR HANDLE	X			ZANUSSI
106	0CK148	50440CX02	MOLLA FERMAVETRO	INNER GLASS STOPPER		X		
107	0C4092	806859903	NASELLO CHIUSURA 1-STEP	SINGLE STEP DOOR LATCH	X	X		
108	0CK086	510400101	CERNIERA INFERIORE PORTA	LOWER HINGE	X	X		RIGHT HINGED
108	*	800401Y00	CERNIERA INFERIORE PORTA REV	LOWER HINGE FOR REVERSE DOOR	X	X		LEFT HINGED
109	0CK158	511400N01	POSIZIONAT. INF.CON FERMO-PORTA	DOOR POSITIONER WITH STOPPER		X		RIGHT HINGED
109	0CK354	511400R00	POSIZIONAT. INF.CON FERMO-PORTA	DOOR POSITIONER WITH STOPPER		X		LEFT HINGED
110	0CK160	541401R00	PROTEZIONE CAVETTI LED	LED WIRING PROTECTION		X		
111	0CK143	835403C00	MECCANISMO CHIUSURA PORTA	CLOSING MECHANISM	X			
112	0CK297	548401U02	MANIGLIA PORTA	DOOR HANDLE	X			ELECTROLUX
113	0CK205	549400W01	VASCHETTA GN 1/1	FRONT DRIP TRAY GN 1/1		X		GN 1/1
113	0CK204	549400X01	VASCHETTA GN 2/1	FRONT DRIP TRAY GN 2/1		X		GN 2/1
114	0CK239	879402801	ASSIEME VETRO INTERNO 6 1/1	INNER GLASS ASSEMBLY 6 1/1	X	X		6 GN 1/1
114	0CK081	879402901	ASSIEME VETRO INTERNO 10 1/1	INNER GLASS ASSEMBLY 10 1/1	X	X		10 GN 1/1
114	0CK238	879402A01	ASSIEME VETRO INTERNO 6 2/1	INNER GLASS ASSEMBLY 6 2/1	X	X		6 GN 2/1
114	0CK240	879402B01	ASSIEME VETRO INTERNO 10 2/1	INNER GLASS ASSEMBLY 10 2/1	X	X		10 GN 2/1
115	0CK222	543401V01	GUARNIZIONE CELLA-PORTA 6 1/1	DOOR GASKET 6 1/1	X	X		6 GN 1/1
115	0CK120	543401X01	GUARNIZIONE CELLA-PORTA 10 1/1	DOOR GASKET 10 1/1	X	X		10 GN 1/1
115	0CK121	543401W01	GUARNIZIONE CELLA-PORTA 6 2/1	DOOR GASKET 6 2/1	X	X		6 GN 2/1
115	0CK223	543401Y01	GUARNIZIONE CELLA-PORTA 10 2/1	DOOR GASKET 10 2/1	X	X		10 GN 2/1
116	0CK171	83040BW02	SPILLONE MULTIPOINT 10 1/1 – 10 2/1	FOOD PROBE MULTIPOINT 10 1/1 – 10 2/1		X		10 grids
116	0CK172	83040CX01	SPILLONE MULTIPOINT 6 1/1 – 6 2/1	FOOD PROBE MULTIPOINT 6 1/1 – 6 2/1		X		6 grids
116	0CK173	83040BV01	SPILLONE SINGLE POINT 10 1/1 – 10 2/1	FOOD PROBE SINGLE POINT 10 1/1 – 10 2/1		X		10 grids
116	0CK174	83040CY01	SPILLONE SINGLE POINT 6 1/1 – 6 2/1	FOOD PROBE SINGLE POINT 6 1/1 – 6 2/1		X		6 grids
117	0CK176	503407300	SUPPORTO FILTRO	FILTER SUPPORT				
118	0CK226	549400U02	FILTRO ARIA	AIR FILTER		X		
119	0CK154	875403K00	PIEDE DI SERVIZIO INOX	SERVICE FOOT INOX				
120	0CK076	870401W03	ASSIEME PORTATEGLIE 6 1/1	TRAY RACK 6 1/1				6 GN 1/1
120	0CK241	870401Y03	ASSIEME PORTATEGLIE 10 1/1	TRAY RACK 10 1/1				10 GN 1/1
120	0CK078	870401X03	ASSIEME PORTATEGLIE 6 2/1	TRAY RACK 6 2/1				6 GN 2/1

**SKYLINE**

Pos	Spare part Code	Factory Code	Descrizione	Description	V	W & T	S	Ref./Note
120	0CK077	870401203	ASSIEME PORTATEGLIE 10 2/1	TRAY RACK 10 2/1				10 GN 2/1
121	0CK331	548402700	COPERCHIETTO MANIGLIA ELUX	ELUX HANDLE COVER		X		ELECTROLUX
122	0CK220	500406801	MOLLETTA FERMATEGLIE	SPRING STOPPER		X		
123	0CK114	543402500	GUARNIZIONE ASPIRAZIONE ARIA	AIR INLET GASKET		X		
124	OCA756	516896402	DADO NASELLO	DOOR LATCH NUT		X		
125	0CK195	549401800	VALVOLA SCARICO VASCHETTA	CHECK VALVE		X		
126	0CK318	505406L02	FERMA TEGLIE POSTERIORE	TRAY STOPPER		X		6 grids
126	0CK101	505406N01	FERMA TEGLIE POSTERIORE	TRAY STOPPER		X		10 grids
127	0E1331	206004105	ROSETTA	WASHER		X		
128	0C3973	214014255	VITE M6X25	SCREW M6X25		X		
129	0CK082	805407P01	BARRA LED	LED BAR		X		
130	0CK335	878407201	PARETE DI ASPIRAZIONE 6 1/1	SUCTION WALL 6 1/1				6 1/1
130	*	878407900	PARETE DI ASPIRAZIONE 6 1/1	SUCTION WALL 6 1/1				6 1/1 BAKERY
130	0CK320	878403504	PARETE DI ASPIRAZIONE 10 1/1	SUCTION WALL 10 1/1				10 1/1
130	*	878407B00	PARETE DI ASPIRAZIONE 10 1/1	SUCTION WALL 10 1/1				10 1/1 BAKEY
130	0CK153	878403703	PARETE DI ASPIRAZIONE 6 2/1	SUCTION WALL 6 2/1				6 2/1
130	0CK338	878407800	PARETE DI ASPIRAZIONE 10 2/1	SUCTION WALL 10 2/1				10 2/1
131	0CK323	04P0187700	BOCCOLA IGUS 'IGLIDUR MCM-12-02'	BUSH IGUS 'IGLIDUR MCM-12-02'		X		
132	0CK347	0503404K03	FIANCO DESTRO	RIGHT SIDE PANEL				6 1/1
132	0CK348	0504408303	FIANCO DESTRO	RIGHT SIDE PANEL				6 2/1
132	0CK349	0503404L03	FIANCO DESTRO	RIGHT SIDE PANEL				10 1/1
132	0CK350	0503405503	FIANCO DESTRO	RIGHT SIDE PANEL				10 2/1
133	0CK339	0855402N06	ASS. PORTA DESTRA 2 VETRI 10/1	RIGHT DOOR ASSY 2 GLASSES 10/1				q s t v
133	0CK340	0855402P06	ASS. PORTA DESTRA 2 VETRI 6/1	RIGHT DOOR ASSY 2 GLASSES 6/1				a d e f h
133	0CK341	0855402Q04	ASS. PORTA DESTRA 2 VETRI 10/2	RIGHT DOOR ASSY 2 GLASSES 10/2				w y z b1
133	0CK342	0855402R04	ASS. PORTA DESTRA 2 VETRI 6/2	RIGHT DOOR ASSY 2 GLASSES 6/2				i j l m n p
133	0CK343	0855409L01	ASS. PORTA DESTRA 3 VETRI 10/1	RIGHT DOOR ASSY 3 GLASSES 10/1				r u
133	0CK344	0855409M01	ASS. PORTA DESTRA 3 VETRI 6/1	RIGHT DOOR ASSY 3 GLASSES 6/1				c g
133	0CK345	0855409P01	ASS. PORTA DESTRA 3 VETRI 6/2	RIGHT DOOR ASSY 3 GLASSES 6/2				k o
133	0CK346	0855409Q01	ASS. PORTA DESTRA 3 VETRI 10/2	RIGHT DOOR ASSY 3 GLASSES 10/2				x a1
133	*	0855409T00	ASS. PORTA SINISTRA 2 VETRI 6/1	LEFT DOOR ASSY 2 GLASSES 6/1				e
133	*	0855409U00	ASS. PORTA SINISTRA 3 VETRI 6/1	LEFT DOOR ASSY 3 GLASSES 6/1				g
133	*	0855409V00	ASS. PORTA SINISTRA 2 VETRI 6/2	LEFT DOOR ASSY 2 GLASSES 6/2				m
133	*	0855409W00	ASS. PORTA SINISTRA 3 VETRI 6/2	LEFT DOOR ASSY 3 GLASSES 6/2				o
133	*	0855409X00	ASS. PORTA SINISTRA 2 VETRI 10/2	LEFT DOOR ASSY 2 GLASSES 10/2				z
133	*	0855409Y00	ASS. PORTA SINISTRA 3 VETRI 10/2	LEFT DOOR ASSY 3 GLASSES 10/2				a1
133	*	0855409Z00	ASS. PORTA SINISTRA 2 VETRI 10/1	LEFT DOOR ASSY 2 GLASSES 10/1				t
133	*	085540A000	ASS. PORTA SINISTRA 3 VETRI 10/1	LEFT DOOR ASSY 3 GLASSES 10/1				u
134	0CK356	0855408600	ASS. VETRO INTERMEDIO PORTA	DOOR MIDDLE GLASS ASS.Y				6 1/1
134	0CK357	0855408700	ASS. VETRO INTERMEDIO PORTA	DOOR MIDDLE GLASS ASS.Y				10 1/1
134	0CK358	0855409800	ASS. VETRO INTERMEDIO PORTA	DOOR MIDDLE GLASS ASS.Y				6 2/1
134	0CK359	0855409900	ASS. VETRO INTERMEDIO PORTA	DOOR MIDDLE GLASS ASS.Y				10 2/1
135	0CK351	0543403D00	ASS. GUARNIZIONE VETRO INTERMEDIO	MIDDLE GLASS GASKET ASS.Y				6 1/1
135	0CK352	0543403F00	ASS. GUARNIZIONE VETRO INTERMEDIO	MIDDLE GLASS GASKET ASS.Y				10 1/1

**SKYLINE**

Pos	Spare part Code	Factory Code	Descrizione	Description	V	W & T	S	Ref./Note
135	0CK353	0543403G00	ASS. GUARNIZIONE VETRO INTERMEDIO	MIDDLE GLASS GASKET ASS.Y				6 2/1
135	0CK355	0543403H00	ASS. GUARNIZIONE VETRO INTERMEDIO	MIDDLE GLASS GASKET ASS.Y				10 2/1

**SKYLINE**

Pos	Spare part Code	Factory Code	Descrizione	Description	V	W & T	S	Ref./Note
200	0CK161	541401D00	PROTEZIONE SCHEDA USER	USER INTERFACE COVER				
201	0CK037	638404D00	CAVO PROLUNGA USB	USB PROLONG		X		
202	0CK041	546400V01	SPORTELLINO USB	USB WINDOW		X		
203	0CK040	543401N01	CRUSCOTTO PLASTICA TOUCH	PLASTIC FRAME TOUCH				TOUCH
204	0CK144	541401F02	MEMBRANA TOUCH ELECTROLUX CON BOILER	ELECTROLUX TOUCH MEMBRANE WITH BOILER		X		TOUCH
204	0CK298	541402501	MEMBRANA TOUCH ELECTROLUX SENZA BOILER	ELECTROLUX TOUCH MEMBRANE WITHOUT BOILER		X		TOUCH
204	095935	755R16101	MEMBRANA TOUCH ZANUSSI CON BOILER / SENZA BOILER	ZANUSSI TOUCH MEMBRANE WITH BOILER / WITHOUT BOILER		X		TOUCH
204	0CK332	541401V01	MEMBRANA TOUCH TO BRAND	TO BRAND TOUCH MEMBRANE		X		TOUCH
204	*	541402S00	MEMBRANA TOUCH DIAMOND	DIAMOND TOUCH MEMBRANE		X		TOUCH
205	0CK070	675401U02	ACU -SCHEDA POWER	ACU-POWER BOARD	X			
206	0CK034	673400900	DISPLAY 7"	DISPLAY 7"	X			TOUCH
207	0CK033	675401G00	SCHEDA ON/OFF	ON/OFF BOARD	X	X		
208	0CK036	675401J01	SCHEDA BRIDGE	BRIDGE BOARD	X			TOUCH
209	0CK039	655400000	ALTOPARLANTE	SPEAKER		X		TOUCH
210	0CK145	640400300	MICRO INTERRUTTORE	MICRO SWITCH		X		
211	0CK199	682400G00	VENTILATORE RAFFREDDAMENTO	COOLING FAN		X		
212	0CK184	646400H00	TERMOSTATO SICUREZZA CELLA	CAVITY SAFETY THERMOSTAT	X			
213	0CK183	646400G00	TERMOSTATO SICUREZZA BOILER	BOILER SAFETY THERMOSTAT	X			
214	0CK167	675401S00	SMPS ALIM. SWITCHING 24V	SWITCHING FEEDER 24V	X			
215	0CK166	675402Z00	SMPS ALIM. SWITCHING 12V	SWITCHING FEEDER 12V	X			
216	0CK030	546400U01	SUPPORTO USB	USB CAGE				
217	0CK225	694400L00	FILTRO TOROIDALE	TOROIDAL FILTER				
218	0CK168	657400200	SONDA LAMBDA	LAMBDA PROBE		X		
219	0CK005	648400V00	RELE' STATO SOLIDO 90A	SOLID STATE RELAY 90A	X			
220	0CK208	646400C01	SONDA NTC DISSIPATORE CELLA	NTC PROBE HEAT SINK-CAVITY	X	X		
222	0C3732	167098088	PASTIGLIA TERMICA	THERMAL PAD		X		
223	0CK035	675401H00	SCHEDA CORE	CORE BOARD	X			TOUCH
224	0CK107	694400N00	FILTRO TRIFASE	3-PHASE FILTER		X		
225	0CK130	675401T02	INVERTER	INVERTER	X			
226	0CK105	694400X00	FILTRO EMC 10A	EMC FILTER 10A		X		
227	088267	648722900	RELE'	RELAY	X	X		
228	0CK209	646400D01	SONDA NTC DISSIPATORE BOILER	NTC PROBE HEAT SINK-BOILER	X	X		
229	0L3360	63962B400	PORTA FUSIBILI (PEZZO SINGOLO)	FUSE HOLDER (SINGLE PIECE)	X	X		
230	0CK218	638404L00	MORSETTO PHOENIX PT6(PEZZO SINGOLO)	PHOENIX CLAMP PT6 (SINGLE PIECE)	X	X		6/1 all 10/1 400-380-415-460-480 VOLT
230	0CK249	638404M00	MORSETTO PHOENIX PT16(PEZZO SINGOLO)	PHOENIX CLAMP PT16 (SINGLE PIECE)	X	X		6/2 10/2 all 10/1 200-208-220-230-240 VOLT
231	0CK231	648400W00	CONTATTORE K318-ND	CONTACTOR K318-ND	X	X		6/1 10/1 400-460-480 VOLT
231	0CK290	648400X00	CONTATTORE K3 32 A00	CONTACTOR K3 32 A00	X	X		6/1 200-208-230 VOLT 6/2 400-460-480 VOLT

**SKYLINE**

Pos	Spare part Code	Factory Code	Descrizione	Description	V	W & T	S	Ref./Note
231	0CK291	648400Y00	CONTATTORE K3 40 A00	CONTACTOR K3 40 A00	X	X		6/2 10/1 10/2 200-208- 230 VOLT 10/2 400 VOLT
232	0CK219	639401501	MORSETTIERA 10mm2	MAIN TERMINAL BLOCK 10mm2				6/1 10/1 400 VOLT
232	0CK305	639401401	MORSETTIERA 16 mm2	MAIN TERMINAL BLOCK 16mm2				6/2 400 VOLT
232	0CK306	639401801	MORSETTIERA 35 mm2	MAIN TERMINAL BLOCK 35mm2				10/2 400 VOLT
233	0CK080	830409103	ASSIEME USER TOUCH	USER INTERFACE ASSEMBLY TOUCH	X			TOUCH
234	0CK079	830409603	ASSIEME USER DIGIT	USER INTERFACE ASSEMBLY DIGIT	X			DIGIT
235	0C5239	652806000	FUSIBILE 5X20 4A ST520240	FUSE 5X20 4A ST520240	X	X		
235	0C1480	652803300	FUSIBILE 5X20 6,3A T	FUSE 5X20 6,3A T	X	X		
236	0CK032	514405001	MOLLA SPORTELLINO	SPRING		X		
237	0CK038	638404F02	CAVETTO RECOVERY	RECOVERY CABLE		X		
238	0CK292	541401G02	MEMBRANA DIGIT ELECTROLUX CON BOILER	ELECTROLUX DIGIT MEMBRANE WITH BOILER		X		DIGIT
238	0CK301	541402601	MEMBRANA DIGIT ELECTROLUX SENZA BOILER	ELECTROLUX DIGIT MEMBRANE WITHOUT BOILER		X		DIGIT
238	*	541402W00	MEMBRANA DIGIT ZANUSSI CON BOILER	ZANUSSI DIGIT MEMBRANE WITH BOILER		X		DIGIT
238	*	541402V00	MEMBRANA DIGIT ZANUSSI SENZA BOILER	ZANUSSI DIGIT MEMBRANE WITHOUT BOILER		X		DIGIT
238	0CK333	541401X01	MEMBRANA DIGIT TO BRAND CON BOILER	TO BRAND DIGIT MEMBRANE WITH BOILER		X		DIGIT
238	0CK334	541402A01	MEMBRANA DIGIT TO BRAND SENZA BOILER	TO BRAND DIGIT MEMBRANE WITHOUT BOILER		X		DIGIT
238	*	541402U00	MEMBRANA DIGIT DIAMOND CON BOILER	DIAMOND DIGIT MEMBRANE WITH BOILER		X		DIGIT
238	*	541402T00	MEMBRANA DIGIT DIAMOND SENZA BOILER	DIAMOND DIGIT MEMBRANE WITHOUT BOILER		X		DIGIT
239	0CK043	543401Q01	CRUSCOTTO PLASTICA DIGIT	PLASTIC FRAME TOUCH				DIGIT
240	0CK044	675401P01	SCHEDA USER DIGIT	DIGIT USER BOARD	X			DIGIT
241	0CK042	657400101	SCHEDA NIU	NIU BOARD				
242	0CK045	675401Q00	CAVETTO ON/OFF TOUCH	ON/OFF CABLE TOUCH		X		TOUCH
242	0CK329	675402K00	CAVETTO ON/OFF DIGIT	ON/OFF CABLE DIGIT		X		DIGIT
243	0CK254	646400A00	SONDA NTC	NTC PROBE	X	X		
244	0CK330	675401L00	CAVETTO CONNESSIONE SPEAKER	WIRING SPEAKER		X		TOUCH

**SKYLINE**

Pos	Spare part Code	Factory Code	Descrizione	Description	V	W & T	S	Ref./Note
300	0CK156	686400303	POMPA LAVAGGIO 220-240V 50/60HZ	CLEANING PUMP 220-240V 50/60HZ	X	X		
301	0C4202	516896000	CONTRODADO	NUT		X		
302	0C4201	543841400	GUARNIZIONE IN RAME	COPPER GASKET		X		
303	0CK285	83040HS00	ASS. ELETTROVALVOLA	SOLENOID VALVE ASSEMBLY		X		
304	0CK182	541401S01	TEGOLO RACCOGLI CONDENSA	FRONT GUTTER				
305	0CK283	83040HL00	GRUPPO ELETTROVALVOLE RM1400	SOLENOID VALVES GROUP RM1400		X		
305	0CK284	83040HM00	GRUPPO ELETTROVALVOLE RM1300	SOLENOID VALVES GROUP RM1300		X		
306	0CK113	83040A401	FLUSSIMETRO	FLOW METER		X		
307	0CK128	855405L01	INGRESSO UMIDIFICATORE 6 1/1	HUMIDIFIER INLET 6 1/1				6 GN 1/1
307	0CK126	855406700	INGRESSO UMIDIFICATORE 10 1/1	HUMIDIFIER INLET 10 1/1				10 GN 1/1
307	0CK129	855405M01	INGRESSO UMIDIFICATORE 6 2/1	HUMIDIFIER INLET 6 2/1				6 GN 2/1
307	0CK127	855406800	INGRESSO UMIDIFICATORE 10 2/1	HUMIDIFIER INLET 10 2/1				10 GN 2/1
308	0CK175	506405803	STAFFA SUPPORTO ELETTROVALVOLA	SOLENOID VALVE SUPPORT				
309	0CK228	696400L01	ELETTROVALVOLA.	SOLENOID VALVE		X		
310	0CK221	544401G03	MANICOTTO MANDATA POMPA	PUMP EXIT MANIFOLD		X		
311	0CK137	544401F03	MANICOTTO ASPIRAZIONE POMPA	PUMP INLET MANIFOLD		X		
313	0CK087	541402F00	CILINDRO PASTIGLIE	CYLINDER FOR TABS		X		
314	0CK233	855403M05	CONDUTTURE CLEANING SYSTEM 6 1/1	CLEANING SYSTEM PIPING 6 1/1				6 GN 1/1
314	0CK235	855403N05	CONDUTTURE CLEANING SYSTEM 10 1/1	CLEANING SYSTEM PIPING 10 1/1				10 GN 1/1
314	0CK232	855403P05	CONDUTTURE CLEANING SYSTEM 6 2/1	CLEANING SYSTEM PIPING 6 2/1				6 GN 2/1
314	0CK234	855403Q05	CONDUTTURE CLEANING SYSTEM 10 2/1	CLEANING SYSTEM PIPING 10 2/1				10 GN 2/1
315	0CK157	514F02U00	PORTAGOMMA	HOSE FITTING		X		
316	0CK141	544402P00	MANICOTTO SCARICO BOILER	BOILER DRAIN MANIFOLD		X		
317	0CK207	544401A01	TUBO SCARICO CONDENSA	CONDENSATE DRAIN HOSE		X		
318	0CK074	805407U01	ASS. CONDUTTURA SCARICO CONDENSA	CONDENSATE DRAIN PIPE				
319	0CK321	500404Y02	COPERTURA POSTERIORE CARTER	CARTER BACK COVER				
320	0CK236	500404D02	CARTER COPERTURA FONDO	CARTER BOTTOM COVER				
321	0CK178	546400W01	SUPPORTO PER SCORRIMENTO DOCCETTA			X		
322	0CK196	805407S03	VASCHETTA RACCOGLI CONDENSA GN 1/1	FRONT DRIP TRAY GN 1/1		X		GN 1/1
322	0CK197	805407T03	VASCHETTA RACCOGLI CONDENSA GN 2/1	FRONT DRIP TRAY GN 2/1		X		GN 2/1
323	0CB250	689400000	VALVOLA SCARICO BOILER	BOILER DRAIN VALVE	X	X		
324	0CK217	541401K02	PANNELLO FACCIATA INFERIORE			X		
325	0CK137	544401F03	MANICOTTO ASPIRAZIONE POMPA	PUMP INLET MANIFOLD		X		
326	0CK075	830409B03	ASSIEME CAMINO ABBATTITORE	STEAM EXHAUST PIPE				
327	*	541401T00	COPERTURA FRONTALE	FRONT COVER		X		
328	0CK155	514407S00	PIOLO SCARICO CONDENSA PORTA	CONDENSATE DOOR DRAIN STUD	X	X		
329	0CK193	689400700	VALVOLA MOTORIZZATA 1"	MOTORIZED BALL VALVE 1"	X	X		
330	0CK138	544401V02	MANICOTTO COLLEGAMENTO CAMINO	RUBBER MANIFOLD		X		
331	0CK097	835402V02	DOCCETTA	WATER SPRAY GUN				
332	0CK096	514405A00	DADO CIECO 1"G	NUT 1"		X		
333	0CK073	805409V01	ASS. COLLETTORE SCARICO AIRBREAK	AIRBREAK DRAIN ASSEMBLY	X	X		

**SKYLINE**

Pos	Spare part Code	Factory Code	Descrizione	Description	V	W & T	S	Ref./Note
334	0CK142	544401J03	MANICOTTO SCARICO CELLA			X		
335	0CK162	518400Y00	RONDELLA OTTONE (34X42X2.5)	BRASS WASHER (34X42X2.5)		X		
336	0CK170	83040C000	SONDA TEMP. ABBATTITORE FUMANE	STEAM QUENCHING TEMP. PROBE	X	X		
337	0CK106	502401P02	FILTRO SUPPORTO DETERGENTE	DETERGENT HOLDER FILTER				
338	0CK206	544402Z00	TUBO SILICONE	SILICON HOSE		X		
339	046855	518602801	FASCETTA	CLAMP		X		
340	0CK169	653400B00	SONDA NTC SICUREZZA	SAFETY NTC PROBE	X	X		
341	0CK304	835405Q00	FASCETTA A MOLLA CON PREFIX FBS HC 24/12	SPRING CLAMP FBS HC 24/12		X		
342	0CK191	544402Y00	TUBO SCARICO BOILER	BOILER DRAIN HOSE		X		
343	0CK139	544401Z02	MANICOTTO COLLEGAMENTO SCARICHI 1/1	DRAIN CONNECTOR 1/1		X		GN 1/1
343	0CK140	544403100	MANICOTTO COLLEGAMENTO SCARICHI 2/1	DRAIN CONNECTOR 2/1		X		GN 2/1
344	0C5829	544819400	TUBO EPDM BLU	EPDM BLUE HOSE		X		
345	0CK192	544401Y00	TUBO SILICONE RETINATO	SILICONE HOSE REINFORCED		X		
346	0CK190	544402000	TUBO NBR TELATO	NBR HOSE BLACK		X		
347	0CK083	514404Y01	BICONO TENUTA TERMOCOPIA	THERMOCOUPLE BICONICAL SEALING		X		
348	047578	518604001	FASCETTA TORRO SW1 25-40/9 IVP	CLAMP SW1 25-40/9 IVP		X		
349	0L3736	640613Q00	SENSORE REED CASSETTO PASTIGLIE	TABS DRAWER REED SENSOR				
350	0CK099	518401200	FASCETTA A MOLLA	SPRING CLAMP		X		
351	0CK007	654400300	SENSORE REED PORTA	DOOR REED SENSOR				
352	0CK177	514406W01	SUPPORTO PASTIGLIE	TABS HOLDER				
353	0CK246	514406V00	MOLLA TAPPO	CUP SPRING		X		
354	0CK125	543402S01	GUARNIZIONE TAPPO	CUP GASKET		X		
355	0CK180	541402M00	TAPPO MOBILE	MOVABLE CUP		X		
356	0CK179	541402D00	TAPPO FISSO	FIX CUP		X		
357	0CK322	80540DK00	ASSIEME TAPPO SERBATOIO CHIMICA	CUP TANK ASSEMBLY		X		
358	0PE481	511T00300	MANOPOLA ZIGRINATA	KNURLED SCREW		X		
360	0CK100	835405P00	FASCETTA A MOLLA FBS HC 38/12	SPRING CLAMP FBS HC 38/12		X		
361	0S1279	0P.P313.00.00	SEGER PER MINIREEL (PER FORO d. 28)			X		
362	*	0R.F195	TUBO FLESSIBILE GOMMA EPDM d.10x17mm			X		
363	*	0P.P463X5	O-RING 2081			X		
364	*	0R.F193	TUBO FLESSIBILE GOMMA EPDM d.6x12mm			X		
365	*	0R.P470	MOLLA SAGOMATA			X		
366	0L0673	0P.P243.00.00	TESTA DOCCIA			X		

**SKYLINE**

Pos	Spare part Code	Factory Code	Descrizione	Description	V	W & T	S	Ref./Note
400	0CK272	83040C401	BOILER 6 1/1	BOILER 6 1/1	X			6 GN 1/1
400	0CK271	83040C301	BOILER 10 1/1	BOILER 10 1/1	X			10 GN 1/1
400	0CK307	83040C501	BOILER 6 2/1	BOILER 6 2/1	X			6 GN 2/1
400	0CK308	83040C601	BOILER 10 2/1	BOILER 10 2/1	X			10 GN 2/1
401	0C7033	830890501	SONDA LIVELLO ACQUA	WATER LEVEL SENSOR	X	X		
402	0CK147	514406Q00	MOLLA	SPRING		X		
403	0C5834	543844800	GUARNIZIONE RESISTENZA BOILER	BOILER HEATING ELEMENT GASKET	X	X		
404	0CK214	617402801	RESIST. BOILER 415V 9688W	BOILER HEATING ELEM. 415V 9688W	X			GN 1/1
404	0CK215	617402D01	RESIST. BOILER 415V 19375W	BOILER HEATING ELEM. 415V 19375W	X			380-415V GN 2/1
404	0CK023	617402700	RESIST. BOILER 240V 9688W	BOILER HEATING ELEM. 240V 9688W	X			380-415V GN 1/1
404	0CK024	617402C00	RESIST. BOILER 240V 19375W	BOILER HEATING ELEM. 240V 19375W	X			220-240V GN 2/1 220-240V
405	0CK188	515404902	TUBO INGRESSO ARIA	AIR INLET PIPE				
407	0CK006	805409301	ASSIEME VALVOLA ARIA	AIR INLET VALVE	X	X		
408	0CK072	569400Q00	ANELLO TENUTA IN GRAFITE	GRAPHITIC RING		X		
409	0CK181	50440AT00	TEGOLO PARAGOCCE	DRIP PROTECTION				
410	0CK200	504409J00	VENTOLA GN 1/1	FAN GN1/1				GN 1/1
410	0CK201	504409K00	VENTOLA GN 2/1	FAN GN 2/1				GN 2/1
411	0CK211	617401N02	RESISTENZA CELLA 400V 6 1/1	CAVITY HEATING ELEM. 400V 6 1/1	X			6 GN 1/1
411	0CK213	617401Y02	RESISTENZA CELLA 400V 10 1/1	CAVITY HEATING ELEM. 400V 10 1/1	X			400V 10 GN 1/1 400V
411	0CK210	617401T02	RESISTENZA CELLA 400V 6 2/1	CAVITY HEATING ELEM. 400V 6 2/1	X			6 GN 2/1 400V
411	0CK212	617402302	RESISTENZA CELLA 400V 10 2/1	CAVITY HEATING ELEM. 400V 10 2/1	X			10 GN 2/1 400V
411	0CK019	617401M01	RESISTENZA CELLA 240V 6 1/1	CAVITY HEATING ELEM. 240V 6 1/1	X			6 GN 1/1 240V
411	0CK021	617401X01	RESISTENZA CELLA 240V 10 1/1	CAVITY HEATING ELEM. 240V 10 1/1	X			10 GN 1/1 240V
411	0CK020	617401S01	RESISTENZA CELLA 240V 6 2/1	CAVITY HEATING ELEM. 240V 6 2/1	X			6 GN 2/1 240V
411	0CK022	617402201	RESISTENZA CELLA 240V 10 2/1	CAVITY HEATING ELEM. 240V 10 2/1	X			10 GN 2/1 240V
412	0CK216	514404Z02	PERNO SUPPORTO MOTORE	MOTOR PIN SUPPORT				
413	0CK149	611400900	MOTORE 450W	MOTOR 450W	X			GN 1/1
413	0CK150	611400C00	MOTORE 750W	MOTOR 750W	X			GN 2/1
414	0CK108	514404W01	FLANGIA	FLANGE				
415	0CK189	544401B00	TUBO INGRESSO VAPORE	STEAM INLET HOSE	X	X		
416	0CK309	217016205	VITE TENUTA VENTOLA	FAN SCREW		X		
417	0CK310	206300900	RONDELLA	WASHER		X		
418	0CK311	560401701	ISOLANTE BOILER 6 1/1	BOILER INSULATION 6 1/1		X		6 GN 1/1
418	0CK312	560401A01	ISOLANTE BOILER 10 1/1	BOILER INSULATION 10 1/1		X		10 GN 1/1
418	0CK313	560401801	ISOLANTE BOILER 6 2/1	BOILER INSULATION 6 2/1		X		6 GN 2/1
418	0CK314	560401901	ISOLANTE BOILER 10 2/1	BOILER INSULATION 10 2/1		X		10 GN 2/1
419	006451	147018082	NASTRO ADESIVO ALLUMINATO	ALLUMINIUM ADHESIVE TAPE		X		
420	0CK117	569400Z00	GUARNIZIONE 6 1/1	GASKET 6 1/1	X	X		6 1/1
420	0CK118	569401000	GUARNIZIONE 6 2/1-10 1/1-10 2/1	GASKET 6 2/1-10 1/1-10 2/1	X	X		6 2/1 – 10 grids

From Ser. Nr...  
Up to Ser. Nr...

Ed. 1.0 05.2019

Page:14

Doc No: 595403H00



Electrolux Professional S.p.A.  
Viale Treviso, 15  
33170 Pordenone, ITALY  
[www.electrolux.com/professional](http://www.electrolux.com/professional)