

SKYLINE ELECTRIC OVEN FORNO ELETTRICO SKYLINE

| Type Reference | Ref | Page | Description | note |
|----------------|-----|------|---|------|
| COE61C20 | a | | 6 grids GN 1/1 - touch convect - double glass - Standard | |
| COE61C2K | b | | 6 grids GN 1/1 - touch convect - double glass - Smoker/Aromatizer | |
| COE61C30 | c | | 6 grids GN 1/1 - touch convect - triple glass - Standard | |
| COE61D20 | d | | 6 grids GN 1/1 - digital steam - double glass - Standard | |
| COE61T20 | e | | 6 grids GN 1/1 - touch steam - double glass - Standard | |
| COE61T2K | f | | 6 grids GN 1/1 - touch steam - double glass - Smoker/Aromatizer | |
| COE61T30 | g | | 6 grids GN 1/1 - touch steam - triple glass - Standard | |
| COE61V20 | h | | 6 grids GN 1/1 - digital convect - double glass - Standard | |
| COE62C20 | i | | 6 grids GN 2/1 - touch convect - double glass - Standard | |
| COE62C2K | j | | 6 grids GN 2/1 - touch convect - double glass - Smoker/Aromatizer | |
| COE62C30 | k | | 6 grids GN 2/1 - touch convect - triple glass - Standard | |
| COE62D20 | l | | 6 grids GN 2/1 - digital steam - double glass - Standard | |
| COE62T20 | m | | 6 grids GN 2/1 - touch steam - double glass - Standard | |
| COE62T2K | n | | 6 grids GN 2/1 - touch steam - double glass - Smoker/Aromatizer | |
| COE62T30 | o | | 6 grids GN 2/1 - touch steam - triple glass - Standard | |
| COE62V20 | p | | 6 grids GN 2/1 - digital convect - double glass - Standard | |
| COE11C20 | q | | 10 grids GN 1/1 - touch convect - double glass - Standard | |
| COE11C30 | r | | 10 grids GN 1/1 - touch convect - triple glass - Standard | |
| COE11D20 | s | | 10 grids GN 1/1 - digital steam - double glass - Standard | |
| COE11T20 | t | | 10 grids GN 1/1 - touch steam - double glass - Standard | |
| COE11T30 | u | | 10 grids GN 1/1 - touch steam - triple glass - Standard | |
| COE11V20 | v | | 10 grids GN 1/1 - digital convect - double glass - Standard | |
| COE12C20 | w | | 10 grids GN 2/1 - touch convect - double glass - Standard | |
| COE12C30 | x | | 10 grids GN 2/1 - touch convect - triple glass - Standard | |
| COE12D20 | y | | 10 grids GN 2/1 - digital steam - double glass - Standard | |
| COE12T20 | z | | 10 grids GN 2/1 - touch steam - double glass - Standard | |
| COE12T30 | a1 | | 10 grids GN 2/1 - touch steam - triple glass - Standard | |
| COE12V20 | b1 | | 10 grids GN 2/1 - digital convect - double glass - Standard | |

Index

Description Type Reference/Descrizione Type Reference
Oven cabinet and door/Cella forno e porta
Electrical components/Componenti elettrici
Water system/Impianto idraulico
Boiler
Spare parts list / Lista ricambi
Maintenance kit / Kit di manutenzione

Page

2
3
4
5
6
7-17
18-21

Bold=last change / Grassetto =ultima modifica

V = Vital spare part/Ricambio vitale
W&T = Wear&Tear and Consumable/
Ricambio usurabile e consumabile
S = Suggested/Ricambio suggerito

Rev. 5

| | | | |
|---------------------------------------|--------------------------------|---------|-------------------------|
| From Ser. Nr.... Up to Ser. Nr.... | Ed. 2019-03 Updated 2020-10 | Page: 1 | Doc No:595403H00 |
|---------------------------------------|--------------------------------|---------|-------------------------|

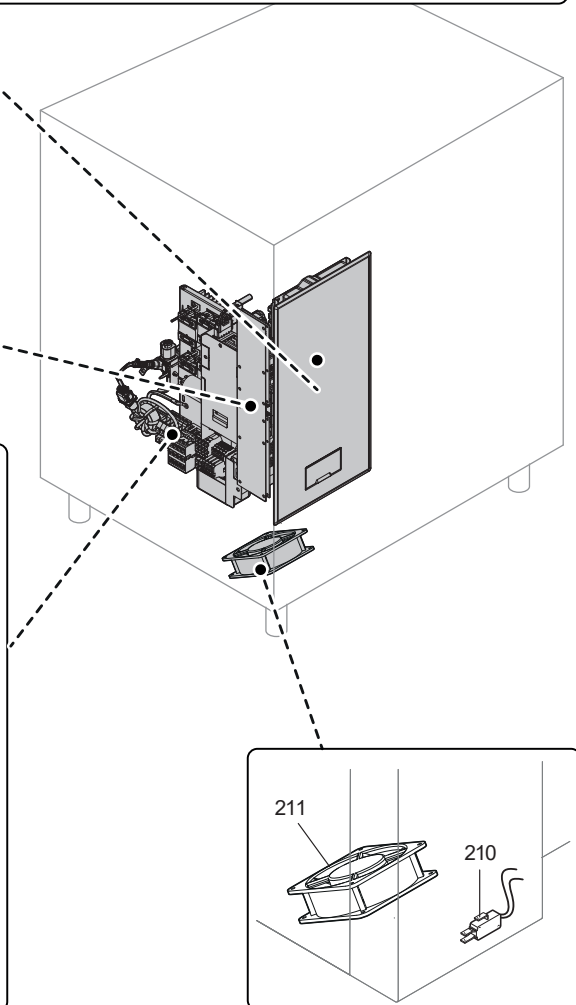
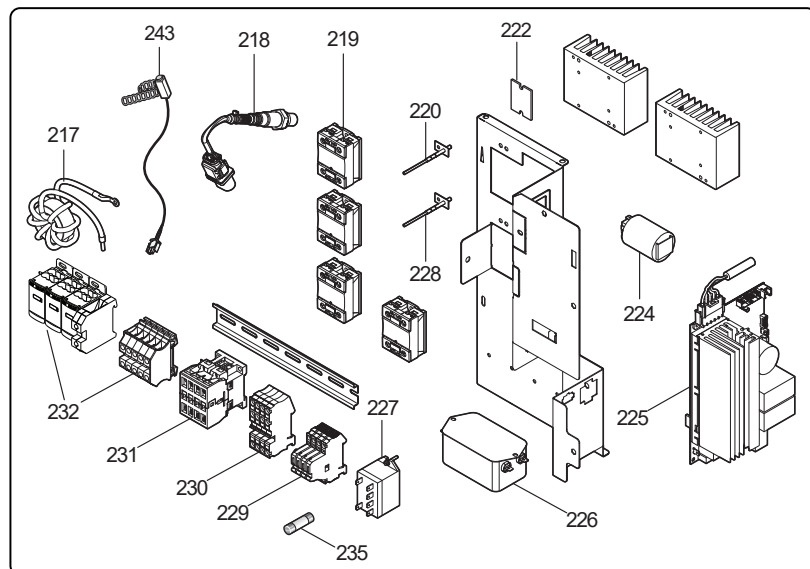
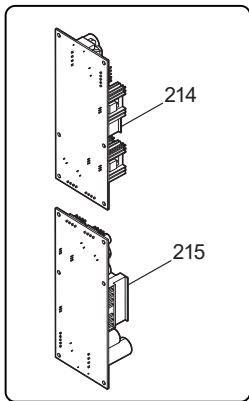
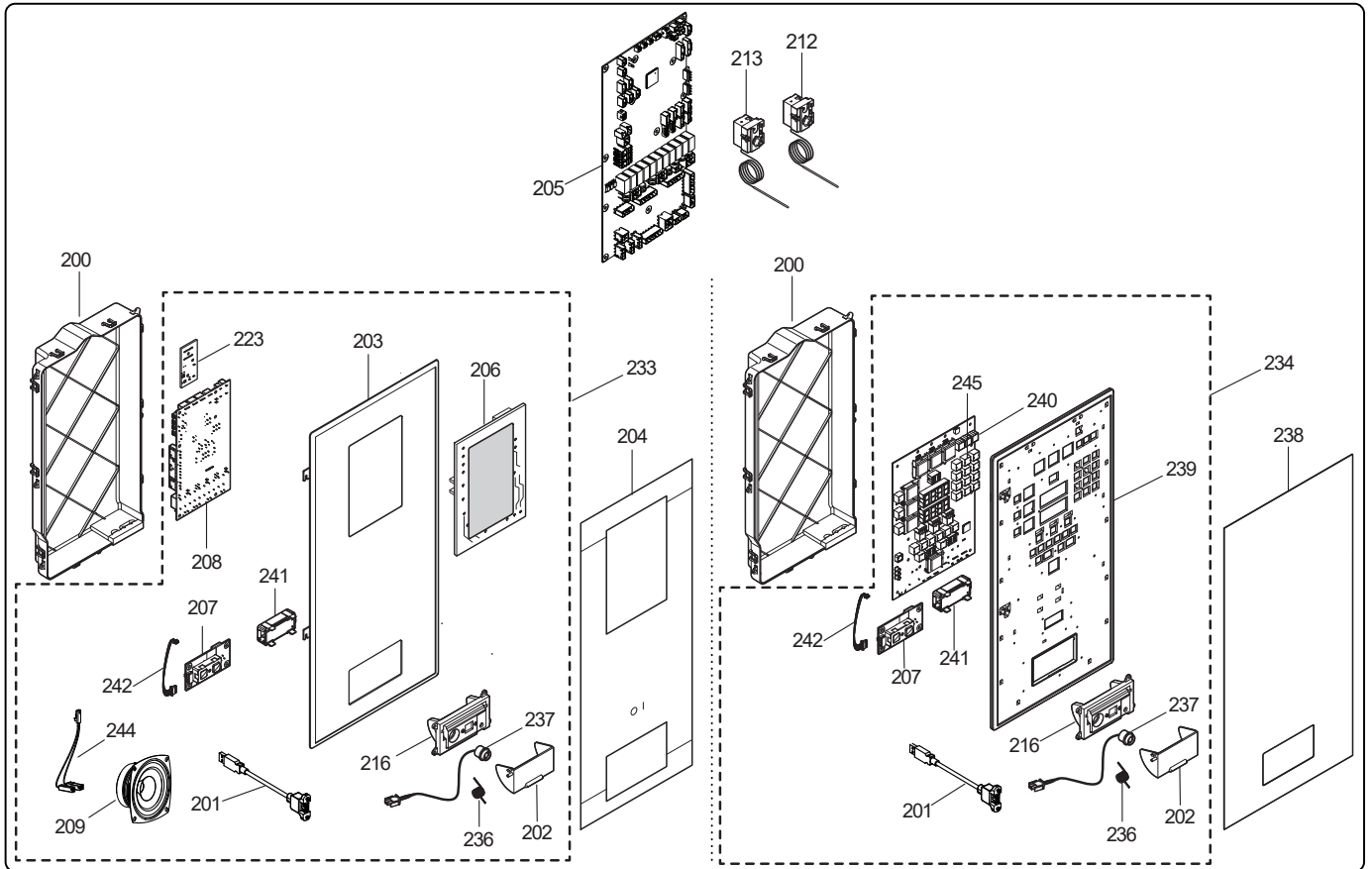
COE * * *

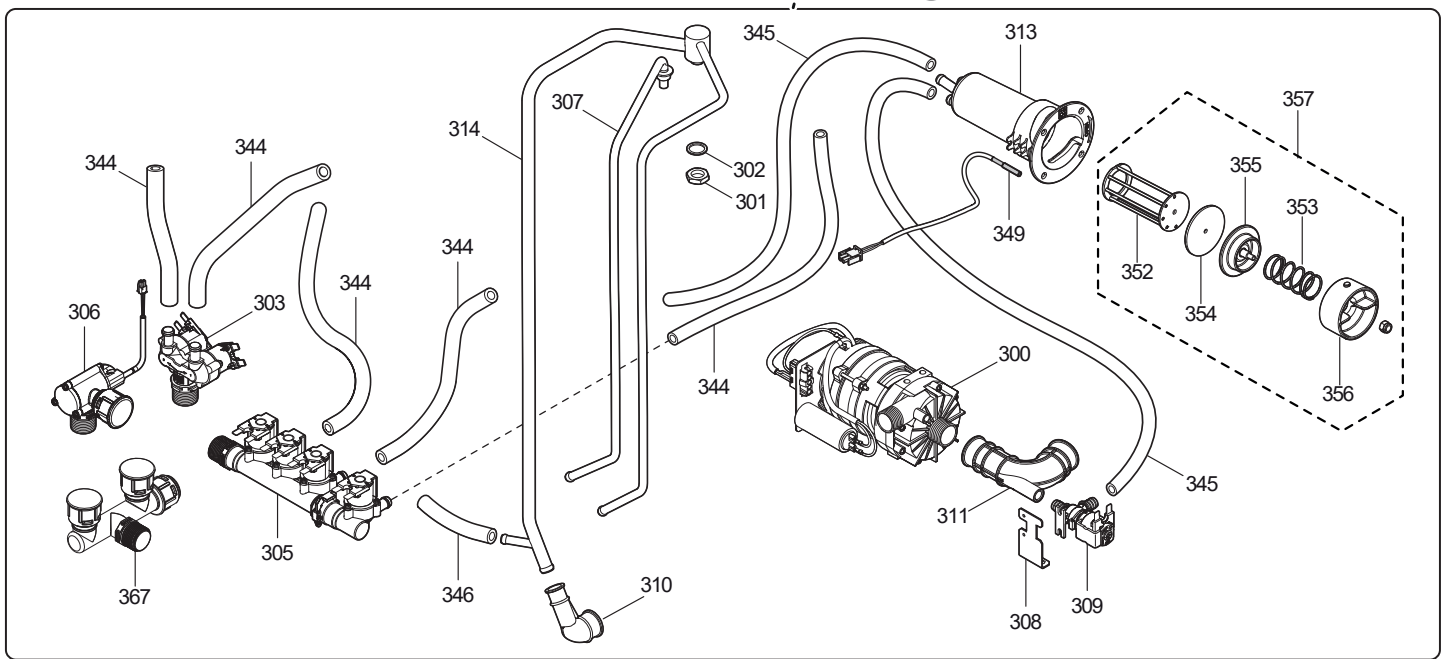
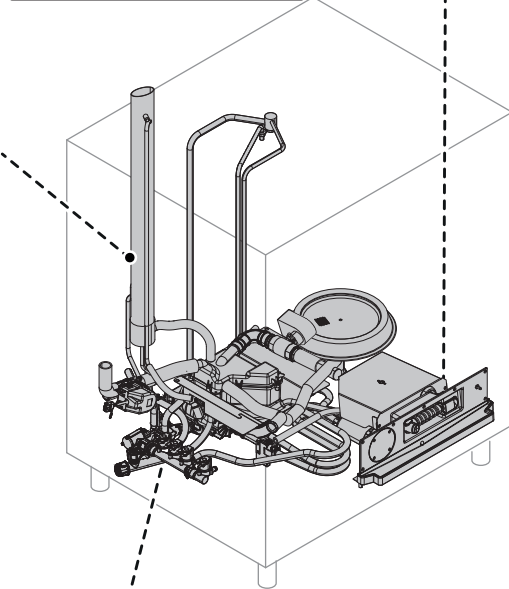
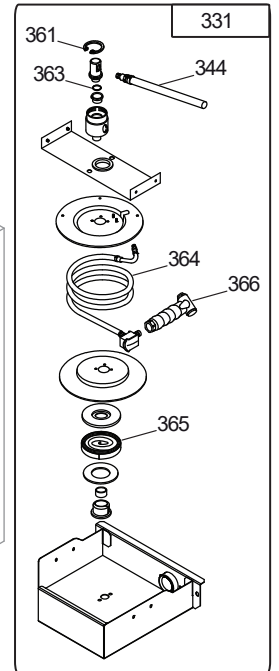
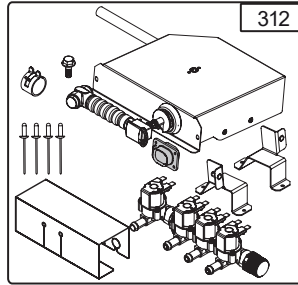
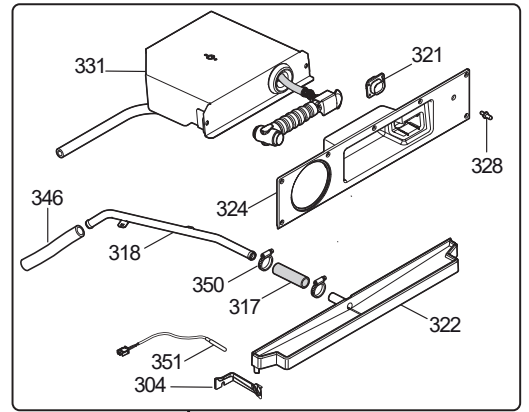
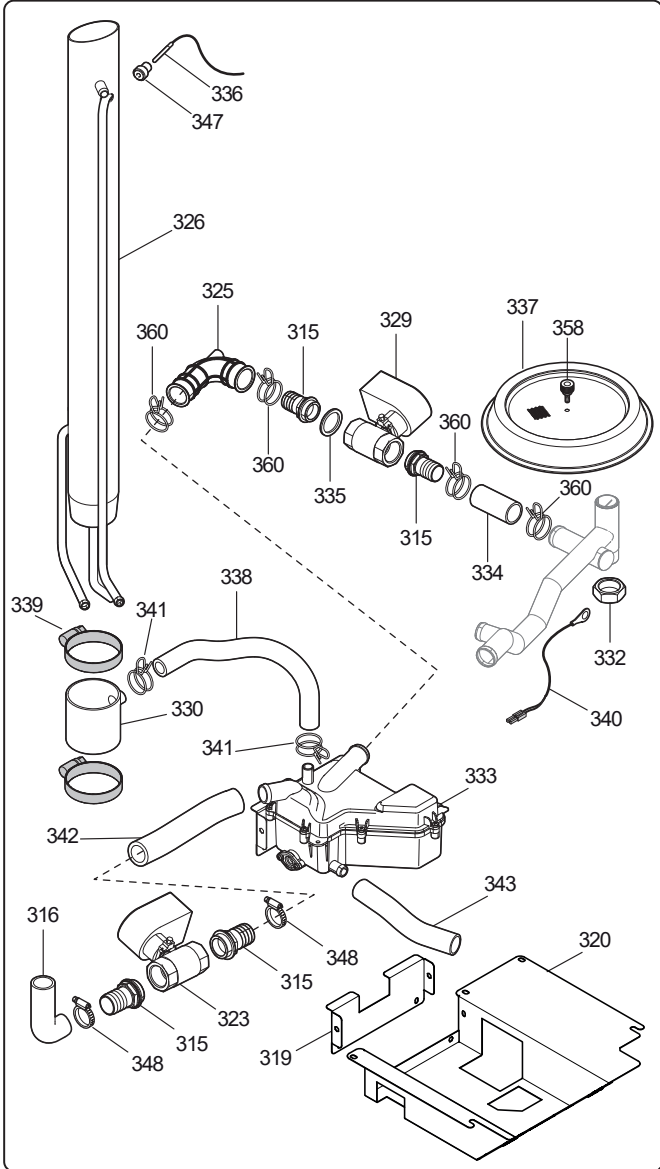
K = Smoker/Aromatizer
0 = Standard

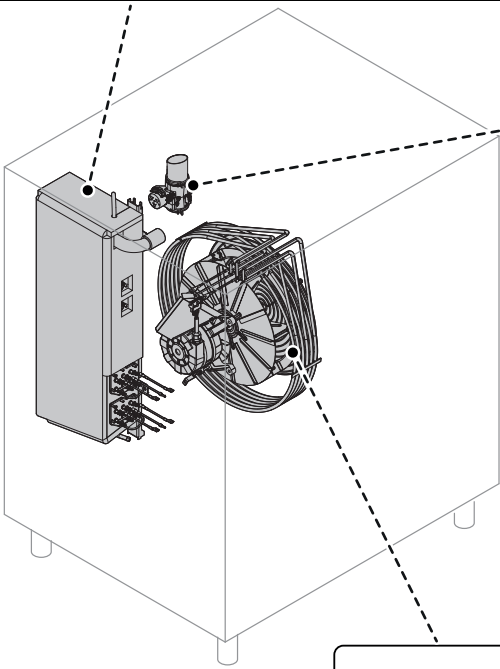
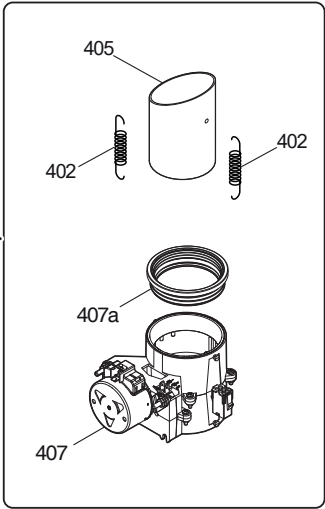
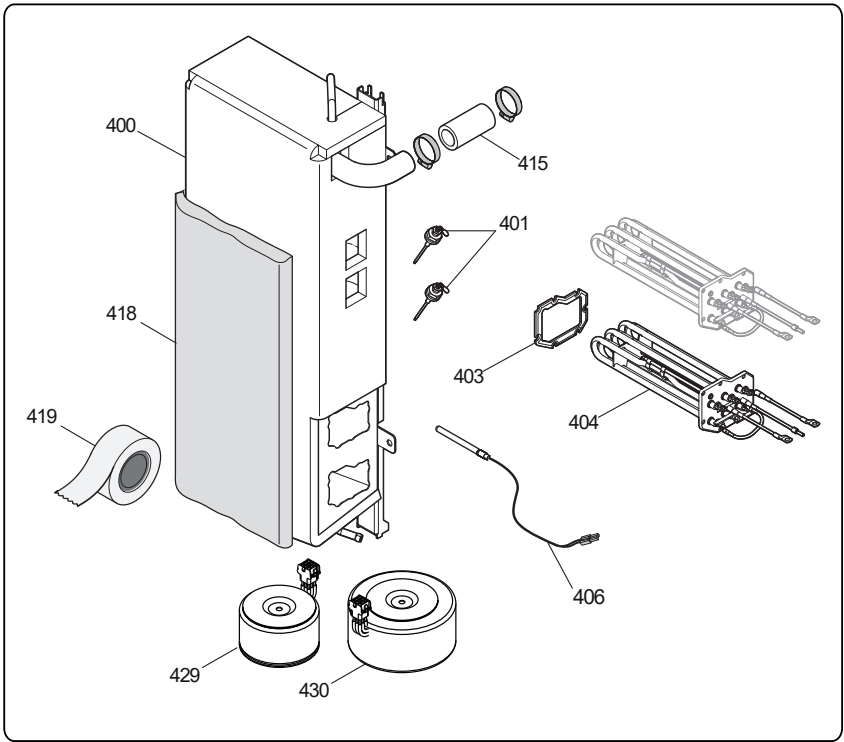
T2 = touch steam - double glass
T3 = touch steam - triple glass
C2 = touch convect – double glass
C3 = touch convect – triple glass
D2 = digital steam – double glass
D3 = digital steam – triple glass
V2 = digital convect – double glass
V3 = digital convect – triple glass

61 = 6 grids GN1/1
62 = 6 grids GN2/1
11 = 10 grids GN1/1
12 = 10 grids GN2/1
21 = 20 grids GN1/1
22 = 20 grids G21/1

COE = Combi Oven Electric







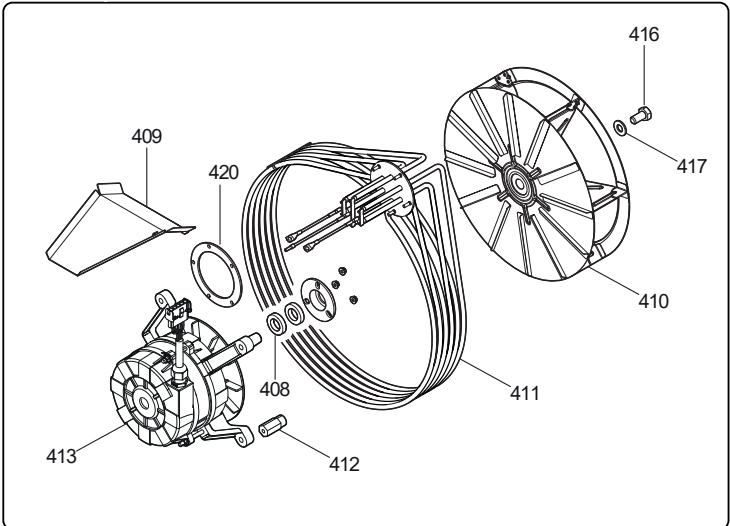
432 PLASTIC PIPES

mm 1000 mm 500 mm 250 mm 150
 Ø 50 mm Ø 50 mm Ø 50 mm Ø 50 mm



431 STEEL PIPES

mm 1000 mm 750 mm 500 mm 250 mm 150
 Ø 50 mm Ø 50 mm Ø 50 mm Ø 50 mm Ø 50 mm



| SKYLINE | | | | | | | | |
|------------|-----------------|------------------|--|-------------------------------|----------|----------|---|--|
| Pos | Spare part Code | Factory code | Descrizione | Description | V | W & T | S | Ref./Notes |
| 100 | OCK103 | 503404P02 | FIANCO SINISTRO 6 1/1 | LEFT PANEL 6 1/1 | | | | a b c d e f g h up to 2020/12 |
| 100 | OCK591 | 503404P03 | FIANCO SINISTRO 6 1/1 | LEFT PANEL 6 1/1 | | | | a b c d e f g h from 2020/13 |
| 100 | OCK102 | 503404Q02 | FIANCO SINISTRO 10 1/1 | LEFT PANEL 10 1/1 | | | | q r s t u v up to 2020/12 |
| 100 | OCK594 | 503404Q03 | FIANCO SINISTRO 10 1/1 | LEFT PANEL 10 1/1 | | | | q r s t u v from 2020/13 |
| 100 | OCK104 | 503405A03 | FIANCO SINISTRO 6 2/1 | LEFT PANEL 6 2/1 | | | | i j k l m n o p |
| 100 | OCK227 | 503405B03 | FIANCO SINISTRO 10 2/1 | LEFT PANEL 10 2/1 | | | | w x y z a1 b1 |
| 101 | OCK293 | 503404R03 | SCHIENALE FORNO 6 1/1 | BACK PANEL 6 1/1 | | | | a b c d e f g h up to 2020/12 |
| 101 | OCK595 | 503404R04 | SCHIENALE FORNO 6 1/1 | BACK PANEL 6 1/1 | | | | a b c d e f g h from 2020/13 |
| 101 | | 50340AR00 | SCHIENALE FORNO 6 1/1 | BACK PANEL 6 1/1 | | | | a b c d e f g h Marine |
| 101 | OCK294 | 503404S03 | SCHIENALE FORNO 10 1/1 | BACK PANEL 10 1/1 | | | | q r s t u v up to 2020/12 |
| 101 | OCK596 | 503404S04 | SCHIENALE FORNO 10 1/1 | BACK PANEL 10 1/1 | | | | q r s t u v from 2020/13 |
| 101 | | 50340AS00 | SCHIENALE FORNO 10 1/1 | BACK PANEL 10 1/1 | | | | q r s t u v Marine |
| 101 | OCK295 | 503405604 | SCHIENALE FORNO 6 2/1 | BACK PANEL 6 2/1 | | | | i j k l m n o p |
| 101 | | 50340AT00 | SCHIENALE FORNO 6 2/1 | BACK PANEL 6 2/1 | | | | i j k l m n o p Marine |
| 101 | OCK296 | 503405704 | SCHIENALE FORNO 10 2/1 | BACK PANEL 10 2/1 | | | | w x y z a1 b1 |
| 101 | | 50340AU00 | SCHIENALE FORNO 10 2/1 | BACK PANEL 10 2/1 | | | | w x y z a1 b1 Marine |
| 102 | OCK230 | 503404C03 | COPERCHIO FORNO 6-10 1/1 | TOP PANEL 6-10 1/1 | | | | a b c d e f g h q r s t u v |
| 102 | OCK229 | 503405D02 | COPERCHIO FORNO 6-10 2/1 | TOP PANEL 6-10 2/1 | | | | i j k l m n o p w x y z a1 b1 |
| 103 | OC4234 | 806847803 | CERNIERA SUPERIORE | UPPER HINGE | X | X | | RIGHT HINGED |
| 103 | * | 80540DX00 | CERNIERA SUPERIORE PORTA REV | UPPER HINGE FOR REVERSE DOOR | X | X | | LEFT HINGED |
| 104 | OCK071 | 543401S02 | AMMORTIZZATORE VETRO INTERNO | INNER GLASS DUMPER | | X | | a b d e f h i j l m n p q s t v w y z b1 |
| 105 | OCK319 | 830409802 | MANIGLIA PORTA | DOOR HANDLE | X | | | ZANUSSI |
| 106 | OCK148 | 50440CX02 | MOLLA FERMAVETRO | INNER GLASS STOPPER | | X | | |
| 107 | OC4092 | 806859903 | NASELLO CHIUSURA 1-STEP | SINGLE STEP DOOR LATCH | X | X | | |
| 107 | OC6010 | 806859101 | NASELLO CHIUSURA 2-STEP | DOUBLE STEP DOOR LATCH | X | X | | MARINE |
| 108 | OCK086 | 510400102 | CERNIERA INFERIORE DESTRA PORTA | RIGHT LOWER HINGE | X | X | | RIGHT HINGED |
| 108 | * | 800401Y00 | CERNIERA INFERIORE PORTA SINISTRA | LOWER HINGE FOR REVERSE DOOR | X | X | | LEFT HINGED |
| 109 | OCK158 | 511400N01 | POSIZIONAT. INF.CON FERMO-PORTA | DOOR POSITIONER WITH STOPPER | | X | | RIGHT HINGED |
| 109 | OCK354 | 511400R00 | POSIZIONAT. INF.CON FERMO-PORTA | DOOR POSITIONER WITH STOPPER | | X | | LEFT HINGED |
| 110 | OCK160 | 541401R00 | PROTEZIONE CAVETTI LED | LED WIRING PROTECTION | | X | | |
| 111 | OCK143 | 835403C00 | MECCANISMO CHIUSURA PORTA | CLOSING MECHANISM | X | | | |
| 112 | OCK297 | 548401U02 | MANIGLIA PORTA | DOOR HANDLE | X | | | ELECTROLUX |
| 113 | OCK205 | 549400W01 | VASCHETTA GN 1/1 | FRONT DRIP TRAY GN 1/1 | | X | | a b c d e f g h q r s t u v |
| 113 | OCK204 | 549400X01 | VASCHETTA GN 2/1 | FRONT DRIP TRAY GN 2/1 | | X | | i j k l m n o p w x y z a1 b1 |
| 114 | OCK239 | 879402801 | ASSIEME VETRO INTERNO 6 1/1 | INNER GLASS ASSEMBLY 6 1/1 | X | X | | a b c d e f g h |
| 114 | OCK081 | 879402901 | ASSIEME VETRO INTERNO 10 1/1 | INNER GLASS ASSEMBLY 10 1/1 | X | X | | q r s t u v |
| 114 | OCK238 | 879402A01 | ASSIEME VETRO INTERNO 6 2/1 | INNER GLASS ASSEMBLY 6 2/1 | X | X | | i j k l m n o p |

| SKYLINE | | | | | | | |
|------------|-----------------|-------------------|--|---|---|-------|---------------------------------|
| Pos | Spare part Code | Factory code | Descrizione | Description | V | W & T | S Ref./Notes |
| 114 | 0CK240 | 879402B01 | ASSIEME VETRO INTERNO 10 2/1 | INNER GLASS ASSEMBLY 10 2/1 | X | X | w x y z a1 b1 |
| 115 | 0CK222 | 543401V01 | GUARNIZIONE CELLA-PORTA 6 1/1 | DOOR GASKET 6 1/1 | X | X | a b c d e f g h |
| 115 | 0CK120 | 543401X01 | GUARNIZIONE CELLA-PORTA 10 1/1 | DOOR GASKET 10 1/1 | X | X | q r s t u v |
| 115 | 0CK121 | 543401W01 | GUARNIZIONE CELLA-PORTA 6 2/1 | DOOR GASKET 6 2/1 | X | X | i j k l m n o p |
| 115 | 0CK223 | 543401Y01 | GUARNIZIONE CELLA-PORTA 10 2/1 | DOOR GASKET 10 2/1 | X | X | w x y z a1 b1 |
| 116 | 0CK171 | 83040BW02 | SPILLONE MULTIPOINT 10 1/1 – 10 2/1 | FOOD PROBE MULTIPOINT 10 1/1 – 10 2/1 | | X | q r s t u v w x y z a1 b1 |
| 116 | 0CK172 | 83040CX01 | SPILLONE MULTIPOINT 6 1/1 – 6 2/1 | FOOD PROBE MULTIPOINT 6 1/1 – 6 2/1 | | X | a b c d e f g h i j k l m n o p |
| 116 | 0CK173 | 83040BV01 | SPILLONE SINGLE POINT 10 1/1 – 10 2/1 | FOOD PROBE SINGLE POINT 10 1/1 – 10 2/1 | | X | q r s t u v w x y z a1 b1 |
| 116 | 0CK174 | 83040CY01 | SPILLONE SINGLE POINT 6 1/1 – 6 2/1 | FOOD PROBE SINGLE POINT 6 1/1 – 6 2/1 | | X | a b c d e f g h i j k l m n o p |
| 117 | 0CK176 | 503407301 | SUPPORTO FILTRO | FILTER SUPPORT | | | |
| 118 | 0CK226 | 549400U02 | FILTRO ARIA | AIR FILTER | | X | |
| 119 | 0CK154 | 875403K00 | PIEDE DI SERVIZIO INOX | SERVICE FOOT INOX | | | |
| 119 | | 875406R00 | PIEDE DI SERVIZIO | SERVICE FOOT | | | MARINE |
| 120 | 0CK076 | 870401W03 | ASSIEME PORTATEGLIE 6 1/1 | TRAY RACK 6 1/1 | | | a b c d e f g h |
| 120 | 0CK241 | 870401Y03 | ASSIEME PORTATEGLIE 10 1/1 | TRAY RACK 10 1/1 | | | q r s t u v |
| 120 | 0CK078 | 870401X03 | ASSIEME PORTATEGLIE 6 2/1 | TRAY RACK 6 2/1 | | | i j k l m n o p |
| 120 | 0CK077 | 870401Z03 | ASSIEME PORTATEGLIE 10 2/1 | TRAY RACK 10 2/1 | | | w x y z a1 b1 |
| 120 | * | 875404P01 | ASSIEME PORTATEGLIE 6 1/1 | TRAY RACK 6 1/1 | | | a b c d e f g h BAKERY |
| 120 | 0CK552 | 0870402M01 | ASSIEME PORTATEGLIE 6 1/1 MARINE | MARINE TRAY RACK 6 1/1 | | | a b c d e f g h MARINE |
| 120 | 0CK551 | 0870402L01 | ASSIEME PORTATEGLIE 10 1/1 MARINE | MARINE TRAY RACK 10 1/1 | | | q r s t u v MARINE |
| 120 | 0CK553 | 0870402N01 | ASSIEME PORTATEGLIE 6 2/1 MARINE | MARINE TRAY RACK 6 2/1 | | | i j k l m n o p MARINE |
| 120 | 0CK554 | 0870402P01 | ASSIEME PORTATEGLIE 10 2/1 MARINE | MARINE TRAY RACK 10 2/1 | | | w x y z a1 b1 MARINE |
| 121 | 0CK331 | 548402700 | COPERCHIETTO MANIGLIA ELUX | ELUX HANDLE COVER | | X | ELECTROLUX |
| 122 | 0CK220 | 500406801 | MOLLETTA FERMATEGLIE | SPRING STOPPER | | X | |
| 123 | 0CK114 | 543402500 | GUARNIZIONE ASPIRAZIONE ARIA | AIR INLET GASKET | | X | |
| 124 | OCA756 | 516896402 | DADO NASELLO | DOOR LATCH NUT | | X | |
| 125 | 0CK195 | 549401800 | VALVOLA SCARICO VASCHETTA | CHECK VALVE | | X | |
| 126 | 0CK318 | 505406L02 | FERMA TEGLIE POSTERIORE | TRAY STOPPER | | X | a b c d e f g h i j k l m n o p |
| 126 | 0CK101 | 505406N01 | FERMA TEGLIE POSTERIORE | TRAY STOPPER | | X | q r s t u v w x y z a1 b1 |
| 127 | 0E1331 | 206004105 | ROSETTA | WASHER | | X | |
| 128 | 0C3973 | 214014255 | VITE M6X25 | SCREW M6X25 | | X | |
| 129 | 0CK082 | 805407P02 | BARRA LED | LED BAR | | X | |
| 130 | 0CK335 | 878407202 | PARETE DI ASPIRAZIONE 6 1/1 | SUCTION WALL 6 1/1 | | | a b c d e f g h |
| 130 | * | 878407901 | PARETE DI ASPIRAZIONE 6 1/1 | SUCTION WALL 6 1/1 | | | a b c d e f g h BAKERY |
| 130 | 0CK320 | 878403505 | PARETE DI ASPIRAZIONE 10 1/1 | SUCTION WALL 10 1/1 | | | q r s t u v |
| 130 | * | 878407B01 | PARETE DI ASPIRAZIONE 10 1/1 | SUCTION WALL 10 1/1 | | | q r s t u v BAKEY |
| 130 | 0CK153 | 878403705 | PARETE DI ASPIRAZIONE 6 2/1 | SUCTION WALL 6 2/1 | | | i j k l m n o p |
| 130 | 0CK338 | 878407801 | PARETE DI ASPIRAZIONE 10 2/1 | SUCTION WALL 10 2/1 | | | w x y z a1 b1 |
| 131 | 0CK323 | 04P0187700 | BOCCOLA IGUS 'IGLIDUR MCM-12-02' | BUSH IGUS 'IGLIDUR MCM-12-02' | | X | |
| 132 | 0CK347 | 0503404K04 | FIANCO DESTRO | RIGHT SIDE PANEL | | | a b c d e f g h |
| 132 | 0CK348 | 0504408304 | FIANCO DESTRO | RIGHT SIDE PANEL | | | i j k l m n o p |
| 132 | 0CK349 | 0503404L04 | FIANCO DESTRO | RIGHT SIDE PANEL | | | q r s t u v |

| SKYLINE | | | | | | | | |
|---------|-----------------|--------------|--|-------------------------------|---|-------|---|------------------------|
| Pos | Spare part Code | Factory code | Descrizione | Description | V | W & T | S | Ref./Notes |
| 132 | 0CK350 | 0503405504 | FIANCO DESTRO | RIGHT SIDE PANEL | | | | w x y z a1 b1 |
| 133 | 0CK433 | 083040MQ02 | KIT PORTA DESTRA 061 ELUX 2 VETRI | RIGHT DOOR KIT 2 GLASSES 6/1 | | | | a d e f h - ELUX |
| 133 | 0CK445 | 083040N202 | KIT PORTA DESTRA 061 ZAN 2 VETRI | RIGHT DOOR KIT 2 GLASSES 6/1 | | | | a d e f h - ZAN |
| 133 | 0CK457 | 083040NF02 | KIT PORTA DESTRA 061 TO BRAND 2 VETRI | RIGHT DOOR KIT 2 GLASSES 6/1 | | | | a d e f h - TO BRAND |
| 133 | 0CK434 | 083040MR02 | KIT PORTA DESTRA 061 ELUX 3 VETRI | RIGHT DOOR KIT 3 GLASSES 6/1 | | | | c g - ELUX |
| 133 | 0CK446 | 083040N302 | KIT PORTA DESTRA 061 ZAN 3 VETRI | RIGHT DOOR KIT 3 GLASSES 6/1 | | | | c g - ZAN |
| 133 | 0CK458 | 083040NG02 | KIT PORTA DESTRA 061 TO BRAND 3 VETRI | RIGHT DOOR KIT 3 GLASSES 6/1 | | | | c g - TO BRAND |
| 133 | 0CK435 | 083040MS02 | KIT PORTA DESTRA 062 ELUX 2 VETRI | RIGHT DOOR KIT 2 GLASSES 6/2 | | | | i j l m n p - ELUX |
| 133 | 0CK447 | 083040N402 | KIT PORTA DESTRA 062 ZAN 2 VETRI | RIGHT DOOR KIT 2 GLASSES 6/2 | | | | i j l m n p - ZAN |
| 133 | 0CK459 | 083040NH02 | KIT PORTA DESTRA 062 TO BRAND 2 VETRI | RIGHT DOOR KIT 2 GLASSES 6/2 | | | | i j l m n p - TO BRAND |
| 133 | 0CK436 | 083040MT02 | KIT PORTA DESTRA 062 ELUX 3 VETRI | RIGHT DOOR KIT 3 GLASSES 6/2 | | | | k o - ELUX |
| 133 | 0CK448 | 083040N502 | KIT PORTA DESTRA 062 ZAN 3 VETRI | RIGHT DOOR KIT 3 GLASSES 6/2 | | | | k o - ZAN |
| 133 | 0CK460 | 083040NJ02 | KIT PORTA DESTRA 062 TO BRAND 3 VETRI | RIGHT DOOR KIT 3 GLASSES 6/2 | | | | k o - TO BRAND |
| 133 | 0CK437 | 083040MU02 | KIT PORTA DESTRA 101 ELUX 2 VETRI | RIGHT DOOR KIT 2 GLASSES 10/1 | | | | q s t v - ELUX |
| 133 | 0CK449 | 083040N602 | KIT PORTA DESTRA 101 ZAN 2 VETRI | RIGHT DOOR KIT 2 GLASSES 10/1 | | | | q s t v - ZAN |
| 133 | 0CK461 | 083040NK02 | KIT PORTA DESTRA 101 TO BRAND 2 VETRI | RIGHT DOOR KIT 2 GLASSES 10/1 | | | | q s t v - TO BRAND |
| 133 | 0CK438 | 083040MV02 | KIT PORTA DESTRA 101 ELUX 3 VETRI | RIGHT DOOR KIT 3 GLASSES 10/1 | | | | r u - ELUX |
| 133 | 0CK450 | 083040N702 | KIT PORTA DESTRA 101 ZAN 3 VETRI | RIGHT DOOR KIT 3 GLASSES 10/1 | | | | r u - ZAN |
| 133 | 0CK462 | 083040NL02 | KIT PORTA DESTRA 101 TO BRAND 3 VETRI | RIGHT DOOR KIT 3 GLASSES 10/1 | | | | r u - TO BRAND |
| 133 | 0CK439 | 083040MW02 | KIT PORTA DESTRA 102 ELUX 2 VETRI | RIGHT DOOR KIT 2 GLASSES 10/2 | | | | w y z b1 - ELUX |
| 133 | 0CK451 | 083040N802 | KIT PORTA DESTRA 102 ZAN 2 VETRI | RIGHT DOOR KIT 2 GLASSES 10/2 | | | | w y z b1 - ZAN |
| 133 | 0CK463 | 083040NM02 | KIT PORTA DESTRA 102 TO BRAND 2 VETRI | RIGHT DOOR KIT 2 GLASSES 10/2 | | | | w y z b1 - TO BRAND |
| 133 | 0CK440 | 083040MX02 | KIT PORTA DESTRA 102 ELUX 3 VETRI | RIGHT DOOR KIT 3 GLASSES 10/2 | | | | x a1 - ELUX |
| 133 | 0CK452 | 083040N902 | KIT PORTA DESTRA 102 ZAN 3 VETRI | RIGHT DOOR KIT 3 GLASSES 10/2 | | | | x a1 - ZAN |
| 133 | 0CK464 | 083040NN02 | KIT PORTA DESTRA 102 TO BRAND 3 VETRI | RIGHT DOOR KIT 3 GLASSES 10/2 | | | | x a1 - TO BRAND |
| 133 | 0CK469 | 083040LW02 | KIT PORTA SINISTRA 061 ELUX CKM 2V | LEFT DOOR KIT 2 GLASSES 6/1 | | | | e - ELUX |
| 133 | 0CK425 | 083040M403 | KIT PORTA SINISTRA 061 ZAN CKM 2V | LEFT DOOR KIT 2 GLASSES 6/1 | | | | e - ZAN |
| 133 | 0CK483 | 083040MC02 | KIT PORTA SINISTRA 061 TO BRAND CKM 2V | LEFT DOOR KIT 2 GLASSES 6/1 | | | | e - TO BRAND |
| 133 | 0CK470 | 083040LX02 | KIT PORTA SINISTRA 061 ELUX CKM 3V | LEFT DOOR KIT 3 GLASSES 6/1 | | | | g - ELUX |
| 133 | 0CK477 | 083040M502 | KIT PORTA SINISTRA 061 ZAN CKM 3V | LEFT DOOR KIT 3 GLASSES 6/1 | | | | g - ZAN |
| 133 | 0CK484 | 083040MD02 | KIT PORTA SINISTRA 061 TO BRAND CKM 3V | LEFT DOOR KIT 3 GLASSES 6/1 | | | | g - TO BRAND |
| 133 | 0CK471 | 083040LY02 | KIT PORTA SINISTRA 062 ELUX CKM 2V | LEFT DOOR KIT 2 GLASSES 6/2 | | | | m - ELUX |
| 133 | 0CK478 | 083040M602 | KIT PORTA SINISTRA 062 ZAN CKM 2V | LEFT DOOR KIT 2 GLASSES 6/2 | | | | m - ZAN |
| 133 | 0CK485 | 083040MF02 | KIT PORTA SINISTRA 062 TO BRAND CKM 2V | LEFT DOOR KIT 2 GLASSES 6/2 | | | | m - TO BRAND |
| 133 | 0CK472 | 083040LZ02 | KIT PORTA SINISTRA 062 ELUX CKM 3V | LEFT DOOR KIT 3 GLASSES 6/2 | | | | o - ELUX |
| 133 | 0CK479 | 083040M702 | KIT PORTA SINISTRA 062 ZAN CKM 3V | LEFT DOOR KIT 3 GLASSES 6/2 | | | | o - ZAN |
| 133 | 0CK486 | 083040MG02 | KIT PORTA SINISTRA 062 TO BRAND CKM 3V | LEFT DOOR KIT 3 GLASSES 6/2 | | | | o - TO BRAND |
| 133 | 0CK473 | 083040M002 | KIT PORTA SINISTRA 101 ELUX CKM 2V | LEFT DOOR KIT 2 GLASSES 10/1 | | | | z - ELUX |
| 133 | 0CK426 | 083040M801 | KIT PORTA SINISTRA 101 ZAN CKM 2V | LEFT DOOR KIT 2 GLASSES 10/1 | | | | z - ZAN |
| 133 | 0CK487 | 083040MH02 | KIT PORTA SINISTRA 101 TO BRAND CKM 2V | LEFT DOOR KIT 2 GLASSES 10/1 | | | | z - TO BRAND |
| 133 | 0CK474 | 083040M102 | KIT PORTA SINISTRA 101 ELUX CKM 3V | LEFT DOOR KIT 3 GLASSES 10/1 | | | | a1 - ELUX |
| 133 | 0CK480 | 083040M902 | KIT PORTA SINISTRA 101 ZAN CKM 3V | LEFT DOOR KIT 3 GLASSES 10/1 | | | | a1 - ZAN |

| SKYLINE | | | | | | | |
|---------|-----------------|--------------|--|------------------------------|---|-------|---------------|
| Pos | Spare part Code | Factory code | Descrizione | Description | V | W & T | S Ref./Notes |
| 133 | 0CK488 | 083040MJ02 | KIT PORTA SINISTRA 101 TO BRAND CKM 3V | LEFT DOOR KIT 3 GLASSES 10/1 | | | a1 - TO BRAND |
| 133 | 0CK475 | 083040M202 | KIT PORTA SINISTRA 102 ELUX CKM 2V | LEFT DOOR KIT 2 GLASSES 10/2 | | | t - ELUX |
| 133 | 0CK481 | 083040MA02 | KIT PORTA SINISTRA 102 ZAN CKM 2V | LEFT DOOR KIT 2 GLASSES 10/2 | | | t - ZAN |
| 133 | 0CK489 | 083040MK02 | KIT PORTA SINISTRA 102 TO BRAND CKM 2V | LEFT DOOR KIT 2 GLASSES 10/2 | | | t - TO BRAND |
| 133 | 0CK476 | 083040M302 | KIT PORTA SINISTRA 102 ELUX CKM 3V | LEFT DOOR KIT 3 GLASSES 10/2 | | | u - ELUX |
| 133 | 0CK482 | 083040MB02 | KIT PORTA SINISTRA 102 ZAN CKM 3V | LEFT DOOR KIT 3 GLASSES 10/2 | | | u - ZAN |
| 133 | 0CK490 | 083040ML02 | KIT PORTA SINISTRA 102 TO BRAND CKM 3V | LEFT DOOR KIT 3 GLASSES 10/2 | | | u - TO BRAND |
| 134 | 0CK356 | 0855408601 | ASS. VETRO INTERMEDIO PORTA | DOOR MIDDLE GLASS ASS.Y | | | c g |
| 134 | 0CK357 | 0855408701 | ASS. VETRO INTERMEDIO PORTA | DOOR MIDDLE GLASS ASS.Y | | | r u |
| 134 | 0CK358 | 0855409801 | ASS. VETRO INTERMEDIO PORTA | DOOR MIDDLE GLASS ASS.Y | | | k o |
| 134 | 0CK359 | 0855409901 | ASS. VETRO INTERMEDIO PORTA | DOOR MIDDLE GLASS ASS.Y | | | x a1 |
| 135 | 0CK351 | 0543403D00 | ASS. GUARNIZIONE VETRO INTERMEDIO | MIDDLE GLASS GASKET ASS.Y | | | c g |
| 135 | 0CK352 | 0543403F00 | ASS. GUARNIZIONE VETRO INTERMEDIO | MIDDLE GLASS GASKET ASS.Y | | | r u |
| 135 | 0CK353 | 0543403G00 | ASS. GUARNIZIONE VETRO INTERMEDIO | MIDDLE GLASS GASKET ASS.Y | | | k o |
| 135 | 0CK355 | 0543403H00 | ASS. GUARNIZIONE VETRO INTERMEDIO | MIDDLE GLASS GASKET ASS.Y | | | x a1 |
| 137 | 0CK269 | 083040BX00 | SONDA CELLA | CAVITY PROBE | | | |
| 138 | | | MOLLA PER CHIUSURA | SPRING | | | |

| SKYLINE | | | | | | | | |
|---------|-----------------|--------------|--|--|---|-------|---|-------------------------------|
| Pos | Spare part Code | Factory code | Descrizione | Description | V | W & T | S | Ref./Notes |
| 200 | 0CK161 | 541401D01 | PROTEZIONE SCHEDA USER | USER INTERFACE COVER | | | | |
| 201 | 0CK037 | 638404D00 | CAVO PROLUNGA USB | USB PROLONG | | X | | |
| 202 | 0CK041 | 546400V01 | SPORTELLINO USB | USB WINDOW | | X | | |
| 203 | 0CK040 | 543401N01 | CRUSCOTTO PLASTICA TOUCH | PLASTIC FRAME TOUCH | | | | abcefgijk mnoqrtuw xza1 |
| 204 | 0CK144 | 541401F02 | MEMBRANA TOUCH ELECTROLUX CON BOILER | ELECTROLUX TOUCH MEMBRANE WITH BOILER | | X | | efgmnoutu za1 |
| 204 | 0CK298 | 541402501 | MEMBRANA TOUCH ELECTROLUX SENZA BOILER | ELECTROLUX TOUCH MEMBRANE WITHOUT BOILER | | X | | abcijkqr wx |
| 204 | 0CK299 | 541401U03 | MEMBRANA TOUCH ZANUSSI CON BOILER | ZANUSSI TOUCH MEMBRANE WITH BOILER | | X | | efgmnoutu za1 |
| 204 | 0CK300 | 541402703 | MEMBRANA TOUCH ZANUSSI SENZA BOILER | ZANUSSI TOUCH MEMBRANE WITHOUT BOILER | | X | | abcijkqr wx |
| 204 | 0CK332 | 541401V01 | MEMBRANA TOUCH TO BRAND | TO BRAND TOUCH MEMBRANE | | X | | abcefgijk mnoqrtuw xza1 |
| 204 | * | 541402S00 | MEMBRANA TOUCH DIAMOND | DIAMOND TOUCH MEMBRANE | | X | | abcefgijk mnoqrtuw xza1 |
| 205 | 0CK070 | 675401U04 | ACU -SCHEDA POWER | ACU-POWER BOARD | X | | | |
| 206 | 0CK034 | 673400900 | DISPLAY 7" | DISPLAY 7" | X | | | abcefgijk mnoqrtuw xza1 |
| 207 | 0CK033 | 675401G00 | SCHEDA ON/OFF | ON/OFF BOARD | X | X | | |
| 208 | 0CK036 | 675401J01 | SCHEDA BRIDGE | BRIDGE BOARD | X | | | abcefgijk mnoqrtuw xza1 |
| 209 | 0CK039 | 655400000 | ALTOPARLANTE | SPEAKER | | X | | abcefgijk mnoqrtuw xza1 |
| 210 | 0CK145 | 640400300 | MICRO INTERRUTTORE | MICRO SWITCH | | X | | |
| 211 | 0CK199 | 682400G00 | VENTILATORE RAFFREDDAMENTO | COOLING FAN | | X | | |
| 212 | 0CK184 | 646400H00 | TERMOSTATO SICUREZZA CELLA | CAVITY SAFETY THERMOSTAT | X | | | |
| 213 | 0CK183 | 646400G00 | TERMOSTATO SICUREZZA BOILER | BOILER SAFETY THERMOSTAT | X | | | |
| 214 | 0CK167 | 675401S01 | SMPS ALIM. SWITCHING 24V | SWITCHING FEEDER 24V | X | | | |
| 215 | 0CK166 | 675402Z00 | SMPS ALIM. SWITCHING 12V | SWITCHING FEEDER 12V | X | | | |
| 216 | 0CK030 | 546400U01 | SUPPORTO USB | USB CAGE | | | | |
| 217 | 0CK225 | 694400L00 | FILTRO TOROIDALE | TOROIDAL FILTER | | | | abcdefgh qrstuv |
| 217 | 0CK259 | 694400M00 | FILTRO TOROIDALE | TOROIDAL FILTER | | | | ijklmnop wxyz a1 b1 |
| 218 | 0CK168 | 657400200 | SONDA LAMBDA | LAMBDA PROBE | | X | | |
| 219 | 0CK005 | 648400V00 | RELE' STATO SOLIDO 90A | SOLID STATE RELAY 90A | X | | | abcdefgh qrstuv |
| 219 | 0CK004 | 648400U00 | RELE' STATO SOLIDO 50A | SOLID STATE RELAY 50A | | | | ijklmnop wxyz a1 b1 |
| 220 | 0CK208 | 646400C01 | SONDA NTC DISSIPATORE CELLA | NTC PROBE HEAT SINK-CAVITY | X | X | | |
| 222 | 0C3732 | 167098088 | PASTIGLIA TERMICA | THERMAL PAD | | X | | |
| 223 | 0CK035 | 675401H00 | SCHEDA CORE | CORE BOARD | X | | | abcefgijk mnoqrtuw xza1 |
| 224 | 0CK107 | 694400N00 | FILTRO TRIFASE | 3-PHASE FILTER | | X | | |
| 225 | 0CK130 | 675401T02 | INVERTER | INVERTER | X | | | EU |
| 225 | 0CK424 | 675403H00 | INVERTER | INVERTER | X | | | USA |
| 226 | 0CK105 | 694400X00 | FILTRO EMC | EMC FILTER | | X | | |
| 226 | 0CK260 | 694400S00 | FILTRO EMC | EMC FILTER | | X | | AUS/MARINE |

| SKYLINE | | | | | | | |
|------------|-----------------|--------------------|---------------------------------------|--|----------|----------|--|
| Pos | Spare part Code | Factory code | Descrizione | Description | V | W & T | S Ref./Notes |
| 227 | 088267 | 648722900 | RELE' | RELAY | X | X | |
| 228 | 0CK209 | 646400D01 | SONDA NTC DISSIPATORE BOILER | NTC PROBE HEAT SINK-BOILER | X | X | |
| 229 | 0L3360 | 63962B400 | PORTA FUSIBILI (PEZZO SINGOLO) | FUSE HOLDER (SINGLE PIECE) | X | X | EU |
| 229 | 0CK406 | 63962D800 | PORTA FUSIBILI (PEZZO SINGOLO) | FUSE HOLDER (SINGLE PIECE) | X | X | USA |
| 229 | | 652400H0000 | PORTA FUSIBILI (PEZZO SINGOLO) | FUSE HOLDER (SINGLE PIECE) | X | X | MARINE |
| 230 | 0CK218 | 638404L00 | MORSETTO PHOENIX PT6 (PEZZO SINGOLO) | PHOENIX CLAMP PT6 (SINGLE PIECE) | X | X | a b c d e f g h - all q r s t u v - 400-380-415- 460-480 V |
| 230 | 0CK249 | 638404M00 | MORSETTO PHOENIX PT16(PEZZO SINGOLO) | PHOENIX CLAMP PT16 (SINGLE PIECE) | X | X | i j k l m n o p w x y z a1 b1 - all q r s t u v - 200-208-220- 230-240 V |
| 231 | 0CK231 | 648400W00 | CONTATTORE K318-ND | CONTACTOR K318-ND | X | X | a b c d e f g h q r s t u v - 400-460-480 V |
| 231 | 0CK290 | 648400X00 | CONTATTORE K3 32 A00 | CONTACTOR K3 32 A00 | X | X | a b c d e f g h - 200-208- 230 V i j k l m n o p - 400-460-480 V |
| 231 | 0CK291 | 648400Y00 | CONTATTORE K3 40 A00 | CONTACTOR K3 40 A00 | X | X | i j k l m n o p q r s t u v w x y z a1 b1 - 200-208-230 V w x y z a1 b1 - 400 V |
| 232 | 0CK219 | 639401501 | MORSETTIERA 10 mm2 3F+N+F | MAIN TERMINAL BLOCK 10 mm2 3F+N+F | | | a b c d e f g h q r s t u v - 400 V |
| 232 | 0CK305 | 639401401 | MORSETTIERA 16 mm2 3F+N+F | MAIN TERMINAL BLOCK 16 mm2 3F+N+F | | | i j k l m n o p - 400 V |
| 232 | 0CK306 | 639401801 | MORSETTIERA 35 mm2 3F+N+F | MAIN TERMINAL BLOCK 35 mm2 3F+N+F | | | w x y z a1 b1 - 400 V |
| 232 | 0CK412 | 0639401N00 | MORSETTIERA 70 mm2 | MAIN TERMINAL BLOCK 70 mm2 | | | w x y z a1 b1 - 208V |
| 232 | 0CK413 | 0639401R00 | MORSETTIERA 50 mm2 | MAIN TERMINAL BLOCK 50 mm2 | | | a b c d e f g h i j k l m n o p q r s t u v - 208V |
| 232 | 0CK414 | 0639401U00 | MORSETTIERA 10 mm2 3F+PE | MAIN TERMINAL BLOCK 10 mm2 3F+PE | | | a b c d e f g h q r s t u v 460- 480V |
| 232 | 0CK415 | 0639401V00 | MORSETTIERA 16 mm2 | MAIN TERMINAL BLOCK 16 mm2 | | | i j k l m n o p - 460-480V |
| 232 | 0CK416 | 0639401W00 | MORSETTIERA 35 mm2 | MAIN TERMINAL BLOCK 35 mm2 | | | w x y z a1 b1 - 460-480V |
| 232 | 0CK016 | 0639401P00 | MORSETTIERA 10 mm2 3F+F(PE) | MAIN TERMINAL BLOCK 10 mm2 3F+F(PE) | | | a d e g h 220-240V |
| 232 | 0CK018 | 639401T01 | MORSETTIERA 35 mm2 3F+F | MAIN TERMINAL BLOCK 35 mm2 3F+F | | | w x y z a1 b1 - 220-240V |
| 232 | 0CK017 | 0639401S00 | MORSETTIERA 35 mm2 | MAIN TERMINAL BLOCK 35 mm2 | | | q r s t u v 220-240V i j k l m n o p w x y z a1 b1 380/400/415/ 440/460/480 |
| 232 | | 639402300 | MORSETTIERA 16 mm2 3F+F | MAIN TERMINAL BLOCK 16 mm2 3F+F | | | i j k l m n o p 380/400/415/ 440/460/480 |

| SKYLINE | | | | | | | |
|---------|-----------------|--------------|---|--|---|-------|---|
| Pos | Spare part Code | Factory code | Descrizione | Description | V | W & T | S Ref./Notes |
| 233 | | 83040PG00 | ASSIEME USER TOUCH | USER INTERFACE ASSEMBLY TOUCH | X | | a b c e f g i j k m n o q r t u w x z a 1 |
| 234 | 0CK079 | 830409604 | ASSIEME USER DIGIT | USER INTERFACE ASSEMBLY DIGIT | X | | d h l p s v y b 1 |
| 235 | 0C5239 | 652806000 | FUSIBILE 5X20 4A ST520240 | FUSE 5X20 4A ST520240 | X | X | EU - US 480V |
| 235 | 0C1480 | 652803300 | FUSIBILE 5X20 6,3A T | FUSE 5X20 6,3A T | X | X | EU - US |
| 235 | 0C2230 | 652805100 | FUSIBILE 6,3X32 FAST 6,3A 500V | FUSE 6,3X32 FAST 6,3A 500V | X | X | US 480V |
| 235 | | 0652400J00 | FUSIBILE T 4.0A 5X20 250V CERAMICO | FUS T 4.0A 5X20 250V CERAMICO | | | 440V MARINE |
| 235 | | 0652400L00 | FUSIBILE T 6.3A 6.3X32 500V CERAMICO | FUSE T 6.3A 6.3X32 500V CERAMICO | | | 440V MARINE |
| 235 | 0L3435 | 0652608D00 | FUSIBILE CERAMICO 5X20 250V 6.3 A T RITARDATO | FUSE CERAMICO 5X20 250V 6.3 A T RETARDED | | | 440V MARINE |
| 236 | 0CK032 | 514405001 | MOLLA SPORTELLINO | SPRING | | X | |
| 237 | 0CK038 | 638404F02 | CAVETTO RECOVERY | RECOVERY CABLE | | X | |
| 238 | 0CK292 | 541401G02 | MEMBRANA DIGIT ELECTROLUX CON BOILER | ELECTROLUX DIGIT MEMBRANE WITH BOILER | | X | d l s y |
| 238 | 0CK301 | 541402602 | MEMBRANA DIGIT ELECTROLUX SENZA BOILER | ELECTROLUX DIGIT MEMBRANE WITHOUT BOILER | | X | h p v b 1 |
| 238 | 0CK302 | 541401W03 | MEMBRANA DIGIT ZANUSSI CON BOILER | ZANUSSI DIGIT MEMBRANE WITH BOILER | | X | d l s y |
| 238 | 0CK303 | 541402804 | MEMBRANA DIGIT ZANUSSI SENZA BOILER | ZANUSSI DIGIT MEMBRANE WITHOUT BOILER | | X | h p v b 1 |
| 238 | 0CK333 | 541401X02 | MEMBRANA DIGIT TO BRAND CON BOILER | TO BRAND DIGIT MEMBRANE WITH BOILER | | X | d l s y |
| 238 | 0CK334 | 541402A02 | MEMBRANA DIGIT TO BRAND SENZA BOILER | TO BRAND DIGIT MEMBRANE WITHOUT BOILER | | X | h p v b 1 |
| 238 | * | 541402U01 | MEMBRANA DIGIT DIAMOND CON BOILER | DIAMOND DIGIT MEMBRANE WITH BOILER | | X | d l s y |
| 238 | * | 541402T01 | MEMBRANA DIGIT DIAMOND SENZA BOILER | DIAMOND DIGIT MEMBRANE WITHOUT BOILER | | X | h p v b 1 |
| 239 | 0CK043 | 543401Q01 | CRUSCOTTO PLASTICA DIGIT | PLASTIC FRAME DIGIT | | | d h l p s v y b 1 |
| 240 | 0CK044 | 675401P02 | SCHEDA USER DIGIT | DIGIT USER BOARD | X | | d h l p s v y b 1 |
| 241 | 0CK042 | 657400101 | SCHEDA NIU | NIU BOARD | | | |
| 242 | 0CK045 | 675401Q00 | CAVETTO ON/OFF TOUCH | ON/OFF CABLE TOUCH | | X | a b c e f g i j k m n o q r t u w x z a 1 |
| 242 | 0CK329 | 675402K00 | CAVETTO ON/OFF DIGIT | ON/OFF CABLE DIGIT | | X | d h l p s v y b 1 |
| 243 | 0CK254 | 646400A00 | SONDA NTC | NTC PROBE | X | X | |
| 244 | 0CK330 | 675401L00 | CAVETTO CONNESSIONE SPEAKER | WIRING SPEAKER | | X | a b c e f g i j k m n o q r t u w x z a 1 |
| 245 | 0CK622 | 546401700 | TASTO PER TASTIERA DIGIT | LIGHTED PUSH-BUTTON 13X13 H11.4MM | | | d h l p s v y b 1 5 pcs |

| SKYLINE | | | | | | | | |
|---------|-----------------|--------------|-------------------------------------|--------------------------------|---|-------|---|--|
| Pos | Spare part Code | Factory code | Descrizione | Description | V | W & T | S | Ref./Notes |
| 300 | 0CK418 | 686400304 | POMPA LAVAGGIO 220-240V 50/60HZ | CLEANING PUMP 220-240V 50/60HZ | X | X | | |
| 301 | 0C4202 | 516896000 | CONTRODADO | NUT | | | X | |
| 302 | 0C4201 | 543841400 | GUARNIZIONE IN RAME | COPPER GASKET | | | X | |
| 303 | 0CK285 | 83040HS00 | ASS. ELETTROVALVOLA | SOLENOID VALVE ASSEMBLY | | | X | d e f g l m n o s t u y z a1 |
| 303 | 0CK013 | 83040HU00 | ASS. ELETTROVALVOLA | SOLENOID VALVE ASSEMBLY | | | X | a b c h i j k p q r v w x b1 |
| 304 | 0CK182 | 541401S01 | TEGOLO RACCOGLI CONDENZA | FRONT GUTTER | | | | |
| 305 | 0CK283 | 83040HL00 | GRUPPO ELETTROVALVOLE RM1400 | SOLENOID VALVES GROUP RM1400 | | | X | - USA all - e f g m n o t u z a1 - d l s y P85 - l ELUX 415- 440V |
| 305 | 0CK284 | 83040HM00 | GRUPPO ELETTROVALVOLE RM1300 | SOLENOID VALVES GROUP RM1300 | | | X | - a b c h i j k p q r v w x b1 (except USA) - d l s y (except P85) - d s y ELUX 415-440V |
| 306 | 0CK282 | 83040HK00 | FLUSSIMETRO | FLOW METER ASSEMBLY | | | X | |
| 307 | 0CK128 | 855405L02 | INGRESSO UMIDIFICATORE 6 1/1 | HUMIDIFIER INLET 6 1/1 | | | | a b c d e f g h |
| 307 | 0CK126 | 855406701 | INGRESSO UMIDIFICATORE 10 1/1 | HUMIDIFIER INLET 10 1/1 | | | | q r s t u v |
| 307 | 0CK129 | 855405M02 | INGRESSO UMIDIFICATORE 6 2/1 | HUMIDIFIER INLET 6 2/1 | | | | i j k l m n o p |
| 307 | 0CK127 | 855406801 | INGRESSO UMIDIFICATORE 10 2/1 | HUMIDIFIER INLET 10 2/1 | | | | w x y z a1 b1 |
| 308 | 0CK175 | 506405803 | STAFFA SUPPORTO ELETTROVALVOLA | SOLENOID VALVE SUPPORT | | | | |
| 309 | 0CK228 | 696400L01 | ELETTROVALVOLA. | SOLENOID VALVE | | | X | |
| 310 | 0CK221 | 544401G03 | MANICOTTO MANDATA POMPA | PUMP EXIT MANIFOLD | | | X | |
| 311 | 0CK137 | 544401F03 | MANICOTTO ASPIRAZIONE POMPA | PUMP INLET MANIFOLD | | | X | |
| 312 | 0CK616 | 83040NZ00 | KIT DOCCETTA INTEGRATA | INTEGRATED SHOWER KIT | | | | a,b,c,d,h,i,j,k, l,p,q,r,s,v,w,x, y,b1 |
| 313 | 0CK087 | 541402F01 | CILINDRO PASTIGLIE | CYLINDER FOR TABS | | | X | |
| 314 | 0CK233 | 855403M06 | CONDUTTURE CLEANING SYSTEM 6 1/1 | CLEANING SYSTEM PIPING 6 1/1 | | | | a b c d e f g h |
| 314 | 0CK235 | 855403N07 | CONDUTTURE CLEANING SYSTEM 10 1/1 | CLEANING SYSTEM PIPING 10 1/1 | | | | q r s t u v |
| 314 | 0CK232 | 855403P06 | CONDUTTURE CLEANING SYSTEM 6 2/1 | CLEANING SYSTEM PIPING 6 2/1 | | | | i j k l m n o p |
| 314 | 0CK234 | 855403Q07 | CONDUTTURE CLEANING SYSTEM 10 2/1 | CLEANING SYSTEM PIPING 10 2/1 | | | | w x y z a1 b1 |
| 315 | 0CK157 | 514F02U00 | PORTAGOMMA | HOSE FITTING | | | X | |
| 316 | 0CK141 | 544402P00 | MANICOTTO SCARICO BOILER | BOILER DRAIN MANIFOLD | | | X | |
| 317 | 0CK207 | 544401A01 | TUBO SCARICO CONDENZA | CONDENSATE DRAIN HOSE | | | X | |
| 318 | 0CK074 | 805407U01 | ASSIEME CONDUTTURA SCARICO CONDENZA | CONDENSATE DRAIN PIPE | | | | |
| 319 | 0CK321 | 500404Y02 | COPERTURA POSTERIORE CARTER | CARTER BACK COVER | | | | |
| 319 | | 50040AX00 | COPERTURA POSTERIORE CARTER | CARTER BACK COVER | | | | Marine |
| 320 | 0CK236 | 500404D02 | CARTER COPERTURA FONDO | CARTER BOTTOM COVER | | | | |
| 320 | | 50040AW00 | CARTER COPERTURA FONDO | CARTER BOTTOM COVER | | | | Marine |
| 321 | 0CK178 | 546400W01 | SUPPORTO SCORRIMENTO DOCCETTA | SHOWER HOSE SUPPORT SLIPPING | | | X | |
| 322 | 0CK196 | 805407S05 | VASCHETTA RACCOGLI CONDENZA 1/1 | FRONT DRIP TRAY GN 1/1 | | | X | a b c d e f g h q r s t u v |
| 322 | 0CK197 | 805407T05 | VASCHETTA RACCOGLI CONDENZA 2/1 | FRONT DRIP TRAY GN 2/1 | | | X | i j k l m n o p w x y z a1 b1 |
| 323 | 0CB250 | 689400001 | VALVOLA SCARICO BOILER | BOILER DRAIN VALVE | X | X | | EU |
| 323 | 0CB251 | 689400500 | VALVOLA SCARICO BOILER | BOILER DRAIN VALVE | X | X | | USA |
| 324 | 0CK217 | 541401K02 | PANNELLO FACCIATA INFERIORE | | | | X | Up to 2019/41 |
| 324 | 0CK427 | 541402Z00 | PANNELLO FACCIATA INFERIORE | | | | X | From 2019/42 |
| 325 | 0CK137 | 544401F03 | MANICOTTO ASPIRAZIONE POMPA | PUMP INLET MANIFOLD | | | X | |

| SKYLINE | | | | | | | | |
|------------|-----------------|------------------|---|-------------------------------------|---|----------|----------|--|
| Pos | Spare part Code | Factory code | Descrizione | Description | V | W & T | S | Ref./Notes |
| 326 | 0CK420 | 830409A04 | ASSIEME CAMINO ABBATTITORE | STEAM EXHAUST PIPE | | | | a b c d e f g h i j k l m n o p |
| 326 | 0CK075 | 830409B05 | ASSIEME CAMINO ABBATTITORE | STEAM EXHAUST PIPE | | | | q r s t u v w x y z a1 b1 |
| 328 | 0CK155 | 514407S00 | PIOLO SCARICO CONDENZA PORTA | CONDENSATE DOOR DRAIN STUD | X | X | | |
| 329 | 0CK193 | 689400700 | VALVOLA MOTORIZZATA 1" | MOTORIZED BALL VALVE 1" | X | X | | EU |
| 329 | 0CK380 | 689400600 | VALVOLA MOTORIZZATA 1" | MOTORIZED BALL VALVE 1" | X | X | | USA |
| 330 | 0CK138 | 544401V02 | MANICOTTO COLLEGAMENTO CAMINO | RUBBER MANIFOLD | | X | | |
| 331 | 0CK097 | 835402V03 | DOCSETTA | WATER SPRAY GUN | | | | - e,f,g,m,n,o all - o,t,u,z,a1 all - a,b,c,d,h 60 Hz - i,j,k,l,p 60 Hz - q,r,s,v 60 Hz - w,x,y,b1 60 Hz |
| 332 | 0CK096 | 514405A00 | DADO CIECO 1"G | NUT 1" | | X | | |
| 333 | 0CK073 | 805409V01 | ASS. COLLETTORE SCARICO AIRBREAK | AIRBREAK DRAIN ASSEMBLY | X | X | | |
| 334 | 0CK142 | 544401J03 | MANICOTTO SCARICO CELLA | | | X | | |
| 335 | 0CK162 | 518400Y00 | RONDELLA OTTONE (34X42X2.5) | BRASS WASHER (34X42X2.5) | | X | | |
| 336 | 0CK170 | 83040C000 | SONDA TEMP. ABBATTITORE FUMANE | STEAM QUENCHING TEMP. PROBE | X | X | | |
| 337 | 0CK106 | 502404000 | FILTRO SUPPORTO DETERGENTE | DETERGENT HOLDER FILTER | | | | |
| 338 | 0CK206 | 544402Z00 | TUBO SILICONE | SILICON HOSE | | X | | |
| 339 | 046855 | 518602801 | FASCETTA | CLAMP | | X | | |
| 340 | 0CK169 | 653400B00 | SONDA NTC SICUREZZA | SAFETY NTC PROBE | X | X | | |
| 341 | 0CK304 | 835405Q00 | FASCETTA A MOLLA FBS HC 24/12 | SPRING CLAMP FBS HC 24/12 | | X | | |
| 342 | 0CK191 | 544402Y00 | TUBO SCARICO BOILER | BOILER DRAIN HOSE | | X | | |
| 343 | 0CK139 | 544401Z02 | MANICOTTO COLLEGAM. SCARICHI 1/1 | DRAIN CONNECTOR 1/1 | | X | | a b c d e f g h q r s t u v |
| 343 | 0CK140 | 544403100 | MANICOTTO COLLEGAM. SCARICHI 2/1 | DRAIN CONNECTOR 2/1 | | X | | i j k l m n o p w x y z a1 b1 |
| 344 | 0C5829 | 544819400 | TUBO EPDM BLU | EPDM BLUE HOSE | | X | | |
| 345 | 0CK192 | 544401Y00 | TUBO SILICONE RETINATO | SILICONE HOSE REINFORCED | | X | | |
| 346 | 0CK190 | 544402000 | TUBO NBR TELATO | NBR HOSE BLACK | | X | | |
| 347 | 0CK083 | 514404Y01 | BICONO TENUTA TERMOCOPPIA | THERMOCOUPLE BICONICAL SEALING | | X | | |
| 348 | 0C9201 | 518825C01 | FASCETTA A VITE CLAMP BCT-9420 X TUBO D21-44 | CLAMP BCT-9420 X TUBO D21-44 | | X | | |
| 349 | 0L3736 | 640613Q00 | SENSORE REED CASSETTO PASTIGLIE | TABS DRAWER REED SENSOR | | | | |
| 350 | 0CK304 | 835405Q00 | FASCETTA A MOLLA CON PREFIX FBS HC 24/12 | SPRING CLAMP FBS HC 24/12 | | X | | |
| 351 | 0CK007 | 654400300 | SENSORE REED PORTA DX | RIGHT DOOR REED SENSOR | | | | L = 470 mm |
| 351 | 0CK384 | 654400500 | SENSORE REED PORTA SX | LEFT DOOR REED SENSOR | | | | L = 1100 mm |
| 352 | 0CK177 | 514406W01 | SUPPORTO PASTIGLIE | TABS HOLDER | | | | |
| 353 | 0CK246 | 514406V00 | MOLLA TAPPO | CUP SPRING | | X | | |
| 354 | 0CK125 | 543402S01 | GUARNIZIONE TAPPO | CUP GASKET | | X | | |
| 355 | 0CK180 | 541402M00 | TAPPO MOBILE | MOVABLE CUP | | X | | |
| 356 | 0CK179 | 541402D00 | TAPPO FISSO | FIX CUP | | X | | |
| 357 | 0CK322 | 80540DK02 | ASSIEME TAPPO SERBATOIO CHIMICA | CUP TANK ASSEMBLY | | X | | |
| 358 | 0PE481 | 511T00300 | MANOPOLA ZIGRINATA | KNURLED SCREW | | X | | |
| 360 | 0CK100 | 835405P00 | FASCETTA A MOLLA FBS HC 38/12 | SPRING CLAMP FBS HC 38/12 | | X | | |
| 361 | 0S1279 | 0P.P313.00.00 | SEGER PER MINIREEL (PER FORO d. 28) | | | X | | |
| 363 | 0CK431 | 0P.P463X5 | O-RING 2081 | | | X | | |
| 364 | 0CK429 | 0R.F193 | TUBO FLESSIBILE EPDM d.6x12mm | | | X | | |
| 365 | 0CK430 | 0R.P470 | MOLLA SAGOMATA | | | X | | |
| 366 | 0L0673 | 0P.P243.00.00 | TESTA DOCCIA | | | X | | |
| 367 | 0CK600 | 544401S01 | COLLETTORE RPE DN19 CON FILTRO 3/4" | COLLECTOR | | | X | |

| SKYLINE | | | | | | | | |
|-------------|-----------------|------------------|--------------------------------------|---|---|-------|---|----------------------|
| Pos | Spare part Code | Factory code | Descrizione | Description | V | W & T | S | Ref./Notes |
| 400 | 0CK272 | 83040C401 | BOILER 6 1/1 | BOILER 6 1/1 | X | | | defg |
| 400 | 0CK271 | 83040C301 | BOILER 10 1/1 | BOILER 10 1/1 | X | | | stu |
| 400 | 0CK307 | 83040C501 | BOILER 6 2/1 | BOILER 6 2/1 | X | | | lmno |
| 400 | 0CK308 | 83040C601 | BOILER 10 2/1 | BOILER 10 2/1 | X | | | yz a1 |
| 401 | 007033 | 830890501 | SONDA LIVELLO ACQUA | WATER LEVEL SENSOR | X | X | | |
| 402 | 0CK147 | 514406Q00 | MOLLA | SPRING | | X | | |
| 403 | 0C5834 | 543844800 | GUARNIZIONE RESISTENZA BOILER | BOILER HEATING ELEMENT GASKET | X | X | | |
| 404 | 0CK214 | 617402801 | RESIST. BOILER 415V 9688W | BOILER HEATING ELEM. 415V 9688W | X | | | defgstu 380-415V |
| 404 | 0CK215 | 617402D01 | RESIST. BOILER 415V 19375W | BOILER HEATING ELEM. 415V 19375W | X | | | lmnoyza1 380-415V |
| 404 | 0CK023 | 617402700 | RESIST. BOILER 240V 9688W | BOILER HEATING ELEM. 240V 9688W | X | | | defgstu 220-240V |
| 404 | 0CK024 | 617402C00 | RESIST. BOILER 240V 19375W | BOILER HEATING ELEM. 240V 19375W | X | | | lmnoyza1 220-240V |
| 404 | 0CK399 | 617402600 | RESIST. BOILER 208V 9000W | BOILER HEATING ELEM. 208V 9000W | X | | | defgstu 200-208V |
| 404 | 0CK400 | 617402A00 | RESIST. BOILER 480V 9000W | BOILER HEATING ELEM. 480V 9000W | X | | | defgstu 460-480V |
| 404 | 0CK401 | 617402B00 | RESIST. BOILER 208V 18000W | BOILER HEATING ELEM. 208V 18000W | X | | | lmnoyza1 200-208V |
| 404 | 0CK402 | 617402G00 | RESIST. BOILER 480V 18000W | BOILER HEATING ELEM. 480V 18000W | X | | | lmnoyza1 460-480V |
| 404 | 0CK611 | 617402900 | RESIST. BOILER 440V 9423W | BOILER HEATING ELEM. 440V 9423W | X | | | defgstu 440V |
| 404 | 0CK613 | 617402F00 | RESIST. BOILER 440V 18847W | BOILER HEATING ELEM. 440V 18847W | X | | | lmnoyza1 440V |
| 405 | 0CK188 | 515404902 | TUBO INGRESSO ARIA | AIR INLET PIPE | | | | |
| 406 | 0CK270 | 83040BY00 | SENSORE DI TEMPERATURA BOILER | BOILER TEMPERATURE SENSOR | X | X | | |
| 407 | 0CK006 | 805409302 | ASSIEME VALVOLA ARIA | AIR INLET VALVE | X | X | | |
| 407a | 0CK642 | 543402R01 | GUARNIZIONE VALVOLA ARIA | AIR INLET VALVE GASKET | | | | |
| 408 | 0CK072 | 569400Q00 | ANELLO TENUTA IN GRAFITE | GRAPHITIC RING | | X | | |
| 409 | 0CK181 | 50440AT00 | TEGOLO PARAGOCCE | DRIP PROTECTION | | | | |
| 410 | 0CK200 | 504409J00 | VENTOLA GN 1/1 | FAN GN1/1 | | | | abcdefgh qrstuv |
| 410 | 0CK201 | 504409K00 | VENTOLA GN 2/1 | FAN GN 2/1 | | | | ijklmnop xyza1 b1 |
| 411 | 0CK211 | 617401N02 | RESISTENZA CELLA 400V 6 1/1 | CAVITY HEATING ELEM. 400V 6 1/1 | X | | | abcdefgh 400V |
| 411 | 0CK213 | 617401Y02 | RESISTENZA CELLA 400V 10 1/1 | CAVITY HEATING ELEM. 400V 10 1/1 | X | | | qrstuv 400V |
| 411 | 0CK210 | 617401T02 | RESISTENZA CELLA 400V 6 2/1 | CAVITY HEATING ELEM. 400V 6 2/1 | X | | | ijklmnop 400V |
| 411 | 0CK212 | 617402302 | RESISTENZA CELLA 400V 10 2/1 | CAVITY HEATING ELEM. 400V 10 2/1 | X | | | wxyza1 b1 400V |
| 411 | 0CK019 | 617401M01 | RESISTENZA CELLA 240V 6 1/1 | CAVITY HEATING ELEM. 240V 6 1/1 | X | | | abcdefgh 240V |
| 411 | 0CK021 | 617401X01 | RESISTENZA CELLA 240V 10 1/1 | CAVITY HEATING ELEM. 240V 10 1/1 | X | | | qrstuv 240V |
| 411 | 0CK020 | 617401S01 | RESISTENZA CELLA 240V 6 2/1 | CAVITY HEATING ELEM. 240V 6 2/1 | X | | | ijklmnop 240V |
| 411 | 0CK022 | 617402201 | RESISTENZA CELLA 240V 10 2/1 | CAVITY HEATING ELEM. 240V 10 2/1 | X | | | wxyza1 b1 240V |
| 411 | 0CK391 | 617401L01 | RESISTENZA CELLA 208V 6 1/1 | CAVITY HEATING ELEM. 208V 6 1/1 | X | | | abcdefgh 208V |
| 411 | 0CK392 | 617401Q01 | RESISTENZA CELLA 480V 6 1/1 | CAVITY HEATING ELEM. 480V 6 1/1 | X | | | abcdefgh 480V |
| 411 | 0CK393 | 617401R01 | RESISTENZA CELLA 208V 6 2/1 | CAVITY HEATING ELEM. 208V 6 2/1 | X | | | ijklmnop 208V |

| SKYLINE | | | | | | | | |
|---------|-----------------|-------------------|-------------------------------------|---|----------|-------|---|--|
| Pos | Spare part Code | Factory code | Descrizione | Description | V | W & T | S | Ref./Notes |
| 411 | 0CK394 | 617401V01 | RESISTENZA CELLA 480V 6 2/1 | CAVITY HEATING ELEM. 480V 6 2/1 | X | | | ijklmnop 480V |
| 411 | 0CK395 | 617401W01 | RESISTENZA CELLA 208V 10 1/1 | CAVITY HEATING ELEM. 208V 10 1/1 | X | | | qrstuv 208V |
| 411 | 0CK396 | 617402001 | RESISTENZA CELLA 480V 10 1/1 | CAVITY HEATING ELEM. 480V 10 1/1 | X | | | qrstuv 480V |
| 411 | 0CK397 | 617402101 | RESISTENZA CELLA 208V 10 2/1 | CAVITY HEATING ELEM. 208V 10 2/1 | X | | | wxyz a1 b1 208V |
| 411 | 0CK398 | 617402501 | RESISTENZA CELLA 480V 10 2/1 | CAVITY HEATING ELEM. 480V 10 2/1 | X | | | wxyz a1 b1 480V |
| 411 | 0CK612 | 617401P01 | RESISTENZA CELLA 440V 6 1/1 | CAVITY HEATING ELEM. 440V 6 1/1 | X | | | abcdefghijklh 440V MARINE |
| 411 | 0CK589 | 617401U01 | RESISTENZA CELLA 440V 6 2/1 | CAVITY HEATING ELEM. 440V 6 2/1 | X | | | ijklmnop 440V - MARINE/AUS |
| 411 | 0CK590 | 617401Z01 | RESISTENZA CELLA 440V 10 1/1 | CAVITY HEATING ELEM. 440V 10 1/1 | X | | | qrstuv 440V - MARINE/AUS |
| 411 | 0CK610 | 617402401 | RESISTENZA CELLA 440V 10 2/1 | CAVITY HEATING ELEM. 440V 10 2/1 | X | | | wxyz a1 b1 440V MARINE |
| 412 | 0CK216 | 514404Z03 | PERNO SUPPORTO MOTORE | MOTOR PIN SUPPORT | | | | |
| 413 | 0CK149 | 611400900 | MOTORE HANNING 450W | HANNING MOTOR 450W | X | | | abcdefghijklh qrstuv up to 2020/18 |
| 413 | 0CK150 | 611400C01 | MOTORE FIR 750W | FIR MOTOR 750W | X | | | ijklmnop wxyz a1 b1 EU/AUS |
| 413 | 0CK422 | 611400B02 | MOTORE FIR 450W | FIR MOTOR 450W | X | | | abcdefghijklh qrstuv from 2020/19 |
| 413 | 0CK423 | 611400A00 | MOTORE 750W | MOTOR 750W | X | | | ijklmnopw xyz a1 b1 US |
| 415 | 0CK189 | 544401B00 | TUBO INGRESSO VAPORE | STEAM INLET HOSE | X | X | | |
| 416 | 0CK309 | 217016205 | VITE TENUTA VENTOLA | FAN SCREW | | X | | |
| 417 | 0CK310 | 206300900 | RONDELLA | WASHER | | X | | |
| 418 | 0CK311 | 560401702 | ISOLANTE BOILER 6 1/1 | BOILER INSULATION 6 1/1 | | X | | defg |
| 418 | 0CK312 | 560401A02 | ISOLANTE BOILER 10 1/1 | BOILER INSULATION 10 1/1 | | X | | stu |
| 418 | 0CK313 | 560401802 | ISOLANTE BOILER 6 2/1 | BOILER INSULATION 6 2/1 | | X | | lmno |
| 418 | 0CK314 | 560401902 | ISOLANTE BOILER 10 2/1 | BOILER INSULATION 10 2/1 | | X | | yz a1 |
| 419 | 006451 | 147018082 | NASTRO ADESIVO ALLUMINATO | ALLUMINIUM ADHESIVE TAPE | | X | | |
| 420 | 0CK117 | 569400Z00 | GUARNIZIONE 6 1/1 | GASKET 6 1/1 | X | X | | abcdefghijklh |
| 420 | 0CK118 | 569401000 | GUARNIZIONE 6 2/1-10 1/1-10 2/1 | GASKET 6 2/1-10 1/1-10 2/1 | X | X | | ijklmnopq rstuvwxyz a1 b1 |
| 429 | 0CK403 | 624400P01 | TRASFORMATORE TOROIDALE 550VA | TRANSFORMER 550 VA | | | | 100-120-200- 208-220-230- 240 V |
| 430 | 0CK404 | 624400Q01 | TRASFORMATORE TOROIDALE 1450VA | TRANSFORMER 1450 VA | | | | 0-230-380- 400-415-440- 460-480 V |
| 431 | 0CK592 | 9F92263600 | KIT SCARICO ACCIAIO | STEEL PIPES | | | | |
| 432 | 0CK593 | 9F92263700 | KIT SCARICO PLASTICA | PLASTIC PIPES | | | | |

SKYLINE – KIT DI MANUTENZIONE – MAINTENANCE KIT

| Spare Part Code KIT | Description KIT | Spare Part Code | S.P. Q.ty | Spare part position | Descrizione Spare part | Spare part Description | Ref./Note |
|---------------------|------------------------|-----------------|-----------|---------------------|---------------------------|------------------------|---------------------------------------|
| 0CK360 | SKL OV PM KIT 1 | | | | | | 10 GN 1/1 - BOILER/ BOILERLESS |
| | | 0CK120 | 1 | 115 | GUARNIZIONE CELLA-PORTA | DOOR GASKET | |
| | | 0CK226 | 1 | 118 | FILTRO ARIA | AIR FILTER | |
| | | 0CK195 | 1 | 125 | VALVOLA SCARICO VASCHETTA | CHECK VALVE | |
| | | 0CK323 | 1 | 131 | BOCCOLA IGUS | BUSH IGUS | |
| | | 0CK119 | 2 | | GUARN. CANDELINA ACC.NE | IGNITION ROD GASKET | |
| | | 0CK115 | 2 | | GUARNIZIONE BRUCIATORE | BURNER GASKET | |
| | | 0CK116 | 2 | | GUARNIZIONE BRUCIATORE | BURNER GASKET | |
| 0CK361 | SKL OV PM KIT 2 | | | | | | 6 GN 2/1 - BOILER/ BOILERLESS |
| | | 0CK121 | 1 | 115 | GUARNIZIONE CELLA-PORTA | DOOR GASKET | |
| | | 0CK226 | 1 | 118 | FILTRO ARIA | AIR FILTER | |
| | | 0CK195 | 1 | 125 | VALVOLA SCARICO VASCHETTA | CHECK VALVE | |
| | | 0CK323 | 1 | 131 | BOCCOLA IGUS | BUSH IGUS | |
| | | 0CK119 | 2 | | GUARN. CANDELINA ACC.NE | IGNITION ROD GASKET | |
| | | 0CK115 | 2 | | GUARNIZIONE BRUCIATORE | BURNER GASKET | |
| | | 0CK116 | 2 | | GUARNIZIONE BRUCIATORE | BURNER GASKET | |
| 0CK362 | SKL OV PM KIT 3 | | | | | | 6 GN 1/1 - BOILER/ BOILERLESS |
| | | 0CK222 | 1 | 115 | GUARNIZIONE CELLA-PORTA | DOOR GASKET | |
| | | 0CK226 | 1 | 118 | FILTRO ARIA | AIR FILTER | |
| | | 0CK195 | 1 | 125 | VALVOLA SCARICO VASCHETTA | CHECK VALVE | |
| | | 0CK323 | 1 | 131 | BOCCOLA IGUS | BUSH IGUS | |
| | | 0CK119 | 2 | | GUARN. CANDELINA ACC.NE | IGNITION ROD GASKET | |
| | | 0CK115 | 2 | | GUARNIZIONE BRUCIATORE | BURNER GASKET | |
| | | 0CK116 | 2 | | GUARNIZIONE BRUCIATORE | BURNER GASKET | |
| 0CK363 | SKL OV PM KIT 4 | | | | | | 10 GN 2/1 - BOILER/ BOILERLESS |
| | | 0CK223 | 1 | 115 | GUARNIZIONE CELLA-PORTA | DOOR GASKET | |
| | | 0CK226 | 1 | 118 | FILTRO ARIA | AIR FILTER | |
| | | 0CK195 | 1 | 125 | VALVOLA SCARICO VASCHETTA | CHECK VALVE | |
| | | 0CK323 | 1 | 131 | BOCCOLA IGUS | BUSH IGUS | |
| | | 0CK119 | 2 | | GUARN. CANDELINA ACC.NE | IGNITION ROD GASKET | |
| | | 0CK115 | 2 | | GUARNIZIONE BRUCIATORE | BURNER GASKET | |
| | | 0CK116 | 2 | | GUARNIZIONE BRUCIATORE | BURNER GASKET | |

SKYLINE – KIT DI MANUTENZIONE – MAINTENANCE KIT

| Spare Part Code KIT | Description KIT | Spare Part Code | S.P. Q.ty | Spare part position | Descrizione Spare part | Spare part Description | Ref./Note |
|---------------------|------------------------|-----------------|-----------|---------------------|---------------------------------|------------------------|---------------------------------------|
| 0CK364 | SKL OV PM KIT 5 | | | | | | 10 GN 1/1 - BOILER/ BOILERLESS |
| | | 0CK120 | 1 | 115 | GUARNIZIONE CELLA-PORTA | DOOR GASKET | |
| | | 0CK226 | 1 | 118 | FILTRO ARIA | AIR FILTER | |
| | | 0CK195 | 1 | 125 | VALVOLA SCARICO VASCHETTA | CHECK VALVE | |
| | | 0CK323 | 1 | 131 | BOCCOLA IGUS | BUSH IGUS | |
| | | 0CK119 | 2 | | GUARN. CANDELINA ACC.NE | IGNITION ROD GASKET | |
| | | 0CK115 | 2 | | GUARNIZIONE BRUCIATORE | BURNER GASKET | |
| | | 0CK116 | 2 | | GUARNIZIONE BRUCIATORE | BURNER GASKET | |
| | | 0CK143 | 1 | 111 | MECCANISMO CHIUSURA PORTA | CLOSING MECHANISM | |
| | | 0CK087 | 1 | 313 | CILINDRO PASTIGLIE | CYLINDER FOR TABS | |
| | | 0CK322 | 1 | 357 | ASSIEME TAPPO SERBATOIO CHIMICA | CUP TANK ASSEMBLY | |
| 0CK365 | SKL OV PM KIT 6 | | | | | | 6 GN 2/1 - BOILER/ BOILERLESS |
| | | 0CK121 | 1 | 115 | GUARNIZIONE CELLA-PORTA | DOOR GASKET | |
| | | 0CK226 | 1 | 118 | FILTRO ARIA | AIR FILTER | |
| | | 0CK195 | 1 | 125 | VALVOLA SCARICO VASCHETTA | CHECK VALVE | |
| | | 0CK323 | 1 | 131 | BOCCOLA IGUS | BUSH IGUS | |
| | | 0CK119 | 2 | | GUARN. CANDELINA ACC.NE | IGNITION ROD GASKET | |
| | | 0CK115 | 2 | | GUARNIZIONE BRUCIATORE | BURNER GASKET | |
| | | 0CK116 | 2 | | GUARNIZIONE BRUCIATORE | BURNER GASKET | |
| | | 0CK143 | 1 | 111 | MECCANISMO CHIUSURA PORTA | CLOSING MECHANISM | |
| | | 0CK087 | 1 | 313 | CILINDRO PASTIGLIE | CYLINDER FOR TABS | |
| | | 0CK322 | 1 | 357 | ASSIEME TAPPO SERBATOIO CHIMICA | CUP TANK ASSEMBLY | |
| 0CK366 | SKL OV PM KIT 7 | | | | | | 6 GN 1/1 - BOILER/ BOILERLESS |
| | | 0CK222 | 1 | 115 | GUARNIZIONE CELLA-PORTA | DOOR GASKET | |
| | | 0CK226 | 1 | 118 | FILTRO ARIA | AIR FILTER | |
| | | 0CK195 | 1 | 125 | VALVOLA SCARICO VASCHETTA | CHECK VALVE | |
| | | 0CK323 | 1 | 131 | BOCCOLA IGUS | BUSH IGUS | |
| | | 0CK119 | 2 | | GUARN. CANDELINA ACC.NE | IGNITION ROD GASKET | |
| | | 0CK115 | 2 | | GUARNIZIONE BRUCIATORE | BURNER GASKET | |
| | | 0CK116 | 2 | | GUARNIZIONE BRUCIATORE | BURNER GASKET | |
| | | 0CK143 | 1 | 111 | MECCANISMO CHIUSURA PORTA | CLOSING MECHANISM | |
| | | 0CK087 | 1 | 313 | CILINDRO PASTIGLIE | CYLINDER FOR TABS | |
| | | 0CK322 | 1 | 357 | ASSIEME TAPPO SERBATOIO CHIMICA | CUP TANK ASSEMBLY | |

SKYLINE – KIT DI MANUTENZIONE – MAINTENANCE KIT

| Spare Part Code KIT | Description KIT | Spare Part Code | S.P. Q.ty | Spare part position | Descrizione Spare part | Spare part Description | Ref./Note |
|---------------------|-------------------------|-----------------|-----------|---------------------|---------------------------------|--------------------------------|---------------------------------------|
| 0CK367 | SKL OV PM KIT 8 | | | | | | 10 GN 2/1 - BOILER/ BOILERLESS |
| | | 0CK223 | 1 | 115 | GUARNIZIONE CELLA-PORTA | DOOR GASKET | |
| | | 0CK226 | 1 | 118 | FILTRO ARIA | AIR FILTER | |
| | | 0CK195 | 1 | 125 | VALVOLA SCARICO VASCHETTA | CHECK VALVE | |
| | | 0CK323 | 1 | 131 | BOCCOLA IGUS | BUSH IGUS | |
| | | 0CK119 | 2 | | GUARN. CANDELINA ACC.NE | IGNITION ROD GASKET | |
| | | 0CK115 | 2 | | GUARNIZIONE BRUCIATORE | BURNER GASKET | |
| | | 0CK116 | 2 | | GUARNIZIONE BRUCIATORE | BURNER GASKET | |
| | | 0CK143 | 1 | 111 | MECCANISMO CHIUSURA PORTA | CLOSING MECHANISM | |
| | | 0CK087 | 1 | 313 | CILINDRO PASTIGLIE | CYLINDER FOR TABS | |
| | | 0CK322 | 1 | 357 | ASSIEME TAPPO SERBATOIO CHIMICA | CUP TANK ASSEMBLY | |
| | | | | | | | |
| 0CK376 | SKL OV PM KIT 17 | | | | | | 10 GN 1/1 - BOILER/ BOILERLESS |
| | | 0CK120 | 1 | 115 | GUARNIZIONE CELLA-PORTA | DOOR GASKET | |
| | | 0CK226 | 1 | 118 | FILTRO ARIA | AIR FILTER | |
| | | 0CK195 | 1 | 125 | VALVOLA SCARICO VASCHETTA | CHECK VALVE | |
| | | 0CK323 | 1 | 131 | BOCCOLA IGUS | BUSH IGUS | |
| | | 0CK193 | 1 | 329 | VALVOLA MOTORIZZATA | MOTORIZED BALL VALVE | |
| | | 0CK119 | 2 | | GUARN. CANDELINA ACC.NE | IGNITION ROD GASKET | |
| | | 0CK115 | 2 | | GUARNIZIONE BRUCIATORE | BURNER GASKET | |
| | | 0CK116 | 2 | | GUARNIZIONE BRUCIATORE | BURNER GASKET | |
| | | 0CK156 | 1 | 300 | POMPA LAVAGGIO 220-240V 50/60HZ | CLEANING PUMP 220-240V 50/60HZ | |
| 0CK377 | SKL OV PM KIT 18 | | | | | | 6 GN 2/1 - BOILER/ BOILERLESS |
| | | 0CK121 | 1 | 115 | GUARNIZIONE CELLA-PORTA | DOOR GASKET | |
| | | 0CK226 | 1 | 118 | FILTRO ARIA | AIR FILTER | |
| | | 0CK195 | 1 | 125 | VALVOLA SCARICO VASCHETTA | CHECK VALVE | |
| | | 0CK323 | 1 | 131 | BOCCOLA IGUS | BUSH IGUS | |
| | | 0CK193 | 1 | 329 | VALVOLA MOTORIZZATA | MOTORIZED BALL VALVE | |
| | | 0CK119 | 2 | | GUARN. CANDELINA ACC.NE | IGNITION ROD GASKET | |
| | | 0CK115 | 2 | | GUARNIZIONE BRUCIATORE | BURNER GASKET | |
| | | 0CK116 | 2 | | GUARNIZIONE BRUCIATORE | BURNER GASKET | |
| | | 0CK156 | 1 | 300 | POMPA LAVAGGIO 220-240V 50/60HZ | CLEANING PUMP 220-240V 50/60HZ | |

SKYLINE – KIT DI MANUTENZIONE – MAINTENANCE KIT

| Spare Part Code KIT | Description KIT | Spare Part Code | S.P. Q.ty | Spare part position | Descrizione Spare part | Spare part Description | Ref./Note |
|---------------------|-------------------------|-----------------|-----------|---------------------|---------------------------------|--------------------------------|---------------------------------------|
| 0CK378 | SKL OV PM KIT 19 | | | | | | 6 GN 1/1 - BOILER/ BOILERLESS |
| | | 0CK222 | 1 | 115 | GUARNIZIONE CELLA-PORTA | DOOR GASKET | |
| | | 0CK226 | 1 | 118 | FILTRO ARIA | AIR FILTER | |
| | | 0CK195 | 1 | 125 | VALVOLA SCARICO VASCHETTA | CHECK VALVE | |
| | | 0CK323 | 1 | 131 | BOCCOLA IGUS | BUSH IGUS | |
| | | 0CK193 | 1 | 329 | VALVOLA MOTORIZZATA | MOTORIZED BALL VALVE | |
| | | 0CK119 | 2 | | GUARN. CANDELINA ACC.NE | IGNITION ROD GASKET | |
| | | 0CK115 | 2 | | GUARNIZIONE BRUCIATORE | BURNER GASKET | |
| | | 0CK116 | 2 | | GUARNIZIONE BRUCIATORE | BURNER GASKET | |
| | | 0CK156 | 1 | 300 | POMPA LAVAGGIO 220-240V 50/60HZ | CLEANING PUMP 220-240V 50/60HZ | |
| 0CK379 | SKL OV PM KIT 20 | | | | | | 10 GN 2/1 - BOILER/ BOILERLESS |
| | | 0CK223 | 1 | 115 | GUARNIZIONE CELLA-PORTA | DOOR GASKET | |
| | | 0CK226 | 1 | 118 | FILTRO ARIA | AIR FILTER | |
| | | 0CK195 | 1 | 125 | VALVOLA SCARICO VASCHETTA | CHECK VALVE | |
| | | 0CK323 | 1 | 131 | BOCCOLA IGUS | BUSH IGUS | |
| | | 0CK193 | 1 | 329 | VALVOLA MOTORIZZATA | MOTORIZED BALL VALVE | |
| | | 0CK119 | 2 | | GUARN. CANDELINA ACC.NE | IGNITION ROD GASKET | |
| | | 0CK115 | 2 | | GUARNIZIONE BRUCIATORE | BURNER GASKET | |
| | | 0CK116 | 2 | | GUARNIZIONE BRUCIATORE | BURNER GASKET | |
| | | 0CK156 | 1 | 300 | POMPA LAVAGGIO 220-240V 50/60HZ | CLEANING PUMP 220-240V 50/60HZ | |

Electrolux Professional SpA
Viale Treviso, 15
33170 Pordenone, ITALY
Fax (+39) 0434 380 201
<https://www.electroluxprofessional.com>
<https://webgate.electroluxprofessional.com>