

SKYLINE ELECTRIC OVEN FORNO ELETTRICO SKYLINE

Type Reference	Ref	Page	Description	note
COE61C20	a		6 grids GN 1/1 - touch convect - double glass - Standard	
COE61C2K	b		6 grids GN 1/1 - touch convect - double glass - Smoker/Aromatizer	
COE61C30	c		6 grids GN 1/1 - touch convect - triple glass - Standard	
COE61D20	d		6 grids GN 1/1 - digital steam - double glass - Standard	
COE61T20	e		6 grids GN 1/1 - touch steam - double glass - Standard	
COE61T2K	f		6 grids GN 1/1 - touch steam - double glass - Smoker/Aromatizer	
COE61T30	g		6 grids GN 1/1 - touch steam - triple glass - Standard	
COE61V20	h		6 grids GN 1/1 - digital convect - double glass - Standard	
COE62C20	i		6 grids GN 2/1 - touch convect - double glass - Standard	
COE62C2K	j		6 grids GN 2/1 - touch convect - double glass - Smoker/Aromatizer	
COE62C30	k		6 grids GN 2/1 - touch convect - triple glass - Standard	
COE62D20	l		6 grids GN 2/1 - digital steam - double glass - Standard	
COE62T20	m		6 grids GN 2/1 - touch steam - double glass - Standard	
COE62T2K	n		6 grids GN 2/1 - touch steam - double glass - Smoker/Aromatizer	
COE62T30	o		6 grids GN 2/1 - touch steam - triple glass - Standard	
COE62V20	p		6 grids GN 2/1 - digital convect - double glass - Standard	
COE11C20	q		10 grids GN 1/1 - touch convect - double glass - Standard	
COE11C30	r		10 grids GN 1/1 - touch convect - triple glass - Standard	
COE11D20	s		10 grids GN 1/1 - digital steam - double glass - Standard	
COE11T20	t		10 grids GN 1/1 - touch steam - double glass - Standard	
COE11T30	u		10 grids GN 1/1 - touch steam - triple glass - Standard	
COE11V20	v		10 grids GN 1/1 - digital convect - double glass - Standard	
COE12C20	w		10 grids GN 2/1 - touch convect - double glass - Standard	
COE12C30	x		10 grids GN 2/1 - touch convect - triple glass - Standard	
COE12D20	y		10 grids GN 2/1 - digital steam - double glass - Standard	
COE12T20	z		10 grids GN 2/1 - touch steam - double glass - Standard	
COE12T30	a1		10 grids GN 2/1 - touch steam - triple glass - Standard	
COE12V20	b1		10 grids GN 2/1 - digital convect - double glass - Standard	

Index

Description Type Reference/Descrizione Type Reference
Oven cabinet and door/Cella forno e porta
Electrical components/Componenti elettrici
Water system/Impianto idraulico
Boiler
Spare parts list / Lista ricambi
Maintenance kit / Kit di manutenzione

Page

2
3
4
5
6
7-19
20-23

Bold=last change / Grassetto =ultima modifica

V = Vital spare part/Ricambio vitale
W&T = Wear&Tear and Consumable/
Ricambio usurabile e consumabile
S = Suggested/Ricambio suggerito

Rev. 6

From Ser. Nr.... Up to Ser. Nr....	Ed. 2019-03 Updated 2021-04	Page: 1	Doc No:595403H00
---------------------------------------	--------------------------------	---------	-------------------------

COE * * *

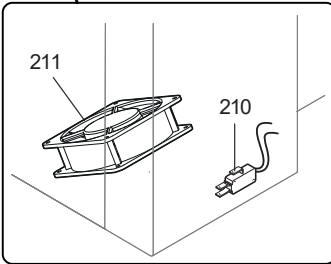
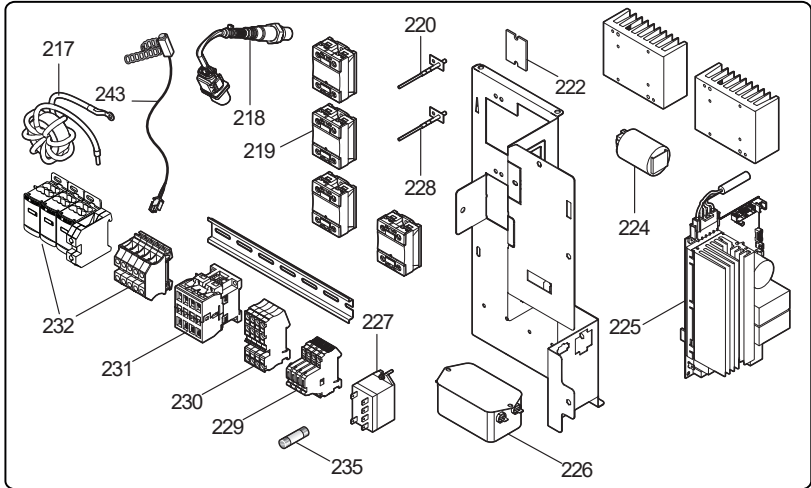
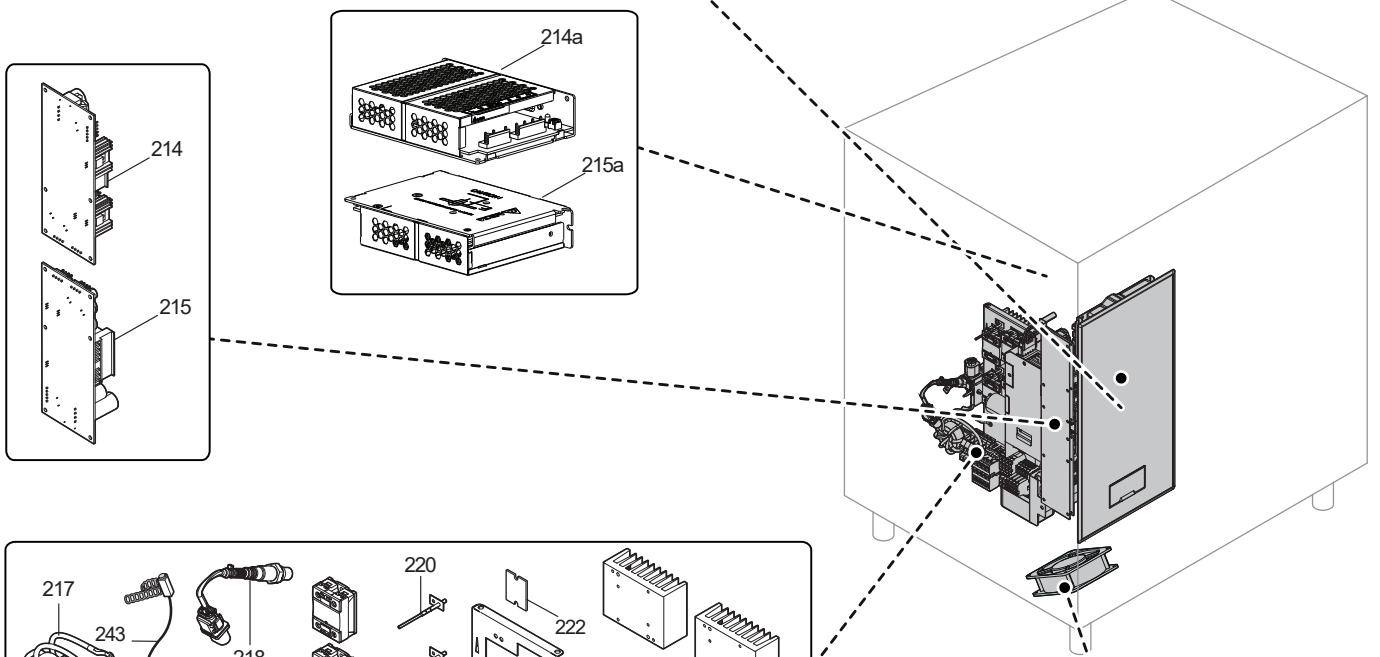
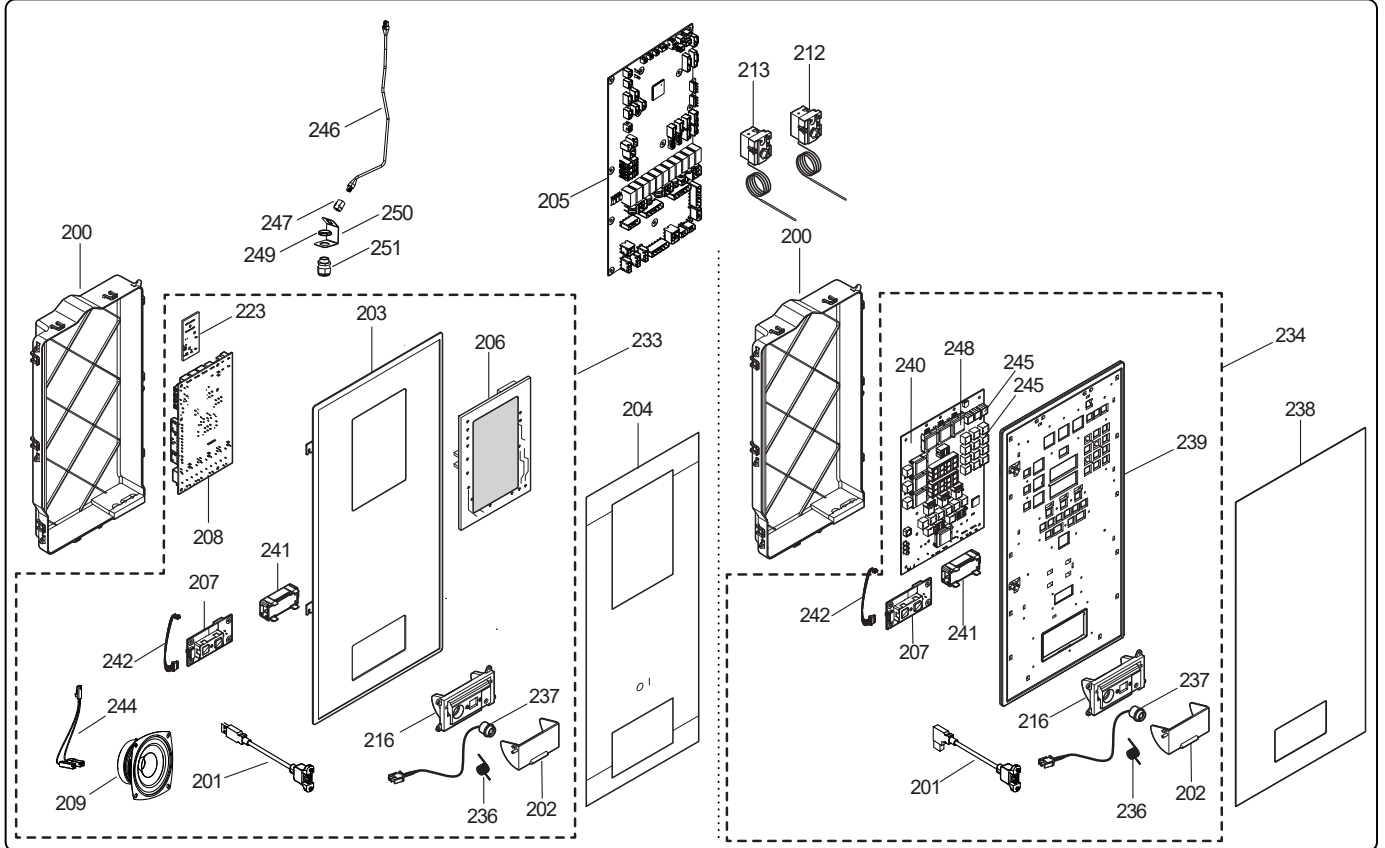
K = Smoker/Aromatizer
0 = Standard

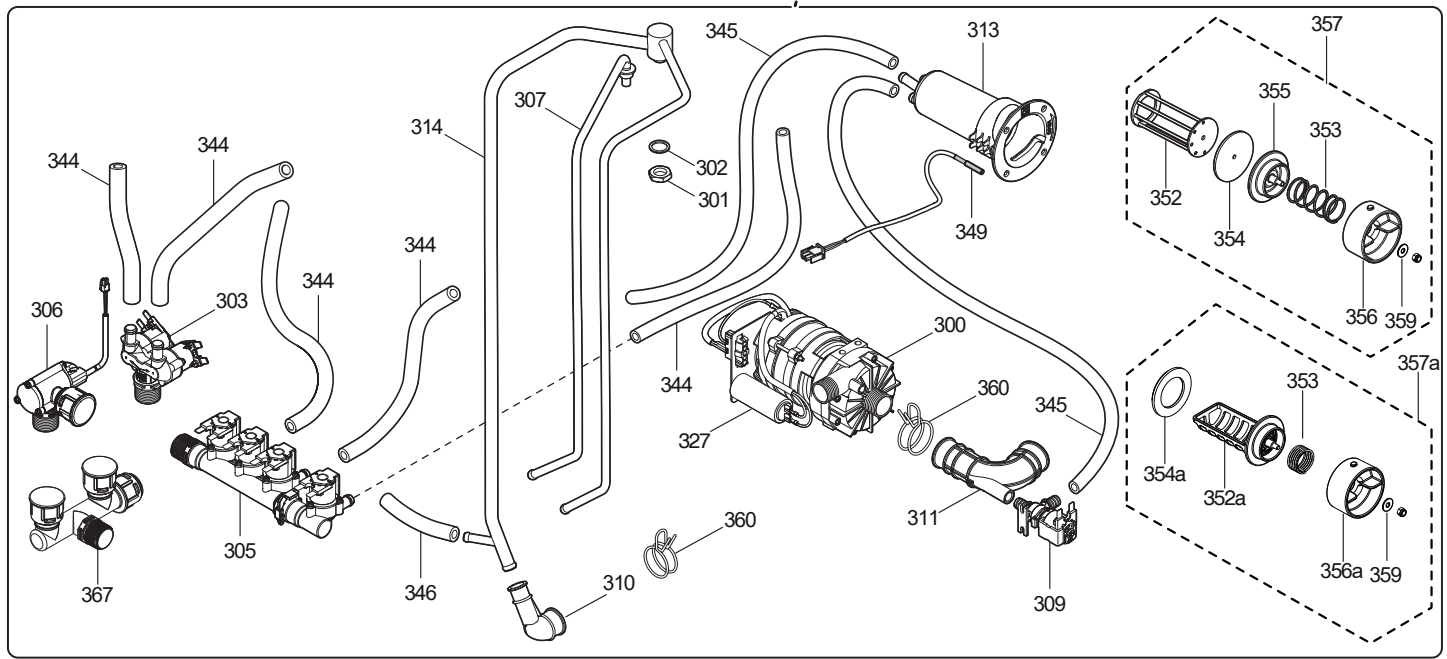
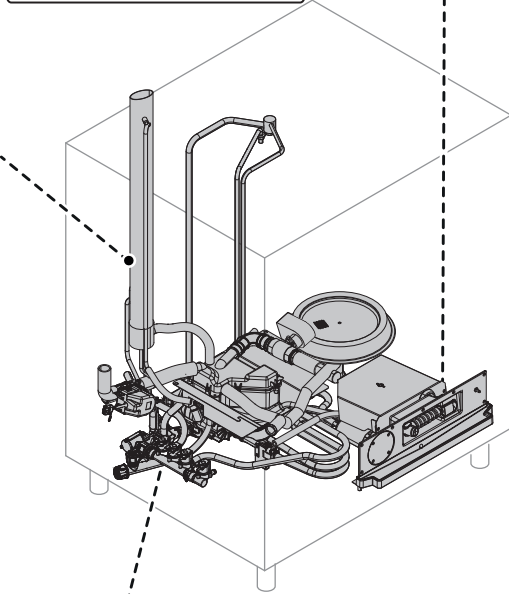
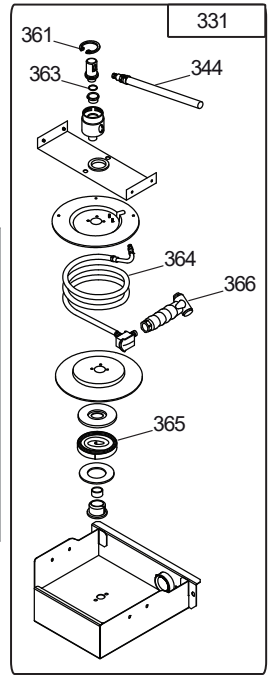
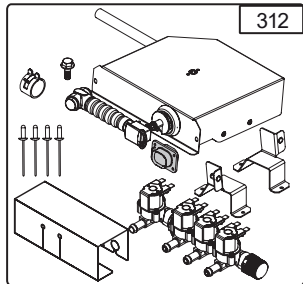
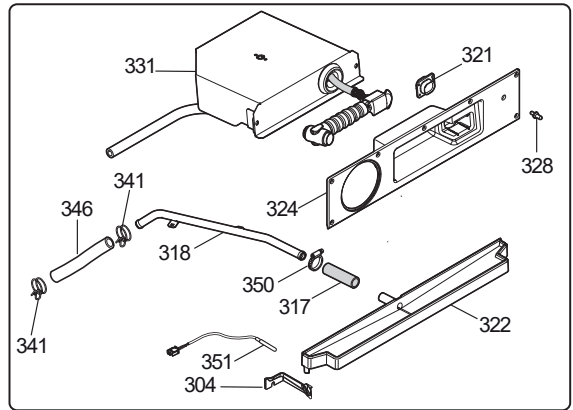
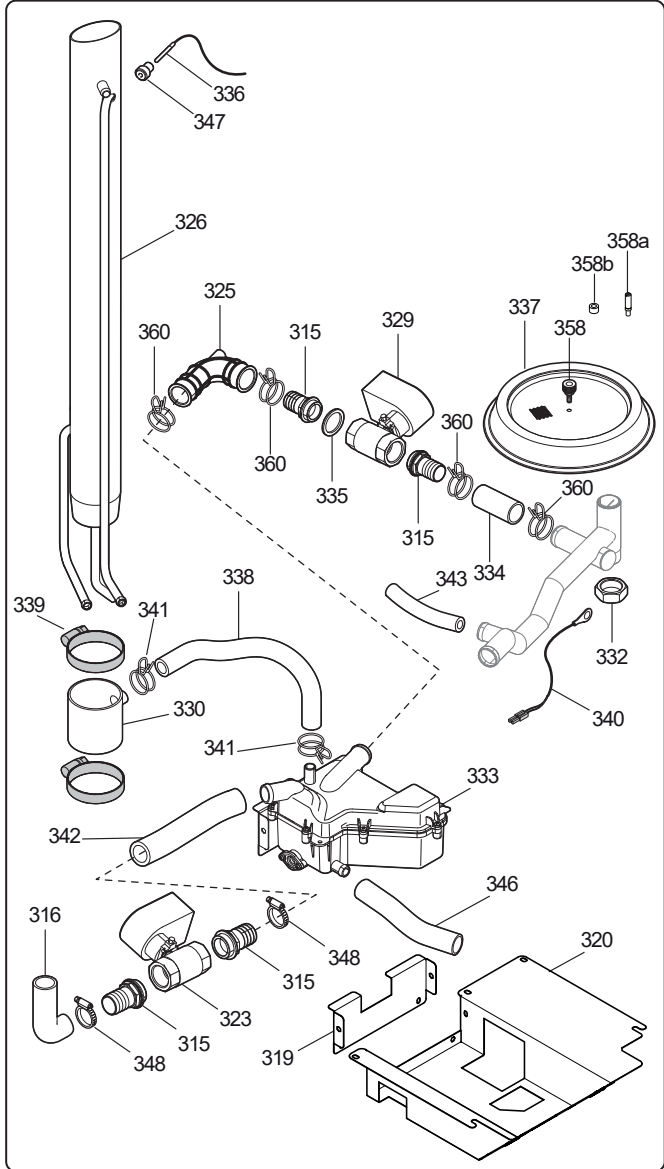
T2 = touch steam - double glass
T3 = touch steam - triple glass
C2 = touch convect – double glass
C3 = touch convect – triple glass
D2 = digital steam – double glass
D3 = digital steam – triple glass
V2 = digital convect – double glass
V3 = digital convect – triple glass

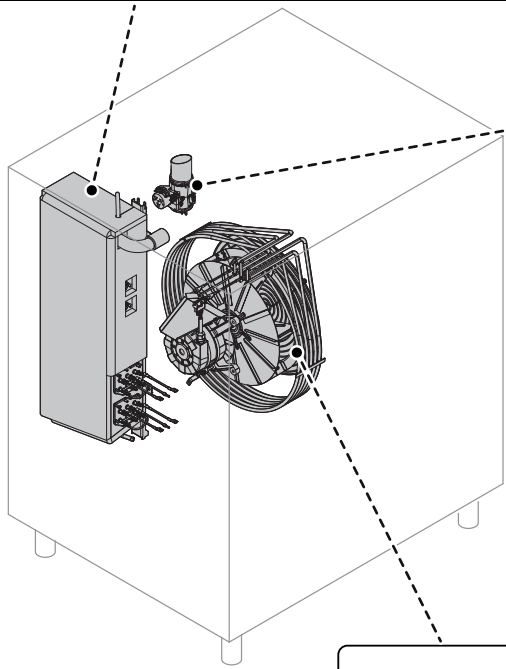
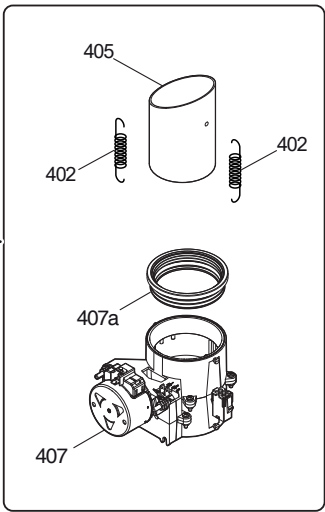
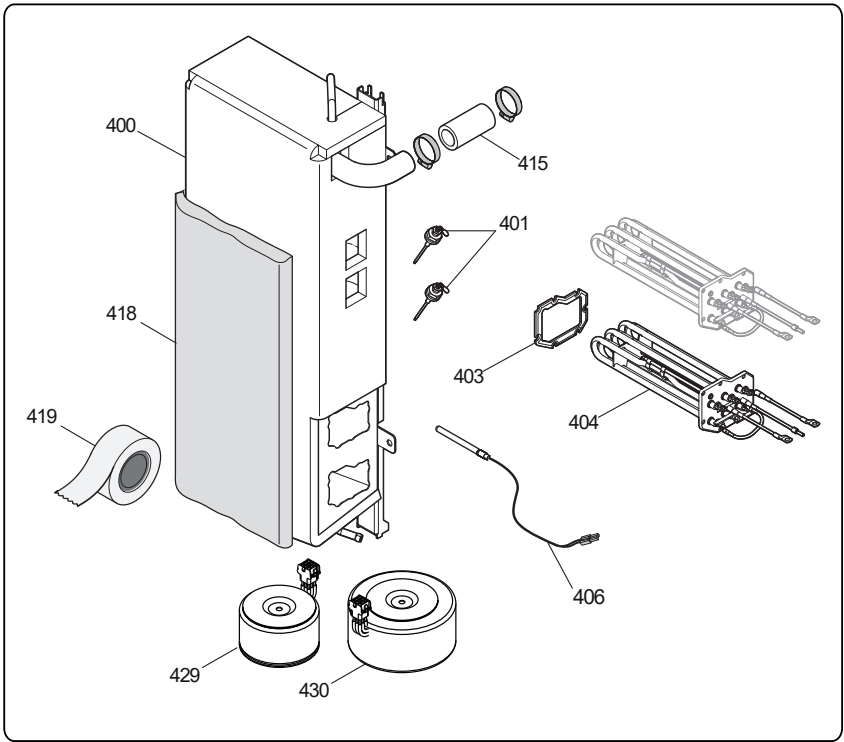
61 = 6 grids GN1/1
62 = 6 grids GN2/1
11 = 10 grids GN1/1
12 = 10 grids GN2/1
21 = 20 grids GN1/1
22 = 20 grids G21/1

COE = Combi Oven Electric









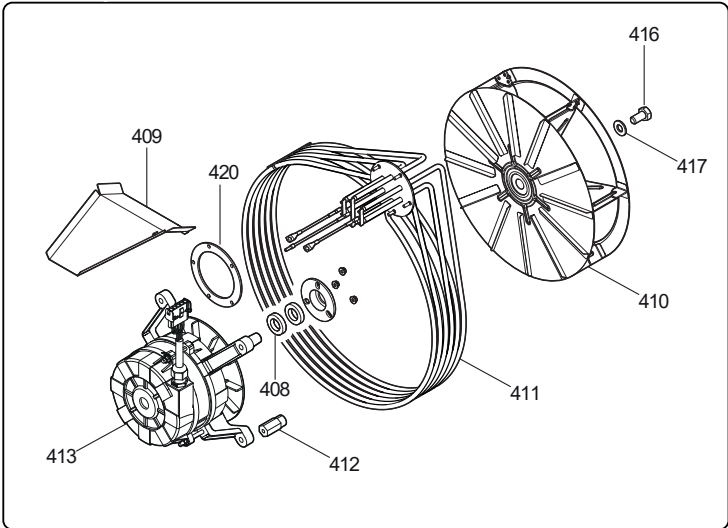
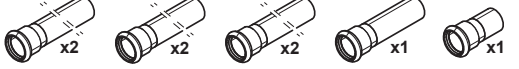
432 PLASTIC PIPES

mm 1000 mm 500 mm 250 mm 150
 Ø 50 mm Ø 50 mm Ø 50 mm Ø 50 mm



431 STEEL PIPES

mm 1000 mm 750 mm 500 mm 250 mm 150
 Ø 50 mm Ø 50 mm Ø 50 mm Ø 50 mm Ø 50 mm



SKYLINE								
Pos	Spare part Code	Factory code	Descrizione	Description	V	W & T	S	Ref./Notes
100	0CK103	503404P02	FIANCO SINISTRO 6 1/1	LEFT PANEL 6 1/1				a b c d e f g h up to 2020/12
100	0CK591	503404P03	FIANCO SINISTRO 6 1/1	LEFT PANEL 6 1/1				a b c d e f g h from 2020/13
100	0CK102	503404Q02	FIANCO SINISTRO 10 1/1	LEFT PANEL 10 1/1				q r s t u v up to 2020/12
100	0CK594	503404Q03	FIANCO SINISTRO 10 1/1	LEFT PANEL 10 1/1				q r s t u v from 2020/13
100	0CK104	503405A03	FIANCO SINISTRO 6 2/1	LEFT PANEL 6 2/1				i j k l m n o p
100	0CK227	503405B03	FIANCO SINISTRO 10 2/1	LEFT PANEL 10 2/1				w x y z a1 b1
101	0CK293	503404R03	SCHIENALE FORNO 6 1/1	BACK PANEL 6 1/1				a b c d e f g h up to 2020/12
101	0CK595	503404R04	SCHIENALE FORNO 6 1/1	BACK PANEL 6 1/1				a b c d e f g h from 2020/13 up to 2020/42
101	0CK664	50340B100	SCHIENALE FORNO 6 1/1	BACK PANEL 6 1/1				a b c d e f g h from 2020/43
101		50340AR01	SCHIENALE FORNO 6 1/1	BACK PANEL 6 1/1				a b c d e f g h Marine
101	0CK294	503404S03	SCHIENALE FORNO 10 1/1	BACK PANEL 10 1/1				q r s t u v up to 2020/12
101	0CK596	503404S04	SCHIENALE FORNO 10 1/1	BACK PANEL 10 1/1				q r s t u v from 2020/13 up to 2020/42
101	0CK665	50340B200	SCHIENALE FORNO 10 1/1	BACK PANEL 10 1/1				q r s t u v from 2020/43
101		50340AS01	SCHIENALE FORNO 10 1/1	BACK PANEL 10 1/1				q r s t u v Marine
101	0CK295	503405604	SCHIENALE FORNO 6 2/1	BACK PANEL 6 2/1				i j k l m n o p up to 2020/42
101	0CK662	50340AZ00	SCHIENALE FORNO 6 2/1	BACK PANEL 6 2/1				i j k l m n o p from 2020/43
101		50340AT01	SCHIENALE FORNO 6 2/1	BACK PANEL 6 2/1				i j k l m n o p Marine
101	0CK296	503405704	SCHIENALE FORNO 10 2/1	BACK PANEL 10 2/1				w x y z a1 b1 up to 2020/42
101	0CK663	50340B000	SCHIENALE FORNO 10 2/1	BACK PANEL 10 2/1				w x y z a1 b1 from 2020/43
101		50340AU01	SCHIENALE FORNO 10 2/1	BACK PANEL 10 2/1				w x y z a1 b1 Marine
102	0CK230	503404C03	COPERCHIO FORNO 6-10 1/1	TOP PANEL 6-10 1/1				a b c d e f g h q r s t u v
102	0CK229	503405D02	COPERCHIO FORNO 6-10 2/1	TOP PANEL 6-10 2/1				i j k l m n o p w x y z a1 b1
103	0C4234	806847803	CERNIERA SUPERIORE	UPPER HINGE	X	X		RIGHT HINGED
103	*	80540DX00	CERNIERA SUPERIORE PORTA REV	UPPER HINGE FOR REVERSE DOOR	X	X		LEFT HINGED
104	0CK071	543401S02	AMMORTIZZATORE VETRO INTERNO	INNER GLASS DUMPER		X		a b d e f h i j l m n p q s t v w y z b1
105	0CK319	830409802	MANIGLIA PORTA	DOOR HANDLE	X			ZANUSSI
106	0CK148	50440CX02	MOLLA FERMAVETRO	INNER GLASS STOPPER		X		
107	0C4092	806859903	NASELLO CHIUSURA 1-STEP	SINGLE STEP DOOR LATCH	X	X		
107	0C6010	806859101	NASELLO CHIUSURA 2-STEP	DOUBLE STEP DOOR LATCH	X	X		MARINE
108	0CK086	510400102	CERNIERA INFERIORE DESTRA PORTA	RIGHT LOWER HINGE	X	X		RIGHT HINGED
108	*	800401Y00	CERNIERA INFERIORE PORTA SINISTRA	LOWER HINGE FOR REVERSE DOOR	X	X		LEFT HINGED
109	0CK158	511400N01	POSIZIONAT. INF.CON FERMO-PORTA	DOOR POSITIONER WITH STOPPER		X		RIGHT HINGED
109	0CK354	511400R00	POSIZIONAT. INF.CON FERMO-PORTA	DOOR POSITIONER WITH STOPPER		X		LEFT HINGED

SKYLINE								
Pos	Spare part Code	Factory code	Descrizione	Description	V	W & T	S	Ref./Notes
110	0CK160	541401R00	PROTEZIONE CAVETTI LED	LED WIRING PROTECTION		X		
111	0CK143	835403C00	MECCANISMO CHIUSURA PORTA	CLOSING MECHANISM	X			
112	0CK297	548401U02	MANIGLIA PORTA	DOOR HANDLE	X			ELECTROLUX
113	0CK205	549400W01	VASCHETTA GN 1/1	FRONT DRIP TRAY GN 1/1		X		abcdefghijklmnop qrstuvwxyz
113	0CK204	549400X01	VASCHETTA GN 2/1	FRONT DRIP TRAY GN 2/1		X		abcdefghijklmnop xyzab1
114	0CK239	879402801	ASSIEME VETRO INTERNO 6 1/1	INNER GLASS ASSEMBLY 6 1/1	X	X		abcdefghijklmnop
114	0CK081	879402901	ASSIEME VETRO INTERNO 10 1/1	INNER GLASS ASSEMBLY 10 1/1	X	X		qrstuvwxyz
114	0CK238	879402A01	ASSIEME VETRO INTERNO 6 2/1	INNER GLASS ASSEMBLY 6 2/1	X	X		ijklmnop
114	0CK240	879402B01	ASSIEME VETRO INTERNO 10 2/1	INNER GLASS ASSEMBLY 10 2/1	X	X		wxyzab1
115	0CK222	543401V01	GUARNIZIONE CELLA-PORTA 6 1/1	DOOR GASKET 6 1/1	X	X		abcdefghijklmnop
115	0CK120	543401X01	GUARNIZIONE CELLA-PORTA 10 1/1	DOOR GASKET 10 1/1	X	X		qrstuvwxyz
115	0CK121	543401W01	GUARNIZIONE CELLA-PORTA 6 2/1	DOOR GASKET 6 2/1	X	X		ijklmnop
115	0CK223	543401Y01	GUARNIZIONE CELLA-PORTA 10 2/1	DOOR GASKET 10 2/1	X	X		wxyzab1
116	0CK171	83040BW02	SPILLONE MULTIPOINT 10 1/1 – 10 2/1	FOOD PROBE MULTIPOINT 10 1/1 – 10 2/1		X		qrstuvwxyz zab1
116	0CK172	83040CX01	SPILLONE MULTIPOINT 6 1/1 – 6 2/1	FOOD PROBE MULTIPOINT 6 1/1 – 6 2/1		X		abcdefghijklmnop ijklmnop
116	0CK173	83040BV01	SPILLONE SINGLE POINT 10 1/1 – 10 2/1	FOOD PROBE SINGLE POINT 10 1/1 – 10 2/1		X		qrstuvwxyz zab1
116	0CK174	83040CY01	SPILLONE SINGLE POINT 6 1/1 – 6 2/1	FOOD PROBE SINGLE POINT 6 1/1 – 6 2/1		X		abcdefghijklmnop ijklmnop
117	0CK176	503407301	SUPPORTO FILTRO	FILTER SUPPORT				
118	0CK226	549400U02	FILTRO ARIA	AIR FILTER		X		
119	0CK154	875403K00	PIEDE DI SERVIZIO INOX	SERVICE FOOT INOX				
119		875406R00	PIEDE DI SERVIZIO	SERVICE FOOT				MARINE
120	0CK076	870401W03	ASSIEME PORTATEGLIE 6 1/1	TRAY RACK 6 1/1				abcdefghijklmnop
120	0CK241	870401Y03	ASSIEME PORTATEGLIE 10 1/1	TRAY RACK 10 1/1				qrstuvwxyz
120	0CK078	870401X03	ASSIEME PORTATEGLIE 6 2/1	TRAY RACK 6 2/1				ijklmnop
120	0CK077	870401Z03	ASSIEME PORTATEGLIE 10 2/1	TRAY RACK 10 2/1				wxyzab1
120	*	875404P01	ASSIEME PORTATEGLIE 6 1/1	TRAY RACK 6 1/1				abcdefghijklmnop BAKERY
120	0CK552	0870402M01	ASSIEME PORTATEGLIE 6 1/1 MARINE	MARINE TRAY RACK 6 1/1				abcdefghijklmnop MARINE
120	0CK551	0870402L01	ASSIEME PORTATEGLIE 10 1/1 MARINE	MARINE TRAY RACK 10 1/1				qrstuvwxyz MARINE
120	0CK553	0870402N01	ASSIEME PORTATEGLIE 6 2/1 MARINE	MARINE TRAY RACK 6 2/1				ijklmnop MARINE
120	0CK554	0870402P01	ASSIEME PORTATEGLIE 10 2/1 MARINE	MARINE TRAY RACK 10 2/1				wxyzab1 MARINE
121	0CK331	548402700	COPERCHIETTO MANIGLIA ELUX	ELUX HANDLE COVER		X		ELECTROLUX
122	0CK220	500406801	MOLLETTA FERMATEGLIE	SPRING STOPPER		X		
123	0CK114	543402500	GUARNIZIONE ASPIRAZIONE ARIA	AIR INLET GASKET		X		
124	OCA756	516896402	DADO NASELLO	DOOR LATCH NUT		X		
125	0CK195	549401800	VALVOLA SCARICO VASCHETTA	CHECK VALVE		X		
126	0CK318	505406L02	FERMA TEGLIE POSTERIORE	TRAY STOPPER		X		abcdefghijklmnop ijklmnop
126	0CK101	505406N01	FERMA TEGLIE POSTERIORE	TRAY STOPPER		X		qrstuvwxyz zab1
127	0E1331	206004105	ROSETTA	WASHER		X		
128	0C3973	214014255	VITE M6X25	SCREW M6X25		X		
129	0CK082	805407P02	BARRA LED	LED BAR		X		
130	0CK335	878407202	PARETE DI ASPIRAZIONE 6 1/1	SUCTION WALL 6 1/1				abcdefghijklmnop
130	*	878407901	PARETE DI ASPIRAZIONE 6 1/1	SUCTION WALL 6 1/1				abcdefghijklmnop BAKERY

SKYLINE								
Pos	Spare part Code	Factory code	Descrizione	Description	V	W & T	S	Ref./Notes
130	0CK320	878403505	PARETE DI ASPIRAZIONE 10 1/1	SUCTION WALL 10 1/1				q r s t u v
130	*	878407B01	PARETE DI ASPIRAZIONE 10 1/1	SUCTION WALL 10 1/1				q r s t u v BAKEY
130	0CK153	878403705	PARETE DI ASPIRAZIONE 6 2/1	SUCTION WALL 6 2/1				i j k l m n o p
130	0CK338	878407801	PARETE DI ASPIRAZIONE 10 2/1	SUCTION WALL 10 2/1				w x y z a1 b1
131	0CK323	04P0187700	BOCCOLA IGUS 'IGLIDUR MCM-12-02'	BUSH IGUS 'IGLIDUR MCM-12-02'		X		
132	0CK347	0503404K04	FIANCO DESTRO	RIGHT SIDE PANEL				a b c d e f g h
132	0CK348	0504408304	FIANCO DESTRO	RIGHT SIDE PANEL				i j k l m n o p
132	0CK349	0503404L04	FIANCO DESTRO	RIGHT SIDE PANEL				q r s t u v
132	0CK350	0503405504	FIANCO DESTRO	RIGHT SIDE PANEL				w x y z a1 b1
133	0CK433	083040MQ02	KIT PORTA DESTRA 061 ELUX 2 VETRI	RIGHT DOOR KIT 2 GLASSES 6/1				a d e f h - ELUX
133	0CK445	083040N202	KIT PORTA DESTRA 061 ZAN 2 VETRI	RIGHT DOOR KIT 2 GLASSES 6/1				a d e f h - ZAN
133	0CK457	083040NF02	KIT PORTA DESTRA 061 TO BRAND 2 VETRI	RIGHT DOOR KIT 2 GLASSES 6/1				a d e f h - TO BRAND
133	0CK434	083040MR02	KIT PORTA DESTRA 061 ELUX 3 VETRI	RIGHT DOOR KIT 3 GLASSES 6/1				c g - ELUX
133	0CK446	083040N302	KIT PORTA DESTRA 061 ZAN 3 VETRI	RIGHT DOOR KIT 3 GLASSES 6/1				c g - ZAN
133	0CK458	083040NG02	KIT PORTA DESTRA 061 TO BRAND 3 VETRI	RIGHT DOOR KIT 3 GLASSES 6/1				c g - TO BRAND
133	0CK435	083040MS02	KIT PORTA DESTRA 062 ELUX 2 VETRI	RIGHT DOOR KIT 2 GLASSES 6/2				i j l m n p - ELUX
133	0CK447	083040N402	KIT PORTA DESTRA 062 ZAN 2 VETRI	RIGHT DOOR KIT 2 GLASSES 6/2				i j l m n p - ZAN
133	0CK459	083040NH02	KIT PORTA DESTRA 062 TO BRAND 2 VETRI	RIGHT DOOR KIT 2 GLASSES 6/2				i j l m n p - TO BRAND
133	0CK436	083040MT02	KIT PORTA DESTRA 062 ELUX 3 VETRI	RIGHT DOOR KIT 3 GLASSES 6/2				k o - ELUX
133	0CK448	083040N502	KIT PORTA DESTRA 062 ZAN 3 VETRI	RIGHT DOOR KIT 3 GLASSES 6/2				k o - ZAN
133	0CK460	083040NJ02	KIT PORTA DESTRA 062 TO BRAND 3 VETRI	RIGHT DOOR KIT 3 GLASSES 6/2				k o - TO BRAND
133	0CK437	083040MU02	KIT PORTA DESTRA 101 ELUX 2 VETRI	RIGHT DOOR KIT 2 GLASSES 10/1				q s t v - ELUX
133	0CK449	083040N602	KIT PORTA DESTRA 101 ZAN 2 VETRI	RIGHT DOOR KIT 2 GLASSES 10/1				q s t v - ZAN
133	0CK461	083040NK02	KIT PORTA DESTRA 101 TO BRAND 2 VETRI	RIGHT DOOR KIT 2 GLASSES 10/1				q s t v - TO BRAND
133	0CK438	083040MV02	KIT PORTA DESTRA 101 ELUX 3 VETRI	RIGHT DOOR KIT 3 GLASSES 10/1				r u - ELUX
133	0CK450	083040N702	KIT PORTA DESTRA 101 ZAN 3 VETRI	RIGHT DOOR KIT 3 GLASSES 10/1				r u - ZAN
133	0CK462	083040NL02	KIT PORTA DESTRA 101 TO BRAND 3 VETRI	RIGHT DOOR KIT 3 GLASSES 10/1				r u - TO BRAND
133	0CK439	083040MW02	KIT PORTA DESTRA 102 ELUX 2 VETRI	RIGHT DOOR KIT 2 GLASSES 10/2				w y z b1 - ELUX
133	0CK451	083040N802	KIT PORTA DESTRA 102 ZAN 2 VETRI	RIGHT DOOR KIT 2 GLASSES 10/2				w y z b1 - ZAN
133	0CK463	083040NM02	KIT PORTA DESTRA 102 TO BRAND 2 VETRI	RIGHT DOOR KIT 2 GLASSES 10/2				w y z b1 - TO BRAND
133	0CK440	083040MX02	KIT PORTA DESTRA 102 ELUX 3 VETRI	RIGHT DOOR KIT 3 GLASSES 10/2				x a1 - ELUX
133	0CK452	083040N902	KIT PORTA DESTRA 102 ZAN 3 VETRI	RIGHT DOOR KIT 3 GLASSES 10/2				x a1 - ZAN
133	0CK464	083040NN02	KIT PORTA DESTRA 102 TO BRAND 3 VETRI	RIGHT DOOR KIT 3 GLASSES 10/2				x a1 - TO BRAND
133	0CK469	083040LW02	KIT PORTA SINISTRA 061 ELUX CKM 2V	LEFT DOOR KIT 2 GLASSES 6/1				e - ELUX
133	0CK425	083040M403	KIT PORTA SINISTRA 061 ZAN CKM 2V	LEFT DOOR KIT 2 GLASSES 6/1				e - ZAN
133	0CK483	083040MC02	KIT PORTA SINISTRA 061 TO BRAND CKM 2V	LEFT DOOR KIT 2 GLASSES 6/1				e - TO BRAND
133	0CK470	083040LX02	KIT PORTA SINISTRA 061 ELUX CKM 3V	LEFT DOOR KIT 3 GLASSES 6/1				g - ELUX
133	0CK477	083040M502	KIT PORTA SINISTRA 061 ZAN CKM 3V	LEFT DOOR KIT 3 GLASSES 6/1				g - ZAN
133	0CK484	083040MD02	KIT PORTA SINISTRA 061 TO BRAND CKM 3V	LEFT DOOR KIT 3 GLASSES 6/1				g - TO BRAND
133	0CK471	083040LY02	KIT PORTA SINISTRA 062 ELUX CKM 2V	LEFT DOOR KIT 2 GLASSES 6/2				m - ELUX
133	0CK478	083040M602	KIT PORTA SINISTRA 062 ZAN CKM 2V	LEFT DOOR KIT 2 GLASSES 6/2				m - ZAN
133	0CK485	083040MF02	KIT PORTA SINISTRA 062 TO BRAND CKM 2V	LEFT DOOR KIT 2 GLASSES 6/2				m - TO BRAND

SKYLINE								
Pos	Spare part Code	Factory code	Descrizione	Description	V	W & T	S	Ref./Notes
133	0CK472	083040LZ02	KIT PORTA SINISTRA 062 ELUX CKM 3V	LEFT DOOR KIT 3 GLASSES 6/2				o - ELUX
133	0CK479	083040M702	KIT PORTA SINISTRA 062 ZAN CKM 3V	LEFT DOOR KIT 3 GLASSES 6/2				o - ZAN
133	0CK486	083040MG02	KIT PORTA SINISTRA 062 TO BRAND CKM 3V	LEFT DOOR KIT 3 GLASSES 6/2				o - TO BRAND
133	0CK473	083040M002	KIT PORTA SINISTRA 101 ELUX CKM 2V	LEFT DOOR KIT 2 GLASSES 10/1				t - ELUX
133	0CK426	083040M801	KIT PORTA SINISTRA 101 ZAN CKM 2V	LEFT DOOR KIT 2 GLASSES 10/1				t - ZAN
133	0CK487	083040MH02	KIT PORTA SINISTRA 101 TO BRAND CKM 2V	LEFT DOOR KIT 2 GLASSES 10/1				t - TO BRAND
133	0CK474	083040M102	KIT PORTA SINISTRA 101 ELUX CKM 3V	LEFT DOOR KIT 3 GLASSES 10/1				u - ELUX
133	0CK480	083040M902	KIT PORTA SINISTRA 101 ZAN CKM 3V	LEFT DOOR KIT 3 GLASSES 10/1				u - ZAN
133	0CK488	083040MJ02	KIT PORTA SINISTRA 101 TO BRAND CKM 3V	LEFT DOOR KIT 3 GLASSES 10/1				u - TO BRAND
133	0CK475	083040M202	KIT PORTA SINISTRA 102 ELUX CKM 2V	LEFT DOOR KIT 2 GLASSES 10/2				z - ELUX
133	0CK481	083040MA02	KIT PORTA SINISTRA 102 ZAN CKM 2V	LEFT DOOR KIT 2 GLASSES 10/2				z - ZAN
133	0CK489	083040MK02	KIT PORTA SINISTRA 102 TO BRAND CKM 2V	LEFT DOOR KIT 2 GLASSES 10/2				z - TO BRAND
133	0CK476	083040M302	KIT PORTA SINISTRA 102 ELUX CKM 3V	LEFT DOOR KIT 3 GLASSES 10/2				a1 - ELUX
133	0CK482	083040MB02	KIT PORTA SINISTRA 102 ZAN CKM 3V	LEFT DOOR KIT 3 GLASSES 10/2				a1 - ZAN
133	0CK490	083040ML02	KIT PORTA SINISTRA 102 TO BRAND CKM 3V	LEFT DOOR KIT 3 GLASSES 10/2				a1 - TO BRAND
134	0CK356	0855408601	ASS. VETRO INTERMEDIO PORTA	DOOR MIDDLE GLASS ASS.Y				c g
134	0CK357	0855408701	ASS. VETRO INTERMEDIO PORTA	DOOR MIDDLE GLASS ASS.Y				r u
134	0CK358	0855409801	ASS. VETRO INTERMEDIO PORTA	DOOR MIDDLE GLASS ASS.Y				k o
134	0CK359	0855409901	ASS. VETRO INTERMEDIO PORTA	DOOR MIDDLE GLASS ASS.Y				x a1
135	0CK351	0543403D00	ASS. GUARNIZIONE VETRO INTERMEDIO	MIDDLE GLASS GASKET ASS.Y				c g
135	0CK352	0543403F00	ASS. GUARNIZIONE VETRO INTERMEDIO	MIDDLE GLASS GASKET ASS.Y				r u
135	0CK353	0543403G00	ASS. GUARNIZIONE VETRO INTERMEDIO	MIDDLE GLASS GASKET ASS.Y				k o
135	0CK355	0543403H00	ASS. GUARNIZIONE VETRO INTERMEDIO	MIDDLE GLASS GASKET ASS.Y				x a1
137	0CK269	083040BX00	SONDA CELLA	CAVITY PROBE				
139	0CK654	541403200	PROTEZIONE VALVOLA VASCHETTA	CHECK VALVE PROTECTION				
140	0CK671	051440A901	PERNO PARETE ASPIRAZIONE E SUPPORTO TEGLIE	SUCTION WALL PIN				
141	0CK672	0514404V03	BOCCOLA INF. PARETE ASPIRAZIONE	SUCTION WALL LOWER BUSH				
142	0CK683		GRUPPO MOBILE DI AGGANCIO	LOCKING MECHANISM				
143	0CK083	0514404Y01	BICONO TENUTA TERMOCOPPIA	THERMOCOUPLE BICONICAL SEALING				
144	0CK691	0800401B02	CERNIERA X VETRO INTERNO PORTE	DOOR INNER GLASS HINGE				

SKYLINE								
Pos	Spare part Code	Factory code	Descrizione	Description	V	W & T	S	Ref./Notes
200	0CK161	541401D01	PROTEZIONE SCHEDA USER	USER INTERFACE COVER				
201	0CK037	00	CAVO PROLUNGA USB	USB PROLONG		X		abcefgijk mnoqrtuw xza1
201		638405P00	CAVO PROLUNGA USB	USB PROLONG		X		d h l p s v y b1
202	0CK041	546400V01	SPORTELLINO USB	USB WINDOW		X		
203	0CK040	543401N01	CRUSCOTTO PLASTICA TOUCH	PLASTIC FRAME TOUCH				abcefgijk mnoqrtuw xza1
204	0CK144	541401F02	MEMBRANA TOUCH ELECTROLUX CON BOILER	ELECTROLUX TOUCH MEMBRANE WITH BOILER		X		efgmnotu za1
204	0CK298	541402501	MEMBRANA TOUCH ELECTROLUX SENZA BOILER	ELECTROLUX TOUCH MEMBRANE WITHOUT BOILER		X		abcijkqr wx
204	0CK299	541401U03	MEMBRANA TOUCH ZANUSSI CON BOILER	ZANUSSI TOUCH MEMBRANE WITH BOILER		X		efgmnotu za1
204	0CK300	541402703	MEMBRANA TOUCH ZANUSSI SENZA BOILER	ZANUSSI TOUCH MEMBRANE WITHOUT BOILER		X		abcijkqr wx
204	0CK332	541401V01	MEMBRANA TOUCH TO BRAND	TO BRAND TOUCH MEMBRANE		X		abcefgijk mnoqrtuw xza1
204	*	541402S00	MEMBRANA TOUCH DIAMOND	DIAMOND TOUCH MEMBRANE		X		abcefgijk mnoqrtuw xza1
205	0CK070	675401U04	ACU -SCHEDA POWER	ACU-POWER BOARD	X			
206	0CK034	673400900	DISPLAY 7"	DISPLAY 7"	X			abcefgijk mnoqrtuw xza1
207	0CK033	675401G00	SCHEDA ON/OFF	ON/OFF BOARD	X	X		
208	0CK036	675401J01	SCHEDA BRIDGE	BRIDGE BOARD	X			abcefgijk mnoqrtuw xza1
*	0CK674	675403M00	MICROSD HC 8GB CL4 SANDISK	MICROSD HC 8GB CL4 SANDISK				
209	0CK039	655400000	ALTOPARLANTE	SPEAKER		X		abcefgijk mnoqrtuw xza1
210	0CK145	640400300	MICRO INTERRUETTORE	MICRO SWITCH		X		
211	0CK199	682400G00	VENTILATORE RAFFREDDAMENTO	COOLING FAN		X		
212	0CK184	646400H00	TERMOSTATO SICUREZZA CELLA	CAVITY SAFETY THERMOSTAT	X			
213	0CK183	646400G00	TERMOSTATO SICUREZZA BOILER	BOILER SAFETY THERMOSTAT	X			
214	0CK167	675401S01	SMPS ALIM. SWITCHING 24V	SWITCHING FEEDER 24V	X			Up to 2020/42
214a	0CK643	675403K00	SMPS ALIM. SWITCHING 24V	SWITCHING FEEDER 24V	X			From 2020/43
215	0CK166	675402Z00	SMPS ALIM. SWITCHING 12V	SWITCHING FEEDER 12V	X			Up to 2020/42
215a	096342	648R11400	SMPS ALIM. SWITCHING 12V	SWITCHING FEEDER 12V	X			From 2020/43
216	0CK030	546400U01	SUPPORTO USB	USB CAGE				
217	0CK225	694400L00	FILTRO TOROIDALE	TOROIDAL FILTER				abcde fgh qrstuv
217	0CK259	694400M00	FILTRO TOROIDALE	TOROIDAL FILTER				ijklmnopw xyza1b1
218	0CK168	657400200	SONDA LAMBDA	LAMBDA PROBE		X		
219	0CK005	648400V00	RELE' STATO SOLIDO 90A	SOLID STATE RELAY 90A	X			ijklmnop wxyz a1 b1
219	0CK004	648400U00	RELE' STATO SOLIDO 50A	SOLID STATE RELAY 50A				abcde fgh qrstuv
220	0CK208	646400C01	SONDA NTC DISSIPATORE CELLA	NTC PROBE HEAT SINK-CAVITY	X	X		
222	0C3732	167098088	PASTIGLIA TERMICA	THERMAL PAD		X		

SKYLINE							
Pos	Spare part Code	Factory code	Descrizione	Description	V	W & T	S Ref./Notes
223	0CK035	675401H00	SCHEDA CORE	CORE BOARD	X		abcdefghijklmnopqrstuwxza1
223		675403L00	SCHEDA CORE	CORE BOARD	X		abcdefghijklmnopqrstuwxza1 - Peer to peer
224	0CK107	694400N00	FILTRO TRIFASE	3-PHASE FILTER		X	
225	0CK424	675403H00	INVERTER	INVERTER	X		
226	0CK660	694400Y00	FILTRO EMC	EMC FILTER		X	
226	0CK260	694400S00	FILTRO EMC	EMC FILTER		X	AUS/MARINE
227	088267	648722900	RELE'	RELAY	X	X	
228	0CK209	646400D01	SONDA NTC DISSIPATORE BOILER	NTC PROBE HEAT SINK-BOILER	X	X	
229	0L3360	63962B400	PORTA FUSIBILI (PEZZO SINGOLO)	FUSE HOLDER (SINGLE PIECE)	X	X	EU
229	0CK406	63962D800	PORTA FUSIBILI (PEZZO SINGOLO)	FUSE HOLDER (SINGLE PIECE)	X	X	USA
229		652400H0000	PORTA FUSIBILI (PEZZO SINGOLO)	FUSE HOLDER (SINGLE PIECE)	X	X	MARINE
230	0CK218	638404L00	MORSETTO PHOENIX PT6 (PEZZO SINGOLO)	PHOENIX CLAMP PT6 (SINGLE PIECE)	X	X	abcdefghijklmnopqrstuwxza1 - all 400-380-415-460-480 V
230	0CK249	638404M00	MORSETTO PHOENIX PT16(PEZZO SINGOLO)	PHOENIX CLAMP PT16 (SINGLE PIECE)	X	X	ijklmnopqrstuwxza1 b1 - all 200-208-220-230-240 V
231	0CK231	648400W00	CONTATTORE K318-ND	CONTACTOR K318-ND	X	X	abcdefghijklmnopqrstuwxza1 400-460-480 V
231	0CK290	648400X00	CONTATTORE K3 32 A00	CONTACTOR K3 32 A00	X	X	abcdefghijklmnopqrstuwxza1 h - 200-208-230 V ijklmnop - 400-460-480 V
231	0CK291	648400Y00	CONTATTORE K3 40 A00	CONTACTOR K3 40 A00	X	X	abcdefghijklmnopqrstuwxza1 a1 b1 - 200-208-230 V wxyz a1 b1 - 400 V
232	0CK219	639401501	MORSETTIERA 10 mm2 3F+N+F	MAIN TERMINAL BLOCK 10 mm2 3F+N+F			abcdefghijklmnopqrstuwxza1 400 V
232	0CK305	639401401	MORSETTIERA 16 mm2 3F+N+F	MAIN TERMINAL BLOCK 16 mm2 3F+N+F			ijklmnop - 400 V
232	0CK306	639401801	MORSETTIERA 35 mm2 3F+N+F	MAIN TERMINAL BLOCK 35 mm2 3F+N+F			wxyz a1 b1 - 400 V
232	0CK412	0639401N00	MORSETTIERA 70 mm2	MAIN TERMINAL BLOCK 70 mm2			wxyz a1 b1 - 208V
232	0CK413	0639401R00	MORSETTIERA 50 mm2	MAIN TERMINAL BLOCK 50 mm2			abcdefghijklmnopqrstuwxza1 ijklmnopqr - 208V
232	0CK414	0639401U00	MORSETTIERA 10 mm2 3F+PE	MAIN TERMINAL BLOCK 10 mm2 3F+PE			abcdefghijklmnopqrstuwxza1 460-480V
232	0CK415	0639401V00	MORSETTIERA 16 mm2	MAIN TERMINAL BLOCK 16 mm2			ijklmnop - 460-480V
232	0CK416	0639401W00	MORSETTIERA 35 mm2	MAIN TERMINAL BLOCK 35 mm2			wxyz a1 b1 - 460-480V
232	0CK016	0639401P00	MORSETTIERA 10 mm2 3F+F(PE)	MAIN TERMINAL BLOCK 10 mm2 3F+F(PE)			ade gh 220-240V

SKYLINE							
Pos	Spare part Code	Factory code	Descrizione	Description	V	W & T	S Ref./Notes
232	0CK018	639401T01	MORSETTIERA 35 mm2 3F+F	MAIN TERMINAL BLOCK 35 mm2 3F+F			w x y z a1 b1 - 220-240V
232	0CK017	0639401S00	MORSETTIERA 35 mm2	MAIN TERMINAL BLOCK 35 mm2			q r s t u v 220-240V i j k l m n o p w x y z a1 b1 380/400/415/ 440/460/480
232		639402300	MORSETTIERA 16 mm2 3F+F	MAIN TERMINAL BLOCK 16 mm2 3F+F			i j k l m n o p 380/400/415/ 440/460/480
233	0CK080	830409103	ASSIEME USER TOUCH	USER INTERFACE ASSEMBLY TOUCH	X		a b c e f g i j k m n o q r t u w x z a1 - Up to 2020/42
233	0CK661	83040PG00	ASSIEME USER TOUCH	USER INTERFACE ASSEMBLY TOUCH	X		a b c e f g i j k m n o q r t u w x z a1 - From 2020/43
233	0CK685	83040PL00	ASSIEME USER TOUCH	USER INTERFACE ASSEMBLY TOUCH	X		a b c e f g i j k m n o q r t u w x z a1 - Peer to peer
234	0CK079	830409604	ASSIEME USER DIGIT	USER INTERFACE ASSEMBLY DIGIT	X		d h l p s v y b1
235	0C5239	652806000	FUSIBILE 5X20 4A ST520240	FUSE 5X20 4A ST520240	X	X	EU - US 480V
235	0C1480	652803300	FUSIBILE 5X20 6,3A T	FUSE 5X20 6,3A T	X	X	EU - US
235	0C2230	652805100	FUSIBILE 6,3X32 FAST 6,3A 500V	FUSE 6,3X32 FAST 6,3A 500V	X	X	US 480V
235		0652400J00	FUSIBILE T 4.0A 5X20 250V CERAMICO	FUS T 4.0A 5X20 250V CERAMICO			440V MARINE
235		0652400L00	FUSIBILE T 6.3A 6.3X32 500V CERAMICO	FUSE T 6.3A 6.3X32 500V CERAMICO			440V MARINE
235	0L3435	0652608D00	FUSIBILE CERAMICO 5X20 250V 6.3 A T RITARDATO	FUSE CERAMICO 5X20 250V 6.3 A T RETARDED			440V MARINE
236	0CK032	514405001	MOLLA SPORTELLINO	SPRING		X	
237	0CK038	638404F02	CAVETTO RECOVERY	RECOVERY CABLE		X	
238	0CK292	541401G02	MEMBRANA DIGIT ELECTROLUX CON BOILER	ELECTROLUX DIGIT MEMBRANE WITH BOILER		X	d l s y
238	0CK301	541402602	MEMBRANA DIGIT ELECTROLUX SENZA BOILER	ELECTROLUX DIGIT MEMBRANE WITHOUT BOILER		X	h p v b1
238	0CK302	541401W03	MEMBRANA DIGIT ZANUSSI CON BOILER	ZANUSSI DIGIT MEMBRANE WITH BOILER		X	d l s y
238	0CK303	541402804	MEMBRANA DIGIT ZANUSSI SENZA BOILER	ZANUSSI DIGIT MEMBRANE WITHOUT BOILER		X	h p v b1
238	0CK333	541401X02	MEMBRANA DIGIT TO BRAND CON BOILER	TO BRAND DIGIT MEMBRANE WITH BOILER		X	d l s y
238	0CK334	541402A02	MEMBRANA DIGIT TO BRAND SENZA BOILER	TO BRAND DIGIT MEMBRANE WITHOUT BOILER		X	h p v b1
238	*	541402U01	MEMBRANA DIGIT DIAMOND CON BOILER	DIAMOND DIGIT MEMBRANE WITH BOILER		X	d l s y
238	*	541402T01	MEMBRANA DIGIT DIAMOND SENZA BOILER	DIAMOND DIGIT MEMBRANE WITHOUT BOILER		X	h p v b1
239	0CK043	543401Q01	CRUSCOTTO PLASTICA DIGIT	PLASTIC FRAME DIGIT			d h l p s v y b1
240	0CK044	675401P02	SCHEDA USER DIGIT	DIGIT USER BOARD	X		d h l p s v y b1
241	0CK042	657400101	SCHEDA NIU	NIU BOARD			
242	0CK045	675401Q00	CAVETTO ON/OFF TOUCH	ON/OFF CABLE TOUCH		X	a b c e f g i j k m n o q r t u w x z a1
242	0CK329	675402K00	CAVETTO ON/OFF DIGIT	ON/OFF CABLE DIGIT		X	d h l p s v y b1
243	0CK254	646400A00	SONDA NTC	NTC PROBE	X	X	
244	0CK330	675401L00	CAVETTO CONNESSIONE SPEAKER	WIRING SPEAKER		X	a b c e f g i j k m n o q r t u w x z a1

SKYLINE

Pos	Spare part Code	Factory code	Descrizione	Description	V	W & T	S	Ref./Notes
245	0CK622	546401700	TASTO PER TASTIERA DIGIT 13X13 H11.4MM	LIGHTED PUSH-BUTTON 13X13 H11.4MM				d h l p s v y b1
246	0CB910	638406L00	CAVO ETHERNET RJ45 M-M CAT.5E SCHERMATO L=1000MM	ETHERNET CABLE RJ45 M-M CAT.5E L=1000MM				a b c e f g i j k m n o q r t u w x z a1 Peer to peer
247	0CB911	639402900	GIUNTO RJ45 - VS-08-BU-RJ45/BU - PHOENIX 1689064	CONNECTION RJ45 - VS-08-BU-RJ45/BU - PHOENIX 1689064				a b c e f g i j k m n o q r t u w x z a1 Peer to peer
248	0CK668	546813700	TASTO PER TASTIERA DIGIT 21X21 H11.4MM	LIGHTED PUSH-BUTTON 21X21 H11.4MM				d h l p s v y b1
249	0CB909	0544403Q00	CONTRODADO M25 ELEKTROZUBEHOR 171541	NUT M25 ELEKTROZUBEHOR 171541				a b c e f g i j k m n o q r t u w x z a1 Peer to peer
250	0CB907	050440HD00	SUPPORTO CONNETTORE RJ45 PAS-SANTE	CONNECTOR SUPPORT RJ45				a b c e f g i j k m n o q r t u w x z a1 Peer to peer
251	0CB908	0544403P00	PRESSACAVO RJ45 M25 ELEKTROZUBEHOR 197939	CABLE GLAND RJ45 M25 ELEKTROZUBEHOR 197939				a b c e f g i j k m n o q r t u w x z a1 Peer to peer

SKYLINE								
Pos	Spare part Code	Factory code	Descrizione	Description	V	W & T	S	Ref./Notes
300	0CK418	686400304	POMPA LAVAGGIO 220-240V 50/60HZ	CLEANING PUMP 220-240V 50/60HZ	X	X		
301	0C4202	516896000	CONTRODADO	NUT			X	
302	0C4201	543841400	GUARNIZIONE IN RAME	COPPER GASKET			X	
303	0CK285	83040HS00	ASS. ELETTROVALVOLA	SOLENOID VALVE ASSEMBLY			X	d e f g l m n o s t u y z a 1
303	0CK013	83040HU00	ASS. ELETTROVALVOLA	SOLENOID VALVE ASSEMBLY			X	a b c h i j k p q r v w x b 1
304	0CK182	541401S01	TEGOLO RACCOGLI CONDENZA	FRONT GUTTER				
305	0CK283	83040HL00	GRUPPO ELETTROVALVOLE RM1400	SOLENOID VALVES GROUP RM1400			X	- USA all - e f g m n o t u z a 1 - d l s y P85 - I ELUX 415- 440V
305	0CK284	83040HM00	GRUPPO ELETTROVALVOLE RM1300	SOLENOID VALVES GROUP RM1300			X	- a b c h i j k p q r v w x b 1 (except USA) - d l s y (except P85) - d s y ELUX 415-440V
306	0CK282	83040HK00	FLUSSIMETRO	FLOW METER ASSEMBLY			X	
307	0CK128	855405L02	INGRESSO UMIDIFICATORE 6 1/1	HUMIDIFIER INLET 6 1/1				a b c d e f g h
307	0CK126	855406701	INGRESSO UMIDIFICATORE 10 1/1	HUMIDIFIER INLET 10 1/1				q r s t u v
307	0CK129	855405M02	INGRESSO UMIDIFICATORE 6 2/1	HUMIDIFIER INLET 6 2/1				i j k l m n o p
307	0CK127	855406801	INGRESSO UMIDIFICATORE 10 2/1	HUMIDIFIER INLET 10 2/1				w x y z a 1 b 1
309	0CK228	696400L01	ELETTROVALVOLA.	SOLENOID VALVE			X	
310	0CK221	544401G03	MANICOTTO MANDATA POMPA	PUMP EXIT MANIFOLD			X	
311	0CK137	544401F03	MANICOTTO ASPIRAZIONE POMPA	PUMP INLET MANIFOLD			X	
312	0CK616	83040NZ00	KIT DOCCETTA INTEGRATA	INTEGRATED SHOWER KIT				a,b,c,d,h,i,j,k, l,p,q,r,s,v,w,x, y,b1
313	0CK087	541402F01	CILINDRO PASTIGLIE	CYLINDER FOR TABS			X	
314	0CK233	855403M06	CONDUTTURE CLEANING SYSTEM 6 1/1	CLEANING SYSTEM PIPING 6 1/1				a b c d e f g h
314	0CK235	855403N07	CONDUTTURE CLEANING SYSTEM 10 1/1	CLEANING SYSTEM PIPING 10 1/1				q r s t u v
314	0CK232	855403P06	CONDUTTURE CLEANING SYSTEM 6 2/1	CLEANING SYSTEM PIPING 6 2/1				i j k l m n o p
314	0CK234	855403Q07	CONDUTTURE CLEANING SYSTEM 10 2/1	CLEANING SYSTEM PIPING 10 2/1				w x y z a 1 b 1
315	0CK157	514F02U00	PORTAGOMMA	HOSE FITTING			X	
316	0CK141	544402P00	MANICOTTO SCARICO BOILER	BOILER DRAIN MANIFOLD			X	
317	0CK207	544401A01	TUBO SCARICO CONDENZA	CONDENSATE DRAIN HOSE			X	
318	0CK074	805407U01	ASSIEME CONDUTTURA SCARICO CONDENZA	CONDENSATE DRAIN PIPE				
319	0CK321	800404000	COPERTURA POSTERIORE CARTER	CARTER BACK COVER				
319	0CK680	800404700	COPERTURA POSTERIORE CARTER	CARTER BACK COVER				Marine
320	0CK236	800403Z00	CARTER COPERTURA FONDO	CARTER BOTTOM COVER				
320	0CK681	800404600	CARTER COPERTURA FONDO	CARTER BOTTOM COVER				Marine
321	0CK178	546400W01	SUPPORTO SCORRIMENTO DOCCETTA	SHOWER HOSE SUPPORT SLIPPING			X	
322	0CK203	542400001	VASCHETTA RACCOGLI CONDENZA GN 1/1	FRONT DRIP TRAY GN 1/1			X	a b c d e f g h q r s t u v
322	0CK202	542400101	VASCHETTA RACCOGLI CONDENZA GN 2/1	FRONT DRIP TRAY GN 2/1			X	i j k l m n o p w x y z a 1 b 1
323	0CB250	689400001	VALVOLA SCARICO BOILER	BOILER DRAIN VALVE	X	X		EU
323	0CB251	689400500	VALVOLA SCARICO BOILER	BOILER DRAIN VALVE	X	X		USA
324	0CK682	83040PP01	KIT PANNELLO FACCIATA INFERIORE				X	Up to 2019/41
324	0CK427	541402Z00	PANNELLO FACCIATA INFERIORE				X	From 2019/42
325	0CK657	544403H00	MANICOTTO A GOMITO SCARICO CELLA	MANIFOLD			X	

SKYLINE								
Pos	Spare part Code	Factory code	Descrizione	Description	V	W & T	S	Ref./Notes
326	0CK420	830409A04	ASSIEME CAMINO ABBATTITORE	STEAM EXHAUST PIPE				a b c d e f g h i j k l m n o p
326	0CK075	830409B05	ASSIEME CAMINO ABBATTITORE	STEAM EXHAUST PIPE				q r s t u v w x y z a1 b1
327	0CK670		CONDENSATORE 5 MF	CAPACITOR 5 MF				
328	0CK155	514407S00	PIOLO SCARICO CONDENZA PORTA	CONDENSATE DOOR DRAIN STUD	X	X		
329	0CK193	689400700	VALVOLA MOTORIZZATA 1"	MOTORIZED BALL VALVE 1"	X	X		EU
329	0CK380	689400600	VALVOLA MOTORIZZATA 1"	MOTORIZED BALL VALVE 1"	X	X		USA
330	0CK138	544401V02	MANICOTTO COLLEGAMENTO CAMINO	RUBBER MANIFOLD		X		
331	0CK097	835402V03	DOCETTA	WATER SPRAY GUN				- e,f,g,m,n,o all - o,t,u,z,a1 all - a,b,c,d,h 60 Hz - i,j,k,l,p 60 Hz - q,r,s,v 60 Hz - w,x,y,b1 60 Hz
332	0CK096	514405A00	DADO CIECO 1"G	NUT 1"		X		
333	0CK073	805409V01	ASS. COLLETTORE SCARICO AIRBREAK	AIRBREAK DRAIN ASSEMBLY	X	X		
334	0CK142	544401J03	MANICOTTO SCARICO CELLA			X		
335	0CK162	518400Y00	RONDELLA OTTONE (34X42X2.5)	BRASS WASHER (34X42X2.5)		X		
336	0CK170	83040C000	SONDA TEMP. ABBATTITORE FUMANE	STEAM QUENCHING TEMP. PROBE	X	X		
337	0CK106	502404000	FILTRO SUPPORTO DETERGENTE	DETERGENT HOLDER FILTER				
338	0CK206	544402Z00	TUBO SILICONE	SILICON HOSE		X		
339	046855	518602801	FASCETTA	CLAMP		X		
340	0CK659	653400C00	SONDA NTC SICUREZZA	SAFETY NTC PROBE	X	X		
341	0CK304	835405Q00	FASCETTA A MOLLA FBS HC 24/12	SPRING CLAMP FBS HC 24/12		X		
342	0CK191	544402Y00	TUBO SCARICO BOILER	BOILER DRAIN HOSE		X		
343	0CK139	544401Z02	MANICOTTO COLLEGAM. SCARICHI 1/1	DRAIN CONNECTOR 1/1		X		a b c d e f g h q r s t u v
343	0CK140	544403100	MANICOTTO COLLEGAM. SCARICHI 2/1	DRAIN CONNECTOR 2/1		X		i j k l m n o p w x y z a1 b1
344	0C5829	544819400	TUBO EPDM BLU	EPDM BLUE HOSE		X		
345	0CK192	544401Y00	TUBO SILICONE RETINATO	SILICONE HOSE REINFORCED		X		
346	0CK190	544402000	TUBO NBR TELATO	NBR HOSE BLACK		X		
347	0CK083	514404Y01	BICONO TENUTA TERMOCOPPIA	THERMOCOUPLE BICONICAL SEALING		X		
348	0C9201	518825C01	FASCETTA A VITE CLAMP BCT-9420 X TUBO D21-44	CLAMP BCT-9420 X TUBO D21-44		X		
349	0L3736	640613Q00	SENSORE REED CASSETTO PASTIGLIE	TABS DRAWER REED SENSOR				
350		518400F00	FASCETTA NORMACLAMP COBRA 19/8 W4	SPRING CLAMP COBRA 19/8 W4		X		
351	0CK007	654400300	SENSORE REED PORTA DX	RIGHT DOOR REED SENSOR				L = 470 mm
351	0CK384	654400500	SENSORE REED PORTA SX	LEFT DOOR REED SENSOR				L = 1100 mm
352	0CK177	514406W01	SUPPORTO PASTIGLIE	TABS HOLDER				Up to 2020/42 Order 352a + 354a
352a	0CK655	542400D00	SUPPORTO PASTIGLIE	TABS HOLDER				From 2020/43
353	0CK246	514406V00	MOLLA TAPPO	CUP SPRING		X		
354	0CK125	543402S01	GUARNIZIONE TAPPO	CUP GASKET		X		Up to 2020/42 Order 352a + 354a
354a	0CK656	543403W00	GUARNIZIONE TAPPO	CUP GASKET		X		From 2020/43
355	0CK180	541402M00	TAPPO MOBILE	MOBILE CUP		X		Up to 2020/42 Order 352a + 354a
356	0CK179	541402D00	TAPPO FISSO	FIX CUP		X		Up to 2020/42
356a	0CK645	80540GG00	TAPPO FISSO	FIX CUP		X		From 2020/43

SKYLINE

Pos	Spare part Code	Factory code	Descrizione	Description	V	W & T	S	Ref./Notes
357	0CK322	80540DK01	ASSIEME TAPPO SERBATOIO CHIMICA	CUP TANK ASSEMBLY		X		Up to 2020/42
357a	0CK322	80540DK02	ASSIEME TAPPO SERBATOIO CHIMICA	CUP TANK ASSEMBLY		X		From 2020/43
358	0PE481	511T00300	MANOPOLA ZIGRINATA	KNURLED SCREW		X		Up to 2020/42 Order 358a + 358b
358a	0CK671	051440A901	PERNO	PIN				
358b	0CK672	0514404V03	BOCCOLA	BUSH				
359	0CK669	001541900	RONDELLA INOX (5X15X1,5)	INOX WASHER (5X15X1,5)				
360	0CK100	835405P00	FASCETTA A MOLLA FBS HC 38/12	SPRING CLAMP FBS HC 38/12		X		
361	0S1279	0P.P313.00.00	SEGER PER MINIREEL (PER FORO d. 28)			X		
363	0CK431	0P.P463X5	O-RING 2081			X		
364	0CK429	0R.F193	TUBO FLESSIBILE EPDM d.6x12mm			X		
365	0CK430	0R.P470	MOLLA SAGOMATA			X		
366	0L0673	0P.P243.00.00	TESTA DOCCIA			X		
367	0CK600	544401S01	COLLETTORE RPE DN19 CON FILTRO 3/4"	COLLECTOR			X	

SKYLINE								
Pos	Spare part Code	Factory code	Descrizione	Description	V	W & T	S	Ref./Notes
400	0CK272	83040C401	BOILER 6 1/1	BOILER 6 1/1	X			defg
400	0CK271	83040C301	BOILER 10 1/1	BOILER 10 1/1	X			stu
400	0CK307	83040C501	BOILER 6 2/1	BOILER 6 2/1	X			lmno
400	0CK308	83040C601	BOILER 10 2/1	BOILER 10 2/1	X			yz a1
401	007033	830890501	SONDA LIVELLO ACQUA	WATER LEVEL SENSOR	X	X		
402	0CK147	514406Q00	MOLLA	SPRING		X		
403	0C5834	543844800	GUARNIZIONE RESISTENZA BOILER	BOILER HEATING ELEMENT GASKET	X	X		
404	0CK214	617402802	RESIST. BOILER 415V 9688W	BOILER HEATING ELEM. 415V 9688W	X			defgstu 380-415V
404	0CK215	617402D01	RESIST. BOILER 415V 19375W	BOILER HEATING ELEM. 415V 19375W	X			lmnoyza1 380-415V
404	0CK023	617402701	RESIST. BOILER 240V 9688W	BOILER HEATING ELEM. 240V 9688W	X			defgstu 220-240V
404	0CK024	617402C01	RESIST. BOILER 240V 19375W	BOILER HEATING ELEM. 240V 19375W	X			lmnoyza1 220-240V
404	0CK399	617402601	RESIST. BOILER 208V 9000W	BOILER HEATING ELEM. 208V 9000W	X			defgstu 200-208V
404	0CK400	617402A01	RESIST. BOILER 480V 9000W	BOILER HEATING ELEM. 480V 9000W	X			defgstu 460-480V
404	0CK401	617402B01	RESIST. BOILER 208V 18000W	BOILER HEATING ELEM. 208V 18000W	X			lmnoyza1 200-208V
404	0CK402	617402G01	RESIST. BOILER 480V 18000W	BOILER HEATING ELEM. 480V 18000W	X			lmnoyza1 460-480V
404	0CK611	617402901	RESIST. BOILER 440V 9423W	BOILER HEATING ELEM. 440V 9423W	X			defgstu 440V
404	0CK613	617402F01	RESIST. BOILER 440V 18847W	BOILER HEATING ELEM. 440V 18847W	X			lmnoyza1 440V
405	0CK188	515404902	TUBO INGRESSO ARIA	AIR INLET PIPE				
406	0CK270	83040BY00	SENSORE DI TEMPERATURA BOILER	BOILER TEMPERATURE SENSOR	X	X		
407	0CK006	805409302	ASSIEME VALVOLA ARIA	AIR INLET VALVE	X	X		
407a	0CK642	543402R01	GUARNIZIONE VALVOLA ARIA	AIR INLET VALVE GASKET				
408	0CK072	569400Q00	ANELLO TENUTA IN GRAFITE	GRAPHITIC RING		X		
409	0CK181	50440AT00	TEGOLO PARAGOCCE	DRIP PROTECTION				
410	0CK200	504409J00	VENTOLA GN 1/1	FAN GN1/1				abcdefgh qrstuv
410	0CK201	504409K00	VENTOLA GN 2/1	FAN GN 2/1				ijklmnop xyza1 b1
411	0CK211	617401N02	RESISTENZA CELLA 400V 6 1/1	CAVITY HEATING ELEM. 400V 6 1/1	X			abcdefgh 400V
411	0CK213	617401Y02	RESISTENZA CELLA 400V 10 1/1	CAVITY HEATING ELEM. 400V 10 1/1	X			qrstuv 400V
411	0CK210	617401T02	RESISTENZA CELLA 400V 6 2/1	CAVITY HEATING ELEM. 400V 6 2/1	X			ijklmnop 400V
411	0CK212	617402302	RESISTENZA CELLA 400V 10 2/1	CAVITY HEATING ELEM. 400V 10 2/1	X			wxyza1 b1 400V
411	0CK019	617401M01	RESISTENZA CELLA 240V 6 1/1	CAVITY HEATING ELEM. 240V 6 1/1	X			abcdefgh 240V
411	0CK021	617401X01	RESISTENZA CELLA 240V 10 1/1	CAVITY HEATING ELEM. 240V 10 1/1	X			qrstuv 240V
411	0CK020	617401S01	RESISTENZA CELLA 240V 6 2/1	CAVITY HEATING ELEM. 240V 6 2/1	X			ijklmnop 240V
411	0CK022	617402201	RESISTENZA CELLA 240V 10 2/1	CAVITY HEATING ELEM. 240V 10 2/1	X			wxyza1 b1 240V
411	0CK391	617401L01	RESISTENZA CELLA 208V 6 1/1	CAVITY HEATING ELEM. 208V 6 1/1	X			abcdefgh 208V
411	0CK392	617401Q01	RESISTENZA CELLA 480V 6 1/1	CAVITY HEATING ELEM. 480V 6 1/1	X			abcdefgh 480V
411	0CK393	617401R01	RESISTENZA CELLA 208V 6 2/1	CAVITY HEATING ELEM. 208V 6 2/1	X			ijklmnop 208V

SKYLINE								
Pos	Spare part Code	Factory code	Descrizione	Description	V	W & T	S	Ref./Notes
411	0CK394	617401V01	RESISTENZA CELLA 480V 6 2/1	CAVITY HEATING ELEM. 480V 6 2/1	X			ijklmnop 480V
411	0CK395	617401W01	RESISTENZA CELLA 208V 10 1/1	CAVITY HEATING ELEM. 208V 10 1/1	X			qrstuv 208V
411	0CK396	617402001	RESISTENZA CELLA 480V 10 1/1	CAVITY HEATING ELEM. 480V 10 1/1	X			qrstuv 480V
411	0CK397	617402101	RESISTENZA CELLA 208V 10 2/1	CAVITY HEATING ELEM. 208V 10 2/1	X			wxyzab1 208V
411	0CK398	617402501	RESISTENZA CELLA 480V 10 2/1	CAVITY HEATING ELEM. 480V 10 2/1	X			wxyzab1 480V
411	0CK612	617401P01	RESISTENZA CELLA 440V 6 1/1	CAVITY HEATING ELEM. 440V 6 1/1	X			abcdefgh 440V MARINE
411	0CK589	617401U01	RESISTENZA CELLA 440V 6 2/1	CAVITY HEATING ELEM. 440V 6 2/1	X			ijklmnop 440V - MARINE/AUS
411	0CK590	617401Z01	RESISTENZA CELLA 440V 10 1/1	CAVITY HEATING ELEM. 440V 10 1/1	X			qrstuv 440V - MARINE/AUS
411	0CK610	617402401	RESISTENZA CELLA 440V 10 2/1	CAVITY HEATING ELEM. 440V 10 2/1	X			wxyzab1 440V MARINE
412	0CK216	514404Z03	PERNO SUPPORTO MOTORE	MOTOR PIN SUPPORT				
413	0CK149	611400900	MOTORE HANNING 450W	HANNING MOTOR 450W	X			abcdefgh qrstuv up to 2020/18
413	0CK150	611400C01	MOTORE FIR 750W	FIR MOTOR 750W	X			ijklmnop wxyzab1 EU/AUS
413	0CK422	611400B02	MOTORE FIR 450W	FIR MOTOR 450W	X			abcdefgh qrstuv from 2020/19
413	0CK423	611400A00	MOTORE 750W	MOTOR 750W	X			ijklmnopw xyzab1 US
415	0CK189	544401B00	TUBO INGRESSO VAPORE	STEAM INLET HOSE	X	X		
416	0CK309	217016205	VITE TENUTA VENTOLA	FAN SCREW		X		
417	0CK310	206300900	RONDELLA	WASHER		X		
418	0CK311	560401702	ISOLANTE BOILER 6 1/1	BOILER INSULATION 6 1/1		X		defg
418	0CK312	560401A02	ISOLANTE BOILER 10 1/1	BOILER INSULATION 10 1/1		X		stu
418	0CK313	560401802	ISOLANTE BOILER 6 2/1	BOILER INSULATION 6 2/1		X		lmno
418	0CK314	560401902	ISOLANTE BOILER 10 2/1	BOILER INSULATION 10 2/1		X		yzab1
419	006451	147018082	NASTRO ADESIVO ALLUMINATO	ALLUMINIUM ADHESIVE TAPE		X		
420	0CK117	569400Z00	GUARNIZIONE 6 1/1	GASKET 6 1/1	X	X		abcdefgh
420	0CK118	569401000	GUARNIZIONE 6 2/1-10 1/1-10 2/1	GASKET 6 2/1-10 1/1-10 2/1	X	X		ijklmnopq rstuvwxyz ab1
429	0CK403	624400P01	TRASFORMATORE TOROIDALE 550VA	TRANSFORMER 550 VA				100-120-200- 208-220-230- 240 V
430	0CK404	624400Q01	TRASFORMATORE TOROIDALE 1450VA	TRANSFORMER 1450 VA				0-230-380- 400-415-440- 460-480 V
431	0CK592	9F92263600	KIT SCARICO ACCIAIO	STEEL PIPES				
432	0CK593	9F92263700	KIT SCARICO PLASTICA	PLASTIC PIPES				

SKYLINE – KIT DI MANUTENZIONE – MAINTENANCE KIT

Spare Part Code KIT	Description KIT	Spare Part Code	S.P. Q.ty	Spare part position	Descrizione Spare part	Spare part Description	Ref./Note
0CK360	SKL OV PM KIT 1						10 GN 1/1 - BOILER/ BOILERLESS
		0CK120	1	115	GUARNIZIONE CELLA-PORTA	DOOR GASKET	
		0CK226	1	118	FILTRO ARIA	AIR FILTER	
		0CK195	1	125	VALVOLA SCARICO VASCHETTA	CHECK VALVE	
		0CK323	1	131	BOCCOLA IGUS	BUSH IGUS	
		0CK119	2		GUARN. CANDELINA ACC.NE	IGNITION ROD GASKET	
		0CK115	2		GUARNIZIONE BRUCIATORE	BURNER GASKET	
		0CK116	2		GUARNIZIONE BRUCIATORE	BURNER GASKET	
0CK361	SKL OV PM KIT 2						6 GN 2/1 - BOILER/ BOILERLESS
		0CK121	1	115	GUARNIZIONE CELLA-PORTA	DOOR GASKET	
		0CK226	1	118	FILTRO ARIA	AIR FILTER	
		0CK195	1	125	VALVOLA SCARICO VASCHETTA	CHECK VALVE	
		0CK323	1	131	BOCCOLA IGUS	BUSH IGUS	
		0CK119	2		GUARN. CANDELINA ACC.NE	IGNITION ROD GASKET	
		0CK115	2		GUARNIZIONE BRUCIATORE	BURNER GASKET	
		0CK116	2		GUARNIZIONE BRUCIATORE	BURNER GASKET	
0CK362	SKL OV PM KIT 3						6 GN 1/1 - BOILER/ BOILERLESS
		0CK222	1	115	GUARNIZIONE CELLA-PORTA	DOOR GASKET	
		0CK226	1	118	FILTRO ARIA	AIR FILTER	
		0CK195	1	125	VALVOLA SCARICO VASCHETTA	CHECK VALVE	
		0CK323	1	131	BOCCOLA IGUS	BUSH IGUS	
		0CK119	2		GUARN. CANDELINA ACC.NE	IGNITION ROD GASKET	
		0CK115	2		GUARNIZIONE BRUCIATORE	BURNER GASKET	
		0CK116	2		GUARNIZIONE BRUCIATORE	BURNER GASKET	
0CK363	SKL OV PM KIT 4						10 GN 2/1 - BOILER/ BOILERLESS
		0CK223	1	115	GUARNIZIONE CELLA-PORTA	DOOR GASKET	
		0CK226	1	118	FILTRO ARIA	AIR FILTER	
		0CK195	1	125	VALVOLA SCARICO VASCHETTA	CHECK VALVE	
		0CK323	1	131	BOCCOLA IGUS	BUSH IGUS	
		0CK119	2		GUARN. CANDELINA ACC.NE	IGNITION ROD GASKET	
		0CK115	2		GUARNIZIONE BRUCIATORE	BURNER GASKET	
		0CK116	2		GUARNIZIONE BRUCIATORE	BURNER GASKET	

SKYLINE – KIT DI MANUTENZIONE – MAINTENANCE KIT

Spare Part Code KIT	Description KIT	Spare Part Code	S.P. Q.ty	Spare part position	Descrizione Spare part	Spare part Description	Ref./Note
0CK364	SKL OV PM KIT 5						10 GN 1/1 - BOILER/ BOILERLESS
		0CK120	1	115	GUARNIZIONE CELLA-PORTA	DOOR GASKET	
		0CK226	1	118	FILTRO ARIA	AIR FILTER	
		0CK195	1	125	VALVOLA SCARICO VASCHETTA	CHECK VALVE	
		0CK323	1	131	BOCCOLA IGUS	BUSH IGUS	
		0CK119	2		GUARN. CANDELINA ACC.NE	IGNITION ROD GASKET	
		0CK115	2		GUARNIZIONE BRUCIATORE	BURNER GASKET	
		0CK116	2		GUARNIZIONE BRUCIATORE	BURNER GASKET	
		0CK143	1	111	MECCANISMO CHIUSURA PORTA	CLOSING MECHANISM	
		0CK087	1	313	CILINDRO PASTIGLIE	CYLINDER FOR TABS	
		0CK322	1	357	ASSIEME TAPPO SERBATOIO CHIMICA	CUP TANK ASSEMBLY	
0CK365	SKL OV PM KIT 6						6 GN 2/1 - BOILER/ BOILERLESS
		0CK121	1	115	GUARNIZIONE CELLA-PORTA	DOOR GASKET	
		0CK226	1	118	FILTRO ARIA	AIR FILTER	
		0CK195	1	125	VALVOLA SCARICO VASCHETTA	CHECK VALVE	
		0CK323	1	131	BOCCOLA IGUS	BUSH IGUS	
		0CK119	2		GUARN. CANDELINA ACC.NE	IGNITION ROD GASKET	
		0CK115	2		GUARNIZIONE BRUCIATORE	BURNER GASKET	
		0CK116	2		GUARNIZIONE BRUCIATORE	BURNER GASKET	
		0CK143	1	111	MECCANISMO CHIUSURA PORTA	CLOSING MECHANISM	
		0CK087	1	313	CILINDRO PASTIGLIE	CYLINDER FOR TABS	
		0CK322	1	357	ASSIEME TAPPO SERBATOIO CHIMICA	CUP TANK ASSEMBLY	
0CK366	SKL OV PM KIT 7						6 GN 1/1 - BOILER/ BOILERLESS
		0CK222	1	115	GUARNIZIONE CELLA-PORTA	DOOR GASKET	
		0CK226	1	118	FILTRO ARIA	AIR FILTER	
		0CK195	1	125	VALVOLA SCARICO VASCHETTA	CHECK VALVE	
		0CK323	1	131	BOCCOLA IGUS	BUSH IGUS	
		0CK119	2		GUARN. CANDELINA ACC.NE	IGNITION ROD GASKET	
		0CK115	2		GUARNIZIONE BRUCIATORE	BURNER GASKET	
		0CK116	2		GUARNIZIONE BRUCIATORE	BURNER GASKET	
		0CK143	1	111	MECCANISMO CHIUSURA PORTA	CLOSING MECHANISM	
		0CK087	1	313	CILINDRO PASTIGLIE	CYLINDER FOR TABS	
		0CK322	1	357	ASSIEME TAPPO SERBATOIO CHIMICA	CUP TANK ASSEMBLY	

SKYLINE – KIT DI MANUTENZIONE – MAINTENANCE KIT

Spare Part Code KIT	Description KIT	Spare Part Code	S.P. Q.ty	Spare part position	Descrizione Spare part	Spare part Description	Ref./Note
0CK367	SKL OV PM KIT 8						10 GN 2/1 - BOILER/ BOILERLESS
		0CK223	1	115	GUARNIZIONE CELLA-PORTA	DOOR GASKET	
		0CK226	1	118	FILTRO ARIA	AIR FILTER	
		0CK195	1	125	VALVOLA SCARICO VASCHETTA	CHECK VALVE	
		0CK323	1	131	BOCCOLA IGUS	BUSH IGUS	
		0CK119	2		GUARN. CANDELINA ACC.NE	IGNITION ROD GASKET	
		0CK115	2		GUARNIZIONE BRUCIATORE	BURNER GASKET	
		0CK116	2		GUARNIZIONE BRUCIATORE	BURNER GASKET	
		0CK143	1	111	MECCANISMO CHIUSURA PORTA	CLOSING MECHANISM	
		0CK087	1	313	CILINDRO PASTIGLIE	CYLINDER FOR TABS	
		0CK322	1	357	ASSIEME TAPPO SERBATOIO CHIMICA	CUP TANK ASSEMBLY	
0CK376	SKL OV PM KIT 17						10 GN 1/1 - BOILER/ BOILERLESS
		0CK120	1	115	GUARNIZIONE CELLA-PORTA	DOOR GASKET	
		0CK226	1	118	FILTRO ARIA	AIR FILTER	
		0CK195	1	125	VALVOLA SCARICO VASCHETTA	CHECK VALVE	
		0CK323	1	131	BOCCOLA IGUS	BUSH IGUS	
		0CK193	1	329	VALVOLA MOTORIZZATA	MOTORIZED BALL VALVE	
		0CK119	2		GUARN. CANDELINA ACC.NE	IGNITION ROD GASKET	
		0CK115	2		GUARNIZIONE BRUCIATORE	BURNER GASKET	
		0CK116	2		GUARNIZIONE BRUCIATORE	BURNER GASKET	
		0CK156	1	300	POMPA LAVAGGIO 220-240V 50/60HZ	CLEANING PUMP 220-240V 50/60HZ	
0CK377	SKL OV PM KIT 18						6 GN 2/1 - BOILER/ BOILERLESS
		0CK121	1	115	GUARNIZIONE CELLA-PORTA	DOOR GASKET	
		0CK226	1	118	FILTRO ARIA	AIR FILTER	
		0CK195	1	125	VALVOLA SCARICO VASCHETTA	CHECK VALVE	
		0CK323	1	131	BOCCOLA IGUS	BUSH IGUS	
		0CK193	1	329	VALVOLA MOTORIZZATA	MOTORIZED BALL VALVE	
		0CK119	2		GUARN. CANDELINA ACC.NE	IGNITION ROD GASKET	
		0CK115	2		GUARNIZIONE BRUCIATORE	BURNER GASKET	
		0CK116	2		GUARNIZIONE BRUCIATORE	BURNER GASKET	
		0CK156	1	300	POMPA LAVAGGIO 220-240V 50/60HZ	CLEANING PUMP 220-240V 50/60HZ	

SKYLINE – KIT DI MANUTENZIONE – MAINTENANCE KIT

Spare Part Code KIT	Description KIT	Spare Part Code	S.P. Q.ty	Spare part position	Descrizione Spare part	Spare part Description	Ref./Note
0CK378	SKL OV PM KIT 19						6 GN 1/1 - BOILER/ BOILERLESS
		0CK222	1	115	GUARNIZIONE CELLA-PORTA	DOOR GASKET	
		0CK226	1	118	FILTRO ARIA	AIR FILTER	
		0CK195	1	125	VALVOLA SCARICO VASCHETTA	CHECK VALVE	
		0CK323	1	131	BOCCOLA IGUS	BUSH IGUS	
		0CK193	1	329	VALVOLA MOTORIZZATA	MOTORIZED BALL VALVE	
		0CK119	2		GUARN. CANDELINA ACC.NE	IGNITION ROD GASKET	
		0CK115	2		GUARNIZIONE BRUCIATORE	BURNER GASKET	
		0CK116	2		GUARNIZIONE BRUCIATORE	BURNER GASKET	
		0CK156	1	300	POMPA LAVAGGIO 220-240V 50/60HZ	CLEANING PUMP 220-240V 50/60HZ	
0CK379	SKL OV PM KIT 20						10 GN 2/1 - BOILER/ BOILERLESS
		0CK223	1	115	GUARNIZIONE CELLA-PORTA	DOOR GASKET	
		0CK226	1	118	FILTRO ARIA	AIR FILTER	
		0CK195	1	125	VALVOLA SCARICO VASCHETTA	CHECK VALVE	
		0CK323	1	131	BOCCOLA IGUS	BUSH IGUS	
		0CK193	1	329	VALVOLA MOTORIZZATA	MOTORIZED BALL VALVE	
		0CK119	2		GUARN. CANDELINA ACC.NE	IGNITION ROD GASKET	
		0CK115	2		GUARNIZIONE BRUCIATORE	BURNER GASKET	
		0CK116	2		GUARNIZIONE BRUCIATORE	BURNER GASKET	
		0CK156	1	300	POMPA LAVAGGIO 220-240V 50/60HZ	CLEANING PUMP 220-240V 50/60HZ	

Electrolux Professional SpA
Viale Treviso, 15
33170 Pordenone, ITALY
Fax (+39) 0434 380 201
<https://www.electroluxprofessional.com>
<https://webgate.electroluxprofessional.com>