

## SKYLINE ELECTRIC OVEN FORNO ELETTRICO SKYLINE

| Type Reference | Ref | Page | Description   | note |
|----------------|-----|------|---|------|
| COE61C20       | a   |      | 6 grids GN 1/1 - touch convect - double glass - Standard          |      |
| COE61C2K       | b   |      | 6 grids GN 1/1 - touch convect - double glass - Smoker/Aromatizer |      |
| COE61C30       | c   |      | 6 grids GN 1/1 - touch convect - triple glass - Standard          |      |
| COE61D20       | d   |      | 6 grids GN 1/1 - digital steam - double glass - Standard          |      |
| COE61T20       | e   |      | 6 grids GN 1/1 - touch steam - double glass - Standard            |      |
| COE61T2K       | f   |      | 6 grids GN 1/1 - touch steam - double glass - Smoker/Aromatizer   |      |
| COE61T30       | g   |      | 6 grids GN 1/1 - touch steam - triple glass - Standard            |      |
| COE61V20       | h   |      | 6 grids GN 1/1 - digital convect - double glass - Standard        |      |
| COE62C20       | i   |      | 6 grids GN 2/1 - touch convect - double glass - Standard          |      |
| COE62C2K       | j   |      | 6 grids GN 2/1 - touch convect - double glass - Smoker/Aromatizer |      |
| COE62C30       | k   |      | 6 grids GN 2/1 - touch convect - triple glass - Standard          |      |
| COE62D20       | l   |      | 6 grids GN 2/1 - digital steam - double glass - Standard          |      |
| COE62T20       | m   |      | 6 grids GN 2/1 - touch steam - double glass - Standard            |      |
| COE62T2K       | n   |      | 6 grids GN 2/1 - touch steam - double glass - Smoker/Aromatizer   |      |
| COE62T30       | o   |      | 6 grids GN 2/1 - touch steam - triple glass - Standard            |      |
| COE62V20       | p   |      | 6 grids GN 2/1 - digital convect - double glass - Standard        |      |
| COE11C20       | q   |      | 10 grids GN 1/1 - touch convect - double glass - Standard         |      |
| COE11C30       | r   |      | 10 grids GN 1/1 - touch convect - triple glass - Standard         |      |
| COE11D20       | s   |      | 10 grids GN 1/1 - digital steam - double glass - Standard         |      |
| COE11T20       | t   |      | 10 grids GN 1/1 - touch steam - double glass - Standard           |      |
| COE11T30       | u   |      | 10 grids GN 1/1 - touch steam - triple glass - Standard           |      |
| COE11V20       | v   |      | 10 grids GN 1/1 - digital convect - double glass - Standard       |      |
| COE12C20       | w   |      | 10 grids GN 2/1 - touch convect - double glass - Standard         |      |
| COE12C30       | x   |      | 10 grids GN 2/1 - touch convect - triple glass - Standard         |      |
| COE12D20       | y   |      | 10 grids GN 2/1 - digital steam - double glass - Standard         |      |
| COE12T20       | z   |      | 10 grids GN 2/1 - touch steam - double glass - Standard           |      |
| COE12T30       | a1  |      | 10 grids GN 2/1 - touch steam - triple glass - Standard           |      |
| COE12V20       | b1  |      | 10 grids GN 2/1 - digital convect - double glass - Standard       |      |

### Index

Description Type Reference/Descrizione Type Reference  
Oven cabinet and door/Cella forno e porta  
Electrical components/Componenti elettrici  
Water system/Impianto idraulico  
Boiler  
Spare parts list / Lista ricambi  
Maintenance kit / Kit di manutenzione  
**Bold=last change / Grassetto =ultima modifica**

### Page

2  
3  
4  
5  
6  
7-24  
25-28

V = Vital spare part/Ricambio vitale  
W&T = Wear&Tear and Consumable/  
Ricambio usurabile e consumabile  
S = Suggested/Ricambio suggerito

Rev. 9

|                                       |                                |         |                  |
|---------------------------------------|--------------------------------|---------|------------------|
| From Ser. Nr....<br>Up to Ser. Nr.... | Ed. 2019-03<br>Updated 2022-10 | Page: 1 | Doc No:595403H00 |
|---------------------------------------|--------------------------------|---------|------------------|

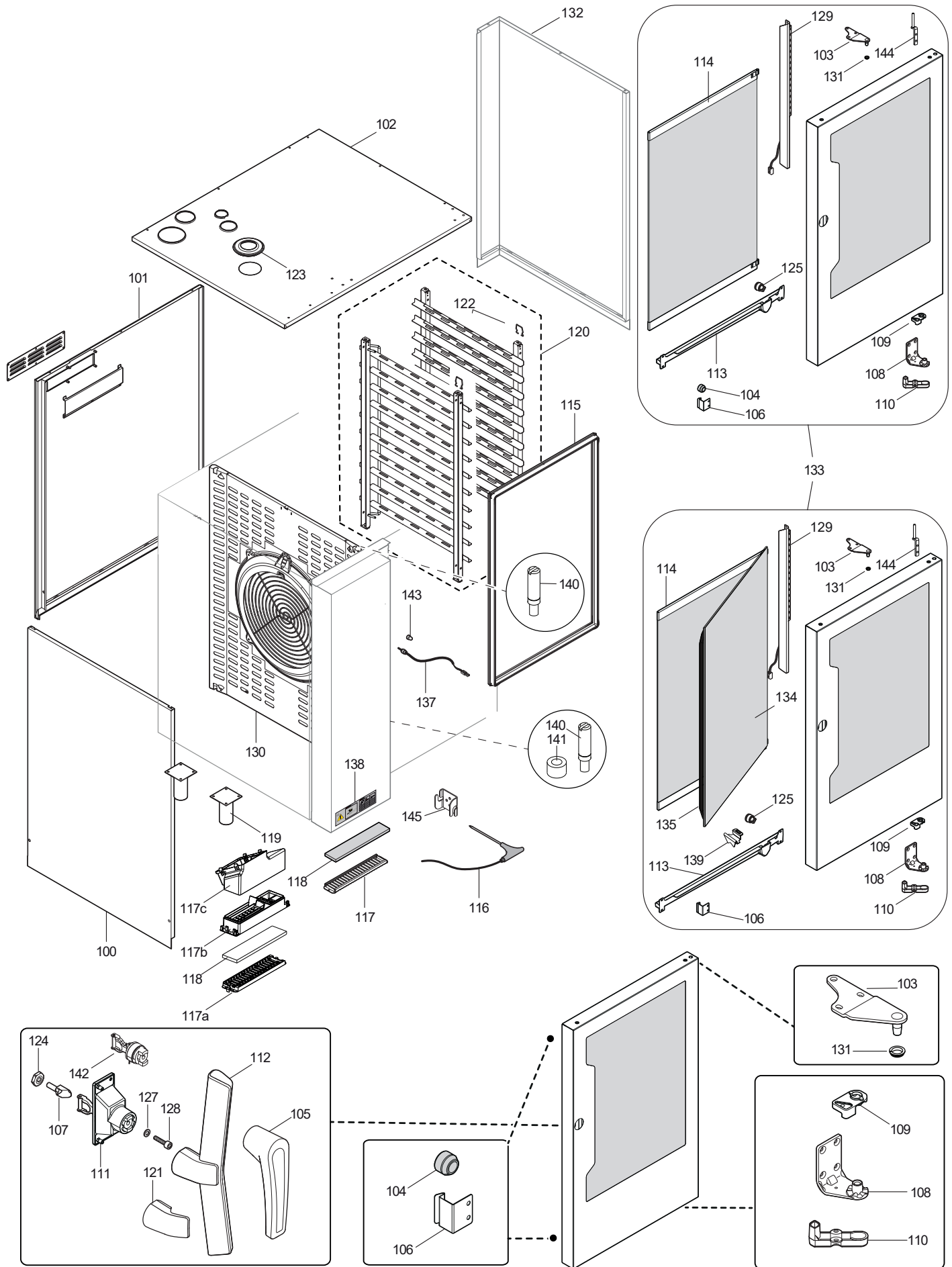
COE \* \* \*

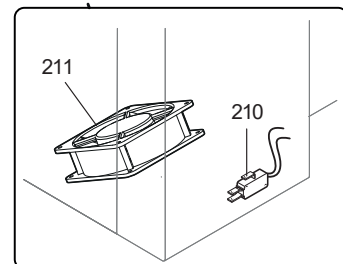
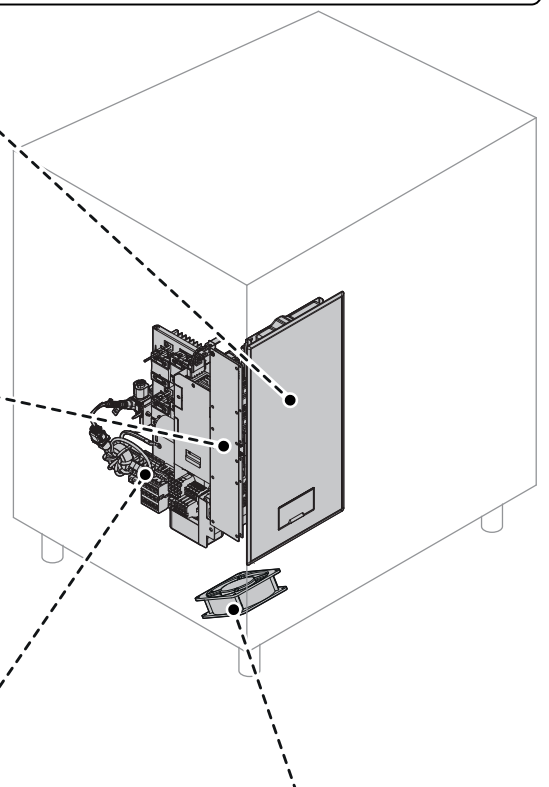
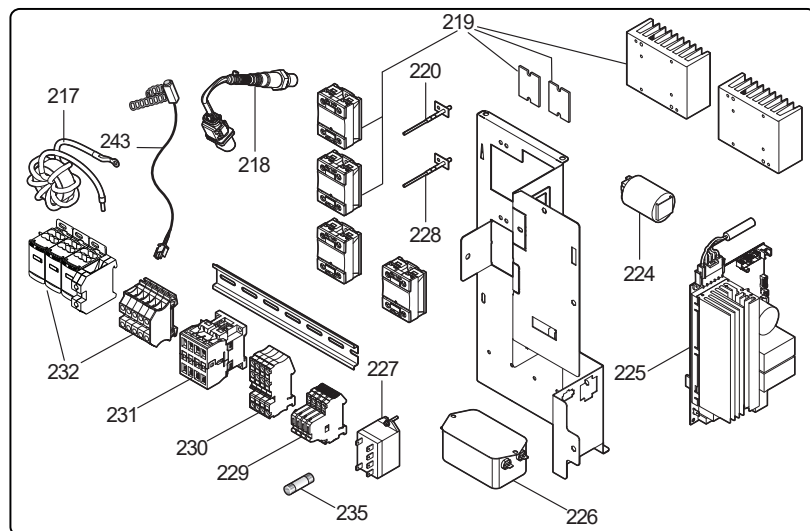
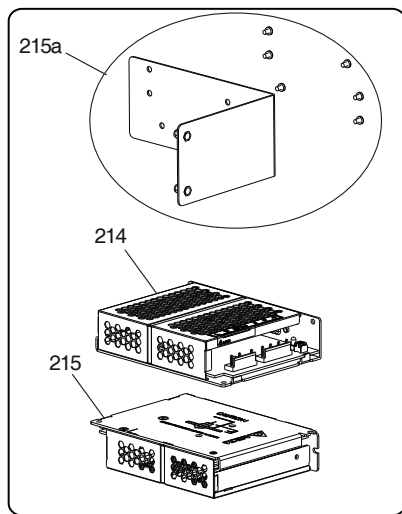
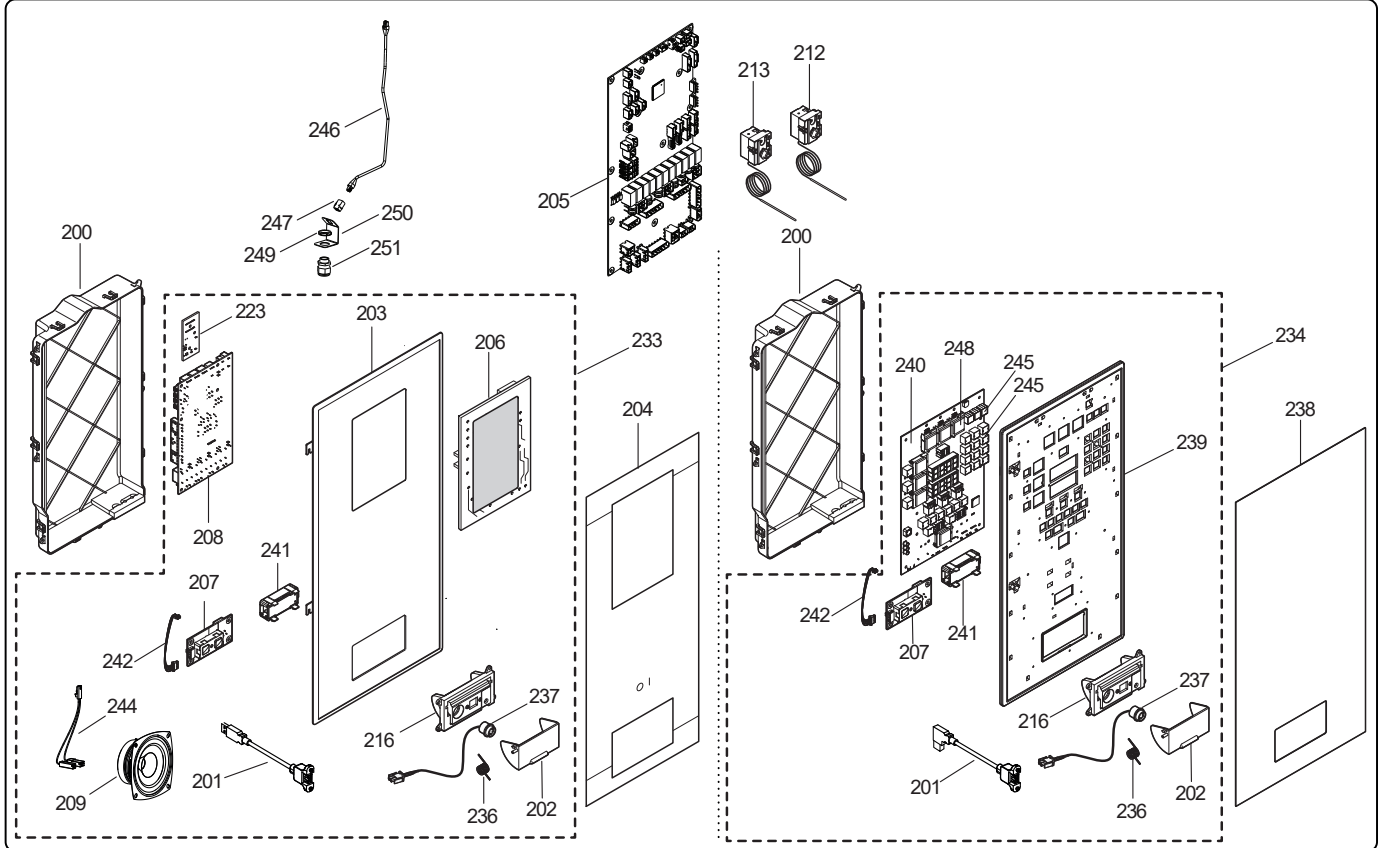
K = Smoker/Aromatizer  
0 = Standard

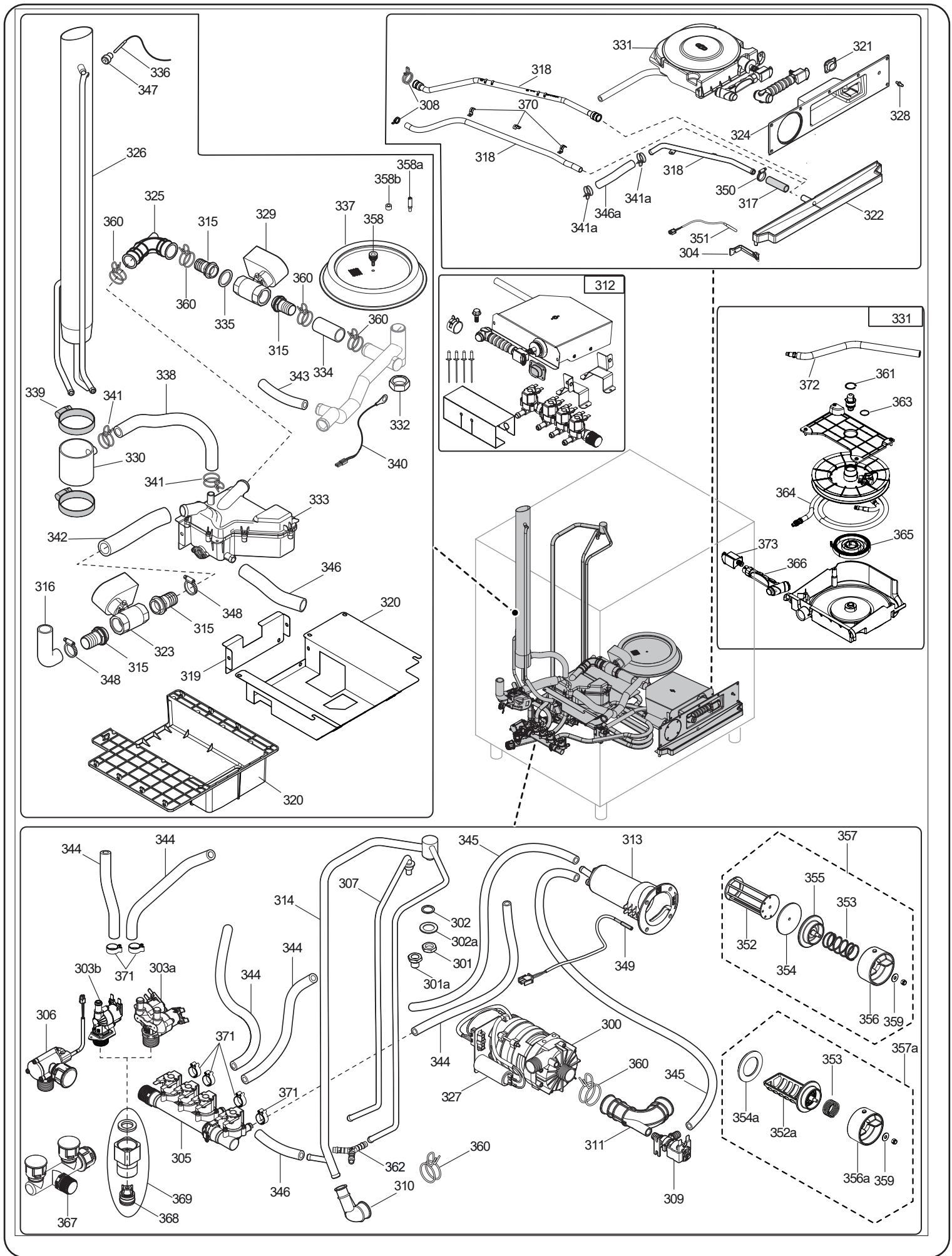
T2 = touch steam - double glass  
T3 = touch steam - triple glass  
C2 = touch convect – double glass  
C3 = touch convect – triple glass  
D2 = digital steam – double glass  
D3 = digital steam – triple glass  
V2 = digital convect – double glass  
V3 = digital convect – triple glass

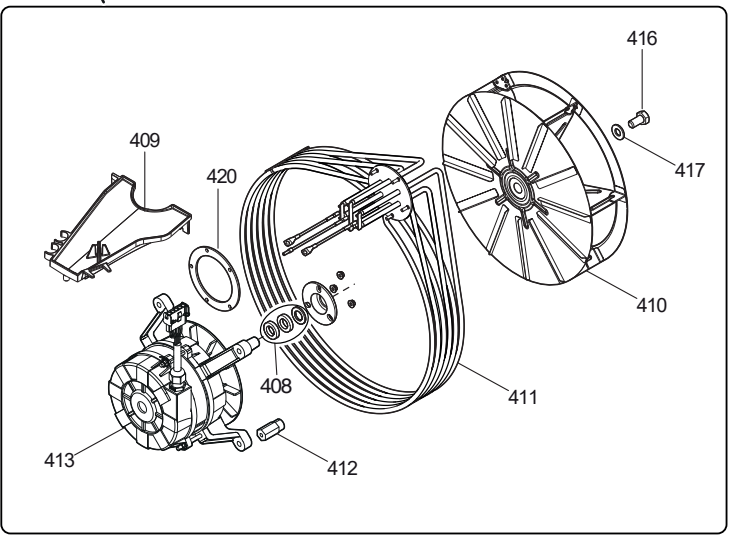
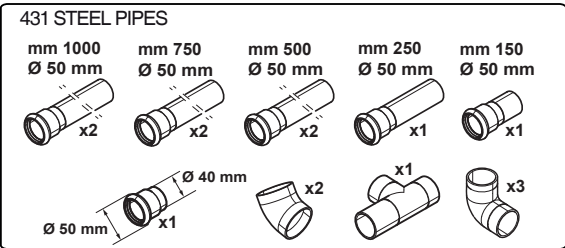
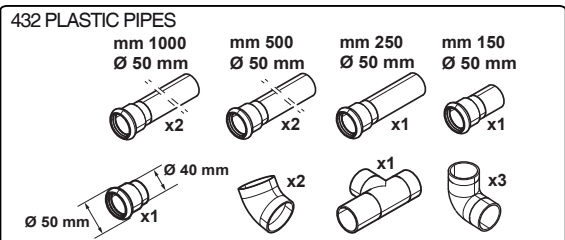
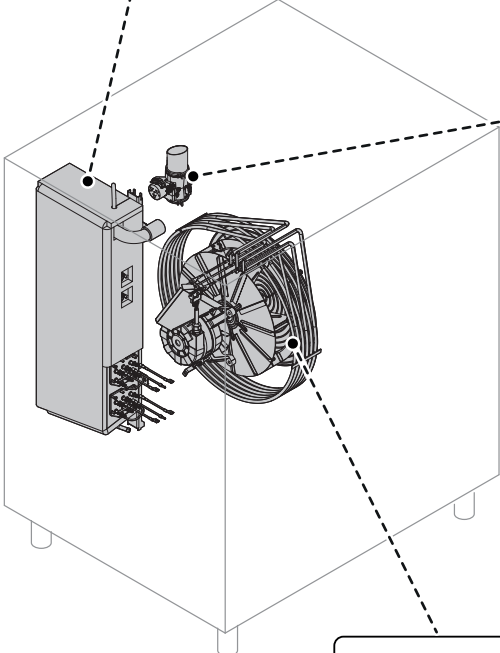
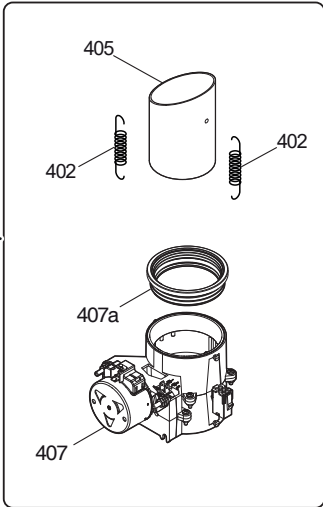
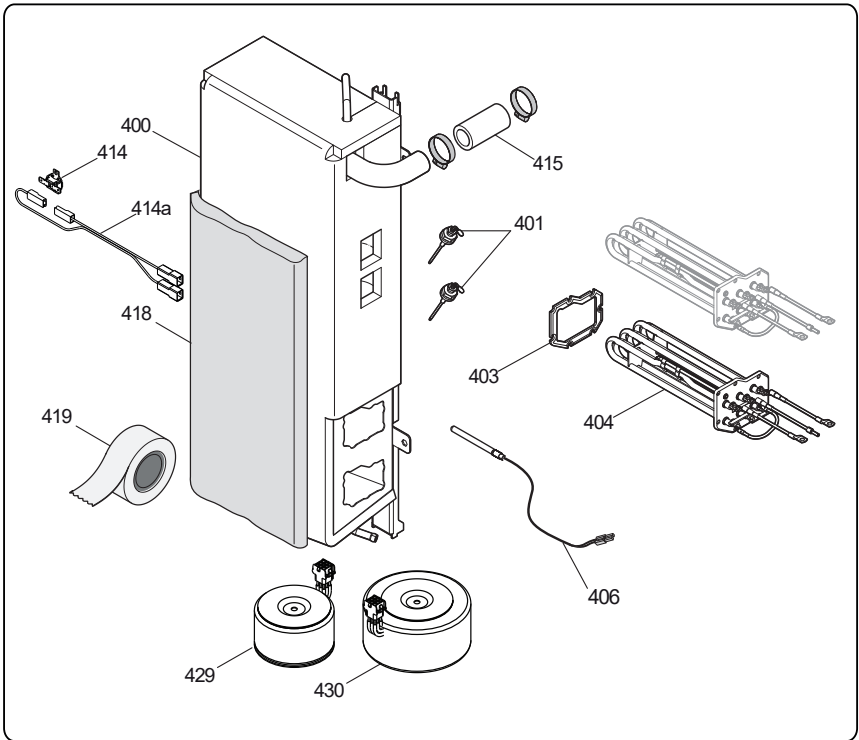
61 = 6 grids GN1/1  
62 = 6 grids GN2/1  
11 = 10 grids GN1/1  
12 = 10 grids GN2/1  
21 = 20 grids GN1/1  
22 = 20 grids G21/1

COE = Combi Oven Electric











| SKYLINE |                 |              |                        |                   |   |       |   |  |
|---------|-----------------|--------------|------------------------|-------------------|---|-------|---|--|
| Pos     | Spare part Code | Factory code | Descrizione            | Description       | V | W & T | S | Ref./Notes                                       |
| 100     | 0CK103          | 503404P02    | FIANCO SINISTRO 6 1/1  | LEFT PANEL 6 1/1  |   |       |   | a b c d e f g h<br>up to 2020/12                 |
| 100     | 0CK591          | 503404P04    | FIANCO SINISTRO 6 1/1  | LEFT PANEL 6 1/1  |   |       |   | a b c d e f g h<br>from 2020/13                  |
| 100     | 0CK102          | 503404Q02    | FIANCO SINISTRO 10 1/1 | LEFT PANEL 10 1/1 |   |       |   | q r s t u v up to<br>2020/12                     |
| 100     | 0CK594          | 503404Q04    | FIANCO SINISTRO 10 1/1 | LEFT PANEL 10 1/1 |   |       |   | q r s t u v from<br>2020/13                      |
| 100     | 0CK104          | 503405A03    | FIANCO SINISTRO 6 2/1  | LEFT PANEL 6 2/1  |   |       |   | i j k l m n o p                                  |
| 100     | 0CK227          | 503405B03    | FIANCO SINISTRO 10 2/1 | LEFT PANEL 10 2/1 |   |       |   | w x y z a1 b1                                    |
| 101     | 0CK293          | 503404R03    | SCHIENALE FORNO 6 1/1  | BACK PANEL 6 1/1  |   |       |   | a b c d e f g h<br>up to 2020/12                 |
| 101     | 0CK595          | 503404R04    | SCHIENALE FORNO 6 1/1  | BACK PANEL 6 1/1  |   |       |   | a b c d e f g h<br>from 2020/13<br>up to 2020/42 |
| 101     | 0CK664          | 50340B100    | SCHIENALE FORNO 6 1/1  | BACK PANEL 6 1/1  |   |       |   | a b c d e f g h<br>from 2020/43<br>up to 2021/16 |
| 101     | 0CK695          | 50340BA00    | SCHIENALE FORNO 6 1/1  | BACK PANEL 6 1/1  |   |       |   | a b c d e f g h<br>from 2021/17                  |
| 101     |                 | 50340AR01    | SCHIENALE FORNO 6 1/1  | BACK PANEL 6 1/1  |   |       |   | a b c d e f g h<br>Marine<br>up to 2021/16       |
| 101     | 0CK696          | 50340BB00    | SCHIENALE FORNO 6 1/1  | BACK PANEL 6 1/1  |   |       |   | a b c d e f g h<br>Marine<br>from 2021/17        |
| 101     | 0CK294          | 503404S03    | SCHIENALE FORNO 10 1/1 | BACK PANEL 10 1/1 |   |       |   | q r s t u v<br>up to 2020/12                     |
| 101     | 0CK596          | 503404S04    | SCHIENALE FORNO 10 1/1 | BACK PANEL 10 1/1 |   |       |   | q r s t u v<br>from 2020/13<br>up to 2020/42     |
| 101     | 0CK665          | 50340B200    | SCHIENALE FORNO 10 1/1 | BACK PANEL 10 1/1 |   |       |   | q r s t u v<br>from 2020/43<br>up to 2021/16     |
| 101     | 0CK693          | 50340B800    | SCHIENALE FORNO 10 1/1 | BACK PANEL 10 1/1 |   |       |   | q r s t u v<br>from 2021/17                      |
| 101     |                 | 50340AS01    | SCHIENALE FORNO 10 1/1 | BACK PANEL 10 1/1 |   |       |   | q r s t u v<br>Marine<br>up to 2021/16           |
| 101     | 0CK694          | 50340B900    | SCHIENALE FORNO 10 1/1 | BACK PANEL 10 1/1 |   |       |   | q r s t u v<br>Marine<br>from 2021/17            |
| 101     | 0CK295          | 503405604    | SCHIENALE FORNO 6 2/1  | BACK PANEL 6 2/1  |   |       |   | i j k l m n o p<br>up to 2020/42                 |
| 101     | 0CK662          | 50340AZ00    | SCHIENALE FORNO 6 2/1  | BACK PANEL 6 2/1  |   |       |   | i j k l m n o p<br>from 2020/43<br>up to 2021/16 |
| 101     | 0CK697          | 50340BF00    | SCHIENALE FORNO 6 2/1  | BACK PANEL 6 2/1  |   |       |   | i j k l m n o p<br>from 2021/17                  |
| 101     |                 | 50340AT01    | SCHIENALE FORNO 6 2/1  | BACK PANEL 6 2/1  |   |       |   | i j k l m n o p<br>Marine<br>up to 2021/16       |
| 101     | 0CK698          | 50340BG00    | SCHIENALE FORNO 6 2/1  | BACK PANEL 6 2/1  |   |       |   | i j k l m n o p<br>Marine<br>from 2021/17        |
| 101     | 0CK296          | 503405704    | SCHIENALE FORNO 10 2/1 | BACK PANEL 10 2/1 |   |       |   | w x y z a1 b1<br>up to 2020/42                   |
| 101     | 0CK663          | 50340B000    | SCHIENALE FORNO 10 2/1 | BACK PANEL 10 2/1 |   |       |   | w x y z a1 b1<br>from 2020/43<br>up to 2021/16   |
| 101     | 0CK699          | 50340BH00    | SCHIENALE FORNO 10 2/1 | BACK PANEL 10 2/1 |   |       |   | w x y z a1 b1<br>from 2021/17                    |

| SKYLINE |                 |              |                                       |                                  |   |       |   |  |
|---------|-----------------|--------------|---------------------------------------|----------------------------------|---|-------|---|--|
| Pos     | Spare part Code | Factory code | Descrizione                           | Description                      | V | W & T | S | Ref./Notes                                     |
| 101     |                 | 50340AU01    | SCHIENALE FORNO 10 2/1                | BACK PANEL 10 2/1                |   |       |   | w x y z a1 b1<br>Marine<br>up to 2021/16       |
| 101     | 0CK700          | 50340BJ00    | SCHIENALE FORNO 10 2/1                | BACK PANEL 10 2/1                |   |       |   | w x y z a1 b1<br>Marine<br>from 2021/17        |
| 102     | 0CK230          | 503404C03    | COPERCHIO FORNO 6-10 1/1              | TOP PANEL 6-10 1/1               |   |       |   | a b c d e f g h<br>q r s t u v                 |
| 102     | 0CK229          | 503405D02    | COPERCHIO FORNO 6-10 2/1              | TOP PANEL 6-10 2/1               |   |       |   | i j k l m n o p w<br>x y z a1 b1               |
| 103     | 0C4234          | 806847803    | CERNIERA SUPERIORE                    | UPPER HINGE                      | X | X     |   | RIGHT<br>HINGED                                |
| 103     | *               | 80540DX00    | CERNIERA SUPERIORE PORTA REV          | UPPER HINGE FOR REVERSE DOOR     | X | X     |   | LEFT HINGED                                    |
| 104     | 0CK071          | 543401S03    | AMMORTIZZATORE VETRO INTERNO          | INNER GLASS DUMPER               |   | X     |   | a b d e f h i j l<br>m n p q s t v w<br>y z b1 |
| 105     | 0CK319          | 830409802    | MANIGLIA PORTA                        | DOOR HANDLE                      | X |       |   |  |
| 106     | 0CK148          | 50440CX02    | MOLLA FERMAVETRO                      | INNER GLASS STOPPER              |   | X     |   |  |
| 107     | 0C4092          | 806859903    | NASELLO CHIUSURA 1-STEP               | SINGLE STEP DOOR LATCH           | X | X     |   |  |
| 107     | 0C6010          | 806859101    | NASELLO CHIUSURA 2-STEP               | DOUBLE STEP DOOR LATCH           | X | X     |   | MARINE   |
| 108     | 0CK086          | 510400102    | CERNIERA INFERIORE DESTRA PORTA       | RIGHT LOWER HINGE                | X | X     |   | RIGHT<br>HINGED                                |
| 108     | *               | 800401Y00    | CERNIERA INFERIORE PORTA SINISTRA     | LOWER HINGE FOR REVERSE DOOR     | X | X     |   | LEFT HINGED                                    |
| 109     | 0CK158          | 511400N01    | POSIZIONAT. INF.CON FERMO-PORTA       | DOOR POSITIONER WITH STOPPER     |   | X     |   | RIGHT<br>HINGED                                |
| 109     | 0CK354          | 511400R00    | POSIZIONAT. INF.CON FERMO-PORTA       | DOOR POSITIONER WITH STOPPER     |   | X     |   | LEFT HINGED                                    |
| 110     | 0CK160          | 541401R00    | PROTEZIONE CAVETTI LED                | LED WIRING PROTECTION            |   | X     |   |  |
| 111     | 0CK143          | 835403C00    | MECCANISMO CHIUSURA PORTA             | CLOSING MECHANISM                | X |       |   |  |
| 112     | 0CK297          | 548401U02    | MANIGLIA PORTA                        | DOOR HANDLE                      | X |       |   | ELECTROLUX<br>up to 2021/16                    |
| 112     | 0CK666          | 548401U03    | MANIGLIA PORTA                        | DOOR HANDLE                      | X |       |   | ELECTROLUX<br>from 2021/17                     |
| 113     | 0CK205          | 549400W01    | VASCHETTA GN 1/1                      | FRONT DRIP TRAY GN 1/1           |   | X     |   | a b c d e f g h<br>q r s t u v                 |
| 113     | 0CK204          | 549400X01    | VASCHETTA GN 2/1                      | FRONT DRIP TRAY GN 2/1           |   | X     |   | l j k l m n o p w<br>x y z a1 b1               |
| 114     | 0CK239          | 879402801    | ASSIEME VETRO INTERNO 6 1/1           | INNER GLASS ASSEMBLY 6 1/1       | X | X     |   | a b c d e f g h                                |
| 114     | 0CK081          | 879402901    | ASSIEME VETRO INTERNO 10 1/1          | INNER GLASS ASSEMBLY 10 1/1      | X | X     |   | q r s t u v                                    |
| 114     | 0CK238          | 879402A01    | ASSIEME VETRO INTERNO 6 2/1           | INNER GLASS ASSEMBLY 6 2/1       | X | X     |   | i j k l m n o p                                |
| 114     | 0CK240          | 879402B01    | ASSIEME VETRO INTERNO 10 2/1          | INNER GLASS ASSEMBLY 10 2/1      | X | X     |   | w x y z a1 b1                                  |
| 115     | 0CK222          | 543401V01    | GUARNIZIONE CELLA-PORTA 6 1/1         | DOOR GASKET 6 1/1                | X | X     |   | a b c d e f g h                                |
| 115     | 0CK120          | 543401X01    | GUARNIZIONE CELLA-PORTA 10 1/1        | DOOR GASKET 10 1/1               | X | X     |   | q r s t u v                                    |
| 115     | 0CK121          | 543401W01    | GUARNIZIONE CELLA-PORTA 6 2/1         | DOOR GASKET 6 2/1                | X | X     |   | i j k l m n o p                                |
| 115     | 0CK223          | 543401Y01    | GUARNIZIONE CELLA-PORTA 10 2/1        | DOOR GASKET 10 2/1               | X | X     |   | w x y z a1 b1                                  |
| 116     | 0CK171          | 83040BW04    | SPILLONE MULTIPOINT 10 1/1 – 10 2/1   | FOOD PROBE MULTIPOINT 10 GRIDS   |   | X     |   | q r s t u v w x y<br>z a1 b1                   |
| 116     | 0CK172          | 83040CX03    | SPILLONE MULTIPOINT 6 1/1 – 6 2/1     | FOOD PROBE MULTIPOINT 6 GRIDS    |   | X     |   | a b c d e f g h i<br>j k l m n o p             |
| 116     | 0CK173          | 83040BV03    | SPILLONE SINGLE POINT 10 1/1 – 10 2/1 | FOOD PROBE SINGLE POINT 10 GRIDS |   | X     |   | q r s t u v w x y<br>z a1 b1                   |
| 116     | 0CK174          | 83040CY03    | SPILLONE SINGLE POINT 6 1/1 – 6 2/1   | FOOD PROBE SINGLE POINT 6 GRIDS  |   | X     |   | a b c d e f g h i<br>j k l m n o p             |
| 117     | 0CK176          | 503407301    | SUPPORTO FILTRO                       | FILTER SUPPORT                   |   |       |   | Up to 2022/10                                  |
| 117a    | 0CK86X          | 541403400    | PORTAFILTRO                           | FILTER SUPPORT                   |   |       |   | From 2022/11                                   |
| 117b    | 0CK86Y          | 541403500    | SCATOLA INFERIORE PORTA FILTRO        | LOWER BOX FILTER SUPPORT         |   |       |   | From 2022/11                                   |
| 117c    | 0CK86Z          | 541403600    | SCATOLA SUPERIORE PORTA FILTRO        | UPPER BOX FILTER SUPPORT         |   |       |   | From 2022/11                                   |
| 117c    | 0CK870          | 541403700    | SCATOLA SUPERIORE PORTA FILTRO        | UPPER BOX FILTER SUPPORT         |   |       |   | From 2022/11                                   |



| SKYLINE |                 |              |                                   |                         |   |       |   |  |
|---------|-----------------|--------------|-----------------------------------|-------------------------|---|-------|---|--|
| Pos     | Spare part Code | Factory code | Descrizione                       | Description             | V | W & T | S | Ref./Notes                                 |
| 118     | 0CK226          | 549400U02    | FILTRO ARIA                       | AIR FILTER              |   | X     |   | Up to 2022/10                              |
| 118     | 0CK875          | 0549401J00   | FILTRO ARIA                       | AIR FILTER              |   | X     |   | From 2022/11                               |
| 119     | 0CK154          | 875403K00    | PIEDE DI SERVIZIO INOX            | SERVICE FOOT INOX       |   |       |   |  |
| 119     |                 | 875406R00    | PIEDE DI SERVIZIO                 | SERVICE FOOT            |   |       |   | MARINE                                     |
| 120     | 0CK076          | 870401W04    | ASSIEME PORTATEGLIE 6 1/1         | TRAY RACK 6 1/1         |   |       |   | a b c d e f g h                            |
| 120     | 0CK241          | 870401Y04    | ASSIEME PORTATEGLIE 10 1/1        | TRAY RACK 10 1/1        |   |       |   | q r s t u v                                |
| 120     | 0CK078          | 870401X04    | ASSIEME PORTATEGLIE 6 2/1         | TRAY RACK 6 2/1         |   |       |   | i j k l m n o p                            |
| 120     | 0CK077          | 870401Z04    | ASSIEME PORTATEGLIE 10 2/1        | TRAY RACK 10 2/1        |   |       |   | w x y z a1 b1                              |
| 120     | 0CBAEL          | 875404P01    | ASSIEME PORTATEGLIE 6 1/1         | TRAY RACK 6 1/1         |   |       |   | a b c d e f g h<br>BAKERY<br>Up to 2022/40 |
| 120     | 0CBAWT          | 875404P02    | ASSIEME PORTATEGLIE 6 1/1         | TRAY RACK 6 1/1         |   |       |   | a b c d e f g h<br>BAKERY<br>From 2022/41  |
| 120     | *               | 875404Q01    | ASSIEME PORTATEGLIE 10 1/1        | TRAY RACK 10 1/1        |   |       |   | q r s t u v<br>BAKERY<br>Up to 2022/40     |
| 120     | *               | 875404Q02    | ASSIEME PORTATEGLIE 10 1/1        | TRAY RACK 10 1/1        |   |       |   | q r s t u v<br>BAKERY<br>From 2022/41      |
| 120     | 0CK552          | 0870402M02   | ASSIEME PORTATEGLIE 6 1/1 MARINE  | MARINE TRAY RACK 6 1/1  |   |       |   | a b c d e f g h<br>MARINE                  |
| 120     | 0CK551          | 0870402L02   | ASSIEME PORTATEGLIE 10 1/1 MARINE | MARINE TRAY RACK 10 1/1 |   |       |   | q r s t u v<br>MARINE                      |
| 120     | 0CK553          | 0870402N02   | ASSIEME PORTATEGLIE 6 2/1 MARINE  | MARINE TRAY RACK 6 2/1  |   |       |   | i j k l m n o p<br>MARINE                  |
| 120     | 0CK554          | 0870402P02   | ASSIEME PORTATEGLIE 10 2/1 MARINE | MARINE TRAY RACK 10 2/1 |   |       |   | w x y z a1 b1<br>MARINE                    |
| 120     | 0CK86B          | 0870402702   | ASSIEME PORTATEGLIE 6 1/1 P85     | TRAY RACK 6 1/1 P85     |   |       |   | a b c d e f g<br>h P85                     |
| 120     | 0CK86A          | 0870402602   | ASSIEME PORTATEGLIE 10 1/1 P85    | TRAY RACK 10 1/1 P85    |   |       |   | q r s t u v P85                            |
| 121     | 0CK331          | 548402700    | COPERCHIETTO MANIGLIA ELUX        | ELUX HANDLE COVER       |   | X     |   | ELECTROLUX<br>Up to 2021/16                |
| 121     | 0CK667          | 548402701    | COPERCHIETTO MANIGLIA ELUX        | ELUX HANDLE COVER       |   | X     |   | ELECTROLUX<br>From 2021/17                 |
| 122     | 0CK220          | 500406801    | MOLLETTA FERMATEGLIE              | SPRING STOPPER          |   | X     |   |  |
| 123     | 0CK114          | 543402500    | GUARNIZIONE ASPIRAZIONE ARIA      | AIR INLET GASKET        |   | X     |   |  |
| 124     | 0CA756          | 516896402    | DADO NASELLO                      | DOOR LATCH NUT          |   | X     |   |  |
| 125     | 0CK195          | 549401800    | VALVOLA SCARICO VASCHETTA         | CHECK VALVE             |   | X     |   |  |
| 127     | 0E1331          | 206004105    | ROSETTA                           | WASHER                  |   | X     |   |  |
| 128     | 0C3973          | 214014255    | VITE M6X25                        | SCREW M6X25             |   | X     |   |  |
| 129     | 0CK082          | 805407P02    | BARRA LED                         | LED BAR                 |   | X     |   |  |
| 130     | 0CK335          | 878407202    | PARETE DI ASPIRAZIONE 6 1/1       | SUCTION WALL 6 1/1      |   |       |   | a b c d e f g h<br>Up to 2021/16           |
| 130     | 0CK739          | 878407203    | PARETE DI ASPIRAZIONE 6 1/1       | SUCTION WALL 6 1/1      |   |       |   | a b c d e f g h<br>From 2021/17            |
| 130     | *               | 878407901    | PARETE DI ASPIRAZIONE 6 1/1       | SUCTION WALL 6 1/1      |   |       |   | a b c d e f g h<br>BAKERY<br>Up to 2021/16 |
| 130     | 0CK750          | 878407902    | PARETE DI ASPIRAZIONE 6 1/1       | SUCTION WALL 6 1/1      |   |       |   | a b c d e f g h<br>BAKERY<br>From 2021/17  |
| 130     | 0CK320          | 878403505    | PARETE DI ASPIRAZIONE 10 1/1      | SUCTION WALL 10 1/1     |   |       |   | q r s t u v<br>Up to 2021/16               |
| 130     | 0CK732          | 878403506    | PARETE DI ASPIRAZIONE 10 1/1      | SUCTION WALL 10 1/1     |   |       |   | q r s t u v<br>From 2021/17                |
| 130     | *               | 878407B01    | PARETE DI ASPIRAZIONE 10 1/1      | SUCTION WALL 10 1/1     |   |       |   | q r s t u v<br>BAKERY<br>Up to 2021/16     |

| SKYLINE |                 |              |  |                                      |   |       |   |                                       |
|---------|-----------------|--------------|--|--------------------------------------|---|-------|---|---------------------------------------|
| Pos     | Spare part Code | Factory code | Descrizione  | Description                          | V | W & T | S | Ref./Notes                            |
| 130     | 0CK752          | 878407B02    | PARETE DI ASPIRAZIONE 10 1/1                         | SUCTION WALL 10 1/1                  |   |       |   | q r s t u v<br>BAKERY<br>From 2021/17 |
| 130     | 0CK153          | 878403705    | PARETE DI ASPIRAZIONE 6 2/1                          | SUCTION WALL 6 2/1                   |   |       |   | i j k l m n o p<br>Up to 2021/16      |
| 130     | 0CK735          | 878403706    | PARETE DI ASPIRAZIONE 6 2/1                          | SUCTION WALL 6 2/1                   |   |       |   | i j k l m n o p<br>From 2021/17       |
| 130     | 0CK338          | 878407801    | PARETE DI ASPIRAZIONE 10 2/1                         | SUCTION WALL 10 2/1                  |   |       |   | w x y z a1 b1<br>Up to 2021/16        |
| 130     | 0CK742          | 878407802    | PARETE DI ASPIRAZIONE 10 2/1                         | SUCTION WALL 10 2/1                  |   |       |   | w x y z a1 b1<br>From 2021/17         |
| 131     | 0CK323          | 04P0187700   | BOCCOLA IGUS 'IGLIDUR MCM-12-02'                     | BUSH IGUS 'IGLIDUR MCM-12-02'        |   | X     |   |                                       |
| 132     | 0CK703          | 050340BC00   | FIANCO DESTRO  | RIGHT SIDE PANEL                     |   |       |   | a b c d e f g h                       |
| 132     | 0CK701          | 050340BK00   | FIANCO DESTRO  | RIGHT SIDE PANEL                     |   |       |   | i j k l m n o p                       |
| 132     | 0CK704          | 050340BD00   | FIANCO DESTRO  | RIGHT SIDE PANEL                     |   |       |   | q r s t u v                           |
| 132     | 0CK702          | 050340BL00   | FIANCO DESTRO  | RIGHT SIDE PANEL                     |   |       |   | w x y z a1 b1                         |
| 133     | 0CK433          | 083040MQ04   | KIT PORTA INCERNIERATA A DESTRA 061 ELUX 2 VETRI     | RIGHT HINGED DOOR KIT 2 GLASSES 6/1  |   |       |   | a b d e f h -<br>ELUX                 |
| 133     | 0CK445          | 083040N204   | KIT PORTA INCERNIERATA A DESTRA 061 ZAN 2 VETRI      | RIGHT HINGED DOOR KIT 2 GLASSES 6/1  |   |       |   | a b d e f h -<br>ZAN                  |
| 133     | 0CK457          | 083040NF04   | KIT PORTA INCERNIERATA A DESTRA 061 TO BRAND 2 VETRI | RIGHT HINGED DOOR KIT 2 GLASSES 6/1  |   |       |   | a b d e f h -<br>TO BRAND             |
| 133     | 0CK434          | 083040MR04   | KIT PORTA INCERNIERATA A DESTRA 061 ELUX 3 VETRI     | RIGHT HINGED DOOR KIT 3 GLASSES 6/1  |   |       |   | c g - ELUX                            |
| 133     | 0CK446          | 083040N304   | KIT PORTA INCERNIERATA A DESTRA 061 ZAN 3 VETRI      | RIGHT HINGED DOOR KIT 3 GLASSES 6/1  |   |       |   | c g - ZAN                             |
| 133     | 0CK458          | 083040NG04   | KIT PORTA INCERNIERATA A DESTRA 061 TO BRAND 3 VETRI | RIGHT HINGED DOOR KIT 3 GLASSES 6/1  |   |       |   | c g -<br>TO BRAND                     |
| 133     | 0CK435          | 083040MS04   | KIT PORTA INCERNIERATA A DESTRA 062 ELUX 2 VETRI     | RIGHT HINGED DOOR KIT 2 GLASSES 6/2  |   |       |   | i j l m n p -<br>ELUX                 |
| 133     | 0CK447          | 083040N404   | KIT PORTA INCERNIERATA A DESTRA 062 ZAN 2 VETRI      | RIGHT HINGED DOOR KIT 2 GLASSES 6/2  |   |       |   | i j l m n p -<br>ZAN                  |
| 133     | 0CK459          | 083040NH04   | KIT PORTA INCERNIERATA A DESTRA 062 TO BRAND 2 VETRI | RIGHT HINGED DOOR KIT 2 GLASSES 6/2  |   |       |   | i j l m n p -<br>TO BRAND             |
| 133     | 0CK436          | 083040MT04   | KIT PORTA INCERNIERATA A DESTRA 062 ELUX 3 VETRI     | RIGHT HINGED DOOR KIT 3 GLASSES 6/2  |   |       |   | k o - ELUX                            |
| 133     | 0CK448          | 083040N504   | KIT PORTA INCERNIERATA A DESTRA 062 ZAN 3 VETRI      | RIGHT HINGED DOOR KIT 3 GLASSES 6/2  |   |       |   | k o - ZAN                             |
| 133     | 0CK460          | 083040NJ04   | KIT PORTA INCERNIERATA A DESTRA 062 TO BRAND 3 VETRI | RIGHT HINGED DOOR KIT 3 GLASSES 6/2  |   |       |   | k o -<br>TO BRAND                     |
| 133     | 0CK437          | 083040MU04   | KIT PORTA INCERNIERATA A DESTRA 101 ELUX 2 VETRI     | RIGHT HINGED DOOR KIT 2 GLASSES 10/1 |   |       |   | q s t v - ELUX                        |
| 133     | 0CK449          | 083040N604   | KIT PORTA INCERNIERATA A DESTRA 101 ZAN 2 VETRI      | RIGHT HINGED DOOR KIT 2 GLASSES 10/1 |   |       |   | q s t v - ZAN                         |
| 133     | 0CK461          | 083040NK04   | KIT PORTA INCERNIERATA A DESTRA 101 TO BRAND 2 VETRI | RIGHT HINGED DOOR KIT 2 GLASSES 10/1 |   |       |   | q s t v -<br>TO BRAND                 |
| 133     | 0CK438          | 083040MV04   | KIT PORTA INCERNIERATA A DESTRA 101 ELUX 3 VETRI     | RIGHT HINGED DOOR KIT 3 GLASSES 10/1 |   |       |   | r u - ELUX                            |
| 133     | 0CK450          | 083040N704   | KIT PORTA INCERNIERATA A DESTRA 101 ZAN 3 VETRI      | RIGHT HINGED DOOR KIT 3 GLASSES 10/1 |   |       |   | r u - ZAN                             |
| 133     | 0CK462          | 083040NL04   | KIT PORTA INCERNIERATA A DESTRA 101 TO BRAND 3 VETRI | RIGHT HINGED DOOR KIT 3 GLASSES 10/1 |   |       |   | r u -<br>TO BRAND                     |
| 133     | 0CK439          | 083040MW04   | KIT PORTA INCERNIERATA A DESTRA 102 ELUX 2 VETRI     | RIGHT HINGED DOOR KIT 2 GLASSES 10/2 |   |       |   | w y z b1 -<br>ELUX                    |
| 133     | 0CK451          | 083040N804   | KIT PORTA INCERNIERATA A DESTRA 102 ZAN 2 VETRI      | RIGHT HINGED DOOR KIT 2 GLASSES 10/2 |   |       |   | w y z b1 - ZAN                        |
| 133     | 0CK463          | 083040NM04   | KIT PORTA INCERNIERATA A DESTRA 102 TO BRAND 2 VETRI | RIGHT HINGED DOOR KIT 2 GLASSES 10/2 |   |       |   | w y z b1 -<br>TO BRAND                |
| 133     | 0CK440          | 083040MX04   | KIT PORTA INCERNIERATA A DESTRA 102 ELUX 3 VETRI     | RIGHT HINGED DOOR KIT 3 GLASSES 10/2 |   |       |   | x a1 - ELUX                           |

| SKYLINE |                 |              |   |                                      |   |       |   |                        |
|---------|-----------------|--------------|---|--------------------------------------|---|-------|---|------------------------|
| Pos     | Spare part Code | Factory code | Descrizione   | Description                          | V | W & T | S | Ref./Notes             |
| 133     | 0CK452          | 083040N904   | KIT PORTA INCERNIERATA A DESTRA 102 ZAN 3 VETRI       | RIGHT HINGED DOOR KIT 3 GLASSES 10/2 |   |       |   | x a1 - ZAN             |
| 133     | 0CK464          | 083040NN04   | KIT PORTA INCERNIERATA A DESTRA 102 TO BRAND 3 VETRI  | RIGHT HINGED DOOR KIT 3 GLASSES 10/2 |   |       |   | x a1 - TO BRAND        |
| 133     | 0CK469          | 083040LW04   | KIT PORTA INCERNIERATA A SINISTRA 061 ELUX CKM 2V     | LEFT HINGED DOOR KIT 2 GLASSES 6/1   |   |       |   | a b d e f h - ELUX     |
| 133     | 0CK425          | 083040M405   | KIT PORTA INCERNIERATA A SINISTRA 061 ZAN CKM 2V      | LEFT HINGED DOOR KIT 2 GLASSES 6/1   |   |       |   | a b d e f h - ZAN      |
| 133     | 0CK483          | 083040MC04   | KIT PORTA INCERNIERATA A SINISTRA 061 TO BRAND CKM 2V | LEFT HINGED DOOR KIT 2 GLASSES 6/1   |   |       |   | a b d e f h - TO BRAND |
| 133     | 0CK470          | 083040LX04   | KIT PORTA INCERNIERATA A SINISTRA 061 ELUX CKM 3V     | LEFT HINGED DOOR KIT 3 GLASSES 6/1   |   |       |   | c g - ELUX             |
| 133     | 0CK477          | 083040M504   | KIT PORTA INCERNIERATA A SINISTRA 061 ZAN CKM 3V      | LEFT HINGED DOOR KIT 3 GLASSES 6/1   |   |       |   | c g - ZAN              |
| 133     | 0CK484          | 083040MD04   | KIT PORTA INCERNIERATA A SINISTRA 061 TO BRAND CKM 3V | LEFT HINGED DOOR KIT 3 GLASSES 6/1   |   |       |   | c g - TO BRAND         |
| 133     | 0CK471          | 083040LY04   | KIT PORTA INCERNIERATA A SINISTRA 062 ELUX CKM 2V     | LEFT HINGED DOOR KIT 2 GLASSES 6/2   |   |       |   | i j l m n p - ELUX     |
| 133     | 0CK478          | 083040M604   | KIT PORTA INCERNIERATA A SINISTRA 062 ZAN CKM 2V      | LEFT HINGED DOOR KIT 2 GLASSES 6/2   |   |       |   | i j l m n p - ZAN      |
| 133     | 0CK485          | 083040MF04   | KIT PORTA INCERNIERATA A SINISTRA 062 TO BRAND CKM 2V | LEFT HINGED DOOR KIT 2 GLASSES 6/2   |   |       |   | i j l m n p - TO BRAND |
| 133     | 0CK472          | 083040LZ04   | KIT PORTA INCERNIERATA A SINISTRA 062 ELUX CKM 3V     | LEFT HINGED DOOR KIT 3 GLASSES 6/2   |   |       |   | k o - ELUX             |
| 133     | 0CK479          | 083040M704   | KIT PORTA INCERNIERATA A SINISTRA 062 ZAN CKM 3V      | LEFT HINGED DOOR KIT 3 GLASSES 6/2   |   |       |   | k o - ZAN              |
| 133     | 0CK486          | 083040MG04   | KIT PORTA INCERNIERATA A SINISTRA 062 TO BRAND CKM 3V | LEFT HINGED DOOR KIT 3 GLASSES 6/2   |   |       |   | k o - TO BRAND         |
| 133     | 0CK473          | 083040M005   | KIT PORTA INCERNIERATA A SINISTRA 101 ELUX CKM 2V     | LEFT HINGED DOOR KIT 2 GLASSES 10/1  |   |       |   | q s t v - ELUX         |
| 133     | 0CK426          | 083040M804   | KIT PORTA INCERNIERATA A SINISTRA 101 ZAN CKM 2V      | LEFT HINGED DOOR KIT 2 GLASSES 10/1  |   |       |   | q s t v - ZAN          |
| 133     | 0CK487          | 083040MH05   | KIT PORTA INCERNIERATA A SINISTRA 101 TO BRAND CKM 2V | LEFT HINGED DOOR KIT 2 GLASSES 10/1  |   |       |   | q s t v - TO BRAND     |
| 133     | 0CK474          | 083040M105   | KIT PORTA INCERNIERATA A SINISTRA 101 ELUX CKM 3V     | LEFT HINGED DOOR KIT 3 GLASSES 10/1  |   |       |   | r u - ELUX             |
| 133     | 0CK480          | 083040M905   | KIT PORTA INCERNIERATA A SINISTRA 101 ZAN CKM 3V      | LEFT HINGED DOOR KIT 3 GLASSES 10/1  |   |       |   | r u - ZAN              |
| 133     | 0CK488          | 083040MJ05   | KIT PORTA INCERNIERATA A SINISTRA 101 TO BRAND CKM 3V | LEFT HINGED DOOR KIT 3 GLASSES 10/1  |   |       |   | r u - TO BRAND         |
| 133     | 0CK475          | 083040M205   | KIT PORTA INCERNIERATA A SINISTRA 102 ELUX CKM 2V     | LEFT HINGED DOOR KIT 2 GLASSES 10/2  |   |       |   | w y z b1 - ELUX        |
| 133     | 0CK481          | 083040MA05   | KIT PORTA INCERNIERATA A SINISTRA 102 ZAN CKM 2V      | LEFT HINGED DOOR KIT 2 GLASSES 10/2  |   |       |   | w y z b1 - ZAN         |
| 133     | 0CK489          | 083040MK05   | KIT PORTA INCERNIERATA A SINISTRA 102 TO BRAND CKM 2V | LEFT HINGED DOOR KIT 2 GLASSES 10/2  |   |       |   | w y z b1 - TO BRAND    |
| 133     | 0CK476          | 083040M305   | KIT PORTA INCERNIERATA A SINISTRA 102 ELUX CKM 3V     | LEFT HINGED DOOR KIT 3 GLASSES 10/2  |   |       |   | x a1 - ELUX            |
| 133     | 0CK482          | 083040MB05   | KIT PORTA INCERNIERATA A SINISTRA 102 ZAN CKM 3V      | LEFT HINGED DOOR KIT 3 GLASSES 10/2  |   |       |   | x a1 - ZAN             |
| 133     | 0CK490          | 083040ML05   | KIT PORTA INCERNIERATA A SINISTRA 102 TO BRAND CKM 3V | LEFT HINGED DOOR KIT 3 GLASSES 10/2  |   |       |   | x a1 - TO BRAND        |
| 134     | 0CK356          | 0855408601   | ASS. VETRO INTERMEDIO PORTA                           | DOOR MIDDLE GLASS ASS.Y              |   |       |   | c g - right hinged     |
| 134     | 0CK357          | 0855408701   | ASS. VETRO INTERMEDIO PORTA                           | DOOR MIDDLE GLASS ASS.Y              |   |       |   | r u - right hinged     |
| 134     | 0CK358          | 0855409801   | ASS. VETRO INTERMEDIO PORTA                           | DOOR MIDDLE GLASS ASS.Y              |   |       |   | k o - right hinged     |
| 134     | 0CK359          | 0855409901   | ASS. VETRO INTERMEDIO PORTA                           | DOOR MIDDLE GLASS ASS.Y              |   |       |   | x a1 - right hinged    |
| 134     | 0CK879          | 085540D300   | ASS. VETRO INTERMEDIO PORTA                           | DOOR MIDDLE GLASS ASS.Y              |   |       |   | c g - left hinged      |
| 134     | 0CK88A          | 085540D400   | ASS. VETRO INTERMEDIO PORTA                           | DOOR MIDDLE GLASS ASS.Y              |   |       |   | r u - left hinged      |
| 134     | 0CK88B          | 085540D500   | ASS. VETRO INTERMEDIO PORTA                           | DOOR MIDDLE GLASS ASS.Y              |   |       |   | k o - left hinged      |
| 134     | 0CK88C          | 085540D600   | ASS. VETRO INTERMEDIO PORTA                           | DOOR MIDDLE GLASS ASS.Y              |   |       |   | x a1 - left hinged     |

| SKYLINE |                 |              |   |                                |   |       |                  |
|---------|-----------------|--------------|---|--------------------------------|---|-------|------------------|
| Pos     | Spare part Code | Factory code | Descrizione                                 | Description                    | V | W & T | S Ref./Notes     |
| 135     | 0CK351          | 0543403D00   | ASS. GUARNIZIONE VETRO INTERMEDIO           | MIDDLE GLASS GASKET ASS.Y      |   |       | c g              |
| 135     | 0CK352          | 0543403F00   | ASS. GUARNIZIONE VETRO INTERMEDIO           | MIDDLE GLASS GASKET ASS.Y      |   |       | r u              |
| 135     | 0CK353          | 0543403G00   | ASS. GUARNIZIONE VETRO INTERMEDIO           | MIDDLE GLASS GASKET ASS.Y      |   |       | k o              |
| 135     | 0CK355          | 0543403H00   | ASS. GUARNIZIONE VETRO INTERMEDIO           | MIDDLE GLASS GASKET ASS.Y      |   |       | x a1             |
| 137     | 0CK269          | 083040BX00   | SONDA CELLA                                 | CAVITY PROBE                   |   |       | Up to 2022/10    |
| 137     | 0CK878          | 083040QB00   | SONDA CELLA                                 | CAVITY PROBE                   |   |       | From 2022/11     |
| *       | 0CK857          |              | KIT SENSORE TEMPERATURA                     | TEMPERATURE SENSOR KIT         |   |       |                  |
| 138     | 0CK648          | 0598403Q01   | ETICHETTA GPSAC                             | GPSAC LABEL                    |   |       | d h l p s v y b1 |
| 139     | 0CK654          | 541403200    | PROTEZIONE VALVOLA VASCHETTA                | CHECK VALVE PROTECTION         |   |       |                  |
| 140     | 0CK671          | 051440A901   | PERNO PARETE ASPIRAZIONE E SUP-PORTO TEGLIE | SUCTION WALL PIN               |   |       |                  |
| 141     | 0CK672          | 0514404V03   | BOCCOLA INF. PARETE ASPIRAZIONE             | SUCTION WALL LOWER BUSH        |   |       |                  |
| 142     | 0CK683          |              | GRUPPO MOBILE DI AGGANCIO                   | LOCKING MECHANISM              |   |       |                  |
| 143     | 0CK083          | 0514404Y01   | BICONO TENUTA TERMOCOPPIA                   | THERMOCOUPLE BICONICAL SEALING |   |       | Up to 2022/10    |
| 144     | 0CK691          | 0800401B02   | CERNIERA X VETRO INTERNO PORTE              | DOOR INNER GLASS HINGE         |   |       |                  |
| 145     | 0CK86H          | 506407C00    | SUPPORTO SPILLONE                           | FOOD PROBE SUPPORT             |   |       |                  |

| SKYLINE |                 |              |  |  |   |       |   |  |
|---------|-----------------|--------------|--|--|---|-------|---|--|
| Pos     | Spare part Code | Factory code | Descrizione                            | Description                              | V | W & T | S | Ref./Notes   |
| 200     | 0CK161          | 541401D01    | PROTEZIONE SCHEDA USER                 | USER INTERFACE COVER                     |   |       |   |  |
| 201     | 0CK037          | 00           | CAVO PROLUNGA USB                      | USB PROLONG                              |   | X     |   | abcefgijk<br>mnoqrtuw<br>xza1                              |
| 201     |                 | 638405P00    | CAVO PROLUNGA USB                      | USB PROLONG                              |   | X     |   | dhlpsvyb1  |
| 202     | 0CK041          | 546400V01    | SPORTELLINO USB                        | USB WINDOW                               |   | X     |   |  |
| 203     | 0CK040          | 543401N01    | CRUSCOTTO PLASTICA TOUCH               | PLASTIC FRAME TOUCH                      |   |       |   | abcefgijk<br>mnoqrtuw<br>xza1                              |
| 204     | 0CK144          | 541401F03    | MEMBRANA TOUCH ELECTROLUX CON BOILER   | ELECTROLUX TOUCH MEMBRANE WITH BOILER    |   | X     |   | efgmnotu<br>za1  |
| 204     | 0CK298          | 541402502    | MEMBRANA TOUCH ELECTROLUX SENZA BOILER | ELECTROLUX TOUCH MEMBRANE WITHOUT BOILER |   | X     |   | abcijkqr<br>wx   |
| 204     | 0CK299          | 541401U04    | MEMBRANA TOUCH ZANUSSI CON BOILER      | ZANUSSI TOUCH MEMBRANE WITH BOILER       |   | X     |   | efgmnotu<br>za1  |
| 204     | 0CK300          | 541402704    | MEMBRANA TOUCH ZANUSSI SENZA BOILER    | ZANUSSI TOUCH MEMBRANE WITHOUT BOILER    |   | X     |   | abcijkqr<br>wx   |
| 204     | 0CK332          | 541401V02    | MEMBRANA TOUCH TO BRAND                | TO BRAND TOUCH MEMBRANE                  |   | X     |   | abcefgijk<br>mnoqrtuw<br>xza1                              |
| 204     | 0TTLG9          | 541402S01    | MEMBRANA TOUCH DIAMOND                 | DIAMOND TOUCH MEMBRANE                   |   | X     |   | abcefgijk<br>mnoqrtuw<br>xza1                              |
| 204     | 0CK9AJ          | 541403F00    | MEMBRANA TOUCH ENGEFOOD                | ENGEFOOD TOUCH MEMBRANE                  |   |       |   | abcefgijk<br>mnoqrtuw<br>xza1                              |
| 205     | 0CK070          | 675401U04    | ACU –SCHEDA POWER                      | ACU-POWER BOARD                          | X |       |   |  |
| 206     | 0CK034          | 673400900    | DISPLAY 7"                             | DISPLAY 7"                               | X |       |   | abcefgijk<br>mnoqrtuw<br>xza1                              |
| 207     | 0CK033          | 675401G00    | SCHEDA ON/OFF                          | ON/OFF BOARD                             | X | X     |   |  |
| 208     | 0CK036          | 675401J01    | SCHEDA BRIDGE                          | BRIDGE BOARD                             | X |       |   | abcefgijk<br>mnoqrtuw<br>xza1                              |
| *       | 0CK674          | 675403M00    | MICROSD HC 8GB CL4 SANDISK             | MICROSD HC 8GB CL4 SANDISK               |   |       |   |  |
| 209     | 0CK039          | 655400000    | ALTOPARLANTE                           | SPEAKER                                  |   | X     |   | abcefgijk<br>mnoqrtuw<br>xza1                              |
| 210     | 0CK145          | 640400300    | MICRO INTERRUETTORE                    | MICRO SWITCH                             |   | X     |   | Up to 2022/10  |
| 211     | 0CK199          | 682400G00    | VENTILATORE RAFFREDDAMENTO             | COOLING FAN                              |   | X     |   |  |
| 212     | 0CK184          | 646400H00    | TERMOSTATO SICUREZZA CELLA             | CAVITY SAFETY THERMOSTAT                 | X |       |   |  |
| 213     | 0CK183          | 646400G00    | TERMOSTATO SICUREZZA BOILER            | BOILER SAFETY THERMOSTAT                 | X |       |   | Up to 2022/40  |
| 214     | 0CK643          | 675403K00    | SMPS ALIM. SWITCHING 24V               | SWITCHING FEEDER 24V                     | X |       |   | For appliances<br>up to 2020/42<br>order also pos.<br>215a |
| 215     | 096342          | 648R11400    | SMPS ALIM. SWITCHING 12V               | SWITCHING FEEDER 12V                     | X |       |   | For appliances<br>up to 2020/42<br>order also pos.<br>215a |
| 215a    | 0CK761          | 83040Q000    | KIT RETROFIT PER SMPS                  | SMPS KIT RETROFIT                        |   |       |   | Up to 2020/42<br>+ pos. 214/215                            |
| 216     | 0CK030          | 546400U01    | SUPPORTO USB                           | USB CAGE                                 |   |       |   |  |
| 217     | 0CK225          | 694400L00    | FILTRO TOROIDALE                       | TOROIDAL FILTER                          |   |       |   | abcdefghijkl<br>rstuvw                                     |
| 217     | 0CK259          | 694400M00    | FILTRO TOROIDALE                       | TOROIDAL FILTER                          |   |       |   | ijklmnopw<br>xyza1b1                                       |
| 218     | 0CK168          | 657400201    | SONDA LAMBDA                           | LAMBDA PROBE                             |   | X     |   |  |

| SKYLINE |                 |              |  |                                     |   |       |   |
|---------|-----------------|--------------|--|-------------------------------------|---|-------|---|
| Pos     | Spare part Code | Factory code | Descrizione                                | Description                         | V | W & T | S Ref./Notes  |
| 219     | 0CBAQH          | 835403X00    | RELE' STATO SOLIDO 50A + PASTIGLIA TERMICA | SOLID STATE RELAY 50A + THERMAL PAD | X |       | abcdefghijklmnopgh<br>- all<br>ijklmnopq<br>rstuv<br>380-400-415-<br>440-460-480V |
| 219     | 0CBAQI          | 835403Y00    | RELE' STATO SOLIDO 90A + PASTIGLIA TERMICA | SOLID STATE RELAY 90A + THERMAL PAD | X |       | wxyz a1 b1<br>- all<br>ijklmnopq<br>rstuv<br>220-240V                             |
| 220     | 0CK208          | 646400C02    | SONDA NTC DISSIPATORE CELLA                | NTC PROBE HEAT SINK-CAVITY          | X | X     |   |
| 223     | 0CK035          | 675401H01    | SCHEDA CORE                                | CORE BOARD                          | X |       | abcefgijk<br>mnoqrtuw<br>xz a1  |
| 223     | 0CK685          | 83040PL01    | SCHEDA CORE                                | CORE BOARD                          | X |       | abcefgijk<br>mnoqrtuw<br>xz a1 -<br>Peer to peer                                  |
| 224     | 0CK107          | 694400N00    | FILTRO TRIFASE                             | 3-PHASE FILTER                      |   | X     |   |
| 225     | 0CK424          | 675403H00    | INVERTER                                   | INVERTER                            | X |       | Up to 2022/10   |
| 225     | 0CK730          | 675403N00    | INVERTER                                   | INVERTER                            | X |       | From 2022/11  |
| 226     | 0CK660          | 694400Y00    | FILTRO EMC                                 | EMC FILTER                          |   | X     |   |
| 226     | 0CK260          | 694400S00    | FILTRO EMC                                 | EMC FILTER                          |   | X     | AUS/MARINE  |
| 227     | 0CK705          | 648401300    | RELE'                                      | RELAY                               | X | X     |   |
| 227     | 0CK706          | 648401400    | RELE'                                      | RELAY                               | X | X     | 208V USA  |
| 228     | 0CK209          | 646400D01    | SONDA NTC DISSIPATORE BOILER               | NTC PROBE HEAT SINK-BOILER          | X | X     |   |
| 229     | 0L3360          | 63962B400    | PORTA FUSIBILI (PEZZO SINGOLO)             | FUSE HOLDER (SINGLE PIECE)          | X | X     | EU  |
| 229     | 0CK406          | 63962D800    | PORTA FUSIBILI (PEZZO SINGOLO)             | FUSE HOLDER (SINGLE PIECE)          | X | X     | USA   |
| 229     |                 | 652400H00    | PORTA FUSIBILI (PEZZO SINGOLO)             | FUSE HOLDER (SINGLE PIECE)          | X | X     | MARINE  |
| 230     | 0CK218          | 638404L00    | MORSETTO PHOENIX PT6 (PEZZO SINGOLO)       | PHOENIX CLAMP PT6 (SINGLE PIECE)    | X | X     | abcdefghijklmnopgh<br>h - all<br>qrstuv -<br>400-380-415-<br>460-480 V            |
| 230     | 0CK249          | 638404M00    | MORSETTO PHOENIX PT16(PEZZO SINGOLO)       | PHOENIX CLAMP PT16 (SINGLE PIECE)   | X | X     | ijklmnop<br>p wxyz a1<br>b1 - all<br>qrstuv -<br>200-208-220-<br>230-240 V        |
| 231     | 0CK231          | 648400W00    | CONTATTORE K318-ND                         | CONTACTOR K318-ND                   | X | X     | abcdefghijklmnopgh<br>hqrstuv -<br>400-460-480 V                                  |
| 231     | 0CK290          | 648400X00    | CONTATTORE K3 32 A00                       | CONTACTOR K3 32 A00                 | X | X     | abcdefghijklmnopgh<br>h - 200-208-<br>230 V<br>ijklmnop -<br>400-460-480 V        |
| 231     | 0CK291          | 648400Y00    | CONTATTORE K3 40 A00                       | CONTACTOR K3 40 A00                 | X | X     | ijklmnopq<br>rstuvwxyz<br>a1 b1 -<br>200-208-230 V<br>wxyz a1 b1 -<br>400 V       |
| 232     | 0CK219          | 639401502    | MORSETTIERA 10 mm2 3F+N+F                  | MAIN TERMINAL BLOCK 10 mm2 3F+N+F   |   |       | abcdefghijklmnopgh<br>hqrstuv -<br>400 V  |
| 232     | 0CK305          | 639401402    | MORSETTIERA 16 mm2 3F+N+F                  | MAIN TERMINAL BLOCK 16 mm2 3F+N+F   |   |       | ijklmnop -<br>400 V   |
| 232     | 0CK306          | 639401803    | MORSETTIERA 35 mm2 3F+N+F                  | MAIN TERMINAL BLOCK 35 mm2 3F+N+F   |   |       | wxyz a1 b1 -<br>400 V   |



| SKYLINE |                 |              |   |  |   |       |   |   |
|---------|-----------------|--------------|---|--|---|-------|---|---|
| Pos     | Spare part Code | Factory code | Descrizione   | Description  | V | W & T | S | Ref./Notes  |
| 232     | 0CK412          | 639401N001   | MORSETTIERA 70 mm2  | MAIN TERMINAL BLOCK 70 mm2                                   |   |       |   | w x y z a1 b1 - 208V  |
| 232     | 0CK413          | 639401R00    | MORSETTIERA 50 mm2  | MAIN TERMINAL BLOCK 50 mm2                                   |   |       |   | a b c d e f g h i j k l m n o p q r s t u v - 208V                                      |
| 232     | 0CK414          | 639401U01    | MORSETTIERA 10 mm2 3F+PE  | MAIN TERMINAL BLOCK 10 mm2 3F+PE                             |   |       |   | a b c d e f g h q r s t u v 460-480V  |
| 232     | 0CK415          | 639401V01    | MORSETTIERA 16 mm2  | MAIN TERMINAL BLOCK 16 mm2                                   |   |       |   | i j k l m n o p - 460-480V  |
| 232     | 0CK416          | 639401W01    | MORSETTIERA 35 mm2  | MAIN TERMINAL BLOCK 35 mm2                                   |   |       |   | w x y z a1 b1 - 460-480V  |
| 232     | 0CK016          | 639401P01    | MORSETTIERA 10 mm2 3F+F(PE)   | MAIN TERMINAL BLOCK 10 mm2 3F+F(PE)                          |   |       |   | a d e g h 220-240V  |
| 232     | 0CK018          | 639401T02    | MORSETTIERA 35 mm2 3F+F   | MAIN TERMINAL BLOCK 35 mm2 3F+F                              |   |       |   | w x y z a1 b1 - 220-240V  |
| 232     | 0CK017          | 0639401S01   | MORSETTIERA 35 mm2  | MAIN TERMINAL BLOCK 35 mm2                                   |   |       |   | q r s t u v 220-240V<br>i j k l m n o p<br>w x y z a1 b1<br>380/400/415/<br>440/460/480 |
| 232     |                 | 639402301    | MORSETTIERA 16 mm2 3F+F   | MAIN TERMINAL BLOCK 16 mm2 3F+F                              |   |       |   | i j k l m n o p 380/400/415/<br>440/460/480   |
| 233     | 0CK685          | 83040PL01    | ASSIEME USER TOUCH  | USER INTERFACE ASSEMBLY TOUCH                                | X |       |   | a b c e f g i j k m n o q r t u w x z a1  |
| 234     | 0CK079          | 830409604    | ASSIEME USER DIGIT  | USER INTERFACE ASSEMBLY DIGIT                                | X |       |   | d h l p s v y b1<br>Up to 2021/42   |
| 234     | 0CK86G          | 830409605    | ASSIEME USER DIGIT  | USER INTERFACE ASSEMBLY DIGIT                                | X |       |   | d h l p s v y b1<br>From 2021/43  |
| 235     | 0C5239          | 652806000    | FUSIBILE 5X20 4A ST520240   | FUSE 5X20 4A ST520240  | X | X     |   | EU - US 480V  |
| 235     | 0CC014          | 0652400J00   | FUSIBILE T 4.0A 5X20 250V CERAMICO OMEGA GT520240 (WEBER 0121400)   | CERAMIC FUSE 4.0A 5X20 250V OMEGA GT520240 (WEBER 0121400)   |   |       |   | 440V MARINE   |
| 235     | 0CK727          | 0652400L00   | FUSIBILE T 6.3A 6.3X32 500V CERAMICO WEBER 0308205 (OMEGA GT632263) | CERAMIC FUSE 6.3A 6.3X32 500V WEBER 0308205 (OMEGA GT632263) |   |       |   | 440V MARINE   |
| 235     | 0CK727          | 0652400L00   | FUSIBILE T 6.3A 6.3X32 500V CERAMICO WEBER 0308205 (OMEGA GT632263) | CERAMIC FUSE 6.3A 6.3X32 500V WEBER 0308205 (OMEGA GT632263) | X | X     |   | US 480V   |
| 235     | 0L3435          | 0652608D00   | FUSIBILE CERAMICO 5X20 250V 6.3 A T RITARDATO/OMEGA GT520263        | DELAYED CERAMIC FUSE 5X20 250V 6.3 A T OMEGA GT520263        |   |       |   | 440V MARINE   |
| 235     | 0L3435          | 0652608D00   | FUSIBILE CERAMICO 5X20 250V 6.3 A T RITARDATO/OMEGA GT520263        | DELAYED CERAMIC FUSE 5X20 250V 6.3 A T OMEGA GT520263        |   |       |   | EU - US   |
| 236     | 0CK032          | 514405001    | MOLLA SPORTELLINO   | SPRING   |   | X     |   |   |
| 237     | 0CK038          | 638404F02    | CAVETTO RECOVERY  | RECOVERY CABLE   |   | X     |   |   |
| 238     | 0CK292          | 541401G04    | MEMBRANA DIGIT ELECTROLUX CON BOILER                                | ELECTROLUX DIGIT MEMBRANE WITH BOILER                        |   | X     |   | d l s y   |
| 238     | 0CK301          | 541402603    | MEMBRANA DIGIT ELECTROLUX SENZA BOILER                              | ELECTROLUX DIGIT MEMBRANE WITHOUT BOILER                     |   | X     |   | h p v b1  |
| 238     | 0CK302          | 541401W03    | MEMBRANA DIGIT ZANUSSI CON BOILER                                   | ZANUSSI DIGIT MEMBRANE WITH BOILER                           |   | X     |   | d l s y   |
| 238     | 0CK303          | 541402804    | MEMBRANA DIGIT ZANUSSI SENZA BOILER                                 | ZANUSSI DIGIT MEMBRANE WITHOUT BOILER                        |   | X     |   | h p v b1  |
| 238     | 0CK333          | 541401X02    | MEMBRANA DIGIT TO BRAND CON BOILER                                  | TO BRAND DIGIT MEMBRANE WITH BOILER                          |   | X     |   | d l s y   |
| 238     | 0CK334          | 541402A02    | MEMBRANA DIGIT TO BRAND SENZA BOILER                                | TO BRAND DIGIT MEMBRANE WITHOUT BOILER                       |   | X     |   | h p v b1  |
| 238     | *               | 541402U01    | MEMBRANA DIGIT DIAMOND CON BOILER                                   | DIAMOND DIGIT MEMBRANE WITH BOILER                           |   | X     |   | d l s y   |
| 238     | *               | 541402T01    | MEMBRANA DIGIT DIAMOND SENZA BOILER                                 | DIAMOND DIGIT MEMBRANE WITHOUT BOILER                        |   | X     |   | h p v b1  |

| SKYLINE |                 |              |  |  |   |       |   |
|---------|-----------------|--------------|--|--|---|-------|---|
| Pos     | Spare part Code | Factory code | Descrizione                                      | Description  | V | W & T | S Ref./Notes  |
| 238     | 0CK9AK          | 541403G00    | MEMBRANA DIGIT ENGEFOOD SENZA BOILER             | ENGEFOOD DIGIT MEMBRANE WITHOUT BOILER               |   | X     | h p v b1  |
| 239     | 0CK043          | 543401Q02    | CRUSCOTTO PLASTICA DIGIT                         | PLASTIC FRAME DIGIT                                  |   |       | d h l p s v y b1  |
| 240     | 0CK044          | 675401P02    | SCHEDA USER DIGIT                                | DIGIT USER BOARD                                     | X |       | d h l p s v y b1  |
| 241     | 0CK042          | 657400101    | SCHEDA NIU                                       | NIU BOARD  |   |       |   |
| 242     | 0CK045          | 675401Q00    | CAVETTO ON/OFF TOUCH                             | ON/OFF CABLE TOUCH                                   |   | X     | a b c e f g i j k<br>m n o q r t u w<br>x z a1              |
| 242     | 0CK329          | 675402K00    | CAVETTO ON/OFF DIGIT                             | ON/OFF CABLE DIGIT                                   |   | X     | d h l p s v y b1  |
| 243     | 0CK254          | 646400A00    | SONDA TEMPERATURA COMPONENTI                     | NTC COMPONENT TEMPERATURE PROBE                      | X | X     |   |
| 244     | 0CK330          | 675401L00    | CAVETTO CONNESSIONE SPEAKER                      | WIRING SPEAKER                                       |   | X     | a b c e f g i j k<br>m n o q r t u w<br>x z a1              |
| 245     | 0CK622          | 546401700    | TASTO PER TASTIERA DIGIT 13X13 H11.4MM           | LIGHTED PUSH-BUTTON 13X13 H11.4MM                    |   |       | d h l p s v y b1  |
| 246     | 0CB910          | 638406L00    | CAVO ETHERNET RJ45 M-M CAT.5E SCHERMATO L=1000MM | ETHERNET CABLE RJ45 M-M CAT.5E L=1000MM              |   |       | a b c e f g i j k m<br>n o q r t u w x z a1<br>Peer to peer |
| 247     | 0CB911          | 639402900    | GIUNTO RJ45 - VS-08-BU-RJ45/BU - PHOENIX 1689064 | CONNECTION RJ45 - VS-08-BU-RJ45/BU - PHOENIX 1689064 |   |       | a b c e f g i j k m<br>n o q r t u w x z a1<br>Peer to peer |
| 248     | 0CK668          | 546813700    | TASTO PER TASTIERA DIGIT 21X21 H11.4MM           | LIGHTED PUSH-BUTTON 21X21 H11.4MM                    |   |       | d h l p s v y b1  |
| 249     | 0CB909          | 0544403Q00   | CONTRODADO M25 ELEKTROZUBEHOR 171541             | NUT M25 ELEKTROZUBEHOR 171541                        |   |       | a b c e f g i j k m<br>n o q r t u w x z a1<br>Peer to peer |
| 250     | 0CB907          | 050440HD00   | SUPPORTO CONNETTORE RJ45 PAS-SANTE               | CONNECTOR SUPPORT RJ45                               |   |       | a b c e f g i j k m<br>n o q r t u w x z a1<br>Peer to peer |
| 251     | 0CB908          | 0544403P00   | PRESSACAVO RJ45 M25 ELEKTROZUBEHOR 197939        | CABLE GLAND RJ45 M25 ELEKTROZUBEHOR 197939           |   |       | a b c e f g i j k m<br>n o q r t u w x z a1<br>Peer to peer |

| SKYLINE     |                 |                  |  |                                      |   |       |   |   |
|-------------|-----------------|------------------|--|--------------------------------------|---|-------|---|---|
| Pos         | Spare part Code | Factory code     | Descrizione                              | Description                          | V | W & T | S | Ref./Notes  |
| 300         | 0CK418          | 686400304        | POMPA LAVAGGIO 220-240V 50/60HZ          | CLEANING PUMP 220-240V 50/60HZ       | X | X     |   | Order KIT 0CBAN1  |
| 301         | 0C4202          | 516896000        | CONTRODADO                               | NUT                                  |   | X     |   | Up to 2021/16   |
| 301a        | 0CK726          | 51440AW00        | EXTENSION FOR ISG & CLEANING INLET       | ESTENSIONE PER ISG                   |   | X     |   | From 2021/17  |
| 302         | 0C4201          | 543841400        | GUARNIZIONE IN RAME                      | COPPER GASKET                        |   | X     |   |   |
| <b>302a</b> | <b>0CBAWL</b>   | <b>506408Z00</b> | <b>RONDELLA PIANA D 21X31</b>            | <b>WASHER D 21X31</b>                |   |       |   |   |
| 303a        | 0CK285          | 83040HS00        | ASS. ELETTROVALVOLA                      | SOLENOID VALVE ASSEMBLY              |   | X     |   | d e f g l m n o<br>s t u y z a1   |
| 303b        | 0CK013          | 83040HU00        | ASS. ELETTROVALVOLA                      | SOLENOID VALVE ASSEMBLY              |   | X     |   | a b c h i j k p q<br>r v w x b1   |
| 304         | 0CK182          | 541401S01        | TEGOLO RACCOGLI CONDENSA                 | FRONT GUTTER                         |   |       |   |   |
| 305         | 0CK283          | 83040HL00        | GRUPPO ELETTROVALVOLE RM1400             | SOLENOID VALVES GROUP RM1400         |   | X     |   | - USA all<br>- e f g m n o t<br>u z a1<br>- d l s y P85<br>- I ELUX 415-440V<br>- ENGEFOOD        |
| 305         | 0CK284          | 83040HM00        | GRUPPO ELETTROVALVOLE RM1300             | SOLENOID VALVES GROUP RM1300         |   | X     |   | - a b c h i j k p q r<br>v w x b1 (except USA)<br>- d l s y (except P85)<br>- d s y ELUX 415-440V |
| 306         | 0CK282          | 83040HK00        | FLUSSIMETRO                              | FLOW METER ASSEMBLY                  |   | X     |   |   |
| 307         | 0CK128          | 855405L02        | INGRESSO UMIDIFICATORE 6 1/1             | HUMIDIFIER INLET 6 1/1               |   |       |   | a b c d e f g h<br>Up to 2021/16  |
| 307         | 0CK126          | 855406701        | INGRESSO UMIDIFICATORE 10 1/1            | HUMIDIFIER INLET 10 1/1              |   |       |   | q r s t u v<br>Up to 2021/16  |
| 307         | 0CK129          | 855405M02        | INGRESSO UMIDIFICATORE 6 2/1             | HUMIDIFIER INLET 6 2/1               |   |       |   | i j k l m n o p<br>Up to 2021/16  |
| 307         | 0CK127          | 855406801        | INGRESSO UMIDIFICATORE 10 2/1            | HUMIDIFIER INLET 10 2/1              |   |       |   | w x y z a1 b1<br>Up to 2021/16  |
| 308         | 0CK709          | 518401A00        | FASCETTA BIFILARE DIA 21 MM              | CLAMP DIAM 21 MM                     |   |       |   | a b c d e f g h<br>q r s t u v from 2021/17   |
| 308         | 0CK709          | 518401A00        | FASCETTA BIFILARE DIA 21 MM              | CLAMP DIAM 21 MM                     |   |       |   | i j k l m n o p w<br>x y z a1 b1<br>From 2022/11  |
| 309         | 0CK228          | 696400L01        | ELETTROVALVOLA.                          | SOLENOID VALVE                       |   | X     |   |   |
| 310         | 0CK221          | 544401G03        | MANICOTTO MANDATA POMPA NBR              | NBR PUMP EXIT MANIFOLD               |   | X     |   | EPDM KIT 0CK86E   |
| 311         | 0CK137          | 544401F03        | MANICOTTO ASPIRAZIONE POMPA NBR          | NBR PUMP INLET MANIFOLD              |   | X     |   | EPDM KIT 0CK86E   |
| <b>312</b>  | <b>0CK749</b>   | <b>83040QG03</b> | <b>KIT DOCGETTA INTEGRATA</b>            | <b>INTEGRATED SHOWER KIT</b>         |   |       |   | <b>a,b,c,d,h,i,j,k,<br/>l,p,q,r,s,v,w,x,<br/>y,b1</b>   |
| 313         | 0CK087          | 541402F01        | CILINDRO PASTIGLIE                       | CYLINDER FOR TABS                    |   | X     |   |   |
| <b>314</b>  | <b>0CK233</b>   | <b>855403M10</b> | <b>CONDUTTURE CLEANING SYSTEM 6 1/1</b>  | <b>CLEANING SYSTEM PIPING 6 1/1</b>  |   |       |   | <b>a b c d e f g h</b>  |
| <b>314</b>  | <b>0CK235</b>   | <b>855403N11</b> | <b>CONDUTTURE CLEANING SYSTEM 10 1/1</b> | <b>CLEANING SYSTEM PIPING 10 1/1</b> |   |       |   | <b>q r s t u v</b>  |
| <b>314</b>  | <b>0CK232</b>   | <b>855403P10</b> | <b>CONDUTTURE CLEANING SYSTEM 6 2/1</b>  | <b>CLEANING SYSTEM PIPING 6 2/1</b>  |   |       |   | <b>i j k l m n o p</b>  |
| <b>314</b>  | <b>0CK234</b>   | <b>855403Q11</b> | <b>CONDUTTURE CLEANING SYSTEM 10 2/1</b> | <b>CLEANING SYSTEM PIPING 10 2/1</b> |   |       |   | <b>w x y z a1 b1</b>  |
| 315         | 0CK157          | 514F02U00        | PORTAGOMMA                               | HOSE FITTING                         |   | X     |   |   |
| 316         | 0CK141          | 544402P00        | MANICOTTO SCARICO BOILER                 | BOILER DRAIN MANIFOLD                |   | X     |   |   |
| 317         | 0CK207          | 544401A01        | TUBO SCARICO CONDENSA                    | CONDENSATE DRAIN HOSE                |   | X     |   | i j k l m n o p w<br>x y z a1 b1<br>Up to 2022/10   |
| 317         | 0CK207          | 544401A01        | TUBO SCARICO CONDENSA                    | CONDENSATE DRAIN HOSE                |   | X     |   | a b c d e f g h<br>q r s t u v up to 2021/16  |

| SKYLINE |                 |              |                                      |                              |   |       |   |
|---------|-----------------|--------------|--------------------------------------|------------------------------|---|-------|---|
| Pos     | Spare part Code | Factory code | Descrizione                          | Description                  | V | W & T | S Ref./Notes  |
| 318     |                 | 805407V01    | ASSIEME CONDUTTURA SCARICO CONDENZA  | CONDENSATE DRAIN PIPE        |   |       | ijklmnopwxyz a1 b1<br>Up to 2022/10   |
| 318     | 0CK874          | 0544403U01   | ASS. CONDUTTURA SCARICO CONDENZA     | CONDENSATE DRAIN PIPE        |   |       | ijklmnopwxyz a1 b1<br>From 2022/11  |
| 318     | 0CK074          | 805407U01    | ASSIEME CONDUTTURA SCARICO CONDENZA  | CONDENSATE DRAIN PIPE        |   |       | abcdefghijkl<br>qrstuvwxyz up to 2021/16  |
| 318     | 0CK708          | 80540GM00    | ASS. CONDUTTURA SCARICO CONDENZA     | CONDENSATE DRAIN PIPE        |   |       | abcdefghijkl<br>qrstuvwxyz<br>from 2021/17  |
| 319     | 0CK321          | 800404000    | COPERTURA POSTERIORE CARTER          | CARTER BACK COVER            |   |       | Up to 2022/10   |
| 319     | 0CK680          | 800404700    | COPERTURA POSTERIORE CARTER          | CARTER BACK COVER            |   |       | Marine<br>Up to 2022/10   |
| 320     | 0CK236          | 800403Z00    | CARTER COPERTURA FONDO               | CARTER BOTTOM COVER          |   |       | Up to 2022/10   |
| 320     | 0CK681          | 800404600    | CARTER COPERTURA FONDO               | CARTER BOTTOM COVER          |   |       | Marine<br>Up to 2022/10   |
| 320     | 0CK873          | 541403B00    | CARTER COPERTURA FONDO               | CARTER BOTTOM COVER          |   |       | From 2022/11  |
| 321     | 0CK178          | 546400W01    | SUPPORTO SCORRIMENTO DOCCETTA        | SHOWER HOSE SUPPORT SLIPPING |   | X     |   |
| 322     | 0CK203          | 542400001    | VASCHETTA RACCOGLI CONDENZA GN 1/1   | FRONT DRIP TRAY GN 1/1       |   | X     | abcdefghijkl<br>qrstuvwxyz<br>Ass.y 0CK196  |
| 322     | 0CK202          | 542400101    | VASCHETTA RACCOGLI CONDENZA GN 2/1   | FRONT DRIP TRAY GN 2/1       |   | X     | ijklmnopwxyz a1 b1<br>Ass.y 0CK197  |
| 323     | 0CB250          | 689400001    | VALVOLA SCARICO BOILER               | BOILER DRAIN VALVE           | X | X     | EU  |
| 323     | 0CB251          | 689400500    | VALVOLA SCARICO BOILER               | BOILER DRAIN VALVE           | X | X     | USA   |
| 324     | 0CK682          | 83040PP01    | KIT PANNELLO FACCIATA INFERIORE      |                              |   | X     | Up to 2019/41   |
| 324     | 0CK427          | 541402Z00    | PANNELLO FACCIATA INFERIORE          |                              |   | X     | From 2019/42  |
| 325     | 0CK657          | 544403H00    | MANICOTTO A GOMITO SCARICO CELLA NBR | NBR MANIFOLD                 |   | X     | EPDM KIT<br>0CK86E  |
| 326     | 0CK420          | 830409A05    | ASSIEME CAMINO ABBATTITORE           | STEAM EXHAUST PIPE           |   |       | abcdefghijkl<br>ijklmnop<br>Up to 2022/10   |
| 326     | 0CK876          | 830409A06    | ASSIEME CAMINO ABBATTITORE           | STEAM EXHAUST PIPE           |   |       | abcdefghijkl<br>ijklmnop<br>From 2022/11  |
| 326     | 0CK075          | 830409B05    | ASSIEME CAMINO ABBATTITORE           | STEAM EXHAUST PIPE           |   |       | qrstuvwxyz<br>z a1 b1<br>Up to 2022/10  |
| 326     | 0CK877          | 830409B06    | ASSIEME CAMINO ABBATTITORE           | STEAM EXHAUST PIPE           |   |       | qrstuvwxyz<br>z a1 b1<br>From 2022/11   |
| 327     | 0CK670          |              | CONDENSATORE 5 MF                    | CAPACITOR 5 MF               |   |       |   |
| 328     | 0CK155          | 514407S00    | PIOLO SCARICO CONDENZA PORTA         | CONDENSATE DOOR DRAIN STUD   | X | X     |   |
| 329     | 0CK193          | 689400700    | VALVOLA MOTORIZZATA 1"               | MOTORIZED BALL VALVE 1"      | X | X     | EU  |
| 329     | 0CK380          | 689400600    | VALVOLA MOTORIZZATA 1"               | MOTORIZED BALL VALVE 1"      | X | X     | USA   |
| 330     | 0CK138          | 544401V02    | MANICOTTO COLLEGAMENTO CAMINO        | RUBBER MANIFOLD              |   | X     |   |
| 331     | 0CK86W          | 0835407C00   | DOCCETTA                             | WATER SPRAY GUN              |   |       | - e,f,g,m,n,o all<br>- o,t,u,z,a1 all<br>- a,b,c,d,h 60 Hz<br>- i,j,k,l,p 60 Hz<br>- q,r,s,v 60 Hz<br>- w,x,y,b1 60 Hz<br>- h,q,u,v ENGE-FOOD |
| 332     | 0CK096          | 514405A00    | DADO CIECO 1"G                       | NUT 1"                       |   | X     |   |
| 333     | 0CK073          | 805409V01    | ASS. COLLETTORE SCARICO AIRBREAK     | AIRBREAK DRAIN ASSEMBLY      | X | X     |   |

| SKYLINE |                 |                   |  |   |   |       |   |  |
|---------|-----------------|-------------------|--|---|---|-------|---|--|
| Pos     | Spare part Code | Factory code      | Descrizione                                  | Description                               | V | W & T | S | Ref./Notes                                       |
| 334     | 0CK142          | 544401J03         | MANICOTTO SCARICO CELLA                      |   |   | X     |   |  |
| 335     | 0CK162          | 518400Y00         | RONDELLA OTTONE (34X42X2.5)                  | BRASS WASHER (34X42X2.5)                  |   | X     |   |  |
| 336     | 0CK170          | 83040C000         | SONDA TEMP. ABBATTITORE FUMANE               | STEAM QUENCHING TEMP. PROBE               | X | X     |   | Up to 2022/10                                    |
| *       | 0CK858          |                   | KIT SONDA TEMP. ABBATTITORE FUMANE           | STEAM QUENCHING TEMP. PROBE KIT           |   |       |   |  |
| 337     | 0CK106          | 502404000         | FILTRO SUPPORTO DETERGENTE                   | DETERGENT HOLDER FILTER                   |   |       |   |  |
| 338     | 0CK206          | 544402Z00         | TUBO SILICONE                                | SILICON HOSE                              |   | X     |   |  |
| 339     | 046855          | 518602801         | FASCETTA                                     | CLAMP                                     |   | X     |   |  |
| 340     | 0CK659          | 653400C00         | SONDA NTC SICUREZZA                          | SAFETY NTC PROBE                          | X | X     |   |  |
| 341     | <b>0CK304</b>   | <b>0835405Q00</b> | <b>ASSIEME FASCETTA FBS HC 24/12</b>         | <b>SPRING CLAMP FBS HC 24/12 ASSEMBLY</b> |   | X     |   |  |
| 341a    | <b>0CK304</b>   | <b>0835405Q00</b> | <b>ASSIEME FASCETTA FBS HC 24/12</b>         | <b>SPRING CLAMP FBS HC 24/12 ASSEMBLY</b> |   | X     |   | <b>ijklmnop<br/>wxyz a1 b1<br/>Up to 2022/10</b> |
| 341a    | <b>0CK304</b>   | <b>0835405Q00</b> | <b>ASSIEME FASCETTA FBS HC 24/12</b>         | <b>SPRING CLAMP FBS HC 24/12 ASSEMBLY</b> |   | X     |   | <b>abcdefghijkl<br/>rstuv up<br/>to 2021/16</b>  |
| 342     | 0CK191          | 544402Y00         | TUBO SCARICO BOILER                          | BOILER DRAIN HOSE                         |   | X     |   |  |
| 343     | 0CK139          | 544401Z02         | MANICOTTO COLLEGAM. SCARICHI 1/1             | DRAIN CONNECTOR 1/1                       |   | X     |   | abcdefghijkl<br>rstuv                            |
| 343     | 0CK140          | 544403100         | MANICOTTO COLLEGAM. SCARICHI 2/1             | DRAIN CONNECTOR 2/1                       |   | X     |   | ijklmnopw<br>xyza1 b1                            |
| 344     | 0C5829          | 544819400         | TUBO EPDM BLU                                | EPDM BLUE HOSE                            |   | X     |   |  |
| 345     | 0CK192          | 544401Y00         | TUBO SILICONE RETINATO                       | SILICONE HOSE REINFORCED                  |   | X     |   |  |
| 346     | 0CK190          | 544402000         | TUBO NBR TELATO                              | NBR HOSE BLACK                            |   | X     |   |  |
| 346a    | 0CK190          | 544402000         | TUBO NBR TELATO                              | NBR HOSE BLACK                            |   | X     |   | ijklmnopw<br>xyza1 b1<br>Up to 2022/10           |
| 346a    | 0CK190          | 544402000         | TUBO NBR TELATO                              | NBR HOSE BLACK                            |   | X     |   | abcdefghijkl<br>rstuv up<br>to 2021/16           |
| 347     | 0CK083          | 514404Y01         | BICONO TENUTA TERMOCOPPIA                    | THERMOCOUPLE BICONICAL SEALING            |   | X     |   | Up to 2022/10                                    |
| 348     | 0C9201          | 518825C01         | FASCETTA A VITE CLAMP BCT-9420 X TUBO D21-44 | CLAMP BCT-9420 X TUBO D21-44              |   | X     |   |  |
| 349     | 0L3736          | 640613Q00         | SENSORE REED CASSETTO PASTIGLIE              | TABS DRAWER REED SENSOR                   |   |       |   |  |
| 350     |                 | 518400F00         | FASCETTA NORMACLAMP COBRA 19/8 W4            | SPRING CLAMP COBRA 19/8 W4                |   | X     |   | ijklmnopw<br>xyza1 b1<br>Up to 2022/10           |
| 350     |                 | 518400F00         | FASCETTA NORMACLAMP COBRA 19/8 W4            | SPRING CLAMP COBRA 19/8 W4                |   | X     |   | abcdefghijkl<br>rstuv up<br>to 2021/16           |
| 351     | 0CK007          | 654400300         | SENSORE REED PORTA DX                        | RIGHT DOOR REED SENSOR                    |   |       |   | L = 470 mm                                       |
| 351     | 0CK384          | 654400500         | SENSORE REED PORTA SX                        | LEFT DOOR REED SENSOR                     |   |       |   | L = 1100 mm                                      |
| 352     | 0CK177          | 514406W01         | SUPPORTO PASTIGLIE                           | TABS HOLDER                               |   |       |   | Up to 2020/42<br>Order<br>352a + 354a            |
| 352a    | 0CK655          | 542400D00         | SUPPORTO PASTIGLIE                           | TABS HOLDER                               |   |       |   | From 2020/43                                     |
| 353     | 0CK246          | 514406V01         | MOLLA TAPPO                                  | CUP SPRING                                |   | X     |   |  |
| 354     | 0CK125          | 543402S01         | GUARNIZIONE TAPPO                            | CUP GASKET                                |   | X     |   | Up to 2020/42<br>Order<br>352a + 354a            |
| 354a    | 0CK656          | 543403W01         | GUARNIZIONE TAPPO                            | CUP GASKET                                |   | X     |   | From 2020/43                                     |
| 355     | 0CK180          | 541402M00         | TAPPO MOBILE                                 | MOBILE CUP                                |   | X     |   | Up to 2020/42<br>Order<br>352a + 354a            |
| 356     | 0CK179          | 541402D00         | TAPPO FISSO                                  | FIX CUP                                   |   | X     |   | Up to 2020/42                                    |
| 356a    | 0CK645          | 80540GG00         | TAPPO FISSO                                  | FIX CUP                                   |   | X     |   | From 2020/43                                     |
| 357     | 0CK322          | 80540DK01         | ASSIEME TAPPO SERBATOIO CHIMICA              | CUP TANK ASSEMBLY                         |   | X     |   | Up to 2020/42                                    |
| 357a    | 0CK322          | 80540DK04         | ASSIEME TAPPO SERBATOIO CHIMICA              | CUP TANK ASSEMBLY                         |   | X     |   | From 2020/43                                     |

## SKYLINE

| Pos        | Spare part Code | Factory code     | Descrizione                                       | Description                      | V | W & T | S | Ref./Notes                             |
|------------|-----------------|------------------|---|----------------------------------|---|-------|---|--|
| 358        | 0PE481          | 511T00300        | MANOPOLA ZIGRINATA                                | KNURLED SCREW                    |   | X     |   | Up to 2020/42<br>Order<br>358a + 358b  |
| 358a       | 0CK671          | 051440A901       | PERNO   | PIN                              |   |       |   |  |
| 358b       | 0CK672          | 0514404V03       | BOCCOLA   | BUSH                             |   |       |   |  |
| 359        | 0CK669          | 001541900        | RONDELLA INOX (5X15X1,5)                          | INOX WASHER (5X15X1,5)           |   |       |   |  |
| <b>360</b> | <b>0CK100</b>   | <b>835405P00</b> | <b>FASCETTA A MOLLA FBS HC 38/12</b>              | <b>SPRING CLAMP FBS HC 38/12</b> |   | X     |   |  |
| 361        | 0S1279          | 0P.P313.00.00    | SEGER PER MINIREEL (PER FORO d. 28)               | SEGER diam. 28 mm                |   | X     |   |  |
| 362        | 0CK710          | 546401N00        | RACCORDO A Y PORTAGOMMA PG10 IN PA6 COD. 5060TR10 | THREE WAYS FITTING               |   |       |   | From 2021/17<br>Up to 2022/10          |
| 362        | 0CK88S          | 546401N01        | RACCORDO A Y PORTAGOMMA ELDON JAMES 3/8           | THREE WAYS FITTING               |   |       |   | From 2022/11                           |
| 363        | 0CBAJ9          | P666             | O-RINGS KIT                                       | O-RINGS KIT                      |   | X     |   |  |
| 364        | 0CK429          | 0R.F193          | TUBO FLESSIBILE EPDM d.6x12mm                     | HOSE WITH O-RINGS AND COUPLINGS  |   | X     |   | d.6x12mm,<br>length 1.35 mt            |
| 365        | 0CK430          | 0R.P470          | MOLLA SAGOMATA                                    | SPRING                           |   | X     |   |  |
| 366        | 0CBAJ8          | 080540H200       | TESTA DOCCIA                                      | SPRAY VALVE                      |   | X     |   |  |
| 367        | 0CK600          | 544401S01        | COLLETORE RPE DN19 CON FILTRO 3/4"                | COLLECTOR                        |   |       | X |  |
| 368        | 0C2312          | 549801800        | VALVOLA DI NON RITORNO                            | NON-RETURN VALVE                 |   |       |   |  |
| 369        | 0CK646          | 083040KU00       | ASS. RACCORDO 3/4" INGRESSO ACQUA                 | WATER INLET FITTING              |   |       |   |  |
| 370        | 0CK872          | 0639721300       | CAVALLOTTO  |                                  |   |       |   | ijklmnopw<br>xyz a1 b1<br>From 2022/11 |
| 371        | 0C5385          | 835872300        | FASCETTA NORMACLAMP COBRA DN 16X8                 | CLAMP COBRA DN 16 X 8            |   |       |   |  |
| 372        | 0PRRXL          | 080540HY00       | ASS. TUBO INGRESSO                                | INLET HOSE ASSEMBLY              |   |       |   | From 2022/11                           |
| 373        | 0L0674          | 080540H100       | ASSIEME RACCORDO PINTOSSI 90°                     | 90° FITTING ASSEMBLY             |   |       |   | From 2022/11                           |



| SKYLINE |                 |              |                               |                                  |   |       |   |
|---------|-----------------|--------------|-------------------------------|----------------------------------|---|-------|---|
| Pos     | Spare part Code | Factory code | Descrizione                   | Description                      | V | W & T | S Ref./Notes  |
| 400     | 0CK272          | 83040C402    | BOILER 6 1/1                  | BOILER 6 1/1                     | X |       | d e f g   |
| 400     | 0CK271          | 83040C301    | BOILER 10 1/1                 | BOILER 10 1/1                    | X |       | s t u<br>Up to 2022/40  |
| 400     | 0CBAWK          | 83040QA00    | BOILER 10 1/1                 | BOILER 10 1/1                    | X |       | s t u<br>From 2022/41   |
| 400     | 0CK307          | 83040C502    | BOILER 6 2/1                  | BOILER 6 2/1                     | X |       | l m n o   |
| 400     | 0CK308          | 83040C602    | BOILER 10 2/1                 | BOILER 10 2/1                    | X |       | y z a1  |
| 401     | 007033          | 830890501    | SONDA LIVELLO ACQUA           | WATER LEVEL SENSOR               | X | X     |   |
| 402     | 0CK147          | 514406Q00    | MOLLA                         | SPRING                           |   | X     |   |
| 403     | 0C5834          | 543844800    | GUARNIZIONE RESISTENZA BOILER | BOILER HEATING ELEMENT GASKET    | X | X     | a b c d e f g h l<br>j k l m n o p q r<br>v w x y z a1 b1<br>Always |
| 403     | 0C5834          | 543844800    | GUARNIZIONE RESISTENZA BOILER | BOILER HEATING ELEMENT GASKET    | X | X     | s t u<br>Up to 2022/40  |
| 403     | 0CK9AN          | 543403Y00    | GUARNIZIONE RESISTENZA BOILER | BOILER HEATING ELEMENT GASKET    | X | X     | s t u<br>From 2022/41   |
| 404     | 0CK214          | 617402802    | RESIST. BOILER 415V 9688W     | BOILER HEATING ELEM. 415V 9688W  | X |       | d e f g 380-415V<br>Order KIT<br>0CBAMR                             |
| 404     | 0CK214          | 617402802    | RESIST. BOILER 415V 9688W     | BOILER HEATING ELEM. 415V 9688W  | X |       | s t u 380-415V<br>Up to 2022/40<br>Order KIT<br>0CBAMR              |
| 404     | 0CBAWN          | 617403X00    | RESIST. BOILER 415V 19380W    | BOILER HEATING ELEM. 415V 19380W | X |       | s t u 380-415V<br>From 2022/41                                      |
| 404     | 0CK215          | 617402D01    | RESIST. BOILER 415V 19375W    | BOILER HEATING ELEM. 415V 19375W | X |       | l m n o y z a1<br>380-415V<br>Order KIT<br>0CBAMS                   |
| 404     | 0CK023          | 617402701    | RESIST. BOILER 240V 9688W     | BOILER HEATING ELEM. 240V 9688W  | X |       | d e f g 220-240V<br>Order KIT<br>0CBAMP                             |
| 404     | 0CK023          | 617402701    | RESIST. BOILER 240V 9688W     | BOILER HEATING ELEM. 240V 9688W  | X |       | s t u 220-240V<br>Up to 2022/40<br>Order KIT<br>0CBAMP              |
| 404     |                 | 617404100    | RESIST. BOILER 240V 19600W    | BOILER HEATING ELEM. 240V 19600W | X |       | s t u 220-240V<br>From 2022/41                                      |
| 404     | 0CK024          | 617402C01    | RESIST. BOILER 240V 19375W    | BOILER HEATING ELEM. 240V 19375W | X |       | l m n o y z a1<br>220-240V<br>Order KIT<br>0CBAMQ                   |
| 404     | 0CK399          | 617402601    | RESIST. BOILER 208V 9000W     | BOILER HEATING ELEM. 208V 9000W  | X |       | d e f g 200-208V<br>Order KIT<br>0CBAMT                             |
| 404     | 0CK399          | 617402601    | RESIST. BOILER 208V 9000W     | BOILER HEATING ELEM. 208V 9000W  | X |       | s t u 200-208V<br>Up to 2022/40<br>Order KIT<br>0CBAMT              |
| 404     |                 | 617404000    | RESIST. BOILER 208V 18000W    | BOILER HEATING ELEM. 208V 18000W | X |       | s t u 200-208V<br>From 2022/41                                      |
| 404     | 0CK400          | 617402A01    | RESIST. BOILER 480V 9000W     | BOILER HEATING ELEM. 480V 9000W  | X |       | d e f g 460-480V<br>Order KIT<br>0CBAMU                             |
| 404     | 0CK400          | 617402A01    | RESIST. BOILER 480V 9000W     | BOILER HEATING ELEM. 480V 9000W  | X |       | s t u 460-480V<br>Up to 2022/40<br>Order KIT<br>0CBAMU              |
| 404     | 0CBAWP          | 617403Z00    | RESIST. BOILER 480V 18000W    | BOILER HEATING ELEM. 480V 18000W | X |       | s t u 460-480V<br>From 2022/41                                      |

| SKYLINE |                 |              |                               |                                  |   |       |   |  |
|---------|-----------------|--------------|-------------------------------|----------------------------------|---|-------|---|--|
| Pos     | Spare part Code | Factory code | Descrizione                   | Description                      | V | W & T | S | Ref./Notes   |
| 404     | 0CK401          | 617402B01    | RESIST. BOILER 208V 18000W    | BOILER HEATING ELEM. 208V 18000W | X |       |   | l m n o y z a1<br>200-208V<br>Order KIT<br>0CBAMV  |
| 404     | 0CK402          | 617402G01    | RESIST. BOILER 480V 18000W    | BOILER HEATING ELEM. 480V 18000W | X |       |   | l m n o y z a1<br>460-480V<br>Order KIT<br>0CBAMW  |
| 404     | 0CK611          | 617402901    | RESIST. BOILER 440V 9423W     | BOILER HEATING ELEM. 440V 9423W  | X |       |   | d e f g 440V<br>Order KIT<br>0CBAMX                |
| 404     | 0CK611          | 617402901    | RESIST. BOILER 440V 9423W     | BOILER HEATING ELEM. 440V 9423W  | X |       |   | s t u 440V<br>Up to 2022/40<br>Order KIT<br>0CBAMX |
| 404     | 0CBAWO          | 617403Y00    | RESIST. BOILER 440V 18846W    | BOILER HEATING ELEM. 440V 18846W | X |       |   | s t u 440V<br>From 2022/41                         |
| 404     | 0CK613          | 617402F01    | RESIST. BOILER 440V 18847W    | BOILER HEATING ELEM. 440V 18847W | X |       |   | l m n o y z a1<br>440V<br>Order KIT<br>0CBAMY      |
| 405     | 0CK188          | 515404902    | TUBO INGRESSO ARIA            | AIR INLET PIPE                   |   |       |   |  |
| 406     | 0CK270          | 83040BY01    | SENSORE DI TEMPERATURA BOILER | BOILER TEMPERATURE SENSOR        | X | X     |   |  |
| 407     | 0CK006          | 805409304    | ASSIEME VALVOLA ARIA          | AIR INLET VALVE                  | X | X     |   | Order KIT<br>0CBAKO                                |
| 407a    | 0CK642          | 543402R01    | GUARNIZIONE VALVOLA ARIA      | AIR INLET VALVE GASKET           |   |       |   |  |
| 408     | 0CK072          | 569400Q00    | KIT TENUTA ALBERO MOTORE      | MOTOR SHAFT SEALING KIT          |   | X     |   |  |
| 409     | 0CK871          | 541403900    | TEGOLO PARAGOCCE              | DRIP PROTECTION                  |   |       |   |  |
| 410     | 0CK200          | 504409J00    | VENTOLA GN 1/1                | FAN GN1/1                        |   |       |   | a b c d e f g h<br>q r s t u v                     |
| 410     | 0CK201          | 504409K00    | VENTOLA GN 2/1                | FAN GN 2/1                       |   |       |   | l j k l m n o p w<br>x y z a1 b1                   |
| 411     | 0CK211          | 617401N02    | RESISTENZA CELLA 400V 6 1/1   | CAVITY HEATING ELEM. 400V 6 1/1  | X |       |   | a b c d e f g h<br>400V<br>Order KIT<br>0CBAL8     |
| 411     | 0CK213          | 617401Y02    | RESISTENZA CELLA 400V 10 1/1  | CAVITY HEATING ELEM. 400V 10 1/1 | X |       |   | q r s t u v<br>400V<br>Order KIT<br>0CBAMA         |
| 411     | 0CK210          | 617401T02    | RESISTENZA CELLA 400V 6 2/1   | CAVITY HEATING ELEM. 400V 6 2/1  | X |       |   | i j k l m n o p<br>400V<br>Order KIT<br>0CBAL7     |
| 411     | 0CK212          | 617402302    | RESISTENZA CELLA 400V 10 2/1  | CAVITY HEATING ELEM. 400V 10 2/1 | X |       |   | w x y z a1 b1<br>400V<br>Order KIT<br>0CBAL9       |
| 411     | 0CK019          | 617401M01    | RESISTENZA CELLA 240V 6 1/1   | CAVITY HEATING ELEM. 240V 6 1/1  | X |       |   | a b c d e f g h<br>240V<br>Order KIT<br>0CBAL3     |
| 411     | 0CK021          | 617401X01    | RESISTENZA CELLA 240V 10 1/1  | CAVITY HEATING ELEM. 240V 10 1/1 | X |       |   | q r s t u v<br>240V<br>Order KIT<br>0CBAL5         |
| 411     | 0CK020          | 617401S01    | RESISTENZA CELLA 240V 6 2/1   | CAVITY HEATING ELEM. 240V 6 2/1  | X |       |   | i j k l m n o p<br>240V<br>Order KIT<br>0CBAL4     |
| 411     | 0CK022          | 617402201    | RESISTENZA CELLA 240V 10 2/1  | CAVITY HEATING ELEM. 240V 10 2/1 | X |       |   | w x y z a1 b1<br>240V<br>Order KIT<br>0CBAL6       |

| SKYLINE |                 |              |                              |                                  |   |       |   |  |
|---------|-----------------|--------------|------------------------------|----------------------------------|---|-------|---|--|
| Pos     | Spare part Code | Factory code | Descrizione                  | Description                      | V | W & T | S | Ref./Notes   |
| 411     | 0CK391          | 617401L01    | RESISTENZA CELLA 208V 6 1/1  | CAVITY HEATING ELEM. 208V 6 1/1  | X |       |   | a b c d e f g h<br>208V<br>Order KIT<br>0CBAMB                           |
| 411     | 0CK392          | 617401Q01    | RESISTENZA CELLA 480V 6 1/1  | CAVITY HEATING ELEM. 480V 6 1/1  | X |       |   | a b c d e f g h<br>480V<br>Order KIT<br>0CBAMC                           |
| 411     | 0CK393          | 617401R01    | RESISTENZA CELLA 208V 6 2/1  | CAVITY HEATING ELEM. 208V 6 2/1  | X |       |   | i j k l m n o p<br>208V<br>Order KIT<br>0CBAMD                           |
| 411     | 0CK394          | 617401V01    | RESISTENZA CELLA 480V 6 2/1  | CAVITY HEATING ELEM. 480V 6 2/1  | X |       |   | i j k l m n o p<br>480V<br>Order KIT<br>0CBAME                           |
| 411     | 0CK395          | 617401W01    | RESISTENZA CELLA 208V 10 1/1 | CAVITY HEATING ELEM. 208V 10 1/1 | X |       |   | q r s t u v<br>208V<br>Order KIT<br>0CBAMF                               |
| 411     | 0CK396          | 617402001    | RESISTENZA CELLA 480V 10 1/1 | CAVITY HEATING ELEM. 480V 10 1/1 | X |       |   | q r s t u v<br>480V<br>Order KIT<br>0CBAMG                               |
| 411     | 0CK397          | 617402101    | RESISTENZA CELLA 208V 10 2/1 | CAVITY HEATING ELEM. 208V 10 2/1 | X |       |   | w x y z a1 b1<br>208V<br>Order KIT<br>0CBAMH                             |
| 411     | 0CK398          | 617402501    | RESISTENZA CELLA 480V 10 2/1 | CAVITY HEATING ELEM. 480V 10 2/1 | X |       |   | w x y z a1 b1<br>480V<br>Order KIT<br>0CBAMI                             |
| 411     | 0CK612          | 617401P01    | RESISTENZA CELLA 440V 6 1/1  | CAVITY HEATING ELEM. 440V 6 1/1  | X |       |   | a b c d e f g h<br>440V MARINE<br>Order KIT<br>0CBAMO                    |
| 411     | 0CK589          | 617401U01    | RESISTENZA CELLA 440V 6 2/1  | CAVITY HEATING ELEM. 440V 6 2/1  | X |       |   | i j k l m n o p<br>440V -<br>MARINE/AUS<br>Order KIT<br>0CBAML           |
| 411     | 0CK590          | 617401Z01    | RESISTENZA CELLA 440V 10 1/1 | CAVITY HEATING ELEM. 440V 10 1/1 | X |       |   | q r s t u v<br>440V -<br>MARINE/AUS<br>Order KIT<br>0CBAMM               |
| 411     | 0CK610          | 617402401    | RESISTENZA CELLA 440V 10 2/1 | CAVITY HEATING ELEM. 440V 10 2/1 | X |       |   | w x y z a1 b1<br>440V MARINE<br>Order KIT<br>0CBAMN                      |
| 412     | 0CK216          | 514404Z03    | PERNO SUPPORTO MOTORE        | MOTOR PIN SUPPORT                |   |       |   |  |
| 413     | 0CK150          | 611400C02    | MOTORE FIR 750W              | FIR MOTOR 750W                   | X |       |   | i j k l m n o p w<br>x y z a1 b1<br>Up to 2022/40<br>Order KIT<br>0CBAMZ |
| 413     | 0CK423          | 611400A01    | MOTORE HANNING 750W          | HANNING MOTOR 750W               | X |       |   | i j k l m n o p<br>w x y z a1 b1<br>From 2022/41                         |
| 413     | 0CK422          | 611400B03    | MOTORE FIR 450W              | FIR MOTOR 450W                   | X |       |   | a b c d e f g h<br>q r s t u v<br>Order KIT<br>0CBANO                    |
| 414     | 0CBAWR          | 0646400L00   | KLIXON                       | BOILER SAFETY THERMOSTAT         |   |       |   | From 2022/41   |
| 414a    | 0CBAWQ          | 0638407C00   | CABLAGGIO TERMOSTATO BOILER  | BOILER SAFETY THERMOSTAT WIRING  |   |       |   | From 2022/41   |
| 415     | 0CK189          | 544401B01    | TUBO INGRESSO VAPORE         | STEAM INLET HOSE                 | X | X     |   |  |

SKYLINE

| Pos | Spare part Code | Factory code     | Descrizione                     | Description                     | V | W & T | S | Ref./Notes                                      |
|-----|-----------------|------------------|---------------------------------|---------------------------------|---|-------|---|---|
| 416 | 0CK309          | 217016205        | VITE TENUTA VENTOLA             | FAN SCREW                       |   | X     |   |   |
| 417 | 0CK310          | 206300900        | RONDELLA                        | WASHER                          |   | X     |   |   |
| 418 | <b>0CK311</b>   | <b>560401703</b> | <b>ISOLANTE BOILER 6 1/1</b>    | <b>BOILER INSULATION 6 1/1</b>  |   | X     |   | d e f g   |
| 418 | <b>0CK312</b>   | <b>560401A03</b> | <b>ISOLANTE BOILER 10 1/1</b>   | <b>BOILER INSULATION 10 1/1</b> |   | X     |   | s t u<br>Up to 2022/40                          |
| 418 | <b>0CBAWM</b>   | <b>560402P00</b> | <b>ISOLANTE BOILER 10 1/1</b>   | <b>BOILER INSULATION 10 1/1</b> |   | X     |   | s t u<br>From 2022/41                           |
| 418 | <b>0CK313</b>   | <b>560401803</b> | <b>ISOLANTE BOILER 6 2/1</b>    | <b>BOILER INSULATION 6 2/1</b>  |   | X     |   | l m n o   |
| 418 | <b>0CK314</b>   | <b>560401903</b> | <b>ISOLANTE BOILER 10 2/1</b>   | <b>BOILER INSULATION 10 2/1</b> |   | X     |   | y z a1  |
| 419 | 006451          | 147018082        | NASTRO ADESIVO ALLUMINATO       | ALLUMINIUM ADHESIVE TAPE        |   | X     |   |   |
| 420 | 0CK117          | 569400Z00        | GUARNIZIONE 6 1/1               | GASKET 6 1/1                    | X | X     |   | a b c d e f g h                                 |
| 420 | 0CK118          | 569401000        | GUARNIZIONE 6 2/1-10 1/1-10 2/1 | GASKET 6 2/1-10 1/1-10 2/1      | X | X     |   | i j k l m n o p q<br>r s t u v w x y z<br>a1 b1 |
| 429 | 0CK403          | 624400P01        | TRASFORMATORE TOROIDALE 550VA   | TRANSFORMER 550 VA              |   |       |   | 100-120-200-<br>208-220-230-<br>240 V           |
| 430 | 0CK404          | 624400Q01        | TRASFORMATORE TOROIDALE 1450VA  | TRANSFORMER 1450 VA             |   |       |   | 0-230-380-<br>400-415-440-<br>460-480 V         |
| 431 | 0CK592          | 9F92263600       | KIT SCARICO ACCIAIO             | STEEL PIPES                     |   |       |   |   |
| 432 | 0CK593          | 9F92263700       | KIT SCARICO PLASTICA            | PLASTIC PIPES                   |   |       |   |   |

SKYLINE – KIT DI MANUTENZIONE – MAINTENANCE KIT

| Spare Part Code KIT | Description KIT             | Spare Part Code | S.P. Q.ty | Spare part position | Descrizione Spare part    | Spare part Description | Ref./Note                         |
|---------------------|-----------------------------|-----------------|-----------|---------------------|---------------------------|------------------------|-----------------------------------|
| 0CK891              | 6 GRIDS GN 1/1;<br>PPM KIT  |                 |           |                     |                           |                        | 6 GRIDS GN 1/1                    |
|                     |                             | 0CK222          | 1         | 115                 | GUARNIZIONE CELLA-PORTA   | DOOR GASKET            |                                   |
|                     |                             | 0CK226          | 1         | 118                 | FILTRO ARIA               | AIR FILTER             |                                   |
| 0CK892              | 6 GRIDS GN 2/1;<br>PPM KIT  |                 |           |                     |                           |                        | 6 GRIDS GN 2/1                    |
|                     |                             | 0CK121          | 1         | 115                 | GUARNIZIONE CELLA-PORTA   | OVEN DOOR GASKET       |                                   |
|                     |                             | 0CK226          | 1         | 118                 | FILTRO ARIA               | AIR FILTER             |                                   |
| 0CK893              | 10 GRIDS GN 1/1;<br>PPM KIT |                 |           |                     |                           |                        | 10 GRIDS GN 1/1                   |
|                     |                             | 0CK120          | 1         | 115                 | GUARNIZIONE CELLA-PORTA   | OVEN DOOR GASKET       |                                   |
|                     |                             | 0CK226          | 1         | 118                 | FILTRO ARIA               | AIR FILTER             |                                   |
| 0CK894              | 10 GRIDS GN 2/1;<br>PPM KIT |                 |           |                     |                           |                        | 10 GRIDS GN 2/1                   |
|                     |                             | 0CK223          | 1         | 115                 | GUARNIZIONE CELLA-PORTA   | DOOR GASKET            |                                   |
|                     |                             | 0CK226          | 1         | 118                 | FILTRO ARIA               | AIR FILTER             |                                   |
| 0CK360              | SKL OV PM KIT 1             |                 |           |                     |                           |                        | 10 GN 1/1 - BOILER/<br>BOILERLESS |
|                     |                             | 0CK120          | 1         | 115                 | GUARNIZIONE CELLA-PORTA   | DOOR GASKET            |                                   |
|                     |                             | 0CK226          | 1         | 118                 | FILTRO ARIA               | AIR FILTER             |                                   |
|                     |                             | 0CK195          | 1         | 125                 | VALVOLA SCARICO VASCHETTA | CHECK VALVE            |                                   |
|                     |                             | 0CK323          | 1         | 131                 | BOCCOLA IGUS              | BUSH IGUS              |                                   |
|                     |                             | 0CK119          | 2         |                     | GUARN. CANDELINA ACC.NE   | IGNITION ROD GASKET    |                                   |
|                     |                             | 0CK115          | 2         |                     | GUARNIZIONE BRUCIATORE    | BURNER GASKET          |                                   |
|                     |                             | 0CK116          | 2         |                     | GUARNIZIONE BRUCIATORE    | BURNER GASKET          |                                   |
| 0CK361              | SKL OV PM KIT 2             |                 |           |                     |                           |                        | 6 GN 2/1 - BOILER/<br>BOILERLESS  |
|                     |                             | 0CK121          | 1         | 115                 | GUARNIZIONE CELLA-PORTA   | DOOR GASKET            |                                   |
|                     |                             | 0CK226          | 1         | 118                 | FILTRO ARIA               | AIR FILTER             |                                   |
|                     |                             | 0CK195          | 1         | 125                 | VALVOLA SCARICO VASCHETTA | CHECK VALVE            |                                   |
|                     |                             | 0CK323          | 1         | 131                 | BOCCOLA IGUS              | BUSH IGUS              |                                   |
|                     |                             | 0CK119          | 2         |                     | GUARN. CANDELINA ACC.NE   | IGNITION ROD GASKET    |                                   |
|                     |                             | 0CK115          | 2         |                     | GUARNIZIONE BRUCIATORE    | BURNER GASKET          |                                   |
|                     |                             | 0CK116          | 2         |                     | GUARNIZIONE BRUCIATORE    | BURNER GASKET          |                                   |
| 0CK362              | SKL OV PM KIT 3             |                 |           |                     |                           |                        | 6 GN 1/1 - BOILER/<br>BOILERLESS  |
|                     |                             | 0CK222          | 1         | 115                 | GUARNIZIONE CELLA-PORTA   | DOOR GASKET            |                                   |
|                     |                             | 0CK226          | 1         | 118                 | FILTRO ARIA               | AIR FILTER             |                                   |
|                     |                             | 0CK195          | 1         | 125                 | VALVOLA SCARICO VASCHETTA | CHECK VALVE            |                                   |
|                     |                             | 0CK323          | 1         | 131                 | BOCCOLA IGUS              | BUSH IGUS              |                                   |
|                     |                             | 0CK119          | 2         |                     | GUARN. CANDELINA ACC.NE   | IGNITION ROD GASKET    |                                   |
|                     |                             | 0CK115          | 2         |                     | GUARNIZIONE BRUCIATORE    | BURNER GASKET          |                                   |
|                     |                             | 0CK116          | 2         |                     | GUARNIZIONE BRUCIATORE    | BURNER GASKET          |                                   |

SKYLINE – KIT DI MANUTENZIONE – MAINTENANCE KIT

| Spare Part Code KIT | Description KIT        | Spare Part Code | S.P. Q.ty | Spare part position | Descrizione Spare part          | Spare part Description | Ref./Note                             |
|---------------------|------------------------|-----------------|-----------|---------------------|---------------------------------|------------------------|---------------------------------------|
| <b>0CK363</b>       | <b>SKL OV PM KIT 4</b> |                 |           |                     |                                 |                        | <b>10 GN 2/1 - BOILER/ BOILERLESS</b> |
|                     |                        | 0CK223          | 1         | 115                 | GUARNIZIONE CELLA-PORTA         | DOOR GASKET            |                                       |
|                     |                        | 0CK226          | 1         | 118                 | FILTRO ARIA                     | AIR FILTER             |                                       |
|                     |                        | 0CK195          | 1         | 125                 | VALVOLA SCARICO VASCHETTA       | CHECK VALVE            |                                       |
|                     |                        | 0CK323          | 1         | 131                 | BOCCOLA IGUS                    | BUSH IGUS              |                                       |
|                     |                        | 0CK119          | 2         |                     | GUARN. CANDELINA ACC.NE         | IGNITION ROD GASKET    |                                       |
|                     |                        | 0CK115          | 2         |                     | GUARNIZIONE BRUCIATORE          | BURNER GASKET          |                                       |
|                     |                        | 0CK116          | 2         |                     | GUARNIZIONE BRUCIATORE          | BURNER GASKET          |                                       |
| <b>0CK364</b>       | <b>SKL OV PM KIT 5</b> |                 |           |                     |                                 |                        | <b>10 GN 1/1 - BOILER/ BOILERLESS</b> |
|                     |                        | 0CK120          | 1         | 115                 | GUARNIZIONE CELLA-PORTA         | DOOR GASKET            |                                       |
|                     |                        | 0CK226          | 1         | 118                 | FILTRO ARIA                     | AIR FILTER             |                                       |
|                     |                        | 0CK195          | 1         | 125                 | VALVOLA SCARICO VASCHETTA       | CHECK VALVE            |                                       |
|                     |                        | 0CK323          | 1         | 131                 | BOCCOLA IGUS                    | BUSH IGUS              |                                       |
|                     |                        | 0CK119          | 2         |                     | GUARN. CANDELINA ACC.NE         | IGNITION ROD GASKET    |                                       |
|                     |                        | 0CK115          | 2         |                     | GUARNIZIONE BRUCIATORE          | BURNER GASKET          |                                       |
|                     |                        | 0CK116          | 2         |                     | GUARNIZIONE BRUCIATORE          | BURNER GASKET          |                                       |
|                     |                        | 0CK143          | 1         | 111                 | MECCANISMO CHIUSURA PORTA       | CLOSING MECHANISM      |                                       |
|                     |                        | 0CK087          | 1         | 313                 | CILINDRO PASTIGLIE              | CYLINDER FOR TABS      |                                       |
|                     |                        | 0CK322          | 1         | 357                 | ASSIEME TAPPO SERBATOIO CHIMICA | CUP TANK ASSEMBLY      |                                       |
| <b>0CK365</b>       | <b>SKL OV PM KIT 6</b> |                 |           |                     |                                 |                        | <b>6 GN 2/1 - BOILER/ BOILERLESS</b>  |
|                     |                        | 0CK121          | 1         | 115                 | GUARNIZIONE CELLA-PORTA         | DOOR GASKET            |                                       |
|                     |                        | 0CK226          | 1         | 118                 | FILTRO ARIA                     | AIR FILTER             |                                       |
|                     |                        | 0CK195          | 1         | 125                 | VALVOLA SCARICO VASCHETTA       | CHECK VALVE            |                                       |
|                     |                        | 0CK323          | 1         | 131                 | BOCCOLA IGUS                    | BUSH IGUS              |                                       |
|                     |                        | 0CK119          | 2         |                     | GUARN. CANDELINA ACC.NE         | IGNITION ROD GASKET    |                                       |
|                     |                        | 0CK115          | 2         |                     | GUARNIZIONE BRUCIATORE          | BURNER GASKET          |                                       |
|                     |                        | 0CK116          | 2         |                     | GUARNIZIONE BRUCIATORE          | BURNER GASKET          |                                       |
|                     |                        | 0CK143          | 1         | 111                 | MECCANISMO CHIUSURA PORTA       | CLOSING MECHANISM      |                                       |
|                     |                        | 0CK087          | 1         | 313                 | CILINDRO PASTIGLIE              | CYLINDER FOR TABS      |                                       |
|                     |                        | 0CK322          | 1         | 357                 | ASSIEME TAPPO SERBATOIO CHIMICA | CUP TANK ASSEMBLY      |                                       |



SKYLINE – KIT DI MANUTENZIONE – MAINTENANCE KIT

| Spare Part Code KIT | Description KIT         | Spare Part Code | S.P. Q.ty | Spare part position | Descrizione Spare part          | Spare part Description         | Ref./Note                             |
|---------------------|-------------------------|-----------------|-----------|---------------------|---------------------------------|--------------------------------|---------------------------------------|
| <b>0CK366</b>       | <b>SKL OV PM KIT 7</b>  |                 |           |                     |                                 |                                | <b>6 GN 1/1 - BOILER/ BOILERLESS</b>  |
|                     |                         | 0CK222          | 1         | 115                 | GUARNIZIONE CELLA-PORTA         | DOOR GASKET                    |                                       |
|                     |                         | 0CK226          | 1         | 118                 | FILTRO ARIA                     | AIR FILTER                     |                                       |
|                     |                         | 0CK195          | 1         | 125                 | VALVOLA SCARICO VASCHETTA       | CHECK VALVE                    |                                       |
|                     |                         | 0CK323          | 1         | 131                 | BOCCOLA IGUS                    | BUSH IGUS                      |                                       |
|                     |                         | 0CK119          | 2         |                     | GUARN. CANDELINA ACC.NE         | IGNITION ROD GASKET            |                                       |
|                     |                         | 0CK115          | 2         |                     | GUARNIZIONE BRUCIATORE          | BURNER GASKET                  |                                       |
|                     |                         | 0CK116          | 2         |                     | GUARNIZIONE BRUCIATORE          | BURNER GASKET                  |                                       |
|                     |                         | 0CK143          | 1         | 111                 | MECCANISMO CHIUSURA PORTA       | CLOSING MECHANISM              |                                       |
|                     |                         | 0CK087          | 1         | 313                 | CILINDRO PASTIGLIE              | CYLINDER FOR TABS              |                                       |
|                     |                         | 0CK322          | 1         | 357                 | ASSIEME TAPPO SERBATOIO CHIMICA | CUP TANK ASSEMBLY              |                                       |
| <b>0CK367</b>       | <b>SKL OV PM KIT 8</b>  |                 |           |                     |                                 |                                | <b>10 GN 2/1 - BOILER/ BOILERLESS</b> |
|                     |                         | 0CK223          | 1         | 115                 | GUARNIZIONE CELLA-PORTA         | DOOR GASKET                    |                                       |
|                     |                         | 0CK226          | 1         | 118                 | FILTRO ARIA                     | AIR FILTER                     |                                       |
|                     |                         | 0CK195          | 1         | 125                 | VALVOLA SCARICO VASCHETTA       | CHECK VALVE                    |                                       |
|                     |                         | 0CK323          | 1         | 131                 | BOCCOLA IGUS                    | BUSH IGUS                      |                                       |
|                     |                         | 0CK119          | 2         |                     | GUARN. CANDELINA ACC.NE         | IGNITION ROD GASKET            |                                       |
|                     |                         | 0CK115          | 2         |                     | GUARNIZIONE BRUCIATORE          | BURNER GASKET                  |                                       |
|                     |                         | 0CK116          | 2         |                     | GUARNIZIONE BRUCIATORE          | BURNER GASKET                  |                                       |
|                     |                         | 0CK143          | 1         | 111                 | MECCANISMO CHIUSURA PORTA       | CLOSING MECHANISM              |                                       |
|                     |                         | 0CK087          | 1         | 313                 | CILINDRO PASTIGLIE              | CYLINDER FOR TABS              |                                       |
|                     |                         | 0CK322          | 1         | 357                 | ASSIEME TAPPO SERBATOIO CHIMICA | CUP TANK ASSEMBLY              |                                       |
| <b>0CK376</b>       | <b>SKL OV PM KIT 17</b> |                 |           |                     |                                 |                                | <b>10 GN 1/1 - BOILER/ BOILERLESS</b> |
|                     |                         | 0CK120          | 1         | 115                 | GUARNIZIONE CELLA-PORTA         | DOOR GASKET                    |                                       |
|                     |                         | 0CK226          | 1         | 118                 | FILTRO ARIA                     | AIR FILTER                     |                                       |
|                     |                         | 0CK195          | 1         | 125                 | VALVOLA SCARICO VASCHETTA       | CHECK VALVE                    |                                       |
|                     |                         | 0CK323          | 1         | 131                 | BOCCOLA IGUS                    | BUSH IGUS                      |                                       |
|                     |                         | 0CK193          | 1         | 329                 | VALVOLA MOTORIZZATA             | MOTORIZED BALL VALVE           |                                       |
|                     |                         | 0CK119          | 2         |                     | GUARN. CANDELINA ACC.NE         | IGNITION ROD GASKET            |                                       |
|                     |                         | 0CK115          | 2         |                     | GUARNIZIONE BRUCIATORE          | BURNER GASKET                  |                                       |
|                     |                         | 0CK116          | 2         |                     | GUARNIZIONE BRUCIATORE          | BURNER GASKET                  |                                       |
|                     |                         | 0CK156          | 1         | 300                 | POMPA LAVAGGIO 220-240V 50/60HZ | CLEANING PUMP 220-240V 50/60HZ |                                       |

SKYLINE – KIT DI MANUTENZIONE – MAINTENANCE KIT

| Spare Part Code KIT | Description KIT         | Spare Part Code | S.P. Q.ty | Spare part position | Descrizione Spare part          | Spare part Description         | Ref./Note                             |
|---------------------|-------------------------|-----------------|-----------|---------------------|---------------------------------|--------------------------------|---------------------------------------|
| <b>0CK377</b>       | <b>SKL OV PM KIT 18</b> |                 |           |                     |                                 |                                | <b>6 GN 2/1 - BOILER/ BOILERLESS</b>  |
|                     |                         | 0CK121          | 1         | 115                 | GUARNIZIONE CELLA-PORTA         | DOOR GASKET                    |                                       |
|                     |                         | 0CK226          | 1         | 118                 | FILTRO ARIA                     | AIR FILTER                     |                                       |
|                     |                         | 0CK195          | 1         | 125                 | VALVOLA SCARICO VASCHETTA       | CHECK VALVE                    |                                       |
|                     |                         | 0CK323          | 1         | 131                 | BOCCOLA IGUS                    | BUSH IGUS                      |                                       |
|                     |                         | 0CK193          | 1         | 329                 | VALVOLA MOTORIZZATA             | MOTORIZED BALL VALVE           |                                       |
|                     |                         | 0CK119          | 2         |                     | GUARN. CANDELINA ACC.NE         | IGNITION ROD GASKET            |                                       |
|                     |                         | 0CK115          | 2         |                     | GUARNIZIONE BRUCIATORE          | BURNER GASKET                  |                                       |
|                     |                         | 0CK116          | 2         |                     | GUARNIZIONE BRUCIATORE          | BURNER GASKET                  |                                       |
|                     |                         | 0CK156          | 1         | 300                 | POMPA LAVAGGIO 220-240V 50/60HZ | CLEANING PUMP 220-240V 50/60HZ |                                       |
| <b>0CK378</b>       | <b>SKL OV PM KIT 19</b> |                 |           |                     |                                 |                                | <b>6 GN 1/1 - BOILER/ BOILERLESS</b>  |
|                     |                         | 0CK222          | 1         | 115                 | GUARNIZIONE CELLA-PORTA         | DOOR GASKET                    |                                       |
|                     |                         | 0CK226          | 1         | 118                 | FILTRO ARIA                     | AIR FILTER                     |                                       |
|                     |                         | 0CK195          | 1         | 125                 | VALVOLA SCARICO VASCHETTA       | CHECK VALVE                    |                                       |
|                     |                         | 0CK323          | 1         | 131                 | BOCCOLA IGUS                    | BUSH IGUS                      |                                       |
|                     |                         | 0CK193          | 1         | 329                 | VALVOLA MOTORIZZATA             | MOTORIZED BALL VALVE           |                                       |
|                     |                         | 0CK119          | 2         |                     | GUARN. CANDELINA ACC.NE         | IGNITION ROD GASKET            |                                       |
|                     |                         | 0CK115          | 2         |                     | GUARNIZIONE BRUCIATORE          | BURNER GASKET                  |                                       |
|                     |                         | 0CK116          | 2         |                     | GUARNIZIONE BRUCIATORE          | BURNER GASKET                  |                                       |
|                     |                         | 0CK156          | 1         | 300                 | POMPA LAVAGGIO 220-240V 50/60HZ | CLEANING PUMP 220-240V 50/60HZ |                                       |
| <b>0CK379</b>       | <b>SKL OV PM KIT 20</b> |                 |           |                     |                                 |                                | <b>10 GN 2/1 - BOILER/ BOILERLESS</b> |
|                     |                         | 0CK223          | 1         | 115                 | GUARNIZIONE CELLA-PORTA         | DOOR GASKET                    |                                       |
|                     |                         | 0CK226          | 1         | 118                 | FILTRO ARIA                     | AIR FILTER                     |                                       |
|                     |                         | 0CK195          | 1         | 125                 | VALVOLA SCARICO VASCHETTA       | CHECK VALVE                    |                                       |
|                     |                         | 0CK323          | 1         | 131                 | BOCCOLA IGUS                    | BUSH IGUS                      |                                       |
|                     |                         | 0CK193          | 1         | 329                 | VALVOLA MOTORIZZATA             | MOTORIZED BALL VALVE           |                                       |
|                     |                         | 0CK119          | 2         |                     | GUARN. CANDELINA ACC.NE         | IGNITION ROD GASKET            |                                       |
|                     |                         | 0CK115          | 2         |                     | GUARNIZIONE BRUCIATORE          | BURNER GASKET                  |                                       |
|                     |                         | 0CK116          | 2         |                     | GUARNIZIONE BRUCIATORE          | BURNER GASKET                  |                                       |
|                     |                         | 0CK156          | 1         | 300                 | POMPA LAVAGGIO 220-240V 50/60HZ | CLEANING PUMP 220-240V 50/60HZ |                                       |

Electrolux Professional SpA  
Viale Treviso, 15  
33170 Pordenone, ITALY  
Fax (+39) 0434 380 201  
<https://www.electroluxprofessional.com>  
<https://webgate.electroluxprofessional.com>