

SKYLINE/MAGISTAR GAS OVEN FORNO GAS SKYLINE/MAGISTAR

Type Reference	Ref	Page	Description	note
COG21C20	a		20 grids GN 1/1 - touch convect - double glass - Standard	
COG21C2K	b		20 grids GN 1/1 - touch convect - double glass - Smok-er/Aromatizer	
COG21C30	c		20 grids GN 1/1 - touch convect - triple glass - Standard	
COG21D20	d		20 grids GN 1/1 - digital steam - double glass - Standard	
COG21T20	e		20 grids GN 1/1 - touch steam - double glass - Standard	
COG21T2K	f		20 grids GN 1/1 - touch steam - double glass - Smoker/Aromatizer	
COG21T30	g		20 grids GN 1/1 - touch steam - triple glass - Standard	
COG21V20	h		20 grids GN 1/1 - digital convect - double glass - Standard	
COG22C20	i		20 grids GN 2/1 - touch convect - double glass - Standard	
COG22C2K	j		20 grids GN 2/1 - touch convect - double glass - Smok-er/Aromatizer	
COG22C30	k		20 grids GN 2/1 - touch convect - triple glass - Standard	
COG22D20	l		20 grids GN 2/1 - digital steam - double glass - Standard	
COG22T20	m		20 grids GN 2/1 - touch steam - double glass - Standard	
COG22T2K	n		20 grids GN 2/1 - touch steam - double glass - Smoker/Aromatizer	
COG22T30	o		20 grids GN 2/1 - touch steam - triple glass - Standard	
COG22V20	p		20 grids GN 2/1 - digital convect - double glass - Standard	
COG22V30	q		20 grids GN 2/1 - digital convect - triple glass - Standard	

Index

Description Type Reference/Descrizione Type Reference	2
Oven cabinet and door/Cella forno e porta	3
Electrical components/Componenti elettrici	4
Water system/Impianto idraulico	5
Boiler	6
Accessories/Accessori	7
Nozzles tables/Tabelle ugelli	8
Spare parts list / Lista ricambi	9-17

Page

2
3
4
5
6
7
8
9-17

Bold=last change / Grassetto =ultima modifica

V = Vital spare part/Ricambio vitale
W&T = Wear&Tear and Consumable/
Ricambio usurabile e consumabile
S = Suggested/Ricambio suggerito

Rev. 1

From Ser. Nr.... Up to Ser. Nr....	Ed. 2020-01	Page: 1	Doc No:595403Q00
---------------------------------------	-------------	---------	-------------------------

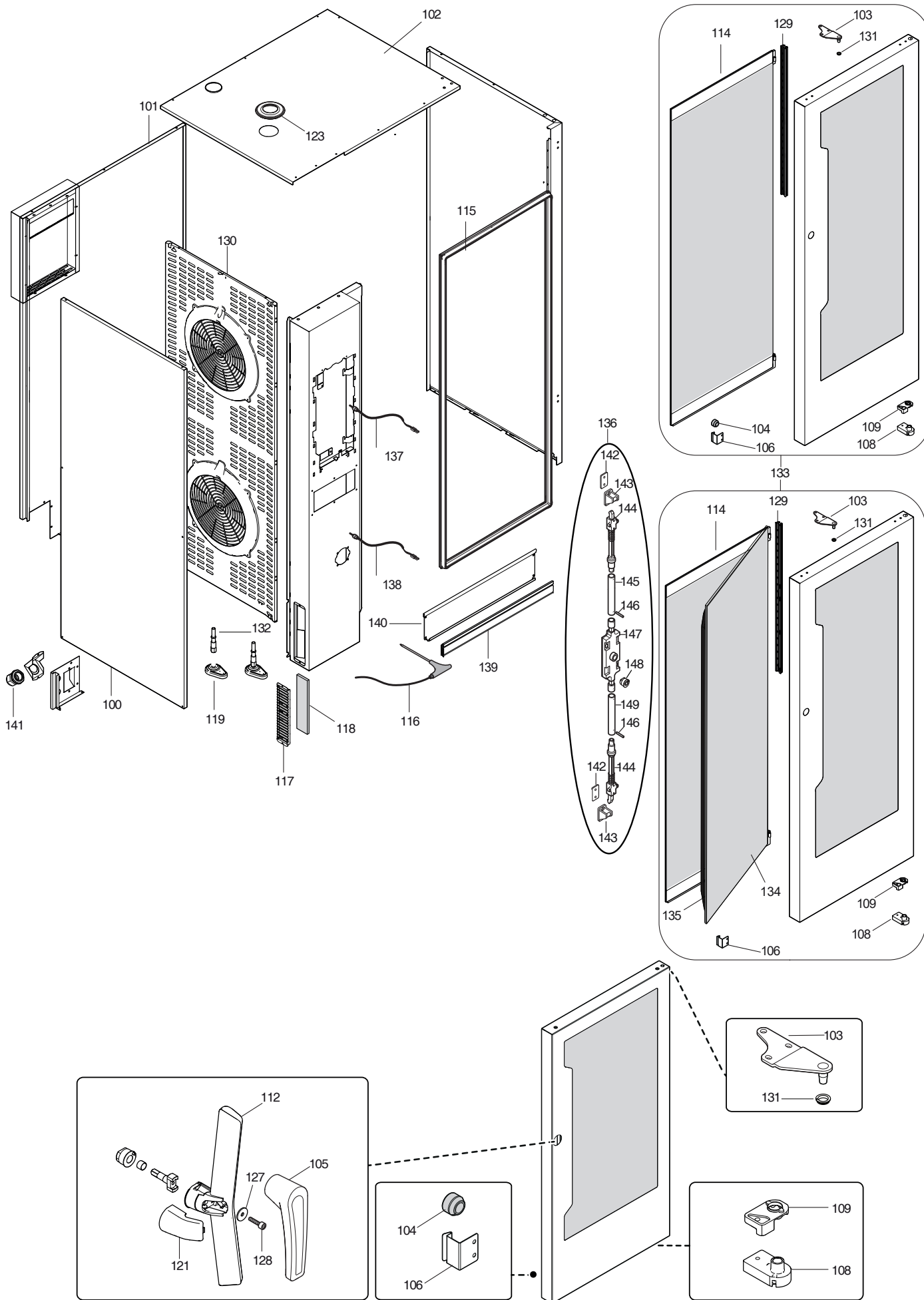
COG * * *

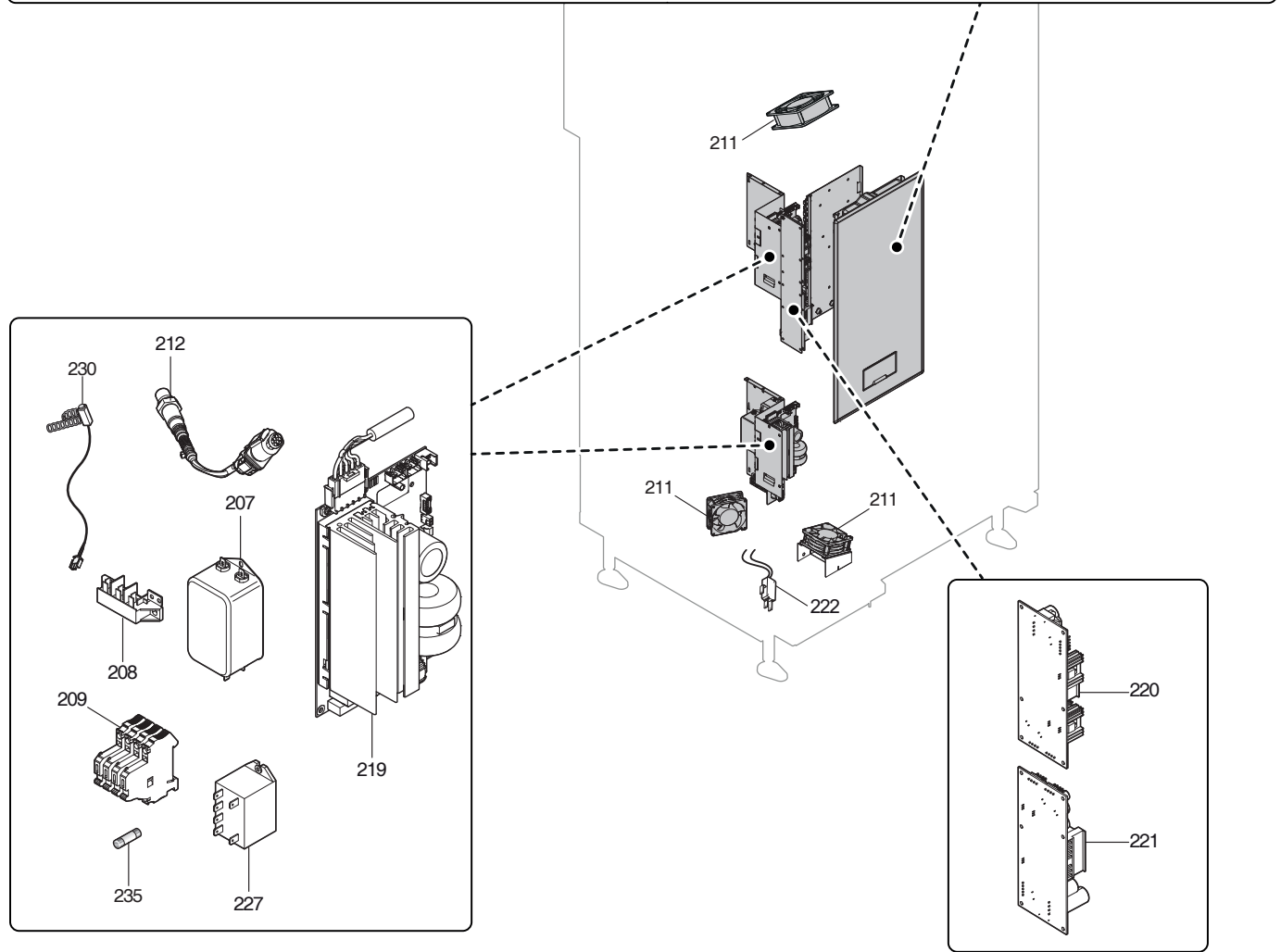
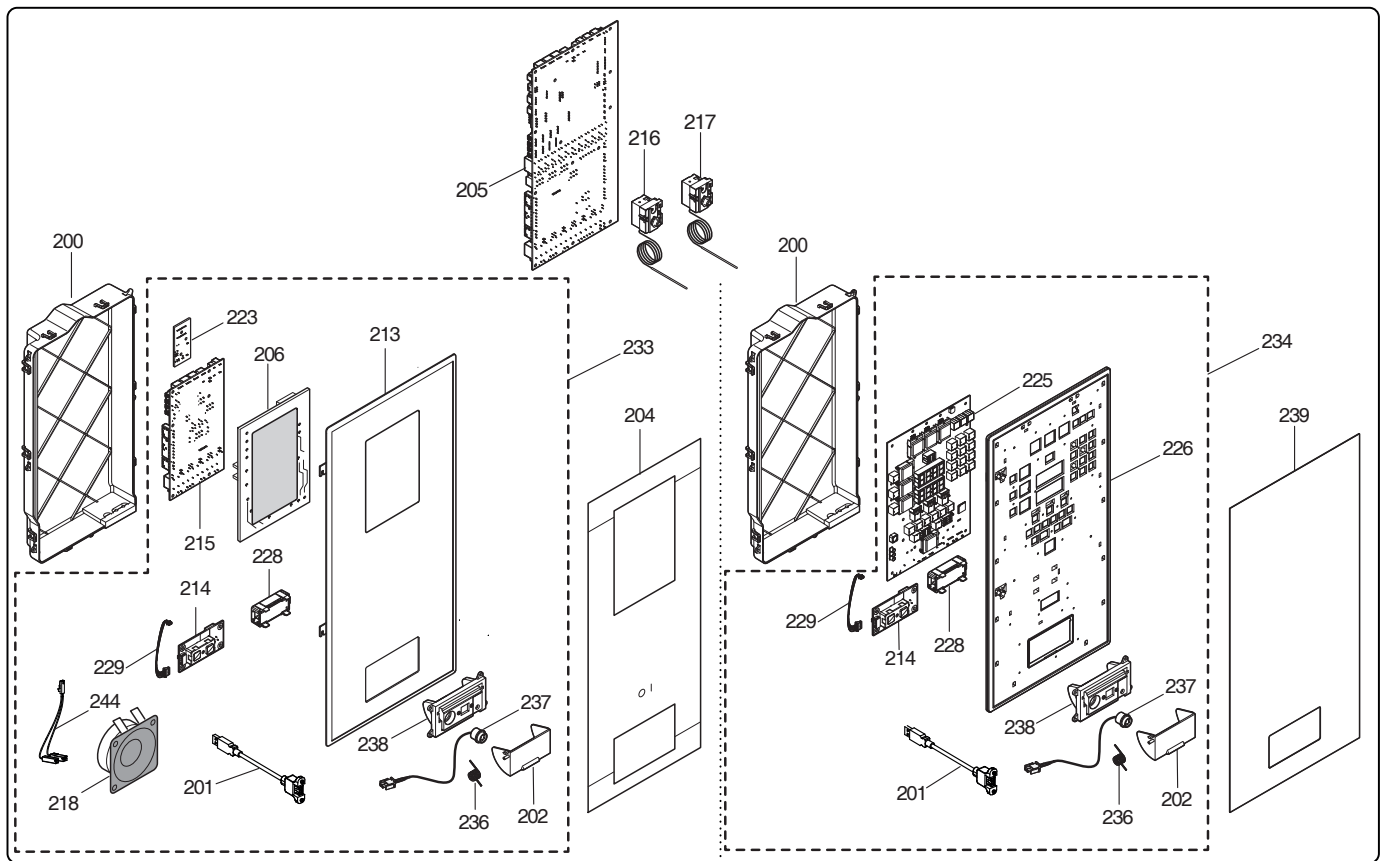
K = Smoker/Aromatizer
0 = Standard

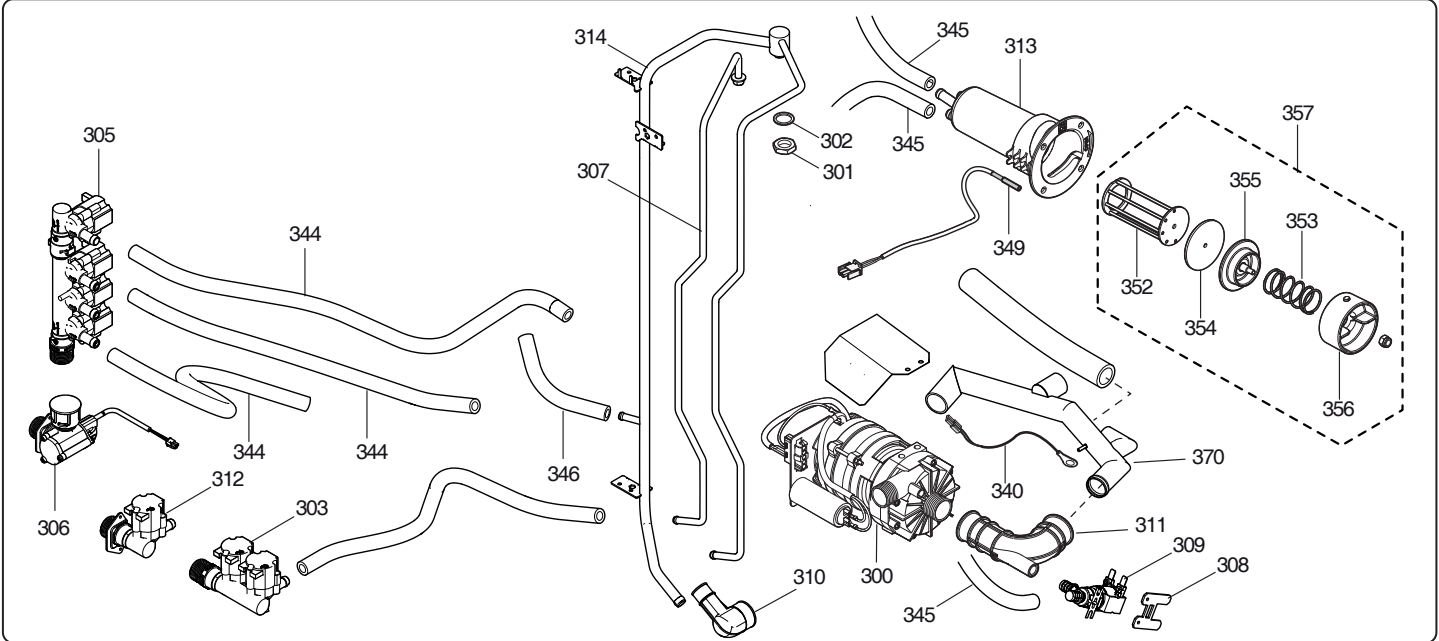
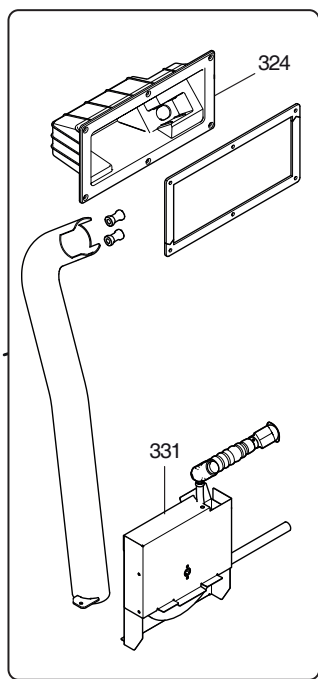
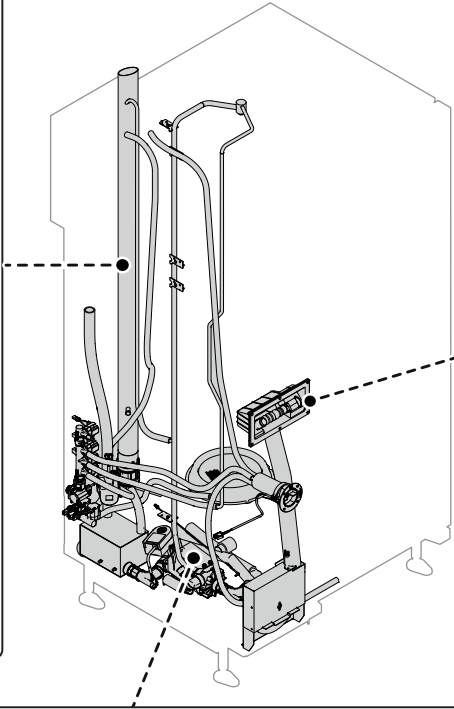
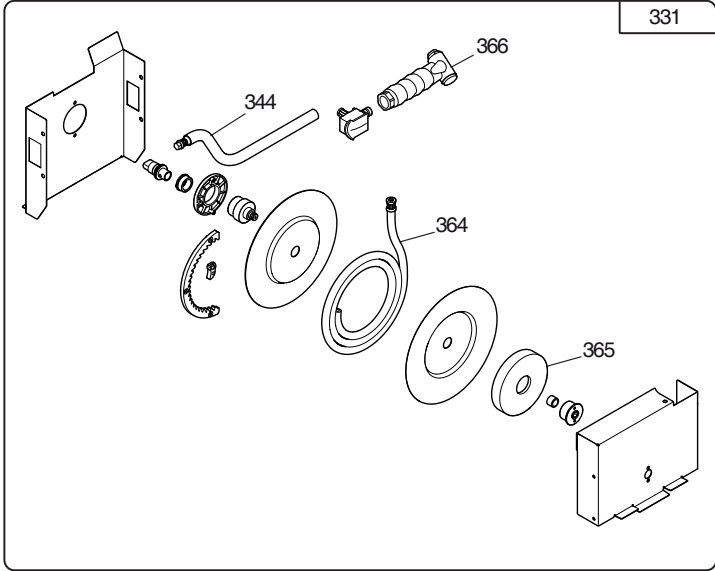
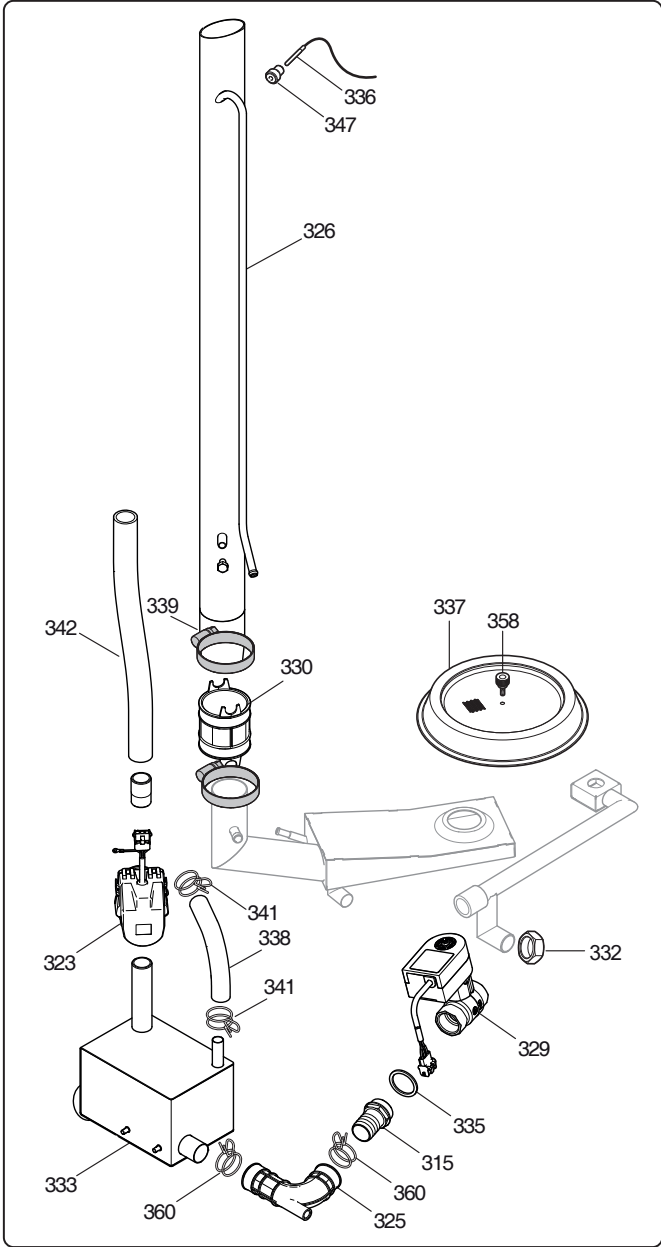
T2 = touch steam - double glass
T3 = touch steam - triple glass
C2 = touch convect – double glass
C3 = touch convect – triple glass
D2 = digital steam – double glass
D3 = digital steam – triple glass
V2 = digital convect – double glass
V3 = digital convect – triple glass

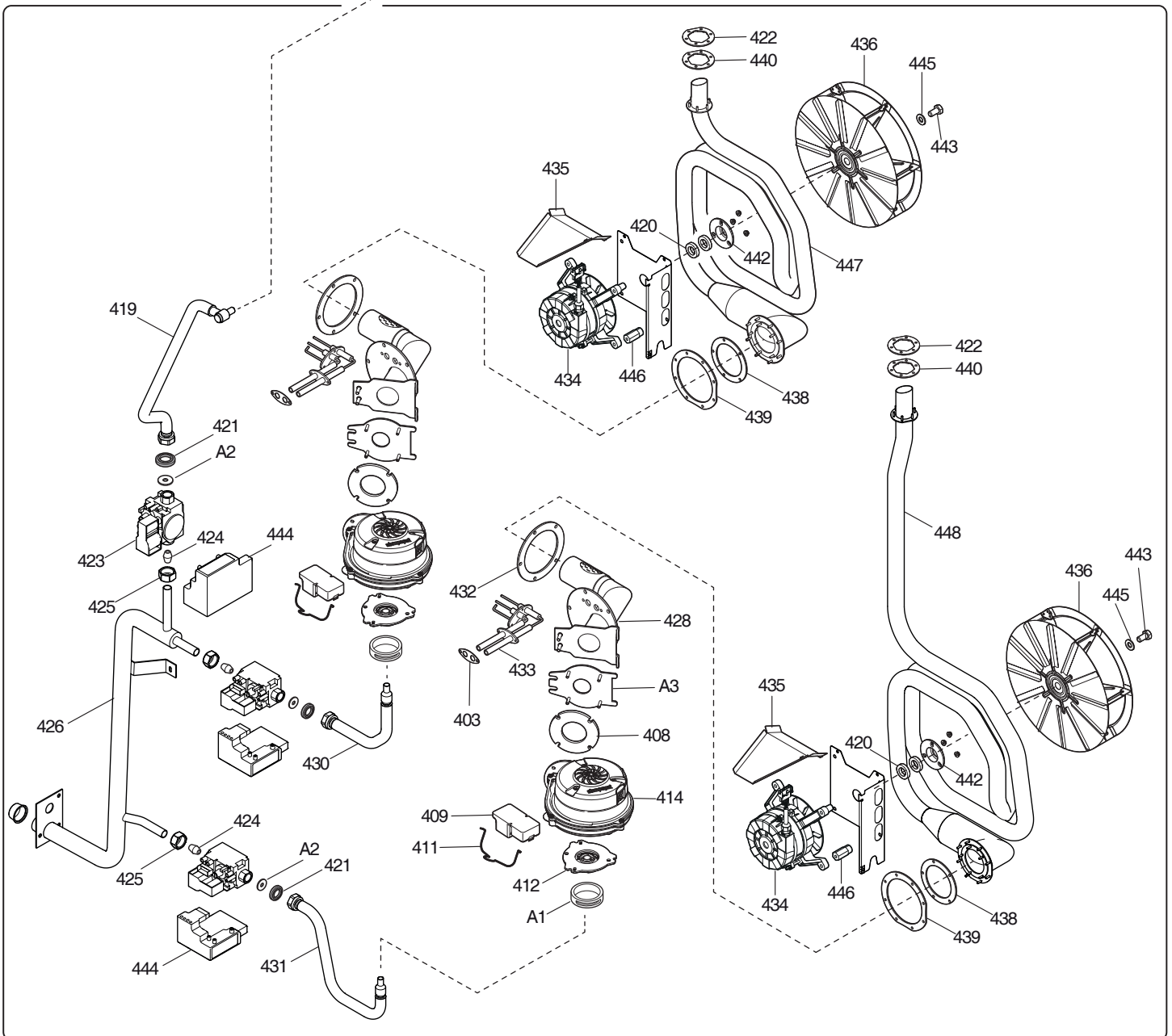
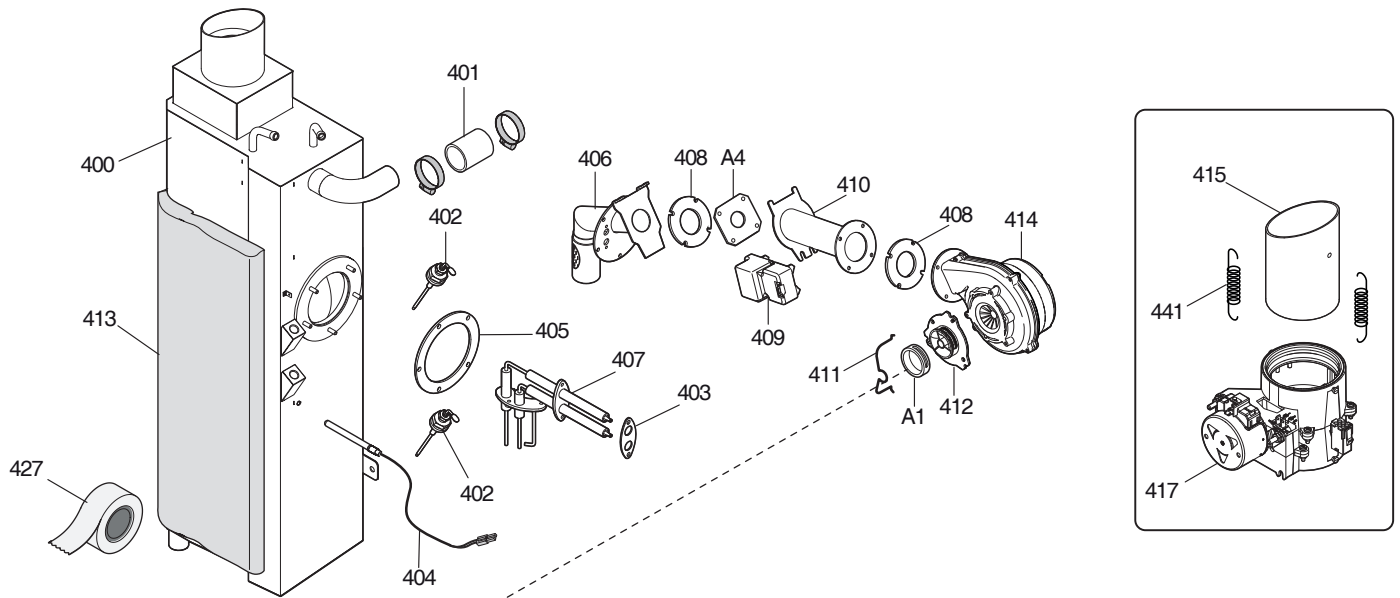
61 = 6 grids GN1/1
62 = 6 grids GN2/1
11 = 10 grids GN1/1
12 = 10 grids GN2/1
21 = 20 grids GN1/1
22 = 20 grids G21/1

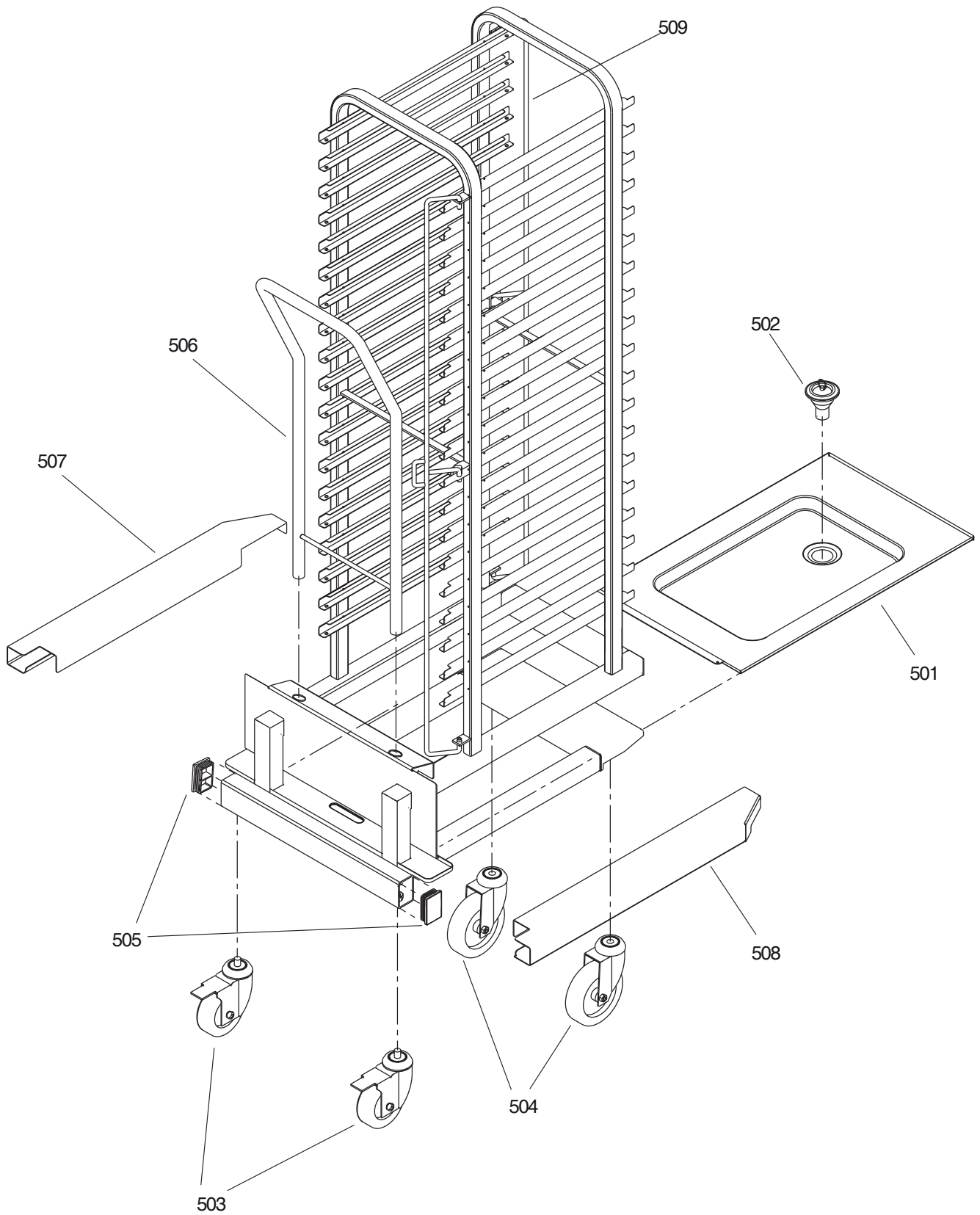
COG = Combi Oven Gas











20 GN 1/1

GAS	AERATORE/AERATOR		DIAFRAMMA/DIAPHRAGM		FLANGIA/FLANGE	
	A1 - CELLA/CAVITY	A1 - BOILER	A2 - CELLA/CAVITY	A2 - BOILER	A3 - CELLA/CAVITY	A4 - BOILER
G20	0CK526 (BIANCO/WHITE)	0C4630 (FUCSIA/FUCHSIA)	0C4384 (ø 4,75)	0CK063 (ø 6,30)	(ø 21)	(ø 23)
G25	0CK526 (BIANCO/WHITE)	0C4630 (FUCSIA/FUCHSIA)	0CK058 (ø 5,35)	0CK067 (ø 7,20)	(ø 21)	(ø 23)
G25.1	0CK526 (BIANCO/WHITE)	0C4630 (FUCSIA/FUCHSIA)	0CK529 (ø 5,55)	0C2444 (ø 7,50)	(ø 21)	(ø 23)
G25.3	0CK526 (BIANCO/WHITE)	0C4630 (FUCSIA/FUCHSIA)	0CK057 (ø 5,20)	0CK066 (ø 7,10)	(ø 21)	(ø 23)
G30	0CK526 (BIANCO/WHITE)	0C4630 (FUCSIA/FUCHSIA)	0CK048(ø 3,75)	0CK055 (ø 4,80)	(ø 21)	(ø 23)
G31/LPG	0CK526 (BIANCO/WHITE)	0C4630 (FUCSIA/FUCHSIA)	0CK050 (ø 3,95)	0CK057 (ø 5,20)	(ø 21)	(ø 23)

SKYLINE								
Pos	Spare part Code	Factory code	Descrizione	Description	V	W & T	S	Ref./Notes
100	0CK492	503407X02	FIANCO SINISTRO 20 1/1	LEFT PANEL 20 1/1				a b c d e f g h
100			FIANCO SINISTRO 20 2/1	LEFT PANEL 20 2/1				i j k l m n o p q
101		503408002	SCHIENALE FORNO 20 1/1	BACK PANEL 20 1/1				a b c d e f g h
101			SCHIENALE FORNO 20 2/1	BACK PANEL 20 2/1				i j k l m n o p q
102		503408302	COPERCHIO FORNO 20 1/1	TOP PANEL 20 1/1				a b c d e f g h
102			COPERCHIO FORNO 20 2/1	TOP PANEL 20 2/1				i j k l m n o p q
103	0C4234	806847803	CERNIERA SUPERIORE	UPPER HINGE	X	X		
104	0CK071	543401S02	AMMORTIZZATORE VETRO INTERNO	INNER GLASS DUMPER		X		a b d e f h i j l m n p
105	0CK319	830409802	MANIGLIA PORTA	DOOR HANDLE	X			ZANUSSI
106	0CK148	50440CX02	MOLLA FERMAVETRO	INNER GLASS STOPPER		X		
108			CERNIERA INFERIORE PORTA	LOWER HINGE	X	X		RIGHT HINGED
109	0CK557	835405A02	POSIZIONATORE INFERIORE	DOOR POSITIONER		X		RIGHT HINGED
112	0CK297	548401U02	MANIGLIA PORTA	DOOR HANDLE	X			ELECTROLUX
114	0CK505	879403901	ASSIEME VETRO INTERNO 20 1/1	INNER GLASS ASSEMBLY 20 1/1	X	X		a b c d e f g h
114	0CK556	879403A01	ASSIEME VETRO INTERNO 20 2/1	INNER GLASS ASSEMBLY 20 2/1	X	X		i j k l m n o p q
115	0CK497	543401Z01	GUARNIZIONE CELLA-PORTA 20 1/1	DOOR GASKET 20 1/1	X	X		a b c d e f g h
115	0CK548	543402001	GUARNIZIONE CELLA-PORTA 20 2/1	DOOR GASKET 20 2/1	X	X		i j k l m n o p q
116	0CK275	599406602	SPILLONE MULTIPUNTO (6 PUNTI)	FOOD PRB MULTIPOINT(6 POINTS)		X		
116			SPILLONE SINGOLO PUNTO	FOOD PROBE SINGLE POINT		X		
117	0CK493	500407Q01	SUPPORTO FILTRO	FILTER SUPPORT				
118	0CK494	549401901	FILTRO ARIA	AIR FILTER		X		
119	0CK496	549401600	PIEDE	FOOT				
121	0CK331	548402700	COPERCHIETTO MANIGLIA ELUX	ELUX HANDLE COVER		X		ELECTROLUX
123	0CK114	543402500	GUARNIZIONE ASPIRAZIONE ARIA	AIR INLET GASKET		X		
127	0E1331	206004105	ROSETTA	WASHER		X		
128	0C3973	214014255	VITE M6X25	SCREW M6X25		X		
129	0CK082	805407P01	BARRA LED	LED BAR		X		
130	*	878408101	PARETE DI ASPIRAZIONE 20 1/1	SUCTION WALL 20 1/1				a b c d e f g h
130			PARETE DI ASPIRAZIONE 20 2/1	SUCTION WALL 20 2/1				i j k l m n o p q
131	0CK523	547400A00	BOCCOLA IGUS 'IGLIDUR	BUSH IGUS 'IGLIDUR		X		
132	0CK495	514406Y01	STELO FILETTATO	THREADED STEM				
133	0CK441	83040MY01	ASS. PORTA 2 VETRI 20 1/1	DOOR ASSY 2 GLASSES 20 1/1				a b d e f h - ELUX
133	0CK443	83040N001	ASS. PORTA 2 VETRI 20 2/1	DOOR ASSY 2 GLASSES 20 2/1				i j l m n p - ELUX
133	0CK453	83040NA01	ASS. PORTA 2 VETRI 20 1/1	DOOR ASSY 2 GLASSES 20 1/1				a b d e f h - ZAN
133	0CK455	83040NC01	ASS. PORTA 2 VETRI 20 2/1	DOOR ASSY 2 GLASSES 20 2/1				i j l m n p - ZAN
133	0CK465	83040NP01	ASS. PORTA 2 VETRI 20 1/1	DOOR ASSY 2 GLASSES 20 1/1				a b d e f h - TO BRAND
133	0CK467	83040NR01	ASS. PORTA 2 VETRI 20 2/1	DOOR ASSY 2 GLASSES 20 2/1				i j l m n p - TO BRAND
133	0CK442	83040MZ01	ASS. PORTA 3 VETRI 20 1/1	DOOR ASSY 3 GLASSES 20 1/1				c g - ELUX
133	0CK444	83040N101	ASS. PORTA 3 VETRI 20 2/1	DOOR ASSY 3 GLASSES 20 2/1				k o q - ELUX
133	0CK454	83040NB01	ASS. PORTA 3 VETRI 20 1/1	DOOR ASSY 3 GLASSES 20 1/1				c g - ZAN
133	0CK456	83040ND01	ASS. PORTA 3 VETRI 20 2/1	DOOR ASSY 3 GLASSES 20 2/1				k o q - ZAN
133	0CK466	83040NQ01	ASS. PORTA 3 VETRI 20 1/1	DOOR ASSY 3 GLASSES 20 1/1				c g - TO BRAND
133	0CK468	83040NS01	ASS. PORTA 3 VETRI 20 2/1	DOOR ASSY 3 GLASSES 20 2/1				k o q - TO BRAND
134	*	855408L00	ASS. VETRO INTERMEDIO 20 1/1	MIDDLE GLASS ASS.Y 20 1/1				c g
134	*	855408K00	ASS. VETRO INTERMEDIO 20 2/1	MIDDLE GLASS ASS.Y 20 2/1				k o q

SKYLINE

Pos	Spare part Code	Factory code	Descrizione	Description	V	W & T	S	Ref./Notes
135	*	543403J00	ASS. GUARNIZIONE VETRO INTERMEDIO 20 1/1	MIDDLE GLASS GASKET ASS.Y 20 1/1				c g
135	*	543403K00	ASS. GUARNIZIONE VETRO INTERMEDIO 20 2/1	MIDDLE GLASS GASKET ASS.Y 20 2/1				k o q
136	0CK525	879403X03	MECCANISMO DI CHIUSURA PORTA	DOOR LATCH				
137	0CK269	83040BX00	SENSORE T.C. TEMP. CELLA SUP					
138	0CK498	83040C100	SENSORE T.C. TEMP. CELLA INF.					
139	0CK522	543403P00	GUARNIZIONE	GASKET				
140	*	85540C003	SIMULATORE CARRELLO	TROLLEY SIMULATOR				
141	0C3528	544802400	PRESSACAVO	CABLE GLAND				
142	0C4122	538807400	DISTANZIALE 20/10	SPACER 20/10				
143	0C3802	538804900	NASELLO CHIUSURA PORTA	CATCH DOOR CLOSING				
144	003822	853821600	MECCANISMO DI ESTREMITA'	HOOK				
145	0CK521	515409A00	ASTA SUPERIORE	SUP. LEVER DOOR LOCK MEC.				
146	0H6043	214593100	SPINA ELASTICA	ELASTIC PIN				
147	003824	853821500	CORPO CHIUSURA	CORE DOOR LOCK				
148	0CK524	80540A100	BOCCOLA	MECHANISM BUSH				
149	0CK520	515405V01	ASTA INFERIORE	INF. LEVER DOOR LOCK MECHANISM				

SKYLINE								
Pos	Spare part Code	Factory code	Descrizione	Description	V	W & T	S	Ref./Notes
200	0CK161	541401D01	PROTEZIONE SCHEDA USER	USER INTERFACE COVER				
201	0CK037	638404D00	CAVO PROLUNGA USB	USB PROLONG		X		
202	0CK041	546400V01	SPORTELLINO USB	USB WINDOW		X		
204	0CK144	541401F02	MEMBRANA TOUCH ELECTROLUX CON BOILER (PREMIUM S)	ELECTROLUX TOUCH MEMBRANE WITH BOILER (PREMIUM S)		X		efg mno
204	0CK298	541402501	MEMBRANA TOUCH ELECTROLUX SENZA BOILER (PRO S)	ELECTROLUX TOUCH MEMBRANE WITHOUT BOILER (PRO S)		X		abcijk
204	0CK299	541401U03	MEMBRANA TOUCH ZANUSSI CON BOILER (MAGISTAR COMBI TS)	ZANUSSI TOUCH MEMBRANE WITH BOILER (MAGISTAR COMBI TS)		X		efg mno
204	0CK300	541402703	MEMBRANA TOUCH ZANUSSI SENZA BOILER (MAGISTAR COMBI TI)	ZANUSSI TOUCH MEMBRANE NO BOILER (MAGISTAR COMBI TI)		X		abcijk
204	0CK332	541401V01	MEMBRANA TOUCH TO BRAND (GRIGIA)	TO BRAND TOUCH MEMBRANE (GREY)		X		abcefgijk mno
204	0TTLG9	541402S00	MEMBRANA TOUCH DIAMOND	DIAMOND TOUCH MEMBRANE		X		abcefgijk mno
205	0CK070	675401U02	ACU -SCHEDA POWER	ACU-POWER BOARD	X			
206	0CK034	673400900	DISPLAY 7"	DISPLAY 7"	X			abcefgijk mno
207	0CK514	694401000	FILTRO EMC	EMC FILTER		X		
208	046357	639804901	MORSETTIERA 35 mm2	MAIN TERMINAL BLOCK 35 mm2				abcdefgh 380-415V
209	0L3360	63962B400	PORTA FUSIBILI (PEZZO SINGOLO)	FUSE HOLDER (SINGLE PIECE)	X			
211	0CK199	682400G00	VENTILATORE RAFFREDDAMENTO	COOLING FAN		X		
211	0CK257	682400H00	VENTILATORE RAFFREDDAMENTO	COOLING FAN		X		
212	0CK168	657400200	SONDA LAMBDA	LAMBDA PROBE		X		
213	0CK040	543401N01	CRUSCOTTO PLASTICA TOUCH	PLASTIC FRAME TOUCH				abcefgijk mno
214	0CK033	675401G00	SCHEDA ON/OFF	ON/OFF BOARD	X	X		
215	0CK036	675401J01	SCHEDA BRIDGE	BRIDGE BOARD	X			abcefgijk mno
216	0CK183	646400G00	TERMOSTATO SICUREZZA BOILER	BOILER SAFETY THERMOSTAT	X			
217	0CK184	646400H00	TERMOSTATO SICUREZZA CELLA	CAVITY SAFETY THERMOSTAT	X			
218	0CK039	655400000	ALTOPARLANTE	SPEAKER				abcefgijk mno
219	0CK130	675401T02	INVERTER	INVERTER	X			
220	0CK167	675401S01	SMPS ALIM. SWITCHING 24V	SWITCHING FEEDER 24V	X			
221	0CK166	675402Z00	SMPS ALIM. SWITCHING 12V	SWITCHING FEEDER 12V	X			
222	0CK145	640400300	MICRO INTERRUTTORE	MICRO SWITCH		X		
223	0CK035	675401H00	SCHEDA CORE	CORE BOARD	X			abcefgijk mno
225	0CK044	675401P01	SCHEDA USER DIGIT	DIGIT USER BOARD	X			dhlpq
226	0CK043	543401Q01	CRUSCOTTO PLASTICA DIGIT	PLASTIC FRAME DIGIT				dhlpq
227	088267	648722900	RELE'	RELAY	X	X		
228	0CK042	657400101	SCHEDA NIU	NIU BOARD				
229	0CK045	675401Q00	CAVETTO ON/OFF TOUCH	ON/OFF CABLE TOUCH		X		abcefgijk mno
229	0CK329	675402K00	CAVETTO ON/OFF DIGIT	ON/OFF CABLE DIGIT		X		dhlpq
230	0CK254	646400A00	SONDA NTC VANO COMPONENTI	NTC PROBE	X	X		
233	0CK080	830409103	ASSIEME USER TOUCH	USER INTERFACE ASSEMBLY TOUCH	X			abcefgijk mno
234	0CK079	830409603	ASSIEME USER DIGIT	USER INTERFACE ASSEMBLY DIGIT	X			dhlpq
235	0C5239	652806000	FUSIBILE 5X20 4A ST520240	FUSE 5X20 4A ST520240	X	X		
235	0C1480	652803300	FUSIBILE 5X20 6,3A T	FUSE 5X20 6,3A T	X	X		
236	0CK032	514405001	MOLLA SPORTELLINO	SPRING		X		
237	0CK038	638404F02	CAVETTO RECOVERY	RECOVERY CABLE		X		

SKYLINE

Pos	Spare part Code	Factory code	Descrizione	Description	V	W & T	S	Ref./Notes
238	0CK030	546400U01	SUPPORTO USB	USB CAGE				
239	0CK292	541401G02	MEMBRANA DIGIT ELECTROLUX CON BOILER (PREMIUM)	ELECTROLUX DIGIT MEMBRANE WITH BOILER (PREMIUM)		X		d l
239	0CK301	541402602	MEMBRANA DIGIT ELECTROLUX SENZA BOILER (PRO)	ELECTROLUX DIGIT MEMBRANE WITHOUT BOILER (PRO)		X		h p q
239	0CK302	541401W03	MEMBRANA DIGIT ZANUSSI CON BOILER (COMBI DS)	ZANUSSI DIGIT MEMBRANE WITH BOILER (COMBI DS)		X		d l
239	0CK303	541402804	MEMBRANA DIGIT ZANUSSI SENZA BOILER (COMBI DI)	ZANUSSI DIGIT MEMBRANE WITHOUT BOILER (COMBI DI)		X		h p q
239	0CK333	541401X02	MEMBRANA DIGIT TO BRAND CON BOILER (GRIGIA/NERA)	TO BRAND DIGIT MEMBRANE WITH BOILER (GREY/BLACK)		X		d l
239	0CK334	541402A02	MEMBRANA DIGIT TO BRAND SENZA BOILER (GRIGIA/NERA)	TO BRAND DIGIT MEMBRANE WITHOUT BOILER (GREY/BLACK)		X		h p q
239	*	541402U01	MEMBRANA DIGIT DIAMOND CON BOILER	DIAMOND DIGIT MEMBRANE WITH BOILER		X		
239	*	541402T01	MEMBRANA DIGIT DIAMOND SENZA BOILER	DIAMOND DIGIT MEMBRANE WITHOUT BOILER		X		
244	0CK330	675401L00	CAVETTO CONNESSIONE SPEAKER	WIRING SPEAKER		X		a b c e f g i j k m n o

SKYLINE								
Pos	Spare part Code	Factory code	Descrizione	Description	V	W & T	S	Ref./Notes
300	0CK418	686400304	POMPA LAVAGGIO 220-240V 50/60HZ	CLEANING PUMP 220-240V 50/60HZ	X	X		
301	0C4202	516896000	CONTRODADO	NUT			X	
302	0C4201	543841400	GUARNIZIONE IN RAME	COPPER GASKET			X	
303	0CK512	83040KA00	ASS. ELETTROVALVOLA 2 VIE	WATER VALVE ASSEMBLY 2 WAYS			X	
305	0CK513	83040K800	GRUPPO ELETTROVALVOLE RM1400	SOLENOID VALVES GROUP RM1400			X	defglnno
305			GRUPPO ELETTROVALVOLE RM1300	SOLENOID VALVES GROUP RM1300			X	abcdefghijklpq
306	0CK278	83040GA00	FLUSSIMETRO	FLOW METER			X	
307	0CK503	80540B102	INGRESSO UMIDIFICATORE 20 1/1	HUMIDIFIER INLET 20 1/1				abcdefgh
307			INGRESSO UMIDIFICATORE 20 2/1	HUMIDIFIER INLET 20 2/1				ijklmnopq
308	0CK175	506405803	STAFFA SUPPORTO ELETTROVALVO-LA	SOLENOID VALVE SUPPORT				
309	0CK228	696400L01	ELETTROVALVOLA.	SOLENOID VALVE			X	
310	0CK221	544401G03	MANICOTTO MANDATA POMPA	PUMP EXIT MANIFOLD			X	
311	0CK137	544401F03	MANICOTTO ASPIRAZIONE POMPA	PUMP INLET MANIFOLD			X	
312	0CK559	83040KC00	ELETTROVALVOLA RM1100 ISG	RM1100 ISG SOLENOID VALVE			X	
313	0CK087	541402F00	CILINDRO PASTIGLIE	CYLINDER FOR TABS			X	
314	0CK510	83040GP02	CONDUTT. CLEANING SYSTEM 20 1/1	CLEANING SYSTEM PIPING 20 1/1				abcdefgh
314			CONDUTT. CLEANING SYSTEM 20 2/1	CLEANING SYSTEM PIPING 20 2/1				ijklmnopq
315	0CK157	514F02U00	PORTAGOMMA	HOSE FITTING			X	
323	0CB250	689400000	VALVOLA SCARICO BOILER	BOILER DRAIN VALVE	X	X		
323	0CB251	689400500	VALVOLA SCARICO BOILER	BOILER DRAIN VALVE	X	X		USA
324		80540FD01	PANNELLO FACCIATA INFERIORE					
325	0CK137	544401F03	MANICOTTO ASPIRAZIONE POMPA	PUMP INLET MANIFOLD			X	
326	0CK509	83040FL03	ASSIEME CAMINO ABBATTITORE	STEAM EXHAUST PIPE				
329	0CK193	689400700	VALVOLA MOTORIZZATA 1"	MOTORIZED BALL VALVE 1"	X	X		
330	0CK138	544401V02	MANICOTTO COLLEGAMENTO CAMINO	RUBBER MANIFOLD			X	
331	0CK518	835405J02	DOCETTA	WATER SPRAY GUN				
332	0CK096	514405A00	DADO CIECO 1"G	NUT 1"			X	
333	0CK508	80540AF05	ASS. COLLETTORE SCARICO AIR-BREAK	AIRBREAK DRAIN ASSEMBLY	X	X		
335	0CK162	518400Y00	RONDELLA OTTONE (34X42X2.5)	BRASS WASHER (34X42X2.5)			X	
336	0CK170	83040C000	SONDA TEMP. ABBATTITORE FUMA-NE	STEAM QUENCHING TEMP. PROBE	X	X		
337	0CK106	502404000	FILTRO SUPPORTO DETERGENTE	DETERGENT HOLDER FILTER				
338	0CK206	544402Z00	TUBO SILICONE	SILICON HOSE			X	
339	046855	518602801	FASCETTA	CLAMP			X	
340	0CK169	653400B00	SONDA NTC SICUREZZA	SAFETY NTC PROBE	X	X		
341	0CK304	835405Q00	FASCETTA A MOLLA CON PREFIX FBS HC 24/12	SPRING CLAMP FBS HC 24/12			X	
342	0CK191	544402Y00	TUBO SCARICO BOILER	BOILER DRAIN HOSE			X	
344	0C5829	544819400	TUBO EPDM BLU	EPDM BLUE HOSE			X	
345	0CK192	544401Y00	TUBO SILICONE RETINATO	SILICONE HOSE REINFORCED			X	
346	0CK046	544403300	TUBO NBR TELATO	NBR HOSE BLACK			X	
347	0CK083	514404Y01	BICONO TENUTA TERMOCOPPIA	THERMOCOUPLE BICONICAL SEA-LING			X	
349	0L3736	640613Q00	SENSORE REED CASSETTO PASTIGLIE	TABS DRAWER REED SENSOR				
352	0CK177	514406W01	SUPPORTO PASTIGLIE	TABS HOLDER				
353	0CK246	514406V00	MOLLA TAPPO	CUP SPRING			X	
354	0CK125	543402S01	GUARNIZIONE TAPPO	CUP GASKET			X	
355	0CK180	541402M00	TAPPO MOBILE	MOVABLE CUP			X	
356	0CK179	541402D00	TAPPO FISSO	FIX CUP			X	
357	0CK322	80540DK00	ASSIEME TAPPO SERBATOIO CHIMI-CA	CUP TANK ASSEMBLY			X	
358	0PE481	511T00300	MANOPOLA ZIGRINATA	KNURLED SCREW			X	
360	0CK100	835405P00	FASCETTA A MOLLA FBS HC 38/12	SPRING CLAMP FBS HC 38/12			X	

SKYLINE

Pos	Spare part Code	Factory code	Descrizione	Description	V	W & T	S	Ref./Notes
-----	-----------------	--------------	-------------	-------------	---	-------	---	------------

364	0CK429	0R.F193	TUBO FLESSIBILE GOMMA EPDM d.6x12mm			X		
365	0CK430	0R.P470	MOLLA SAGOMATA			X		
366	0L0673	0P.P243.00.00	TESTA DOCCIA			X		
370	0CK499	800402W01	COLLETORE SCARICO CELLA	CAVITY DRAIN COLLECTOR				

SKYLINE								
Pos	Spare part Code	Factory code	Descrizione	Description	V	W & T	S	Ref./Notes
400	0CK084	83040HG01	BOILER 20 1/1	BOILER 20 1/1	X			abcdefghijklmnop
400	0CK549	083040J003	BOILER 20 2/1	BOILER 20 2/1	X			ijklmnopq
401	0CK189	544401B00	TUBO INGRESSO VAPORE	STEAM INLET HOSE	X	X		
402	7033	830890501	SONDA LIVELLO ACQUA	WATER LEVEL SENSOR	X	X		
403	0CK119	543402K00	GUARNIZIONE CANDELINA ACC.NE	IGNITION ROD GASKET	X	X		
404	0CK270	83040BY00	SENSORE DI TEMPERATURA BOILER	BOILER TEMPERATURE SENSOR	X	X		
405	0CK115	543402J01	GUARNIZIONE BRUCIATORE 20 1/1	BURNER GASKET 20 1/1	X	X		abcdefghijklmnop
405	0CK116	543402L02	GUARNIZIONE BRUCIATORE 20 2/1	BURNER GASKET 20 2/1	X	X		ijklmnopq
406	0CK286	835403Z01	BRUCIATORE BOILER	BOILER BURNER	X			
407	0CK273	83040CD04	CAND. ACC.NE BOILER	BOILER IGNITION ROD	X	X		
408	0CK124	543402H01	GUARNIZIONE SOFFIANTE	BLOWER GASKET	X	X		
409	0C4105	624810600	ACCENDITORE	IGNITER	X	X		
410	0CK159	83040DL02	PROLUNGA BRUCIATORE	BURNER PROLONG				
411	0C1044	518807600	MOLLA	SPRING		X		
412	0CK146	511400V00	MIXER	MIXER	X			
413	0CK132	560401G04	ISOLANTE BOILER 20 1/1-b	BOILER INSULATION 20 1/1-b		X		abcdefghijklmnop
413	0CK131	560401F03	ISOLANTE BOILER 20 1/1-a	BOILER INSULATION 20 1/1-a		X		abcdefghijklmnop
413	0CK133	560401H01	ISOLANTE BOILER 20 1/1-c	BOILER INSULATION 20 1/1-c		X		abcdefghijklmnop
413			ISOLANTE BOILER 20 2/1-a	BOILER INSULATION 20 2/1-a		X		ijklmnopq
413			ISOLANTE BOILER 20 2/1-b	BOILER INSULATION 20 2/1-b		X		ijklmnopq
413			ISOLANTE BOILER 20 2/1-c	BOILER INSULATION 20 2/1-c		X		ijklmnopq
414	0CK198	682400C00	VENTILATORE 50 Hz	BLOWER 50 Hz	X			For 50Hz
414	0CK409	682400K00	VENTILATORE 60 Hz	BLOWER 60 Hz	X			For 60Hz
415	0CK188	515404902	TUBO INGRESSO ARIA	AIR INLET PIPE				
417	0CK006	805409301	ASSIEME VALVOLA ARIA	AIR INLET VALVE	X	X		
419	0CK186	83040DJ01	TUBO FLESSIBILE 620	HOSE 620		X		
420	0CK072	569400Q00	ANELLO TENUTA IN GRAFITE	GRAPHITIC RING		X		
421	0CB248	543831900	GUARNIZIONE	GASKET		X		
422	0CK109	501400P00	FLANGIA CAMINO 20 1/1	CHIMNEY FLANGE 20 1/1				abcdefghijklmnop
422	0CK110	501400Q01	FLANGIA CAMINO 20 2/1	CHIMNEY FLANGE 20 2/1				ijklmnopq
423	0C1057	835859601	VALVOLA GAS 50 Hz	GAS VALVE 50 Hz	X			For 50 Hz
423	0C1879	835867200	VALVOLA GAS 60 Hz	GAS VALVE 60 Hz	X			For 60 Hz
424	052671	515801715	TENUTA BICONICA	BICONICAL SEALING		X		
425	0C1058	516847000	DADO 3/4"	NUT 3/4"		X		
426		80540DC01	RIBALTA GAS CON BOILER	MANIFOLD WITH BOILER				defglmno
426		80540DN00	RIBALTA GAS CON BOILER	MANIFOLD WITH BOILER				defg - USA
426		83040KL01	RIBALTA GAS CON BOILER	MANIFOLD WITH BOILER				lmno - USA
426			RIBALTA GAS SENZA BOILER	MANIFOLD WITHOUT BOILER				abchijkpq
426		80540DQ00	RIBALTA GAS SENZA BOILER	MANIFOLD WITHOUT BOILER				abch - USA
426		83040KM02	RIBALTA GAS SENZA BOILER	MANIFOLD WITHOUT BOILER				ijkpq - USA
427	006451	147018082	NASTRO ADESIVO ALLUMINATO	ALLUMINIUM ADHESIVE TAPE		X		
428	0CK286	835403Z01	BRUCIATORE CELLA 20 1/1	CAVITY BURNER 20 1/1	X			abcdefghijklmnop
428	0CK287	835404001	BRUCIATORE CELLA 20 2/1	CAVITY BURNER 20 2/1	X			ijklmnopq
430		083040KW00	TUBO FLESSIBILE SUPERIORE 20 1/1	UPPER HOSE 20 1/1		X		abcdefghijklmnop
430		083040KH00	TUBO FLESSIBILE SUPERIORE 20 2/1	UPPER HOSE 20 2/1		X		ijklmnopq
431		083040KX00	TUBO FLESSIBILE INFERIORE 20 1/1	LOWER HOSE 20 1/1		X		abcdefghijklmnop
431		083040KJ00	TUBO FLESSIBILE INFERIORE 20 2/1	LOWER HOSE 20 2/1		X		ijklmnopq
432	0CK115	543402J01	GUARNIZIONE BRUCIATORE 20 1/1	BURNER GASKET 20 1/1	X	X		abcdefghijklmnop
432	0CK116	543402L02	GUARNIZIONE BRUCIATORE 20 2/1	BURNER GASKET 20 2/1	X	X		ijklmnopq
433	0CK273	83040CD04	CAND. ACC.NE CELLA 20 1/1	CAVITY IGNITION ROD 20 1/1	X	X		abcdefghijklmnop
433	0CK279	83040GM01	CAND. ACC.NE CELLA 20 2/1	CAVITY IGNITION ROD 20 2/1	X	X		ijklmnopq

SKYLINE

Pos	Spare part Code	Factory code	Descrizione	Description	V	W & T	S	Ref./Notes
434	0CK149	611400900	MOTORE 450W	MOTOR 450W	X			abcdefghijklmnop
434	0CK150	611400C00	MOTORE 750W	MOTOR 750W	X			abcdefghijklmnop
435	*	50440FP00	TEGOLO PARAGOCCE	DRIP PROTECTION				
436	0CK200	504409J00	VENTOLA GN 1/1	FAN GN1/1				abcdefghijklmnop
436	0CK201	504409K00	VENTOLA GN 2/1	FAN GN 2/1				abcdefghijklmnop
438	0CK122	569400X00	GUARNIZ. SCAMBIATORE 20 1/1	HEAT EXCHANG. GASKET 20 1/1	X			abcdefghijklmnop
438	0CK123	569400Y00	GUARNIZ. SCAMBIATORE 20 2/1	HEAT EXCHANG. GASKET 20 2/1	X			abcdefghijklmnop
439	0CK111	501400M00	FLANGIA SCAMBIATORE 20 1/1	HEAT EXCHANG. FLANGE 20 1/1	X			abcdefghijklmnop
439	0CK112	501400N00	FLANGIA SCAMBIATORE 20 2/1	HEAT EXCHANG. FLANGE 20 2/1	X			abcdefghijklmnop
440	0CK117	569400Z00	GUARNIZIONE 20 1/1	GASKET 20 1/1		X		abcdefghijklmnop
440	0CK118	569401000	GUARNIZIONE 20 2/1	GASKET 20 2/1		X		abcdefghijklmnop
441	0CK147	514406Q00	MOLLA	SPRING		X		
442	0CK108	514404W01	FLANGIA	FLANGE				
443	0CK309	217016205	VITE TENUTA VENTOLA	FAN SCREW		X		
444	0C4260	624810801	CENTRALINA CONTROLLO FIAMMA	FLAME CONTROL DEVICE	X			
445	0CK310	206300900	RONDELLA	WASHER		X		
446	0CK216	514404Z02	PERNO SUPPORTO MOTORE	MOTOR PIN SUPPORT				
447	0CK163	83040DF02	SCAMBIATORE SUPERIORE 20 1/1	UPPER HEAT EXCHANGER 20 1/1	X			abcdefghijklmnop
447	0CK491	83040JV01	SCAMBIATORE SUPERIORE 20 2/1	UPPER HEAT EXCHANGER 20 2/1	X			abcdefghijklmnop
448	0CK276	83040DZ01	SCAMBIATORE INFERIORE 20 1/1	LOWER HEAT EXCHANGER 20 1/1	X			abcdefghijklmnop
448	0CK555	83040LA00	SCAMBIATORE INFERIORE 20 2/1	LOWER HEAT EXCHANGER 20 2/1	X			abcdefghijklmnop

SKYLINE

Pos	Spare part Code	Factory code	Descrizione	Description	V	W & T	S	Ref./Notes
501	0CA768	509804003	BACINELLA RACCOLTA	TRAY COLLECTOR				a b c d e f g h
502	006309	H21503300	ASSIEME PILETTA DI SCARICO	DRAIN ASSEMBLY				
503	0C1631	835865000	RUOTA CON FRENO	WHEEL WITH BRAKE				
504	0C1632	835865101	RUOTA	WHEEL				
505	0CA362	546814400	TAPPO PER TUBO	CUP				
506	007108	517868203	MANIGLIA	HANDLE				
507	0CK543	50340AL00	ADATTATORE SINISTRO 20 1/1	LEFT ADAPTOR 20 1/1				
508	0CK544	50340AK00	ADATTATORE DESTRO 20 1/1	RIGHT ADAPTOR 20 1/1				
509	0C9889	516859102	FERMO TEGLIE POSTERIORE	BACK TRAY STOPPER				

Electrolux Professional S.p.A.
Viale Treviso, 15
33170 Pordenone, ITALY
www.electrolux.com/professional