

## SKYLINE/MAGISTAR GAS OVEN FORNO GAS SKYLINE/MAGISTAR

Type Reference	Ref	Page	Description	note
<b>COG21C20</b>	a		20 grids GN 1/1 - touch convect - double glass - Standard	
<b>COG21C2K</b>	b		20 grids GN 1/1 - touch convect - double glass - Smok-er/Aromatizer	
<b>COG21C30</b>	c		20 grids GN 1/1 - touch convect - triple glass - Standard	
<b>COG21D20</b>	d		20 grids GN 1/1 - digital steam - double glass - Standard	
<b>COG21T20</b>	e		20 grids GN 1/1 - touch steam - double glass - Standard	
<b>COG21T2K</b>	f		20 grids GN 1/1 - touch steam - double glass - Smoker/Aromatizer	
<b>COG21T30</b>	g		20 grids GN 1/1 - touch steam - triple glass - Standard	
<b>COG21V20</b>	h		20 grids GN 1/1 - digital convect - double glass - Standard	
<b>COG22C20</b>	i		20 grids GN 2/1 - touch convect - double glass - Standard	
<b>COG22C2K</b>	j		20 grids GN 2/1 - touch convect - double glass - Smok-er/Aromatizer	
<b>COG22C30</b>	k		20 grids GN 2/1 - touch convect - triple glass - Standard	
<b>COG22D20</b>	l		20 grids GN 2/1 - digital steam - double glass - Standard	
<b>COG22T20</b>	m		20 grids GN 2/1 - touch steam - double glass - Standard	
<b>COG22T2K</b>	n		20 grids GN 2/1 - touch steam - double glass - Smoker/Aromatizer	
<b>COG22T30</b>	o		20 grids GN 2/1 - touch steam - triple glass - Standard	
<b>COG22V20</b>	p		20 grids GN 2/1 - digital convect - double glass - Standard	
<b>COG22V30</b>	q		20 grids GN 2/1 - digital convect - triple glass - Standard	

### Index

Description Type Reference/Descrizione Type Reference	<b>Page</b>
Oven cabinet and door/Cella forno e porta	2
Electrical components/Componenti elettrici	3
Water system/Impianto idraulico	4
Boiler	5
Accessories up to wk 2023/29/Accessori fino a wk 2023/29	6
Accessories from wk 2023/30/Accessori da wk 2023/30	7
Preventive Maintenance KIT	8
Nozzles tables/Tabelle ugelli	9
Spare parts list / Lista ricambi	10
Kit	11-22
	23-25

**Bold=last change / Grassetto = ultima modifica**

V = Vital spare part/Ricambio vitale  
W&T = Wear&Tear and Consumable/  
Ricambio usurabile e consumabile  
S = Suggested/Ricambio suggerito

Rev. 8

From Ser. Nr.... Up to Ser. Nr....	Ed. 2020-01 Updated 2023-07	Page: 1	<b>Doc No:595403Q00</b>
---------------------------------------	--------------------------------	---------	-------------------------

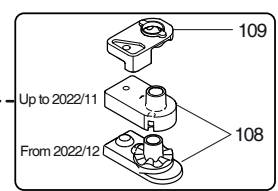
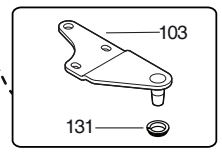
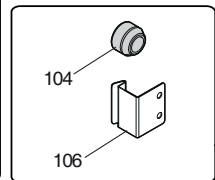
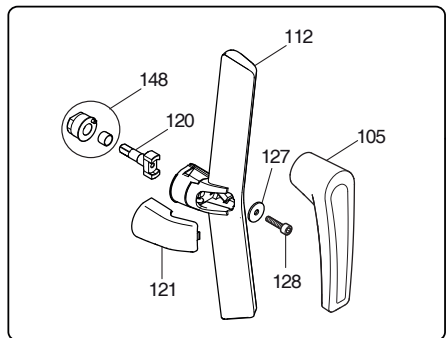
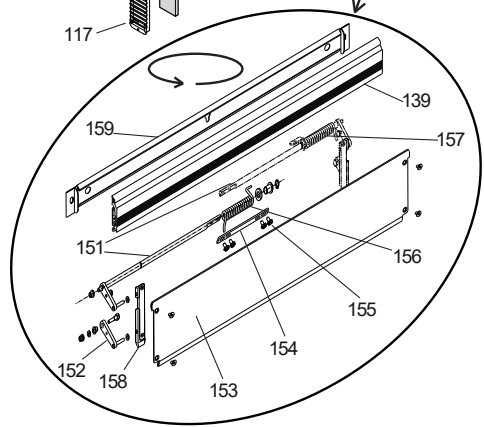
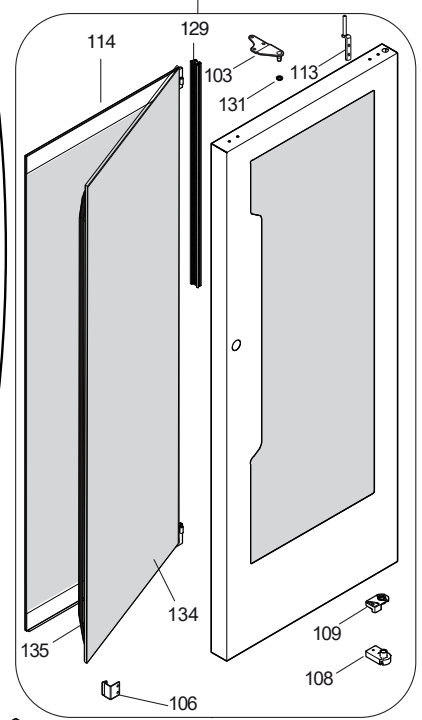
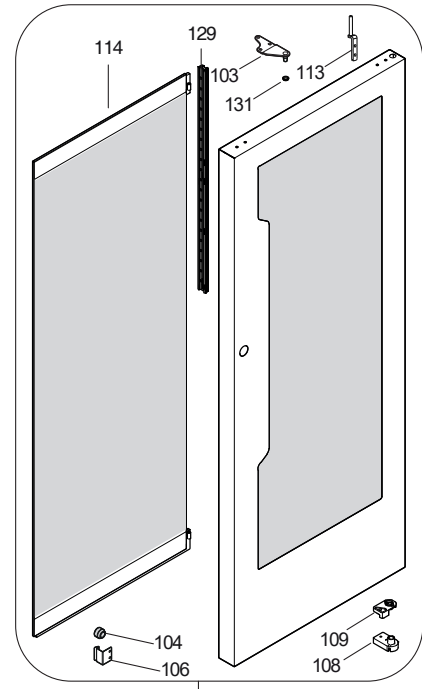
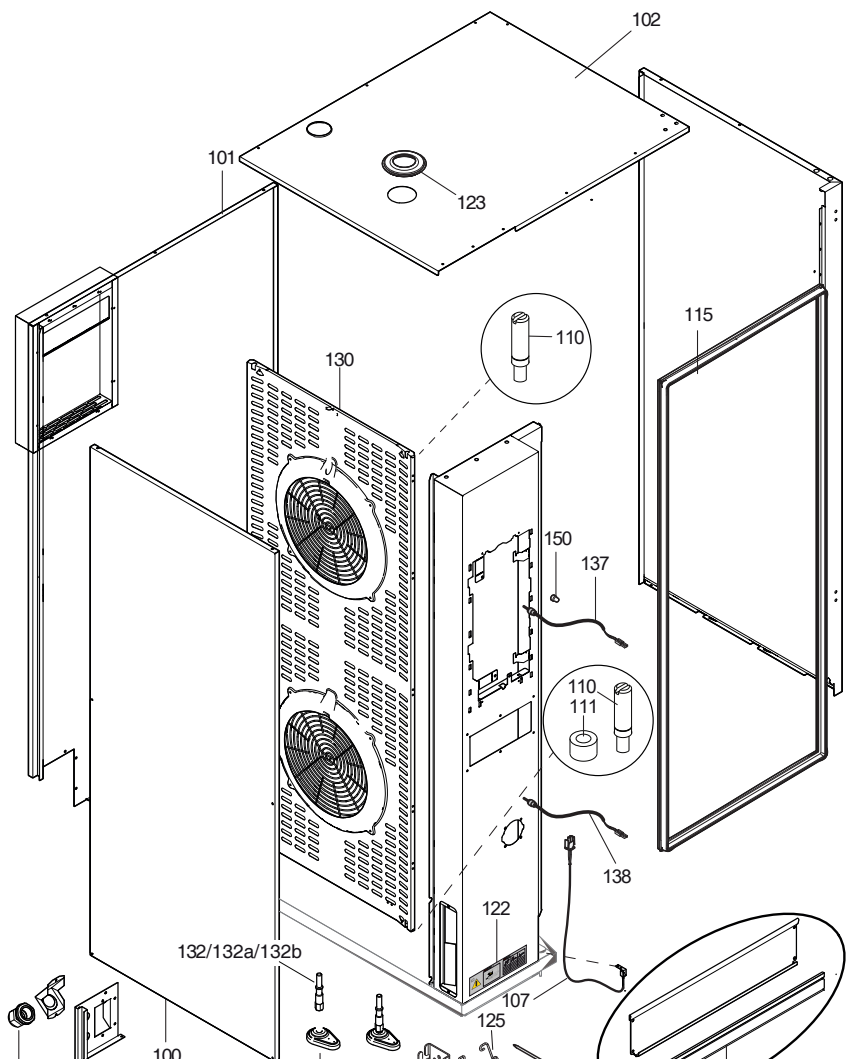
COG \* \* \*

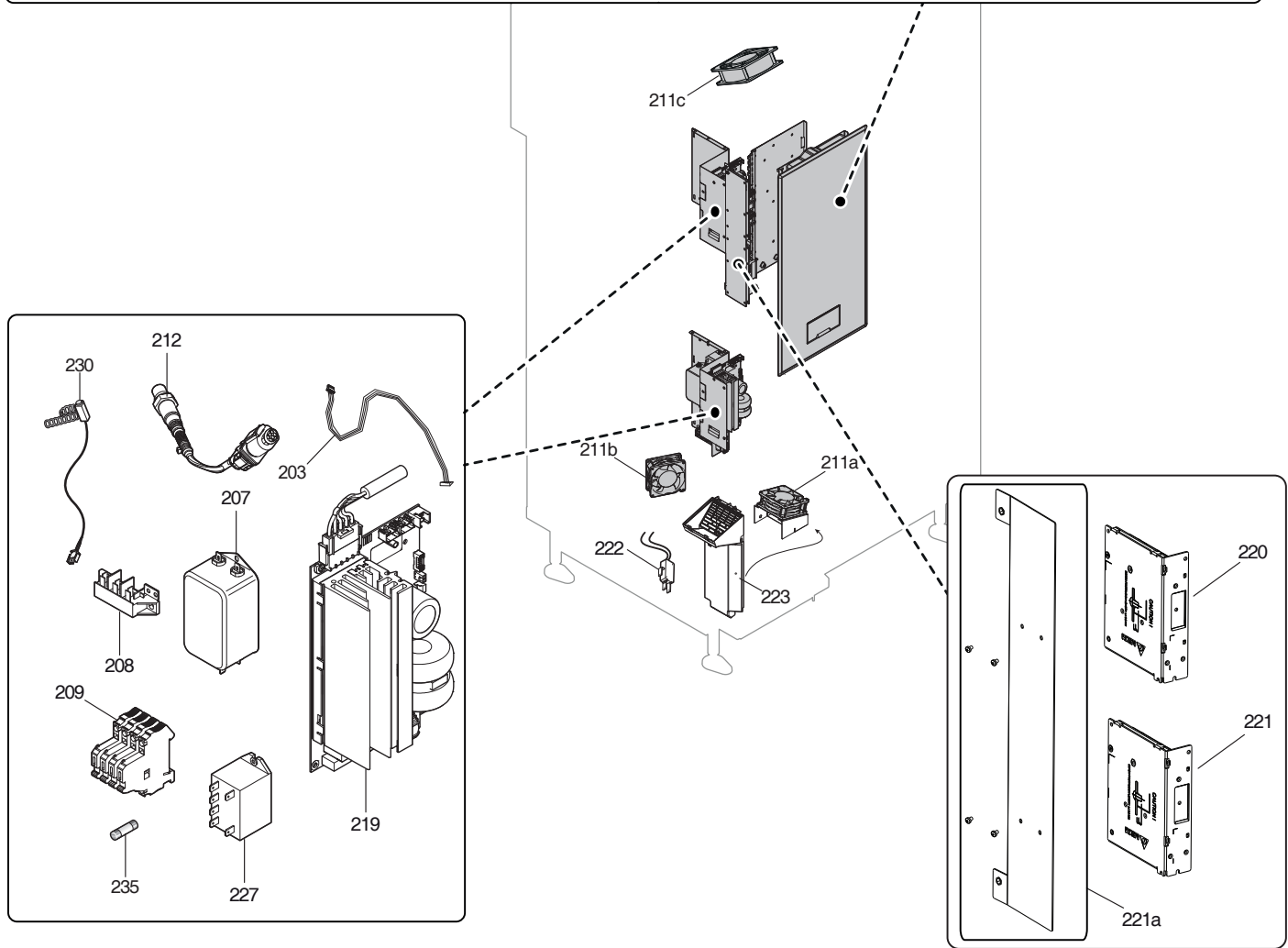
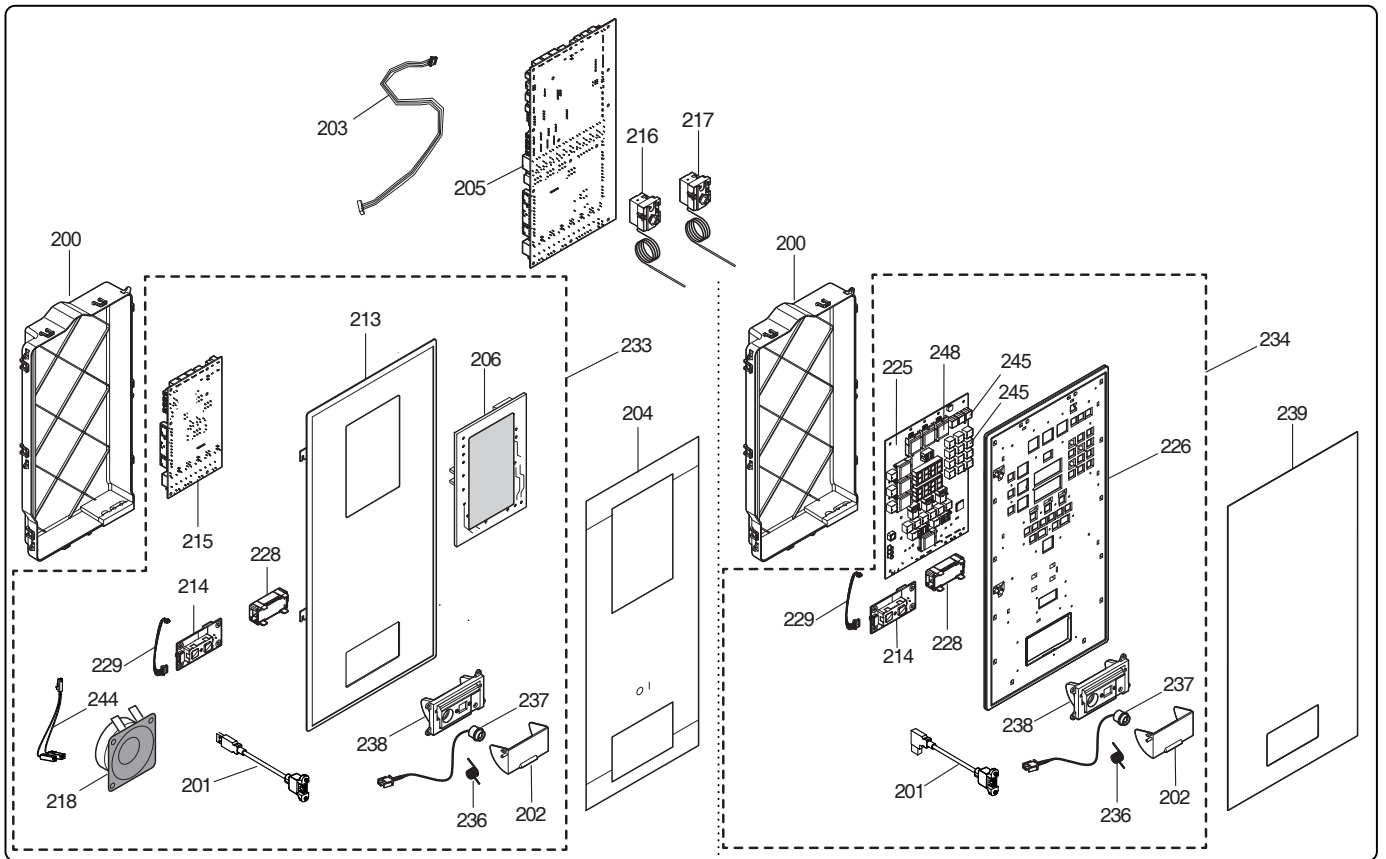
K = Smoker/Aromatizer  
0 = Standard

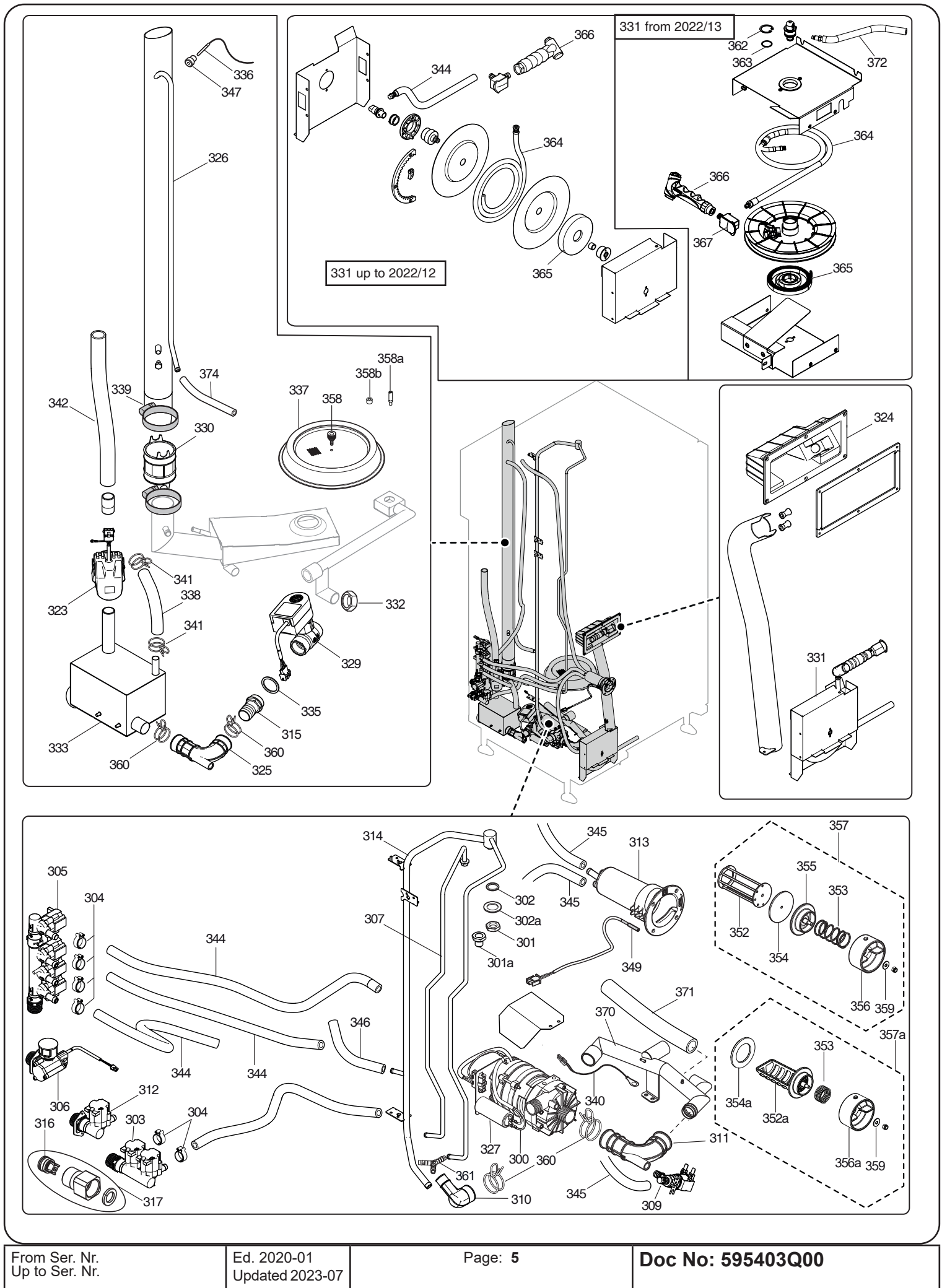
T2 = touch steam - double glass  
T3 = touch steam - triple glass  
C2 = touch convect – double glass  
C3 = touch convect – triple glass  
D2 = digital steam – double glass  
D3 = digital steam – triple glass  
V2 = digital convect – double glass  
V3 = digital convect – triple glass

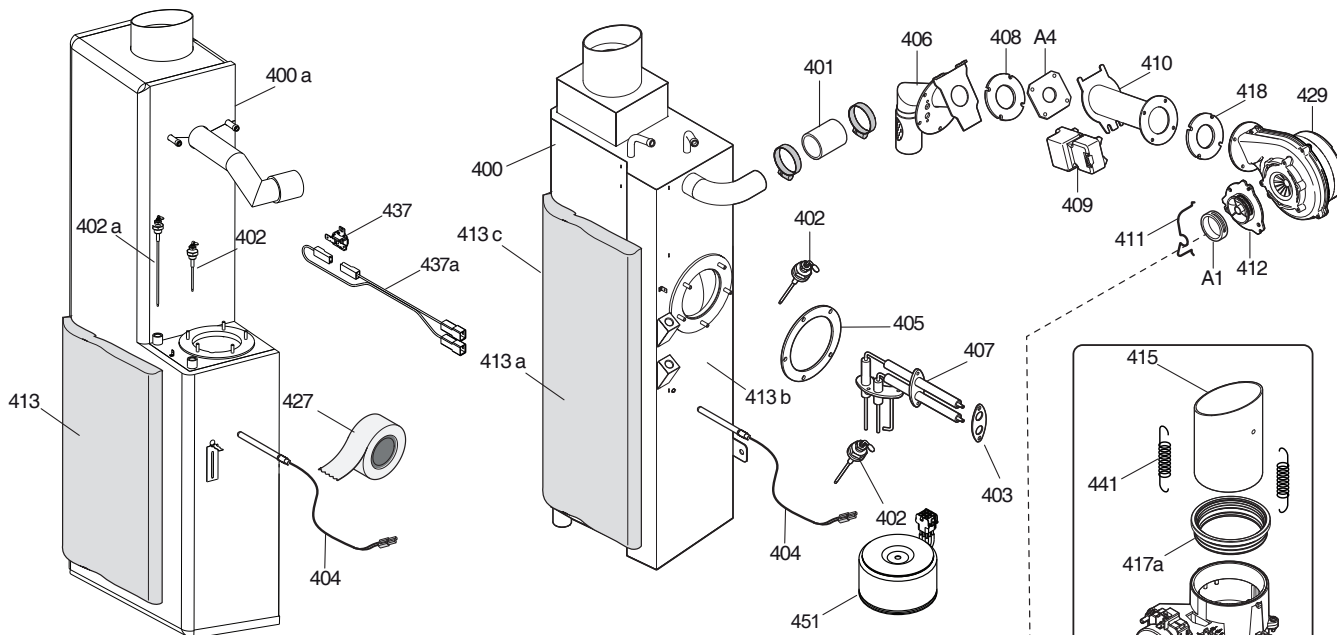
61 = 6 grids GN1/1  
62 = 6 grids GN2/1  
11 = 10 grids GN1/1  
12 = 10 grids GN2/1  
21 = 20 grids GN1/1  
22 = 20 grids G21/1

COG = Combi Oven Gas

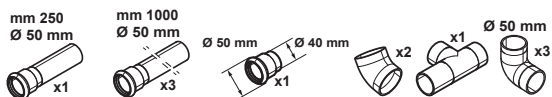




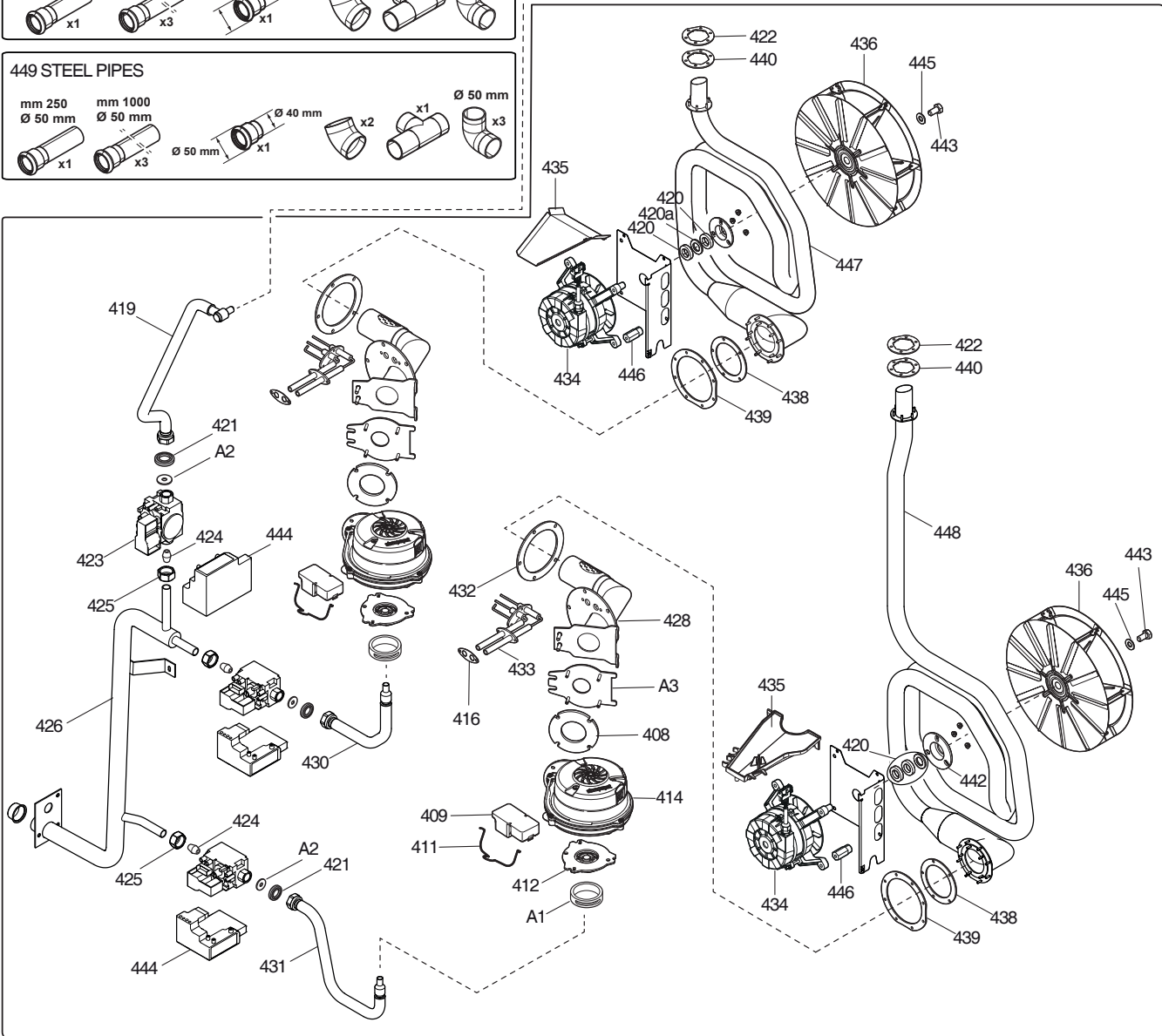
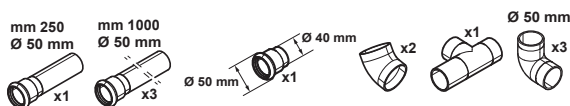




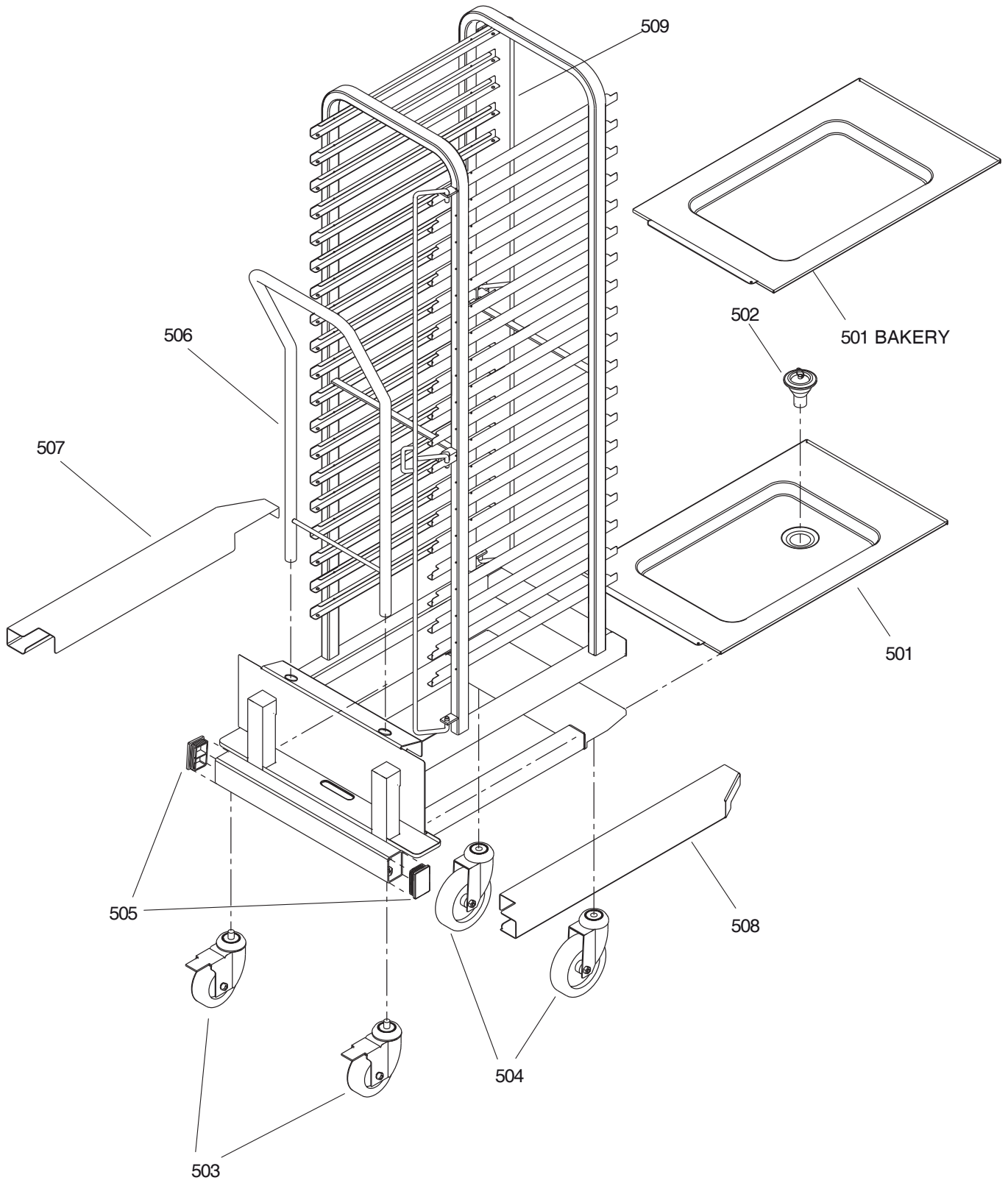
**450 PLASTIC PIPES**



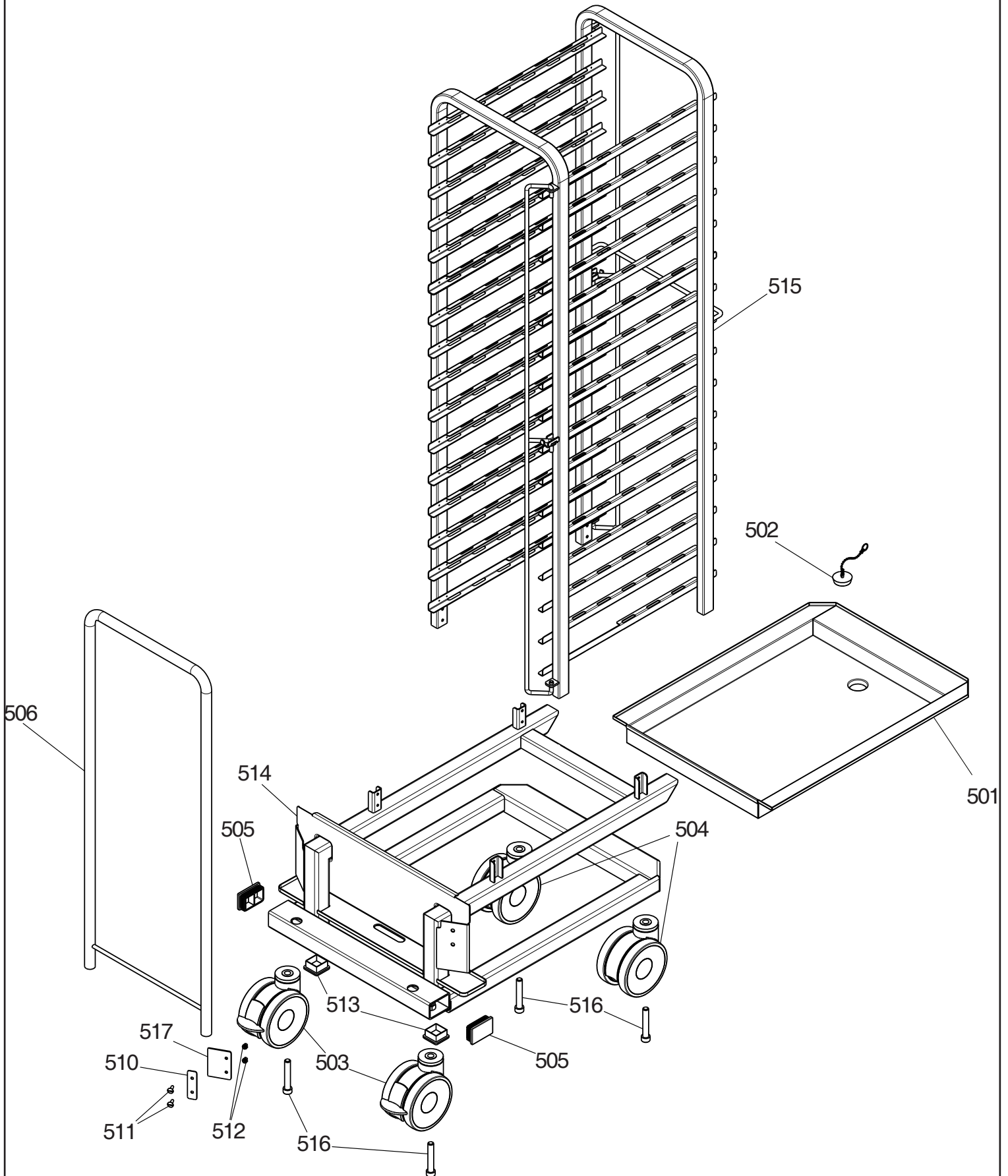
**449 STEEL PIPES**



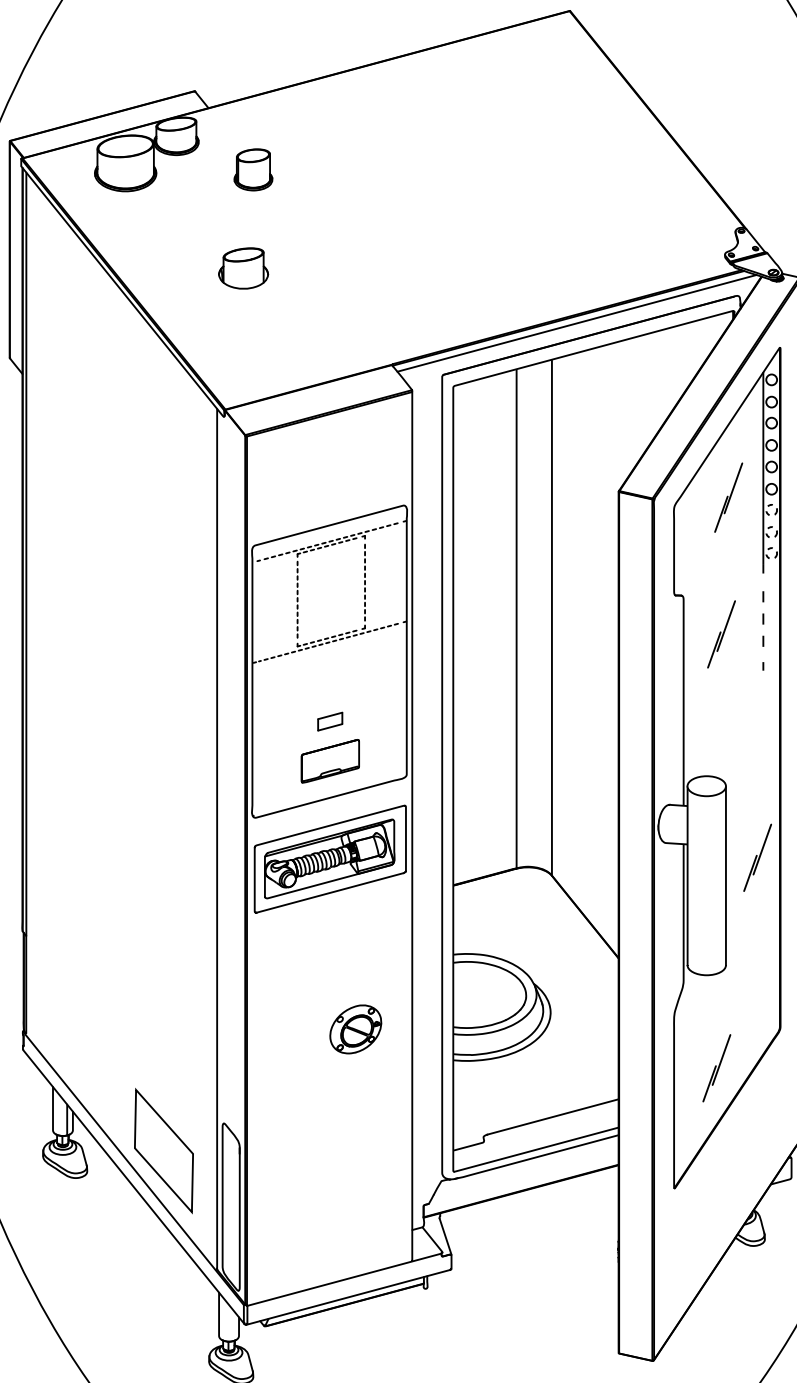
# ACCESSORIES UP TO WK 2023/29



# ACCESSORIES FROM WK 2023/30







- PPM1
- PPM2
- PPM3
- PPM4
- PPM5
- PPM6
- PPM7
- PPM8
- PPM9
- PPM10
- PPM11
- PPM12
- PPM13
- PPM14

**20 GN 1/1**

GAS	AERATORE/AERATOR		DIAFRAMMA/DIAPHRAGM		FLANGIA/FLANGE	
	A1 - CELLA/CAVITY	A1 - BOILER	A2 - CELLA/CAVITY	A2 - BOILER	A3 - CELLA/CAVITY	A4 - BOILER
G20	0CK526 (BIANCO/WHITE)	0C4630 (FUCSIA/FUCHSIA)	0C4384 (ø 4,75)	0CK063 (ø 6,30)	(ø 21)	(ø 23)
G25	0CK526 (BIANCO/WHITE)	0C4630 (FUCSIA/FUCHSIA)	0CK058 (ø 5,35)	0CK067 (ø 7,20)	(ø 21)	(ø 23)
G25.1	0CK526 (BIANCO/WHITE)	0C4630 (FUCSIA/FUCHSIA)	0CK529 (ø 5,55)	0C2444 (ø 7,50)	(ø 21)	(ø 23)
G25.3	0CK526 (BIANCO/WHITE)	0C4630 (FUCSIA/FUCHSIA)	0CK057 (ø 5,20)	0CK066 (ø 7,10)	(ø 21)	(ø 23)
G30	0CK526 (BIANCO/WHITE)	0C4630 (FUCSIA/FUCHSIA)	0CK048(ø 3,75)	0CK055 (ø 4,80)	(ø 21)	(ø 23)
G31/LPG	0CK526 (BIANCO/WHITE)	0C4630 (FUCSIA/FUCHSIA)	0CK050 (ø 3,95)	0CK057 (ø 5,20)	(ø 21)	(ø 23)

**20 GN 2/1**

GAS	AERATORE/AERATOR		DIAFRAMMA/DIAPHRAGM		FLANGIA/FLANGE	
	A1 - CELLA/CAVITY	A1 - BOILER	A2 - CELLA/CAVITY	A2 - BOILER	A3 - CELLA/CAVITY	A4 - BOILER
G20	542400A00 (ROSSO/RED)	542400C00 (BLU/BLUE)	0CK064 (ø 6,60)	0CK533 (ø 7,90)	(ø 26)	(ø 40)
G25	542400A00 (ROSSO/RED)	542400C00 (BLU/BLUE)	0CK069 (ø 7,60)	0CK534 (ø 9,20)	(ø 26)	(ø 40)
G25.1	542400A00 (ROSSO/RED)	542400C00 (BLU/BLUE)	0CK533 (ø 7,90)	0CK532 (ø 10,10)	(ø 26)	(ø 40)
G25.3	542400A00 (ROSSO/RED)	542400C00 (BLU/BLUE)	0CK068 (ø 7,40)	0CK531 (ø 9,10)	(ø 26)	(ø 40)
G30	542400A00 (ROSSO/RED)	542400C00 (BLU/BLUE)	0C4385 (ø 5,00)	0CK527 (ø 5,90)	(ø 26)	(ø 40)
G31/LPG	542400A00 (ROSSO/RED)	542400C00 (BLU/BLUE)	0C2442 (ø 5,50)	0C1142 (ø 6,15)	(ø 26)	(ø 40)

SKYLINE								
Pos	Spare part Code	Factory code	Descrizione	Description	V	W & T	S	Ref./Notes
100	0CK492	503407X02	FIANCO SINISTRO 20 1/1	LEFT PANEL 20 1/1				a;b;c;d;e;f;g;h Up to 2022/12
100	0CK88K	50340C600	FIANCO SINISTRO 20 1/1	LEFT PANEL 20 1/1				a;b;c;d;e;f;g;h From 2022/13
100		503409201	FIANCO SINISTRO 20 2/1	LEFT PANEL 20 2/1				i;j;k;l;m;n;o;p;q Up to 2022/12
100	0CK88N	50340CB00	FIANCO SINISTRO 20 2/1	LEFT PANEL 20 2/1				i;j;k;l;m;n;o;p;q From 2022/13
101	0CK633	503408003	SCHIENALE FORNO 20 1/1	BACK PANEL 20 1/1				a;b;c;d;e;f;g;h Up to 2022/12
101	0CK88I	50340C200	SCHIENALE FORNO 20 1/1	BACK PANEL 20 1/1				a;b;c;d;e;f;g;h From 2022/13
101	0CK711	503409503	SCHIENALE FORNO 20 2/1	BACK PANEL 20 2/1				i;j;k;l;m;n;o;p;q Up to 2022/12
101	0CK88L	50340C900	SCHIENALE FORNO 20 2/1	BACK PANEL 20 2/1				i;j;k;l;m;n;o;p;q From 2022/13
102		503408200	COPERCHIO FORNO 20 1/1	TOP PANEL 20 1/1				a;b;c;h Up to 2022/12
102	0CK88G	50340BZ00	COPERCHIO FORNO 20 1/1	TOP PANEL 20 1/1				a;b;c;h From 2022/13
102		503408302	COPERCHIO FORNO 20 1/1	TOP PANEL 20 1/1				d;e;f;g Up to 2022/12
102	0CK88H	50340C000	COPERCHIO FORNO 20 1/1	TOP PANEL 20 1/1				d;e;f;g From 2022/13
102		503409J02	COPERCHIO FORNO 20 2/1	TOP PANEL 20 2/1				i;j;k;p;q Up to 2022/12
102	0CK88P	50340CF00	COPERCHIO FORNO 20 2/1	TOP PANEL 20 2/1				i;j;k;p;q From 2022/13
102		503409K02	COPERCHIO FORNO 20 2/1	TOP PANEL 20 2/1				l;m;n;o Up to 2022/12
102	0CK88Q	50340CG00	COPERCHIO FORNO 20 2/1	TOP PANEL 20 2/1				l;m;n;o From 2022/13
103	0C4234	806847803	CERNIERA SUPERIORE	UPPER HINGE	X	X		
104	0CK071	543401S03	AMMORTIZZATORE VETRO INTERNO	INNER GLASS DUMPER			X	a;b;d;e;f;h;i;j; l;m;n;p
105	0CK319	830409802	MANIGLIA PORTA	DOOR HANDLE	X			ZANUSSI
106	0CK148	50440CX02	MOLLA FERMAVETRO	INNER GLASS STOPPER			X	
107	0CK384	654400500	SENSORE REED PORTA	DOOR REED SENSOR				L=1100;mm
108	0CK557	835405A03	CERNIERA INFERIORE PORTA	LOWER HINGE	X	X		RIGHT HINGED Up to 2022/12
108	0CK88D	511401200	CERNIERA INFERIORE PORTA	LOWER HINGE	X	X		RIGHT HINGED From 2022/13
109	0CK519	511400Y00	POSIZIONATORE INFERIORE	DOOR POSITIONER			X	RIGHT HINGED
110	0CK671	051440A901	PERNO PARETE ASPIRAZIONE E SUP- PORTO TEGLIE	SUCTION WALL PIN				
111	0CK672	051440V03	BOCCOLA INF. PARETE ASPIRAZIONE	SUCTION WALL LOWER BUSH				
112	0CK297	548401U02	MANIGLIA PORTA	DOOR HANDLE	X			EPR up to 2021/16
112	0CK666	548401U03	MANIGLIA PORTA	DOOR HANDLE	X			EPR from 2021/17
113	0CK691	0800401B02	CERNIERA X VETRO INTERNO PORTE	DOOR INNER GLASS HINGE				
114	0CK505	879403902	ASSIEME VETRO INTERNO 20 1/1	INNER GLASS ASSEMBLY 20 1/1	X	X		a;b;c;d;e;f;g;h
114	0CK556	879403A02	ASSIEME VETRO INTERNO 20 2/1	INNER GLASS ASSEMBLY 20 2/1	X	X		i;j;k;l;m;n;o;p;q
115	0CK497	543401Z01	GUARNIZIONE CELLA-PORTA 20 1/1	DOOR GASKET 20 1/1	X	X		a;b;c;d;e;f;g;h
115	0CK548	543402001	GUARNIZIONE CELLA-PORTA 20 2/1	DOOR GASKET 20 2/1	X	X		i;j;k;l;m;n;o;p;q
116	0CK275	83040CZ01	SPILLONE MULTIPUNTO (6 PUNTI)	FOOD PRB MULTIPOINT(6 POINTS)			X	e;f;g;m;n;o Up to 2020/11
116	0CK601	83040P302	SPILLONE MULTIPUNTO (6 PUNTI)	FOOD PRB MULTIPOINT(6 POINTS)			X	e;f;g;m;n;o From 2020/12

SKYLINE							
Pos	Spare part Code	Factory code	Descrizione	Description	V	W & T	S Ref./Notes
116	0CK86J	83040D001	SPILLONE SINGOLO PUNTO	FOOD PROBE SINGLE POINT		X	a;b;c;d;h;i;j;k;l; p;q Up to 2020/11
116	0CK602	83040P202	SPILLONE SINGOLO PUNTO	FOOD PROBE SINGLE POINT		X	a;b;c;d;h;i;j;k;l; p;q From 2020/12
117	0CK493	500407Q01	SUPPORTO FILTRO	FILTER SUPPORT			
118	0CK494	549401901	FILTRO ARIA	AIR FILTER		X	
119	0CK496	549401600	PIEDE	FOOT			
120	0CK86C	514406B02	PERNO ADATTATORE MANIGLIA	HANDLE PIN ADAPTOR			
121	0CK331	548402700	COPERCHIETTO MANIGLIA EPR	EPR HANDLE COVER		X	EPR Up to 2021/16
121	0CK667	548402701	COPERCHIETTO MANIGLIA EPR	EPR HANDLE COVER		X	EPR From 2021/17
122	0CK649	0598404V01	ETICHETTA GPSAC	GPSAC LABEL			d;h;l;p;q
123	0CK114	543402500	GUARNIZIONE ASPIRAZIONE ARIA	AIR INLET GASKET		X	
124	0CK86H	506407C00	SUPPORTO SPILLONE	FOOD PROBE SUPPORT			Up to 2020/11
125	0CK86I	51440AC00	MOLLETTA AGGANCIAMENTO SPILLONE	FOOD PROBE SPRING			From 2020/12
127	0E1331	206004105	ROSETTA	WASHER		X	
128	0C3973	214014255	VITE M6X25	SCREW M6X25		X	
129	0CK082	805407P01	BARRA LED	LED BAR		X	
130	0CK606	878408102	PARETE DI ASPIRAZIONE 20 1/1	SUCTION WALL 20 1/1			a;b;c;d;e;f;g;h Up to 2021/16
130	0CK743	878408103	PARETE DI ASPIRAZIONE 20 1/1	SUCTION WALL 20 1/1			a;b;c;d;e;f;g;h From 2021/17
130	0CK604	878409R00	PARETE DI ASPIRAZIONE 20 1/1	SUCTION WALL 20 1/1			a;b;c;d;e;f;g;h; BAKERY Up to 2021/16
130	0CK748	878409R01	PARETE DI ASPIRAZIONE 20 1/1	SUCTION WALL 20 1/1			a;b;c;d;e;f;g;h; BAKERY From 2021/17
130	0CK607	878408201	PARETE DI ASPIRAZIONE 20 2/1	SUCTION WALL 20 2/1			i;j;k;l;m;n;o;p;q Up to 2021/16
130	0CK744	878408202	PARETE DI ASPIRAZIONE 20 2/1	SUCTION WALL 20 2/1			i;j;k;l;m;n;o;p;q From 2021/17
131	0CK523	547400A00	BOCCOLA IGUS 'IGLIDUR	BUSH IGUS 'IGLIDUR		X	
132	0CK495	514406Y01	STELO FILETTATO	THREADED STEM			Up to 2022/12
132	0CK88E	050040D800	STELO FILETTATO	THREADED STEM			From 2022/13
132a	0CK9AL	544403R00	SEMIGUSCIO DX SUPPORTO PIEDINO	RIGHT HALF-SHELL FOOT SUPPORT			From 2022/13
132b	0CK9AM	544403T00	SEMIGUSCIO SX SUPPORTO PIEDINO	LEFT HALF-SHELL FOOT SUPPORT			From 2022/13
133	0CK675	83040Q103	ASS. PORTA 2 VETRI 20 1/1	DOOR ASSY 2 GLASSES 20 1/1			a;b;d;e;f;h - EPR
133	0CK677	83040Q304	ASS. PORTA 2 VETRI 20 2/1	DOOR ASSY 2 GLASSES 20 2/1			i;j;l;m;n;p - EPR
133	0CK453	83040NA01	ASS. PORTA 2 VETRI 20 1/1	DOOR ASSY 2 GLASSES 20 1/1			a;b;d;e;f;h - ZAN
133	0CK9AW	83040S200	ASS. PORTA 2 VETRI 20 2/1	DOOR ASSY 2 GLASSES 20 2/1			i;j;l;m;n;p - ZAN
133	0CK465	83040NP01	ASS. PORTA 2 VETRI 20 1/1	DOOR ASSY 2 GLASSES 20 1/1			a;b;d;e;f;h - TO BRAND
133	0CK9AX	83040S300	ASS. PORTA 2 VETRI 20 2/1	DOOR ASSY 2 GLASSES 20 2/1			i;j;l;m;n;p - TO BRAND
133	0CK676	83040Q203	ASS. PORTA 3 VETRI 20 1/1	DOOR ASSY 3 GLASSES 20 1/1			c;g - EPR;
133	0CK678	83040Q403	ASS. PORTA 3 VETRI 20 2/1	DOOR ASSY 3 GLASSES 20 2/1			k;o;q - EPR;
133	0CK454	83040NB01	ASS. PORTA 3 VETRI 20 1/1	DOOR ASSY 3 GLASSES 20 1/1			c;g - ZAN
133	0CK456	83040ND01	ASS. PORTA 3 VETRI 20 2/1	DOOR ASSY 3 GLASSES 20 2/1			k;o;q - ZAN
133	0CK466	83040NQ01	ASS. PORTA 3 VETRI 20 1/1	DOOR ASSY 3 GLASSES 20 1/1			c;g - TO BRAND
133	0CK468	83040NS01	ASS. PORTA 3 VETRI 20 2/1	DOOR ASSY 3 GLASSES 20 2/1			k;o;q - TO BRAND

SKYLINE							
Pos	Spare part Code	Factory code	Descrizione	Description	V	W & T	S Ref./Notes
134		855408L00	ASS. VETRO INTERMEDIO 20 1/1	MIDDLE GLASS ASS.Y 20 1/1			c;g
134		855408K00	ASS. VETRO INTERMEDIO 20 2/1	MIDDLE GLASS ASS.Y 20 2/1			k;o;q
135	0CK562	543403J00	ASS. GUARN. VETRO INTERMEDIO 20 1/1	MIDDLE GLASS GASKET ASS.Y 20 1/1			c;g
135	0CK563	543403K00	ASS. GUARN. VETRO INTERMEDIO 20 2/1	MIDDLE GLASS GASKET ASS.Y 20 2/1			k;o;q
136	0CK525	879403X03	MECCANISMO DI CHIUSURA PORTA	DOOR LATCH			
137	0CK269	083040BX00	SONDA CELLA	CAVITY PROBE			Up to 2022/12
137	0CK878	083040QB00	SONDA CELLA	CAVITY PROBE			From 2022/13
*	0CK857		KIT SENSORE TEMPERATURA	TEMPERATURE SENSOR KIT			
138	0CK498	083040C100	SENSORE T.C. TEMP. CELLA INF.	LOWER CELL T.C. SENSOR			Up to 2022/12
138	0CK88R	083040QC00	SENSORE T.C. TEMP. CELLA INF.	LOWER CELL T.C. SENSOR			From 2022/13
139	0CK614	543403R02	GUARNIZIONE	GASKET			a;b;c;d;e;f;g;h
139	0CK615	543403S02	GUARNIZIONE	GASKET			i;j;k;l;m;n;o;p;q
141	0C3528	544802400	PRESSACAPO	CABLE GLAND			
142	0C4122	538807400	DISTANZIALE 20/10	SPACER 20/10			
143	0C3802	538804900	NASELLO CHIUSURA PORTA	CATCH DOOR CLOSING			
144	003822	853821600	MECCANISMO DI ESTREMITA'	HOOK			
145	0CK521	515409A00	ASTA SUPERIORE	SUP. LEVER DOOR LOCK MEC.			
146	0H6043	214593100	SPINA ELASTICA	ELASTIC PIN			
147	003824	853821500	CORPO CHIUSURA	CORE DOOR LOCK			
148	0CK524	80540A100	BOCCOLA	MECHANISM BUSH			
149	0CK520	515405V01	ASTA INFERIORE	INF. LEVER DOOR LOCK MECHANISM			
150	0CK083	0514404Y01	BICONO TENUTA TERMOCOPPIA	THERMOCOUPLE BICONICAL SEALING			Up to 2022/12
151	0TTMIF	80540FK01	ASSIEME LEVA AZIONAMENTO	SIMULATOR DRIVE LEVER ASSEMBLY			
152	0TTMIG	80540DH01	ASSIEME LEVA INFERIORE PIASTRA	LOWER LEVER ASSEMBLY			
153	*	50440CK03	PIASTRA DI TENUTA	PLATE			a;b;c;d;e;f;g;h
153	*	50440CN01	PIASTRA DI TENUTA	PLATE			i;j;k;l;m;n;o;p;q Up to 2021/42
153	*	50440CN02	PIASTRA DI TENUTA	PLATE			i;j;k;l;m;n;o;p;q From 2021/43
154	0TTMP7	505408V00	ASTINA DI COLLEGAMENTO	CONNECTION ROD			a;b;c;d;e;f;g;h
154	*	505408W00	ASTINA DI COLLEGAMENTO	CONNECTION ROD			i;j;k;l;m;n;o;p;q
155	0C8756	217432105	VITE TE M4X10 FLANGIATA DENTELLATA	SCREW M4X10			
156	0CK756	514409T01	MOLLA DITORSIONE SINISTRA	LEFT TORSION SPRING			a;b;c;d;e;f;-g;h
156	0CK757	51440A500	MOLLA DITORSIONE SINISTRA	LEFT TORSION SPRING			i;-j;k;l;m;n;o;p;q
157	0CK758	514409U01	MOLLA DI TORSIONE DESTRA	RIGHT TORSION SPRING			a;b;c;d;e;f;-g;h
157	0CK759	51440A600	MOLLA DI TORSIONE DESTRA	RIGHT TORSION SPRING			i;-j;k;l;m;n;o;p;q

SKYLINE							
Pos	Spare part Code	Factory code	Descrizione	Description	V	W & T	S Ref./Notes
158	0CK789	514407U00	LATERALE SX PIASTRA SIMULATORE	LEFT SIDE SIMULATOR PLATE			Up to 2021/42
159	0CK88V	505409T00	SUPPORTO GUARNIZIONE CARRELLO-PORTA	GASKET SUPPORT		X	a;b;c;d;e;f;g;h
159	0CK88W	505409U00	SUPPORTO GUARNIZIONE CARRELLO-PORTA	GASKET SUPPORT		X	i;j;k;l;m;n;o;p;q
200	0CK161	541401D01	PROTEZIONE SCHEDE USER	USER INTERFACE COVER			
201	0CK037	638404D00	CAVO PROLUNGA USB	USB PROLONG		X	a;b;c;e;f;g;i;j;k;m;n;o
201		638405P00	CAVO PROLUNGA USB	USB PROLONG		X	d;h;l;p;q
202	0CK041	546400V01	SPORTELLINO USB	USB WINDOW		X	
203	0TTMGT	0638404V01	CABLAGGIO USER INTERFACE	COMMUNICATION CABLE MD J2 1-5 TO ACU X27	X		
204	0CK144	541401F03	MEMBRANA TOUCH EPR CON BOILER (PREMIUM S)	EPR TOUCH MEMBRANE WITH BOILER (PREMIUM S)		X	e;f;g;m;n;o
204	0CK298	541402502	MEMBRANA TOUCH EPR SENZA BOILER (PRO S)	EPR TOUCH MEMBRANE WITHOUT BOILER (PRO S)		X	a;b;c;i;j;k
204	0CK299	541401U04	MEMBRANA TOUCH ZANUSSI CON BOILER (MAGISTAR COMBI TS)	ZANUSSI TOUCH MEMBRANE WITH BOILER (MAGISTAR COMBI TS)		X	e;f;g;m;n;o
204	0CK300	541402704	MEMBRANA TOUCH ZANUSSI SENZA BOILER (MAGISTAR COMBI TI)	ZANUSSI TOUCH MEMBRANE NO BOILER (MAGISTAR COMBI TI)		X	a;b;c;i;j;k
204	0CK332	541401V02	MEMBRANA TOUCH TO BRAND (GRIGIA)	TO BRAND TOUCH MEMBRANE (GREY)		X	a;b;c;e;f;g;i;j;k;m;n;o
204	0TTLG9	541402S01	MEMBRANA TOUCH DIAMOND	DIAMOND TOUCH MEMBRANE		X	a;b;c;e;f;g;i;j;k;m;n;o
204	0CK9AJ	541403F00	MEMBRANA TOUCH ENGEFOOD	ENGEFOOD TOUCH MEMBRANE			a;b;c;e;f;g;i;j;k;m;n;o
205	0CK9AR	675401U05	ACU –SCHEDE POWER	ACU-POWER BOARD	X		a;b;c;e;f;g;i;j;k;m;n;o T.B. PDD2022_10
205	0CK9AR	675401U05	ACU –SCHEDE POWER	ACU-POWER BOARD	X		d;h;l;p;q T.B. PDD2022_12
206	0CK034	673400900	DISPLAY 7"	DISPLAY 7"		X	a;b;c;e;f;g;i;j;k;m;n;o
207	0CK514	694401000	FILTRO EMC	EMC FILTER		X	Up to 2021/42
207	0CK514	694401000	FILTRO EMC	EMC FILTER		X	220-230-240;V Always
207	0CK86F	694401800	FILTRO EMC	EMC FILTER		X	From 2021/43
208	046357	639804901	MORSETTIERA 35 mm2	MAIN TERMINAL BLOCK 35 mm2			a;b;c;d;e;f;g;h 380-415V
209	0L3360	63962B400	PORTA FUSIBILI (PEZZO SINGOLO)	FUSE HOLDER (SINGLE PIECE)	X		
211a	0CK199	682400G00	VENTILATORE RAFFREDDAMENTO	COOLING FAN		X	
211b	0CK199	682400G00	VENTILATORE RAFFREDDAMENTO	COOLING FAN		X	Up to 2022/12
211c	0CK199	682400G00	VENTILATORE RAFFREDDAMENTO	COOLING FAN		X	i;j;k;l;m;n;o;p;q Up to 2022/12
212	0CK168	657400201	SONDA LAMBDA	LAMBDA PROBE		X	
213	0CK040	543401N01	CRUSCOTTO PLASTICA TOUCH	PLASTIC FRAME TOUCH			a;b;c;e;f;g;i;-j;k;m;n;o
214	0CK033	675401G00	SCHEDE ON/OFF	ON/OFF BOARD	X	X	
215	0CK036	675401J01	SCHEDE BRIDGE	BRIDGE BOARD	X		a;b;c;e;f;g;i;j;k;m;n;o
*	0CK674	675403M00	MICROSD HC 8GB CL4 SANDISK	MICROSD HC 8GB CL4 SANDISK			
216	0CK183	646400G00	TERMOSTATO SICUREZZA BOILER	BOILER SAFETY THERMOSTAT	X		Up to 2022/40
217	0CK184	646400H00	TERMOSTATO SICUREZZA CELLA	CAVITY SAFETY THERMOSTAT	X		
218	0CK039	655400000	ALTOPARLANTE	SPEAKER			a;b;c;e;f;g;i;-j;k;m;n;o
219	0CK424	675403H00	INVERTER	INVERTER	X		

SKYLINE							
Pos	Spare part Code	Factory code	Descrizione	Description	V	W & T	S Ref./Notes
220	0CK643	675403K00	SMPS ALIM. SWITCHING 24V	SWITCHING FEEDER 24V	X		For appliances up to 2020/42 order also pos. 221-221a
221	096342	648R11400	SMPS ALIM. SWITCHING 12V	SWITCHING FEEDER 12V	X		For appliances ;up to 2020/42 order also pos. 220-221a
221a		83040Q000	KIT RETROFIT PER SMPS	SMPS KIT RETROFIT SMPS			Up to 2020/42 +;pos.;220/221
222	0CK145	640400300	MICRO INTERRUETTORE	MICRO SWITCH		X	Up to 2022/12
223	<b>0CBCCJ</b>	<b>544403M00</b>	<b>CONDOTTO ARIA RAFFREDDAMENTO</b>	<b>AIR CONVEYOR</b>		<b>X</b>	<b>From 2022/13</b>
225	0CK044	675401P02	SCHEDA USER DIGIT	DIGIT USER BOARD	X		d;h;l;p;q
226	0CK043	543401Q02	CRUSCOTTO PLASTICA DIGIT	PLASTIC FRAME DIGIT			d;h;l;p;q
227	088267	648722900	RELE'	RELAY	X	X	Up to 2021/16
227	0CK705	648401300	RELE'	RELAY	X	X	
227	0CK707	648401500	RELE'	RELAY	X	X	120V;USA
228	0CK042	657400101	SCHEDA NIU	NIU BOARD			
229	0CK045	675401Q00	CAVETTO ON/OFF TOUCH	ON/OFF CABLE TOUCH		X	a;b;c;e;f;g;i;j;k;m;n;o
229	0CK329	675402K00	CAVETTO ON/OFF DIGIT	ON/OFF CABLE DIGIT		X	d;h;l;p;q
230	0CK254	646400A00	SONDA TEMPERATURA COMPONENTI	NTC COMPONENT TEMPERATURE PROBE	X	X	
233	0CK685	83040PL01	ASSIEME USER TOUCH	USER INTERFACE ASSEMBLY TOUCH	X		a;b;c;e;f;g;i;j;k;m;n;o
234	0CK079	830409604	ASSIEME USER DIGIT	USER INTERFACE ASSEMBLY DIGIT	X		d;h;l;p;q Up to 2021/42
234	0CK86G	830409605	ASSIEME USER DIGIT	USER INTERFACE ASSEMBLY DIGIT	X		d;h;l;p;q From 2021/43
235	0C5239	652806000	FUSIBILE 5X20 4A ST520240	FUSE 5X20 4A ST520240	X	X	
235	0L3435	0652608D00	FUSIBILE CERAMICO 5X20 250V 6.3 A T RITARDATO/OMEGA GT520263	DELAYED CERAMIC FUSE 5X20 250V 6.3 A T OMEGA GT520263	X	X	
236	0CK032	514405001	MOLLA SPORTELLINO	SPRING		X	
237	0CK038	638404F02	CAVETTO RECOVERY	RECOVERY CABLE		X	
238	0CK030	546400U01	SUPPORTO USB	USB CAGE			
239	0CK292	541401G04	MEMBRANA DIGIT EPR CON BOILER (PREMIUM)	EPR DIGIT MEMBRANE WITH BOILER (PREMIUM)		X	d;l
239	0CK301	541402603	MEMBRANA DIGIT EPR SENZA BOILER (PRO)	EPR DIGIT MEMBRANE WITHOUT BOILER (PRO)		X	h;p;q
239	0CK302	541401W03	MEMBRANA DIGIT ZANUSSI CON BOILER (COM-BI DS)	ZANUSSI DIGIT MEMBRANE WITH BOILER (COMBI DS)		X	d;l
239	0CK303	541402804	MEMBRANA DIGIT ZANUSSI SENZA BOILER (COMBI DI)	ZANUSSI DIGIT MEMBRANE WITHOUT BOILER (COMBI DI)		X	h;p;q
239	0CK333	541401X02	MEMBRANA DIGIT TO BRAND CON BOILER (GRIGIA/NERA)	TO BRAND DIGIT MEMBRANE WITH BOILER (GREY/BLACK)		X	d;l
239	0CK334	541402A02	MEMBRANA DIGIT TO BRAND SENZA BOILER (GRIGIA/NERA)	TO BRAND DIGIT MEMBRANE WITHOUT BOILER (GREY/BLACK)		X	h;p;q
239		541402U01	MEMBRANA DIGIT DIAMOND CON BOILER	DIAMOND DIGIT MEMBRANE WITH BOILER		X	
239		541402T01	MEMBRANA DIGIT DIAMOND SENZA BOILER	DIAMOND DIGIT MEMBRANE WITHOUT BOILER		X	
239	0CK9AK	541403G00	MEMBRANA DIGIT ENGEFOOD SENZA BOILER	ENGEFOOD DIGIT MEMBRANE WITHOUT BOILER		X	h;p;q
244	0CK330	675401L00	CAVETTO CONNESSIONE SPEAKER	WIRING SPEAKER		X	a;b;c;e;f;g;i;j;k;m;n;o
245	0CK622	546401700	TASTO PER TASTIERA DIGIT 13X13 H11.4MM	LIGHTED PUSH-BUTTON 13X13 H11.4MM			d;h;l;p;q
248	0CK668	546813700	TASTO PER TASTIERA DIGIT 21X21 H11.4MM	LIGHTED PUSH-BUTTON 21X21 H11.4MM			d;h;l;p;q

SKYLINE								
Pos	Spare part Code	Factory code	Descrizione	Description	V	W & T	S	Ref./Notes
300	0CK418	686400304	POMPA LAVAGGIO 220-240V 50/60HZ	CLEANING PUMP 220-240V 50/60HZ	X	X		Order KIT 0CBAN1
301	0C4202	516896000	CONTRODADO	NUT		X		Up to 2021/16
301a	0CK726	51440AW00	EXTENSION FOR ISG & CLEANING INLET	ESTENSIONE PER ISG		X		From 2021/17
302	0C4201	543841400	GUARNIZIONE IN RAME	COPPER GASKET		X		
302a	0CBAWL	506408Z00	RONDELLA PIANA D 21X31	WASHER D 21X31				
303	0CK512	83040KA00	ASS. ELETTROVALVOLA 2 VIE RM1200	WATER VALVE ASSEMBLY 2 WAYS RPE RM1200		X		a;b;c;d;e;f;g;h;j;l;m;n;o
304	0C5385	835872300	FASCETTA NORMACLAMP COBRA DN 16X8	CLAMP COBRA DN 16 X 8				
305	0CK513	83040K800	GRUPPO ELETTROVALVOLE RM1400	SOLENOID VALVES GROUP RM1400		X		e;f;g;m;n;o ENGEFOOD
305	0CK565	83040K900	GRUPPO ELETTROVALVOLE RM1300	SOLENOID VALVES GROUP RM1300		X		a;b;c;d;h;i;j;k;l;p;q
306	0CK9AH	083040K600	FLUSSIMETRO	FLOW METER		X		
307	0CK503	80540B102	INGRESSO UMIDIFICATORE 20 1/1	HUMIDIFIER INLET 20 1/1				a;b;c;d;e;f;g;h Up to 2021/16
307	0CK566	80540BY01	INGRESSO UMIDIFICATORE 20 2/1	HUMIDIFIER INLET 20 2/1				i;j;k;l;m;n;o;p;q Up to 2021/16
309	0CK228	696400L01	ELETTROVALVOLA	SOLENOID VALVE		X		
310	0CK221	544401G03	MANICOTTO MANDATA POMPA NBR	NBR PUMP EXIT MANIFOLD		X		EPDM KIT 0CK86E
311	0CK137	544401F03	MANICOTTO ASPIRAZIONE POMPA NBR	NBR PUMP INLET MANIFOLD		X		EPDM KIT 0CK86E
312	0CK559	83040KC00	ELETTROVALVOLA RM1100 ISG	RM1100 ISG SOLENOID VALVE		X		i;j;k;p;q
313	0CK087	541402F01	CILINDRO PASTIGLIE	CYLINDER FOR TABS		X		
314	0CK510	83040GP03	CONDUTT. CLEANING SYSTEM 20 1/1	CLEANING SYSTEM PIPING 20 1/1				a;b;c;d;e;f;g;h Up to 2021/16
314	0CK718	83040GP04	CONDUTT. CLEANING SYSTEM 20 1/1	CLEANING SYSTEM PIPING 20 1/1				a;b;c;d;e;f;g;h From 2021/17
314	0CK542	83040HX02	CONDUTT. CLEANING SYSTEM 20 2/1	CLEANING SYSTEM PIPING 20 2/1				i;j;k;l;m;n;o;p;q Up to 2021/16
314	0CK719	83040HX03	CONDUTT. CLEANING SYSTEM 20 2/1	CLEANING SYSTEM PIPING 20 2/1				i;j;k;l;m;n;o;p;q From 2021/17
315	0CK157	514F02U00	PORTAGOMMA	HOSE FITTING		X		
316	0C2312	549801800	VALVOLA DI NON RITORNO	NON-RETURN VALVE				
317	0CK646	083040KU00	ASS. RACCORDO 3/4" INGRESSO ACQUA	WATER INLET FITTING				
323	0CB250	689400000	VALVOLA SCARICO BOILER	BOILER DRAIN VALVE	X	X		
323	0CB251	689400500	VALVOLA SCARICO BOILER	BOILER DRAIN VALVE	X	X		USA
324	0CK609	80540FD03	PANNELLO FACCIATA INFERIORE	FRONT LOWER PANEL				Up to 2022/12
324	0CK88T	80540FD04	PANNELLO FACCIATA INFERIORE	FRONT LOWER PANEL				From 2022/13
325	0CK657	544403H00	MANICOTTO A GOMITO SCARICO CELLA NBR	NBR MANIFOLD		X		EPDM KIT 0CK86E
326	0CK509	83040FL03	ASSIEME CAMINO ABBATTITORE	STEAM EXHAUST PIPE				
327	0CK670		CONDENSATORE 5 MF	CAPACITOR 5 MF				
329	0CK193	689400700	VALVOLA MOTORIZZATA 1"	MOTORIZED BALL VALVE 1"	X	X		
330	0CK138	544401V02	MANICOTTO COLLEGAMENTO CAMINO	RUBBER MANIFOLD		X		
331	0CK518	835405J04	DOCCETTA	WATER SPRAY GUN				Up to 2022/12
331	0CK86R	835405J05	DOCCETTA	WATER SPRAY GUN				From 2022/13
332	0CK096	514405A00	DADO CIECO 1"G	NUT 1"		X		
333	0CK88U	83040Q600	ASS. COLLETTORE SCARICO AIR-BREAK	AIRBREAK DRAIN ASSEMBLY	X	X		
335	0CK162	518400Y00	RONDELLA OTTONE (34X42X2.5)	BRASS WASHER (34X42X2.5)		X		
336	0CK170	83040C000	SONDA TEMP. ABBATTITORE FUMA-NE	STEAM QUENCHING TEMP. PROBE	X	X		
*	0CK858		KIT SONDA TEMP. ABBATTITORE FUMANE	STEAM QUENCHING TEMP. PROBE KIT				
337	0CK106	502404000	FILTRO SUPPORTO DETERGENTE	DETERGENT HOLDER FILTER				



SKYLINE							
Pos	Spare part Code	Factory code	Descrizione	Description	V	W & T	S Ref./Notes
338	0CK206	544402Z00	TUBO SILICONE	SILICON HOSE		X	
339	046855	518602801	FASCETTA	CLAMP		X	
340	0CK169	653400B00	SONDA NTC SICUREZZA	SAFETY NTC PROBE	X	X	
341	0CK304	0835405Q00	ASSIEME FASCETTA FBS HC 24/12	SPRING CLAMP FBS HC 24/12 ASSEMBLY		X	
342	0CK191	544402Y00	TUBO SCARICO BOILER	BOILER DRAIN HOSE		X	
344	0C5829	544819400	TUBO EPDM BLU	EPDM BLUE HOSE		X	
345	0CK192	544401Y00	TUBO SILICONE RETINATO	SILICONE HOSE REINFORCED		X	
346	0CK046	544403300	TUBO NBR TELATO	NBR HOSE BLACK		X	
347	0CK083	514404Y01	BICONO TENUTA TERMOCOPPIA	THERMOCOUPLE BICONICAL SEA-LING		X	Up to 2022/12
349	0L3736	640613Q00	SENSORE REED CASSETTO PASTIGLIE	TABS DRAWER REED SENSOR			
352	0CK177	514406W01	SUPPORTO PASTIGLIE	TABS HOLDER			Up to 2020/42 Order; 352a;+;354a
352a	0CK655	542400D00	SUPPORTO PASTIGLIE	TABS HOLDER			From 2020/43
353	0CK246	514406V01	MOLLA TAPPO	CUP SPRING		X	
354	0CK125	543402S01	GUARNIZIONE TAPPO	CUP GASKET		X	Up to 2020/42 Order 352a + 354a
354a	0CK656	543403W01	GUARNIZIONE TAPPO	CUP GASKET		X	From 2020/43
355	0CK180	541402M00	TAPPO MOBILE	MOBILE CUP		X	Up to 2020/42 Order; 352a + 354a
356	0CK179	541402D00	TAPPO FISSO	FIX CUP		X	Up to 2020/42
356a	0CK645	80540GG00	TAPPO FISSO	FIX CUP		X	From 2020/43
357	0CK322	80540DK01	ASSIEME TAPPO SERBATOIO CHIMICA	CUP TANK ASSEMBLY		X	Up to 2020/42
357a	0CK322	80540DK04	ASSIEME TAPPO SERBATOIO CHIMICA	CUP TANK ASSEMBLY		X	From 2020/43
358	0PE481	511T00300	MANOPOLA ZIGRINATA	KNURLED SCREW		X	
358a	0CK671	051440A901	PERNO	PIN			
358b	0CK672	0514404V03	BOCCOLA	BUSH			
359	0CK669	001541900	RONDELLA INOX (5X15X1,5)	INOX WASHER (5X15X1,5)			
360	0CK100	835405P00	FASCETTA A MOLLA FBS HC 38/12	SPRING CLAMP FBS HC 38/12		X	
361	0CK710	546401N00	RACCORDO A Y PORTAGOMMA PG10 IN PA6 COD. 5060TR10	THREE WAYS FITTING			From 2021/17 Up to 2022/12
361	0CK88S	546401N01	RACCORDO A Y PORTAGOMMA ELDON JAMES 3/8	THREE WAYS FITTING			From 2022/13
362	0S1279	0PP313.00.00	SEGER PER MINIREEL (PER FORO d. 28)	SEEGER diam. 28 mm		X	From 2022/13
363	0CBAJ9	P666	O-RINGS KIT	O-RINGS KIT		X	From 2022/13
364	0PRRXM	080540H300	TUBO FLESSIBILE GOMMA EPDM	HOSE WITH O-RINGS AND COUPLINGS		X	d.6x12mm, length 2 mt
365	0CK430	0R.P470	MOLLA SAGOMATA	SPRING		X	
366	0L0673	0PP243.00.00	TESTA DOCCIA	SPRAY VALVE		X	Up to 2022/12
366	0CBAJ8	80540H200	TESTA DOCCIA	SPRAY VALVE		X	From 2022/13
367	0L0674	80540H100	ASSIEME RACCORDO PINTOSSI 90°	90° FITTING ASSEMBLY			From 2022/13
370	0CK499	800402W02	COLLETTORE SCARICO CELLA	CAVITY DRAIN COLLECTOR			a;b;c;d;e;f;g;h
370	0CK567	800403B02	COLLETTORE SCARICO CELLA	CAVITY DRAIN COLLECTOR			i;j;k;l;m;n;o;p;q
371	0CK679	0544403A01	TUBO NBR TELATO D25x35	HOSE D25x35			a;b;c;d;e;f;g;h
371		0544403B01	TUBO NBR TELATO D25x35	HOSE D25x35			i;j;k;l;m;n;o;p
372	0PRRXN	080540J000	ASS. TUBO INGRESSO	INLET HOSE ASSEMBLY			From 2022/13

SKYLINE								
Pos	Spare part Code	Factory code	Descrizione	Description	V	W & T	S	Ref./Notes
374	0CK046	0544403300	TUBO ESTRUSO NBR 10X17	NBR HOSE 10X17				
400	0CK084	83040HG03	BOILER 20 1/1	BOILER 20 1/1	X			d,e,f,g
400a	0CK549	83040J004	BOILER 20 2/1	BOILER 20 2/1	X			l,m,n,o
401	0CK189	544401B01	TUBO INGRESSO VAPORE	STEAM INLET HOSE	X	X		a,b,c,d,e,f,g,h
401	0CK568	544403201	TUBO INGRESSO VAPORE	STEAM INLET HOSE	X	X		ij,k,l,m,n,o,p,q
402	007033	830890501	SONDA LIVELLO ACQUA	WATER LEVEL SENSOR	X	X		d,e,f,g,l,m,n,o
402a	0C0939	831812001	SONDA LIVELLO ACQUA	WATER LEVEL SENSOR	X	X		l,m,n,o
403	0CK119	543402K00	GUARNIZIONE CANDELINA ACC.NE BOILER	BOILER IGNITION ROD GASKET	X	X		a,b,c,d,e,f,g,h
403	0CK569	543403B00	GUARNIZIONE CANDELINA ACC.NE BOILER	BOILER IGNITION ROD GASKET	X	X		ij,k,l,m,n,o,p,q
404	0CK270	83040BY01	SENSORE DI TEMPERATURA BOILER	BOILER TEMPERATURE SENSOR	X	X		
405	0CK115	543402J01	GUARNIZIONE BRUCIATORE 20 1/1	BURNER GASKET 20 1/1	X	X		a,b,c,d,e,f,g,h
405	0CK116	543402L02	GUARNIZIONE BRUCIATORE 20 2/1	BURNER GASKET 20 2/1	X	X		ij,k,l,m,n,o,p,q
406	0CK286	835403Z02	BRUCIATORE BOILER	BOILER BURNER	X			a,b,c,d,e,f,g,h Order KIT 0CBAKR
406	0CK288	835405S02	BRUCIATORE BOILER	BOILER BURNER	X			ij,k,l,m,n,o,p,q Order KIT 0CBAKP
407	0CK273	83040CD04	CAND. ACC.NE BOILER	BOILER IGNITION ROD	X	X		a,b,c,d,e,f,g,h Order KIT 0CBAN2
407	0CK277	83040FD02	CAND. ACC.NE BOILER	BOILER IGNITION ROD	X	X		ij,k,l,m,n,o,p,q Order KIT 0CBAN4
408	0CK124	543402H01	GUARNIZIONE SOFFIANTE CELLA	CAVITY BLOWER GASKET	X	X		
409	0C4105	624810600	ACCENDITORE	IGNITER	X	X		
410	0CK159	83040DL02	PROLUNGA BRUCIATORE	BURNER PROLONG				a,b,c,d,e,f,g,h
411	0C1044	518807600	MOLLA	SPRING		X		
412	0CK146	511400V00	MIXER	MIXER	X			
413	0CK570	560402701	ISOLANTE BOILER 20 2/1	BOILER INSULATION 20 2/1		X		l,m,n,o
413a	0CK131	560401F04	ISOLANTE BOILER 20 1/1-a	BOILER INSULATION 20 1/1-a		X		d,e,f,g
413b	0CK132	560401G04	ISOLANTE BOILER 20 1/1-b	BOILER INSULATION 20 1/1-b		X		d,e,f,g
413c	0CK133	560401H01	ISOLANTE BOILER 20 1/1-c	BOILER INSULATION 20 1/1-c		X		d,e,f,g
414	0CK198	682400C00	VENTILATORE CELLA 50 Hz	CAVITY BLOWER 50 Hz	X			For 50Hz
414	0CK409	682400K00	VENTILATORE CELLA 60 Hz	CAVITY BLOWER 60 Hz	X			For 60Hz
415	0CK188	515404902	TUBO INGRESSO ARIA	AIR INLET PIPE				
416	0CK119	543402K00	GUARNIZIONE CANDELINA ACC.NE CELLA	CAVITY IGNITION ROD GASKET	X	X		
417	0CK006	805409304	ASSIEME VALVOLA ARIA	AIR INLET VALVE	X	X		Order KIT 0CBAKO
417a	0CK642	543402R01	GUARNIZIONE VALVOLA ARIA	AIR INLET VALVE GASKET				
418	0CK124	543402H01	GUARNIZIONE SOFFIANTE BOILER	BOILER BLOWER GASKET	X	X		d,e,f,g
418	0CK571	543403L00	GUARNIZIONE SOFFIANTE BOILER	BOILER BLOWER GASKET	X	X		l,m,n,o
419	0CK186	83040DJ02	TUBO FLESSIBILE L= 620 mm	HOSE L= 620 mm		X		a,b,c,d,e,f,g,h
419	0CK572	83040KG01	TUBO FLESSIBILE L= 340 mm	HOSE L= 340 mm		X		ij,k,l,m,n,o,p,q
420	0CK072	569400Q00	KIT TENUTA ALBERO MOTORE	MOTOR SHAFT SEALING KIT		X		
421	0CB248	543831901	GUARNIZIONE	GASKET		X		
422	0CK109	501400P00	FLANGIA CAMINO 20 1/1	CHIMNEY FLANGE 20 1/1				a,b,c,d,e,f,g,h
422	0CK110	501400Q01	FLANGIA CAMINO 20 2/1	CHIMNEY FLANGE 20 2/1				ij,k,l,m,n,o,p,q
423	0C1057	835859601	VALVOLA GAS 50 Hz	GAS VALVE 50 Hz	X			For 50 Hz Order KIT 0CBAN9
423	0C1879	835867200	VALVOLA GAS 60 Hz	GAS VALVE 60 Hz	X			For 60 Hz Order KIT 0CBAKU

SKYLINE							
Pos	Spare part Code	Factory code	Descrizione	Description	V	W & T	S Ref./Notes
424	052671	515801715	TENUTA BICONICA	BICONICAL SEALING		X	
425	0C1058	516847000	DADO 3/4"	NUT 3/4"		X	
426	0CK573	80540DC02	RIBALTA GAS CON BOILER 20/1	MANIFOLD WITH BOILER 20/1			d,e,f,g Up to 2021/16
426	0CK714	80540DC03	RIBALTA GAS CON BOILER 20/1	MANIFOLD WITH BOILER 20/1			d,e,f,g From 2021/17
426	0CK574	83040KF01	RIBALTA GAS CON BOILER 20/2	MANIFOLD WITH BOILER 20/2			l,m,n,o Up to 2021/16
426	0CK720	83040KF02	RIBALTA GAS CON BOILER 20/2	MANIFOLD WITH BOILER 20/2			l,m,n,o From 2021/17
426	0CK575	80540DN01	RIBALTA GAS CON BOILER 20/1	MANIFOLD WITH BOILER 20/1			d,e,f,g - USA Up to 2021/16
426	0CK715	80540DN02	RIBALTA GAS CON BOILER 20/1	MANIFOLD WITH BOILER 20/1			d,e,f,g - USA From 2021/17
426	0CK576	83040KL01	RIBALTA GAS CON BOILER 20/2	MANIFOLD WITH BOILER 20/2			l,m,n,o - USA Up to 2021/16
426	0CK722	83040KL02	RIBALTA GAS CON BOILER 20/2	MANIFOLD WITH BOILER 20/2			l,m,n,o - USA From 2021/17
426	0CK577	80540DP01	RIBALTA GAS SENZA BOILER 20/1	MANIFOLD WITHOUT BOILER 20/1			a,b,c,h Up to 2021/16
426	0CK716	80540DP02	RIBALTA GAS SENZA BOILER 20/1	MANIFOLD WITHOUT BOILER 20/1			a,b,c,h From 2021/17
426	0CK578	83040KK01	RIBALTA GAS SENZA BOILER 20/2	MANIFOLD WITHOUT BOILER 20/2			i,j,k,p,q Up to 2021/16
426	0CK721	83040KK02	RIBALTA GAS SENZA BOILER 20/2	MANIFOLD WITHOUT BOILER 20/2			i,j,k,p,q From 2021/17
426	0CK579	80540DQ01	RIBALTA GAS SENZA BOILER 20/1	MANIFOLD WITHOUT BOILER 20/1			a,b,c,h - USA Up to 2021/16
426	0CK717	80540DQ02	RIBALTA GAS SENZA BOILER 20/1	MANIFOLD WITHOUT BOILER 20/1			a,b,c,h - USA From 2021/17
426	0CK580	83040KM02	RIBALTA GAS SENZA BOILER 20/2	MANIFOLD WITHOUT BOILER 20/2			i,j,k,p,q - USA Up to 2021/16
426	0CK723	83040KM03	RIBALTA GAS SENZA BOILER 20/2	MANIFOLD WITHOUT BOILER 20/2			i,j,k,p,q - USA From 2021/17
427	006451	147018082	NASTRO ADESIVO ALLUMINATO	ALLUMINIUM ADHESIVE TAPE		X	
428	0CK286	835403Z02	BRUCIATORE CELLA 20 1/1	CAVITY BURNER 20 1/1	X		a,b,c,d,e,f,g,h Order KIT OCBAKR
428	0CK287	835404001	BRUCIATORE CELLA 20 2/1	CAVITY BURNER 20 2/1	X		i,j,k,l,m,n,o,p,q Order KIT OCBAKT
429	0CK198	682400C00	VENTILATORE BOILER 50 Hz	BOILER BLOWER 50 Hz	X		d,e,f,g
429	0CK258	682400J00	VENTILATORE BOILER 50/60 Hz	BOILER BLOWER 50/60 Hz	X		l,m,n,o
430	0CK581	83040KW01	TUBO FLESSIBILE SUPERIORE 20 1/1	UPPER HOSE 20 1/1 L = 300 mm		X	a,b,c,d,e,f,g,h
430	0CK582	83040KH01	TUBO FLESSIBILE SUPERIORE 20 2/1	UPPER HOSE 20 2/1 L = 220 mm		X	i,j,k,l,m,n,o,p,q
431	0CK583	83040KX01	TUBO FLESSIBILE INFERIORE 20 1/1	LOWER HOSE 20 1/1 L = 470 mm		X	a,b,c,d,e,f,g,h
431	0CK584	83040KJ01	TUBO FLESSIBILE INFERIORE 20 2/1	LOWER HOSE 20 2/1 L = 450 mm		X	i,j,k,l,m,n,o,p,q
432	0CK115	543402J01	GUARNIZIONE BRUCIATORE 20 1/1	BURNER GASKET 20 1/1	X	X	a,b,c,d,e,f,g,h
432	0CK116	543402L02	GUARNIZIONE BRUCIATORE 20 2/1	BURNER GASKET 20 2/1	X	X	i,j,k,l,m,n,o,p,q
433	0CK273	83040CD04	CAND. ACC.NE CELLA 20 1/1	CAVITY IGNITION ROD 20 1/1	X	X	a,b,c,d,e,f,g,h Order KIT OCBAN2
433	0CK279	83040GM01	CAND. ACC.NE CELLA 20 2/1	CAVITY IGNITION ROD 20 2/1	X	X	i,j,k,l,m,n,o,p,q Order KIT OCBAN3
434	0CK150	611400C02	MOTORE FIR 750W	FIR MOTOR 750W	X		i,j,k,l,m,n,o,p,q Order KIT OCBAMZ

SKYLINE							
Pos	Spare part Code	Factory code	Descrizione	Description	V	W & T	S Ref./Notes
434	0CK422	611400B03	MOTORE FIR 450W	FIR MOTOR 450W	X		a;b;c;d;e;f;g;h Order KIT 0CBAN0
435	0CK871	541403900	TEGOLO PARAGOCCE	DRIP PROTECTION			
436	0CK200	504409J00	VENTOLA GN 1/1	FAN GN 1/1			a;b;c;d;e;f;g;h
436	0CK201	504409K00	VENTOLA GN 2/1	FAN GN 2/1			i;j;k;l;m;n;o;p;q
437	0CBAWR	0646400L00	KLIXON	BOILER SAFETY THERMOSTAT			From 2022/41
437a	0CBAWQ	0638407C00	CABLAGGIO TERMOSTATO BOILER	BOILER SAFETY THERMOSTAT WIRING			From 2022/41
438	0CK122	569400X00	GUARNIZ. SCAMBIATORE 20 1/1	HEAT EXCHANG. GASKET 20 1/1	X		a;b;c;d;e;f;g;h
438	0CK123	569400Y00	GUARNIZ. SCAMBIATORE 20 2/1	HEAT EXCHANG. GASKET 20 2/1	X		i;j;k;l;m;n;o;p;q
439	0CK111	501400M00	FLANGIA SCAMBIATORE 20 1/1	HEAT EXCHANG. FLANGE 20 1/1	X		a;b;c;d;e;f;g;h
439	0CK112	501400N00	FLANGIA SCAMBIATORE 20 2/1	HEAT EXCHANG. FLANGE 20 2/1	X		i;j;k;l;m;n;o;p;q
440	0CK117	569400Z00	GUARNIZIONE 20 1/1	GASKET 20 1/1		X	a;b;c;d;e;f;g;h
440	0CK118	569401000	GUARNIZIONE 20 2/1	GASKET 20 2/1		X	i;j;k;l;m;n;o;p;q
441	0CK147	514406Q00	MOLLA	SPRING		X	
443	0CK309	217016205	VITE TENUTA VENTOLA	FAN SCREW		X	
444	0C4260	624810801	CENTRALINA CONTROLLO FIAMMA	FLAME CONTROL DEVICE	X		
445	0CK310	206300900	RONDELLA	WASHER		X	
446	0CK216	514404Z02	PERNO SUPPORTO MOTORE	MOTOR PIN SUPPORT			
447	0CK163	83040DF02	SCAMBIATORE SUPERIORE 20 1/1	UPPER HEAT EXCHANGER 20 1/1	X		a;b;c;d;e;f;g;h Order KIT 0CBAKV
447	0CK491	83040JV01	SCAMBIATORE SUPERIORE 20 2/1	UPPER HEAT EXCHANGER 20 2/1	X		i;j;k;l;m;n;o;p;q Order KIT 0CBAL0
448	0CK276	83040DZ01	SCAMBIATORE INFERIORE 20 1/1	LOWER HEAT EXCHANGER 20 1/1	X		a;b;c;d;e;f;g;h Order KIT 0CBAKZ
448	0CK555	83040LA00	SCAMBIATORE INFERIORE 20 2/1	LOWER HEAT EXCHANGER 20 2/1	X		i;j;k;l;m;n;o;p;q Order KIT 0CBAL1
449	0CK626	9F92273800	KIT SCARICO ACCIAIO	STEEL PIPES			
450	0CK623	9F92273900	KIT SCARICO PLASTICA	PLASTIC PIPES			

SKYLINE							
Pos	Spare part Code	Factory code	Descrizione	Description	V	W & T	S Ref./Notes
451	0CK403	624400P01	TRASFORMATORE TOROIDALE 550VA	TRANSFORMER 550 VA			a;b;c;d;e;f;g;h;i;j k;m;n;o;p;q;- AUS,;120;V
501	0CA768	509804003	BACINELLA RACCOLTA	TRAY COLLECTOR			a;b;c;d;e;f;g;h up to 2023/29
501	0CK605	509804100	BACINELLA	TRAY			a;b;c;d;e;f;g;h BAKERY up to 2023/29
501		050440GY00	BACINELLA RACCOLTA GN 1/1	TRAY COLLECTOR GN 1/1			a;b;c;d;e;f;g;h from 2023/30
501		050440H400	BACINELLA RACCOLTA GN 2/1	TRAY COLLECTOR GN 2/1			i;j;l;m;n;o;p;q from 2023/30
502	006309	H21503300	ASSIEME PILETTA DI SCARICO	DRAIN ASSEMBLY			Up to 2023/29
502		0541403300	ASSIEME PILETTA DI SCARICO	DRAIN ASSEMBLY			From 2023/30
503	0C1631	835865000	RUOTA CON FRENO	WHEEL WITH BRAKE			Up to 2023/29
503	0S3031	0547400C00	RUOTA CON FRENO	WHEEL WITH BRAKE			From 2023/30
504	0C1632	835865101	RUOTA SENZA FRENO	WHEEL WITHOUT BRAKE			a;b;c;d;e;f;g;h up to 2023/29
504	0C9873	0835401S00	RUOTA SENZA FRENO	WHEEL WITHOUT BRAKE			i;j;k;l;m;n;o;p;q up to 2023/29
504	0S3032	0547400D00	RUOTA SENZA FRENO	WHEEL WITHOUT BRAKE			From 2023/30
505	0CA362	0546814400	TAPPO PER TUBO 60x40	CUP 60x40			
506	007108	517868203	MANIGLIA	HANDLE			Up to 2023/29
506		051540AR00	MANIGLIA GN 1/1	HANDLE GN 1/1			a;b;c;d;e;f;g;h from 2023/30
506		051540BC00	MANIGLIA GN 2/1	HANDLE GN 2/1			i;j;l;m;n;o;p;q from 2023/30
507	0CK543	50340AL00	ADATTATORE SINISTRO 20 1/1	LEFT ADAPTOR 20 1/1			Up to 2023/29
508	0CK544	50340AK00	ADATTATORE DESTRO 20 1/1	RIGHT ADAPTOR 20 1/1			Up to 2023/29
509	0C9889	516859102	FERMO TEGLIE POSTERIORE	BACK TRAY STOPPER			Up to 2023/29
510		0506408J00	FERMO PER PATTINO	PAD STOPPER			From 2023/30
511	0TTM57	0217063165	VITE TTL INTAGLIO M5X16 AISI 304	SCREW TTL M5X16 AISI 304			From 2023/30
512	0C1280	0518803800	INSERTO FILETTATO RF 48 M5	THREADED INSERT M5			From 2023/30
513		0541403K00	TAPPO CHIUSURA TUBO QUADRO 40X40X4	CUP 40X40X4			a;b;c;d;e;f;g;h from 2023/30
514		0850402N00	ASSIEME BASE CARRELLO GN 1/1 P63/80/84	TROLLEY BASE ASSEMBLY GN 1/1 P63/80/84			a;b;c;d;e;f;g;h from 2023/30
514		0850402U00	ASSIEME BASE CARRELLO GN 1/1 PASTICCERIA GN 1/1 400X600	TROLLEY BASE ASSEMBLY BAKERY GN 1/1 400X600			a;b;c;d;e;f;g;h from 2023/30
514		085540H200	ASSIEME BASE CARRELLO GN 1/1 P74/89	TROLLEY BASE ASSEMBLY GN 1/1 P74/89			a;b;c;d;e;f;g;h from 2023/30
514		0850402P00	ASSIEME BASE CARRELLO GN 2/1 P63/80/84	TROLLEY BASE ASSEMBLY GN 2/1 P63/80/84			i;k;l;m;o;p;q from 2023/30
514		0850402V00	ASSIEME BASE CARRELLO GN 2/1 PASTICCERIA GN 1/1 400X600	TROLLEY BASE ASSEMBLY BAKERY GN 2/1 400X600			i;j;l;m;n;o;p;q from 2023/30
514		085540H900	ASSIEME BASE CARRELLO GN 2/1 P92/116	TROLLEY BASE ASSEMBLY GN 2/1 P92/116			i;j;l;m;n;o;p;q from 2023/30
515		0835406L00	ASSIEME GUIDE TEGLIE GN 1/1 P63	TRAY GUIDE ASSEMBLY GN 1/1 P63			a;b;c;d;e;f;g;h from 2023/30
515		0835406K00	ASSIEME GUIDE TEGLIE GN 1/1 P80	TRAY GUIDE ASSEMBLY GN 1/1 P80			a;b;c;d;e;f;g;h from 2023/30
515		0835406M00	ASSIEME GUIDE TEGLIE GN 1/1 P84	TRAY GUIDE ASSEMBLY GN 1/1 P84			a;b;c;d;e;f;g;h from 2023/30
515		0835407100	ASSIEME CARRELLO PASTICCERIA GN 1/1 400X600	TRAY GUIDE ASSEMBLY BAKERY GN 1/1 400x600			a;b;c;d;e;f;g;h from 2023/30

SKYLINE

Pos	Spare part Code	Factory code	Descrizione	Description	V	W & T	S	Ref./Notes
515		0835407400	ASSIEME CARRELLO GN 1/1 54 PIATTI P 74	TRAY GUIDE ASSEMBLY GN 1/1 54 DISHES P74				a;b;c;d;e;f;g;h from 2023/30
515		0835407500	ASSIEME CARRELLO GN 1/1 45 PIATTI P89	TRAY GUIDE ASSEMBLY GN 1/1 45 DISHES P89				a;b;c;d;e;f;g;h from 2023/30
515		0835406P00	ASSIEME GUIDE TEGLIE GN 2/1 PASSO 63	TRAY GUIDE ASSEMBLY GN 2/1 P63				i;j;l;m;n;o;p;q from 2023/30
515		0835406N00	ASSIEME GUIDE TEGLIE GN 2/1 PASSO 80	TRAY GUIDE ASSEMBLY GN 2/1 P80				i;j;l;m;n;o;p;q from 2023/30
515		0835406Q00	ASSIEME GUIDE TEGLIE GN 2/1 PASSO 84	TRAY GUIDE ASSEMBLY GN 2/1 P84				i;j;l;m;n;o;p;q from 2023/30
515		0835407300	ASSIEME CARRELLO GN 2/1 PASTICCERIA 400X600	TRAY GUIDE ASSEMBLY BAKERY GN 2/1 400x600				i;j;l;m;n;o;p;q from 2023/30
515		0835407600	ASSIEME CARRELLO GN 2/1 92 PIATTI P 85	TRAY GUIDE ASSEMBLY GN 2/1 92 DISHES P85				i;j;l;m;n;o;p;q from 2023/30
515		0835407700	ASSIEME CARRELLO GN 2/1 116 PIATTI P 66	TRAY GUIDE ASSEMBLY GN 2/1 116 DISHES P66				i;j;l;m;n;o;p;q from 2023/30
516		0217413G00	VITE TCE M12X70 UNI EN ISO 21269 AISI 304	SCREW TCE M12X70 UNI EN ISO 21269 AISI 304				From 2023/30
517		0546401J00	PATTINO IN TEFLON	TEFLON PAD				From 2023/30

SKYLINE – KIT DI MANUTENZIONE – MAINTENANCE KIT

Pos	Spare Part Code KIT	Description KIT	Spare Part Code	Spare part q.ty	Spare part Description	Ref./Note	Time/Cycles (hours)	Every (months)																																																																																																																																																																					
PPM1	0CK895	20 GRIDS GN 1/1; PPM KIT	0CK497	1	DOOR GASKET 20 1/1	a; b; c; d; e; f; g; h	3200	12																																																																																																																																																																					
			0CK494	1	AIR FILTER				PPM2	0CK896	20 GRIDS GN 2/1; PPM KIT	0CK548	1	DOOR GASKET 20 2/1	i; j; k; l; m; n; o; p; q	3200	12	0CK494	1	AIR FILTER	PPM3	0CK771	SKL OV PM KIT 23	0CK494	1	AIR FILTER	a; b; c; d; e; f; g; h; i; j; k; l; m; n; o; p; q	3200 6400	12 24	0CK523	1	BUSHING	0CK119	3	IGNITION ROD GASKET	0CK569	1	IGNITION ROD GASKET	0CK115	3	BURNER GASKET 20 1/1	0CK116	3	BURNER GASKET 20 2/1	0CK497	1	DOOR GASKET 20 1/1	PPM4	0CK772	SKL OV PM KIT 24	0CK494	1	AIR FILTER	a; b; c; d; e; f; g; h; i; j; k; l; m; n; o; p; q	3200 6400	12 24	0CK523	1	BUSHING	0CK119	3	IGNITION ROD GASKET	0CK569	1	IGNITION ROD GASKET	0CK115	3	BURNER GASKET 20 1/1	0CK116	3	BURNER GASKET 20 2/1	PPM5	0CK773	SKL OV PM KIT 25	0CK494	1	AIR FILTER	a; b; c; d; e; f; g; h; i; j; k; l; m; n; o; p; q	9600	36	0CK523	1	BUSHING	0CK119	3	IGNITION ROD GASKET	0CK569	1	IGNITION ROD GASKET	0CK115	3	BURNER GASKET 20 1/1	0CK116	3	BURNER GASKET 20 2/1	0CK087	1	CYLINDER FOR TABS	0CK322	1	CUP TANK ASSEMBLY	PPM6	0CK774	SKL OV PM KIT 26	0CK494	1	AIR FILTER	a; b; c; d; e; f; g; h; i; j; k; l; m; n; o; p; q	9600	36	0CK523	1	BUSHING	0CK119	3	IGNITION ROD GASKET	0CK569	1	IGNITION ROD GASKET	0CK115	3	BURNER GASKET 20 1/1	0CK116	3	BURNER GASKET 20 2/1	0CK087	1	CYLINDER FOR TABS	0CK322	1	CUP TANK ASSEMBLY	PPM7	0CK775	SKL OV PM KIT 27	0CK494	1	AIR FILTER	a; b; c; h	12800	48	0CK523	1	BUSHING	0CK119	3	IGNITION ROD GASKET	0CK569	1	IGNITION ROD GASKET	0CK115	3	BURNER GASKET 20 1/1	0CK116	3	BURNER GASKET 20 2/1	0C4260	2	FLAME CONTROL DEVICE	0CK497	1	DOOR GASKET 20 1/1												
PPM2	0CK896	20 GRIDS GN 2/1; PPM KIT	0CK548	1	DOOR GASKET 20 2/1	i; j; k; l; m; n; o; p; q	3200	12																																																																																																																																																																					
			0CK494	1	AIR FILTER				PPM3	0CK771	SKL OV PM KIT 23	0CK494	1	AIR FILTER	a; b; c; d; e; f; g; h; i; j; k; l; m; n; o; p; q	3200 6400	12 24	0CK523	1	BUSHING				0CK119	3	IGNITION ROD GASKET				0CK569	1	IGNITION ROD GASKET	0CK115	3	BURNER GASKET 20 1/1	0CK116	3	BURNER GASKET 20 2/1	0CK497	1	DOOR GASKET 20 1/1	PPM4	0CK772	SKL OV PM KIT 24	0CK494	1	AIR FILTER				a; b; c; d; e; f; g; h; i; j; k; l; m; n; o; p; q	3200 6400	12 24				0CK523	1	BUSHING	0CK119	3	IGNITION ROD GASKET	0CK569	1	IGNITION ROD GASKET	0CK115	3	BURNER GASKET 20 1/1	0CK116	3	BURNER GASKET 20 2/1				PPM5	0CK773	SKL OV PM KIT 25				0CK494	1	AIR FILTER	a; b; c; d; e; f; g; h; i; j; k; l; m; n; o; p; q	9600	36	0CK523	1	BUSHING	0CK119	3	IGNITION ROD GASKET	0CK569	1	IGNITION ROD GASKET	0CK115	3	BURNER GASKET 20 1/1	0CK116	3	BURNER GASKET 20 2/1				0CK087	1	CYLINDER FOR TABS				0CK322	1	CUP TANK ASSEMBLY	PPM6	0CK774	SKL OV PM KIT 26	0CK494	1	AIR FILTER	a; b; c; d; e; f; g; h; i; j; k; l; m; n; o; p; q	9600	36	0CK523	1	BUSHING	0CK119	3	IGNITION ROD GASKET	0CK569	1	IGNITION ROD GASKET				0CK115	3	BURNER GASKET 20 1/1				0CK116	3	BURNER GASKET 20 2/1	0CK087	1	CYLINDER FOR TABS	0CK322	1	CUP TANK ASSEMBLY	PPM7	0CK775	SKL OV PM KIT 27	0CK494	1	AIR FILTER	a; b; c; h	12800	48	0CK523	1	BUSHING	0CK119	3	IGNITION ROD GASKET	0CK569	1	IGNITION ROD GASKET	0CK115	3	BURNER GASKET 20 1/1	0CK116	3	BURNER GASKET 20 2/1
PPM3	0CK771	SKL OV PM KIT 23	0CK494	1	AIR FILTER	a; b; c; d; e; f; g; h; i; j; k; l; m; n; o; p; q	3200 6400	12 24																																																																																																																																																																					
			0CK523	1	BUSHING																																																																																																																																																																								
			0CK119	3	IGNITION ROD GASKET																																																																																																																																																																								
			0CK569	1	IGNITION ROD GASKET																																																																																																																																																																								
			0CK115	3	BURNER GASKET 20 1/1																																																																																																																																																																								
			0CK116	3	BURNER GASKET 20 2/1																																																																																																																																																																								
			0CK497	1	DOOR GASKET 20 1/1																																																																																																																																																																								
PPM4	0CK772	SKL OV PM KIT 24	0CK494	1	AIR FILTER	a; b; c; d; e; f; g; h; i; j; k; l; m; n; o; p; q	3200 6400	12 24																																																																																																																																																																					
			0CK523	1	BUSHING																																																																																																																																																																								
			0CK119	3	IGNITION ROD GASKET																																																																																																																																																																								
			0CK569	1	IGNITION ROD GASKET																																																																																																																																																																								
			0CK115	3	BURNER GASKET 20 1/1																																																																																																																																																																								
			0CK116	3	BURNER GASKET 20 2/1																																																																																																																																																																								
PPM5	0CK773	SKL OV PM KIT 25	0CK494	1	AIR FILTER	a; b; c; d; e; f; g; h; i; j; k; l; m; n; o; p; q	9600	36																																																																																																																																																																					
			0CK523	1	BUSHING																																																																																																																																																																								
			0CK119	3	IGNITION ROD GASKET																																																																																																																																																																								
			0CK569	1	IGNITION ROD GASKET																																																																																																																																																																								
			0CK115	3	BURNER GASKET 20 1/1																																																																																																																																																																								
			0CK116	3	BURNER GASKET 20 2/1																																																																																																																																																																								
			0CK087	1	CYLINDER FOR TABS																																																																																																																																																																								
			0CK322	1	CUP TANK ASSEMBLY																																																																																																																																																																								
PPM6	0CK774	SKL OV PM KIT 26	0CK494	1	AIR FILTER	a; b; c; d; e; f; g; h; i; j; k; l; m; n; o; p; q	9600	36																																																																																																																																																																					
			0CK523	1	BUSHING																																																																																																																																																																								
			0CK119	3	IGNITION ROD GASKET																																																																																																																																																																								
			0CK569	1	IGNITION ROD GASKET																																																																																																																																																																								
			0CK115	3	BURNER GASKET 20 1/1																																																																																																																																																																								
			0CK116	3	BURNER GASKET 20 2/1																																																																																																																																																																								
			0CK087	1	CYLINDER FOR TABS																																																																																																																																																																								
			0CK322	1	CUP TANK ASSEMBLY																																																																																																																																																																								
PPM7	0CK775	SKL OV PM KIT 27	0CK494	1	AIR FILTER	a; b; c; h	12800	48																																																																																																																																																																					
			0CK523	1	BUSHING																																																																																																																																																																								
			0CK119	3	IGNITION ROD GASKET																																																																																																																																																																								
			0CK569	1	IGNITION ROD GASKET																																																																																																																																																																								
			0CK115	3	BURNER GASKET 20 1/1																																																																																																																																																																								
			0CK116	3	BURNER GASKET 20 2/1																																																																																																																																																																								
			0C4260	2	FLAME CONTROL DEVICE																																																																																																																																																																								
			0CK497	1	DOOR GASKET 20 1/1																																																																																																																																																																								

SKYLINE – KIT DI MANUTENZIONE – MAINTENANCE KIT

Pos	Spare Part Code KIT	Description KIT	Spare Part Code	Spare part q.ty	Spare part Description	Ref./Note	Time/Cycles (hours)	Every (months)
PPM8	0CK776	SKL OV PM KIT 28	0CK494	1	AIR FILTER	i; j; k; p; q	12800	48
			0CK523	1	BUSHING			
			0CK119	3	IGNITION ROD GASKET			
			0CK569	1	IGNITION ROD GASKET			
			0CK115	3	BURNER GASKET 20 1/1			
			0CK116	3	BURNER GASKET 20 2/1			
			0C4260	2	FLAME CONTROL DEVICE			
PPM9	0CK777	SKL OV PM KIT 29	0CK494	1	AIR FILTER	d; e; f; ; g	12800	48
			0CK523	1	BUSHING			
			0CK119	3	IGNITION ROD GASKET			
			0CK569	1	IGNITION ROD GASKET			
			0CK115	3	BURNER GASKET 20 1/1			
			0CK116	3	BURNER GASKET 20 2/1			
			0C4260	3	FLAME CONTROL DEVICE			
PPM10	0CK778	SKL OV PM KIT 30	0CK494	1	AIR FILTER	l; m; n; o	12800	48
			0CK523	1	BUSHING			
			0CK119	3	IGNITION ROD GASKET			
			0CK569	1	IGNITION ROD GASKET			
			0CK115	3	BURNER GASKET 20 1/1			
			0CK116	3	BURNER GASKET 20 2/1			
			0C4260	3	FLAME CONTROL DEVICE			
PPM11	0CK779	SKL OV PM KIT 31	0CK494	1	AIR FILTER	a; b; c; d; e; f; g; h; i; j; k; l; m; n; o; p; q	16000	60
			0CK523	1	BUSHING			
			0CK119	3	IGNITION ROD GASKET			
			0CK569	1	IGNITION ROD GASKET			
			0CK115	3	BURNER GASKET 20 1/1			
			0CK116	3	BURNER GASKET 20 2/1			
			0CK418	1	CLEANING PUMP 220-240V 50/60HZ			
PPM12	0CK780	SKL OV PM KIT 32	0CK494	1	AIR FILTER	a; b; c; d; e; f; g; h; i; j; k; l; m; n; o; p; q	16000	60
			0CK523	1	BUSHING			
			0CK119	3	IGNITION ROD GASKET			
			0CK569	1	IGNITION ROD GASKET			
			0CK115	3	BURNER GASKET 20 1/1			
			0CK116	3	BURNER GASKET 20 2/1			
			0CK418	1	CLEANING PUMP 220-240V 50/60HZ			
0CB250	1	BOILER DRAIN VALVE						
0CK548	1	DOOR GASKET 20 2/1						



SKYLINE – KIT DI MANUTENZIONE – MAINTENANCE KIT

Pos	Spare Part Code KIT	Description KIT	Spare Part Code	Spare part q.ty	Spare part Description	Ref./Note	Time/Cycles (hours)	Every (months)
PPM13	0CK785	SKL OV PM KIT 37	0CK494	1	AIR FILTER	a; b; c; d; e; f; g; h; i; j; k; l; m; n; o; p; q USA	16000	60
			0CK523	1	BUSHING			
			0CK119	3	IGNITION ROD GASKET			
			0CK569	1	IGNITION ROD GASKET			
			0CK115	3	BURNER GASKET 20 1/1			
			0CK116	3	BURNER GASKET 20 2/1			
			0CK418	1	CLEANING PUMP 220-240V 50/60HZ			
			0CB251	1	BOILER DRAIN VALVE			
			0CK497	1	DOOR GASKET 20 1/1			
PPM14	0CK786	SKL OV PM KIT 38	0CK494	1	AIR FILTER	a; b; c; d; e; f; g; h; i; j; k; l; m; n; o; p; q USA	16000	60
			0CK523	1	BUSHING			
			0CK119	3	IGNITION ROD GASKET			
			0CK569	1	IGNITION ROD GASKET			
			0CK115	3	BURNER GASKET 20 1/1			
			0CK116	3	BURNER GASKET 20 2/1			
			0CK418	1	CLEANING PUMP 220-240V 50/60HZ			
			0CB251	1	BOILER DRAIN VALVE			
			0CK548	1	DOOR GASKET 20 2/1			

Electrolux Professional SpA  
Viale Treviso, 15  
33170 Pordenone, ITALY  
Fax (+39) 0434 380 201  
<https://www.electroluxprofessional.com>  
<https://webgate.electroluxprofessional.com>