

# SPARE PARTS CATALOGUE

## 20 GN ELECTRIC OVEN

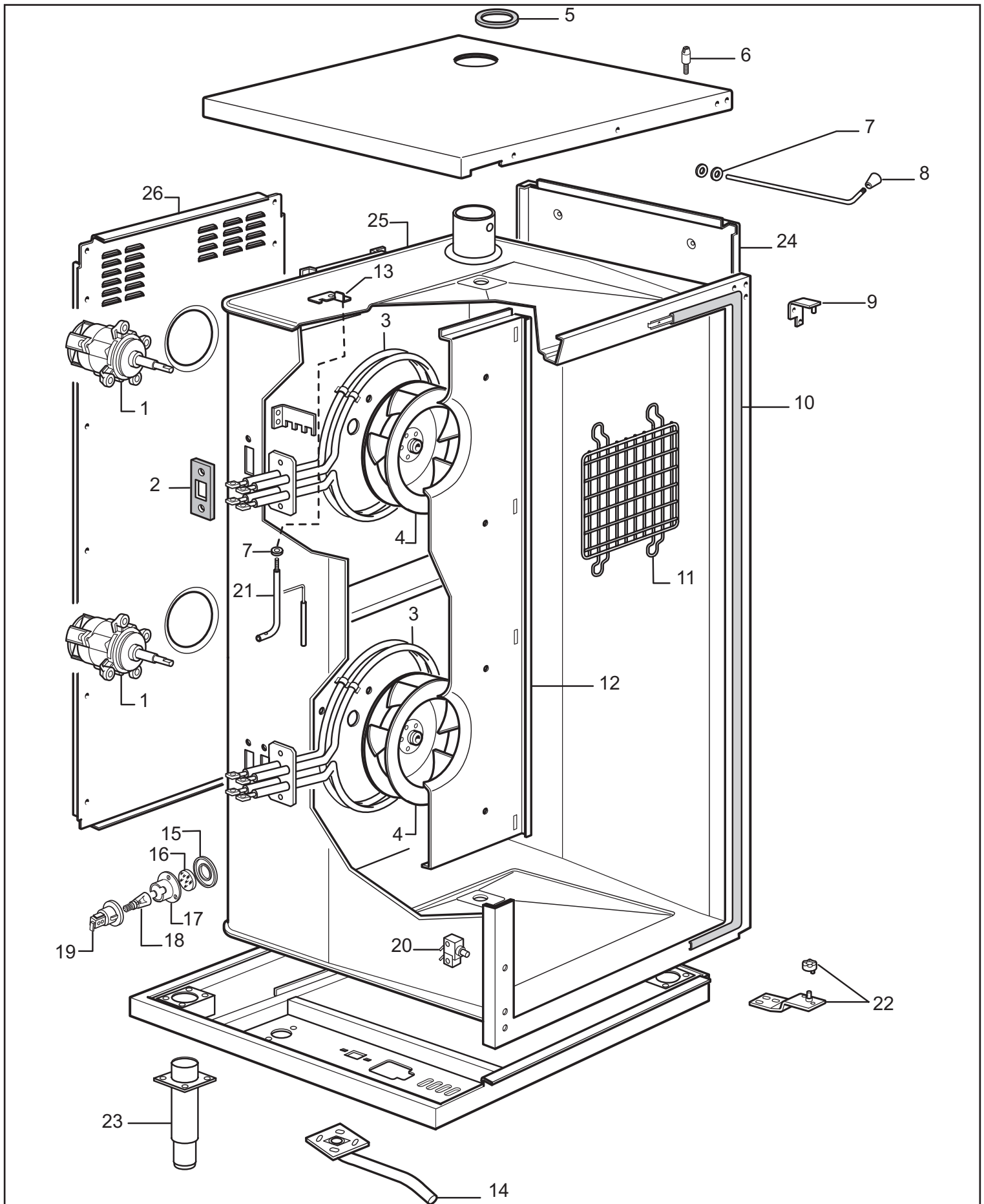
### CONVECTION CROSSWISE OVEN

PNC	MODEL	REF.	PAG.	DESCRIPTION	NOTE/BRAND
240457	ZFCE21CSDS	a	2-9	CONVECTION OVEN 20 GN 1/1 - ELECTRIC	Zanussi
240458	ZFCE22CSDS	b	2-9	CONVECTION OVEN 20 GN 2/1 - ELECTRIC	Zanussi
240487	ZFCE21CSES	c	2-9	CONVECTION OVEN 20 GN 1/1 - ELECTRIC - 60HZ	Zanussi
240488	ZFCE22CSES	d	2-9	CONVECTION OVEN 20 GN 2/1 - ELECTRIC - 60HZ	Zanussi
260698	EFCE21CSDS	e	2-9	CONVECTION OVEN 20 GN 1/1 - ELECTRIC	EPR
260699	EFCE22CSDS	f	2-9	CONVECTION OVEN 20 GN 2/1 - ELECTRIC	EPR
260867	EFCE21CSES	g	2-9	CONVECTION OVEN 20 GN 1/1 - ELECTRIC - 60HZ	EPR
260868	EFCE22CSES	h	2-9	CONVECTION OVEN 20 GN 2/1 - ELECTRIC - 60HZ	EPR
697012	TFCE21CSDS	j	2-9	CONVECTION OVEN 20 GN 1/1 - ELECTRIC	To Brand
697013	TFCE22CSDS	k	2-9	CONVECTION OVEN 20 GN 2/1 - ELECTRIC	To Brand
697033	TFCE21CSES	m	2-9	CONVECTION OVEN 20 GN 1/1 - ELECTRIC - 60HZ	To Brand
697034	TFCE22CSES	n	2-9	CONVECTION OVEN 20 GN 2/1 - ELECTRIC - 60HZ	To Brand
697041	DFCE21CSDS	o	2-9	CONVECTION OVEN 20 GN 1/1 - ELECTRIC	Diamond
697043	DFCE22CSDS	p	2-9	CONVECTION OVEN 20 GN 2/1 - ELECTRIC	Diamond

## INDEX - INDICE

## PAG.

OVEN CABINET	3
SPARE PART LISTS - OVEN CABINET	4
DOOR	5
SPARE PART LISTS - DOOR	6
ELECTRICAL COMPONENTS	7
SPARE PART LISTS - ELECTRICAL COMPONENTS	8-9



## OVEN CABINET

From Ser. Nr.  
Up to Ser. Nr.

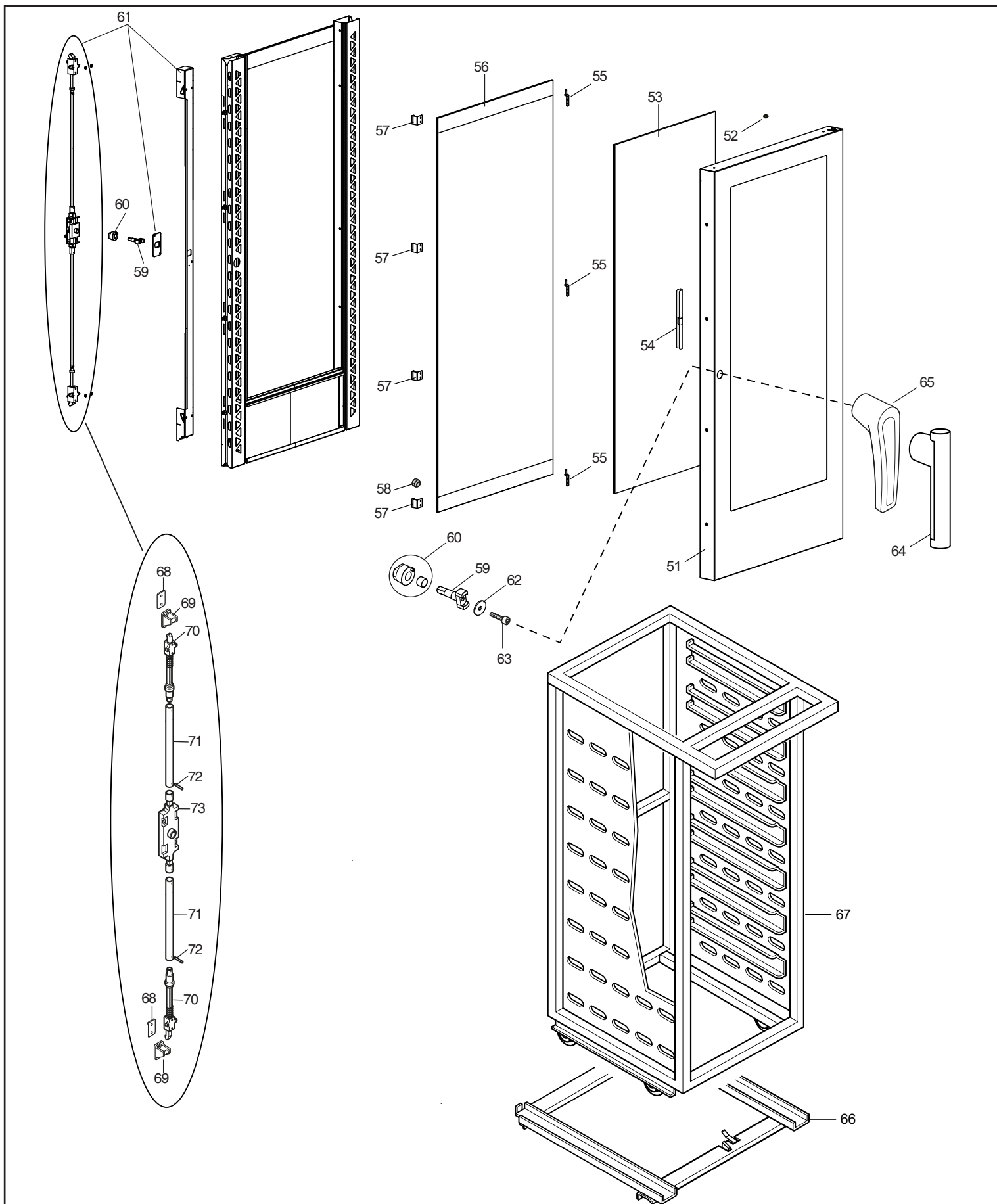
Ed. 01 2024-02  
Ed. 01 2024-02

Page: 3

@

Doc No: 595407400





## DOOR

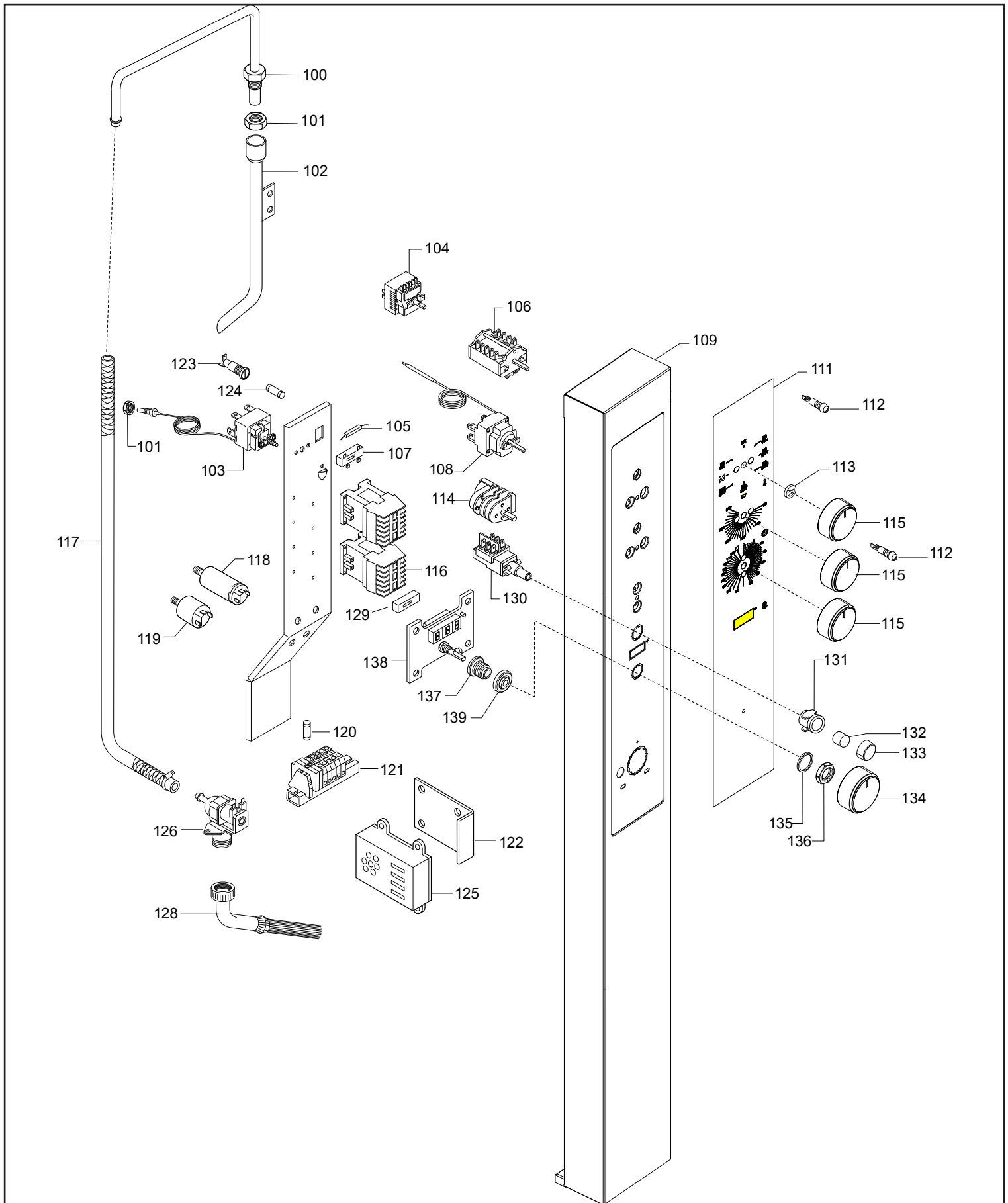
From Ser. Nr.  
Up to Ser. Nr.

Ed. 01 2024-02  
Ed. 01 2024-02

Page: 5 @

Doc No: 595407400





## ELECTRICAL COMPONENTS

POS	FACTORY CODE	S.P. CODE	DESCRIPTION	V	W&T	REF.	NOTES	S/N BREAK (YYYY/WK)
100	806869300	0C5543	Pipe, humidifier		x			
101	514875601	006245	Nut		x			
102	805899501	003750	Pipe, humidifier		x	a; c; e; g; j; m; o	GN 1/1	
102	805897903	003751	Pipe, humidifier		x	b; d; f; h; k; n; p	GN 2/1	
103	646807101	002730	Safety thermostat	x				
104	699802200	0C1605	Energy regulator	x				
105	617813201	058872	Resistor	x				
106	641400000	0C6245	Change-over switch	x				
107	639400700	0C9000	Terminal board, resistor	x				
108	646804001	056384	Thermostat	x				
109	850403100	0CBCMA	Control Panel		x			
111	0548402U00	0CBCKZ	Membrane, control panel		x	a; b; c; d	Zanussi	
111	0548402P00	0CBCKY	Membrane, control panel		x	e; f; g; h	EPR	
111	0548402V00	0CBCL0	Membrane, control panel		x	j; k; m; n	To brand	
111	0548402Y00	0CBCOH	Membrane, control panel		x	o; p	Diamond	
112	661400000	0C6080	Indicator lamp		x			
113	543801701	0C3796	Gasket, knob		x			
114	*	0C8755	Timer		x			
115	0548402C00	0CBCAI	Knob, with indicator	x		e; f; g; h	EPR	
115	0548402M00	0CBCAQ	Knob, with indicator	x		a; b; c; d; j; k; m; n; o; p	Zanussi, To brand, Diamond	
116	648807400	006879	Contacto K3 18A 230V	x		a; c; e; g; j; m; o	GN 1/1	
116	648613200	0L0355	Contacto K3 24 A00 230V	x		b; d; f; h; k; n; p	GN 2/1	
116	648809200	0C5051	Contacto K3-32A00 180	x		a; b; c; d; j; k; m; n	GN 2/1 60 Hz Zanussi, To Brand	
117	544819400	0C5829	Rubber pipe	x				
118	694800300	056148	Condenser 10 Mf	x		a; c; e; g; j; m; o	GN 1/1	
118	694800600	047744	Condenser 20 Mf	x		b; d; f; h; k; n; p	GN 2/1	
119	694605400	049303	Rfi filter		x			
120	652800701	058869	Fuse 10 A 5X20	x		a; c; e; g; j; m; o	GN 1/1	
120	652802200	005136	Fuse 16 A 5X20	x		b; d; f; h; k; n; p	GN 2/1	
121	639805401	058707	Terminal board	x				
122	0505404M01	0CA260	Bracket support, buzzer		x			
123	652800401	056582	Fuse holder	x				
124	652801800	002820	Fuse 160 Ma	x				
125	675401000	0CA485	Buzzer		x			
126	696400000	0C6081	Solenoid valve, humidifier		x			
128	0830401G00	0C8316	Inlet pipe, water		x			
129	0H58194500	0C4704	Auxiliary contact	x		b; d; f; h; k; n; p	GN 2/1	
130	641803100	003766	Switch, meat probe	x				
131	548845000	003767	Support, switch	x				
132	548844900	003768	Push button, switch	x				
133	548801500	053979	Protection, push button	x				
134	0548402N00	0CBCAR	Knob, without indicator	x				
135	508836400	002727	Washer	x				
136	214114900	051263	Lock nut	x				

## SPARE PARTS CODE - ELECTRICAL COMPONENTS

\* On demand

**Bold=last change**

From Ser. Nr. Up to Ser. Nr.	Ed. 01 2024-02 Ed. 01 2024-02	Page: 8	<b>Doc No: 595407400</b>
---------------------------------	----------------------------------	---------	--------------------------

POS	FACTORY CODE	S.P. CODE	DESCRIPTION	V	W&T	REF.	NOTES	S/N BREAK (YYYY/WK)
137	516807301	002662	Bushing, knob	x				
138	0675401D01	0CB045	Board, meat probe	x				
139	543816100	002663	Gasket, bushing	x				

\* On demand

**Bold=last change**

From Ser. Nr.  
Up to Ser. Nr.

Ed. 01 2024-02  
Ed. 01 2024-02

Page: 9

**Doc No: 595407400**

Electrolux Professional SpA  
Viale Treviso, 15  
33170 Pordenone, ITALY  
Fax (+39) 0434 380 201  
<https://www.electroluxprofessional.com>  
<https://webgate.electroluxprofessional.com>