

**HORIZONTAL COUNTERS
 TAVOLI ORIZZONTALI**

ECOSTORE HP h700

Remote left side cooling connections

Type reference	Ref	Page	Description	Brand
H7NTN2RHC	a	3 to 14	Counter 2 compartments refrigerated remote	all
H7NTN3RHC	b	3 to 14	Counter 3 compartments refrigerated remote	all
H7NTN4RHC	c	3 to 14	Counter 4 compartments refrigerated remote	all
H7NBT2RHC	d	3 to 14	Counter 2 compartments freezer remote	all
H7NBT3RHC	e	3 to 14	Counter 3 compartments freezer remote	all

Index	Page
Identification Type Ref./Identificazione type Ref.	2
Body module/corpo armadio	3
Spare part list/Lista ricambi	4
Door and drawers/ Porte e cassetti	5,6,7
Spare part list/Lista ricambi	8
Top/Ripiano	9
Spare part list/Lista ricambi	10
Control panel/Pannello di controllo	11
Spare part list/Lista ricambi	12
Part of the remote cooling unit Refrig. & Freezer/Parte del gruppo remoto Refrigerato & Freezer	13
Spare part list/Lista ricambi	14

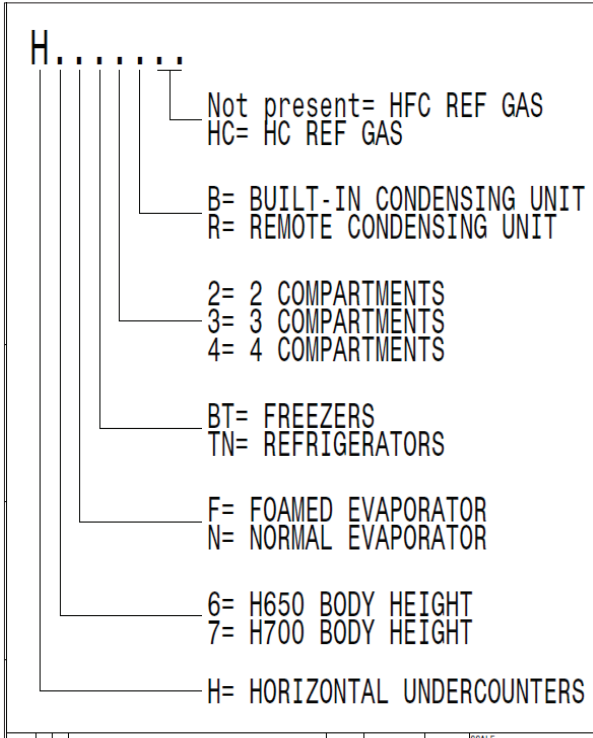
...**Bold**= last change/Grassetto =ultima modifica

Rev.

How to put in relation the “Type Ref.” reported on the data plate with the “Type reference” reported on the front page of the Spare Part Catalogue:

The “Type Ref.” represents a group of models/brands all with similar technical features, hence possible to be reported under the same scheme in terms of exploded views.

Find below an identification example: **H7NTN2BHC**



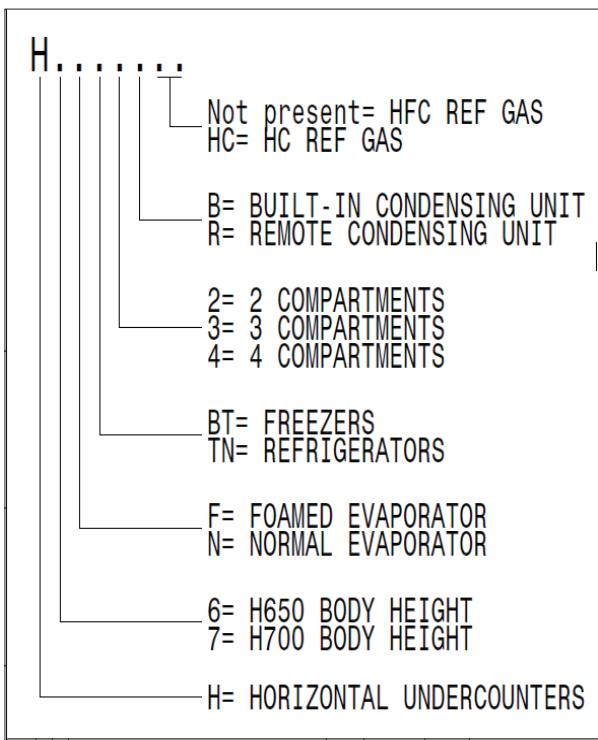
F. Mod. EH2H7AA	Comm. Mod. EH2H7AA	Type Ref. H7NTN2BHC	2017
PNC 9VTX 710000 00	Ser. No. 70810001	Cyclopentane	
W Tot. 0.25 kW	Volt 220-240 V	1 ~ 50 Hz	Total Current 1.9 A
Potenza Sbrinamento / Defrost Power	0.29 kW	Classe/Class 5	GWP 3 CO2-eq 0 t
Resistenza Evaporazione/Evaporation Heater El.	kW	Refrigerante / Refrigerant R290	0,07 kg.
Illuminazione / Lighting	W	Cap. 240	MADE IN ITALY
NF nominal Charge			
Rated Pressure	MPa		
IP21			
Electrolux Professional SpA - Viale Treviso, 15 - 33170 Pordenone (Italy)			

For the right spare code identification follow the steps:

1. type in the website the PNC reported on the data plate.
2. The website will automatically display this spare part catalogue.
3. The spare part code at this point is referenced through the “Type reference” as from the front page by the relevant “Ref”.

Come mettere in relazione il “Type Ref.” Riportato sulla targhetta caratteristica con il “Type reference” riportato sul frontespizio del catalogo ricambi:

Il “Type Ref.” Rappresenta un gruppo di modelli/marchi con simili caratteristiche tecniche, ossia possibili da rappresentare con il medesimo schema in termini di vista esplosa.

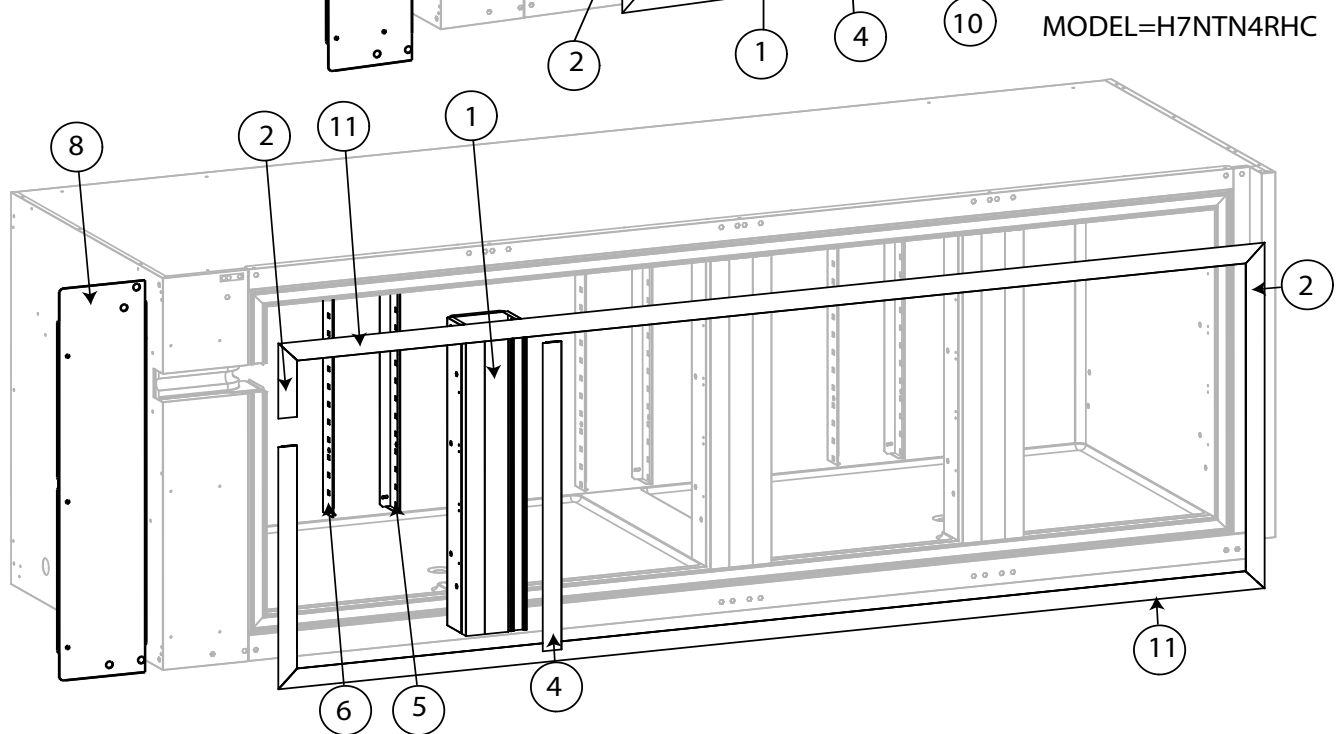
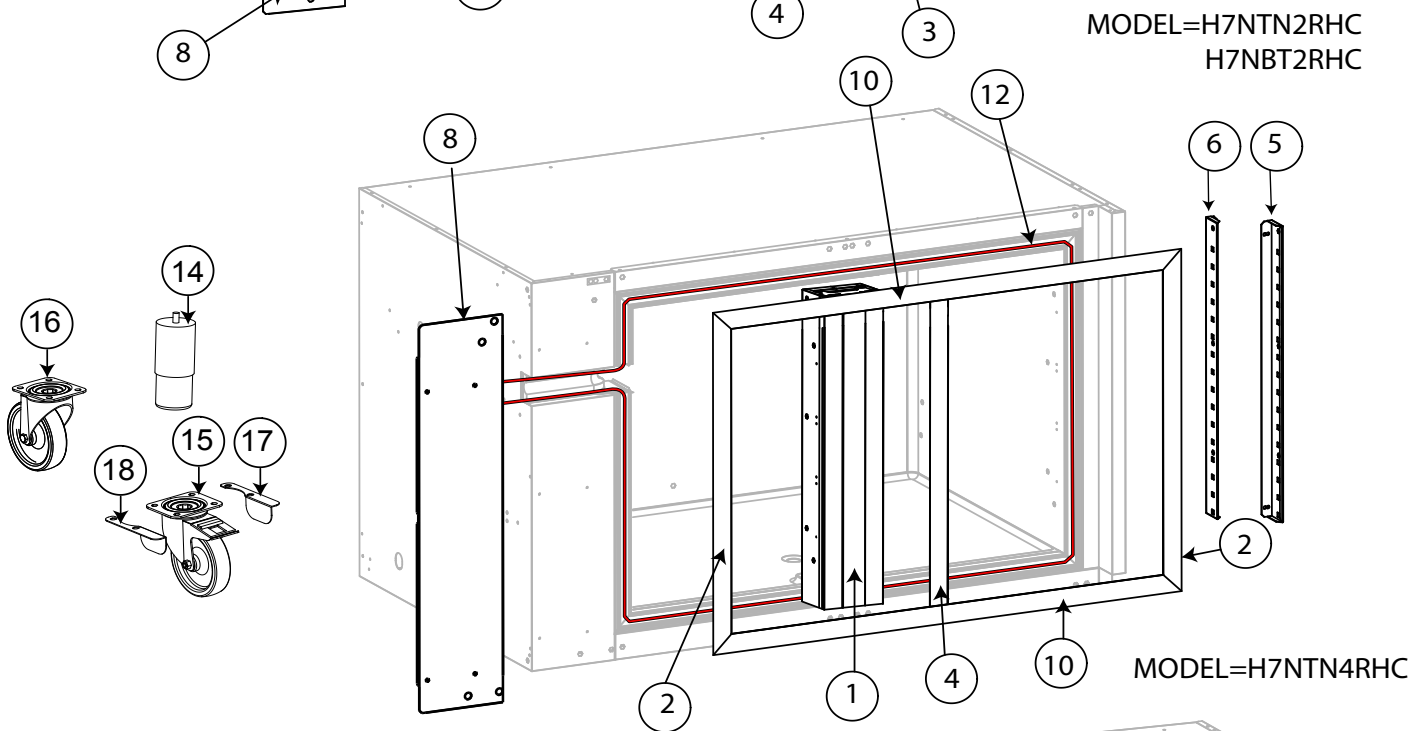
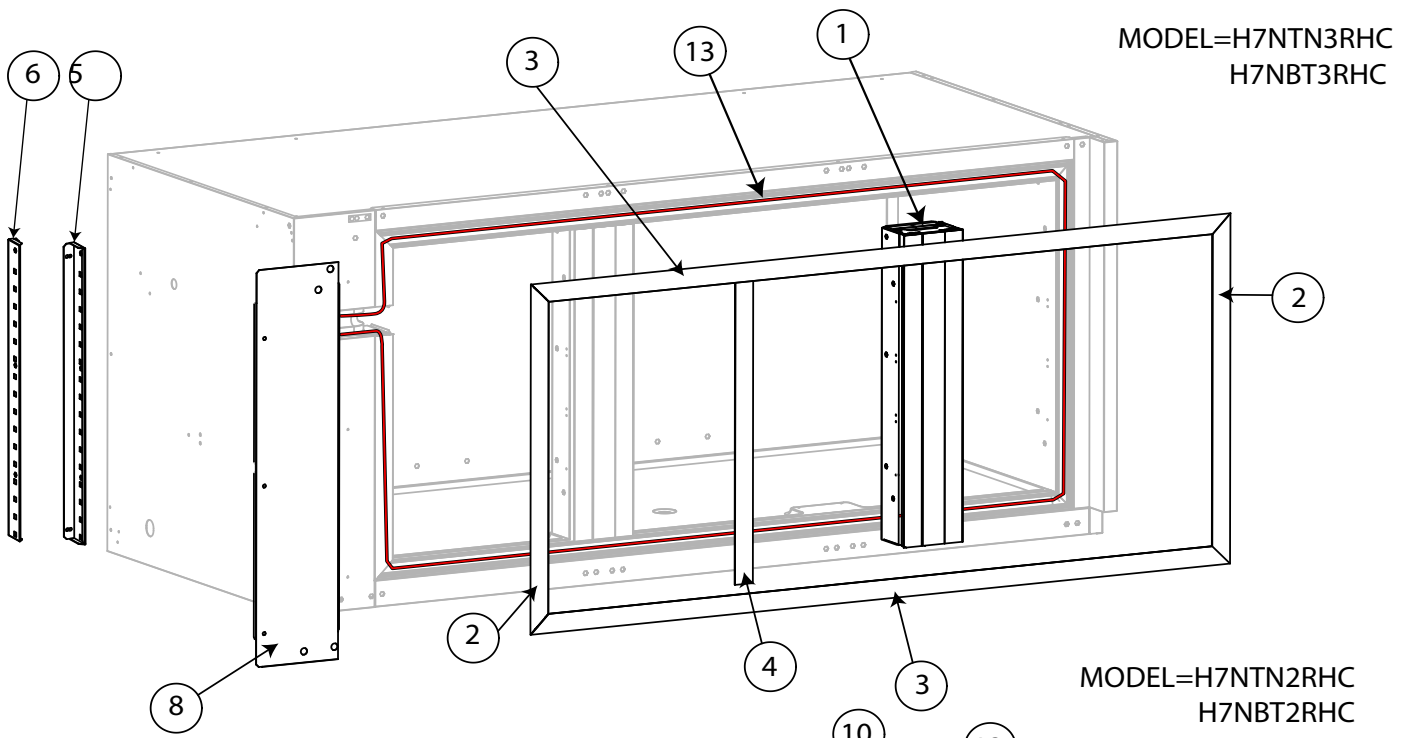


Qui di seguito un esempio di identificazione: **H7NTN2BHC**

F. Mod. EH2H7AA	Comm. Mod. EH2H7AA	Type Ref. H7NTN2BHC	2017
PNC 9VTX 710000 00	Ser. No. 70810001	Cyclopentane	
W Tot. 0.25 kW	Volt 220-240 V	1 ~ 50 Hz	Total Current 1.9 A
Potenza Sbrinamento / Defrost Power	0.29 kW	Classe/Class 5	GWP 3 CO2-eq 0 t
Resistenza Evaporazione/Evaporation Heater El.	kW	Refrigerante / Refrigerant R290	0,07 kg.
Illuminazione / Lighting	W	Cap. 240	MADE IN ITALY
NF nominal Charge			
Rated Pressure	MPa		
IP21			
Electrolux Professional SpA - Viale Treviso, 15 - 33170 Pordenone (Italy)			

Per identificare il corretto codice ricambio procedere con:

1. Digitare nel website il PNC riportato sulla targhetta caratteristica.
2. Il website mostrerà automaticamente questo catalogo ricambi.
3. A questo punto, il codice ricambio è identificabile attraverso il “Type reference” come indicato nel frontespizio sotto la relativa voce “Ref”.

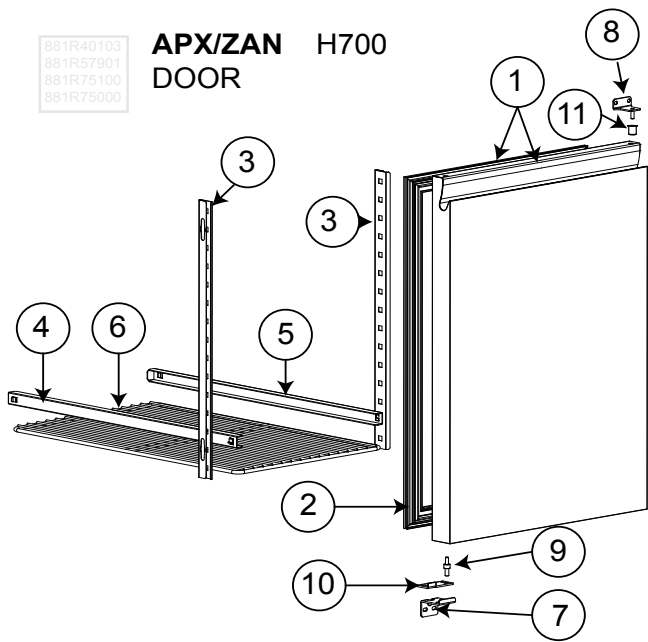


Pos	Code	Factory code	Description	Descrizione	Ref/notes
Reference pag.3					
Body Assembly			Corpo schiumato		
1	095537	835R54002	FOAMED VERTICAL PILLAR ASSEM.	MONTANTE ASSEMBLATO	a,b,c
1	095345	835R56401	FOAMED VERTICAL PILLAR ASSEM.	MONTANTE ASSEMBLATO	d,e,f
2	095236	543R16400	VERTICAL FRAME COVER	COPERCHIO CORN.VERT. TAV 2/3/4V	a,b,c
2	095346	543R19801	VERTICAL FRAME COVER	COPERCHIO CORN.VERT. TAV 2V BT	d,e,f
3	095246	543R16600	HORIZONTAL FRAME COVER <u>refriger.</u>	COPERCHIO CORN ORIZZ TAV 3V TN	b
3	095253	543R19500	HORIZONTAL FRAME COVER <u>freezer</u>	COPERCHIO CORN ORIZZ TAV 3V BT	e
4	095338	543R17701	VERTICAL FRAME FOR PILLAR	CORNICE VERTICALE MONTANTE	a,b,c
4	095347	543R19700	VERTICAL FRAME FOR PILLAR	CORNICE VERTICALE MONTANTE	d,e,f
5	095321	503R16701	REAR RIGHT SUPPORT GRIDS H700	SUPPORTO POSTERIORE DX	
6	095322	502R84503	REAR LEFT SUPPORT GRIDS H700	SUPPORTO POSTERIORE SX	
8	095358	503R40600	FRONT COVER PANEL SIDE (LEFT)	PANNELLO FRONTALE SX A304	
10	095226	543R16500	HORIZONTAL FRAME COVER	COPERCHIO CORN ORIZZ TAV 2V	a
10	095254	543R19400	HORIZONTAL FRAME COVER	COPERCHIO CORN ORIZZ TAV 2V	d
11	095255	543R16700	HORIZONTAL FRAME COVER	COPERCHIO CORN ORIZZ TAV 4V	c
12	093330	617R06701	FRAME HEATING CABLE 2V L 5450 mm	CAVO RISCALDANTE CORNICI 2V porte	d only door
12	095256	617R15600	FRAME HEATING CABLE 2V L 6700 mm	CAVO RISCALDANTE CORNICI 2V	d 1 door_2 1/2 draw.
12	095257	617R15900	FRAME HEATING CABLE 2V L 9140 mm	CAVO RISCALDANTE CORNICI 2V	d 6 1/3 draw.
12	095258	617R15700	FRAME HEATING CABLE 2V L 8320 mm	CAVO RISCALDANTE CORNICI 2V	d 2 1/2 draw._3 1/3 drawers
12	095259	617R15800	FRAME HEATING CABLE 2V L 7490 mm	CAVO RISCALDANTE CORNICI 2V	d 4 1/2 draw. 1Door_3 1/3 drawers
13	094096	617R09500	FRAME HEATING CABLE 3V L 8140 mm	CAVO RISCALDANTE CORNICI 3V	e only door
13	095260	617R16000	FRAME HEATING CABLE 3V L 8600 mm	CAVO RISCALDANTE CORNICI 3V	e 2 door_2 1/2 draw.
13	095261	617R16100	FRAME HEATING CABLE 3V L 9400 mm	CAVO RISCALDANTE CORNICI 3V	e 1 door_4 1/2 draw. 2 door_3 1/3 draw.
13	095262	617R16200	FRAME HEATING CABLE 3V L 10200 mm	CAVO RISCALDANTE CORNICI 3V	e 6 1/2 draw. 1 door_2 1/2 draw._3 1/3
13	095263	617R16300	FRAME HEATING CABLE 3V L 12700 mm	CAVO RISCALDANTE CORNICI 3V	e 9 1/3 draw.
13	095264	617R16400	FRAME HEATING CABLE 3V L 11030 mm	CAVO RISCALDANTE CORNICI 3V	e 1 door_6 1/3 draw. 4 1/2 draw._3 1/3 drawers
13	095265	617R16500	FRAME HEATING CABLE 3V L 11850 mm	CAVO RISCALDANTE CORNICI 3V	e 2 1/2 draw._6 1/3 drawers
14	096610	0518R01100	FOOT H 150 WITH CENTRAL SCREW	PIEDE VITE CENT.+ RIVEST.INOX H150	
15	087110	0835739900	WHEEL WITH BRAKE	RUOTA A PIASTRA ROT. CON FRENO	
16	087111	0835740000	WHEEL WITH-OUT BRAKE	RUOTA A PIASTRA ROT. SENZ. FRENO	
17	095324	0503R38501	RIGHT WHEEL LEVER BRAKE	FERMO RUOTA DESTRO	
18	095325	0503R38601	LEFT WHEEL LEVER BRAKE	FERMO RUOTA SINISTRO	
19					
20					
21					

* = On demand

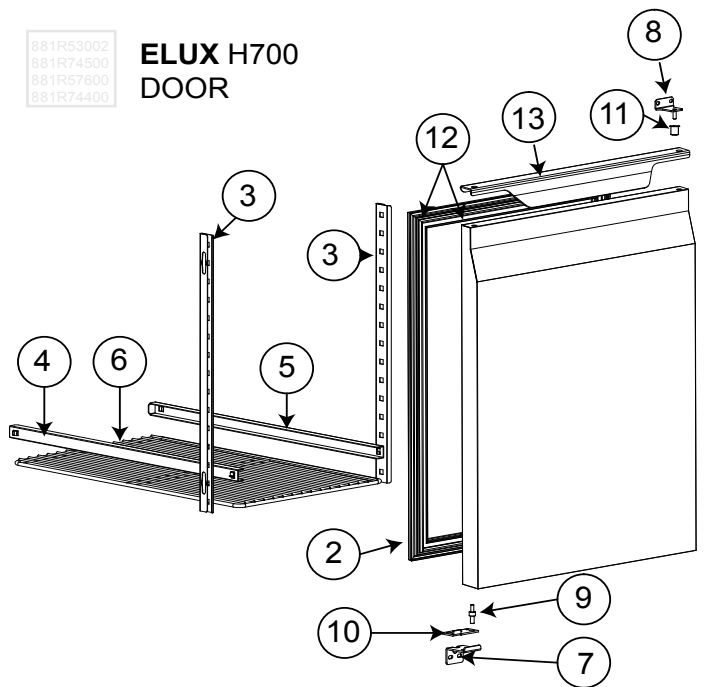
881R40103
881R57901
881R75100
881R75000

APX/ZAN H700 DOOR



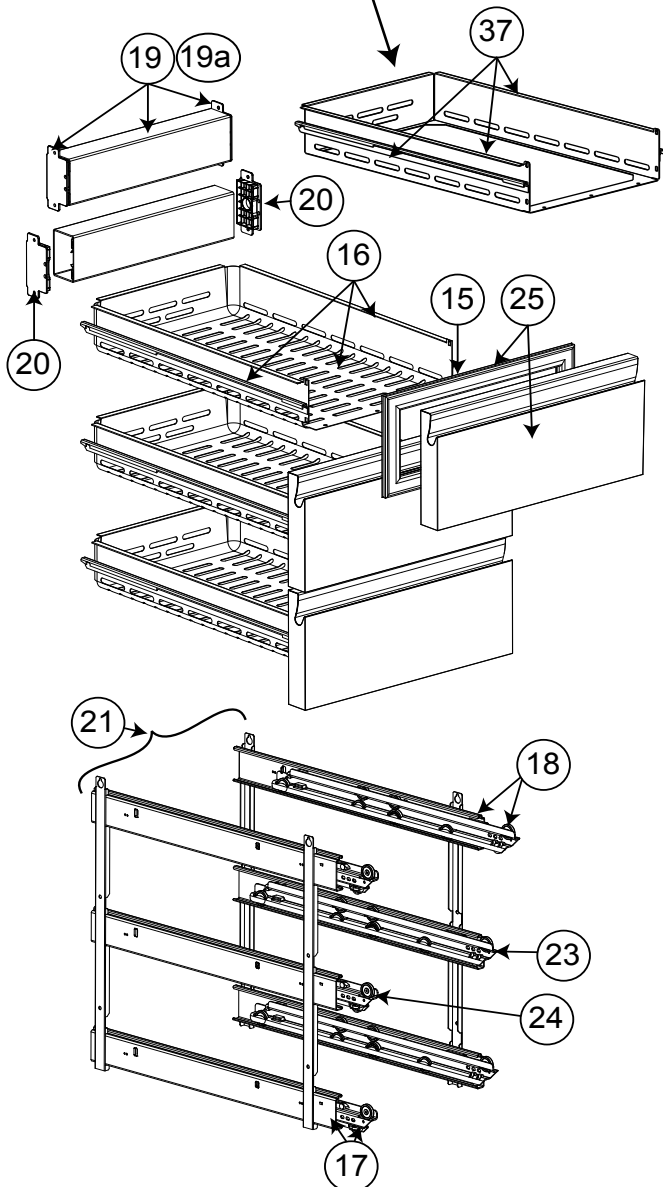
881R53002
881R74500
881R57600
881R74400

ELUX H700 DOOR



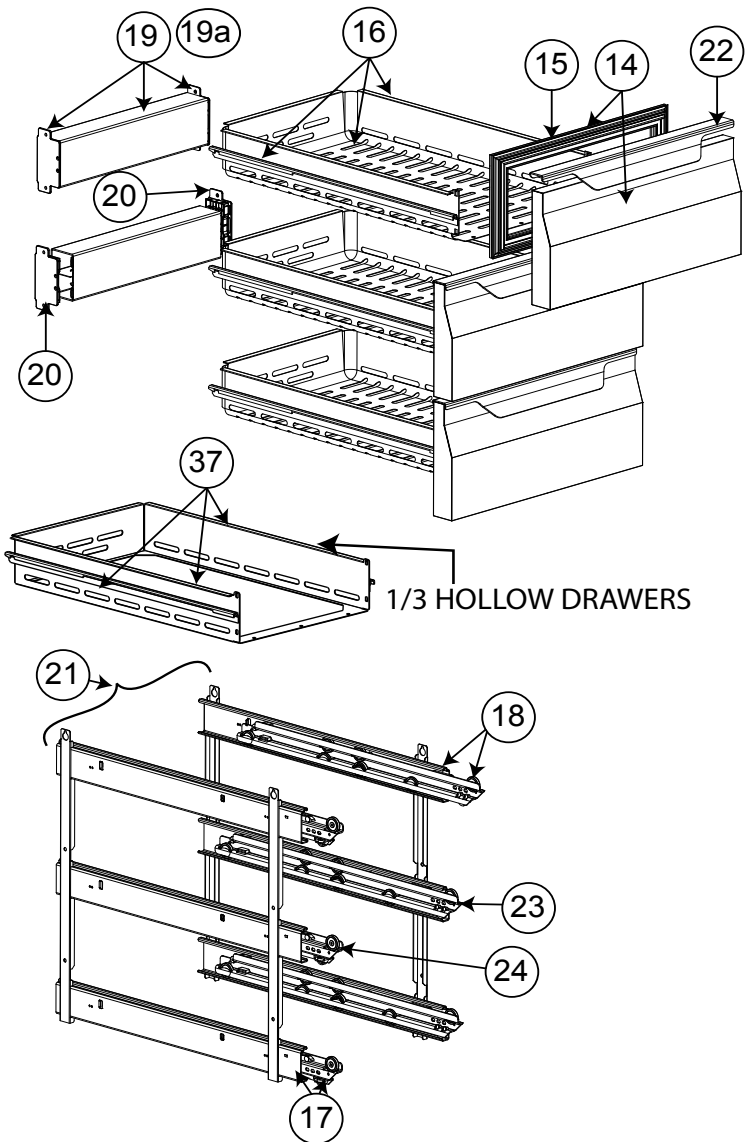
1/3 HOLLOW DRAWERS

APX/ZAN H700 DRAW 1/3

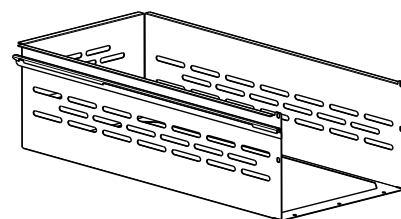
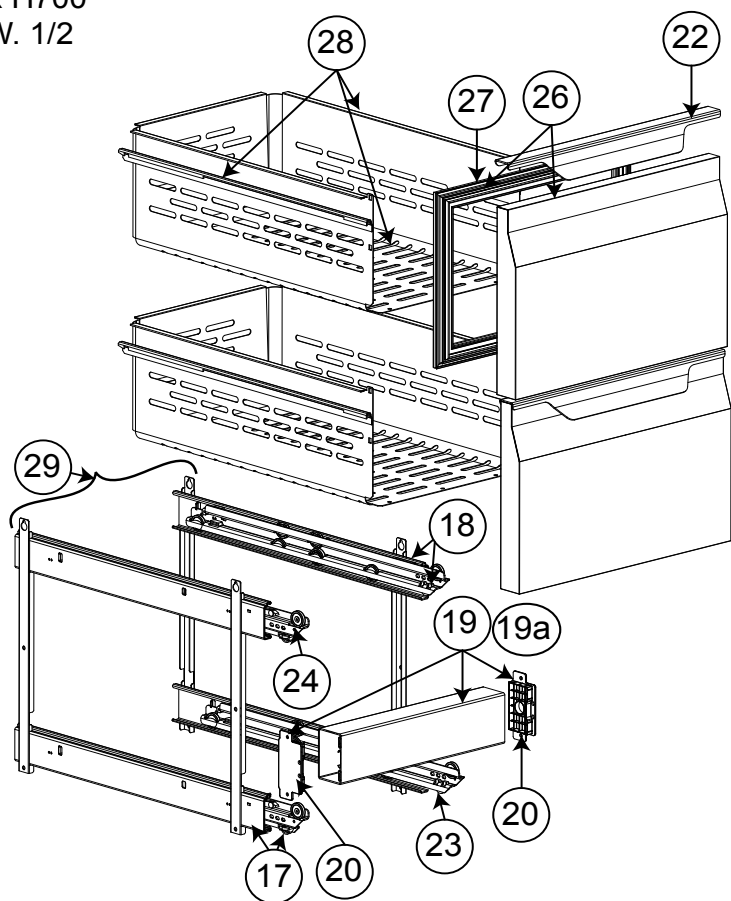


881R57001
881R77700

ELUX H700 DRAW. 1/3

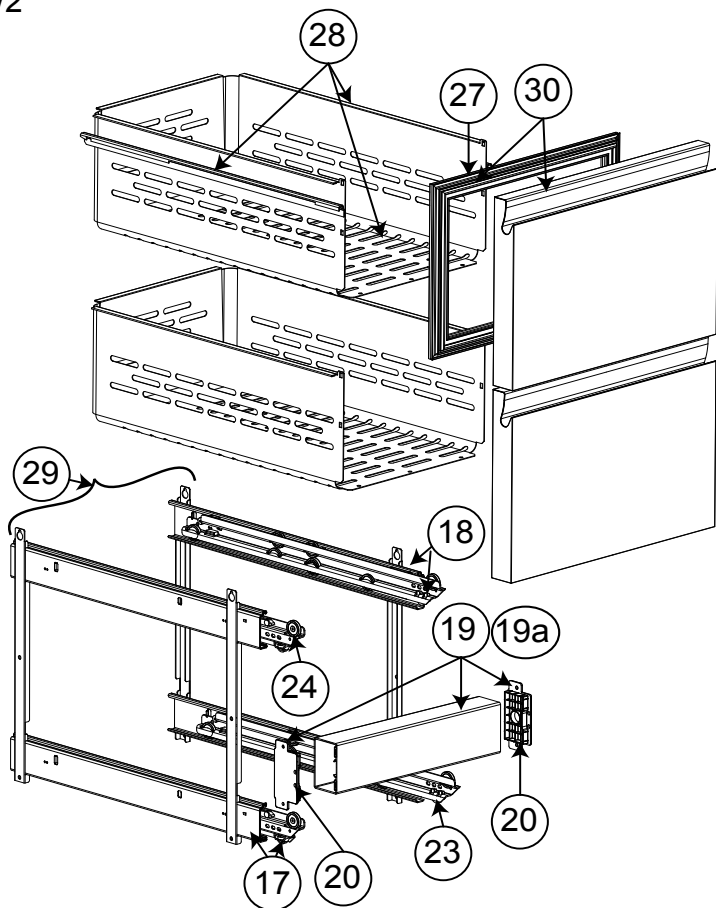


ELUX H700
DRAW. 1/2

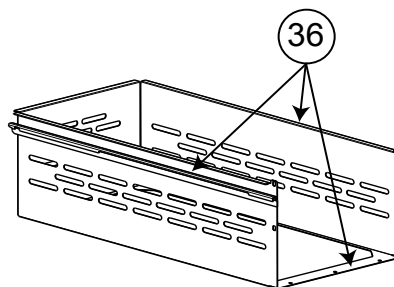


881R57501
881R77500

APX/ZAN H700
DRAW.1/2

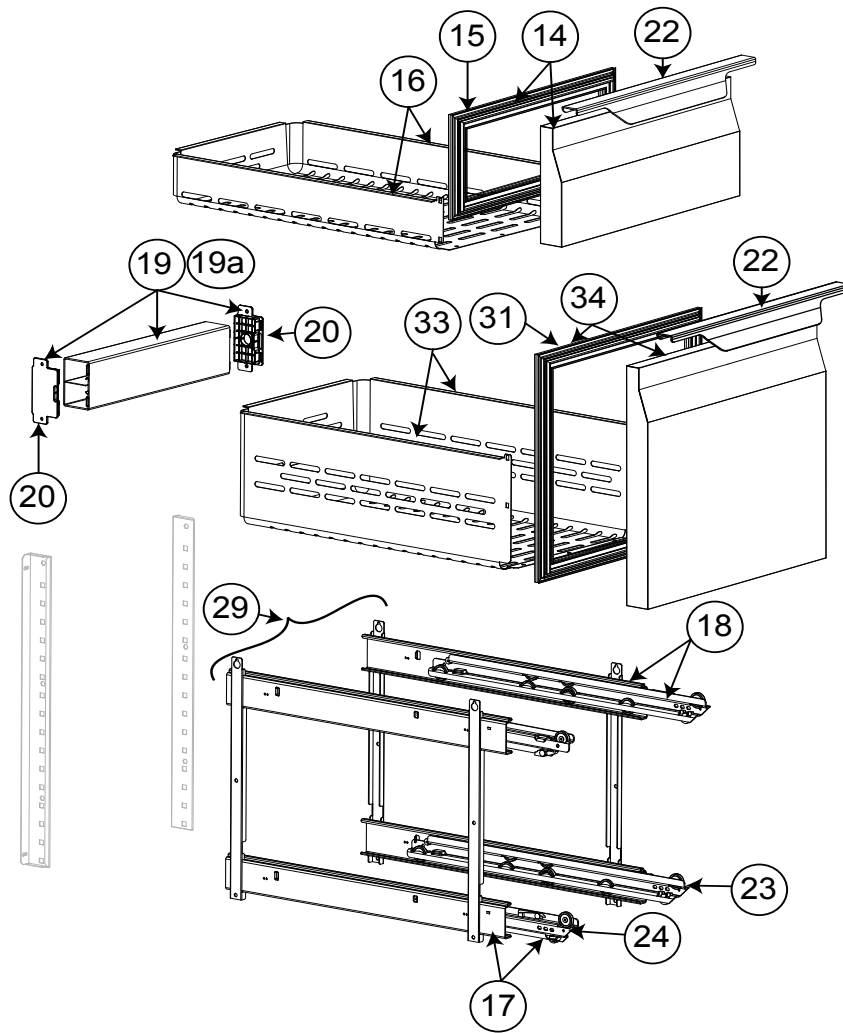


1/2 HOLLOW DRAWERS



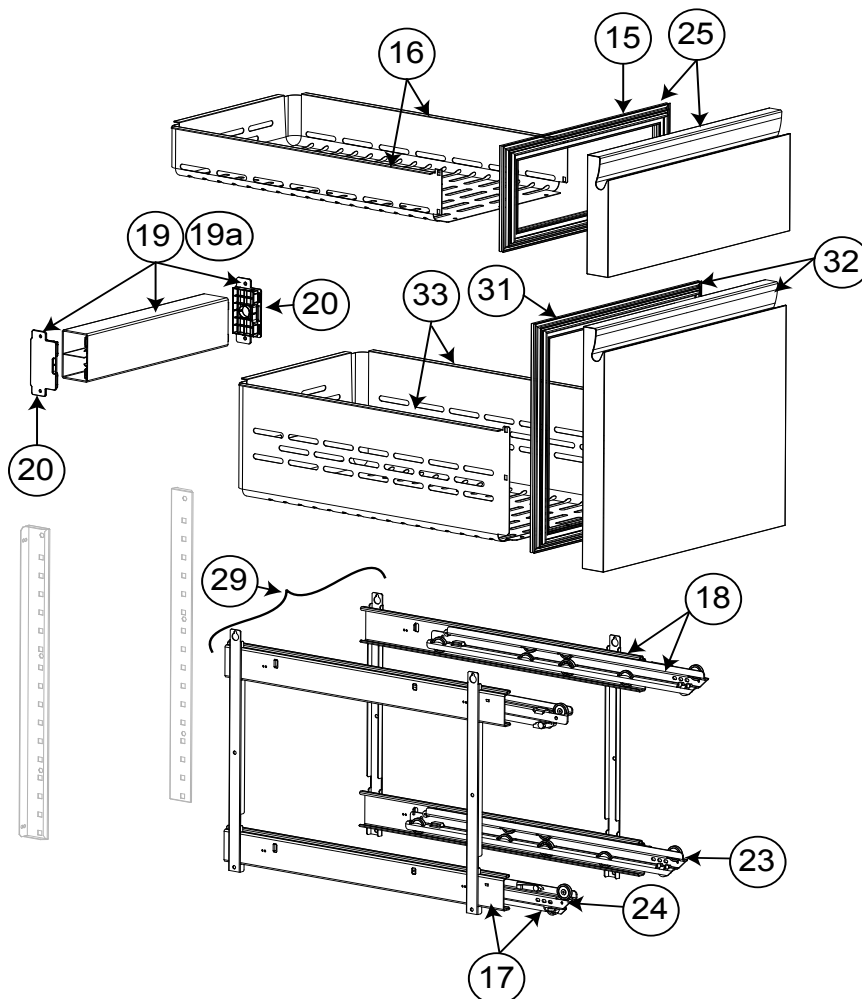
881R57801
881R77600

ELUX H700
BOTTLE DRAW.



881R70800

APX/ZAN H700
BOTTLE DRAW.

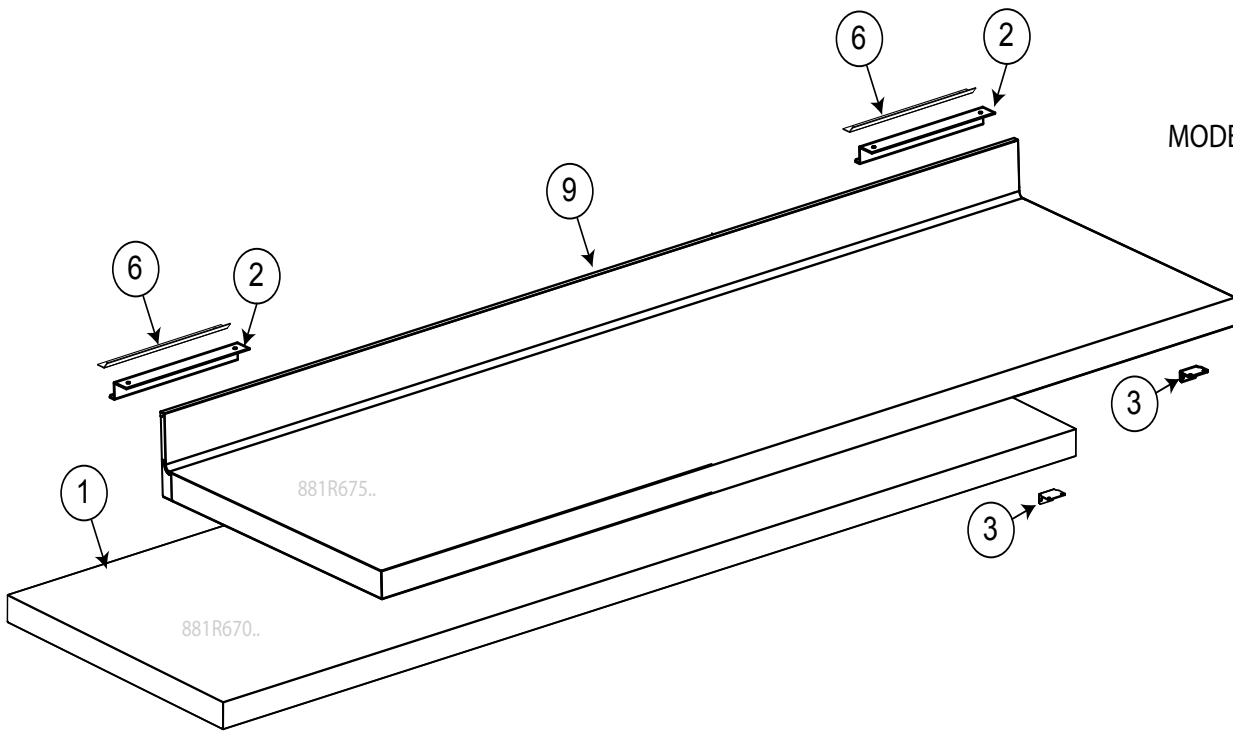


881R70700

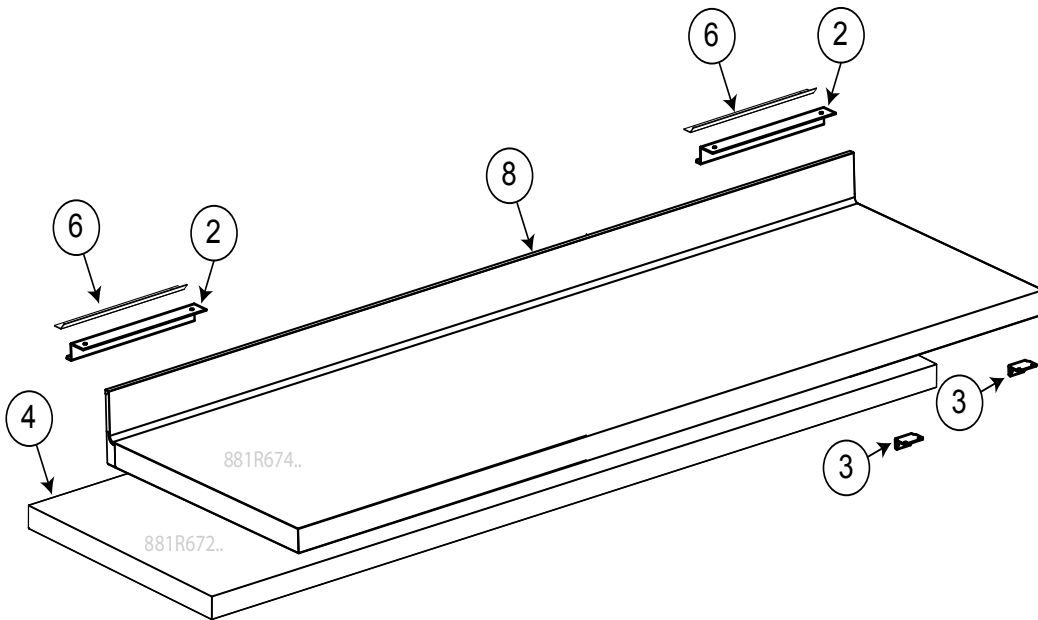
Pos	Code	Factory code	Description	Descrizione	Ref/notes
reference pag. 5-6-7					
Doors and Drawers			Porta e Cassetti		
1		835R52102	FOAMED D. ASSEMBLY H700 apx/zan	PORTA SCHIU. CON GUARNI.APX_ZAN	brand Apx_Zan
2	095238	548R11101	A886 MAGNETIC GASKET H700	GUARNIZIONE PORTA	
3	095227	503R09701	FRONT SUPPORT GRIDS H700	FRONTALE SUPPORTO GUIDE	
4	095228	502R84601	LEFT GUIDE FOR SHELF	GUIDA A "C" SX TAV NGC H700/H650	
5	095229	502R84701	RIGHT GUIDE FOR SHELF	GUIDA A "C" DX TAV NGC H700/H650	
6	095231	514R23500	SHELF	GRIGLIA RILSAN TAVOLO H650/H700	
7	095326	505R23702	LOWER HINGE H650/H700	CERNIERA INFERIORE	
8	095327	505R23803	UPPER HINGE H650/H700	CERNIERA SUPERIORE	
9	087667	514746701	PIN FOR DOOR	PERNO PER CERNIERA INFERIORE	
10	089146	800735200	DOOR OPENING END COURSE	PIASTRINA FERMO BATTUTA PORTA	
11	081807	549700000	DOOR BUSH	BOCCOLA X CERNIERA	
12		835R51903	FOAMED DOOR ASSEMBLY H700 elux	PORTA CON GUARNIZIONE ELECTR.	brand: Elux
13	095328	503R01003	DOOR HANDLE ELECTROLUX H 700	MANIGLIA PORTA ELECTROLUX	brand: Elux
14		835R53502	FOAMED DRAWERS 1/3 ELUX	ASS.CASS.1/3 SCHIUM. TAVOLO ELEC	brand: Elux (+GASKET)
15	095240	548R11801	GASKET DRAWER 1/3	GUARNIZ.CASS.1/3 TAV NGC H700	
16		833R36002	1/3 DRAW+GUIDES (WITHOUT FRONTAL)	ASS.INVOLUCRO CASSETTO+GUIDE	
17	095266	832R23200	LEFT SUPPORT DRAWERS 1/3	CARRELLO SX PER MOD.CASSETTI	
18	095267	832R23300	RIGHT SUPPORT DRAWERS 1/3	CARRELLO DX PER MOD.CASSETTI	
19	095365	875R33500	CROSSBEAM ASSEMBLY - DRAWERS	TRAVERSA CASSETTO 1/ E 1/2 TN	only refrigerated
19a	095366	835R53801	FOAM PILLAR ASS. - DRAWERS	TRAVERSA CASSETTO 1/ E 1/2 BT	only freezer
20		543R18901	PLASTIC PILLAR PLUG RIGHT/LEFT	TAPPO TRAVERSA DX E SX	only refrigerated
21		833R37202	1/3 SUPPORT +GUIDE ASSEMBLY	SUPPORTO TELAIO DX E SX CASS.1/3	
22	095348	503R08702	HANDLE DRAWERS ELUX	MANIGLIA CASS. ELECTROLUX NGC	brand: Elux
23	095267	832R23300	RIGHT SLIDING GUIDE	GUIDA SCORREVOLE DX	
24	095266	832R23200	LEFT SLIDING GUIDE	GUIDA SCORREVOLE SX	
25		835R54202	FOAMED FRONT DRAW. 1/3 APX/ZAN	ASS.CASS.1/3 SCHIUMATO	brand Apx_Zan (+GASKET)
26		835R54102	FOAMED FRONT DRAW. 1/2 ELUX	ASS.CASS.1/2 SCHIUMATO ELEC	brand: Elux (+GASKET)
27	095239	548R11701	GASKET DRAWER 1/2	GUARNIZ.CASS.1/2 TAV NGC H700	
28	093927	835R35900	1/2 DRAW+GUIDES (WITHOUT FRONTAL)	INVOLUCRO CON GUIDE	
29		833R37302	1/2-2/3 SUPPORT +GUIDE ASSEMBLY	SUPP. TELAIO DX E SX CASS.1/2-2/3	
30		835R54302	FOAMED FRONT DRAW. 1/2 APX_ZAN	ASS.CASS.1/2 SCHIUM. ZAN_APX	brand Apx_Zan (+GASKET)
31	095249	548R12500	GASKET DRAWER 2/3	GUARNIZ.CASS.2/3 TAV NGC H700	
32		835R57701	2/3 FOAM. FRONT DRAW. ASS. ALPEN	ASS.CASS.2/3 SCHIUM. ZAN_APX	brand Apx_Zan (+GASKET)
33		833R38500	2/3 DRAW+GUIDES (WITHOUT FRONTAL)	ASS. INVOLUCRO CASS.+GUIDE 2/3	
34		835R57501	2/3 FOAM.FRONT DRAW. ASS. ELUX	ASS.CASS.2/3 SCHIUM. TAVOLO ELUX	brand: Elux (+GASKET)
*	095300		INCLUDE N°23 AND N°24 (1RIGHT +1 LEFT)	INCLUDE N°23 E 24,(1+1 GUIDA DX-SX)	
36		833R39800	1/2 STOR. HOLLOW DRAW. GUIDES	ASS. INVOLUCRO CASS.+GUIDE	hollow draw 1/2
37		833R40100	1/3 STOR. HOLLOW DRAW. GUIDES	ASS. INVOLUCRO CASS.+GUIDE	hollow draw 1/3

*= On demand

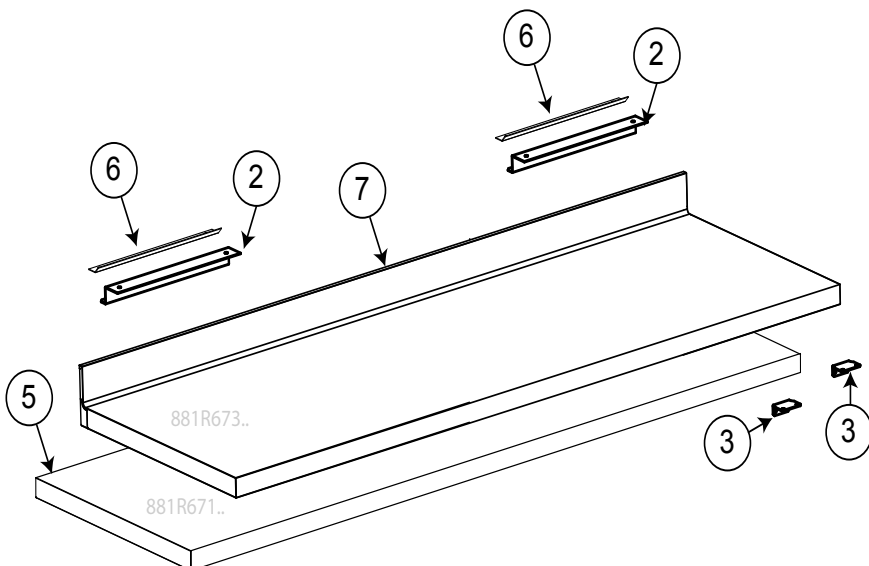
MODEL=H7NTN4RHC



MODEL=H7NTN3RHC
H7NBT3RHC

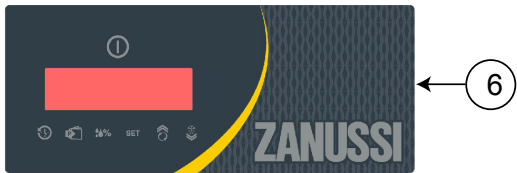
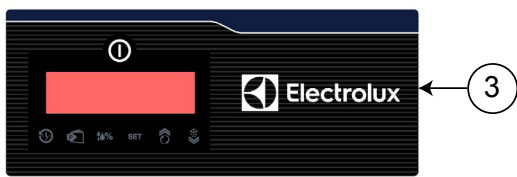
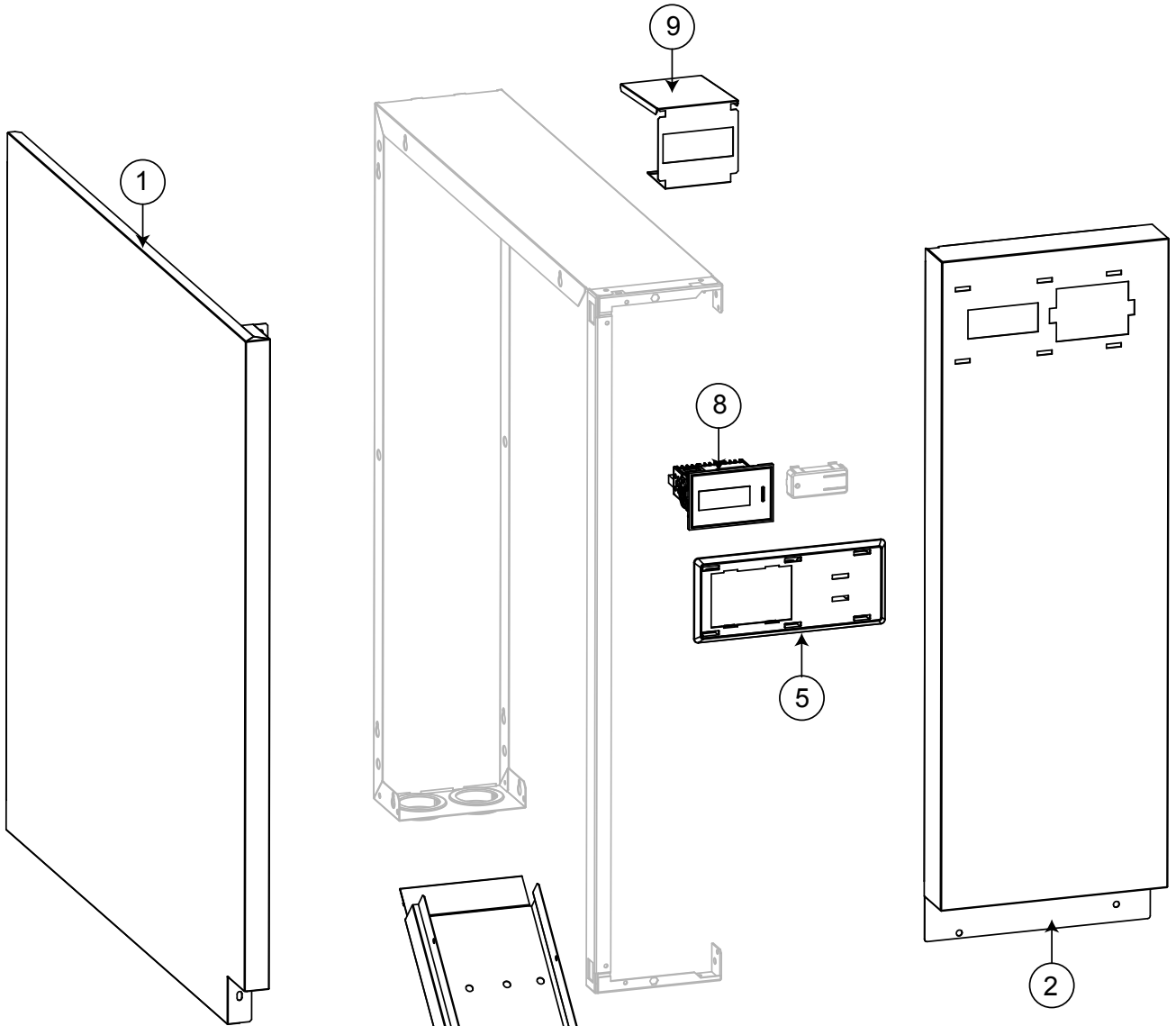


MODEL=H7NTN2RHC
H7NBT2RHC



Pos	Code	Factory code	Description	Descrizione	Ref/notes
reference pag.9					
			Worktop		Top
1		881R67000	WORKTOP MODULE 4C H50	TOP 4 VANI H 50	c (without S.back)
2		501775700	HOOK FOR TOP	GANCIO PER RIPIANO	
3	095330	505R25301	BRACKET SHELF	STAFFA PER RIPIANO	
4		881R67200	WORKTOP MODULE 3C H50	TOP 3 VANI H 50	b,e (without S.back)
5		881R67100	WORKTOP MODULE 2C H50	TOP 2 VANI H 50	a,d (without S.back)
6	093186	505751500	HOOK FOR TOP ON THE COUNTER	FISSAGGIO RIPIANO AL TAVOLO	
7		831R67300	WORKTOP ASS. WITH S.BACK 2C	TOP CON ALZATINA 2 VANI SX	a,d (with S.back)
8		831R67400	WORKTOP ASSEMBLY 3C S/BACK	TOP CON ALZATINA 3 VANI SX	b,e (with S.back)
9		831R67500	WORKTOP ASS. WITH S.BACK 4C	TOP CON ALZATINA 4 VANI SX	c (with S.back)
10					
11					
12					
13					
14					
15					
16					
17					
18					
19					
20					
21					
22					
23					
24					

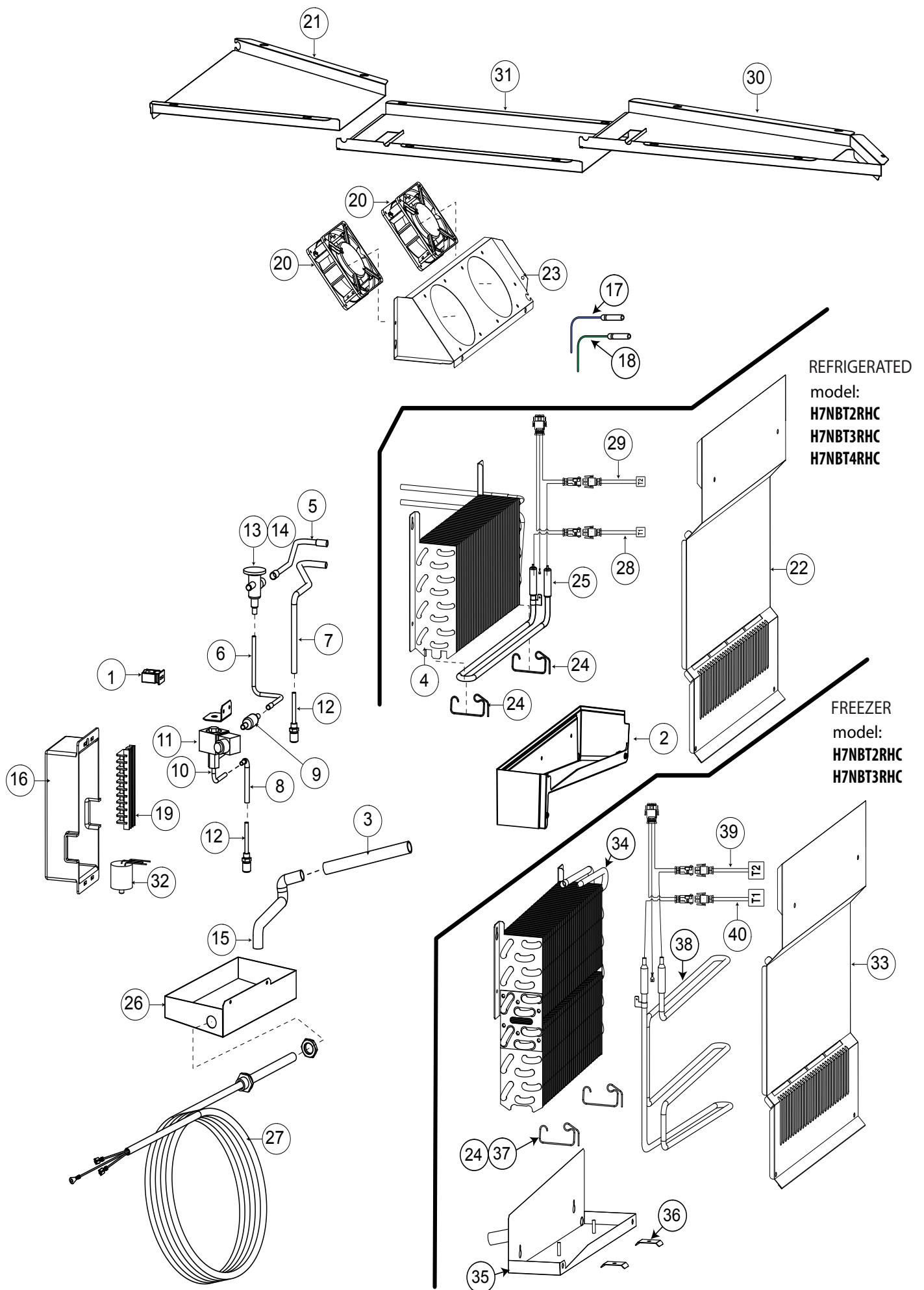
*= On demand



MODEL=H7NTN2RHC
 H7NTN3RHC
 H7NTN4RHC
 H7NBT2RHC
 H7NBT3RHC

Pos	Code	Factory code	Description	Descrizione	Ref/notes
reference pag.11					
Control panel			Pannello di controllo		
1	095247	502R85102	EXTERNAL SIDE PANEL H700	PANNELLO ESTERNO	
2		509R21100	CONTROL PANEL	PANNELLO DI CONTROLLO	
3		755R11800	STICKER CONTROL ELUX RE-	MEMBRANA CON TASTI ELUX TN	a,b,c (ELECTROLUX)
3		755R12400	STICKER CONTROL ELUX FREEZER	MEMBRANA CON TASTI ELUX BT	d,e (ELECTROLUX)
4		503R56300	TRAY SUPPORT GALVANIZE	SUPPORTO BACINELLA IN ZINCATO	
4		503R58700	TRAY SUPPORT AISI 304	SUPPORTO BACINELLA IN A304	
5		546R40900	FRAME DIGITAL CONTROL REM.	CORNICE PER CONTROLLORE	
6		755R11900	STICKER CONTROL ZAN REFRIGER.	MEMBRANA CON TASTI ZAN TN	a,b,c (ZANUSSI)
6		755R12500	STICKER CONTROL ZAN FREEZER	MEMBRANA CON TASTI ZAN BT	d,e (ZANUSSI)
7		755R12000	STICKER CONTROL APX REFRIGER.	MEMBRANA CON TASTI APX TN	a,b,c (APX)
7		755R12600	STICKER CONTROL APX FREEZER	MEMBRANA CON TASTI APX BT	d,e (APX)
8		646R10602	CONTROLLER IUEL101404 IR33	TERMOR. CAREL IUEL101404 IR33	
9		503R49700	REMOTE COVER	COPERTURA CONTROLLORE REMOTA	
10					
11					
12					
13					
14					
15					
16					
17					
18					
19					
20					
21					
22					
23					
24					

*= On demand



Pos	Code	Factory code	Description	Descrizione	Ref/notes
Pag. 13					
Cooling unit 2-3-4 comp. refrigerated /freezer			Gruppo 2-3-4 vani refrigerato e freezer		
1		639719400	STOPPER	CAVAL.CARPANETO 605/25	
2	095288	546R39801	WATER COLLECTOR BASIN refrigerated	BACINELLA	a,b,c
3		544R06400	DISCHARGE PIPE	TUBO SCARICO ACQUA BACIN. EXT	
4		830R13900	EVAPORATOR TN	EVAPORATORE REMOTE H700 TN	a,b,c
5		515R34400	PIPE FROM THERM. VALVE TO EVAP. TN	TUBO DA TERMOS. A EVAPORATORE TN	a,b,c
5		515R35000	PIPE FROM THERM. VALVE TO EVAP. BT	TUBO DA TERMOS. A EVAPORATORE BT	d,e
6		515R34500	PIPE FROM THERM. VALVE TO SOLEN.	TUBO DA TERM. A VALVOLA SOLENOIDE	
7		515R34600	EVAPORATOR FLOW BACK PIPE	TUBO DI ASPIRAZIONE	
8		515R20000	INLET PIPE SOLENOID VALVE	TUBO INGRESSO VALVOLA SOLENOIDE	
9	090229	525719000	FILTER	FILTRO MECCANICO A RETINA D6.2 D6.2	
10	087694	646735000	BODY SOLENOID VALVE	CORPO VALV. SOLENOIDE	
11	085847	646729100	COIL WITHOUT CONNECTION	BOBINA	
12	0A8171	A02021800	SCHRADEN 4.00.10/2 RECHARG.VALVE	VALVOLA DI RICARICA	
13	087333	646740901	THERMOSTATIC VALVE TN	VALVOLA TUB,RANGE N, -40/+10,OR.1 TN	a,b,c
13	087334	646741000	THERMOSTATIC VALVE BT	VALVOLA TUB,RANGE N, -40/+10,OR.3 BT	d,e
14	089614	565717600	INSULATION THERMOSTATIC VALVE	ISOLANTE X VALVOLA TERMOST.	
15		544R07300	DISCHARGE WATER PIPE	SIFONE SCARICO ACQUA SX REMOTI	
16		549727400	BOX ELECTRICAL PROTECTION	SCATOLA PROTEZIONE IMP. ELETTRICO	
17	092175	646R06900	PROBE CELL	SONDA 6X20 BLU 'CELL' L=3000	
18	092179	646R07700	PROBE EVAPORATOR	SONDA 6X40 VERDE 'DEF' L=3000	
19		856R28400	WIRING/TERMINAL BOARD ASSEMBLY	MORSETTIERA CON CABLAGGIO	
20	095315	682R10700	FAN 120X120X38 MM IP55	VENTILATORI	
21		503R38200	COMMON PART AIR CONVEYOR TN	CONVOGLIATORE ARIA TN	a,b,c
21		503R38900	COMMON PART AIR CONVEYOR BT	CONVOGLIATORE ARIA BT	d,e
22	095294	503R01302	EVAPORATOR COVER	COPERTURA EVAPORATORE TAV. TN	a,b,c
23	095359	503R01203	FANS SUPPORT EVAPORATOR	SUPPORTO VENTILATORI	
24	095279	514R24201	SPRING FOR ARMORED HEATING	MOLLA FIX. RESISTENZA TAV NGC TN	
25		856R28300	ARMORED HEATING ASS	RESISTENZA EVAPORATORE	
26	091356	512701800	EVAPORATION BASIN	BACCINELLA DI EVAP. CONDENSA	
27	083814	617R03800	PTC EXTERNAL	PTC	
28	*		ARMORED HEATING THERMOST.T1 +20°	TERMOST. DI SICUREZZA RESIST. T1 +20°	a,b,c
29	*		ARMORED HEATING THERMOST.T2 +20°	TERMOST. DI SICUREZZA RESIST. T2 +20°	a,b,c
30		503R38400	END PART AIR CONVEYOR TN	PARTE FINALE CONVOGLIATORE ARIA	b,c,e with draw. and doors
31		503R38300	MID PART AIR CONVEYOR	PARTE CENTRALE PER CONV. ARIA	c
32	092257	694R00501	RFI FILTER	FILTRO ANTIDIST	d,e
33	093518	503R28501	EVAPORATOR COVER	COPERTURA EVAPORATORE TAV. BT	d,e
34		830R14000	EVAPORATOR BT	EVAPORATORE REMOTE H700 BT	d,e
35	095362	502R93301	WATER COLLECTOR BASIN freezer	BACINELLA	d,e
36	095282	503R29200	ARMORED HEATER FIXING BRAKET	STAFFA PER RESISTENZA CORRAZZATA	d,e
37	095283	503R29400	ALLUMINIUM TIE	FASCIETTA IN ALLUMINIO	d,e
38		856R28500	ARMORED HEATING ASS	RESISTENZA CON TEMOSTATI	d,e
39	*		ARMORED HEATING THERMOST.T1 +8°	TERMOST. DI SICUREZZA RESIST. T1 +8°	d,e
40	*		ARMORED HEATING THERMOST.T2 +8°	TERMOST. DI SICUREZZA RESIST. T2 +8°	d,e
41					
42					
43					

* = On demand