



400 lt

Ventilated Refrigerator full and glass door with digital control

Code	Av.	Model	Type	Ref.	Brand	Page
111155	02	Z4PVG4	1-GLASS DOOR REFRIGER. 400 L 0+10°C-S/S, LED, R600a	a	Zanussi	3-5
111156	01	Z4PVGW	1-GLASS DOOR REFRIGER.400LT 0+10°C-WHITE, LED, R600a	b	Zanussi	3-5
111157	01	Z4NVF4	1-DOOR REFRIG.-400 LITRES -2°+8°C DIG. A430 High RH, R290	c	Zanussi	2-6
111158	01	Z4NVF4F	1-DOOR FISH REFRIG. 400 L -6°+6°C DIG. S/S A430, R290	d	Zanussi	4-6
190AGW	00	Z4PVG4	1-GLASS D REF. 400 L 0+10°C, R600a-UK	s	Zanussi	3-5
191051	00	R04PVG4	1-GLASS DOOR REFRIGER. 400L 0+10°C-S/S,LED,R600a,UK PLUG	t	Electrolux	3-5
729446	01	A4PVG4	1-GLASS DOOR REFRIGER. 400 L 0+10°C-S/S, LED, R600a	e	Alpen	3-5
729447	01	A4PVGW	1-GLASS DOOR REFRIGER.400LT 0+10°C-WHITE, LED, R600a	f	Alpen	3-5
729448	01	A4NVF4	1-DOOR REFRIG.-400 LITRES -2°+8°C DIG. A430 High RH, R290	g	Alpen	2-6
729449	01	A4NVF4F	1-DOOR FISH REFRIG. 400 L -6°+6°C DIG. S/S A430, R290	h	Alpen	4-6
730046	02	R04PVG4	1-GLASS DOOR REFRIGER. 400 L 0+10°C-S/S, LED, R600a	i	Electrolux	3-5
730047	01	R04PVGW	1-GLASS DOOR REFRIGER.400LT 0+10°C-WHITE, LED, R600a	l	Electrolux	3-5
730048	01	R04NVF4	1-DOOR REFRIG.-400 LITRES -2°+8°C DIG. A430 High RH, R290	m	Electrolux	2-6
730049	01	R04NVF4F	1-DOOR FISH REFRIG. 400 L -6°+6°C DIG. S/S A430, R290	n	Electrolux	4-6
730061	01	N4PVG4	1-GLASS DOOR REFRIGER. 400 L 0+10°C-S/S, LED, R600a	o	OEM	3-5
730062	01	N4PVGW	1-GLASS DOOR REFRIGER.400LT 0+10°C-WHITE, LED, R600a	p	OEM	3-5
730063	01	N4NVF4	1-DOOR REFRIG.-400 LITRES -2°+8°C DIG. A430 High RH, R290	q	OEM	2-6
730064	01	N4NVF4F	1-DOOR FISH REFRIG. 400 L -6°+6°C DIG. S/S A430, R290	r	OEM	4-6

NOTE

update code: please, refer to the parameters list in web site in order to set thermoregulator

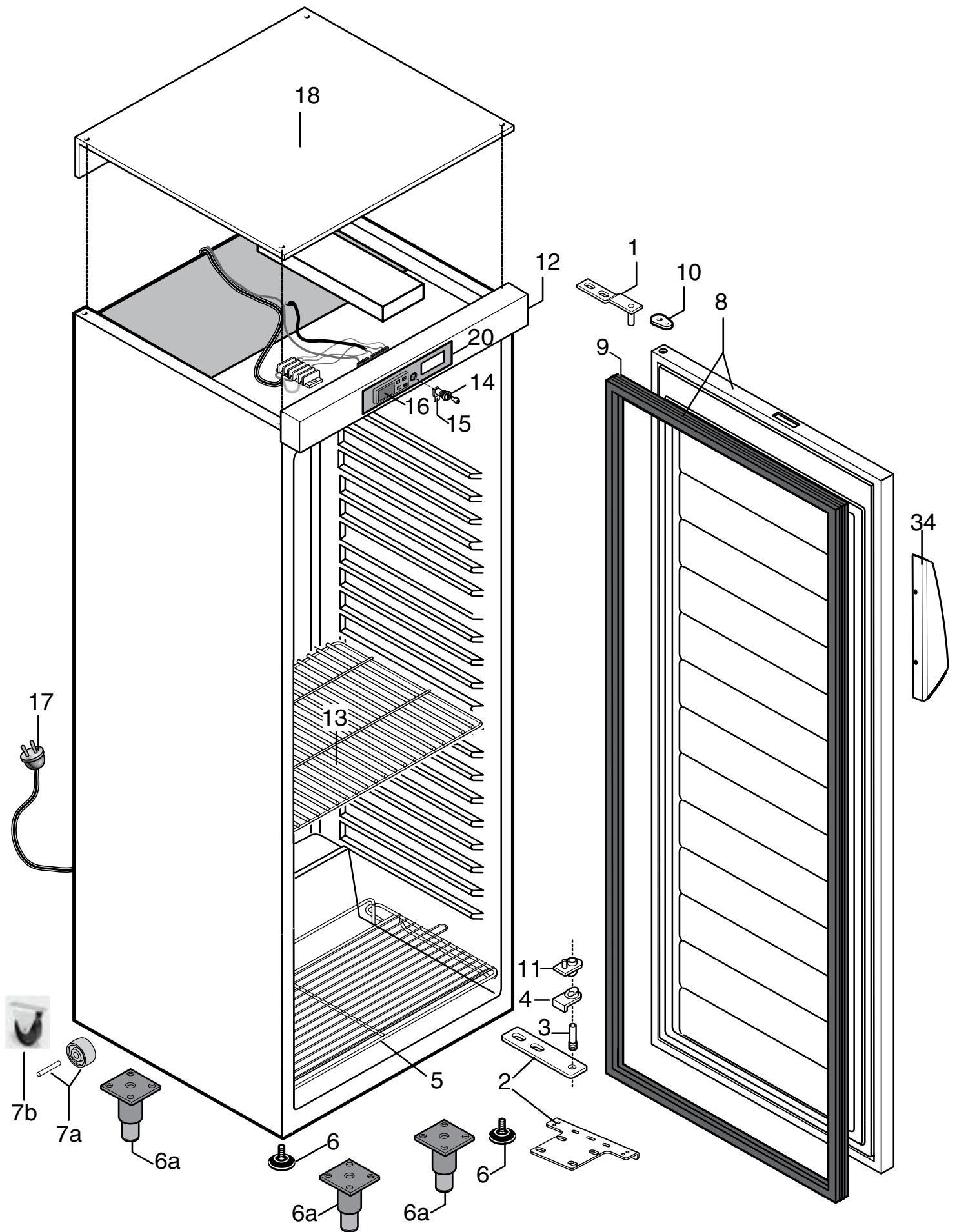
Rev.5

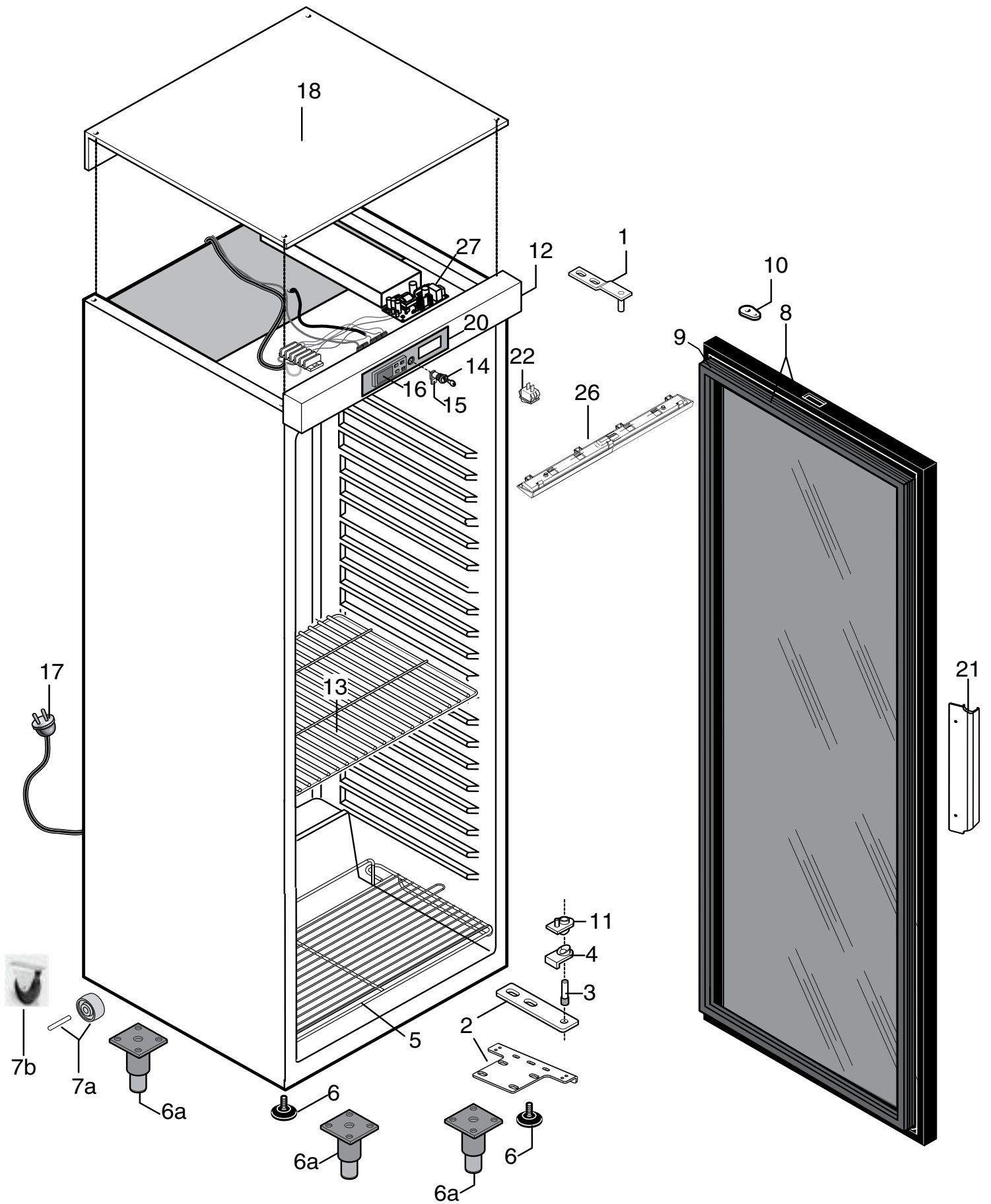
Pag./Page
2,3,4
5,6
7,8,9

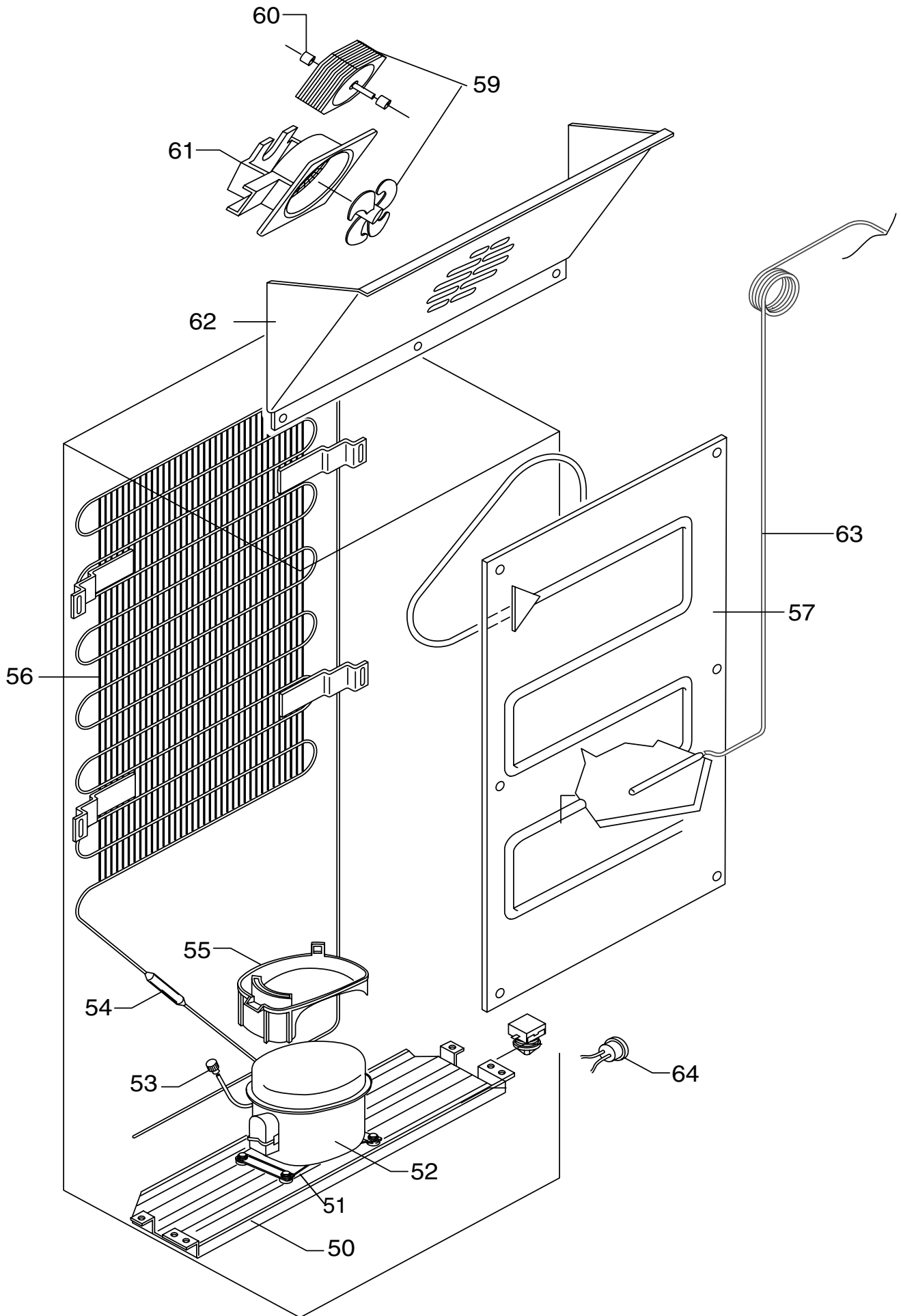
Indice
Armadio e porta
Gruppo refrigerante
Lista ricambi

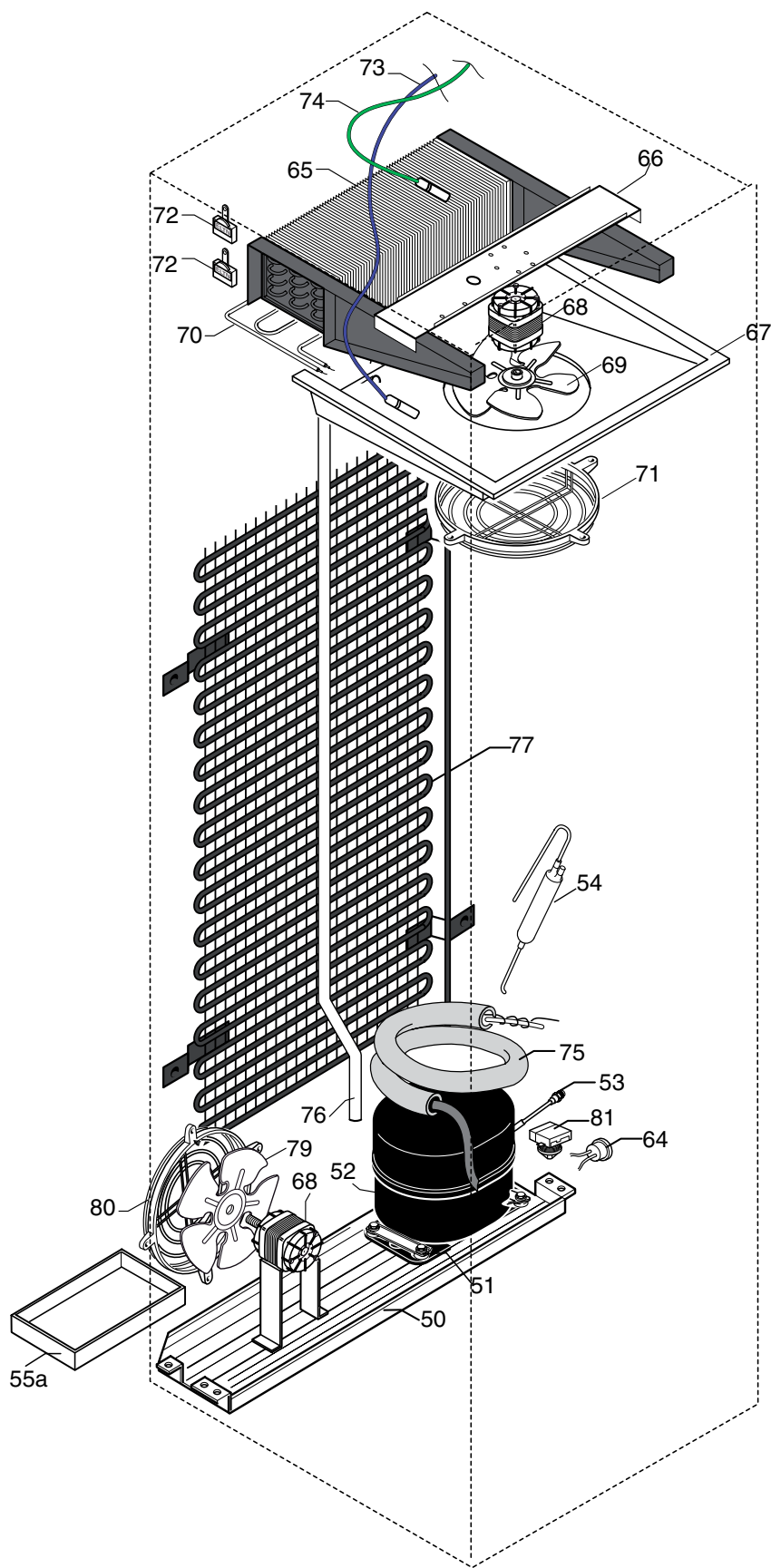
Index
Cabinet and door
Cooling unit
Spare parts list

Marchio / Brand: Tutti / All
Paese / Country: Tutti / All









Pos	Code	Descrizione	Description	Ref./Notes
		PAGINE 2-3-4	PAGES 2-3-4	
1	084148	Staffa superiore	Upper bracket	a,b,e,f,i,l,o,p,s,t
1	0A9266	Staffa superiore	Upper bracket	c,d,g,h,m,n,q,r
2	0A9549	Staffa inferiore	Lower bracket	b,f,l,p
2	094560	Staffa inferiore	Lower bracket	a,c,d,e,g,h,i,m,n,o,q,r,s,t
3	082962	Perno	Pin	a,b,c,d,e,f,g,h,i,l,m, n,o,p,q,r,s,t
4	082964	Boccola con perno inferiore	Lower bush with pin	a,b,c,d,e,f,g,h,i,l,m, n,o,p,q,r,s,t
5	095609	Griglia inferiore	Lower grate	a,b,c,e,f,g,i,l,m,o,p,q,s,t
6	083079	Piedino	Foot	b,f,l,p
6a	089140	Piedino	Foot	a,c,d,e,g,h,i,m,n,o,q,r,s,t
7a	084211	Ruota kit DERBY	Castor kit DERBY	b,f,l,p till 6411...
7b	095090	Ruota TENTE	Wheel TENTE	b,f,l,p from 6421..
8	095641	Porta vetro grigia	Glass door grey	a,e,i,o,s,t
8	095642	Porta vetro bianca	Glass door white	b,f,l,p
8	094548	Porta con new guarni. e manigl.	Door whit new gasket and handle	c,g,m,q
8	095489	Porta con new guarni. e manigl.	Door whit new gasket and handle	d,h,n,r
9	092268	Guarniz. porta Port.vet.	Door gasket glass	a,b,e,f,i,l,o,p,s,t
9	094399	Guarnizione porta	Door gasket	c,d,g,h,m,n,q,r standard for all model excluded the glass door to set by pull from 5041000 - 2015/W04
10	0A9096	Boccola per staffa	Bush	c,d,g,h,m,n,q,r
11	082965	Boccola elicoidale	Upper bush with pin	a,b,e,f,i,l,o,p,s,t
11	0A9092	Boccola elicoidale	Upper bush with pin	c,d,g,h,m,n,q,r
12	850R23400	Cruscotto	Control panel	a,e,i,o,s,t
12	095608	Cruscotto	Control panel	b,f,l,p
12	850R23600	Cruscotto	Control panel	c,d,g,h,m,n,q,r
13	0A8650	Griglia rilsan bianca	White grate	a,b,c,e,f,g,i,l,m,o,p,q,s,t
14	0A8655	Serratura	Lock	a,b,c,d,e,f,g,h,i,l,m,n,o, p,q,r,s,t
15	099623	Particolare per serratura	Lock accessory	a,b,c,d,e,f,g,h,i,l,m,n,o, p,q,r,s,t
16	093532	Termoregolatore (by Carel)	Termoregulator (by Carel)	a,b,c,d,e,f,g,h,i,l,m,n,o, p,q,r,s,t to be set
17	099991	Cavo alimentazione	Power supply cable	a,b,e,f,i,l,o,p
17	095750	Cavo alimentazione	Power supply cable	c,d,g,h,m,n,q,r
18	095594	Coperchio superiore bianco	Top panel white	b,f,l,p
18	503R75800	Coperchio superiore	Top panel	a,c,d,e,g,h,i,m,n,o,q,r,s,t
20	095504	Membrana Zanussi	Zanussi membrane	For Zanussi products
20	095505	Membrana Electrolux	Electrolux membrane	For Elux products
20	095506	Membrana Alpeninox	Alpeninox membrane	For Alpen products
20	092247	Adesivo per cruscotto	Stiker to brand	For OEM products
21	087437	Maniglia per porta	Door Handle	a,b,e,f,i,l,o,p,s,t
22	083042	Interuttore luce	Switch ON OFF light	a,b,e,f,i,l,o,p,s,t

Pos	Code	Descrizione	Description	Ref./Notes
26	095640	Assieme lampada	Lamp assembly	a,b,e,f,i,l,o,p,s,t
27	095639	Reattore 12V 30W	Power supply 12V 30W	a,b,e,f,i,l,o,p,s,t
34	093797	Maniglia acciaio	Steel handle	c,d,g,h,m,n,q,r
35	0A9383	Micro porta	Door switch	c,d,g,h,m,n,q,r
36	091507	Tappo per coperchio super.	Top panel plug	c,d,g,h,m,n,q,r
37	083591	Piletta	Drain	d,h,n,r
38	0A8858	Bacinella H210	Basin H210	d,h,n,r
39	0A8860	Falso fondo	Bottom basin	d,h,n,r
40	0A8859	Bacinella H200	Basin H200	d,h,n,r
41	0A8861	Falso fondo	Bottom basin	d,h,n,r
42	084069	Tubo di scarico	Discharge pipe	d,h,n,r
43	084070	Kit accessori tubo	Pipe accessory	d,h,n,r
		PAGINE 5-6	PAGES 5-6	
50	876719508	Traversa supporto gruppo	Cooling support	a,b,c,d,e,f,g,h,i,l,m,n,o, p,q,r,s,t
51	087122	Dispositivo fiss.Compressore	Compressor fixing	a,b,c,d,e,f,g,h,i,l,m,n,o, p,q,r,s,t
52	093425	Compressore EMT6144U	Compressor EMT6144U	c,d,g,h,m,n,q,r
52	095607	Compressore. TB1114Y	Compressor TB1114Y	a,b,e,f,i,l,o,p,s,t
53	0A8171	Valvolina di ricarica comp.	Discharge /charge valve compressor	a,b,c,d,e,f,g,h,i,l,m,n,o, p,q,r,s,t
54	084078	Filtro deidratore	Dehidrator filter	c,d,g,h,m,n,q,r
54	099629	Filtro deidratore	Dehidrator filter	a,b,e,f,i,l,o,p,s,t
55	095606	Bacinella raccolta condensa	Condenser water basin	a,b,e,f,i,l,o,p,s,t
55a	084585	Bacinella raccolta condensa	Condenser water basin	c,g,m,q
56	093074	Condensatore a piastra	Condenser	a,b,e,f,i,l,o,p,s,t
57	0A9550	Piastra evaporante	Evaporator	a,b,e,f,i,l,o,p,s,t
59	0A9308	Ventilatore cella	Cooling fan	a,b,e,f,i,l,o,p,s,t
60	0A8719	Gommino	Bumper	a,b,e,f,i,l,o,p,s,t
61	0A9066	Supporto ventilatore	Ventilator support	a,b,e,f,i,l,o,p,s,t
62	083096	Convogliatore evaporatore	Conveyor	a,b,e,f,i,l,o,p,s,t
63	092173	Sonda Cella (blu)	Cell Probe (blue)	a,b,e,f,i,l,o,p,s,t
64	*	Protettore EMT6144U	Protector EMT6144U	c,d,g,h,m,n,q,r
64	*	Protettore TB1114Y	Protector TB1114Y	a,b,e,f,i,l,o,p,s,t
65	087517	Evaporatore	Evaporator	c,d,g,h,m,n,q,r
66	099815	Supporto motore ventilatore	Ventilator support	c,d,g,h,m,n,q,r
67	085638	Coperchio/bacinella evap.	Cover Evaporator	c,d,g,h,m,n,q,r
68	095603	Ventilatore	Ventilator	c,d,g,h,m,n,q,r
69	085532	Ventola	Fan	c,d,g,h,m,n,q,r
70	085533	Resistenza	Heating element	c,d,g,h,m,n,q,r
71	085396	Griglia di protezione ventola	Protection fan	c,d,g,h,m,n,q,r
72	0A9671	Termostato di sicurezza ELTH	Safety Thermostat ELTH	c,d,g,h,m,n,q,r
73	092173	Sonda Cella (blu)	Cell Probe (blue)	c,d,g,h,m,n,q,r
74	092178	Sonda Evaporatore (verde)	Evaporator probe (green)	c,d,g,h,m,n,q,r
75	095652	Assieme scambiatore	Heating Exchanger	c,d,g,h,m,n,q,r
76	092283	Tubo di scarico acqua	Discharge pipe	d,h,n,r
76	547703201	Tubo di scarico acqua	Discharge pipe	c,g,m,q
77	087520	Condensatore a fili	Condenser	c,d,g,h,m,n,q,r

Pos	Code	Descrizione	Description	Ref./Notes
79	089696	Ventola	Fan	c,d,g,h,m,n,q,r
80	091602	Griglia ventilatore	Protection fan	c,d,g,h,m,n,q,r
81	*	Relè d'avviamento EMT6144U	Start relays EMT6144U	c,d,g,h,m,n,q,r