

# 400 lt

## Ventilated Refrigerator full door with digital control R290

Code	Av.	Model	Type	Ref.	Brand	Page
111157	03	Z4NVF4	1-DOOR REFRIG.-400 LITRES -2°+8°C DIG. A430 High RH, R290	c	Zanussi	2-4
111158	03	Z4NVF4F	1-DOOR FISH REFRIG. 400 L -6°+6°C DIG. S/S A430, R290	d	Zanussi	3-4
<b>190EP1</b>	<b>00</b>	<b>R04NVF4F</b>	<b>1-DOOR FISH REFRIG. 400 L -6°+6°C DIG. S</b>	<b>a</b>	<b>EPR</b>	<b>3-4</b>
729448	03	A4NVF4	1-DOOR REFRIG.-400 LITRES -2°+8°C DIG. A430 High RH, R290	g	Alpen	2-4
729449	03	A4NVF4F	1-DOOR FISH REFRIG. 400 L -6°+6°C DIG. S/S A430, R290	h	Alpen	3-4
730048	03	R04NVF4	1-DOOR REFRIG.-400 LITRES -2°+8°C DIG. A430 High RH, R290	m	EPR	2-4
730049	03	R04NVF4F	1-DOOR FISH REFRIG. 400 L -6°+6°C DIG. S/S A430, R290	n	EPR	3-4
730063	03	N4NVF4	1-DOOR REFRIG.-400 LITRES -2°+8°C DIG. A430 High RH, R290	q	OEM	2-4
730064	03	N4NVF4F	1-DOOR FISH REFRIG. 400 L -6°+6°C DIG. S/S A430, R290	r	OEM	3-4

NOTE

update code: please, refer to the parameters list in web site in order to set thermoregulator

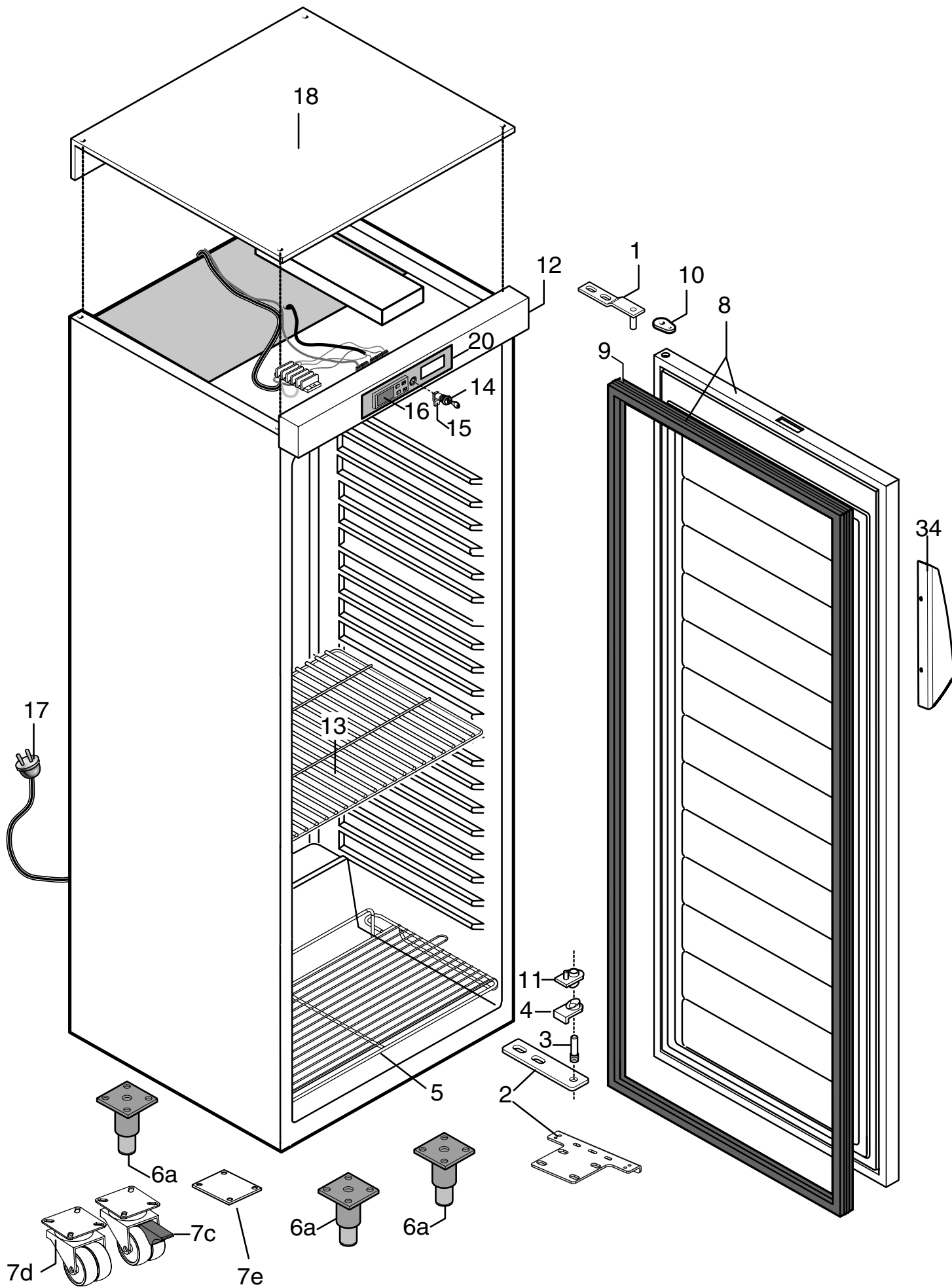
Rev.6

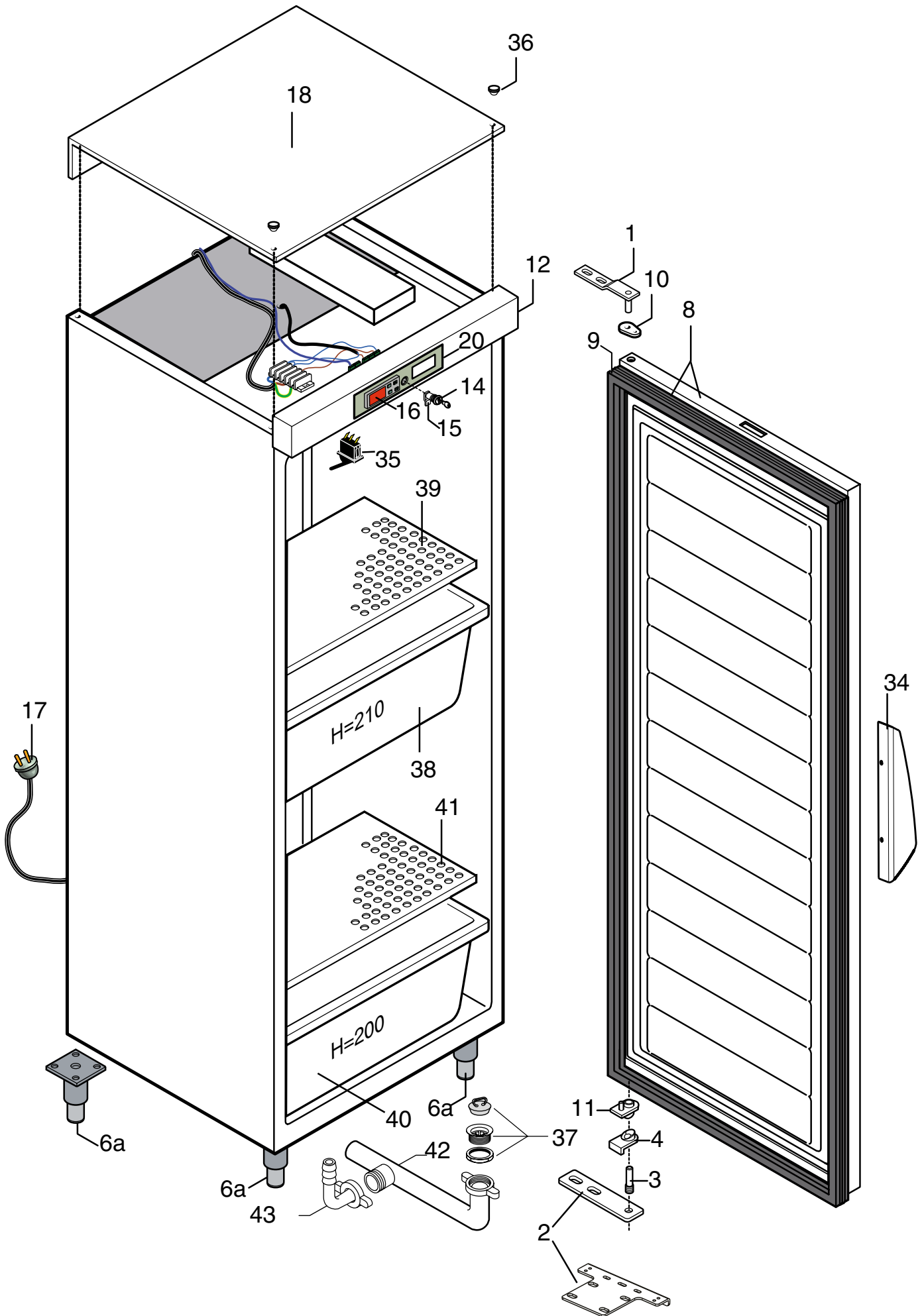
Pag./Page  
2,3  
4  
5,6

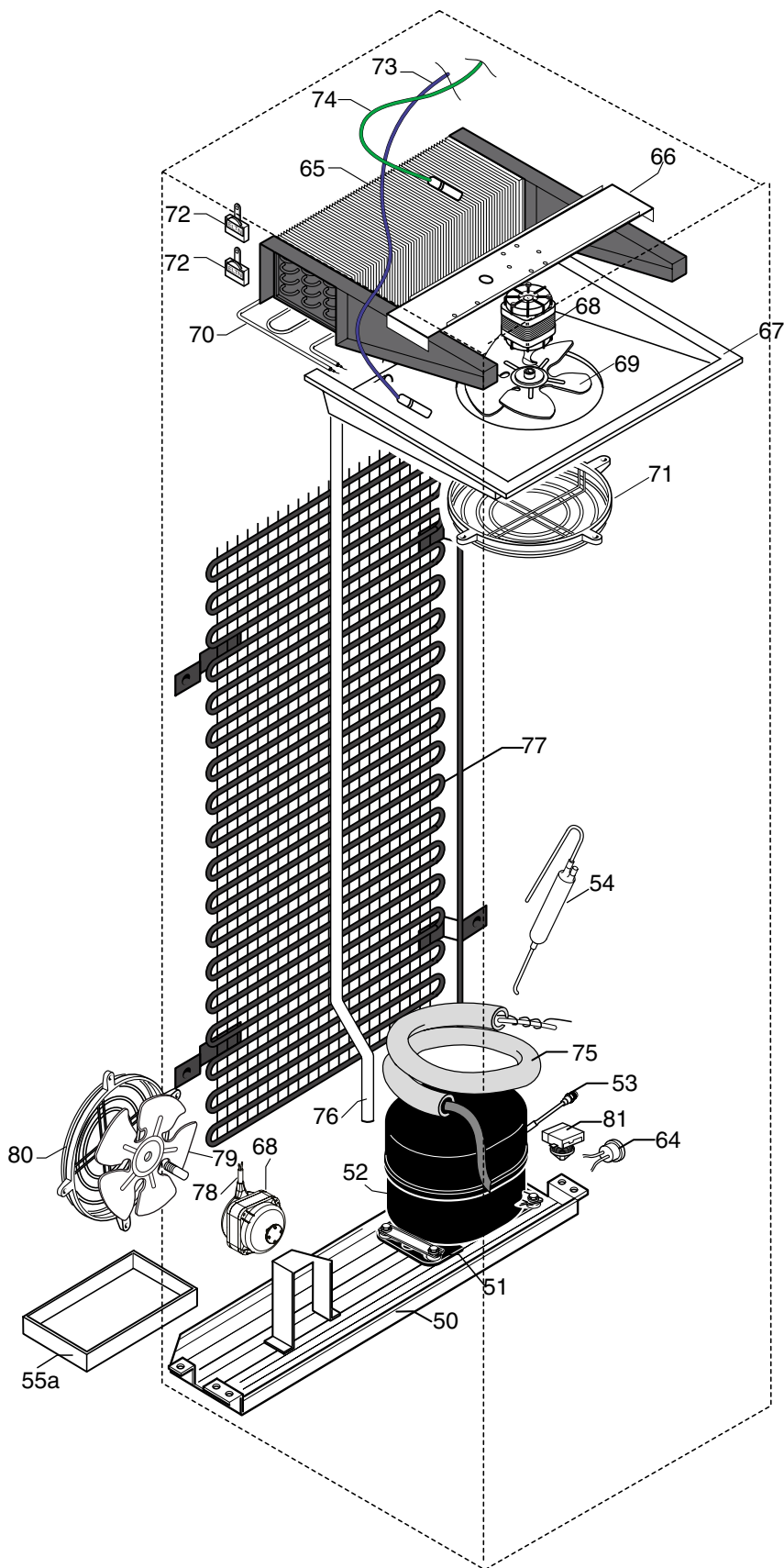
Indice  
Armadio e porta  
Gruppo refrigerante  
Lista ricambi

Index  
Cabinet and door  
Cooling unit  
Spare parts list

Marchio / Brand: Tutti / All  
Paese / Country: Tutti / All







Pos	Code	Descrizione	Description	Ref./Notes
		<b>PAGINE 2-3-4</b>	<b>PAGES 2-3-4</b>	
1	0A9266	Staffa superiore	Upper bracket	a,c,d,g,h,m,n,q,r
2	094560	Staffa inferiore	Lower bracket	a,c,d,g,h,m,n,q,r
3	082962	Perno	Pin	a,c,d,g,h,m,n,q,r
4	082964	Boccola con perno inferiore	Lower bush with pin	a,c,d,g,h,m,n,q,r
5	095609	Griglia inferiore	Lower grate	c,g,m,q
6a	089140	Piedino	Foot	a,c,d,g,h,m,n,q,r,
8	094548	Porta con new guarni. e manigl.	Door whit new gasket and handle	c,g,m,q
8	095489	Porta con new guarni. e manigl.	Door whit new gasket and handle	a,d,h,n,r
9	094399	Guarnizione porta	Door gasket	a,c,d,g,h,m,n,q,r standard for all model excluded the glass door to set by pull from 5041000 - 2015/W04
10	0A9096	Boccola per staffa	Bush	a,c,d,g,h,m,n,q,r
11	0A9092	Boccola elicoidale	Upper bush with pin	a,c,d,g,h,m,n,q,r
12	<b>850R23602</b>	<b>Cruscotto</b>	<b>Control panel</b>	<b>a,c,d,g,h,m,n,q,r</b>
12	<b>097499</b>	<b>Cruscotto</b>	<b>Control panel</b>	<b>a,c,d,g,h,m,n,q,r</b> <b>See TB VTX2022_06</b>
13	0A8650	Griglia rilsan bianca	White grate	c,g,m,q
14	0A8655	Serratura	Lock	a,c,d,g,h,m,n,q,r
15	099623	Particolare per serratura	Lock accessory	c,d,g,h,m,n,q,r Up to 2022/09
15	<b>504R36700</b>	<b>Particolare per serratura</b>	<b>Lock accessory</b>	<b>a,c,d,g,h,m,n,q,r</b> <b>From 2022/10</b>
16	093532	Termoregolatore (by Carel)	Termoregulator (by Carel)	a,c,d,g,h,m,n,q,r to be set
17	095750	Cavo alimentazione	Power supply cable	c,d,g,h,m,n,q,r
18	503R75800	Coperchio superiore	Top panel	a,c,d,g,h,m,n,q,r
20	095504	Membrana Zanussi	Zanussi membrane	For Zanussi products
20	095505	Membrana Electrolux	Electrolux membrane	For Elux products
20	095506	Membrana Alpeninox	Alpeninox membrane	For Alpen products
20	092247	Adesivo per cruscotto	Stiker to brand	For OEM products
34	093797	Maniglia acciaio	Steel handle	a,c,d,g,h,m,n,q,r
35	<b>0A9383</b>	<b>Micro porta</b>	<b>Door swicth</b>	<b>c,d,g,h,m,n,q,r</b> <b>Out of production</b> <b>Replaced by 087485</b> <b>See TB VTX2022_06</b>
35	<b>087485</b>	<b>Micro porta</b>	<b>Door swicth</b>	<b>a,c,d,g,h,m,n,q,r</b> <b>From 2022/29</b> <b>See TB VTX2022_06</b>
36	091507	Tappo per coperchio super.	Top panel plug	a,c,d,g,h,m,n,q,r
37	083591	Piletta	Drain	a,d,h,n,r
38	0A8858	Bacinella H210	Basin H210	a,d,h,n,r
39	0A8860	Falso fondo	Bottom basin	a,d,h,n,r
40	0A8859	Bacinella H200	Basin H200	a,d,h,n,r
41	0A8861	Falso fondo	Bottom basin	a,d,h,n,r
42	084069	Tubo di scarico	Discharge pipe	a,d,h,n,r
43	084070	Kit accessori tubo	Pipe accessory	a,d,h,n,r

Pos	Code	Descrizione	Description	Ref./Notes
		<b>PAGINE 5-6</b>	<b>PAGES 5-6</b>	
50	876719508	Traversa supporto gruppo	Cooling support	a,c,d,g,h,m,n,q,r
51	087122	Dispositivo fiss.Compressore	Compressor fixing	a,c,d,g,h,m,n,q,r
52	093425	Compressore EMT6144U	Compressor EMT6144U	a,c,d,g,h,m,n,q,r
53	0A8171	Valvolina di ricarica comp.	Discharge /charge valve compressor	a,c,d,g,h,m,n,q,r
54	084078	Filtro deidratore	Dehydrator filter	a,c,d,g,h,m,n,q,r
55a	084585	Bacinella raccolta condensa	Condenser water basin	c,g,m,q
<b>55a</b>	<b>085531</b>	<b>Bacinella raccolta condensa</b>	<b>Condenser water basin</b>	<b>a,d,h,n,r</b>
64	*	Protettore EMT6144U	Protector EMT6144U	a,c,d,g,h,m,n,q,r
65	087517	Evaporatore	Evaporator	a,c,d,g,h,m,n,q,r
66	099815	Supporto motore ventilatore	Fan support	a,c,d,g,h,m,n,q,r
67	085638	Coperchio/bacinella evap.	Cover Evaporator	a,c,d,g,h,m,n,q,r
<b>68</b>	<b>096482</b>	<b>Ventilatore</b>	<b>Fan</b>	<b>a,c,d,g,h,m,n,q,r</b>
69	085532	Ventola	Fan	a,c,d,g,h,m,n,q,r
70	085533	Resistenza	Heating element	a,c,d,g,h,m,n,q,r
71	085396	Griglia di protezione ventola	Protection fan	a,c,d,g,h,m,n,q,r
72	0A9671	Termostato di sicurezza ELTH	Safety Thermostat ELTH	a,c,d,g,h,m,n,q,r
73	092173	Sonda Cella (blu)	Cell Probe (blue)	a,c,d,g,h,m,n,q,r
74	092178	Sonda Evaporatore (verde)	Evaporator probe (green)	a,c,d,g,h,m,n,q,r
75	095652	Assieme scambiatore	Heating Exchanger	a,c,d,g,h,m,n,q,r
76	092283	Tubo di scarico acqua	Discharge pipe	a,d,h,n,r
76	547703201	Tubo di scarico acqua	Discharge pipe	c,g,m,q
77	087520	Condensatore a fili	Condenser	a,c,d,g,h,m,n,q,r
<b>78</b>	<b>097055</b>	<b>Cablaggio ventilatore</b>	<b>Fan wiring</b>	<b>a,c,d,g,h,m,n,q,r</b>
79	089696	Ventola	Fan	a,c,d,g,h,m,n,q,r
80	091602	Griglia ventilatore	Protection fan	a,c,d,g,h,m,n,q,r
81	*	Relè d'avviamento EMT6144U	Start relays EMT6144U	a,c,d,g,h,m,n,q,r