



**HORIZONTAL COUNTERS
TAVOLI ORIZZONTALI**

ECOSTORE CL h650 freezer Left side cooling unit

Type reference	Ref	Page	Description	Brand
H6NBT2BHC	a	3 to 13	Counter 2 compartments refrigerated CL 650	all
H6NBT3BHC	b	3 to 13	Counter 3 compartments refrigerated CL 650	all

Index

	Page
Identification Type Ref./Identificazione type Ref.	2
Body module/corpo armadio	3
Spare part list/Lista ricambi	4
Door and drawers/ Porte e cassetti	5
Spare part list/Lista ricambi	6
Top/Ripiano	7
Spare part list/Lista ricambi	8
Cooling unit Refrig. & Freezer/Gruppo Refrigerato & Freezer R290&R404a	9
Spare part list/Lista ricambi	10
Control panel/Pannello di controllo CL	11
Spare part list/Lista ricambi	12

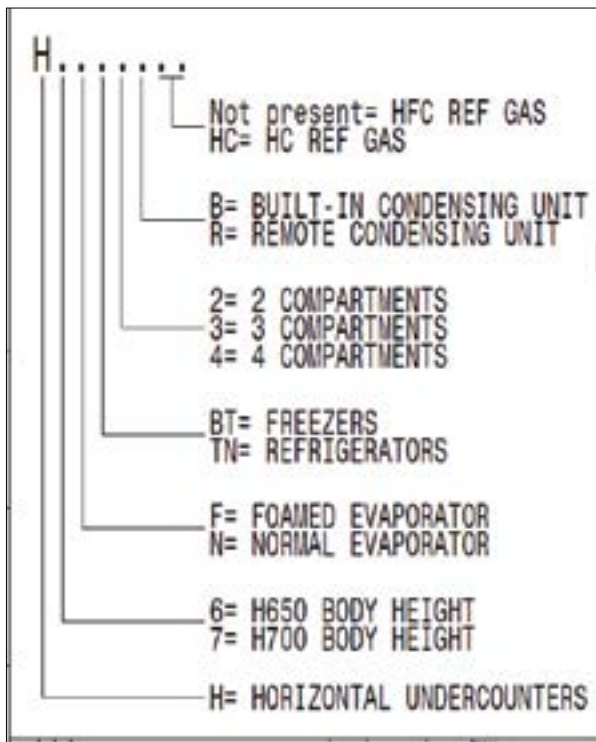
...Bold= last change/Grassetto =ultima modifica

Rev. 2

How to put in relation the “Type Ref.” reported on the data plate with the “Type reference” reported on the front page of the Spare Part Catalogue:

The “Type Ref.” represents a group of models/brands all with similar technical features, hence possible to be reported under the same scheme in terms of exploded views.

Find below an identification example: **H7NTN2BHC**



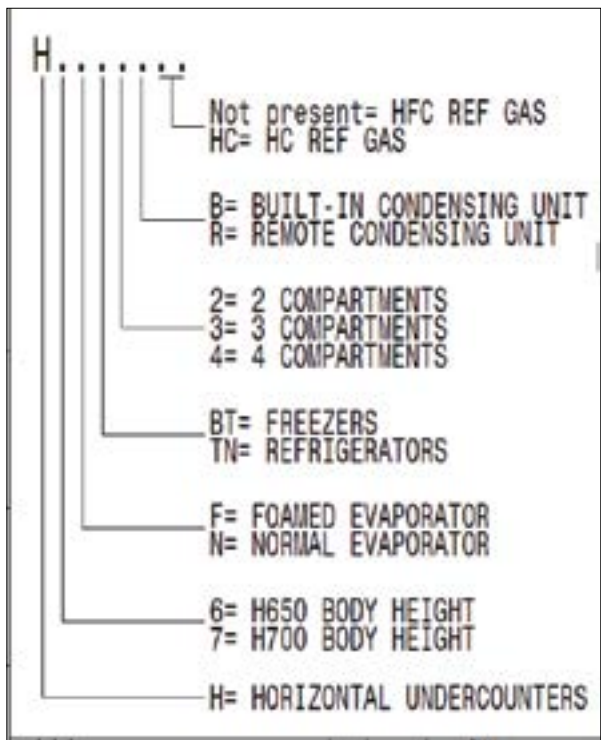
F. Mod. EH2H7AA	Comm. Mod. EH2H7AA	Type Ref. H7NTN2BHC	2017
PNC 9VTX 710000 00	Ser. No. 70810001	Cyclopentane	
W Tot. 0.25 kW	Volt 220-240 V	1 - 50 Hz	Total Current 1.9 A
Potenza Sbrinatorio / Defrost Power	0.29 kW	Classe/Class 5	GWP 3 CO2-eq 0
Resistenza Evaporazione/Evaporation Heater El.	kW	Refrigerante / Refrigerant R290	0,07 kg
Illuminazione / Lighting	W	Cap. 240	MADE IN ITALY
NF nominal Charge			
Rated Pressure	MPa		
IP21			
Electrolux Professional SpA - Viale Treviso, 15 - 33170 Pordenone (Italy)			

For the right spare code identification follow the steps:

1. type in the website the PNC reported on the data plate.
2. The website will automatically display this spare part catalogue.
3. The spare part code at this point is referenced through the “Type reference” as from the front page by the relevant “Ref”.

Come mettere in relazione il “Type Ref.” Riportato sulla targhetta caratteristica con il “Type reference” riportato sul frontespizio del catalogo ricambi:

Il “Type Ref.” Rappresenta un gruppo di modelli/marchi con simili caratteristiche tecniche, ossia possibili da rappresentare con il medesimo schema in termini di vista esplosa.



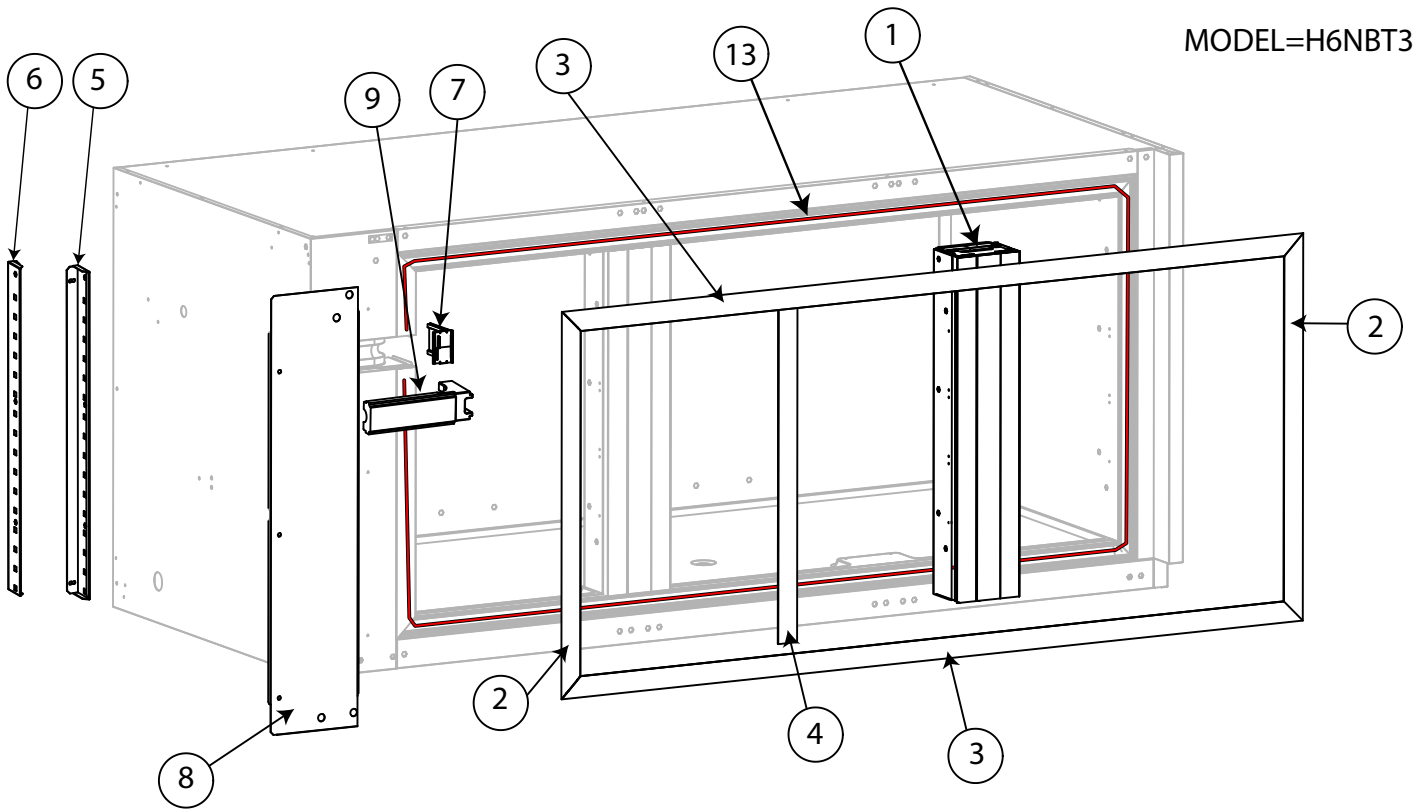
Qui di seguito un esempio di identificazione: **H7NTN2BHC**

F. Mod. EH2H7AA	Comm. Mod. EH2H7AA	Type Ref. H7NTN2BHC	2017
PNC 9VTX 710000 00	Ser. No. 70810001	Cyclopentane	
W Tot. 0.25 kW	Volt 220-240 V	1 - 50 Hz	Total Current 1.9 A
Potenza Sbrinatorio / Defrost Power	0.29 kW	Classe/Class 5	GWP 3 CO2-eq 0
Resistenza Evaporazione/Evaporation Heater El.	kW	Refrigerante / Refrigerant R290	0,07 kg
Illuminazione / Lighting	W	Cap. 240	MADE IN ITALY
NF nominal Charge			
Rated Pressure	MPa		
IP21			
Electrolux Professional SpA - Viale Treviso, 15 - 33170 Pordenone (Italy)			

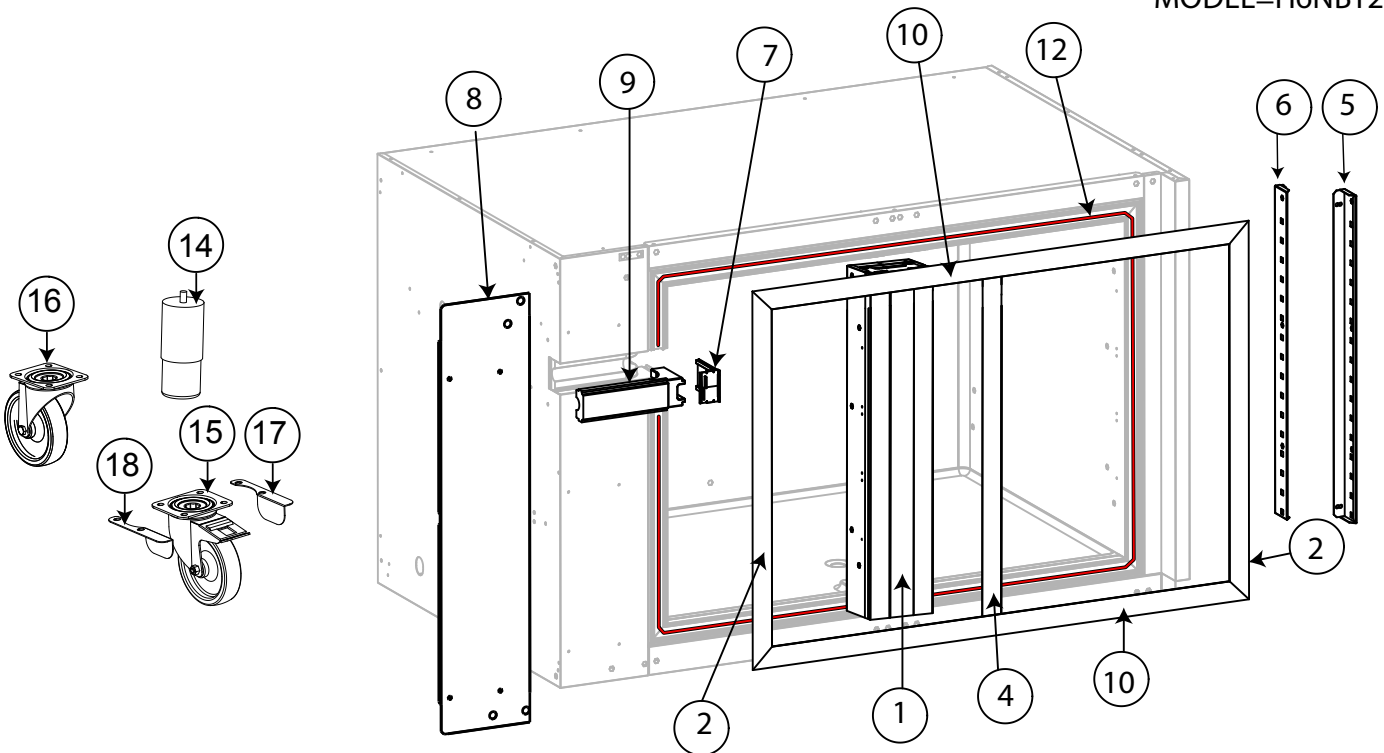
Per identificare il corretto codice ricambio procedere con:

1. Digitare nel website il PNC riportato sulla targhetta caratteristica.
2. Il website mostrerà automaticamente questo catalogo ricambi.
3. A questo punto, il codice ricambio è identificabile attraverso il “Type reference” come indicato nel frontespizio sotto la relativa voce “Ref”.

MODEL=H6NBT3BHC

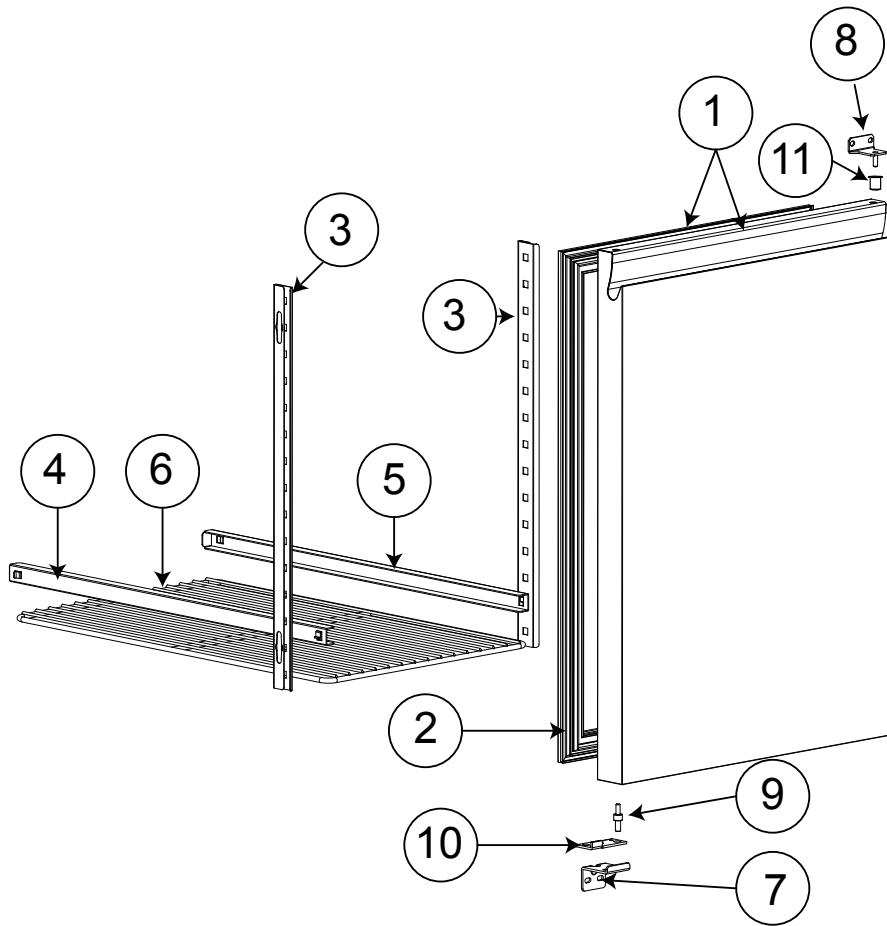


MODEL=H6NBT2BHC

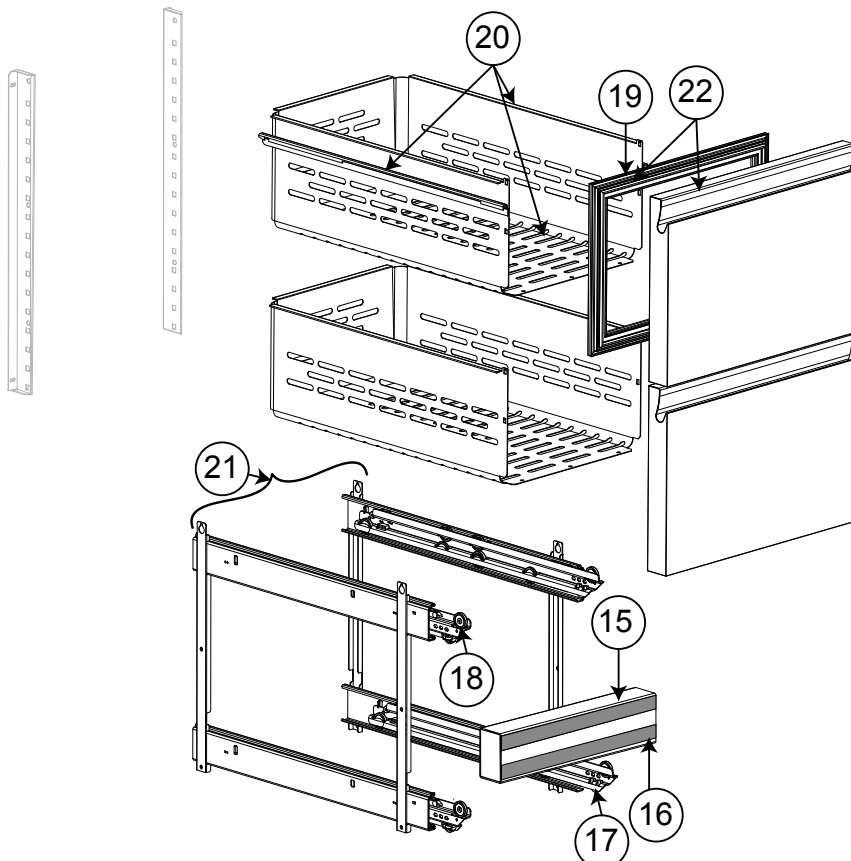


Pos	Code	Factory code	Description	Descrizione	Ref/notes
Reference pag.3					
Body Assembly			Corpo schiumato		
1		835R68001	FOAMED VERTICAL PILLAR ASSEM.	MONTANTE ASSEMBLATO	
2		543R21800	VERTICAL FRAME COVER	COPERCHIO CORN.VERT. TAV 2V BT	
3	095253	543R19500	HORIZONTAL FRAME COVER	COPERCHIO CORN ORIZZ TAV 3V BT	b
4		543R21900	VERTICAL FRAME FOR PILLAR	CORNICE VERTICALE MONTANTE	
5		503R75101	REAR RIGHT SUPPORT GRIDS H650	SUPPORTO POSTERIORE DX	
6		503R75201	REAR LEFT SUPPORT GRIDS H650	SUPPORTO POSTERIORE SX	
7	095323	543R17804	HEAT EXCHANGER HOUSING SIDE	COPERTURA TUBI SCAMBIATORE	
8		503R65300	FRONT COVER PANEL SIDE (LEFT)	PANNELLO FRONTALE SX A304	
9	095225	569R09502	INSULATION BLOCK HEAT EXCH.	ISOLAMENTO PER TUBI SCAMBIATO.	
10	095254	543R19400	HORIZONTAL FRAME COVER	COPERCHIO CORN ORIZZ TAV 2V	a
12	095649	617R23200	FRAME HEATING CABLE 2V L 4140 mm	CAVO RISCALDANTE CORNICI 2V	only door (5W/M)
12	095658	617R21300	FRAME HEATING CABLE 2V L 4970 mm	CAVO RISCALDANTE CORNICI 2V	1 door_2 1/2 draw. (5W/M)
12	095659	617R21500	FRAME HEATING CABLE 2V L 5800 mm	CAVO RISCALDANTE CORNICI 2V	4 1/2 draw. (5W/M)
13	095650	617R23400	FRAME HEATING CABLE 3V L 6020 mm	CAVO RISCALDANTE CORNICI 3V	only door (5W/M)
13	095660	617R21700	FRAME HEATING CABLE 3V L 6850 mm	CAVO RISCALDANTE CORNICI 3V	2 door_2 1/2 draw. (5W/M)
13	095661	617R21800	FRAME HEATING CABLE 3V L 7680 mm	CAVO RISCALDANTE CORNICI 3V	1 door_4 1/2 draw. (5W/M)
13	095662	617R21900	FRAME HEATING CABLE 3V L 8510 mm	CAVO RISCALDANTE CORNICI 3V	6 1/2 draw. (5W/M)
14	091610	0518R01100	FOOT H 150 WITH CENTRAL SCREW	PIEDE VITE CENT.+ RIVEST.INOX H150	
15	087110	0835739900	WHEEL WITH BRAKE H155	RUOTA A PIASTRA ROT. CON FRENO	H = 155
15	095544	518R08700	WHEEL WITH BRAKE H100	RUOTA A PIASTRA ROT. CON FRENO	H = 100
16	087111	0835740000	WHEEL WITH-OUT BRAKE H155	RUOTA A PIASTRA ROT. NO FRENO	H = 155
16	095545	518R08800	WHEEL WITH-OUT BRAKE H100	RUOTA A PIASTRA ROT. NO FRENO	H = 100
17	095324	0503R38501	RIGHT WHEEL LEVER BRAKE	FERMO RUOTA DESTRO	
18	095325	0503R38601	LEFT WHEEL LEVER BRAKE	FERMO RUOTA SINISTRO	
19					
20					
21					

APX H650
DOOR

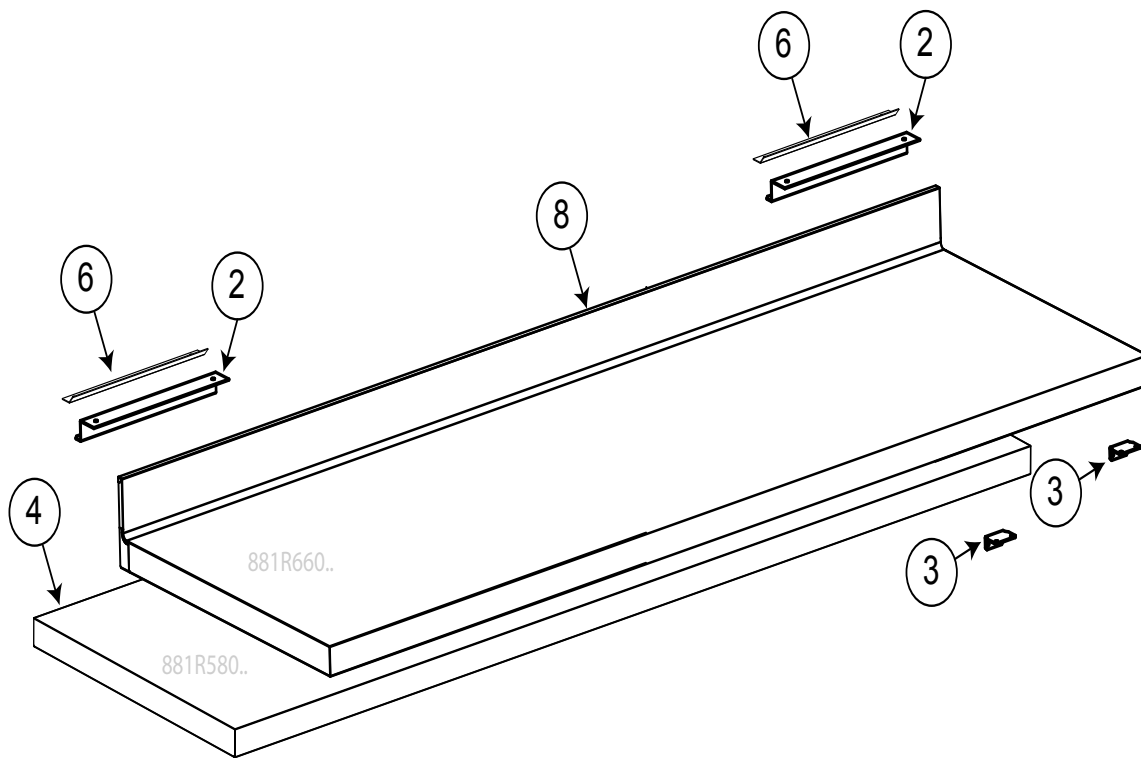


APX H650
DRAW. 1/2

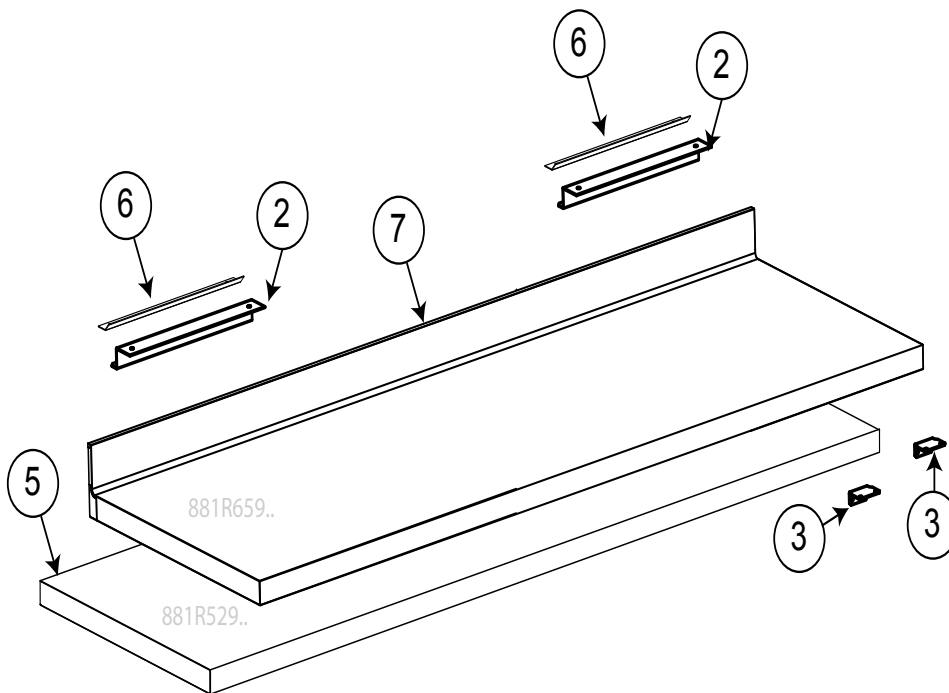


Pos	Code	Factory code	Description	Descrizione	Ref/notes
reference pag. 5					
Doors and Drawers			Porta e Cassetti		
1	095832	0835R63802	FOAMED D. ASSEMBLY H650 apx	PORTA SCHIU. CON GUARNI.APX_ZAN	brand Apx
2	095657	0548R11400	MAGNETIC GASKET H650	GUARNIZIONE PORTA	
3	095227	503R09702	FRONT SUPPORT GRIDS H700	FRONTALE SUPPORTO GUIDE	
4	095228	502R84601	LEFT GUIDE FOR SHELF	GUIDA A "C" SX TAV NGC H700/H650	
5	095229	502R84701	RIGHT GUIDE FOR SHELF	GUIDA A "C" DX TAV NGC H700/H650	
6	095231	514R23500	SHELF	GRIGLIA RILSAN TAVOLO H650/H700	
7	095326	505R23702	LOWER HINGE H650/H700	CERNIERA INFERIORE	
8	095327	505R23803	UPPER HINGE H650/H700	CERNIERA SUPERIORE	
9	087667	514746701	PIN FOR DOOR	PERNO PER CERNIERA INFERIORE	
10	089146	800735200	DOOR OPENING END COURSE	PIASTRINA FERMO BATTUTA PORTA	
11	081807	549700000	DOOR BUSH	BOCCOLA X CERNIERA	
15	095366	835R53802	FOAM PILLAR ASS. - DRAWERS	TRAVERSA CASSETTO 1/ E 1/2 BT	only freezer foamed
16		543R18001	FRAME FOR PILLAR DRAWERS	CORNICI MONTANTE CASSETTO	
17	095267	832R23300	RIGHT SLIDING GUIDE	GUIDA SCORREVOLE DX	
18	095266	832R23200	LEFT SLIDING GUIDE	GUIDA SCORREVOLE SX	
19	095655	0548R13100	GASKET DRAWER 1/2	GUARNIZ.CASS.1/2 TAV NGC H650	
20	095873	0833R40700	1/2 DRAW+GUIDES (WITHOUT FRONTAL)	INVOLUCRO CON GUIDE	
21		0833R40900	1/2 SUPPORT +GUIDE ASSEMBLY	SUPP. TELAIO DX E SX CASS.1/2	
22	095833	835R63902	FOAMED FRONT DRAW. 1/2 APX	ASS.CASS.1/2 SCHIUM. APX	brand Apx_Zan (+GASKET)

*= On demand

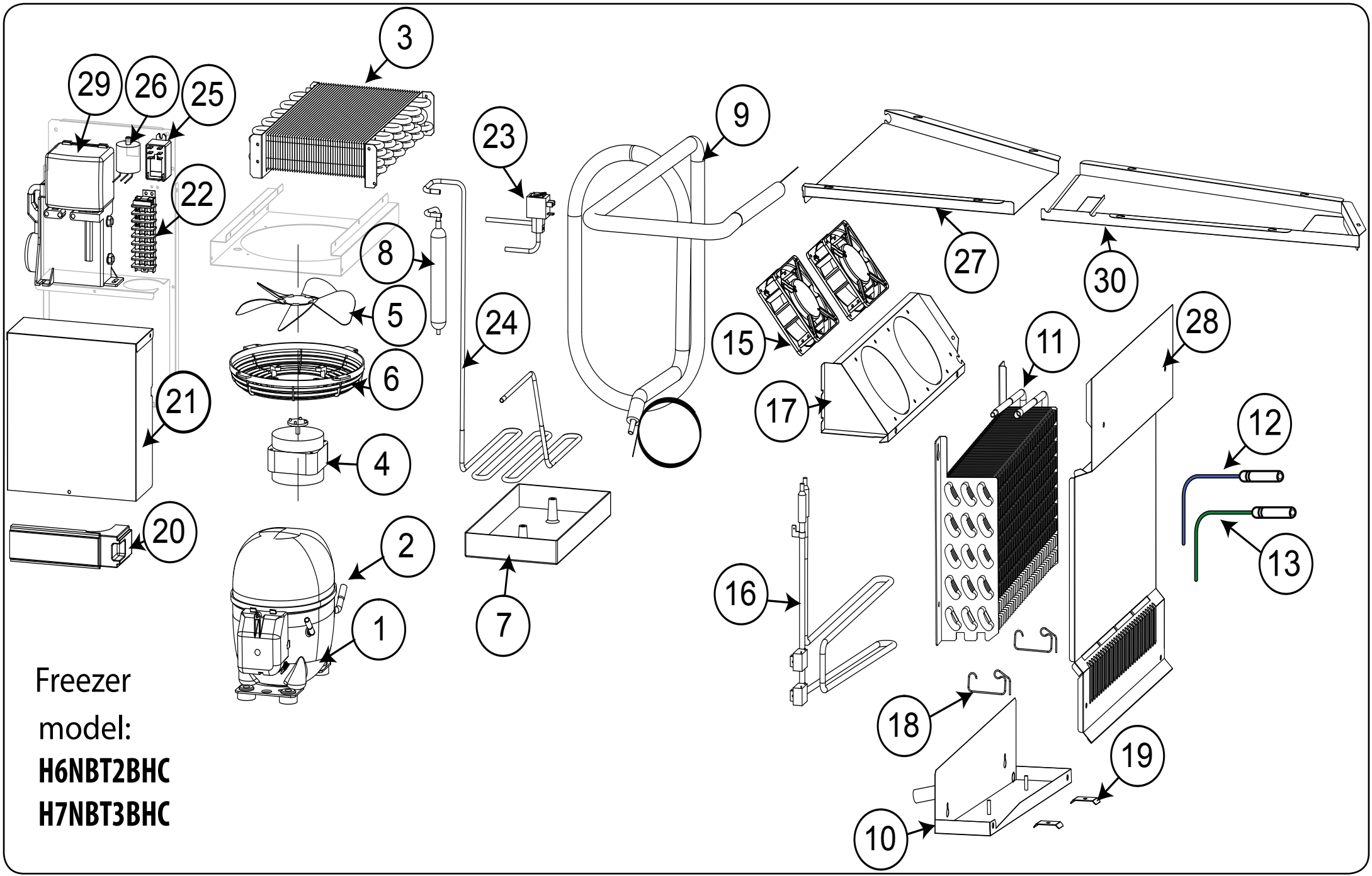


MODEL= H6NBT3BHC



MODEL=H6NBT2BHC

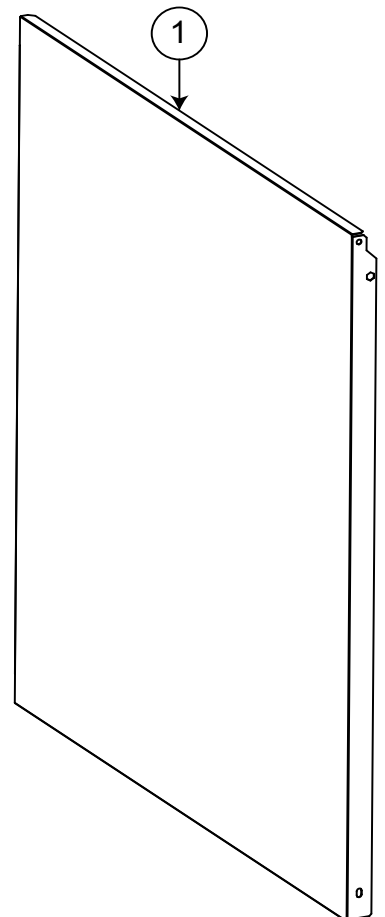
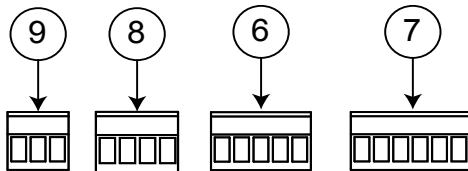
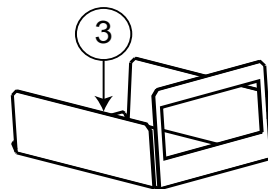
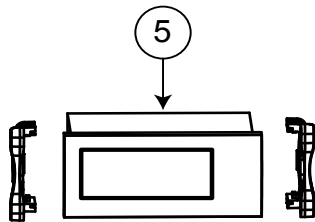
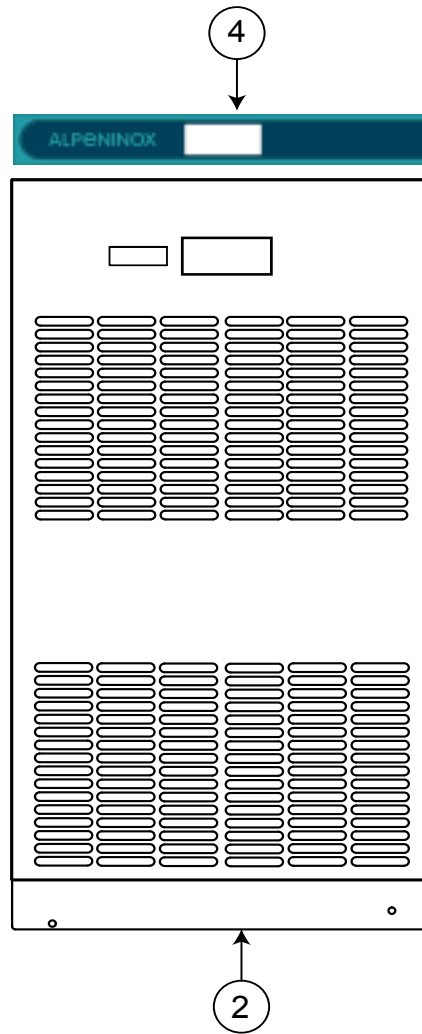
Pos	Code	Factory code	Description	Descrizione	Ref/notes
reference pag.7					
			Worktop	Top	
2		501775700	HOOK FOR TOP	GANCIO PER RIPIANO	
3	095330	505R25301	BRACKET SHELF	STAFFA PER RIPIANO	
4	095562	881R58003	WORKTOP MODULE 3C H50 "R-L"	TOP 3 VANI H 50 DX-SX	b (without S.back)
5	095564	881R52904	WORKTOP MODULE 2C H50 "R-L"	TOP 2 VANI H 50 DX-SX	a (without S.back)
6	093186	505751500	HOOK FOR TOP ON THE COUNTER	FISSAGGIO RIPIANO AL TAVOLO	
7	095367	835R57202	WORKTOP ASS. WITH S.BACK 2C "R-L"	TOP CON ALZATINA 2 VANI DX-SX	a (whit S.back)
8	095368	835R57302	WORKTOP ASSEMBLY 3C S/BACK "R-L"	TOP CON ALZATINA 3 VANI DX-SX	b (whit S.back)
9					
10					
11					
12					
13					
14					
15					
16					
17					
18					
19					
20					
21					
22					
23					
24					



Freezer
 model:
H6NBT2BHC
H7NBT3BHC

Pos	Code	Factory code	Description	Descrizione	Ref/notes
Pag. 9					
Cooling unit 2-3 comp. R290 freezer			Gruppo 2-3 vani R290 freezer		
1	094840	684R11900	COMPRESS. NEU2168U EMBRACO	COMPRESSO NEU2168U EMBRACO	
2	0A8171	A02021800	PIPE WHIT CHARGE VALVE	TUBO VALV. DI CARICA	
3	095352	830R12601	WIRING CONDENSER	CONDENSATORE FILI	
4	094487	682R08700	CONDENSER FAN MOTOR	VENTILATORE 10 220-240V 50/60HZ	
5	082874	511701900	FAN CONDENSER	VENTOLA ASP.A200-34 4012201	
6	089770	546709600	PROTECTION FAN CONDENSER	GRIGLIA SUPP.MOTOVENT.	
7	084585	549727300	CONDENSER WATER BASIN	BACINELLA RACC.CONDENSEA	
8	084078	805729802	DEHYDRATOR FILTER	FILTRO GR.40 D 24	
9	095298	858R15600	HEAT EXCHANGER	ASS. SCAMBIATORE PIEGATO	
10	095362	502R93301	WATER COLLECTOR BASIN	BACINELLA EVAPORATORE	
11	095665	830R15002	EVAPORATOR	EVAPORATORE	
12	092175	646R06900	BLUE PROBE CELL	SONDA 6X20 BLU 'CELL' L=3000	
13	092179	646R07700	GREEN PROBE EVAP.	SONDA 6X40 VERDE 'DEF' L=3000	
15	095315	682R10700	EVAP FAN	VENTILATORE EVAPORATORE	
16	095648	856R29700	ARMOURED HEATER FREEZER "L"	RESISTENZA DI SBRINAMENTO BT	
17	095359	503R01203	FANS SUPPORT EVAPORATOR	SUPPORTO VENTILATORI CELLA	
18		514R27800	SPRING RETAINING HEATER	MOLLA FIX. RESISTENZA TAV NGC TN	
19	095282	503R29200	ARMOURED HEATER FIXING BRACK.	STAFFE DI FISSAGGIO RESISTENZA	
20	095225	569R09502	EPS INSULATING BLOCK	ISOLAMENTO PER SCAMBIATORE	
21	095354	503R29102	ELECTRIC BOX COVER	PROTEZIONE IMPIANTO ELETTRICO	
22	095666	639R16600	MAIN TERMINAL BLOCK	MORSETTIERA	
23	094435	646R10502	SOLENOID VALVE EVR	ELETTROVALVOLA PARKER	
24	095357	515R33701	PIPE FROM COMP. TO CONDENS.	TUBO DA COND A COMPR TAV TN	
25	095281	648R08400	RELAY	RELÈ'	
26	092257	0694R00501	EMC FILTER	FILTRO ANTIDIST.	
27	095299	503R24200	AIR CONVEYOR BT HP "L" A304	CONVOGLIATORE ARIA FREEZER	
28		503R72000	EVAPORATOR COVER FREEZER	COPERTURA EVAPORATORE FREEZ.	
29		*	ELECTRICAL BOX COMPRESSOR	SCATOLA BOX COMPRESSORE	
30		0503R38400	END PART AIR CONVEYOR	PARTE FINALE DEL CONVOGLIATORE	
43					

Concept line range



MODEL=H6NBT2BHC
H6NBT3BHC

Pos	Code	Factory code	Description	Descrizione	Ref/notes
reference pag.11					
Control panel			Pannello di controllo		
1		503R63800	EXTERNAL SIDE PANEL H700 HP	PANNELLO ESTERNO HP	
2		509R22901	CTRL PANEL CL H700 FZ	PANNELLO CONTROLLO CL FREEZER	
3	095565	503R68400	IR33 COVER COUNTERS C.L.	PROTEZIONE TERMOREGOLATORE	
4	095667	755R14500	STICKER CONT. CL FR IR33 APX L-R	MEMBRANA APX BT IR33 CL	
5	093434	646R11101	TERMOREGOLAT. CAREL IR33	TERMOREGOLAT. CAREL IR33	
6	*	0639725900	CONNECTOR MSTB 2.5/5 ST PASSO 5	CONETTORE PASS.5 MSTB 2.5/5 ST	
7	095244	639723400	CONNECTOR MSTB 2.5/6 ST PASSO 5	CONETTORE PASS.5 MSTB 2.5/6 ST	
8	091682	639R04400	CONNECTOR MSTB 2.5/4 ST PASSO 5	CONETTORE PASS.5 MSTB 2.5/4 ST	
9	088998	639722900	CONNECTOR MSTB 2.5/3 ST PASSO 5	CONETTORE PASS.5 MSTB 2.5/3 ST	
*	092134	147017028	NEOPRENE	NEOPRENE ESP.CELL.CHIUSE 8X10	