

**HORIZONTAL COUNTERS  
 TAVOLI ORIZZONTALI**


---

# ECOSTORE CL h650

## Right side cooling unit

Type reference	Ref	Page	Description	Brand
H6FTN2B	a	3 to 12	Counter 2 compartments refrigerated	all
H6FTN3B	b	3 to 12	Counter 3 compartments refrigerated	all
H6FTN4B	c	3 to 12	Counter 4 compartments refrigerated	all

**Index**

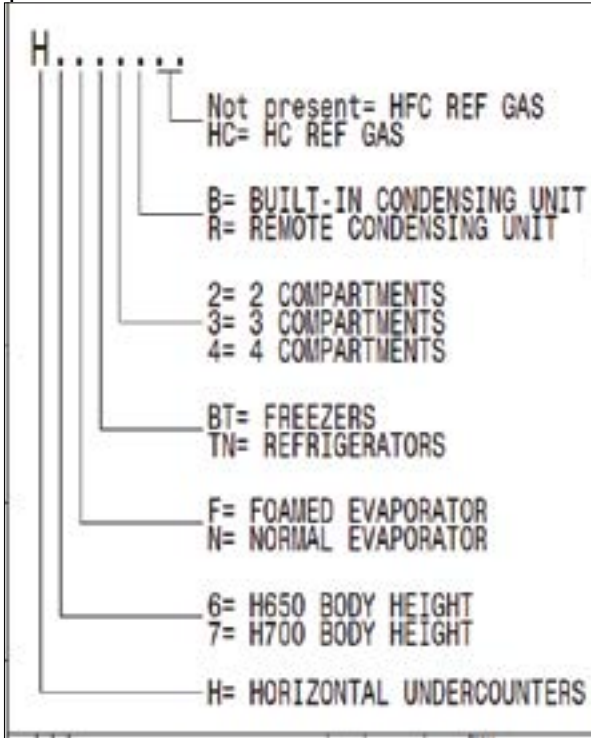
	<b>Page</b>
Identification Type Ref./Identificazione type Ref.	2
Body module/corpo armadio	3
Spare part list/Lista ricambi	4
Door and drawers/ Porte e cassetti	5
Spare part list/Lista ricambi	6
Top/Ripiano	7
Spare part list/Lista ricambi	8
Control panel/Pannello di controllo	9
Spare part list/Lista ricambi	10
Cooling unit Refrig. /Gruppo Refrigerato	11
Spare part list/Lista ricambi	12

...Bold= last change/Grassetto =ultima modifica

## How to put in relation the “Type Ref.” reported on the data plate with the “Type reference” reported on the front page of the Spare Part Catalogue:

The “Type Ref.” represents a group of models/brands all with similar technical features, hence possible to be reported under the same scheme in terms of exploded views.

Find below an identification example: **H7NTN2BHC**



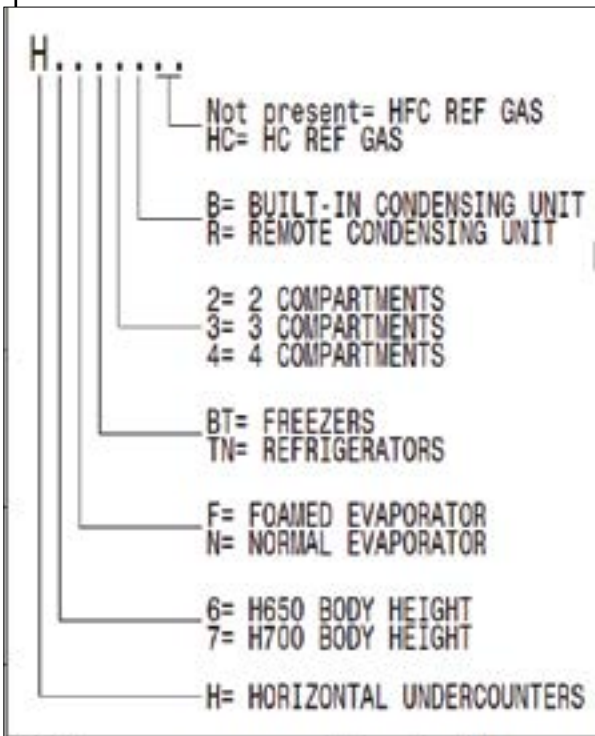
F. Mod. EH2H7AA	Comm. Mod. EH2H7AA	Type Ref. <b>H7NTN2BHC</b>	2017
PNC 9V7X 710000 00	Ser. No. 70810001	Cyclopentane	
W Tot. 0.25 kW	Volt 220-240 V	1 - 50 Hz	Total Current 1.9 A
Potenza Sbrinatorio / Defrost Power	0.29 kW	Classe/Class 5	GWP 3 CO2-eq 0
Resistenza Evaporazione/Evaporation Heater El.	kW	Refrigerante / Refrigerant R290	0,07 kg
Illuminazione / Lighting	W	Cap. 240	MADE IN ITALY
NF nominal Charge			
Rated Pressure	MPa		
IP21			
Electrolux Professional SpA - Viale Treviso, 15 - 33170 Pordenone (Italy)			

For the right spare code identification follow the steps:

1. type in the website the PNC reported on the data plate.
2. The website will automatically display this spare part catalogue.
3. The spare part code at this point is referenced through the “Type reference” as from the front page by the relevant “Ref”.

## Come mettere in relazione il “Type Ref.” Riportato sulla targhetta caratteristica con il “Type reference” riportato sul frontespizio del catalogo ricambi:

Il “Type Ref.” Rappresenta un gruppo di modelli/marchi con simili caratteristiche tecniche, ossia possibili da rappresentare con il medesimo schema in termini di vista esplosa.

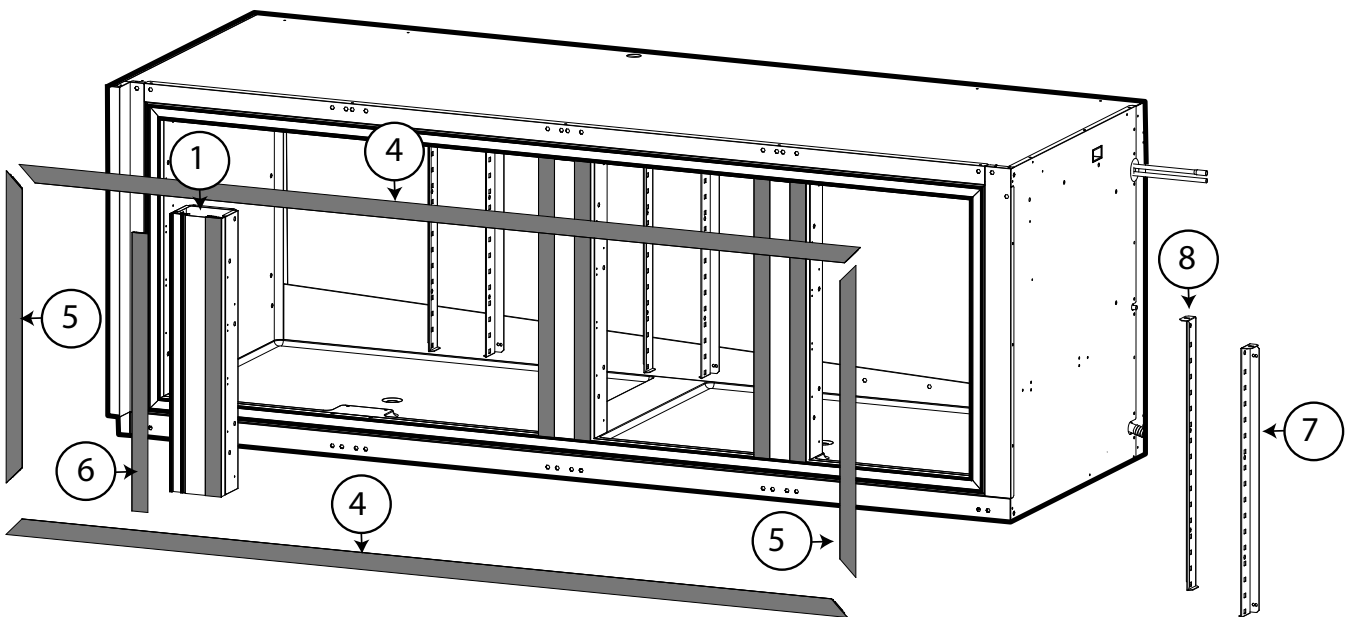
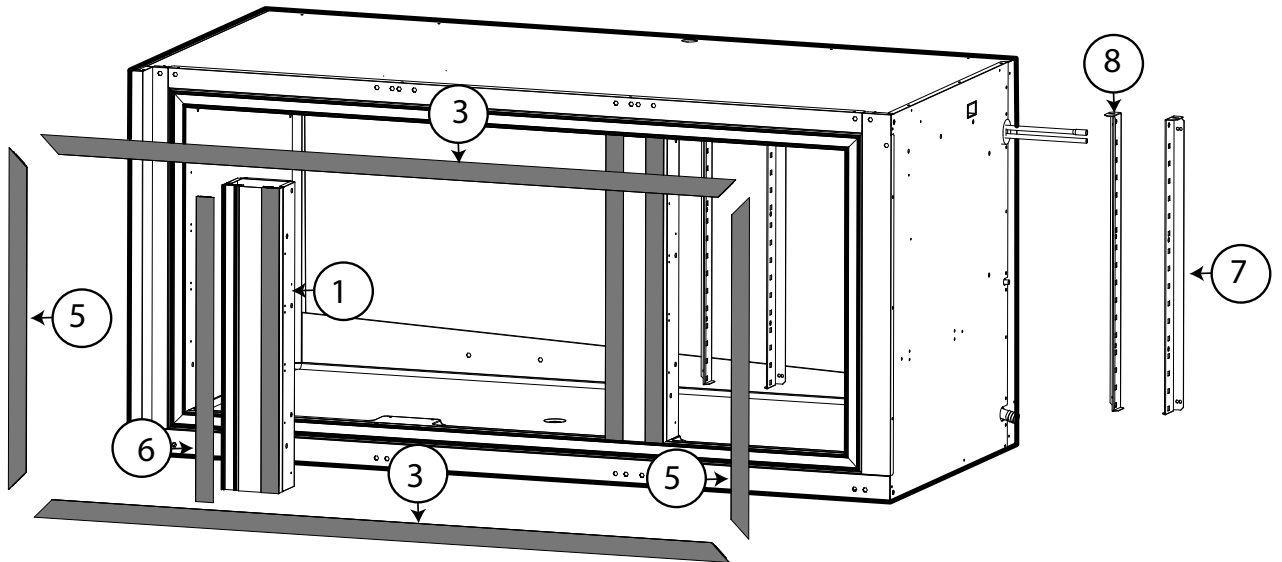
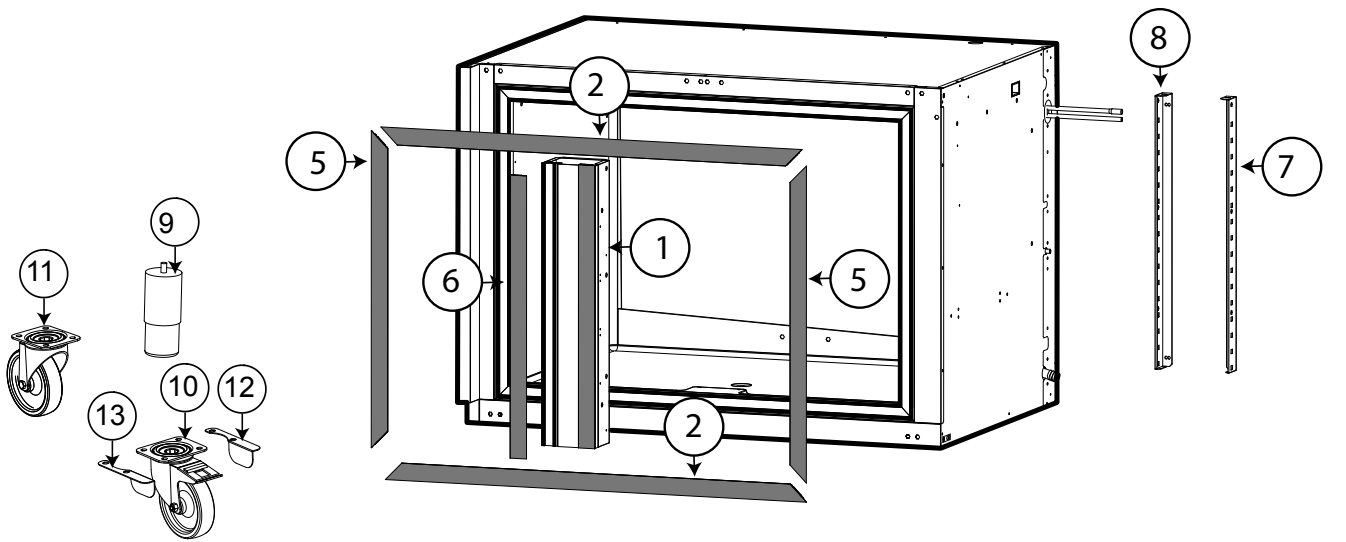


Qui di seguito un esempio di identificazione: **H7NTN2BHC**

F. Mod. EH2H7AA	Comm. Mod. EH2H7AA	Type Ref. <b>H7NTN2BHC</b>	2017
PNC 9V7X 710000 00	Ser. No. 70810001	Cyclopentane	
W Tot. 0.25 kW	Volt 220-240 V	1 - 50 Hz	Total Current 1.9 A
Potenza Sbrinatorio / Defrost Power	0.29 kW	Classe/Class 5	GWP 3 CO2-eq 0
Resistenza Evaporazione/Evaporation Heater El.	kW	Refrigerante / Refrigerant R290	0,07 kg
Illuminazione / Lighting	W	Cap. 240	MADE IN ITALY
NF nominal Charge			
Rated Pressure	MPa		
IP21			
Electrolux Professional SpA - Viale Treviso, 15 - 33170 Pordenone (Italy)			

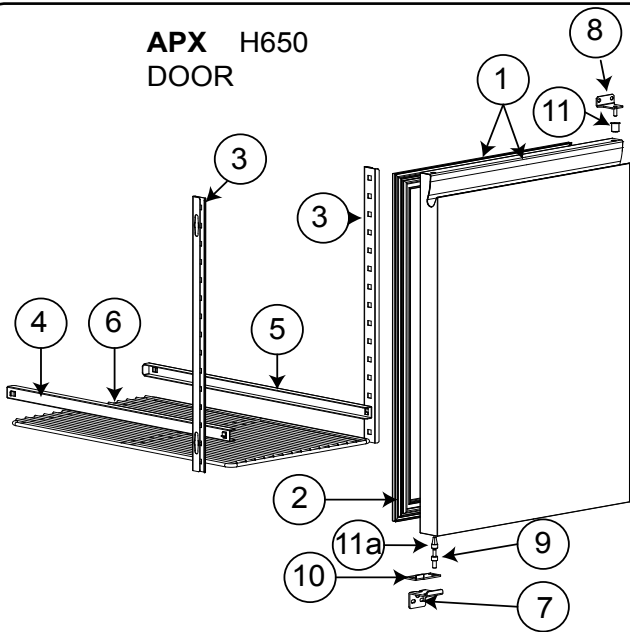
**Per identificare il corretto codice ricambio procedere con:**

1. Digitare nel website il PNC riportato sulla targhetta caratteristica.
2. Il website mostrerà automaticamente questo catalogo ricambi.
3. A questo punto, il codice ricambio è identificabile attraverso il “Type reference” come indicato nel frontespizio sotto la relativa voce “Ref”.

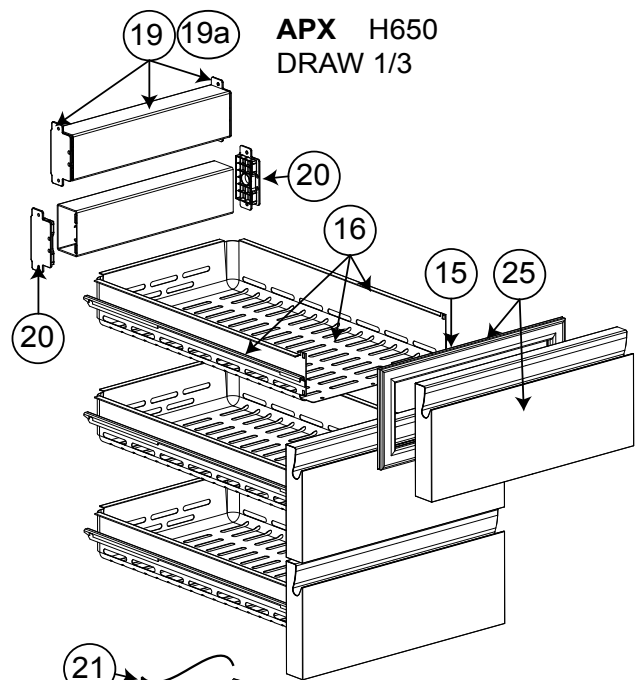




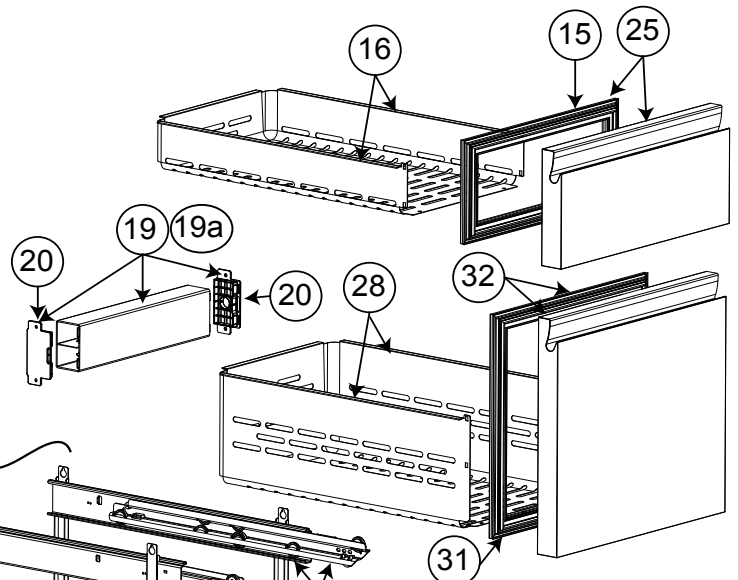
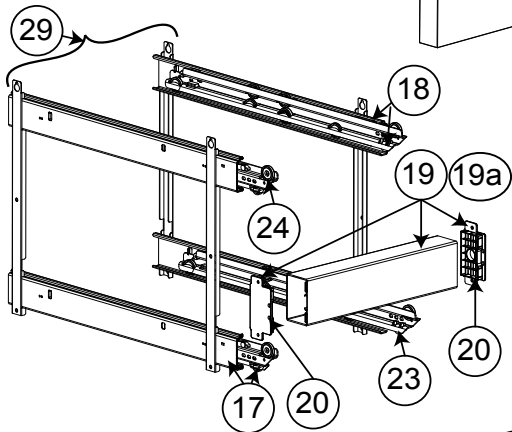
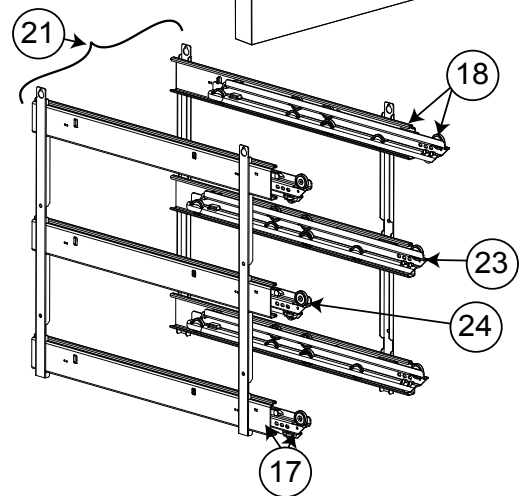
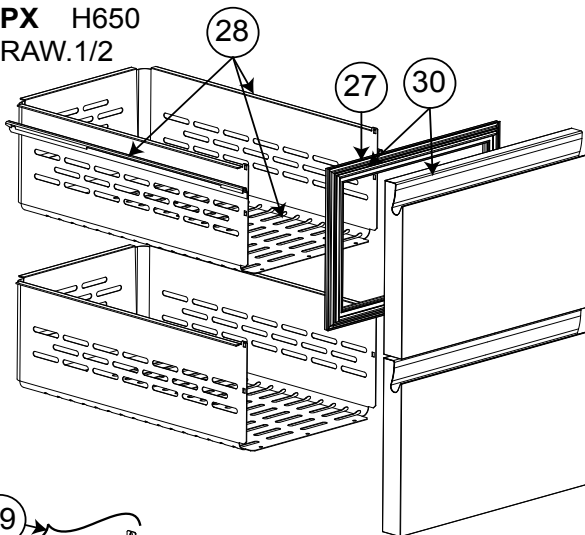
**APX H650  
DOOR**



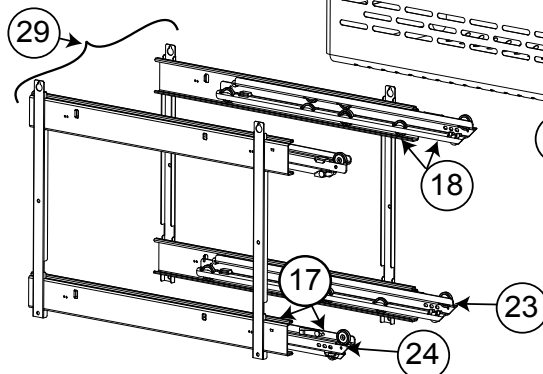
**APX H650  
DRAW 1/3**



**APX H650  
DRAW.1/2**

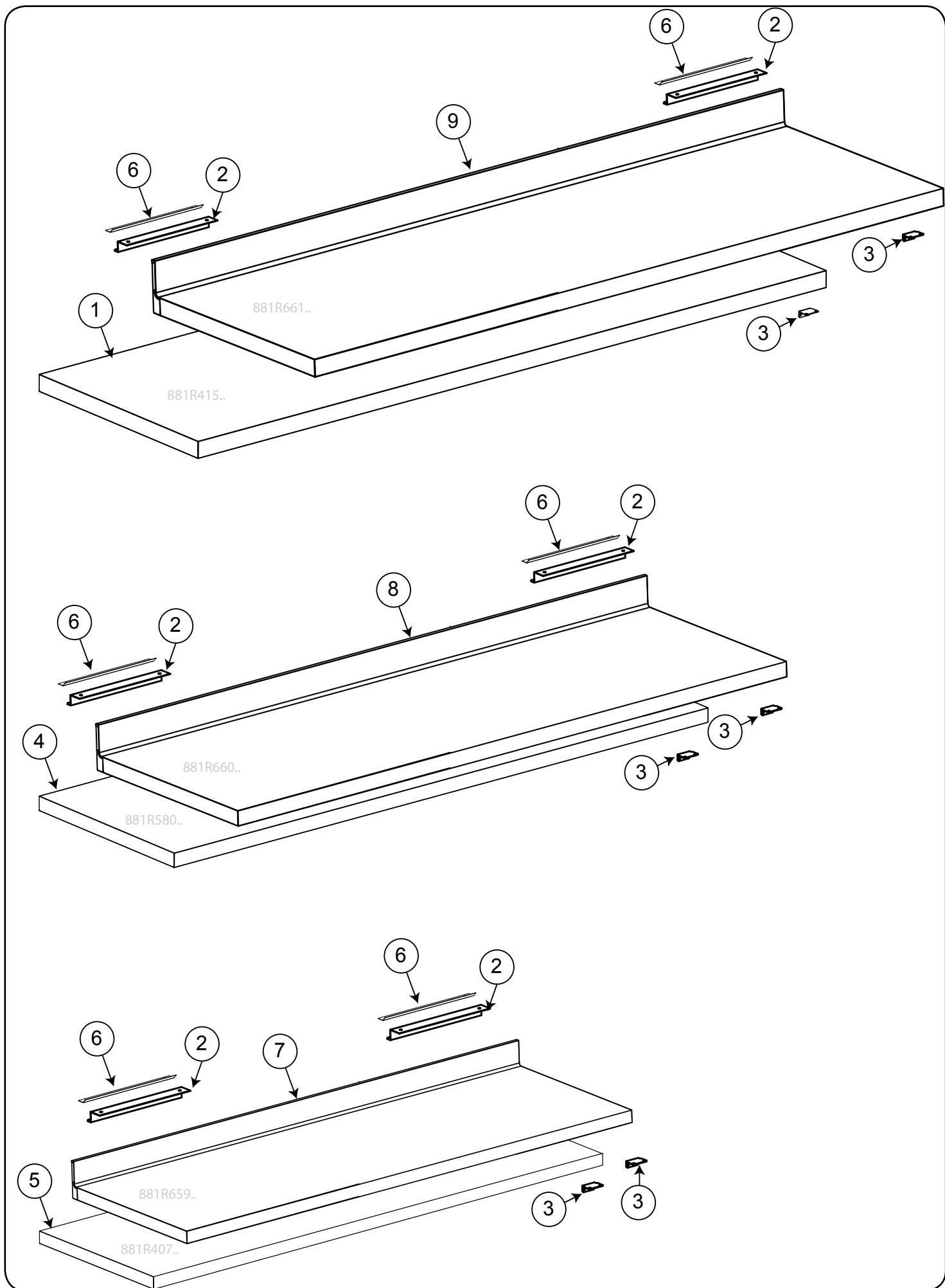


**APX H650  
BOTTLE DRAW.**

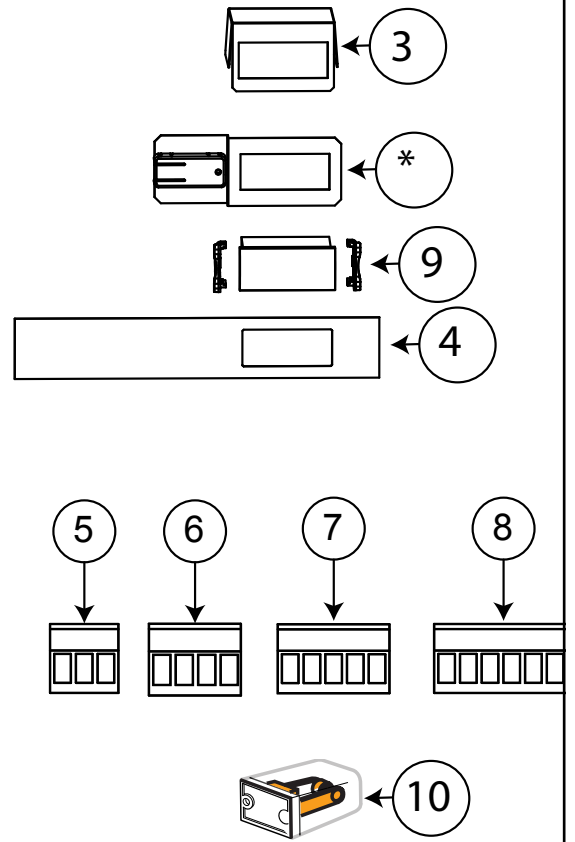
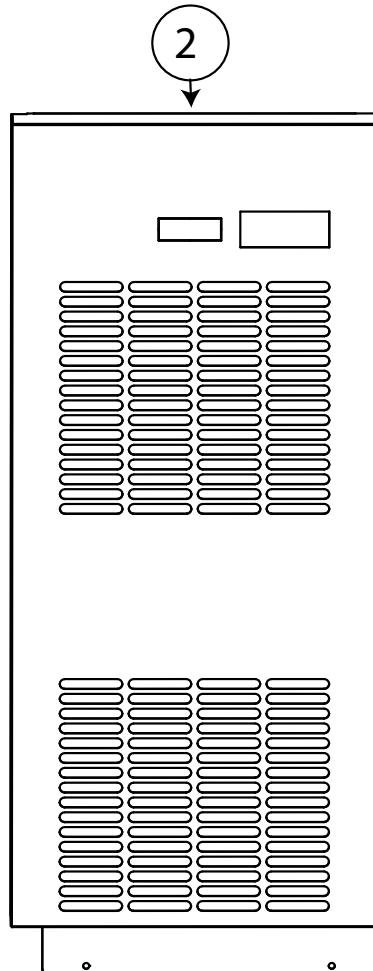
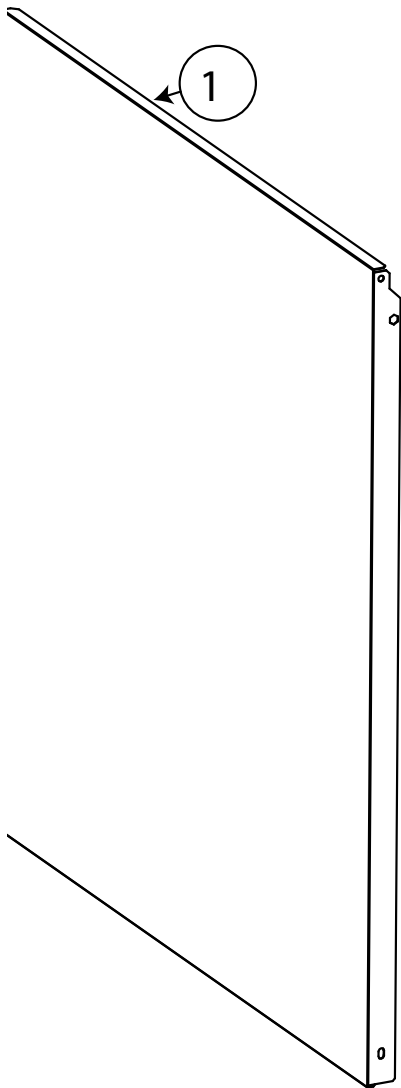


Pos	Code	Factory code	Description	Descrizione	Ref/notes
reference pag. 5					
Doors and Drawers			Porta e Cassetti		
1	095832	0835R63801	FOAMED D. ASSEMBLY H700 apx/zan	PORTA SCHIU. CON GUARNI.APX_ZAN	brand Apx_Zan
2	095657	548R11400	A886 MAGNETIC GASKET H650	GUARNIZIONE PORTA	
3	095227	503R09702	FRONT SUPPORT GRIDS H700	FRONTALE SUPPORTO GUIDE	
4	095228	502R84601	LEFT GUIDE FOR SHELF	GUIDA A "C" SX TAV NGC H700/H650	
5	095229	502R84701	RIGHT GUIDE FOR SHELF	GUIDA A "C" DX TAV NGC H700/H650	
6	095231	514R23500	SHELF	GRIGLIA RILSAN TAVOLO H650/H700	
7	095326	505R23702	LOWER HINGE H650/H700	CERNIERA INFERIORE	
8	095327	505R23803	UPPER HINGE H650/H700	CERNIERA SUPERIORE	
9	087667	514746701	PIN FOR DOOR	PERNO PER CERNIERA INFERIORE	
10	089146	800735200	DOOR OPENING END COURSE	PIASTRINA FERMO BATTUTA PORTA	
11	081807	549700000	UPPER DOOR BUSH	BOCCOLA X CERNIERA SUPERIORE	
11a	087955	549703000	LOWER DOOR BUSH	BOCCOLA X CERNIERA INFERIORE	
15	095654	548R13200	GASKET DRAWER 1/3	GUARNIZ.CASS.1/3 TAV NGC H700	
16		833R40801	1/3 DRAW+GUIDES (WITHOUT FRONTAL)	ASS.INVOLUCRO CASSETTO+GUIDE	
17	095266	832R23200	LEFT SUPPORT DRAWERS	CARRELLO SX PER MOD.CASSETTI	
18	095267	832R23300	RIGHT SUPPORT DRAWERS	CARRELLO DX PER MOD.CASSETTI	
19	095365	875R33501	CROSSBEAM ASSEMBLY - DRAWERS	TRAVERSA CASSETTO 1/ E 1/2 TN	only refrigerated
19a	095366	835R53802	FOAM PILLAR ASS. - DRAWERS	TRAVERSA CASSETTO 1/ E 1/2 BT	only freezer
20	095552	543R18901	PLASTIC PILLAR PLUG RIGHT/LEFT	TAPPO TRAVERSA DX E SX	only refrigerated
21		833R41000	1/3 SUPPORT +GUIDE ASSEMBLY	SUPPORTO TELAIO DX E SX CASS.1/3	
23	095267	832R23300	RIGHT SLIDING GUIDE	GUIDA SCORREVOLE DX	
24	095266	832R23200	LEFT SLIDING GUIDE	GUIDA SCORREVOLE SX	
25		835R64000	FOAMED FRONT DRAW. 1/3 APX	ASS.CASS.1/3 SCHIUMATO	(+GASKET)
27	095655	548R13100	GASKET DRAWER 1/2	GUARNIZ.CASS.1/2 TAV NGC H700	
28	<b>095873</b>	<b>833R40700</b>	<b>1/2 DRAW+GUIDES (WITHOUT FRONTAL)</b>	<b>INVOLUCRO CON GUIDE</b>	
29		833R40900	1/2 SUPPORT +GUIDE ASSEMBLY	SUPP. TELAIO DX E SX CASS.1/2-2/3	
30	095833	835R63901	FOAMED FRONT DRAW. 1/2 APX	ASS.CASS.1/2 SCHIUM. APX	(+GASKET)
31	095656	548R13700	GASKET DRAWER 2/3	GUARNIZ.CASS.2/3 TAV NGC H650	
32		835R67000	2/3 FOAMED DRAWER ASSEMBY H650	ASS.CASS.2/3 SCHIUM. APX	
33					
36					

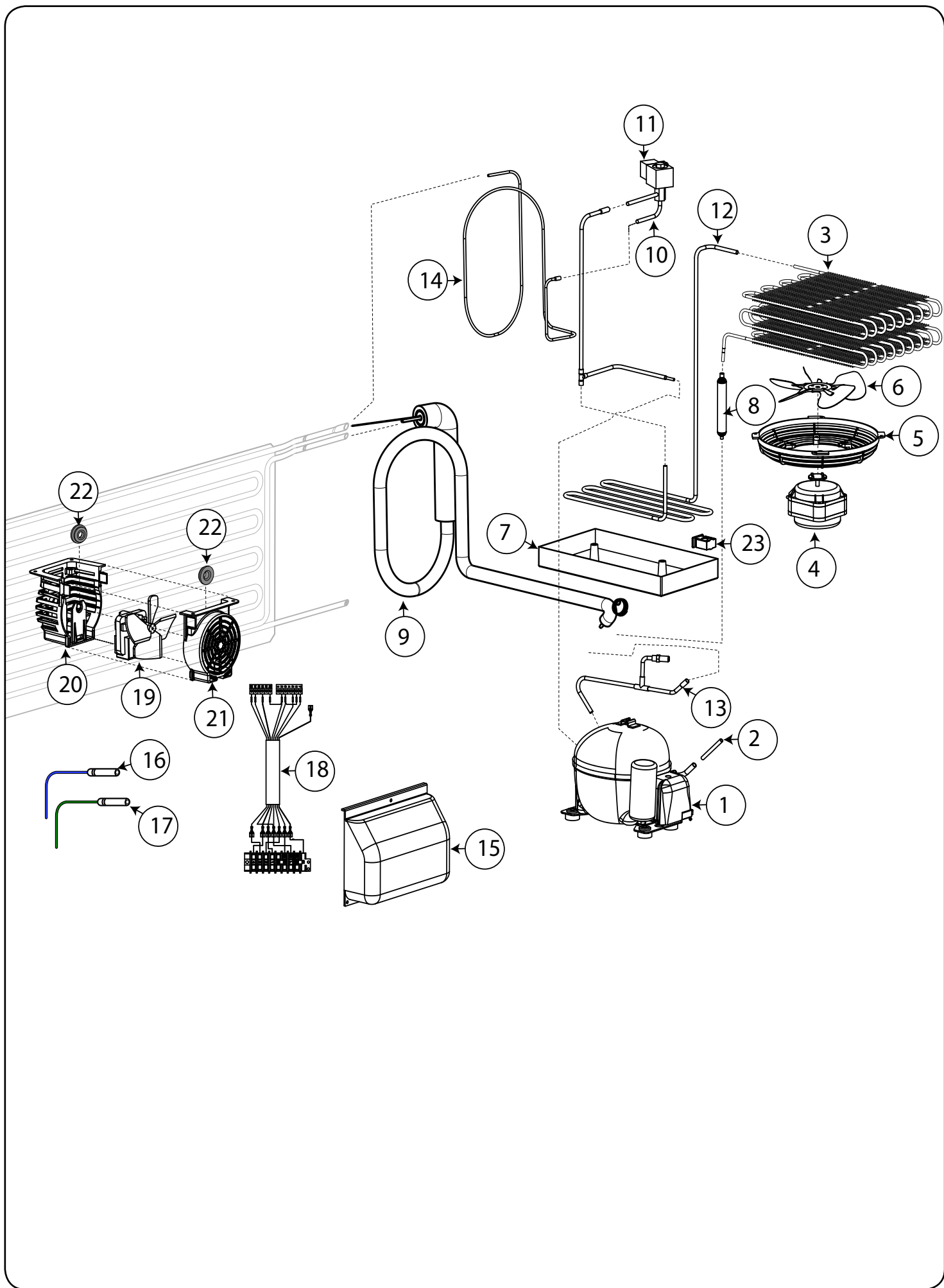
\* = On demand



Pos	Code	Factory code	Description	Descrizione	Ref/notes
reference pag.7					
			Worktop	Top	
1		835R62400	WORKTOP MODULE 4C H50	TOP 4 VANI H 50	c (without S.back)
2		501775700	HOOK FOR TOP	GANCIO PER RIPIANO	
3	095330	505R25301	BRACKET SHELF	STAFFA PER RIPIANO	
4		835R62300	WORKTOP MODULE 3C H50	TOP 3 VANI H 50	b (without S.back)
5		835R62200	WORKTOP MODULE 2C H50	TOP 2 VANI H 50	a (without S.back)
6	093186	505751500	HOOK FOR TOP ON THE COUNTER	FISSAGGIO RIPIANO AL TAVOLO	
7		835R62500	WORKTOP ASS. WITH S.BACK 2C	TOP CON ALZATINA 2 VANI DX	a (whit S.back)
8		835R62600	WORKTOP ASSEMBLY 3C S/BACK	TOP CON ALZATINA 3 VANI DX	b (whit S.back)
9		835R62700	WORKTOP ASS. WITH S.BACK 4C	TOP CON ALZATINA 4 VANI DX	c (whit S.back)
10					
11					
12					
13					
14					
15					
16					
17					
18					
19					
20					
21					
22					
23					
24					



Pos	Code	Factory code	Description	Descrizione	Ref/notes
reference pag.9					
Control panel			Pannello di controllo		
1		0503R63800	EXTERNAL SIDE PANEL CL H650	PANNELLO ESTERNO	
2		0509R22401	CTRL PANEL APX GLUED IR33 "L"	PANNELLO CONTROLLO APX	
3	095565	0503R68400	IR33 COVER COUNTERS C.L.	COPERTURA CONTROLLORE	
4	095634	0755R14200	ADHESIVE DECOR C.L APX	MASCHERINA SERIGRAFATA APX	
5	088998	0639722900	CONNECTOR MSTB 2.5/3 ST PASSO 5	CONETTORE PASS.5 MSTB 2.5/3 ST	
6	091682	0639R04400	CONNECTOR MSTB 2.5/4 ST PASSO 5	CONETTORE PASS.5 MSTB 2.5/4 ST	
7	*	0639725900	CONNECTOR MSTB 2.5/5 ST PASSO 5	CONETTORE PASS.5 MSTB 2.5/5 ST	
8	095244	0639723400	CONNECTOR MSTB 2.5/6 ST PASSO 5	CONETTORE PASS.5 MSTB 2.5/6 ST	
9	093532	0646R10803	TERMOREGOLAT. IR33 IMEL1J0559	CONTROLLORE IR33	3 relè
10	088197	0648725400	RELE' 62.83.8.230 16A/400V 3 SCAMBI	RELE' 62.83.8.230 16A/400V 3 SCAMBI	Used on drawer only
8	095244	0639723400	CONNECTOR MSTB 2.5/6 ST PASSO 5	CONETTORE PASS.5 MSTB 2.5/6 ST	
9	093532	0646R10803	TERMOREGOLAT. IR33 IMEL1J0559	CONTROLLORE IR33	3 relè
10	088197	0648725400	RELE' 62.83.8.230 16A/400V 3 SCAMBI	RELE' 62.83.8.230 16A/400V 3 SCAMBI	Used on drawer only
11					
12					
13					
14					
15					
16					
17					
18					
19					
20					
21					
22					
23					
24					



Pos	Code	Factory code	Description	Descrizione	Ref/notes
<b>Pag. 11</b>					
<b>Cooling unit 2-3-4 comp. R134a refrigerated</b>			<b>Gruppo 2-3-4 vani R134a refrigerato</b>		
1	093207	0684R05200	COMPR_EMT6160Z	COMPRESS. EMT6160Z	
2		0515R29500	CONNECTION CLOSING TUBE	TUBO DI CHIUSUR .TUBO DI SERVIZIO	
3	095271	0830R11103	WIRING CONDENSER	CONDENSATORE FILI	
4	095625	0682R09800	CONDENSER FAN MOTOR	VENTILATORE 220-240V 50/60HZ 24W	a,b (2 and 3 comp.)
4	094184	0682R07700	CONDENSER FAN MOTOR	VENTILATORE 220-240V 50/60HZ 40W	c (4 comp)
5	089770	0546709600	PROTECTION FAN CONDENSER	GRIGLIA SUPP.MOTOVENT.DIAM.200	
6	095626	0511R02000	FAN CONDENSER 172/27°	VENTOLA ASP.Ø172/27°	a,b (2 and 3 comp.)
6	094955	0511R01900	FAN CONDENSER 200/34°	VENTOLA ASP.Ø200/34°	c (4 comp)
7	084585	0549727300	CONDENSER WATER BASIN	BACINELLA RACC.CONDENSEA	
8	099949	0858R00100	DEHYDRATOR FILTER	FILTRO GR.15 2 VIE FORI DIAM.2,5-5,0	
9	095628	0858R16200	HEAT EXCHANGER	ASS. SCAMBIATORE PIEGATO	a,b (2 and 3 comp.)
9		0858R16800	HEAT EXCHANGER	ASS. SCAMBIATORE PIEGATO	c (4 comp)
10	087694	0646735000	BODY SOLENOID VALVE EVR	CORPO VALVOLA SOLENOIDE EVR	
11	085847	0646729100	SOLENOID VALVE EVR	ELETTROVALVOLA PARKER	
12	<b>095844</b>	<b>0515R32701</b>	<b>SERPENTINE PIPE</b>	<b>TUBO DA COND A COMPR TAV TN</b>	
13	094744	0515R29400	HEAT EXCHANGER EXTENSION TUBE	TUBO DI RICARICA	
14		0515R37000	PIPE (HOT GAS) TO EVAPORATOR	HOT GAS PIPE	
15	095275	0546R36901	PLASTIC ELECTRIC BOX	COPERTURA BOX ELETTRICO	
16	092175	0646R06900	BLUE PROBE CELL	SONDA 6X20 BLU 'CELL' L=3000	
17	092179	0646R07700	GREEN PROBE EVAP.	SONDA 6X40 VERDE 'DEF' L=3000	
18		0856R30000	MAIN TERMINAL BLOCK +WIRING	MORSETTIERA + CABLAGGIO	
19	093037	0682721102	CELL FAN	VENTILATORE CELLA	
20		0546R39202	NGC GLUED EVAP - FAN SUPPORT	SUPPORTO VENTILATORE CELLA	
21		0546R39101	NGC GLUED EVAP - FAN COVER	COPERTURA VENTILATORE CELLA	
22	0A8719	0541706000	FAN RUBBER	GOMMINI PER VENT	
23		0639719400	STOPPER	FERMA CAVO	
24					
25					
26					