

HORIZONTAL COUNTERS  
TAVOLI ORIZZONTALI

**ECOSTORE CL & BL H650**  
**Right side cooling unit**

Type reference	Ref	Page	Description	Brand
H6FTN2BHC	a	3 to 14	Counter 2 compartments refrigerated R290	all
H6FTN3BHC	b	3 to 14	Counter 3 compartments refrigerated R290	all
H6FTN4BHC	c	3 to 14	Counter 4 compartments refrigerated R290	all
H6FTN2B	d	3 to 14	Counter 2 compartments refrigerated	all
H6FTN3B	e	3 to 14	Counter 3 compartments refrigerated	all
H6FTN4B	f	3 to 14	Counter 4 compartments refrigerated	all

**Index**

	Page
Identification Type Ref./Identificazione type Ref.	2
Body module/corpo armadio	3
Spare part list/Lista ricambi	4
Door and drawers/ Porte e cassetti CL	5
Door and drawers/ Porte e cassetti BL	7
Spare part list/Lista ricambi	6,8
Top/Ripiano	9
Spare part list/Lista ricambi	10
Control panel/Pannello di controllo	11
Spare part list/Lista ricambi	12
Cooling unit Refrig. /Gruppo Refrigerato	13
Spare part list/Lista ricambi	14

...Bold= last change/Grassetto =ultima modifica

**CL= CONCEP LINE**  
**BL = BENEFIT LINE**

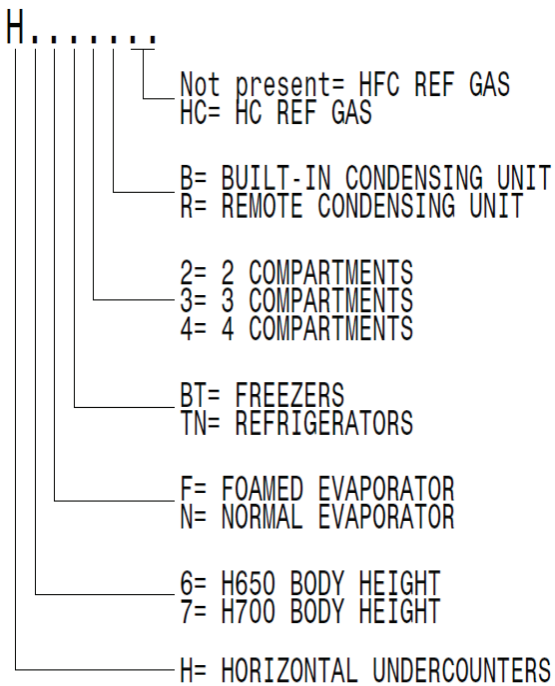
Rev. 4

From Ser. Nr.... Up to Ser. Nr....	Ed. 2017/08/02 Updated 2025/02	Page: 1	<b>Doc No:595R36500</b>
---------------------------------------	-----------------------------------	---------	-------------------------

## How to put in relation the “Type Ref.” reported on the data plate with the “Type reference” reported on the front page of the Spare Part Catalogue:

The “Type Ref.” represents a group of models/brands all with similar technical features, hence possible to be reported under the same scheme in terms of exploded views.

Find below an identification example: **H7NTN2BHC**



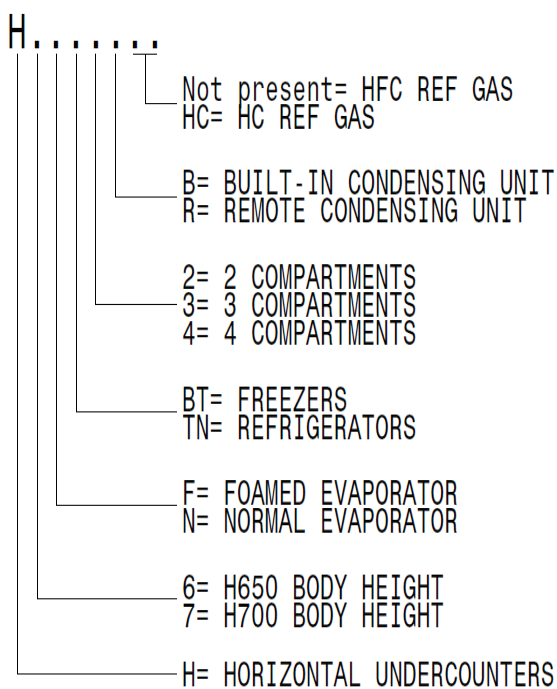
F. Mod. EH2H7AA	Comm. Mod. EH2H7AA	Type Ref. <b>H7NTN2BHC</b>	<b>2017</b>
PNC 9VTX 710000 00	Ser. No. 70810001	Cyclopentane	
W Tot. 0.25 kW	Volt 220-240 V	1 ~ 50 Hz	Total Current 1.9 A
Potenza Sbrinamento / Defrost Power	0.29 kW	Classe/Class 5	GWP 3 CO2-eq 0
Resistenza Evaporazione/Evaporation Heater El.	kW	Refrigerante / Refrigerant R290	0,07 kg.
Illuminazione / Lighting	W	Cap. 240	<b>MADE IN ITALY</b>
NF nominal Charge			
Rated Pressure	MPa		
Electrolux Professional SpA - Viale Treviso, 15 - 33170 Pordenone (Italy)			

For the right spare code identification follow the steps:

1. type in the website the PNC reported on the data plate.
2. The website will automatically display this spare part catalogue.
3. The spare part code at this point is referenced through the “Type reference” as from the front page by the relevant “Ref”.

## Come mettere in relazione il “Type Ref.” Riportato sulla targhetta caratteristica con il “Type reference” riportato sul frontespizio del catalogo ricambi:

Il “Type Ref.” Rappresenta un gruppo di modelli/marchi con simili caratteristiche tecniche, ossia possibili da rappresentare con il medesimo schema in termini di vista esplosa.

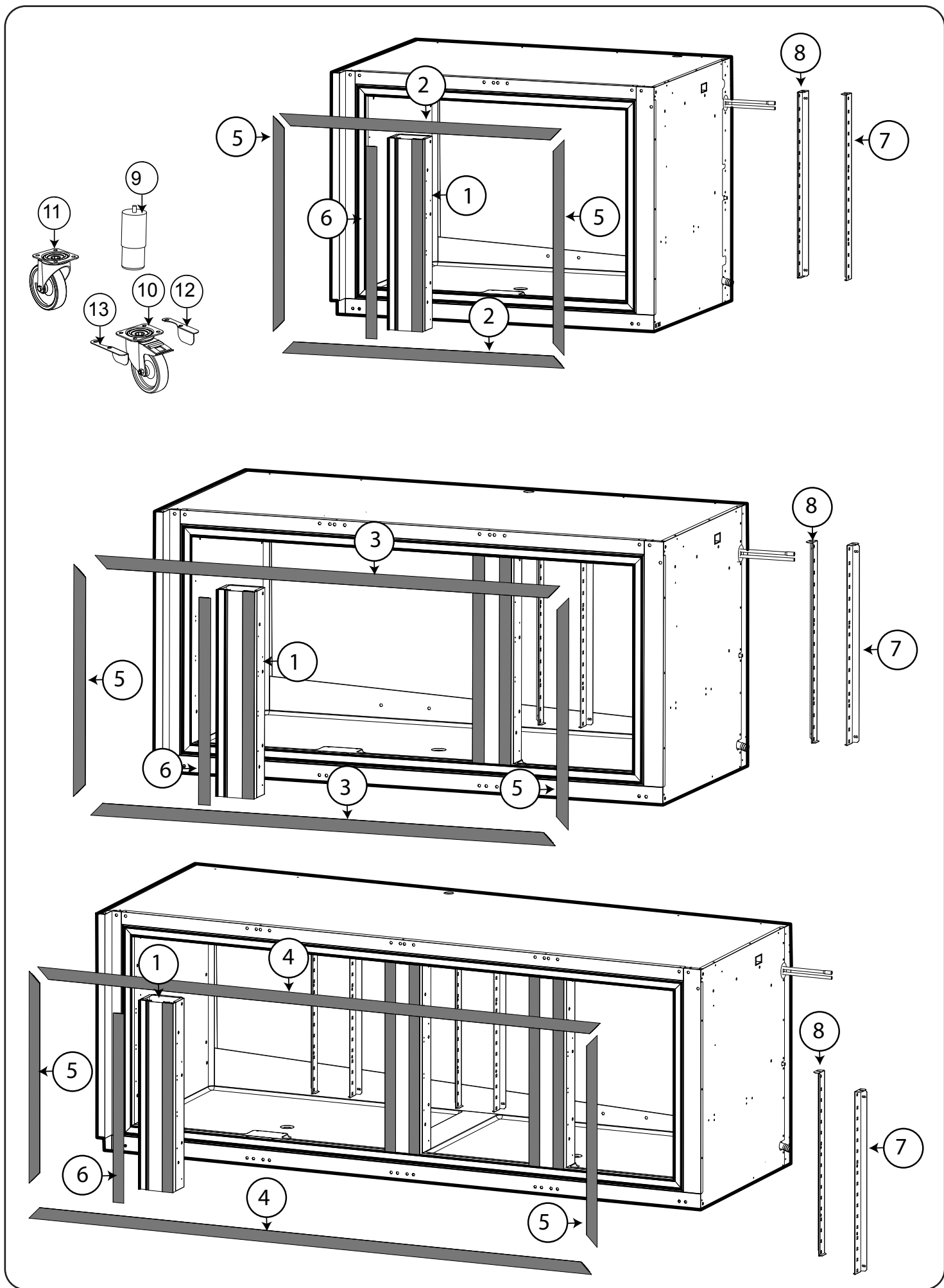


Qui di seguito un esempio di identificazione: **H7NTN2BHC**

F. Mod. EH2H7AA	Comm. Mod. EH2H7AA	Type Ref. <b>H7NTN2BHC</b>	<b>2017</b>
PNC 9VTX 710000 00	Ser. No. 70810001	Cyclopentane	
W Tot. 0.25 kW	Volt 220-240 V	1 ~ 50 Hz	Total Current 1.9 A
Potenza Sbrinamento / Defrost Power	0.29 kW	Classe/Class 5	GWP 3 CO2-eq 0
Resistenza Evaporazione/Evaporation Heater El.	kW	Refrigerante / Refrigerant R290	0,07 kg.
Illuminazione / Lighting	W	Cap. 240	<b>MADE IN ITALY</b>
NF nominal Charge			
Rated Pressure	MPa		
Electrolux Professional SpA - Viale Treviso, 15 - 33170 Pordenone (Italy)			

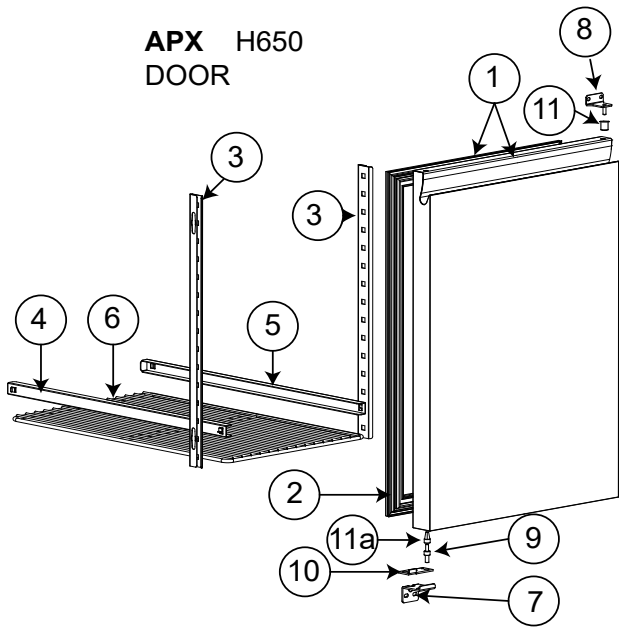
**Per identificare il corretto codice ricambio procedere con:**

1. Digitare nel website il PNC riportato sulla targhetta caratteristica.
2. Il website mostrerà automaticamente questo catalogo ricambi.
3. A questo punto, il codice ricambio è identificabile attraverso il “Type reference” come indicato nel frontespizio sotto la relativa voce “Ref”.

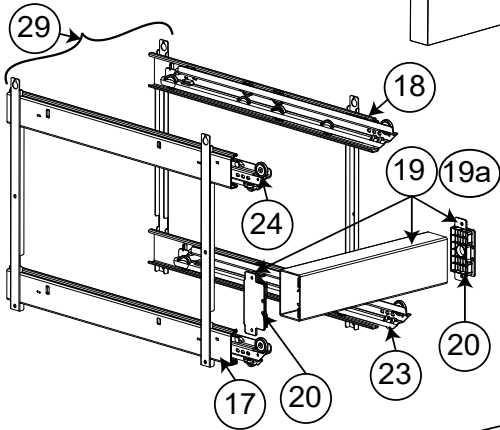
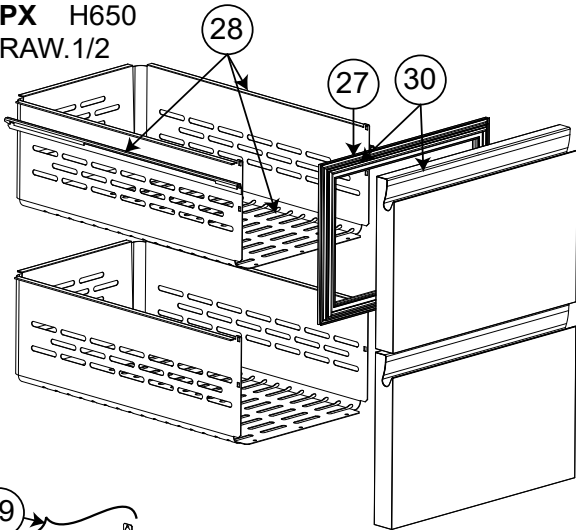




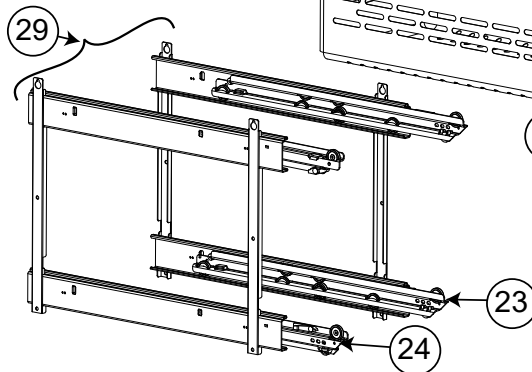
**APX H650  
DOOR**



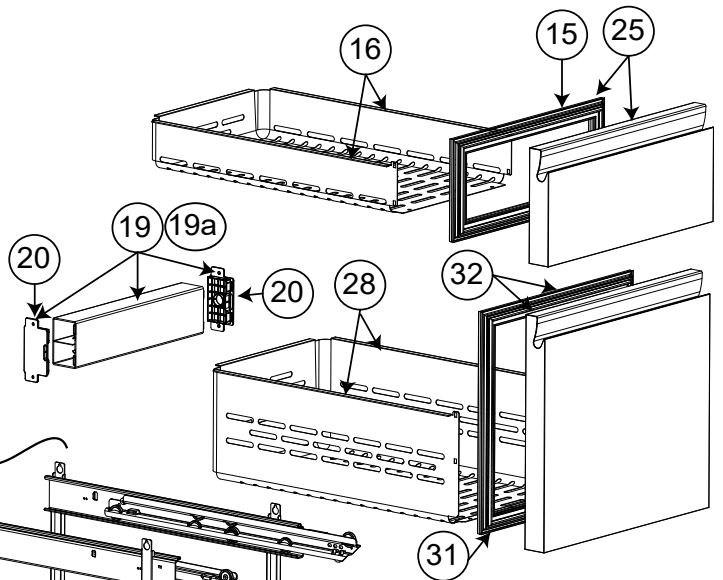
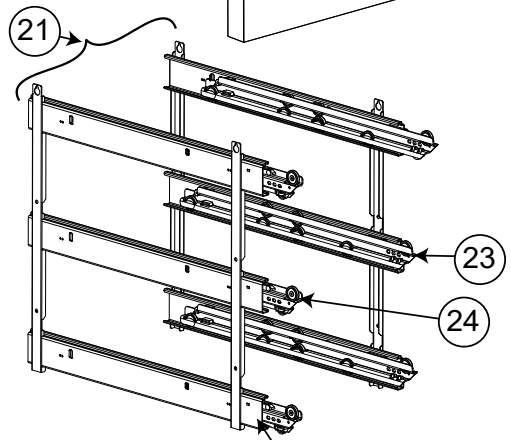
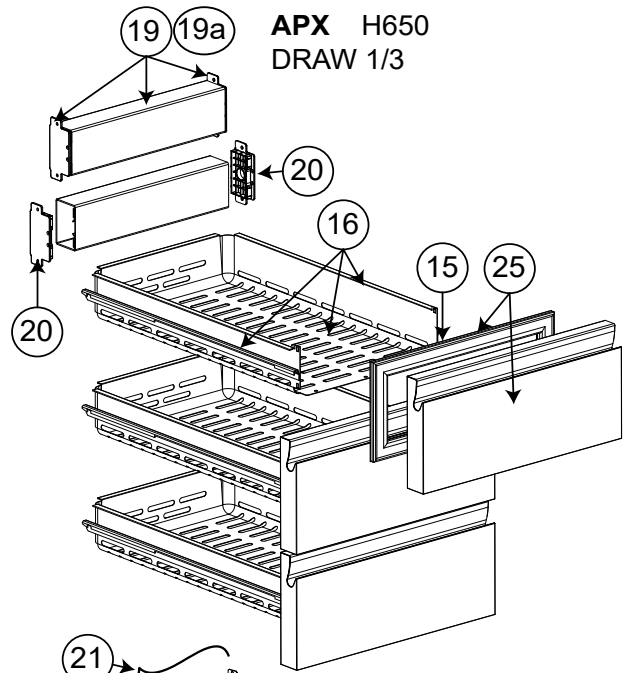
**APX H650  
DRAW.1/2**



**APX H650  
BOTTLE DRAW.**



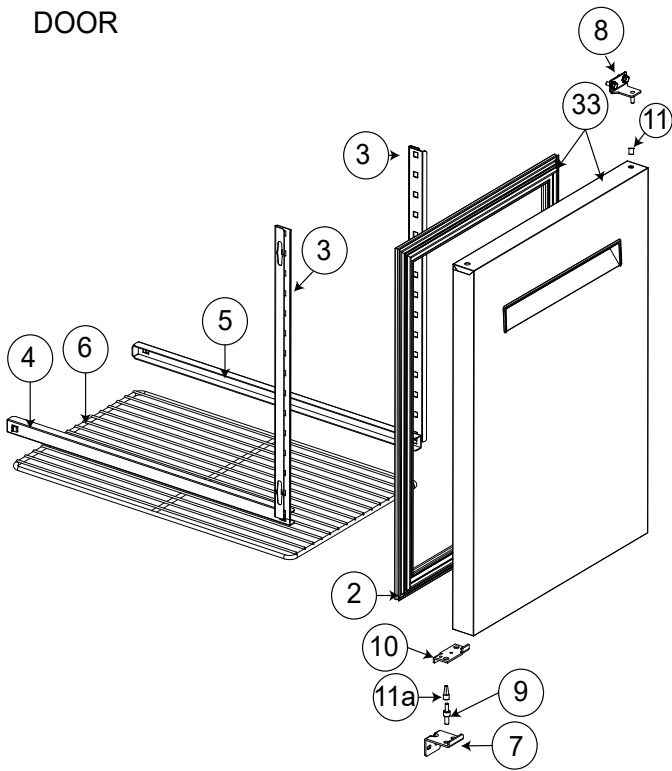
**APX H650  
DRAW 1/3**



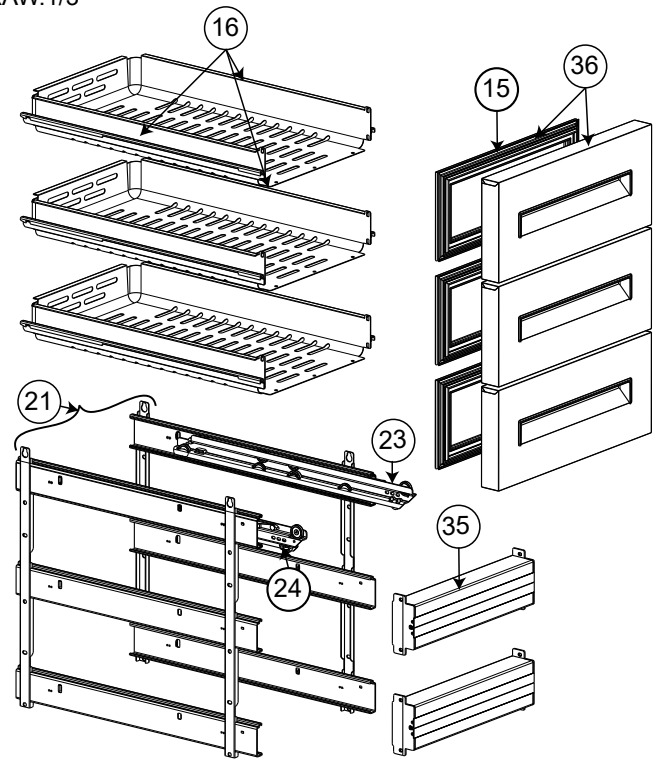
Pos	Code	Factory code	Description	Descrizione	Ref/notes
reference pag. 5-6					
<b>Doors and Drawers</b>			<b>Porta e Cassetti</b>		
1	095832	835R63802	FOAMED D. ASSEMBLY H700 apx/zan	PORTA SCHIU. CON GUARNI.APX_ZAN	CL Apx
2	095657	548R11400	MAGNETIC GASKET H650	GUARNIZIONE PORTA	
3	095227	503R09702	FRONT SUPPORT GRIDS H700	FRONTALE SUPPORTO GUIDE	
4	095228	502R84601	LEFT GUIDE FOR SHELF	GUIDA A "C" SX TAV NGC H700/H650	
5	095229	502R84701	RIGHT GUIDE FOR SHELF	GUIDA A "C" DX TAV NGC H700/H650	
6	095231	514R23500	SHELF	GRIGLIA RILSAN TAVOLO H650/H700	
7	095326	505R23702	LOWER HINGE H650/H700	CERNIERA INFERIORE	
8	095327	505R23803	UPPER HINGE H650/H700	CERNIERA SUPERIORE	
9	087667	514746701	PIN FOR DOOR	PERNO PER CERNIERA INFERIORE	
10	089146	800735200	DOOR OPENING END COURSE	PIASTRINA FERMO BATTUTA PORTA	
11	081807	549700000	UPPER DOOR BUSH	BOCCOLA X CERNIERA SUPERIORE	
11a	087955	549703000	LOWER DOOR BUSH	BOCCOLA X CERNIERA INFERIORE	
15	095654	548R13200	GASKET DRAWER 1/3	GUARNIZ.CASS.1/3	
<b>16</b>	<b>096133</b>	<b>833R40801</b>	<b>1/3 DRAW+GUIDES (WITHOUT FRONTAL)</b>	<b>ASS.INVOLUCRO CASSETTO+GUIDE</b>	
17	09A1PF	503R07000	LEFT SLIDING GUIDE	GUIDA SCORREVOLE SX	Up to 2025/03
<b>17</b>	<b>09A21P</b>	<b>0503R03P00</b>	<b>LEFT SLIDING GUIDE</b>	<b>GUIDA SCORREVOLE SX</b>	<b>From 2025/04</b>
18	09A1PG	503R07100	RIGHT SLIDING GUIDE	GUIDA SCORREVOLE DX	Up to 2025/03
<b>18</b>	<b>09A21Q</b>	<b>0503R03R00</b>	<b>RIGHT SLIDING GUIDE</b>	<b>GUIDA SCORREVOLE DX</b>	<b>From 2025/04</b>
19	095365	875R33501	CROSSBEAM ASSEMBLY - DRAWERS	TRAVERSA CASSETTO 1/ E 1/2 TN	CL only refrigerated - up to 2019/13 - Replaced by pos. 35
19a	095366	835R53802	FOAM PILLAR ASS. - DRAWERS	TRAVERSA CASSETTO 1/ E 1/2 BT	CL only freezer
20	095552	543R18901	PLASTIC PILLAR PLUG RIGHT/LEFT	TAPPO TRAVERSA DX E SX	CL only refrigerated
<b>21</b>	<b>096134</b>	<b>833R41000</b>	<b>1/3 SUPPORT +GUIDE ASSEMBLY</b>	<b>SUPPORTO TELAIO DX E SX CASS.1/3</b>	
23	095267	832R23300	RIGHT SUPPORT DRAWERS 1/3	CARRELLO DX PER MOD.CASSETTI	Up to 2025/03
<b>23</b>	<b>09A204</b>	<b>855R0BX00</b>	<b>RIGHT SUPPORT DRAWERS 1/3</b>	<b>CARRELLO DX PER MOD.CASSETTI</b>	<b>From 2025/04</b>
24	095266	832R23200	LEFT SUPPORT DRAWERS 1/3	CARRELLO SX PER MOD.CASSETTI	Up to 2025/03
<b>24</b>	<b>09A203</b>	<b>855R0BW00</b>	<b>LEFT SUPPORT DRAWERS 1/3</b>	<b>CARRELLO SX PER MOD.CASSETTI</b>	<b>From 2025/04</b>
<b>25</b>	<b>097076</b>	<b>835R64000</b>	<b>FOAMED FRONT DRAW. 1/3 APX</b>	<b>ASS.CASS.1/3 SCHIUMATO</b>	<b>CL</b>
27	095655	548R13100	GASKET DRAWER 1/2	GUARNIZ.CASS.1/2 TAV NGC H700	
28	095873	833R40700	1/2 DRAW+GUIDES	INVOLUCRO CON GUIDE	
<b>29</b>	<b>096136</b>	<b>833R40900</b>	<b>1/2 SUPPORT +GUIDE ASSEMBLY</b>	<b>SUPP. TELAIO DX E SX CASS.1/2-2/3</b>	
30	095833	835R63902	FOAMED FRONT DRAW. 1/2 APX	ASS.CASS.1/2 SCHIUM. APX	CL
31	095656	548R13700	GASKET DRAWER 2/3	GUARNIZ.CASS.2/3 TAV NGC H650	
32		835R67000	2/3 FOAMED DRAWER ASSEMBY H650	ASS.CASS.2/3 SCHIUM. APX	CL
<b>33</b>	<b>096128</b>	<b>835R70401</b>	<b>FOAMED DOOR ASSEMBLY H650 BL</b>	<b>PORTA SCHIU. CON GUARNIIONE BL</b>	<b>BL</b>
<b>34</b>	<b>096131</b>	<b>835R70501</b>	<b>1/2 FO. DRAWER ASSEMBLY BL H650</b>	<b>ASS.CASS.1/2 SCHIUMATO</b>	<b>BL</b>
<b>35</b>	<b>096130</b>	<b>835R70800</b>	<b>CROSSBEAM ASSEMBLY - DRAWERS</b>	<b>TRAVERSA CASSETTO TN</b>	<b>BL</b>
<b>36</b>	<b>096132</b>	<b>835R70601</b>	<b>1/3 FO. DRAWER ASSEMBLY BL H650</b>	<b>ASS.CASS.1/3 SCHIUMATO</b>	<b>BL</b>
<b>37</b>	<b>096135</b>	<b>835R70700</b>	<b>2/3 FO. DRAWER ASSEMBLY BL H650</b>	<b>ASS.CASS.2/3 SCHIUMATO</b>	<b>BL</b>

\* = On demand

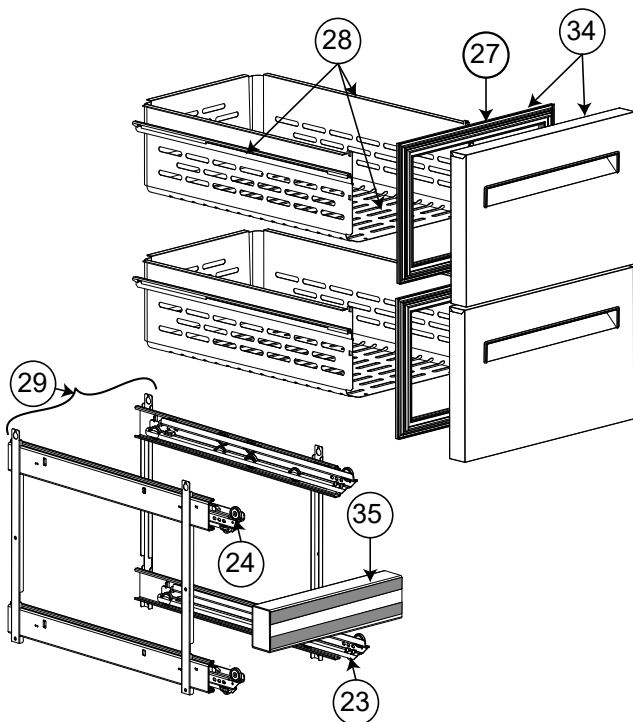
**BL H650  
DOOR**



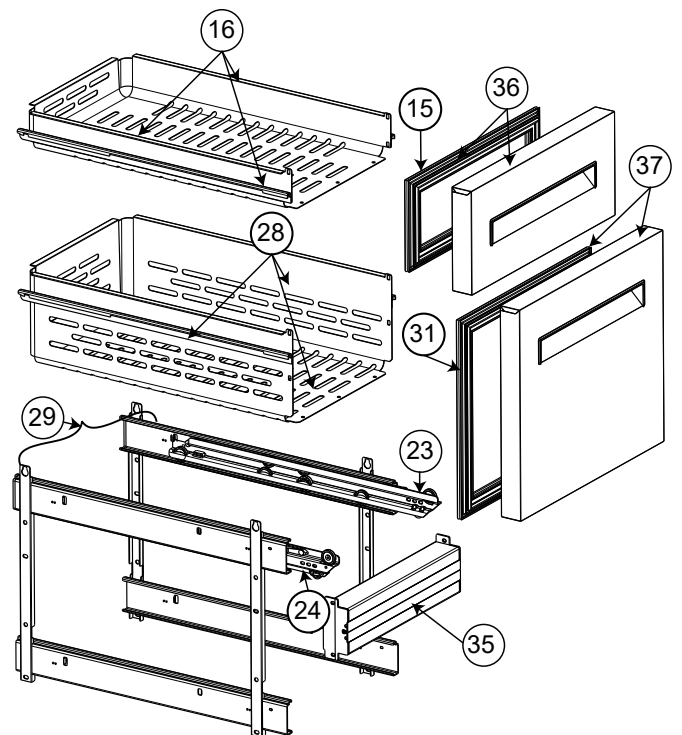
**BLH650  
DRAW.1/3**



**BLH650  
DRAW.1/2**

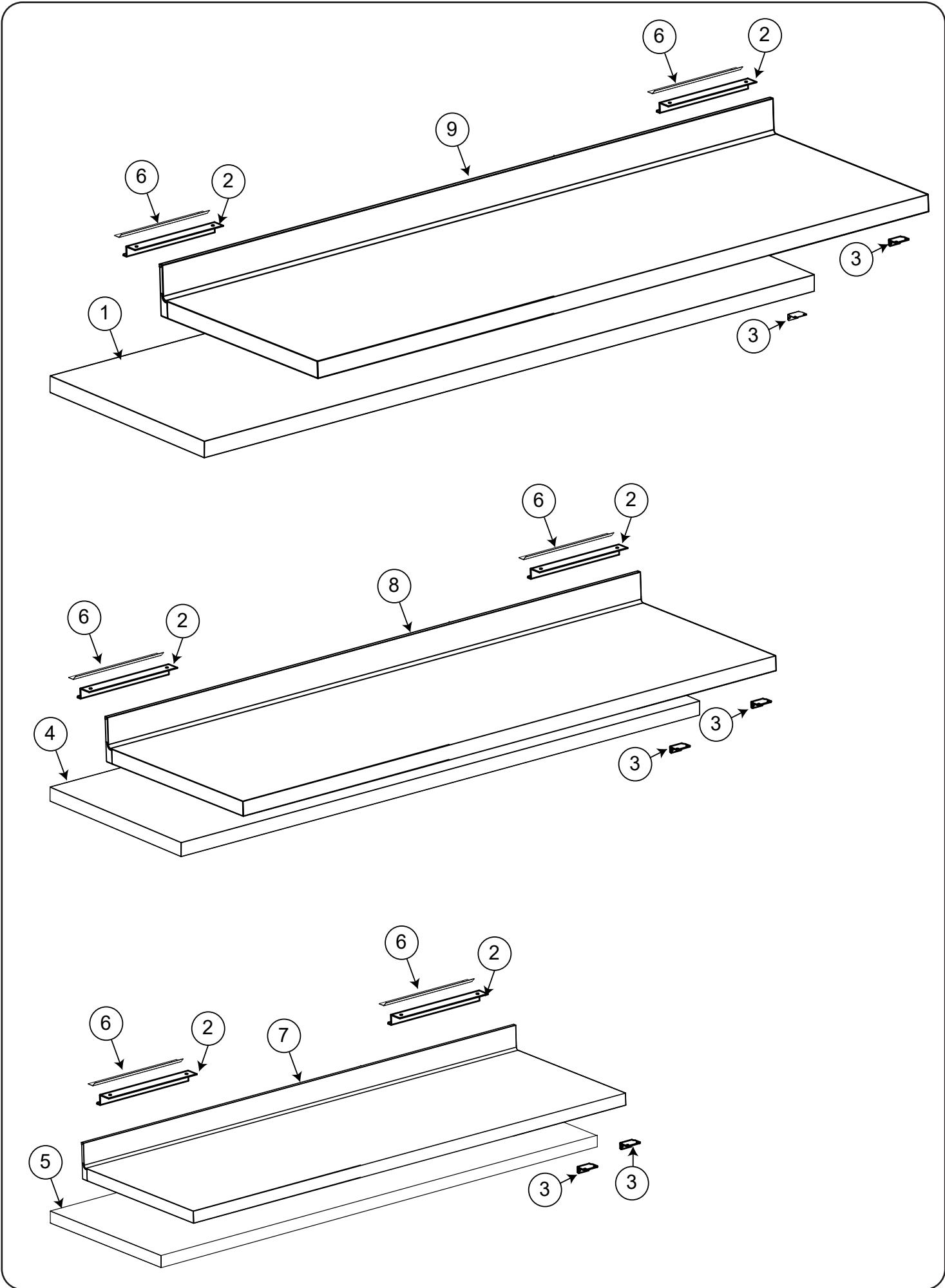


**BL H650  
DRAW.Bottle**



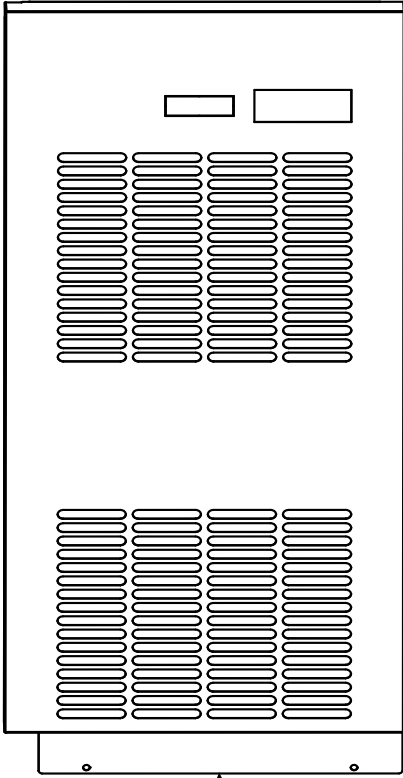
Pos	Code	Factory code	Description	Descrizione	Ref/notes
reference pag. 5-6					
Doors and Drawers				Porta e Cassetti	
1	095832	835R63802	FOAMED D. ASSEMBLY H700 apx/zan	PORTA SCHIU. CON GUARNI.APX_ZAN	CL Apx
2	095657	548R11400	MAGNETIC GASKET H650	GUARNIZIONE PORTA	
3	095227	503R09702	FRONT SUPPORT GRIDS H700	FRONTALE SUPPORTO GUIDE	
4	095228	502R84601	LEFT GUIDE FOR SHELF	GUIDA A "C" SX TAV NGC H700/H650	
5	095229	502R84701	RIGHT GUIDE FOR SHELF	GUIDA A "C" DX TAV NGC H700/H650	
6	095231	514R23500	SHELF	GRIGLIA RILSAN TAVOLO H650/H700	
7	095326	505R23702	LOWER HINGE H650/H700	CERNIERA INFERIORE	
8	095327	505R23803	UPPER HINGE H650/H700	CERNIERA SUPERIORE	
9	087667	514746701	PIN FOR DOOR	PERNO PER CERNIERA INFERIORE	
10	089146	800735200	DOOR OPENING END COURSE	PIASTRINA FERMO BATTUTA PORTA	
11	081807	549700000	UPPER DOOR BUSH	BOCCOLA X CERNIERA SUPERIORE	
11a	087955	549703000	LOWER DOOR BUSH	BOCCOLA X CERNIERA INFERIORE	
15	095654	548R13200	GASKET DRAWER 1/3	GUARNIZ.CASS.1/3	
<b>16</b>	<b>096133</b>	<b>833R40801</b>	<b>1/3 DRAW+GUIDES (WITHOUT FRONTAL)</b>	<b>ASS.INVOLUCRO CASSETTO+GUIDE</b>	
17	09A1PF	503R07000	LEFT SLIDING GUIDE	GUIDA SCORREVOLE SX	Up to 2025/03
<b>17</b>	<b>09A21P</b>	<b>0503R03P00</b>	<b>LEFT SLIDING GUIDE</b>	<b>GUIDA SCORREVOLE SX</b>	<b>From 2025/04</b>
18	09A1PG	503R07100	RIGHT SLIDING GUIDE	GUIDA SCORREVOLE DX	Up to 2025/03
<b>18</b>	<b>09A21Q</b>	<b>0503R03R00</b>	<b>RIGHT SLIDING GUIDE</b>	<b>GUIDA SCORREVOLE DX</b>	<b>From 2025/04</b>
19	095365	875R33501	CROSSBEAM ASSEMBLY - DRAWERS	TRAVERSA CASSETTO 1/ E 1/2 TN	CL only refrigerated - up to 2019/13 - Replaced by pos. 35
19a	095366	835R53802	FOAM PILLAR ASS. - DRAWERS	TRAVERSA CASSETTO 1/ E 1/2 BT	CL only freezer
20	095552	543R18901	PLASTIC PILLAR PLUG RIGHT/LEFT	TAPPO TRAVERSA DX E SX	CL only refrigerated
<b>21</b>	<b>096134</b>	<b>833R41000</b>	<b>1/3 SUPPORT +GUIDE ASSEMBLY</b>	<b>SUPPORTO TELAIO DX E SX CASS.1/3</b>	
23	095267	832R23300	RIGHT SUPPORT DRAWERS 1/3	CARRELLO DX PER MOD.CASSETTI	Up to 2025/03
<b>23</b>	<b>09A204</b>	<b>855R0BX00</b>	<b>RIGHT SUPPORT DRAWERS 1/3</b>	<b>CARRELLO DX PER MOD.CASSETTI</b>	<b>From 2025/04</b>
24	095266	832R23200	LEFT SUPPORT DRAWERS 1/3	CARRELLO SX PER MOD.CASSETTI	Up to 2025/03
<b>24</b>	<b>09A203</b>	<b>855R0BW00</b>	<b>LEFT SUPPORT DRAWERS 1/3</b>	<b>CARRELLO SX PER MOD.CASSETTI</b>	<b>From 2025/04</b>
<b>25</b>	<b>097076</b>	<b>835R64000</b>	<b>FOAMED FRONT DRAW. 1/3 APX</b>	<b>ASS.CASS.1/3 SCHIUMATO</b>	<b>CL</b>
27	095655	548R13100	GASKET DRAWER 1/2	GUARNIZ.CASS.1/2 TAV NGC H700	
28	095873	833R40700	1/2 DRAW+GUIDES	INVOLUCRO CON GUIDE	
<b>29</b>	<b>096136</b>	<b>833R40900</b>	<b>1/2 SUPPORT +GUIDE ASSEMBLY</b>	<b>SUPP. TELAIO DX E SX CASS.1/2-2/3</b>	
30	095833	835R63902	FOAMED FRONT DRAW. 1/2 APX	ASS.CASS.1/2 SCHIUM. APX	CL
31	095656	548R13700	GASKET DRAWER 2/3	GUARNIZ.CASS.2/3 TAV NGC H650	
32		835R67000	2/3 FOAMED DRAWER ASSEMBY H650	ASS.CASS.2/3 SCHIUM. APX	CL
<b>33</b>	<b>096128</b>	<b>835R70401</b>	<b>FOAMED DOOR ASSEMBLY H650 BL</b>	<b>PORTA SCHIU. CON GUARNIIONE BL</b>	<b>BL</b>
<b>34</b>	<b>096131</b>	<b>835R70501</b>	<b>1/2 FO. DRAWER ASSEMBLY BL H650</b>	<b>ASS.CASS.1/2 SCHIUMATO</b>	<b>BL</b>
<b>35</b>	<b>096130</b>	<b>835R70800</b>	<b>CROSSBEAM ASSEMBLY - DRAWERS</b>	<b>TRAVERSA CASSETTO TN</b>	<b>BL</b>
<b>36</b>	<b>096132</b>	<b>835R70601</b>	<b>1/3 FO. DRAWER ASSEMBLY BL H650</b>	<b>ASS.CASS.1/3 SCHIUMATO</b>	<b>BL</b>
<b>37</b>	<b>096135</b>	<b>835R70700</b>	<b>2/3 FO. DRAWER ASSEMBLY BL H650</b>	<b>ASS.CASS.2/3 SCHIUMATO</b>	<b>BL</b>

\* = On demand

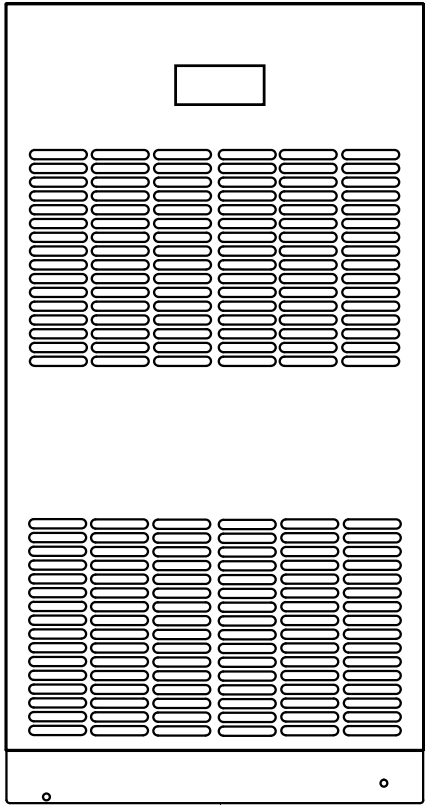


Pos	Code	Factory code	Description	Descrizione	Ref/notes
reference pag.8					
			Worktop	Top	
1	095560	881R58702	WORKTOP MODULE 4C H50 "R-L"	TOP 4 VANI H 50 DX-SX	c f (without S.back)
2		503R99200	SHELF REAR RETAINER COUNTER	GANCIO PER RIPIANO	
3	095330	505R25301	BRACKET SHELF	STAFFA PER RIPIANO	
4	095561	881R41203	WORKTOP MODULE 3C H50 "R-L"	TOP 3 VANI H 50 DX-SX	b e (without S.back)
5	095563	881R40703	WORKTOP MODULE 2C H50 "R-L"	TOP 2 VANI H 50 DX-SX	a d (without S.back)
6	093186	505751500	HOOK FOR TOP ON THE COUNTER	FISSAGGIO RIPIANO AL TAVOLO	
7		882R09501	WOR. MODULE WITH S.BACK 2C "R-L"	TOP CON ALZATINA 2 VANI DX-SX	a d (whit S.back)
8		882R09601	WOR. A MODULE WITH S/BACK "R-L"	TOP CON ALZATINA 3 VANI DX-SX	b e (whit S.back)
9		882R09701	WOR. MODULE WITH S.BACK 4C "R-L"	TOP CON ALZATINA 4 VANI DX-SX	c f (whit S.back)
10					
11					

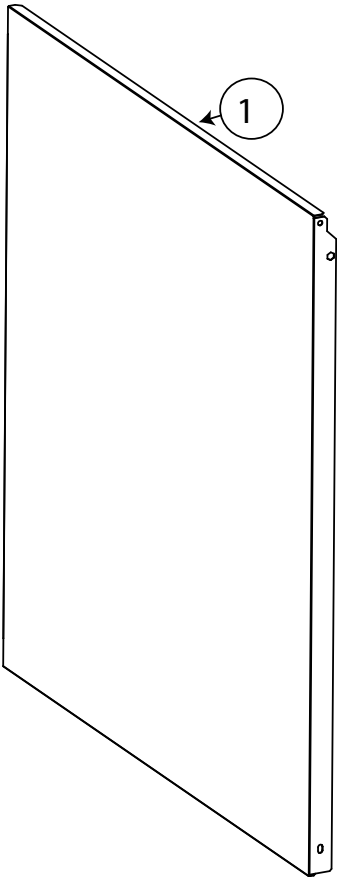
ALPENINOX  4



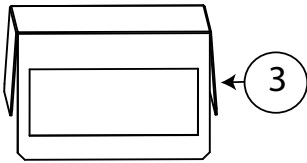
2



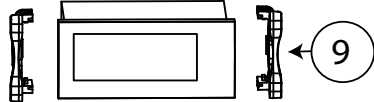
11



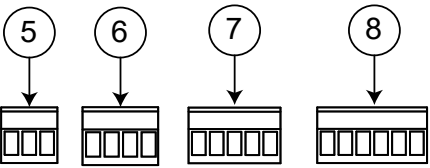
1



3



9



5

6

7

8



12



10



13



14

Pos	Code	Factory code	Description	Descrizione	Ref/notes
reference pag.10					
Control panel			Pannello di controllo		
1	096633	503R63800	EXTERNAL SIDE PANEL CL/BL H650	PANNELLO ESTERNO A430	CL/BL
2	<b>095632</b>	<b>509R21701</b>	<b>CTRL PANEL APX GLUED IR33 "L"</b>	<b>PANNELLO CONTROLLO APX</b>	<b>CL apx</b>
3	095565	0503R68400	IR33 COVER COUNTERS C.L.	COPERTURA CONTROLLORE	
4	095634	0755R14200	ADHESIVE DECOR C.L APX	MASCHERINA SERIGRAFATA APX	CL apx
5	088998	0639722900	CONNECTOR MSTB 2.5/3 ST PASSO 5	CONETTORE PASS.5 MSTB 2.5/3 ST	
6	091682	0639R04400	CONNECTOR MSTB 2.5/4 ST PASSO 5	CONETTORE PASS.5 MSTB 2.5/4 ST	
7	*	0639725900	CONNECTOR MSTB 2.5/5 ST PASSO 5	CONETTORE PASS.5 MSTB 2.5/5 ST	
8	095244	0639723400	CONNECTOR MSTB 2.5/6 ST PASSO 5	CONETTORE PASS.5 MSTB 2.5/6 ST	
9	<b>093532</b>	<b>0646R10803</b>	<b>TERMOREGOLAT. IR33 IMEL1J0559</b>	<b>CONTROLLORE IR33</b>	<b>3 relays - Up to 2023/16 order KIT 097750, see TB VTX2023_08</b>
9	<b>097579</b>	<b>855R18401</b>	<b>TERMOREGOLAT. IJF SMALL</b>	<b>CONTROLLORE IJF SMALL</b>	<b>From 2023/17 Up to 2024/19</b>
9	<b>09A1NM</b>	<b>855R0BY00</b>	<b>TERMOREGOLAT. IJF SMALL</b>	<b>CONTROLLORE IJF SMALL</b>	<b>From 2024/20</b>
10	088197	0648725400	RELE' 62.83.8.230 16A/400V 3 SCAMBI	RELE' 62.83.8.230 16A/400V 3 SCAMBI	Used on drawer only
11	<b>096543</b>	<b>509R22401</b>	<b>CONTROL PANEL H650 GLUED "L-R"</b>	<b>PANNELLO CONTROLLO BL</b>	<b>BL</b>
12		<b>598R42202</b>	<b>ADHESIVE DECOR ELUX</b>	<b>MARCHIO ADESIVO ELECTROLUX</b>	<b>BL</b>
13		<b>598R42303</b>	<b>STICKER ALPENINOX BL</b>	<b>MARCHIO ADESIVO ALPENINOX</b>	<b>BL</b>
14		<b>598R42101</b>	<b>STICKER ZANUSSI BL</b>	<b>MARCHIO ADESIVO ZANUSSI</b>	<b>BL</b>
15					



